



DISCOVER CABINETRY

CABINET LINE



CLOSETS
ORGANIZED STORAGE

MADE IN USA



CLOSET ORGANIZED STORAGE

The best in daily home organization



Discover closets line simplifies the organization of spaces, from the bedroom closet to the garage.

Discover closets line offers a high-value solution for manufacturers and installers, since it will allow many more jobs to be carried out in the same period of time. **Discover closets line** are prefabricated in standard dimensions that will fit almost any space. They can be manufactured in any of our colours, eliminating the need to paint MDF closets, saving time and maximizing profitability.

Discover products can be trusted to withstand the wear and tear of everyday life.

Quality · Service · Simplicity and Efficiency

Discover closets line are designed and built to the highest standard of the industry. We source top quality raw materials domestically in North America and perform all the manufacturing also in the USA. Assuring in this way the quality of the final products.

Using European hardware, all our hinges, drawer guides and additional accessories are sourced from top Italian brands, which gives our closet cabinets the looks and feel of a leading product.

Discover closets line comply with the **TSCA Title VI EPA** rule and the **CARB ATCM Phase II** emission standards.

The fact we source our raw materials and manufacture 100% in the US, warranties excellent real lead times for initial purchases, and short response time when needed.

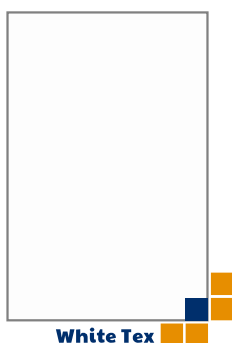
We build our **Discover closets line** with the installer and the builder in mind. **Our products are designed to reduce assembly and installation time**, at the same time we utilize smart hardware to simplify final set up.

CLOSETS

ORGANIZED STORAGE

SPECIFICATIONS

Door styles and finishes



 High Gloss is also available

If you are looking for a particular door color style or finish:

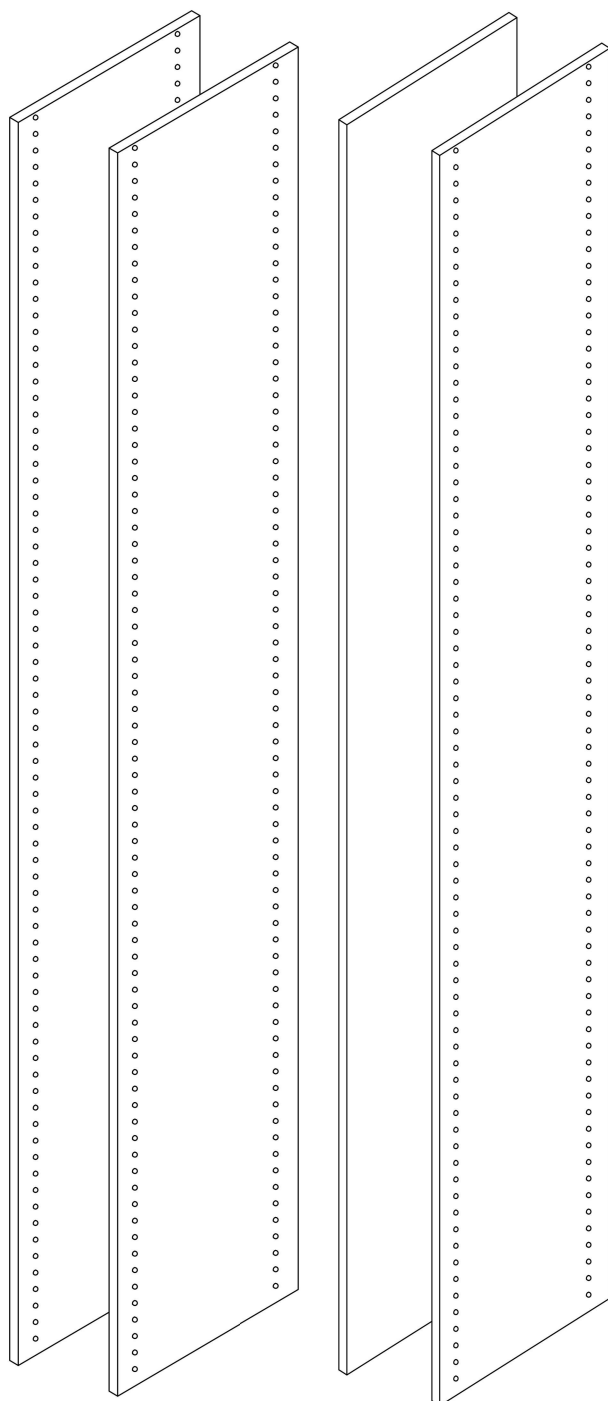
Write to us at: sales@discovercabinetry.com 800.861.2535

We will answer your questions in a personalized way.

CLOSETS

ORGANIZED STORAGE

Panels



Center Panel

End Panel

Center Panel

FEATURES

Made of 3/4" PB TFL for maximum strength.
1 mm edge banding that goes on one of the longer sides.

Internal and End Panel holes have a 5mm diameter and the space between holes is the standard 32 mm.

Internal Panels holes go all the way through the panel.

Internal and End Panels are available in White Tex. If you are looking for a particular color style or finish, contact the Sales Representative.

End Panel

FEATURES

Made of 3/4" PB TFL for maximum strength.

1 mm edge banding that goes on one of the longer sides.

Internal and End Panel holes have a 5mm diameter and the space between holes is the standard 32 mm.

End panels holes don't go all the way through the panel.

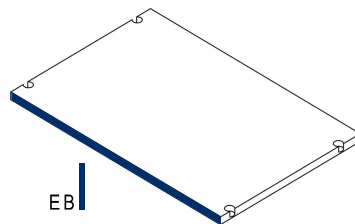
Internal and End Panels are available in White Tex. If you are looking for a particular color style or finish, contact the Sales Representative.

CLOSETS

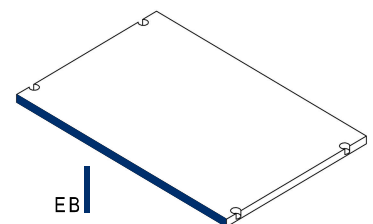
ORGANIZED STORAGE

Reveal

Top Reveal

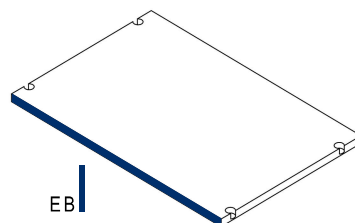


Bottom Reveal

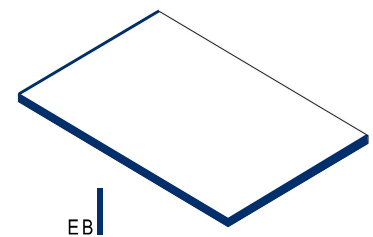


Divider . Shelves

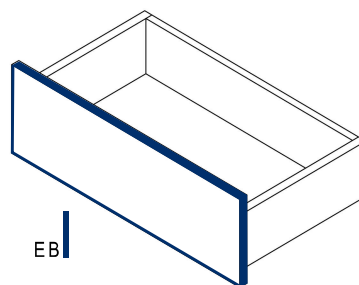
Horizontal divider



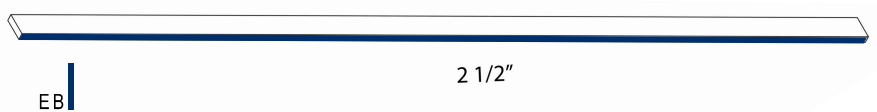
Shelves



Drawers



Toekick



CLOSETS

ORGANIZED STORAGE



Closet with hanging rods and shelves.



Closet with hanging rods, shelves, and drawers.



Closet with hanging rods, drawers and shelves.

CLOSETS

ORGANIZED STORAGE

Corner closet with hanging rods, drawers, shelves.



Closet with hanging rods, drawers, shelves and shoe racks.



Corner closet with hanging rods, drawers, shelves, and shoe racks



CLOSET CABINETS

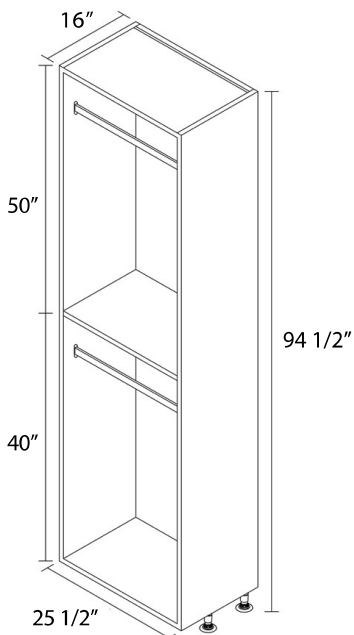
Frameless



DOUBLE HUNG

CL2594DH

25.5W X 16D X 94.5H

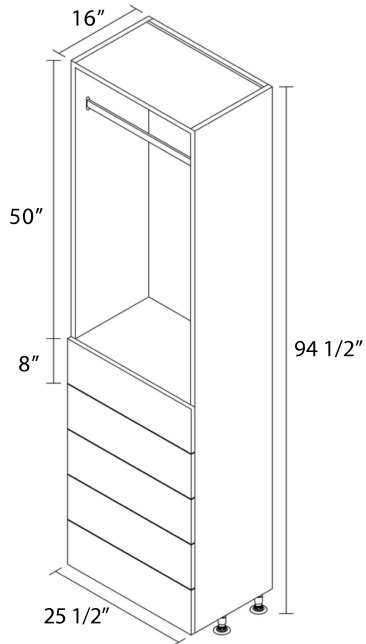


Futures

1. 3/8" PB TFL Cabinet Back increases durability and toughness.
2. All pieces are offered in 9 different designs readily available.
3. Center and end panels are matched with drawer fronts, eliminating the need of additional panels or laminate, reducing overall cost, and simplifying installation.
4. Adjustable plastic legs makes leveling a breeze and protects box from water leaks.
5. Adjustable Shelves to add versatility, made of 3/4" PB TFL to maximize strength.
6. Concealed High Quality Italian drawer runners with integrated soft-closing mechanism and 6-Way adjustment device for easy install and alignment.

CLOSET CABINETS

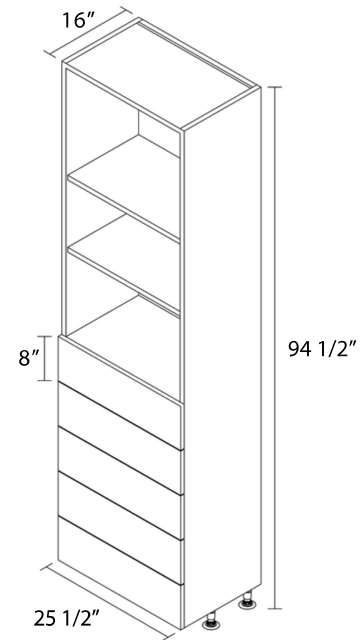
Frameless



DRAWERS • ROD

CL2594DR

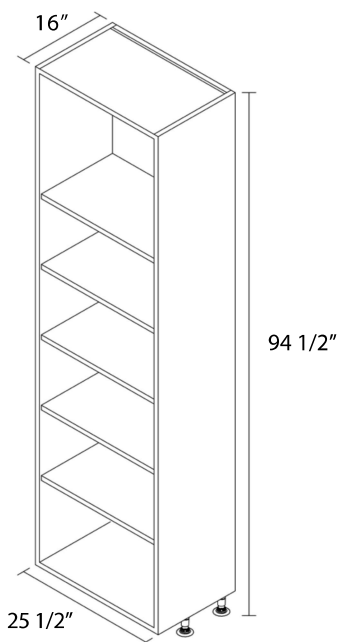
25.5W X 16D X 94.5H



DRAWERS • SHELVES

CL2594DS

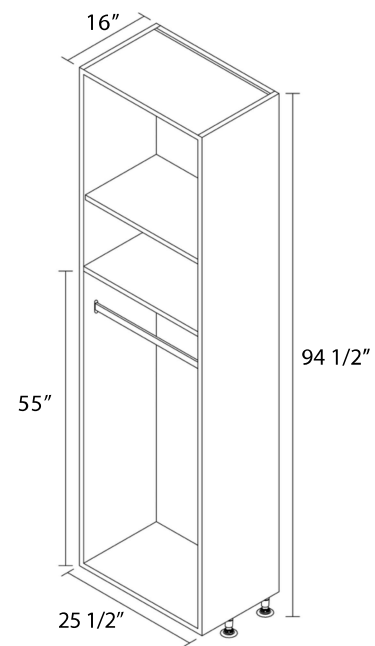
25.5W X 16D X 94.5H



FULL SHELVING

CL2594FS

25.5W X 16D X 94.5H



LONG HANGING

CL2594LH

25.5W X 16D X 94.5H



TSCA TITLE VI COMPLIANT

www.discovercabinetry.com   @discovercabinetry
Nashville, TN • Houston, TX