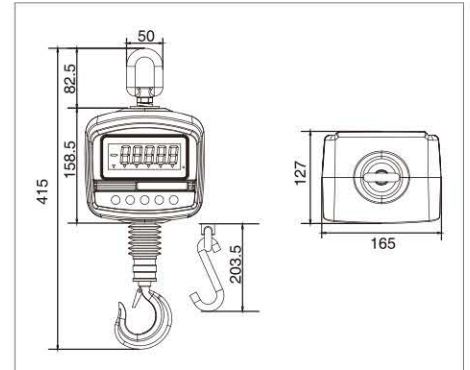


DR Crane Scales



Features

Meets the requirements of the standard EN 13155 (Non-fixed load lifting attachments/Breakage resistance) and EN 61010-1(Electrical safety)

Safety: Hook with safety catch, revolving, Shackle and safety catch made of nickel-plated steel

High mobility: rechargeable battery operation, compact, light weight construction, it is suitable for the use in several locations (production, ware house, dispatch department etc.)

Easy to read, big LCD display, digits high 25mm, with white color LED backlight

Function include: zero, tare, hold, change weighing

unit

Hold function: When the weighing value remains unchanged the weight indicated on the display is automatically "frozen" until the Hold key is pressed

Technical Data

Display: digit height 25 mm, bright backlight for easy reading of weighing results, even in poor lighting conditions

Dimensions: 165×127×415 mm

Power: scale: AC adapter (100~240VAC/12V500mADC), rechargeable battery

(lead acid battery 6V/1.2Ah, operating time up to 30 h without backlight, charging time approx. 14 h)

Remote controller: dry battery 12V size 23A

Operation temperature: -10 °C/40 °C

Accessories

- Remote controller, operation distance up to 30 m. All functions can be selected (excl. ON/OFF)
- Bluetooth interface, send data to computer or printer
- Rear display

Standard



Factory Option



Model	Weighing Capacity [Max]kg	Readability [d]g	Net weight approx. kg
DR-60k	60	10	2.0
DR-150k	150	20	2.2
DR-300k	300	50	2.2
DR-600k	600	100	2.4