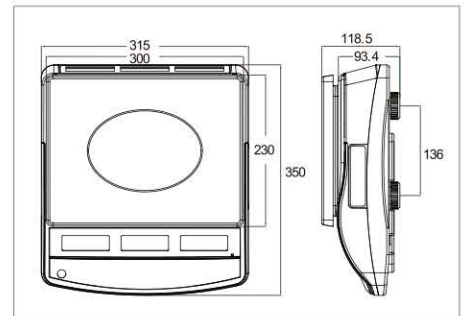


QHC/QHD PieceCounting Scales



Features

High mobility: rechargeable battery operation, compact, light weight construction, it is suitable for the use in several locations (production, warehouse, logistic department etc.)

Precise counting: The automatic reference weight optimization of reference weight gradually improves the average piece weight value

High precision: external resolution up to 1/60,000

Unit weight input or sample operation

Three displays for weight display (verifiable), reference weight, total pieces Counting results memory: adds up all individual piece counts, result is shown in total weight and total pieces

Audible Fill-to-target: target quantity or target weight can be programmed, e. g. for checkweighing. When

the target value is reached, a signal will sound PRE-TARE

function for manual subtraction of a known container weight, useful for checking fill-levels

Unit weight memory with item description, stored and shown on the display in clear text

Second platform interface to construct a high-resolution counting system (do sample operation at one scale, and do count operation at

operation time: 70 hours

Pan size: 230x300mm

Dimensions: 315x350x120 mm

Net weight: approx. 5.1 kg

Operation temperature : -10 °C/40 °C

Technical Data

Large backlit LCD displays, digit height 20 mm, with white color LED backlight

Power: AC adapter (100~240VAC/12V500mADC), recharge battery (lead acid battery 6V/4Ah), battery

Accessories

- RS-232 interface can connect to PC or printer.
- RS-232 cable for PC
- RS-232 cable for printer
- Mini printer
- Label printer

Standard



Factory Option



Model	Weighing Capacity [Max]kg	Readability [d]g	Verification value [e]g	Minimal load [Min]g	Smallest part weight g/piece
QHC/QHD-3k	3	0.1	-	2	0.05
QHC/QHD-6k	6	0.2	-	4	0.1
QHC/QHD-15k	15	0.5	-	10	0.25
QHC/QHD-30k	30	1	-	20	0.5
QHC+/QHD+-3k	3	0.05	-	1	0.025
QHC+/QHD+-6k	6	0.1	-	2	0.05
QHC+/QHD+-15k	15	0.2	-	4	0.1
QHC+/QHD+-30k	30	0.5	-	10	0.25
QHC-3k-M	3	1	1	20	0.5
QHC-6k-M	6	2	2	40	1
QHC-15k-M	15	5	5	100	2.5
QHC-30k-M	30	10	10	200	5