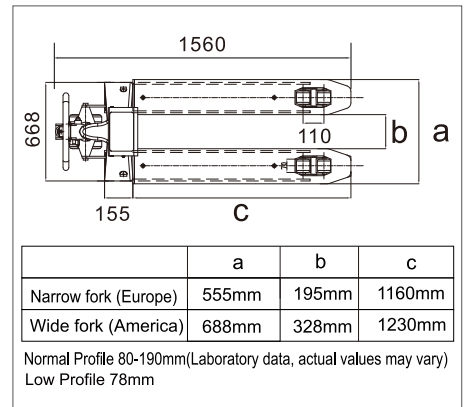


TPS Pallet truck Scale



Features

Integrated pallet truck and scale at one device, save time and cost

Function include: net/gross, change weighing unit, pretare, accumulation

Optional thermal printer, print width 50mm, speed up to 80mm/s

PRE-TARE function for manual deduction of a known container weight (e.g. pallet, mesh crate etc.)

Check the weighing capacity which is in use at the press of a button (net/gross weight)

85mm Low fork height, narrow (555mm) or wide (688mm) fork selectable

Pivot range 180°

Castors: Solid rubber on aluminum rims

3 Load rollers: Tandem tyres to overcome thresholds and obstacles more easily

Operation temperature: -10 °C/40 °C

Power: Rechargeable battery pack internal, Lead acid battery 6v/10Ah

Dimension: 1630x 555(688 for wide fork version) x 1210mm

Net weight: 160kg

Technical Data

Display: LCD display, digit height 52 mm with white color LED backlight

Accessories

- Optional thermal printer

Standard



Factory Option



Model	Weighing Capacity [Max]	Readability [d]	Verification value [e]	Minimal load [Min]
TPS-2	2000 kg	1 kg	-	20 kg
TPS-M	2000 kg	1 kg	1 kg	20 kg