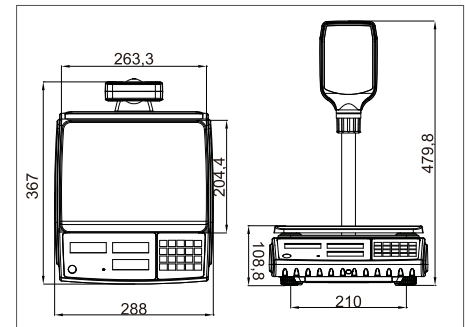
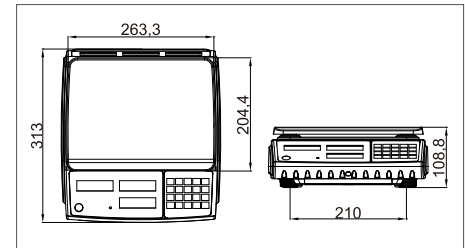


ZTP/ZSP Price Computing Scales



Features

- Modern, ergonomic design** and a housing which is even more compact, supporting efficient operation and saving space
- Easy to read:** 6 digits 15mm digits high LCD display, with white color LED backlight
- Easy to clean:** stainless steel pan
- High mobility:** AC adapter/rechargeable battery powered
- Different model selectable:** flat or pole display version selectable
- RS-232 interface:** Optional RS-232 interface, can connect to PC
- Different software versions** are available in order to meet different countries' regulation requirements.

- Like the weighing units of lb, 1/2lb, 1/4lb, kg, 100g and special
- Function** of accumulation, auto unit price clear and etc.
- Auto-clear-key:** Unit price entry is automatically set to zero when scale is unloaded
- 4 direct PLU , 10 indirect PLU**

Technical Data

- Display:** LCD display, 15mm digit, with white LED backlight
- Power:** AC adapter (100~240VAC/12V500mADC), rechargeable battery (lead acid battery 6V/3.2Ah)

- Dimensions :** 288×313×109 mm (ZTP)
288×367×480 mm (ZSP)
- Pan size:** 204×263mm
- Keyboard:** 20 membrane keys
- Net weight :** approx. 4.1 kg (ZTP)
approx. 4.5 kg (ZSP)
- Operation temperature:** -10°C/40°C

Accessories

- RS-232 interface
- RS-232 cable for PC
- RS-232 cable for ECR

Standard



Factory Option



Model	Weighing Capacity [Max]kg	Readability [d]g	Verification value [e]g	Minimal load [Min]g
ZTP/ZSP-3K-M	3	1	1	20
ZTP/ZSP-6K-M	6	2	2	40
ZTP/ZSP-15K-M	15	5	5	100
ZTP/ZSP-30K-M	30	10	10	200
ZTP/ZSP-6K-MR	6	1/2	1/2	20
ZTP/ZSP-15K-MR	15	5/10	5/10	100
ZTP/ZSP-30K-MR	30	1	1	20