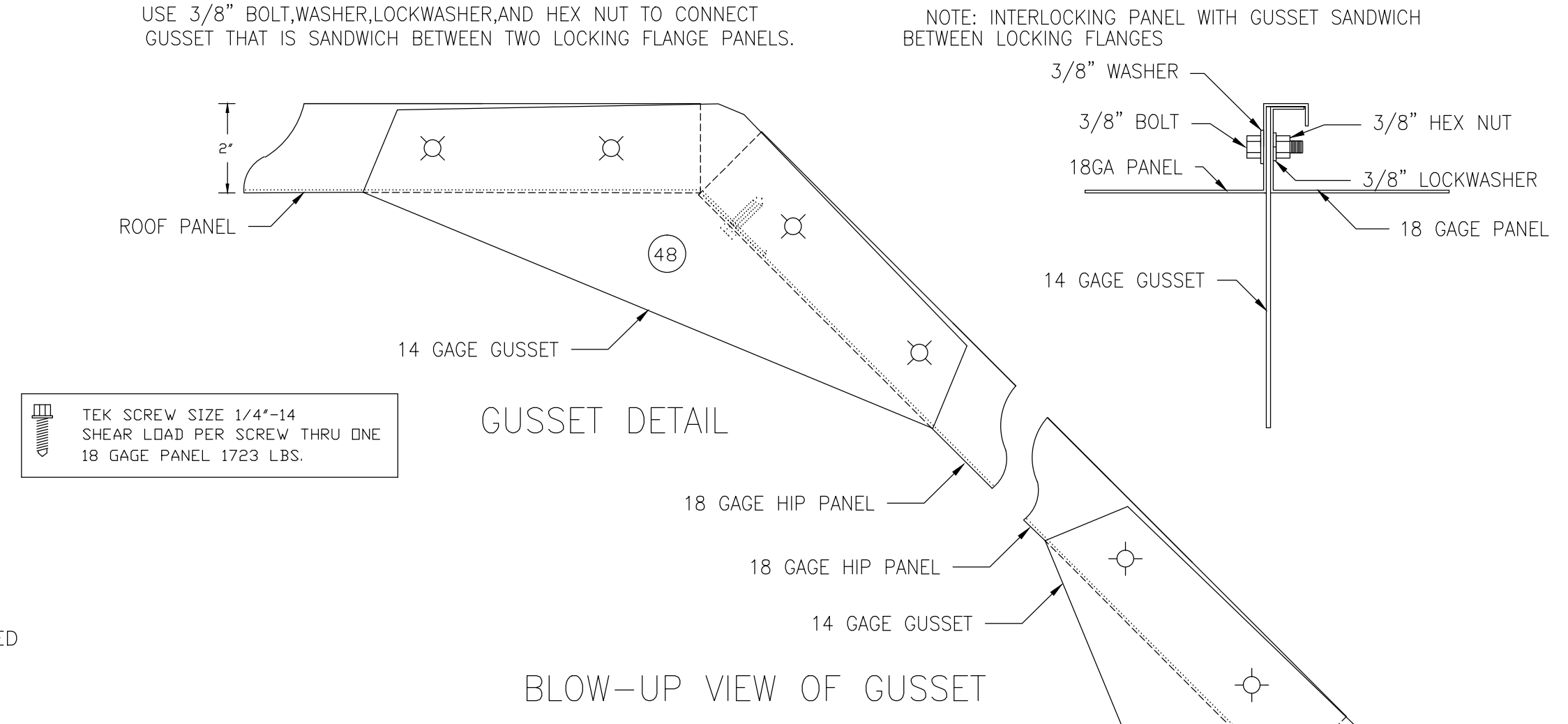
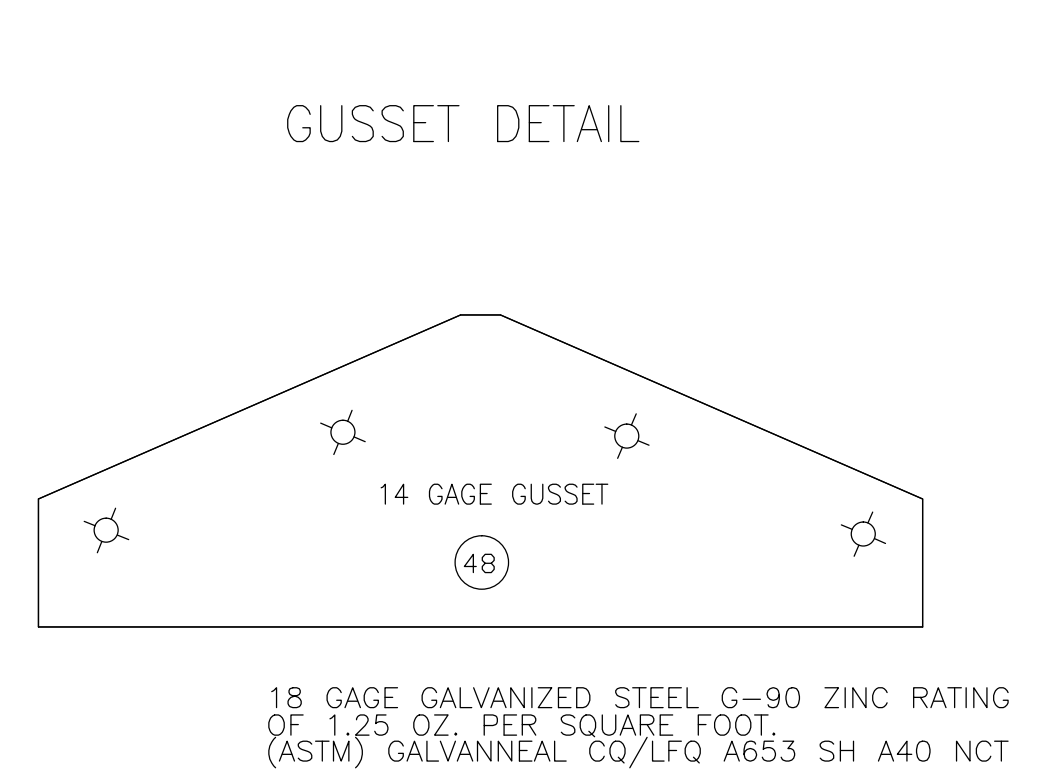
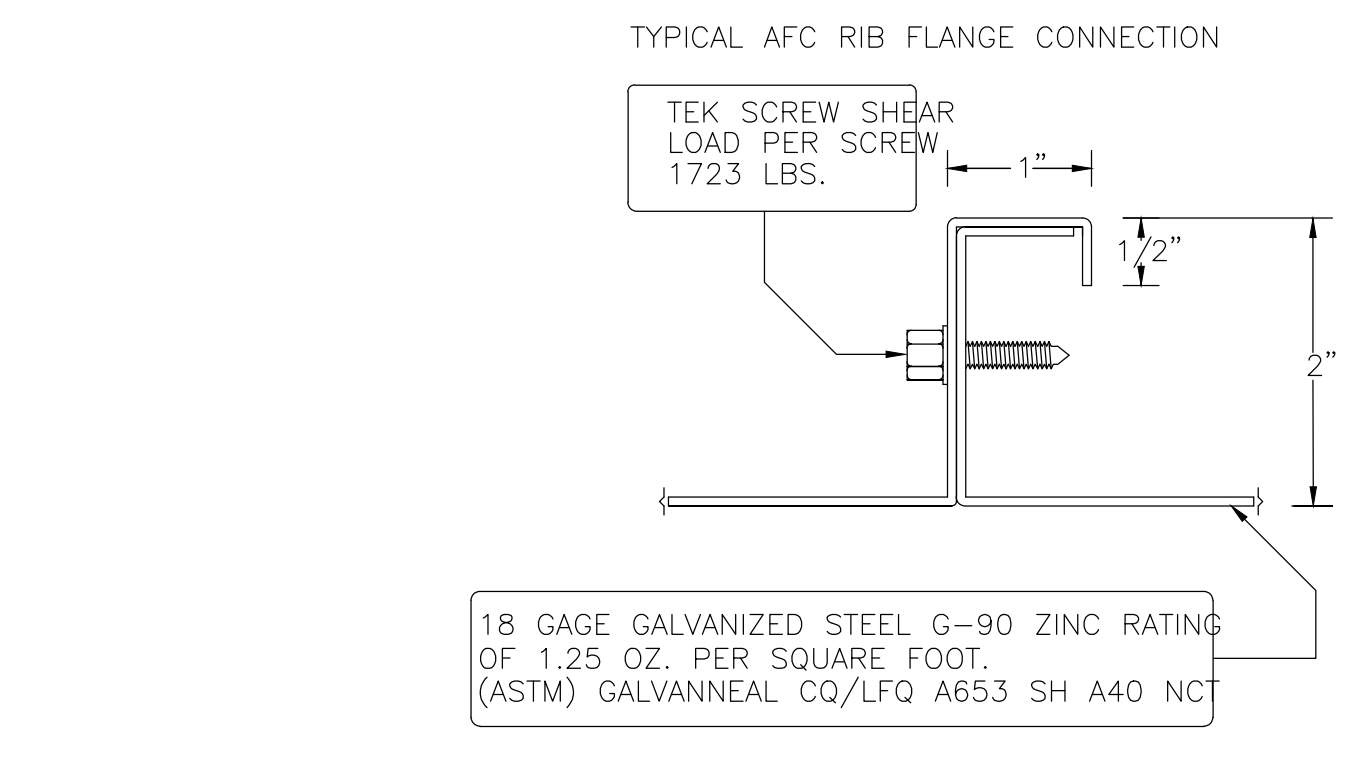
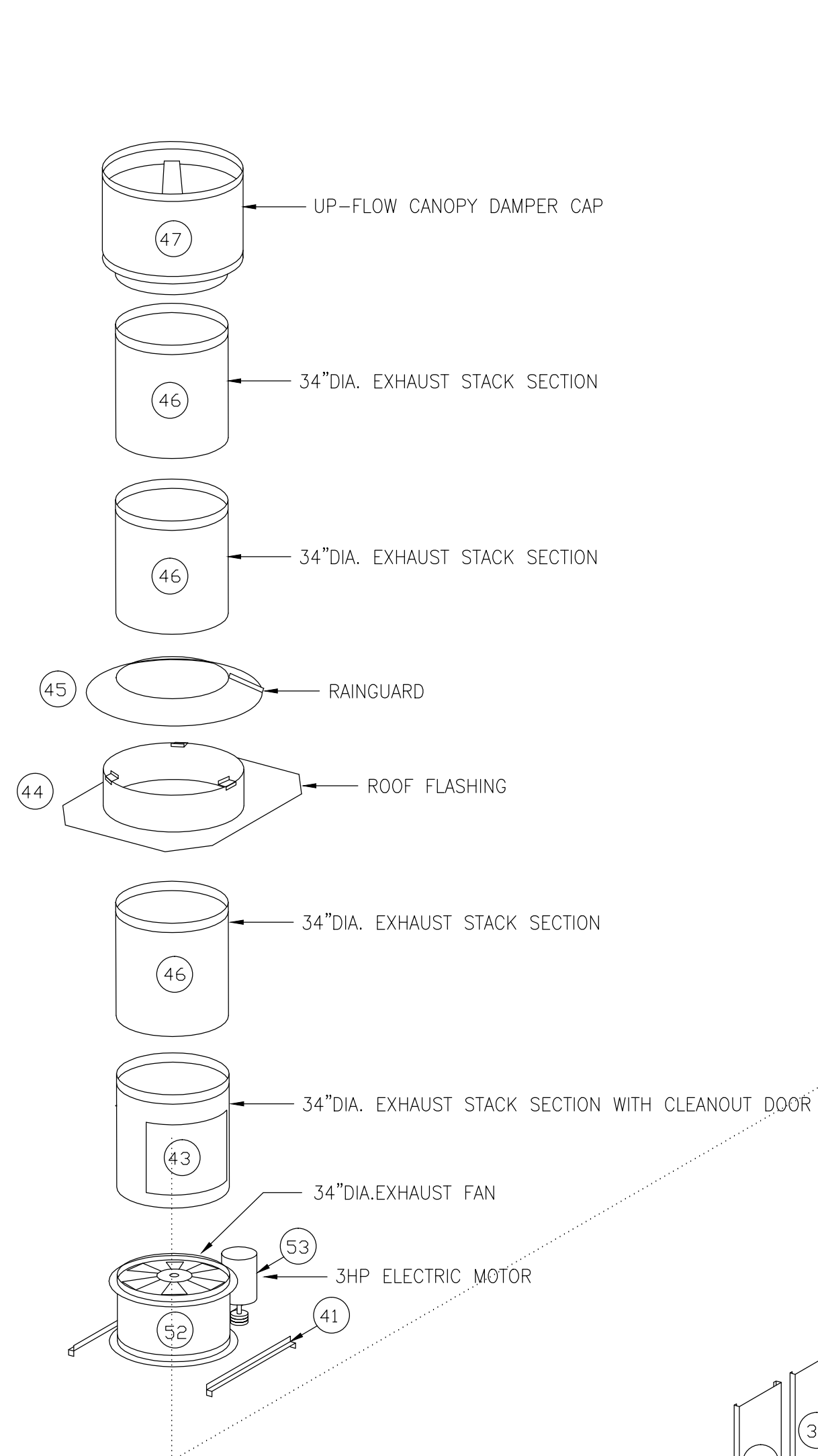


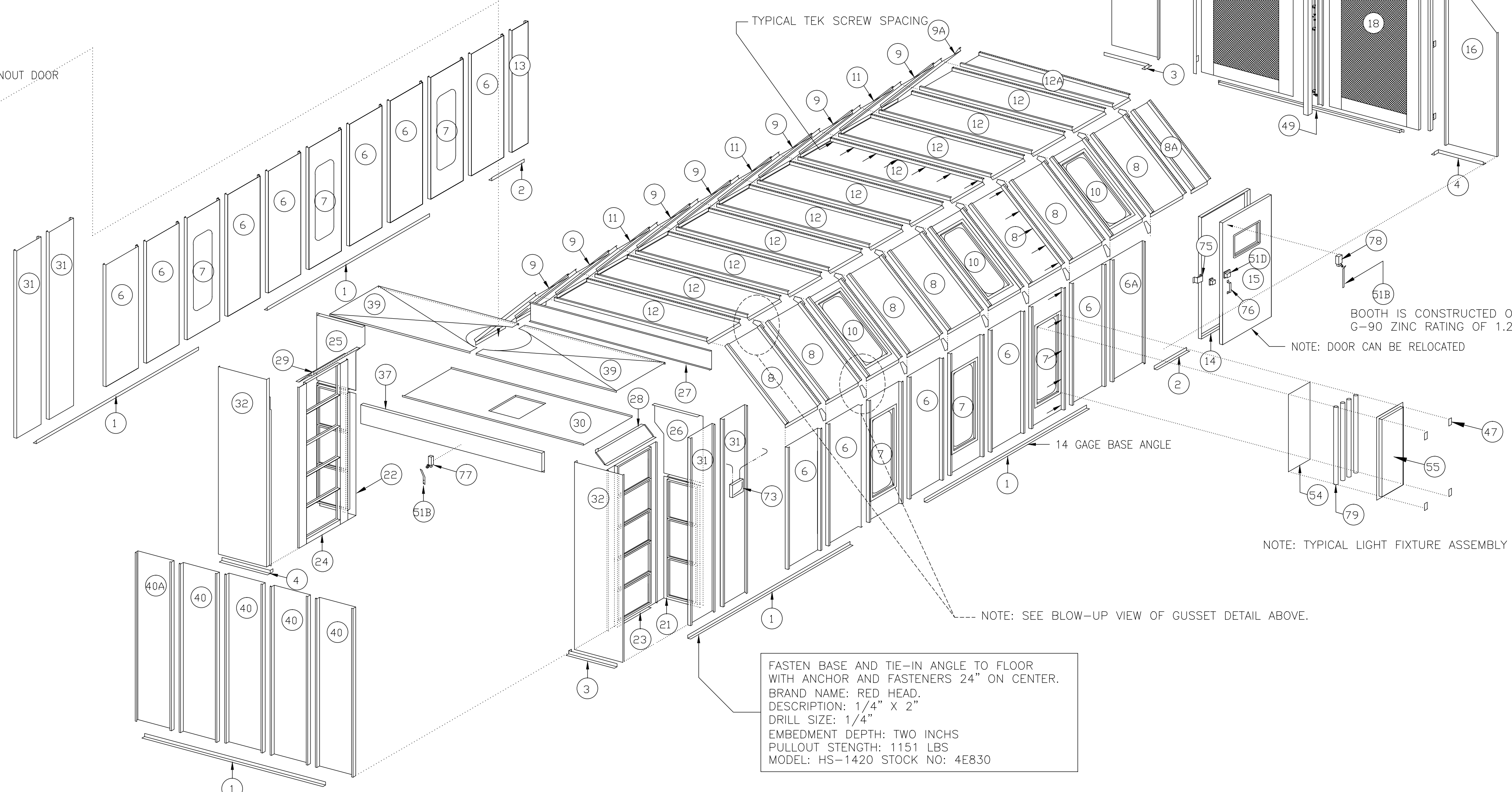
# STANDARD AIR-FLOW SPRAY BOOTH MODEL: ECFASA-2412



THIS BOOTH IS DESIGNED FOR CODE APPROVAL: ALL AFC MODELS ARE MANUFACTURED TO STANDARDS OF THE NATIONAL BOARD OF FIRE UNDERWRITERS FOR SPRAY BOOTHS RECOMMENDED BY THE NATIONAL FIRE PROTECTION ASSOCIATION. MOTORS: ALL MOTORS ARE NEMA RATED CLASS A OR B INSULATED. LIGHTS: ALL LIGHT ARE U.L. APPROVED LIMIT SWITCHES: ALL LIMIT SWITCHES ARE CLASS 1, DIVISION 2, OILTIGHT AND ARE U.L. LISTED. AIR VALES: AIR VALVES ARE NEMA TYPE 1, WITH SOLENOID ENCLOSURE.

EXHAUST FAN WITH NON-SPARKING BLADE. THE BLADE IS DRIVEN BY V-BELTS ENCLOSED IN A CYLINDER FOR MAXIMUM PROTECTION FROM THE AIR STREAM, WITH THE MOTOR BASE LOCATED OUTSIDE OF THE DUCT AREA. AIR VELOCITY OVER FACE OF BOOTH HAS A MINIMUM OF 100 LFPM.

BOOTH IS CONSTRUCTED OF 18 GAGE GALVANIZED STEEL G-90 ZINC RATING OF 1.25 OZ. PER SQUARE FOOT (ASTM) GALVANNEAL CQ/LFQ A653 SH A40 NCT



53993  
SPRAY APPLICATIONS  
USING FLAMMABLE  
AND COMBUSTIBLE  
MATERIALS  
CONFORMS TO NFPA STD.33

## BOOTH SPECIFICATIONS

- UNIT MODEL: ECFASA2412 (AUTO CROSSFLOW BOOTH)
- LENGTH= 24'-2" O.D. / 24'-0" I.D.
- WIDTH= 15'-6" O.D. / 15'-0" I.D.
- HEIGHT= 10'-0" O.D. / 9'-10" I.D.
- MAIN DOOR HEIGHT= 9'-0" TYPE: ( SWING )
- MAIN DOOR WIDTH= 10'-0"
- MAN DOOR HEIGHT= 83"
- MAN DOOR WIDTH= 35" INCLUDES OBSERVATION WINDOW
- CONTROL PANEL=(1) CP1 MANUAL CONTROL PANEL

## CONSTRUCTION

- 18 GA. G-90 GALVANIZED STEEL PANELS WITH "LOCKING" SEAL FLANGES.
- PANEL ASSEMBLY TYPE= 1/4" X 3/4" SELF-TAPPING SCREWS ON 12" CENTERS TYP.

## EXHAUST SPECIFICATIONS

- EXHAUST FAN TYPE= 1- 34" DIAMETER NON SPARKING BLADES
- MOTOR TYPE= 1) 3HP / 3 PHASE.
- VOLTAGE= 230 VOLT
- CFM RATING= 14,000 @ 1/2 STATIC PRESSURE
- MOTOR TYPE= 1) 3HP / 3 PHASE.
- INTAKE FILTERS= ONE SET SERIES 5000
- EXHAUST FILTERS= (16) FIBERGLASS GA20 20" X 25"

## LIGHTING SPECIFICATIONS

- LIGHT FIXTURE TYPE= AFC205 4-TUBE FLOURESCENT (LED LIGHT TUBES)
- VOLTAGE= STANDARD: 277/60 HRTZ. AMPACITY: .9 PER FIXTURE.
- QUANTITY= 12-EA. TOTAL
- TYPE = STANDARD OPEN = 10-EA. / CLASS 1 DIV.2 = 2-EA.

REV.	DESCRIPTION	DATE	BY



**AFC Finishing Systems**  
250 AIRPORT PARKWAY, OROVILLE, CA 95965  
(800) 331-7744 (530) 533-0179 (FAX)  
http://www.afc-ca.com email: sales@afc-ca.com

THIS DRAWING IS THE PROPERTY OF AFC FINISHING SYSTEMS AND IS NOT TO BE LOANED, COPIED OR DUPLICATED UNLESS IN DIRECT CONNECTION WITH AFC FINISHING SYSTEMS. ALL RIGHTS RESERVED. THIS DRAWING MUST BE RETURNED UPON REQUEST BY AFC FINISHING SYSTEMS.

DRAWN FOR:			
DESCRIPTION: STANDARD AIR-FLOW SPRAY BOOTH MODEL: ECFASA2412			
DRAWN BY: J.BARTON	CHECKED BY:	APPROVED BY:	DATE: 04/07/08
INSTALLED BY:	FIELD CHANGED BY:	SCALE: 48 OR 1/4"=1'	DRAWING NAME: ECFASA2412-ASSEMBLY