

# FLOOR FILTER BOOTH MODEL: EIBF1010X10



53993  
 SPRAY APPLICATIONS  
 USING FLAMMABLE  
 AND COMBUSTIBLE  
 MATERIALS  
 CONFORMS TO NFPA STD.33

## BOOTH SPECIFICATIONS

- MODEL= EIBF1010 FLOOR FILTER BOOTH, OPEN FACE-ETL LISTED
- LENGTH= 8'-2" O.D. / 6'-0" I.D.
- WIDTH= 10'-4" O.D./ 10'-0" I.D.
- HEIGHT= 11'-0" O.D. / 10'-0" I.D.

## EXHAUST SPECIFICATIONS

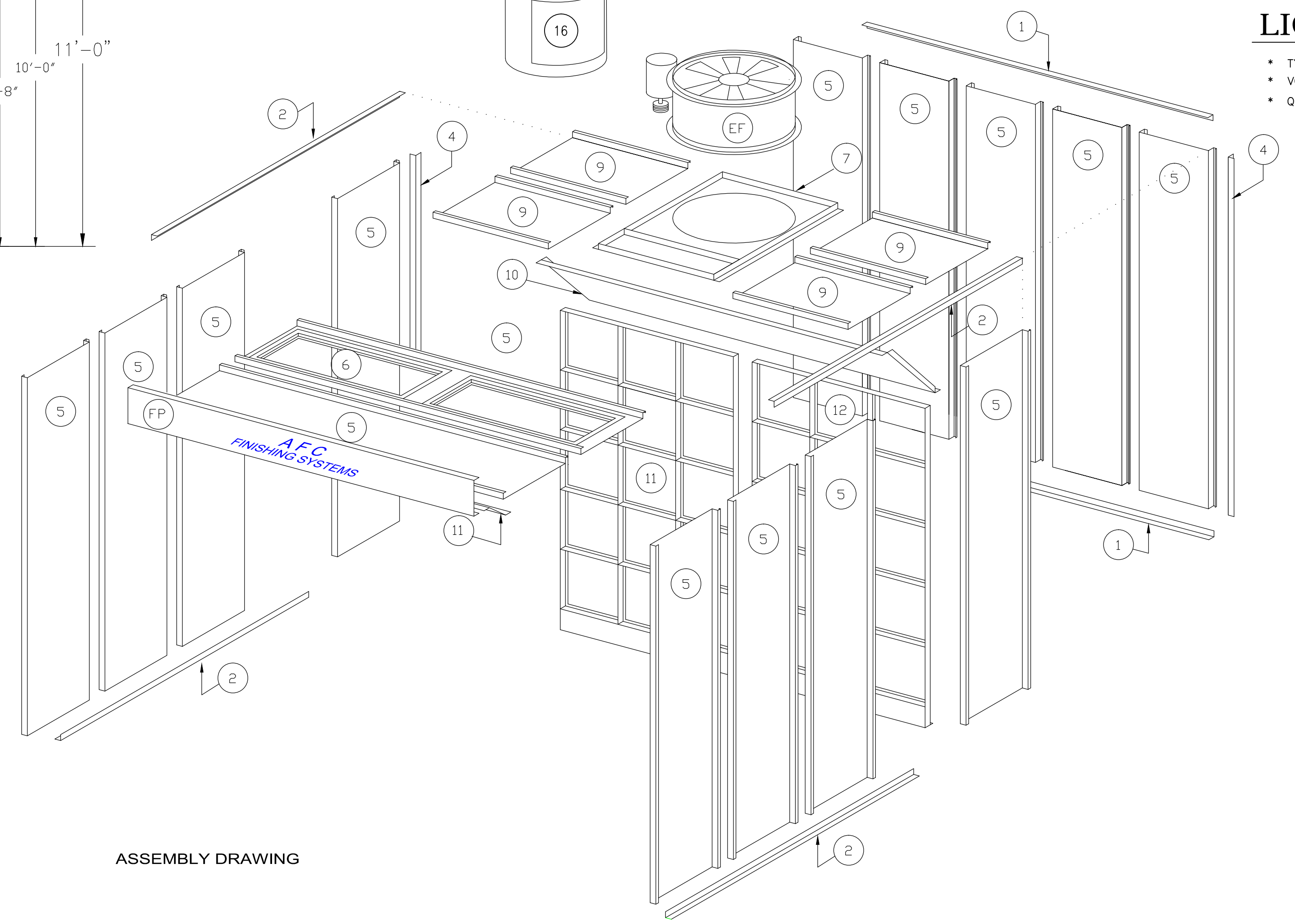
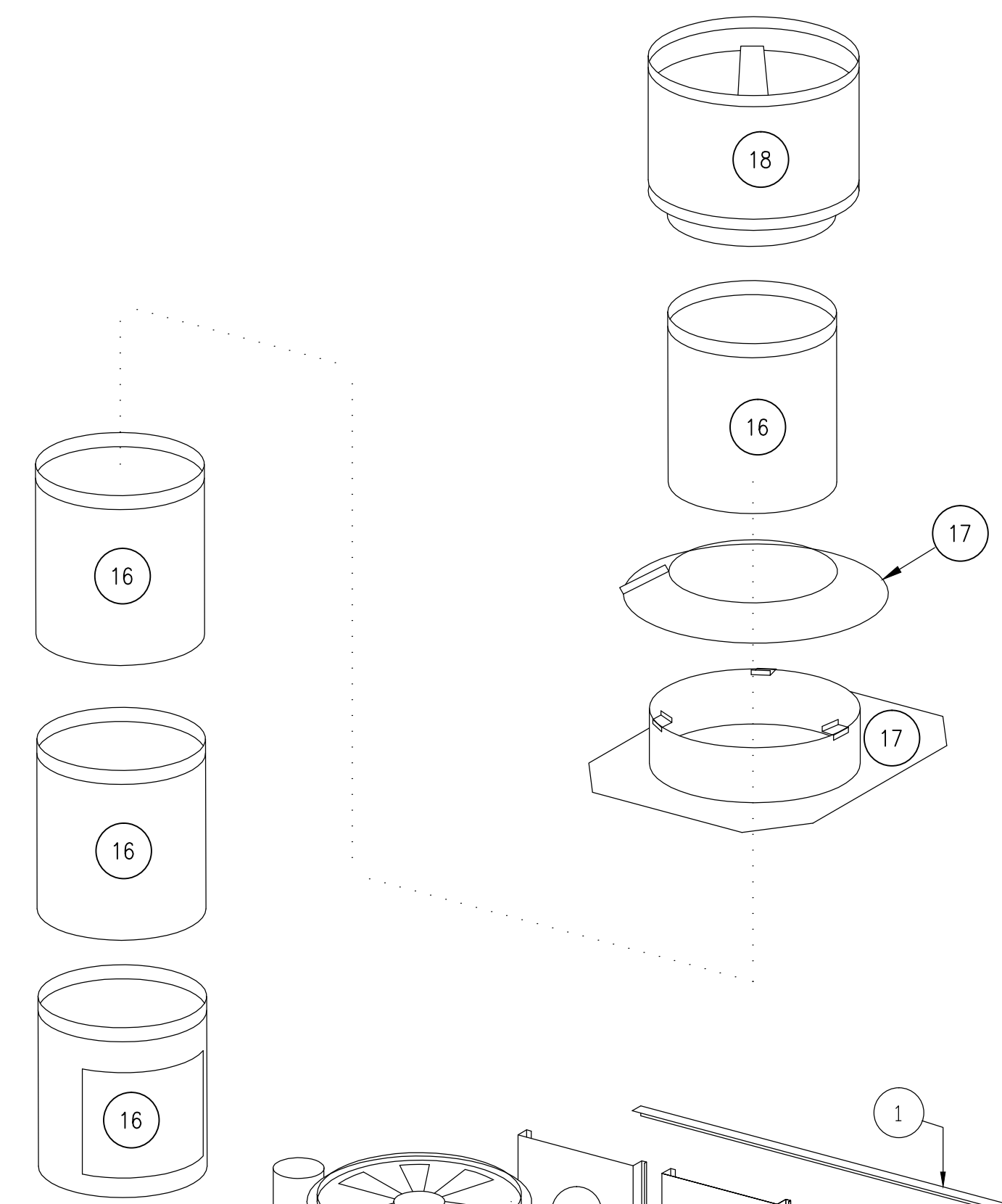
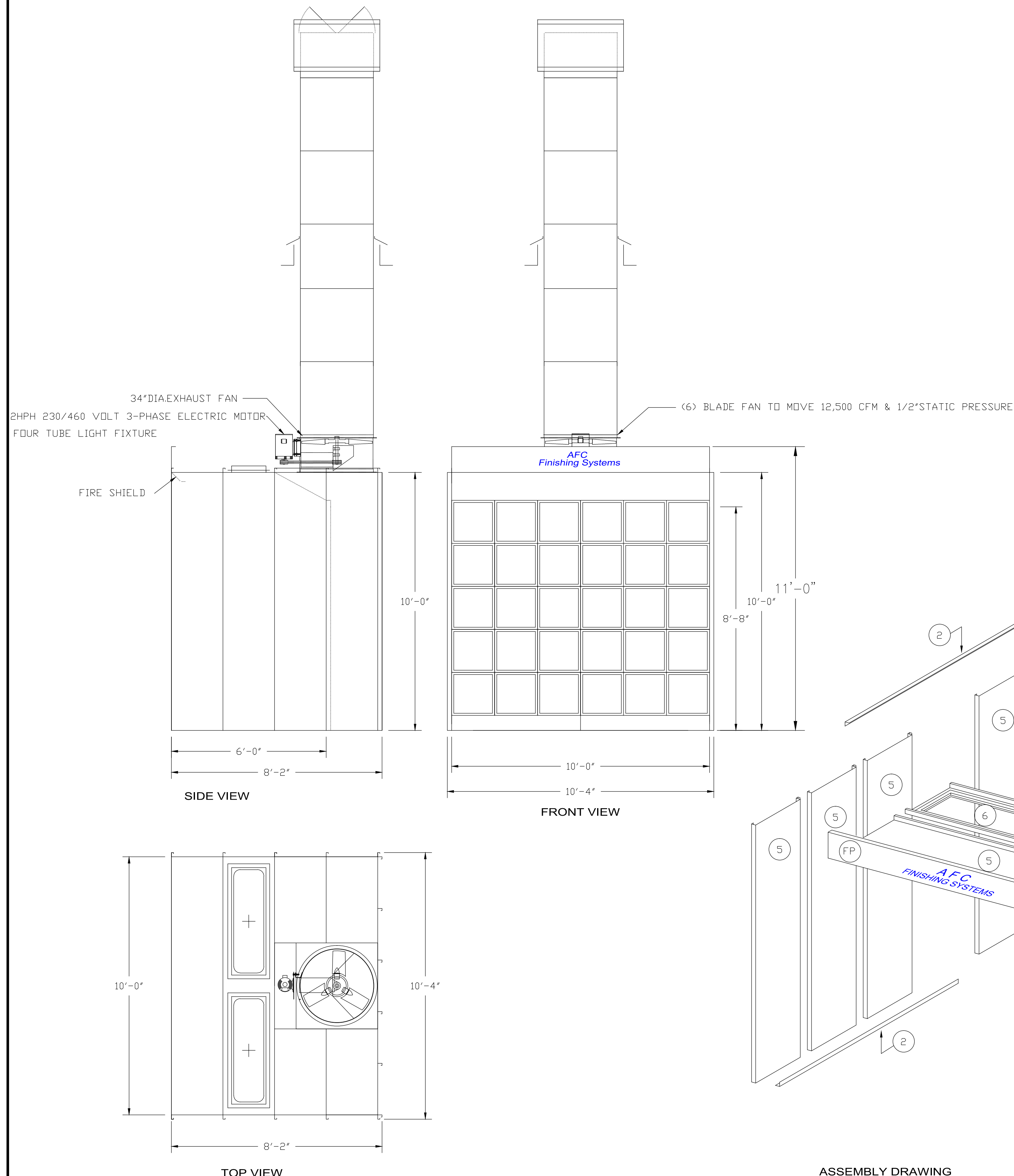
- EXHAUST FAN TYPE= 1-EACH 34" DIAMETER NON-SPARKING BLADE
- MOTOR TYPE= 1-2HP./3-PHASE.
- VOLTAGE= 230VAC 3-PHASE 60HZ
- C.F.M. RATING= Total 8,000 @ 1/2" STATIC PRESSURE
- EXHAUST CELLS= (30) 20" X 20" X 2" FIBERGLASS ARRESTORS
- ONE MANOMETER ONE MAGNETIC AIR VALVE
- ONE MANUAL CONTROL PANEL MODEL: CP1

## CONSTRUCTION

- "SINGLE WALL" 18 GA. G-90 GALVANIZED STEEL PANELS
- BASE AND TIE-IN ANGLE 14 GA. G-90 GALVANIZED STEEL
- PANEL ASSEMBLY TYPE= 1/4" X 3/4" SELF-TAPPING SCREWS ON 10" CENTERS TYP.

## LIGHTING SPECIFICATIONS

- TYPE = OPEN 4-TUBE FLUORESCENT
- VOLTAGE= STANDARD: 277 VOLT
- QUANTITY= 2-EA. TOTAL.



REV.	DESCRIPTION	DATE	BY

**AFC Finishing Systems**  
 250 AIRPORT PARKWAY, OROVILLE, CA 95965  
 (800) 331-7744 (530) 533-0179 (FAX)  
<http://www.afc-ca.com> email: sales@afc-ca.com

THIS DRAWING IS THE PROPERTY OF AFC FINISHING SYSTEMS AND IS NOT TO BE LOANED, COPIED OR DUPLICATED UNLESS IN DIRECT CONNECTION WITH AFC FINISHING SYSTEMS. ALL RIGHTS RESERVED. THIS DRAWING MUST BE RETURNED UPON REQUEST BY AFC FINISHING SYSTEMS.

DRAWN FOR:			
DESCRIPTION: OPEN FACE INDUSTRIAL BOOTH MODEL: EIBF1010			
DRAWN BY: J.BARTON	CHECKED BY:	APPROVED BY:	DATE: 10/20/15
INSTALLED BY:	FIELD CHANGED BY:	SCALE: 7/16"=1'	DRAWING NAME: EIBF1010X6dp ASSEMBLY