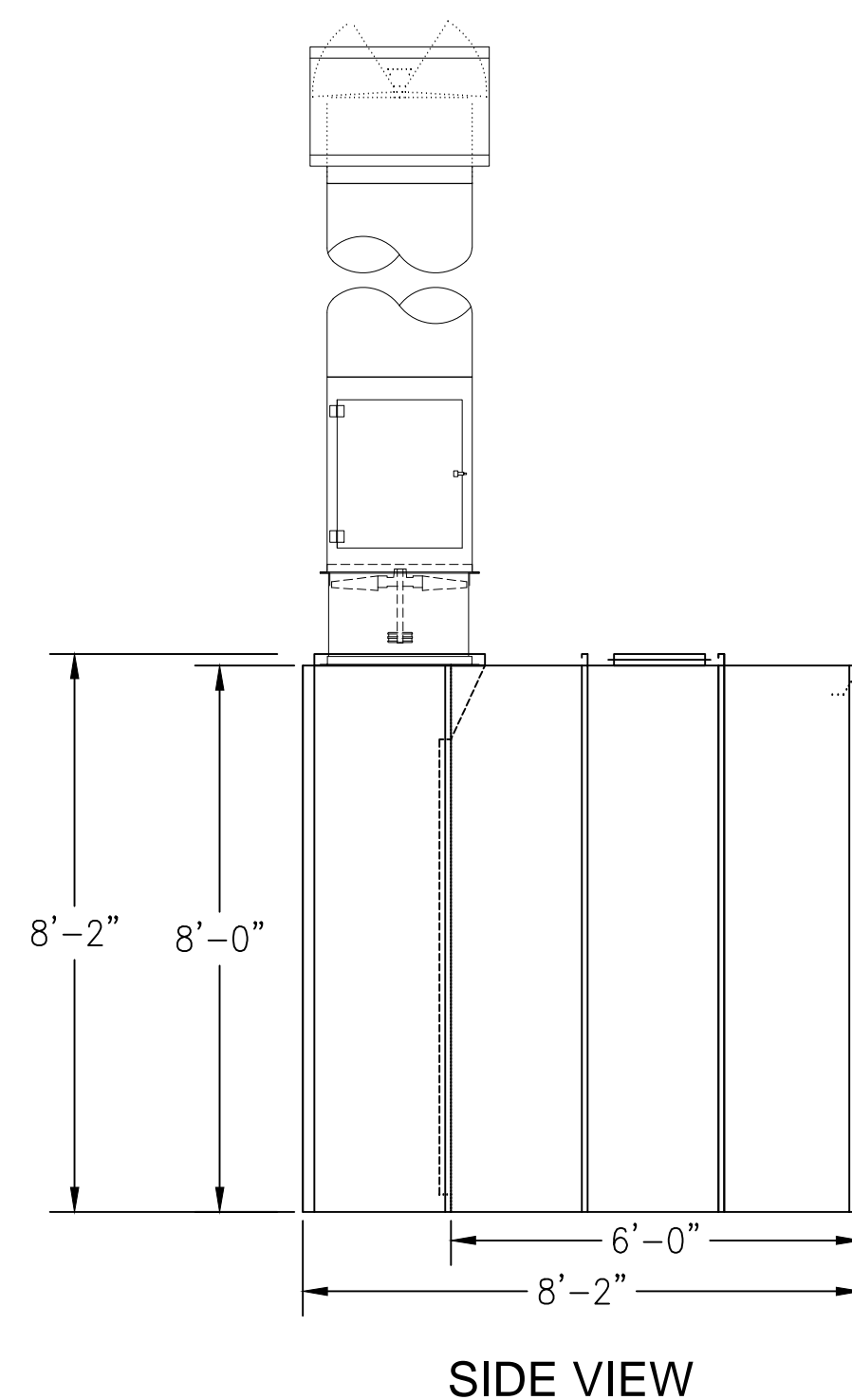
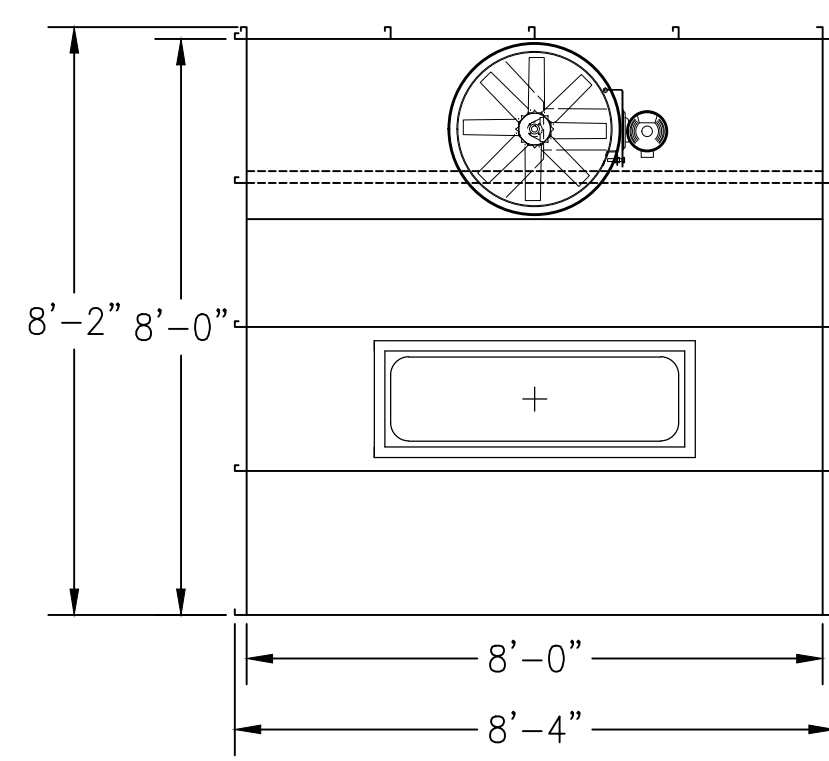


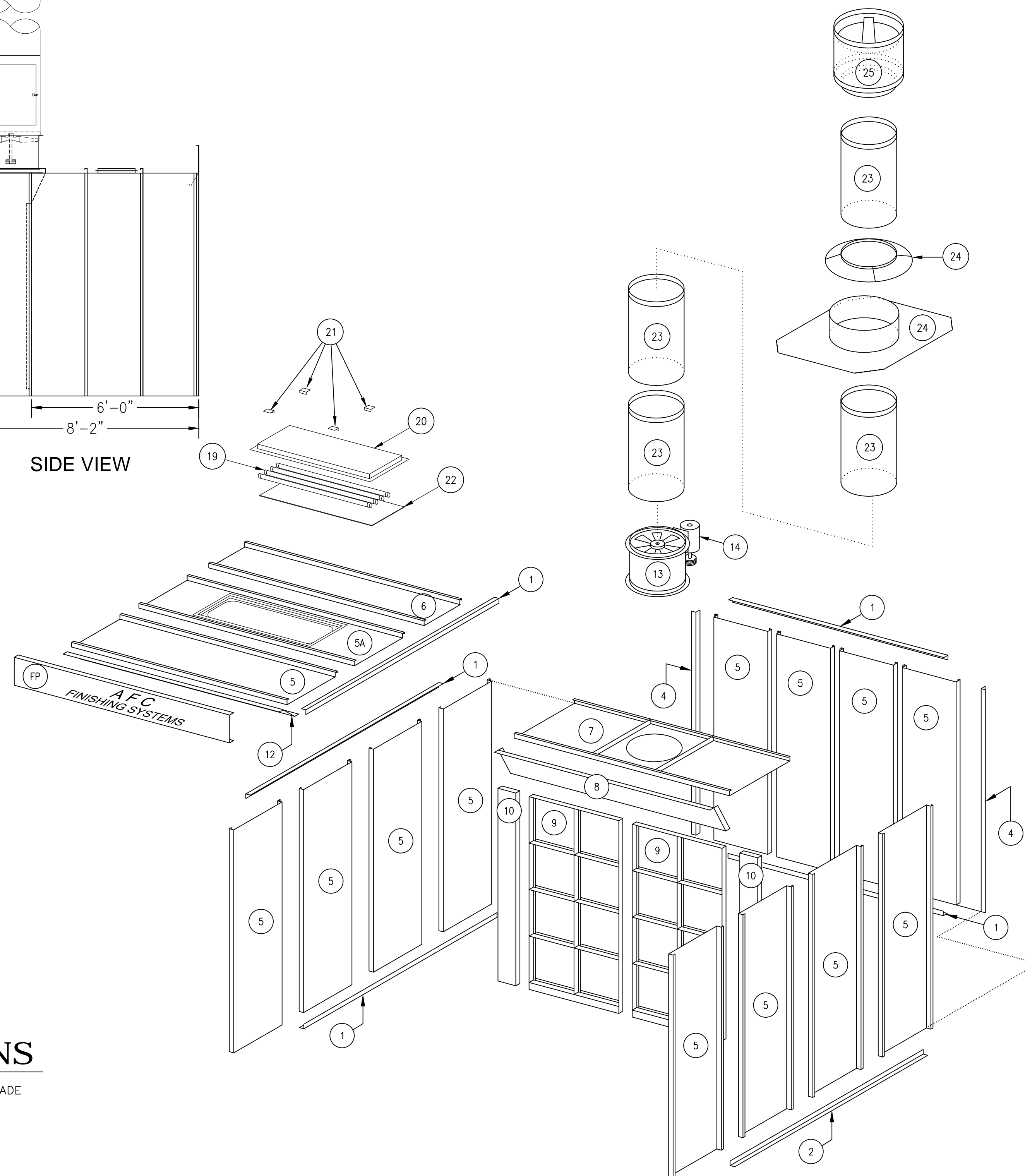
FRONT VIEW



SIDE VIEW



TOP VIEW



BOOTH SPECIFICATIONS

- * MODEL: EIBF88 FLOOR FILTER BOOTH, OPEN FACE-ETL LISTED
- * LENGTH= 8'-2" O.D. / 6'-0" I.D.
- * WIDTH= 8'-4" O.D./ 8'-0" I.D.
- * HEIGHT= 9'-0" O.D. / 8'-0" I.D.

EXHAUST SPECIFICATIONS

- * EXHAUST FAN TYPE: 1-EACH 25 1/2" DIAMETER NON-SPARKING BLADE
- * MOTOR TYPE: 1-2HP./3-PHASE.
- * VOLTAGE= 230VAC 3-PHASE 60HZ
- * C.F.M. RATING= Total 6,400 @ 1/2" STATIC PRESSURE
- * EXHAUST CELLS= (16) 20" X 20"X 2" FIBERGLASS ARRESTORS
- * ONE MANOMETER ONE MAGNETIC AIR VALVE
- * ONE MANUAL CONTROL PANEL MODEL: CP1

CONSTRUCTION

- * "SINGLE WALL" 18 GA. G-90 GALVANIZED STEEL PANELS
- * BASE AND TIE-IN ANGLE 14 GA. G-90 GALVANIZED STEEL
- * SUPPORT CHANNEL 12 GA. G-90 GALVANIZED STEEL
- * PANEL ASSEMBLY TYPE= 1/4" X 3/4" SELF-TAPPING SCREWS ON 10" CENTERS TYP.

LIGHTING SPECIFICATIONS

- * TYPE = OPEN TYPE 4-TUBE FLUORESCENT
- * VOLTAGE= STANDARD: 120 VOLT
- * QUANTITY= 1-EA. TOTAL.

ALL PANELS ARE CONSTRUCTED OF 18GA (0.0478") GALVANIZED STEEL. ALL ANGLES ARE CONSTRUCTED OF 14GA (0.0747") GALVANIZED STEEL. SUPPORT STRUCTURES (C-CHANNELS, I-BEAMS, ETC.) ARE CONSTRUCTED OF 12GA (0.1046") GALVANIZED UNLESS STATED OTHERWISE.

AFC SPRAY BOOTHS ARE CONSTRUCTED TO THE STANDARDS OF THE NATIONAL FIRE PROTECTION AGENCY (NFPA-33), OCCUPATIONAL HEALTH AND SAFETY ADMINISTRATION (OHSA), AND ENVIRONMENTAL PROTECTION AGENCY (EPA).

FINAL ASSEMBLY AND INSTALLATION, WIRING, AND FIRE SUPPRESSION ARE DONE BY OTHERS (NOT AFC) AND MUST BE DONE IN ACCORDANCE WITH NATIONAL SAFETY CODES UNLESS SAY OTHERWISE BY LOCAL AUTHORITY HAVING JURISDICTION.



Intertek
53993
SPRAY APPLICATIONS
USING FLAMMABLE
AND COMBUSTIBLE
MATERIALS
CONFORMS TO NFPA STD.33

REV.	DESCRIPTION	DATE	BY



AFC Finishing Systems

250 AIRPORT PARKWAY, ORVILLE, CA 95965
(800) 331-7744 (530) 533-0179 (FAX)
<http://www.afc-ca.com> email: sales@afc-ca.com

THIS DRAWING IS THE PROPERTY OF AFC FINISHING SYSTEMS AND IS NOT TO BE LOANED, COPIED OR DUPLICATED UNLESS IN DIRECT CONNECTION WITH AFC FINISHING SYSTEMS. ALL RIGHTS RESERVED. THIS DRAWING MUST BE RETURNED UPON REQUEST BY AFC FINISHING SYSTEMS.

DRAWN FOR:

DESCRIPTION: FLOOR FILTER BOOTH MODEL: EIBF88 ASSEMBLY/ELEVATION

DRAWN BY: J.BARTON	CHECKED BY:	APPROVED BY:	DATE: 06/12/17
INSTALLED BY:	FIELD CHANGED BY:	SCALE: 3/8"=1"	DRAWING NAME: EIBF88X6DP ASSEMBLY