



LED Flood Light Multi Watt Multi CCT

Mounting Options:
15/25/35 and 35/50/60



Mounting Options:
100W and above

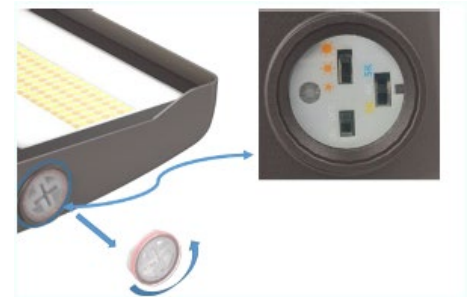


FEATURES

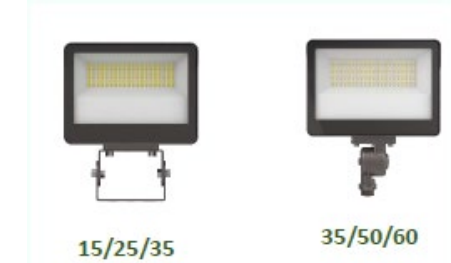
- IP65 rated
- Surge Protection
- Photocell included
- 50,000 hours lifetime

APPLICATIONS

- Commercial/Industrial
- Factories
- Warehouse
- Distribution Centers
- Shopping Malls
- Supermarkets
- Auto Dealerships



Multi Wattage, Multi CCT
On/Off Photocell



CONSTRUCTION Aluminum housing with polyester powder coated finish.	CONTROLS AND DIMMING 0-10V dimming. Photocell included.
OPTICAL SYSTEM Samsung LED chips. High quality tempered glass optics. 7H*7V beam type.	INSTALLATION AND MOUNTING Wall mount with quick mount back plate.
ELECTRICAL 120-277V input. -40°C to 50°C (-40°F to 122°F). 347-480V available for 200/240/300 and 240/350/450 models.	WARRANTY 5-year limited warranty. Actual performance may differ as a result of end-user environment and application.



LED Flood Light Multi Watt Multi CCT

Part Number 120-FLXX-35-50-DIM

WATTAGE SELECTABLE	CCT SELECTABLE	LUMENS	EFFICACY	VOLTAGE	CRI	POWER FACTOR	THD	REPLACES
15W	3000K/4000K/5000K	2,175LM	145lm/W	120-277V	80	.9	20%	50W-75W HID
25W	3000K/4000K/5000K	3,625LM	145lm/W	120-277V	80	.9	20%	50W-75W HID
35W	3000K/4000K/5000K	5,075LM	145lm/W	120-277V	80	.9	20%	50W-75W HID

Part Number 120-FLXX-60-50-DIM

WATTAGE SELECTABLE	CCT SELECTABLE	LUMENS	EFFICACY	VOLTAGE	CRI	POWER FACTOR	THD	REPLACES
35W	3000K/4000K/5000K	5,075LM	145lm/W	120-277V	80	.9	20%	100W-150W HID
50W	3000K/4000K/5000K	7,250LM	145lm/W	120-277V	80	.9	20%	100W-150W HID
60W	3000K/4000K/5000K	8,700LM	145lm/W	120-277V	80	.9	20%	100W-150W HID

Part Number 120-FLXX-100-50-DIM

WATTAGE SELECTABLE	CCT SELECTABLE	LUMENS	EFFICACY	VOLTAGE	CRI	POWER FACTOR	THD	REPLACES
60W	3000K/4000K/5000K	8,700LM	145lm/W	120-277V	80	.9	20%	150W-250W HID
80W	3000K/4000K/5000K	11,600LM	145lm/W	120-277V	80	.9	20%	150W-250W HID
100W	3000K/4000K/5000K	14,500LM	145lm/W	120-277V	80	.9	20%	150W-250W HID

Part Number 120-FLXX-150-50-DIM

WATTAGE SELECTABLE	CCT SELECTABLE	LUMENS	EFFICACY	VOLTAGE	CRI	POWER FACTOR	THD	REPLACES
80W	3000K/4000K/5000K	12,000LM	150lm/W	120-277V	80	.9	20%	175W-400W HID
100W	3000K/4000K/5000K	15,000LM	150lm/W	120-277V	80	.9	20%	175W-400W HID
150W	3000K/4000K/5000K	22,500LM	150lm/W	120-277V	80	.9	20%	175W-400W HID

Part Number 120-FLXX-200-50-DIM

WATTAGE SELECTABLE	CCT SELECTABLE	LUMENS	EFFICACY	VOLTAGE	CRI	POWER FACTOR	THD	REPLACES
100W	3000K/4000K/5000K	15,000LM	150lm/W	120-277V	80	.9	20%	250W-600W HID
150W	3000K/4000K/5000K	22,500LM	150lm/W	120-277V	80	.9	20%	250W-600W HID
200W	3000K/4000K/5000K	30,000LM	150lm/W	120-277V	80	.9	20%	250W-600W HID

Part Number 120-FLXX-300-50-DIM

WATTAGE SELECTABLE	CCT SELECTABLE	LUMENS	EFFICACY	VOLTAGE	CRI	POWER FACTOR	THD	REPLACES
200W	3000K/4000K/5000K	30,000LM	150lm/W	120-277V	80	.9	20%	600W-1000W HID
240W	3000K/4000K/5000K	36,000LM	150lm/W	120-277V	80	.9	20%	600W-1000W HID
300W	3000K/4000K/5000K	45,000LM	150lm/W	120-277V	80	.9	20%	600W-1000W HID

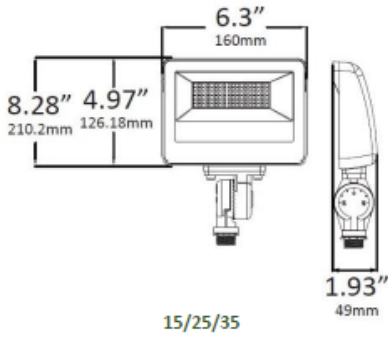
Part Number 120-FLXX-450-50-DIM

WATTAGE SELECTABLE	CCT SELECTABLE	LUMENS	EFFICACY	VOLTAGE	CRI	POWER FACTOR	THD	REPLACES
240W	3000K/4000K/5000K	32,400LM	135lm/W	120-277V	80	.9	20%	1000W-1500W HID
350W	3000K/4000K/5000K	47,250LM	135lm/W	120-277V	80	.9	20%	1000W-1500W HID
450W	3000K/4000K/5000K	60,750LM	135lm/W	120-277V	80	.9	20%	1000W-1500W HID

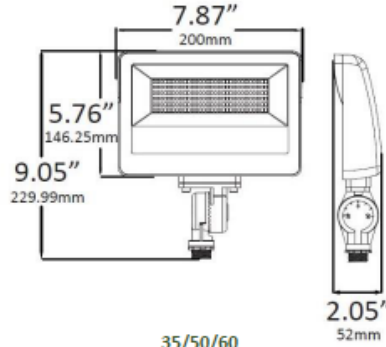


LED Flood Light Multi Watt Multi CCT

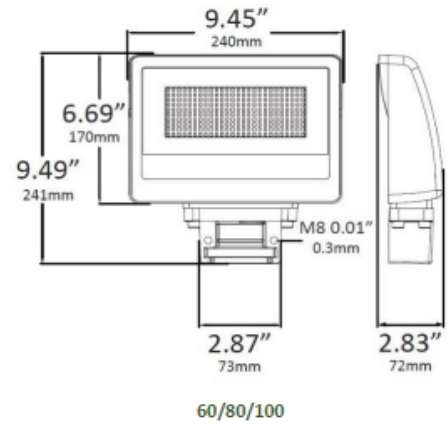
PRODUCT DIMENSIONS



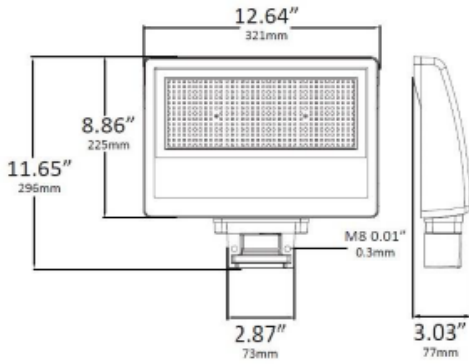
15/25/35



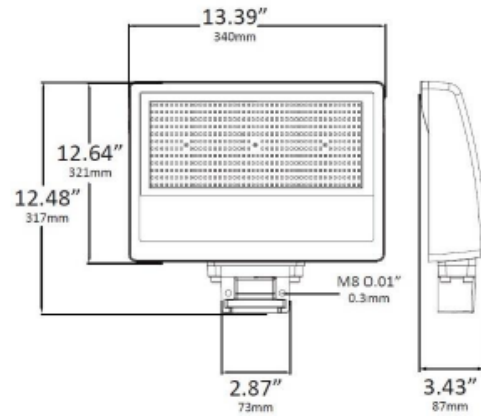
35/50/60



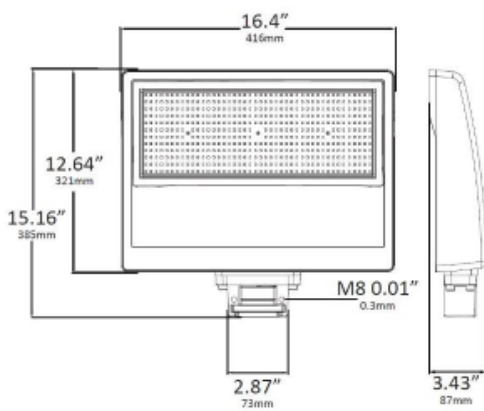
60/80/100



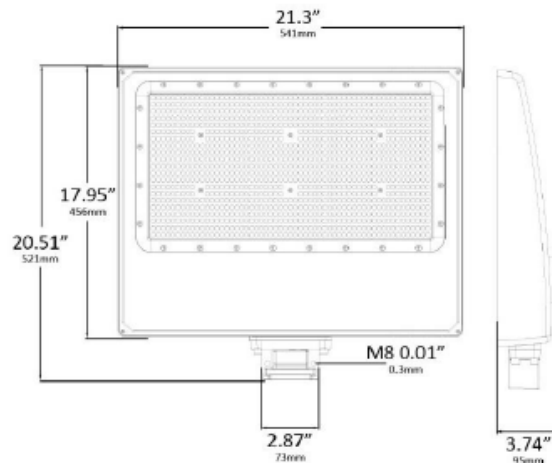
80/100/150



100/150/200



200/240/300



240/350/450