



# LED Mini Wall Pack Multi Wattage Multi CCT

## FEATURES

- IP65 rated
- Semi cut-off
- Photocell included
- Rust & corrosion proof
- 50,000 hours lifetime

## APPLICATIONS

- Warehouses
- Stadiums
- Factories
- Parking Lots
- Shopping Malls
- Supermarkets
- Logistic Centers
- Auto Dealerships



Bronze



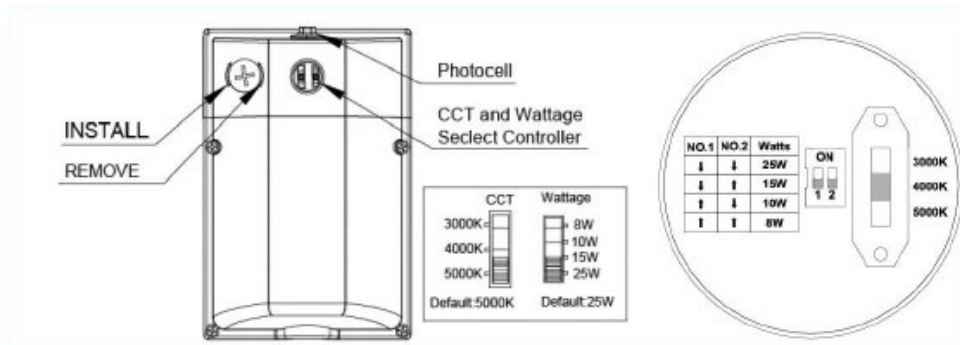
White



Quick Mount Back Plate



<b>CONSTRUCTION</b>	<b>CONTROLS AND DIMMING</b>
Heavy die-cast aluminum housing with polyester powder-coated finish. Integral secondary heat sink to optimize thermal transfer and maximize performance of the LED's. Frosted lens.	Photocell standard. Continuous dimming to 10%.
<b>OPTICAL SYSTEM</b>	<b>INSTALLATION AND MOUNTING</b>
Philips Lumileds 3030 LED chips. 125° beam angle.	Wall mount with quick mount plate.
<b>ELECTRICAL</b>	<b>WARRANTY</b>
120-277V input. -20°C to 50°C (-4°F to 122°F).	5-year limited warranty. Actual performance may differ as a result of end-user environment and application.



Bronze

White

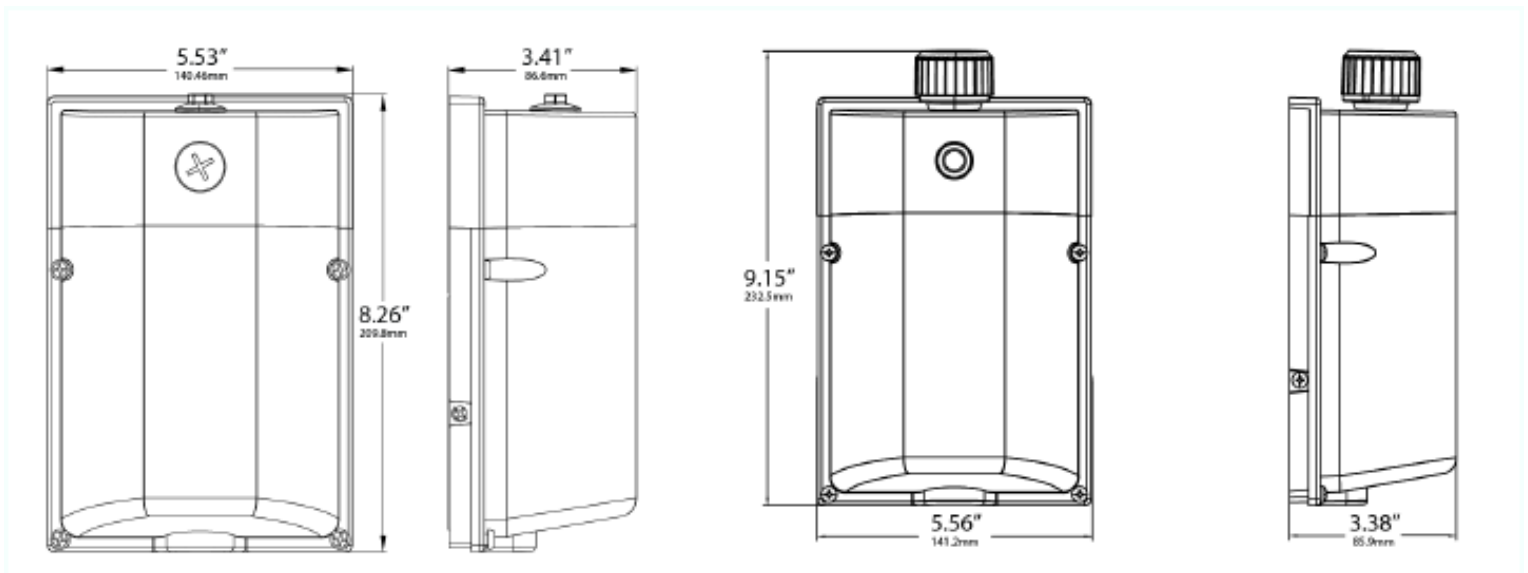


# LED Mini Wall Pack Multi Wattage Multi CCT

**Part Number 120-WPMXX-25-50-DIM-(Color) BR=Bronze or WH=White**

WATTAGE SELECTABLE	CCT SELECTABLE	LUMENS	EFFICACY	VOLTAGE	CRI	POWER FACTOR	THD	REPLACES
8W	3000K/4000K/5000K	1,097.28LM	137.16lm/W	120-277V	71	.923	12%	30-50W HID
10W	3000K/4000K/5000K	1,371.6LM	140lm/W	120-277V	71.3	.985	11.8%	30-50W HID
15W	3000K/4000K/5000K	2,057.4LM	140lm/W	120-277V	71.3	.985	11.8%	30-50W HID
25W	3000K/4000K/5000K	3,429LM	140lm/W	120-277V	71.3	.985	11.8%	30-50W HID

## PRODUCT DIMENSIONS



Bronze

White