



WEIJING®

Wedge Breaker



SUZHOU WEIJING AUTOMATION CO., LTD

About Weijing >>>

SUZHOU WEIJING AUTOMATION CO., LTD, established in 2008, is a Chinese company dedicating to provide professional equipment, services and solutions with premium quality for global foundries. Our services cover: solution designing, equipment manufacturing, equipment selling and service. Our products include: Wedge Breaker, Runner Breaker, Degating Hammer, Casting Grinding Machine, Auto Pouring Machine, Molten Iron Handling System, and other customized equipment and systems. And several products have been patented in China.

There are more than 700 sets of equipment and systems supplied by Weijing at more than 300 foundries worldwide.

Our Mission >>>

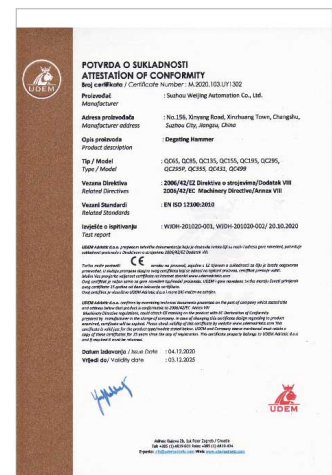
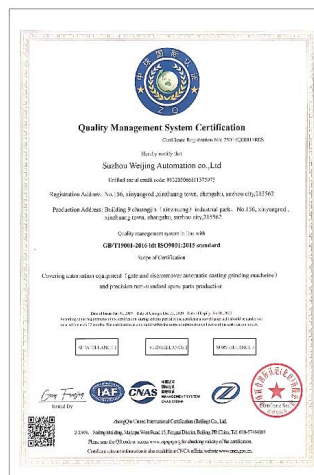
As the degating machine leader in China market, providing the most suitable machine to foundries is our mission.

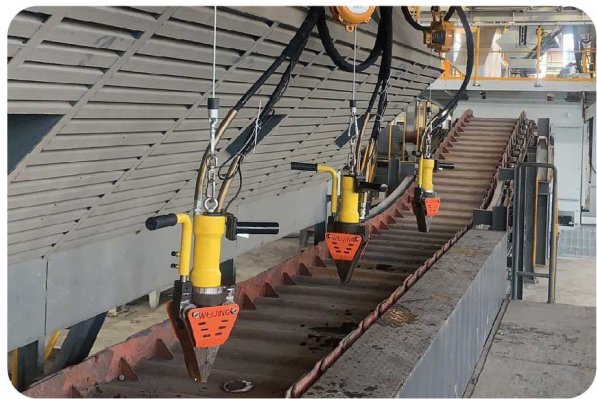
Positive action, honest communicating, efficient collaboration, is our behavior style.

Product patent >>>



Certificates >>>

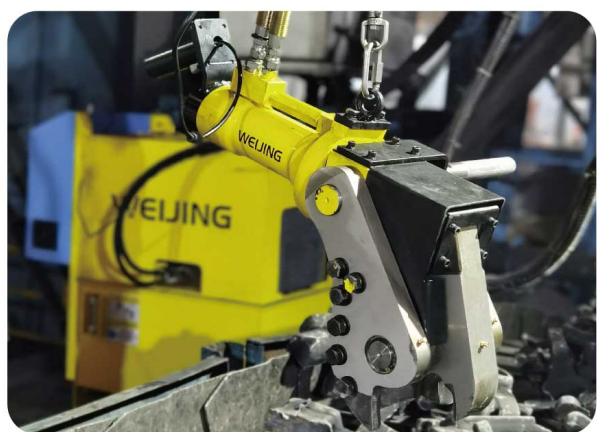




Vertical Wedge



Horizontal Wedge



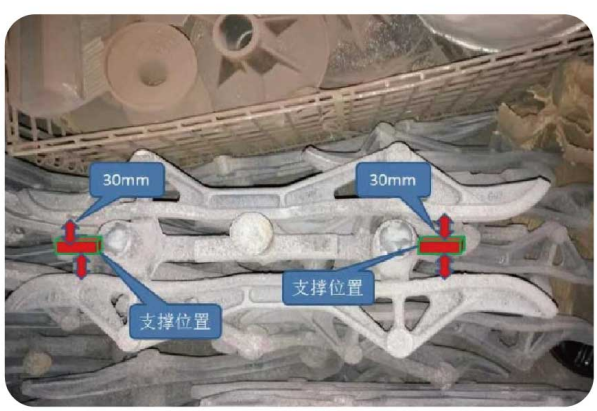
Runner Cutter



Exothermic Sleeve Breaker



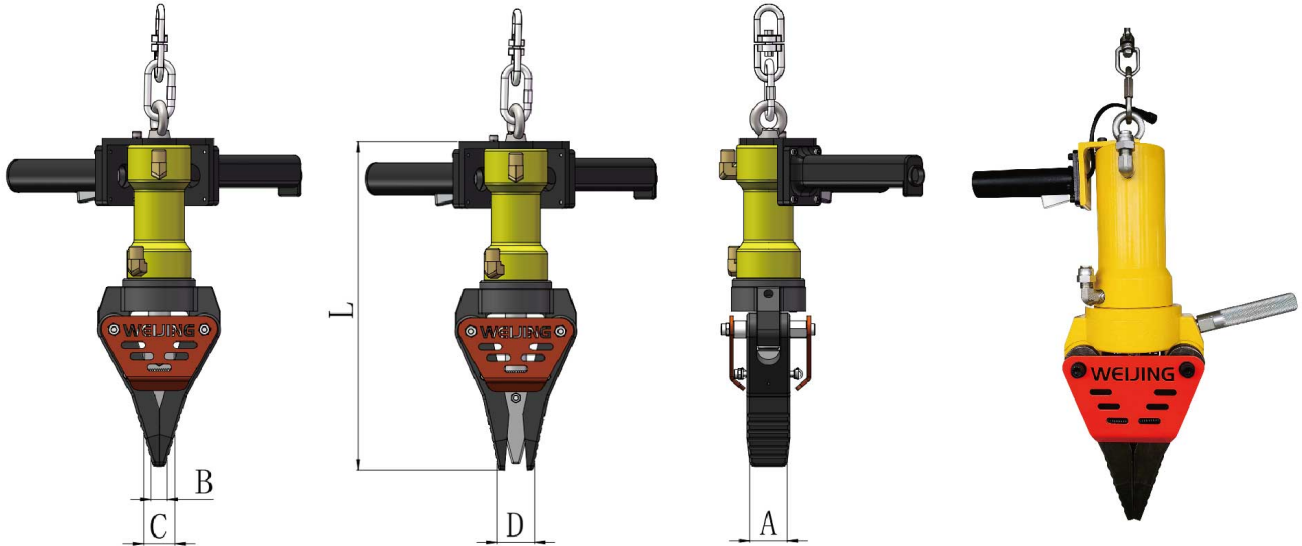
Pumps



Application Requirements



GT-WL type wedge suits to work vertically on the belt at waist height



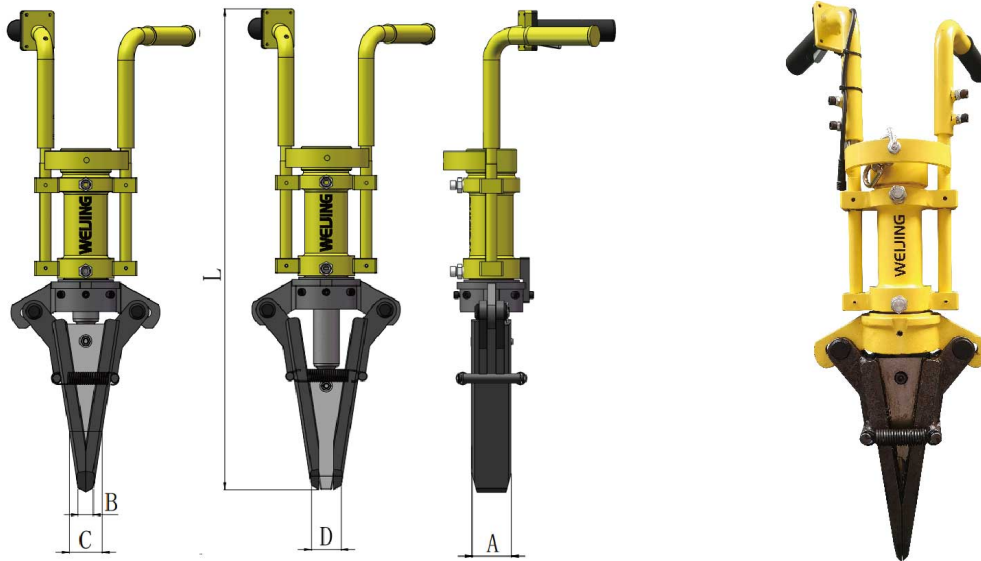
Models of WL Type	Force (T)	Section Area (mm*mm)	Weight (KG)	Wedge Dimensions : mm				
				L	A	B	C	D
GT40-WL	9T	15*15	13	380	50	16/20	44	39/44
GT55-WL	16T	35*40	27	495	75	24/30	69	62/68
GT65-WL	25T	55*60	30	499	75	24/30	72	61/67
GT80-WL	35T	60*65	43	584	75	29/30	72	65/66

Features & values:

- No central wedge protruding during the operating makes vertical breaking more perfect.
- Anti-skid & wide wedge blades make each breaking more stable, less skidding.
- Short handle makes the breaking at waist height more flexible.
- Double-seal inside for better sealing and long lifetime.
- Cycle time can reach up to 30 times per minute.



GT-FL type wedge suits to work vertically on the ground or on the ground belt



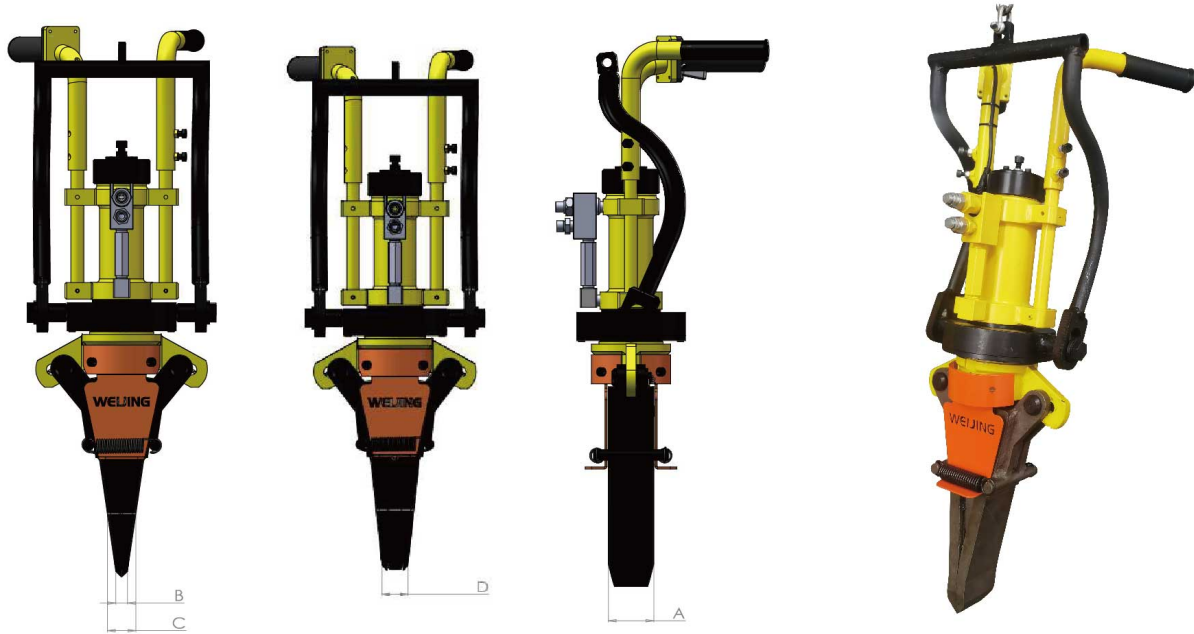
Models of FL Type	Force (T)	Section Area (mm*mm)	Weight (KG)	Wedge Dimensions: mm				
				L	A	B	C	D
GT45-FL	12T	20*30	29	830	69	18	52	43
GT55-FL	16T	35*40	32	840	69	28	62	52

Features & values:

- No central wedge protruding during the operating makes vertical breaking more perfect.
- Anti-skid & wide wedge blades make each breaking more stable, less skidding.
- Long handle makes the breaking on the ground directly more flexible.
- Double-seal inside for better sealing and long lifetime.
- Cycle time can reach up to 30 times per minute.



FL-R type wedge suits to work vertically & horizontally on the ground or on the ground belt.



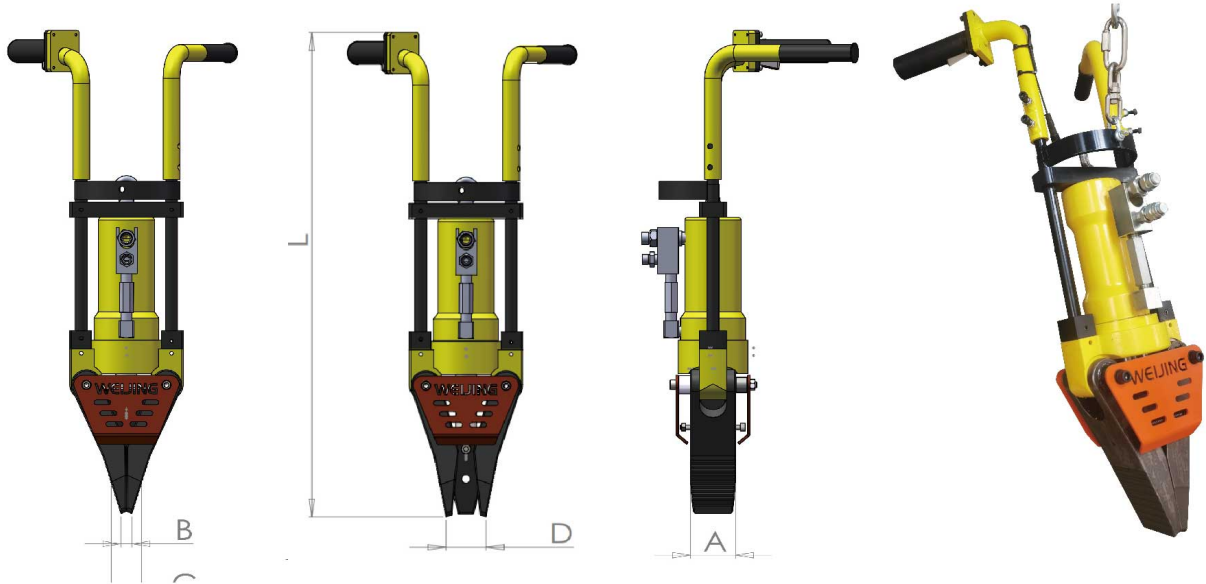
Models of FLR Type	Force (T)	Section Area (mm*mm)	Weight (KG)	Wedge Dimensions : mm				
				L	A	B	C	D
GT45-FL-R	12T	20*30	34	828	69	18	52	44
GT55-FL-R	16T	35*40	37	819	69	28	62	50
GT60-FL-R	20T	55*55	54	883	60	25	75	46
GT80-FL-R	35T	60*65	59	883	60	25	75	46

Features & values:

- No central wedge protruding during the operating makes vertical breaking more perfect.
- Anti-skid & wide wedge blades make each breaking more stable, less skidding.
- Long handle makes the breaking on the ground directly more flexible.
- Rotatable structure makes operators to turn wedge 180° more freely.
- Double-seal inside for better sealing and long lifetime.
- Cycle time can reach up to 30 times per minute.



FL-T type wedge suits to work vertically on the ground or on the ground belt high efficiently



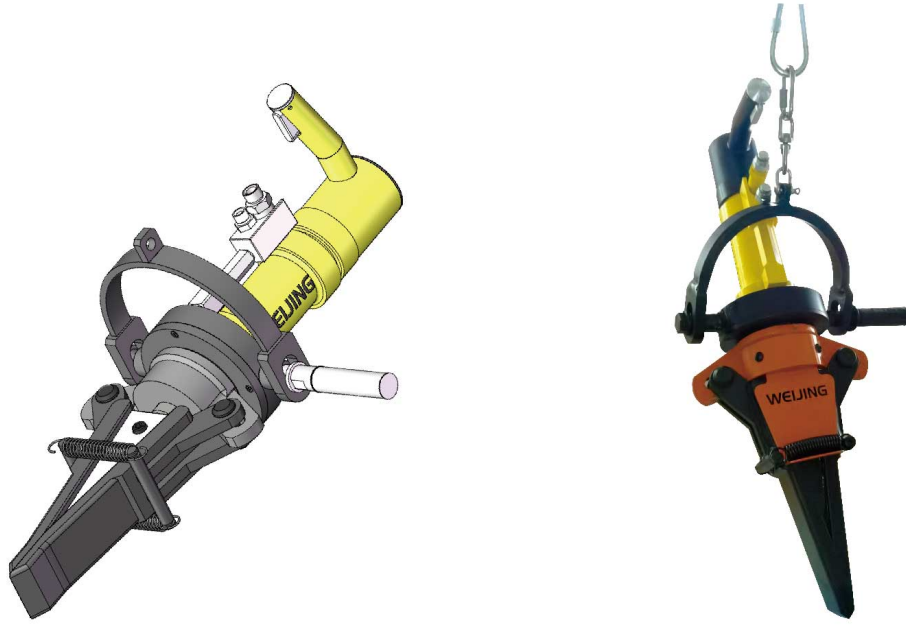
Models of FLT Type	Force (T)	Section Area (mm*mm)	Weight (KG)	Wedge Dimensions: mm				
				L	A	B	C	D
GT40-FL-T	9T	15*15	15	700	50	16/20	44	39/44
GT55-FL-T	16T	35*40	32	788	75	24/30	69	62/68
GT65-FL-T	25T	55*60	35	803	75	24/30	72	61/67

Features & values:

- No central wedge protruding during the operating makes vertical breaking more perfect.
- Anti-skid & wide wedge blades make each breaking more stable, less skidding.
- Long handle makes the breaking on the ground directly more flexible.
- Big cylinder inside ensures super cycle time.
- Double-seal inside for better sealing and long lifetime.
- Cycle time can reach up to 30 times per minute.



RH+ type wedge suits to work horizontally on the blet at waist height.



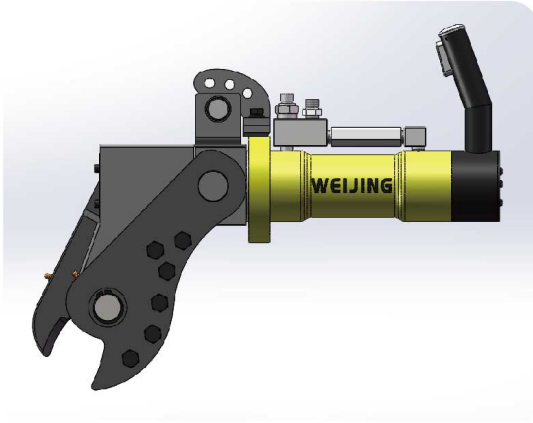
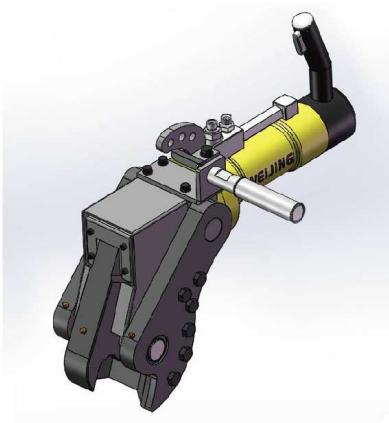
Models of FLT Type	Force (T)	Section Area (mm*mm)	Weight (KG)	Wedge Dimensions: mm				
				L	A	B	C	D
GT55-RH+	16T	35*40	38	721	69	32	45	57
GT80-RH+	35T	60*65	38	751	40	21	54	40

Features & values:

- No central wedge protruding during the operating makes horizontal breaking more perfect.
- Anti-skid & wide wedge blades make each breaking more stable, less skidding.
- Two-handed operation helps the user easy to position the wedge.
- Double-seal inside for better sealing and long lifetime.
- Cycle time can reach up to 30 times per minute.



Runner Cutter



Type	Force (T)	Maximal runner size (Ø)	Circle time	Weight (KG)	Cutter dimensions	Remarks
RC1650	16T	Ø40	12/min	55	750*519*160	For straight bars
RC1660	16T	Ø40	12/min	53	735*390*160	For round bars
RC2580	25T	Ø60	8/min	65	767*420*170	

Features & values:

- Comparing to traditional runner breaker, it is more flexible to operate.
- Cycle time reaching up to 12 times per minute improve the efficiency.
- Two-handed operation helps the user easy to position the cutter.



Exothermic Sleeve Breaker



Type	Force (T)	Max. neck size (mm)	Max. riser diameter (mm)	Weight (KG)	Remarks
ERB1640	16T	40	80	35	

Features & values:

- Unique breaking structure makes the sleeve breaking easy and quickly.
- Two-handed operation helps the user easy to position the breaker.

Hydraulic Pump


Model		PC-8-14-19	PC-11-17-23	PC-8-14-19-S	PC-11-17-23-S
Voltage	V	380V 50/60z	380V 50/60z	380V 50/60z	380V 50/60z
Output Power	KW	7.5	11	7.5	11
Low-pressure Flow	L/Min	19	23	19	23
Low Pressure	Mpa	18	18	18	18
Boost Pressure	Mpa	45	45	45	45
Oil Tank Capacity	L	165	165	165	165
Effective Tank Capacity	L	123	123	123	123
Hydraulic Oil		ISO(VG46)	ISO(VG46)	ISO(VG46)	ISO(VG46)
Oil Temperature		10-60°	10-60°	10-60°	10-60°
Cooling Way				S	S
Air Cooling S Water Cooling					
Weight	KG	310	350	325	365
Dimensions (L*W*H)	mm	1110*615*1205	1110*615*1205	1110*745*1205	1110*745*1205



Standard features:

- cycle counting, oil level indication, air cooling

Unique pressures:

- Weijing pumps can provide two working pressures (low pressure up to 18 M pa, boost pressure up to 45 M pa).
- The pump can switch automatically between two working pressures.
- Low pressure is for central wedge to go out before breaking the castings and withdraw.
- Boost pressure is only for central wedge to break the castings within a few seconds.
- Keep a balance between fast and powerful breaking and long lifetime of sealing inside.

Super durability:

- 3 million cycle time can be guaranteed for low pressure pump, 8 million cycle time for booster pump if it is maintained well.
- Solid-state relays inside for avoiding any sparks in dust environment for better safe.
- 20 million times of relays can be guaranteed if the voltage of power supply is stable.
- Water cooling system is an available option for 24*7 operation if needed.
- Water cooling system can help oil temperature keep at good level for prolonging lifetime of sealing inside.

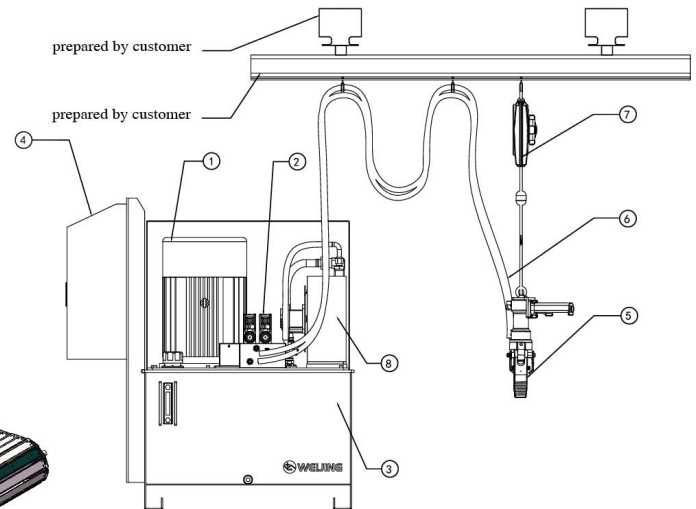
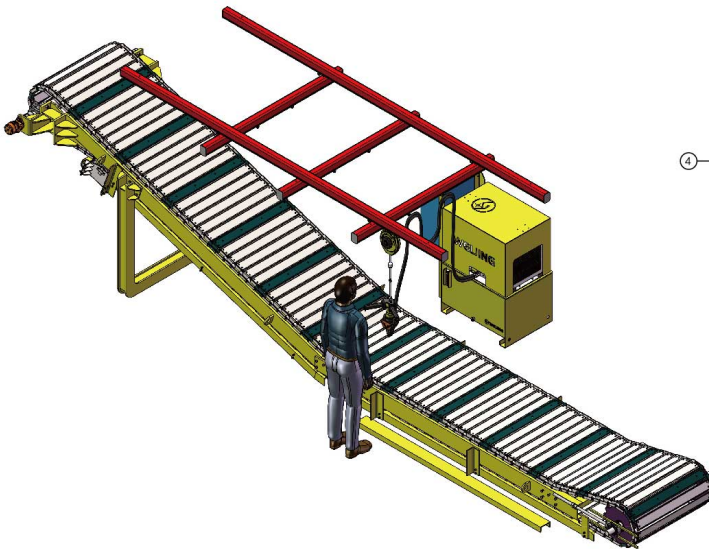
Energy saving:

- Weijing pump will automatically hibernate if no any operation happens within 20 minutes. Just need to touch the operating button on wedge handle to wake up the pump again in one second.





Layout And Key Part Description



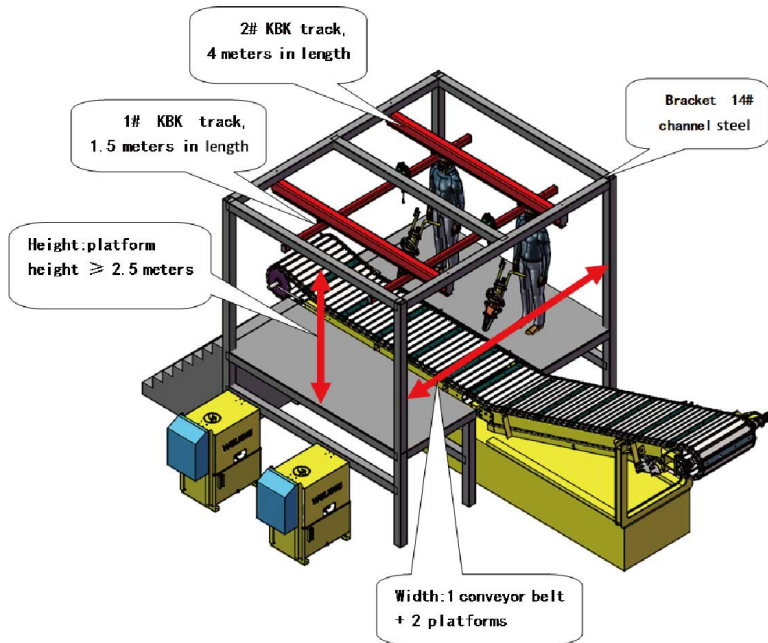
No	Description	Qty
1	Motor and Pump	1
2	Valve block	1
3	Oil Tank	1
4	Control System	1
5	Wedge	1
6	Oil Hose	2
7	Balancer	1
8	Cooling system	1

■ Notes: The layout is just for reference. Weijing people will give you the most suitable proposal according to your real situation.

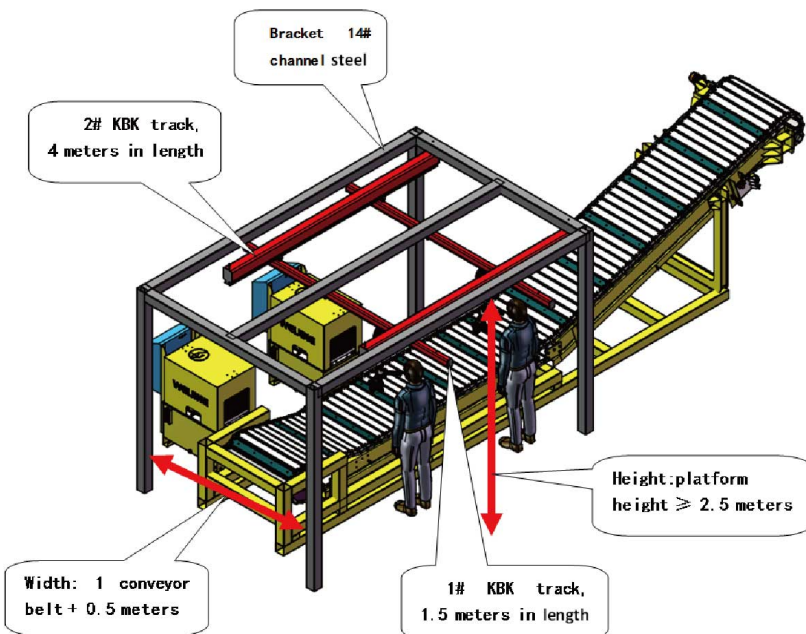


Installation way

FL Type Wedge Breaker Installation

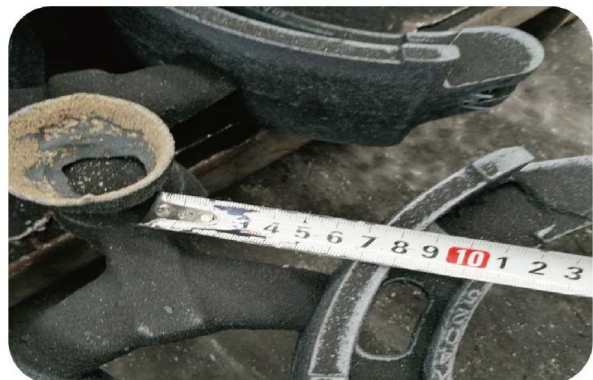
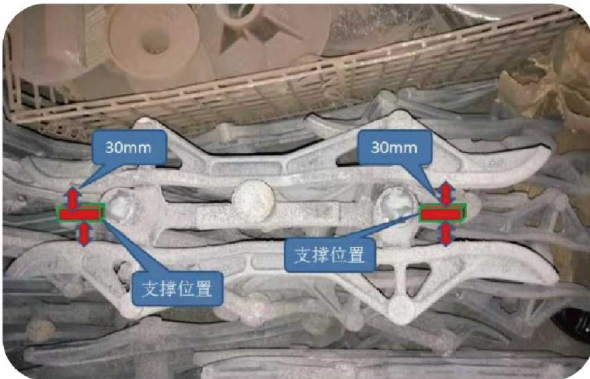
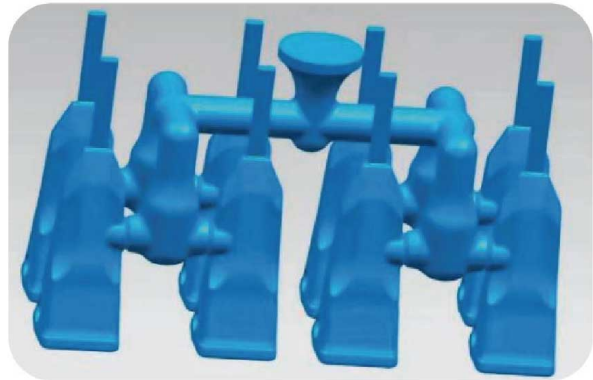
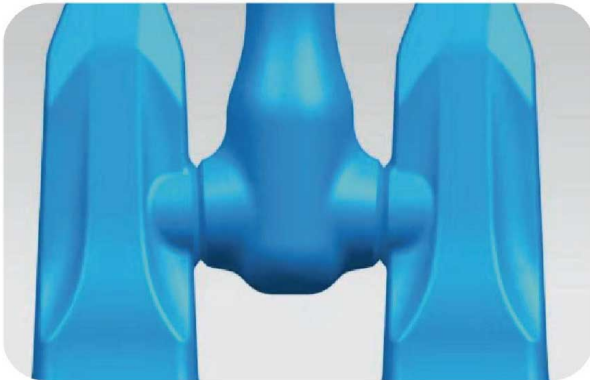


WL Type Wedge Breaker Installation





Riser/Runner Design Suggestion



Reasons and benefits:

- Should keep the room for wedge to insert, and should have two supporting points for two side blades to break the risers.
- The area of supporting points should be bigger than neck size of risers for avoiding casting damaging.



Customer Name	Location
Fujiwa Machinery Industry (Kunshan & Hubei) Co.,Ltd	China
Fuzhou Lioho Machinery Co., Ltd	China
Guangzhou KLC Machinery Co., Ltd	China
Lioho Metal (Hubei) Co., Ltd	China
Suzhou Chuo Malleable Iron Co., Ltd	China
Suzhou Ishikawa Iron Manufacturing Co., Ltd	China
Suzhou Huachuan Foundry Co., Ltd	China
Georgfischer Auto Parts (Kunshan) Co.,Ltd	China
Liyang Wansheng Casting Co., Ltd	China
Kehua Holdings Co.,Ltd	China
Changchai Co., Ltd	China
Kaibara Alloy (Suzhou) Co., Ltd	China
Changzhou Changniu Machinery Co., Ltd	China
Changfa Agriculture Equipment Co., Ltd	China
Jiangsu Hengli Hydraulic Co., Ltd	China
Yantai Winhere Auto Part Manufacturing Co., Ltd	China
Tianrun Crankshaft Co., Ltd	China
Shandong Jinding Industrial Co., Ltd	China
Shandong Liancheng Precision Manufacturing Co.,Ltd	China
Shandong Meiling Chemical Equipment Co.,Ltd	China
Mianyang oasheng Auto Parts Manufacturing Co., Ltd	China
Sichuan Dujiang Foundry Co., Ltd	China
Hangzhou Diantie Auto Components Co.,Ltd	China
Zhejiang Kaishan Foundry Co., Ltd	China
Hebei North Casting Industry Co., Ltd	China
Quzhou Hengye Auto Parts Co., Ltd	China
Xixia Intakes & Exhaust Manifold Co.,Ltd	China
Jiangxi Aili New Material Technology Co., Ltd	China
Wuhu Yongda Tech Co., Ltd	China
Tianjin Sanwa Iron Production Co., Ltd	China
Taiwan World Known MFG Co., Ltd	Taiwan
Ruslan-Komplekt Ltd	Ukraine
Fundiciones San Justo SA	Argentina
П А О "К А М А 3"	Russia

Foundry wedge, why not Weijing?



Suzhou Weijing Automation Co., Ltd

Address: Building 9th, No.156, Xinyang Avenue, Chuangjin
Industrial Park, Changshu, Suzhou, China

Tel: +86 0512- 5153 7059

Fax: +86 0512- 5153 7059

Mobile: +86 153 0612 4775

E-mail: roc.hang@weijingsz.com

Website: www.weijingsz.com



Roc Hang
Whatsapp QR Code



Roc Hang
Wechat QR Code