



# Product catalogue

**Website : [www.Extreme-Machines.com](http://www.Extreme-Machines.com)**

**Extreme Machines Authorised Distributor (INDIA)**

Shree Peripherals,  
Dadri Main Road, Yamaha Vihar,  
Baraula, Sector 49, Noida,  
Uttar Pradesh 201301, INDIA  
Mail : [Shree.peripheral@gmail.com](mailto:Shree.peripheral@gmail.com)  
Contact : +91 7701963095  
Updated on : 28 Nov 2023

Document Rev : 1.0

## Table of Contents

<b>1. About Us</b>	4
<b>1.1. INDIA's Largest Custom U Rack Frames Maker</b>	4
<b>1.2. Long Life Stackable frames with Customization</b>	4
<b>2. Overview</b>	5
<b>3. U Rack 6U - Open Frame Wall Mount</b>	6
3.1. Specification	6
3.2. Product Drawings	7
<b>4. U Rack 12U - Open Frame Wall Mount</b>	8
4.1. Specification	8
4.2. Product Drawings	9
<b>5. U Rack 12U - Open Frame Wall Mount</b>	10
5.1. Specification	10
5.2. Product Drawings	11
<b>6. U Rack 24U - Open Frame Wall Mount</b>	12
6.1. Specification	12
6.3. Product Drawings	13
<b>7. U Rack 12U - Open Frame Wall Mount</b>	14
7.1. Specification	14
7.2. Product Drawings	15
<b>8. U Rack 12U - Open Frame Wall Mount</b>	16
8.1. Specification	16
8.3. Product Drawings	17
<b>9. Fixed Tray 1U</b>	18
9.1. Specification	18
9.2. Installation depth configuration	19
9.3. Product Drawings	19
<b>10 Telescopic Tray 1U</b>	20
10.1. Specification	20
10.2. Installation depth Configuration	21
10.3. Product Drawings	21
<b>11 Drawer 2U with Lock</b>	22
11.1. Specification	22
11.2. Modules Assembly	23
.....	23
11.3. Product Drawings	23
.....	23

<b>12. 2U NAS Server (Fixed)</b> .....	24
12.1. Specification.....	24
12.2. Modules Assembly.....	25
12.3. Product Drawings .....	25
<b>13 2U NAS Server (Telescopic)</b> .....	26
13.1. Specification.....	26
13.2. Modules Assembly.....	27
13.3. Product Drawings .....	27

# 1.About Us

## 1.1. INDIA's Largest Custom U Rack Frames Maker

Xtreme Machines was established at the end of 2020 in NOIDA U.P, all the products are design and developed in INDIA with the help of World PC Gaming Territories & Gaming Species, Extreme Machines having lots of experience in building Computer frames and all types of frames related to Servers and Mining Farms, Our products are available online and offline, through SHREE PERIPHERALS as our distribution partner for all over India.

Extreme Machines having own Laser Machines, Bending Machines, Powder Coating Ovens, We are the only manufacturer in INDIA who giving Custom U Rack Frames ,Server Frames & Mining Rig Frames.

## 1.2. Long Life Stackable frames with Customization

Our U Rack Frames are specially designed considering easy mounting and unmounting of U Rack Modules, we are supporting all ATX design rules,

Our frames support all ATX SMPS, Motherboard, HDD/SSD.

We manufacture our frames in Mild Steel in 1.5mm Thickness, with textured Black Finish. This thickness gives power to frames to hold multiple layers of Modules stackability.

## 2. Overview

Model	Type	Colour & Material	Price INR
19 Inch Urack with 18 Inch Depth	6U - Open Frame Wall Mount Model EMUR-186UW	Colour : Black Material : 1.5mm Steel (MS)	
	12U - Open Frame Wall Mount Model EMUR-1812UW	Colour : Black Material : 1.5mm Steel (MS)	
	12U - Open Frame Floor Mount Model EMUR-1812UF	Colour : Black Material : 1.5mm Steel (MS)	
	24U - Open Frame Floor Mount Model EMUR-1824UF	Colour : Black Material : 1.5mm Steel (MS)	
19 Inch Urack with 26 Inch Depth	12U - Open Frame Floor Mount Model EMUR-2612UF	Colour : Black Material : 1.5mm Steel (MS)	
19 Inch Urack with 30 Inch Depth	12U - Open Frame Floor Mount Model EMUR-3012UF	Colour : Black Material : 1.5mm Steel (MS)	
19 Inch Urack Trays for 18 Inch Depth	1U Fixed Tray Model EMUR-18FT	Colour : Black Material : 1.5mm Steel (MS)	
	1U Telescopic Tray Model EMUR-18ST	Colour : Black Material : 1.5mm Steel (MS)	
	2U Drawer Model EMUR-18SD	Colour : Black Material : 1.5mm Steel (MS)	
19 Inch Urack Trays for 26 Inch Depth	1U Fixed Tray Model EMUR-26FT	Colour : Black Material : 1.5mm Steel (MS)	
	1U Telescopic Tray Model EMUR-26ST	Colour : Black Material : 1.5mm Steel (MS)	
	2U Drawer Model EMUR-26SD	Colour : Black Material : 1.5mm Steel (MS)	
19 Inch Urack CPU for 18 Inch Depth	2U NAS Server (Fixed) Model EM-182UNAS	Colour : Black Material : 1.5mm Steel (MS)	
	2U NAS Server (Telescopic) Model EM-182UNASTC	Colour : Black Material : 1.5mm Steel (MS)	

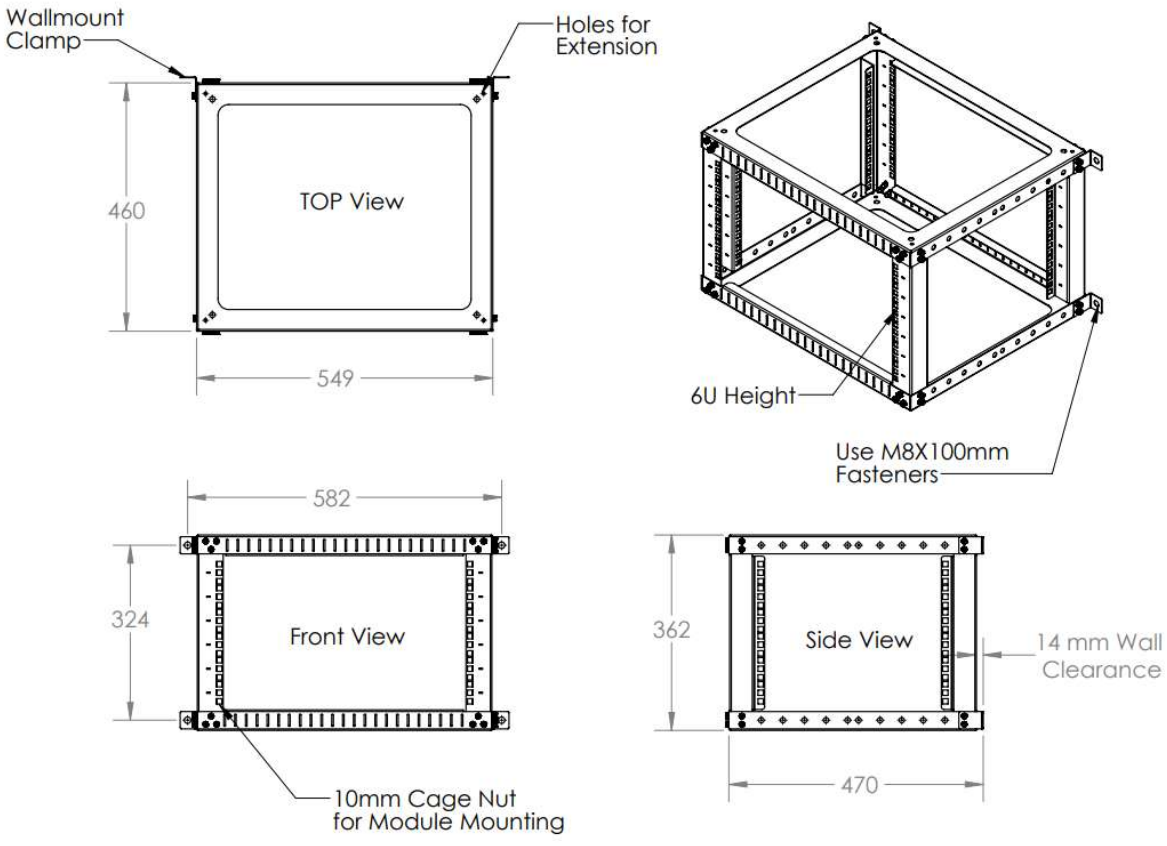
# 3.U Rack 6U - Open Frame Wall Mount Model EMUR-186UW

## 3.1. Specification



Product Description	Model No.	EMUR-186UW
	Type	19 Inch Open Frame Wall mount U Rack
	Stackability	Yes
	Size WDH (mm)	549x470x362
	Weight KG	8
	Color	Black textured powder coated
Package Including	M5X10mm Allen Bolt	50
	Allen Key 5mm	1
	Cage Nut 10mm	10
	M5 Bolt	40
	Wall mount Clamp	4
	Mounting Fasteners	No

### 3.2 Product Drawings



# 4.U Rack 12U - Open Frame Wall Mount Model EMUR-1812UW

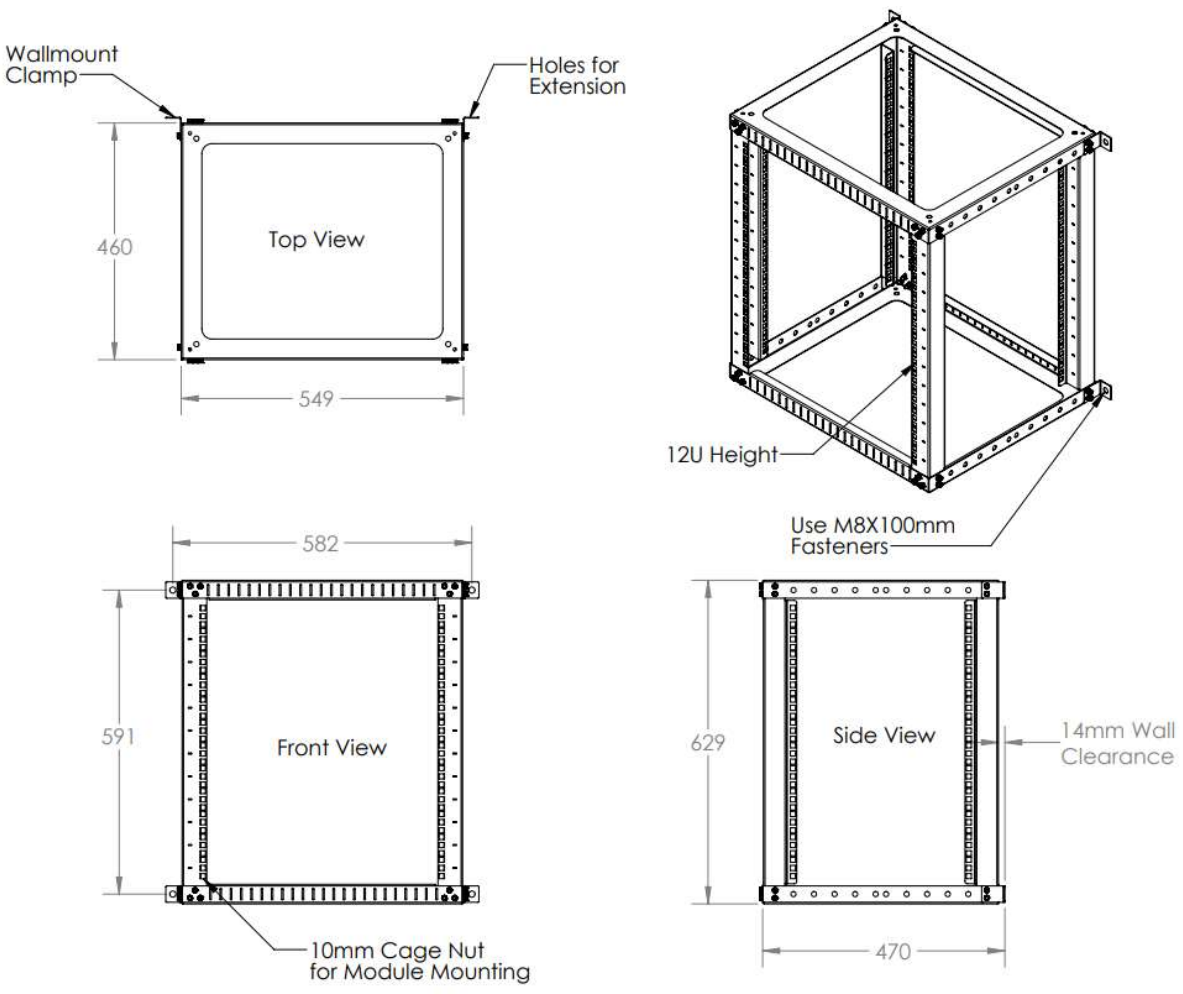
## 4.1. Specification



Product Description	Model No.	EMUR-1812UW
	Type	19 Inch Open Frame Wall mount U Rack
	Stackability	Yes
	Size WDH (mm)	549x460x629
	Weight KG	10
	Color	Black textured powder coated
Package Including	M5X10mm Allen Bolt	50
	Allen Key 5mm	1
	Cage Nut 10mm	10
	M5 Bolt	40
	Wall mount Clamp	4
	Mounting Fasteners	No



# 4.2 Product Drawings



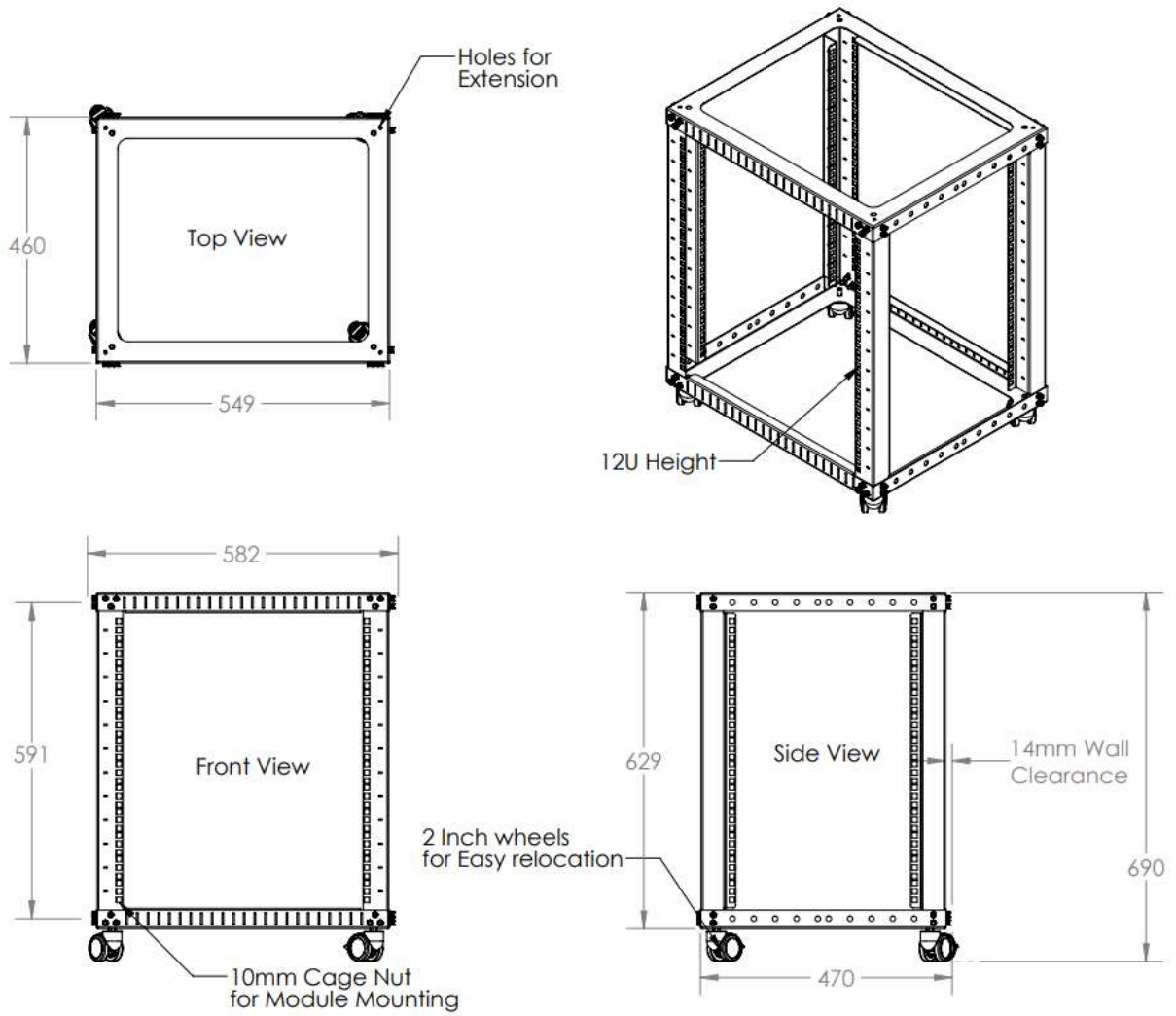
## 5.U Rack 12U - Open Frame Wall Mount Model EMUR-1812UF

### 5.1. Specification



Product Description	Model No.	EMUR-1812UF
	Type	19 Inch Open Frame Floor mount U Rack
	Stackability	Yes
	Size WDH (mm)	549x460x690
	Weight KG	10
	Color	Black textured powder coated
Package Including	M5X10mm Allen Bolt	50
	Allen Key 5mm	1
	Cage Nut 10mm	10
	M5 Bolt	40
	Wheels	4
	Mounting Fasteners	No

## 5.2 Product Drawings



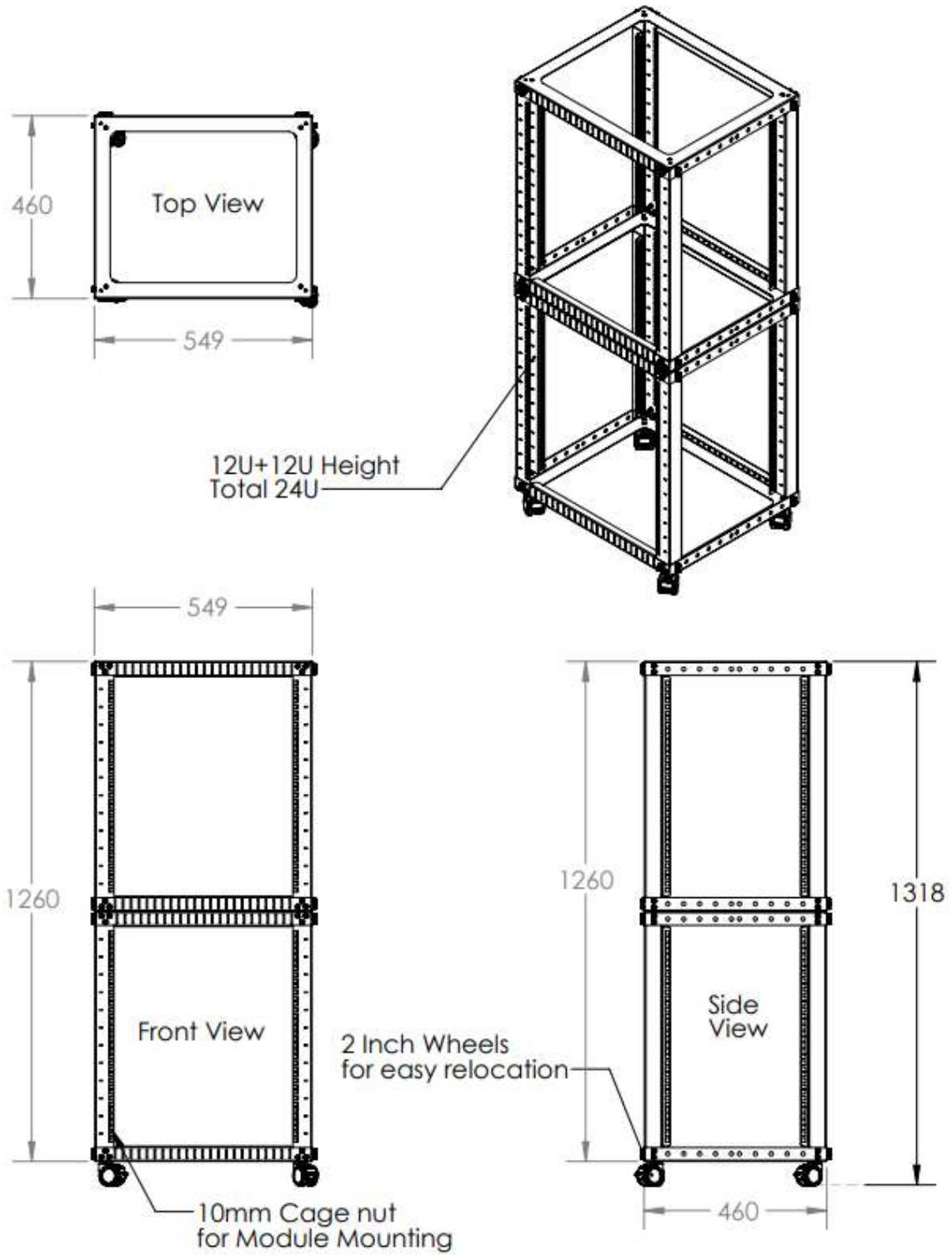
# 6.U Rack 24U - Open Frame Wall Mount Model EMUR-1824UF

## 6.1. Specification



Product Description	Model No.	EMUR-1812UF
	Type	19 Inch Open Frame Floor mount U Rack
	Stackability	Yes
	Size WDH (mm)	549x460x1318
	Weight KG	15
	Color	Black textured powder coated
Package Including	M5X10mm Allen Bolt	80
	Allen Key 5mm	1
	Cage Nut 10mm	10
	M5 Bolt	80
	Wheels	4
	Mounting Fasteners	No

### 6.3. Product Drawings



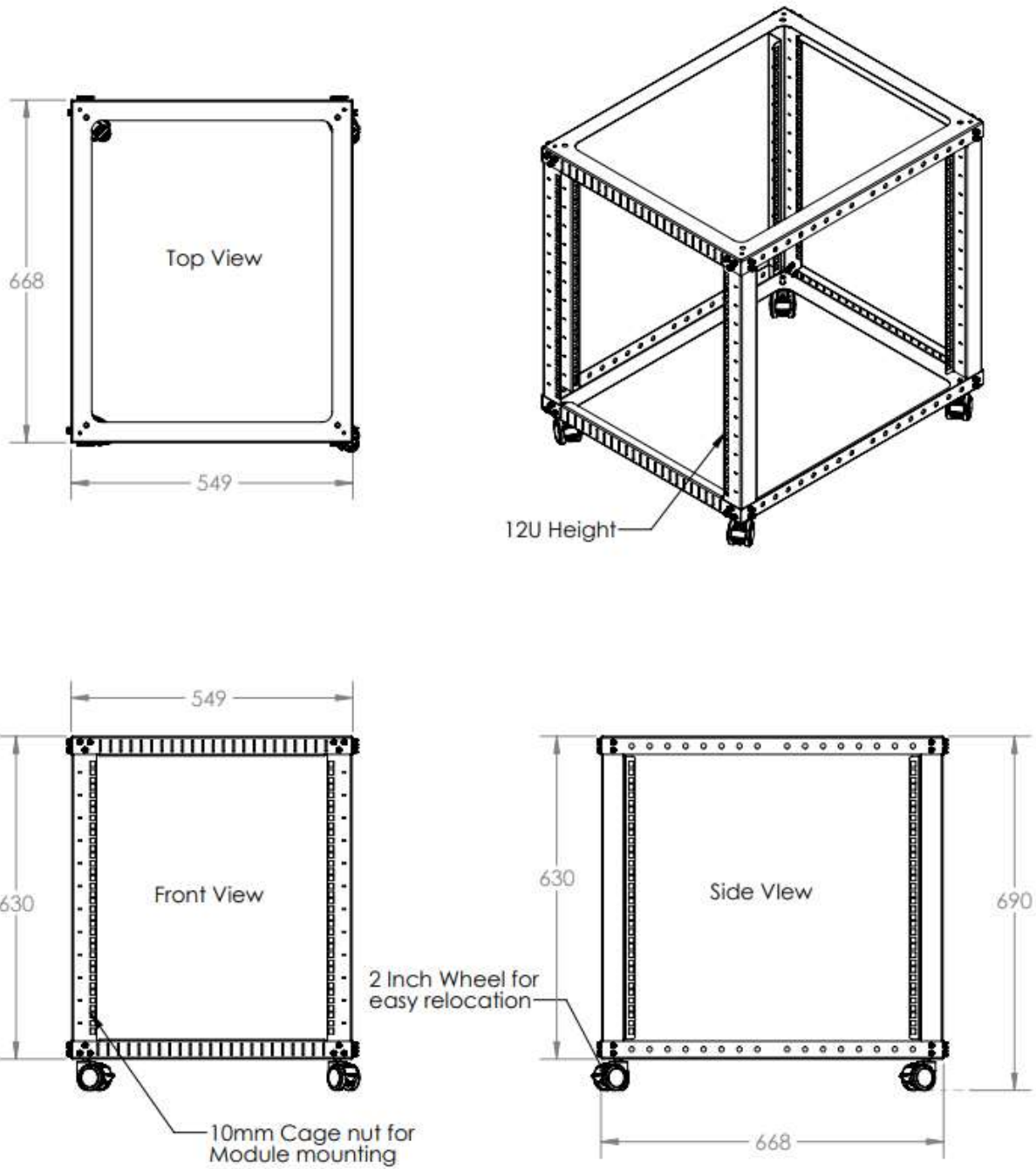
## 7. U Rack 12U - Open Frame Wall Mount Model EMUR-2612UF

### 7.1. Specification



Product Description	Model No.	EMUR-2612UF
	Type	19 Inch Open Frame Floor mount U Rack
	Stackability	Yes
	Size WDH (mm)	549x668x690
	Weight KG	12
	Color	Black textured powder coated
Package Including	M5X10mm Allen Bolt	40
	Allen Key 5mm	1
	Cage Nut 10mm	10
	M5 Bolt	40
	Wheels	4
	Mounting Fasteners	No

## 7.2 Product Drawings



## 8. U Rack 12U - Open Frame Wall Mount Model EMUR-3012UF

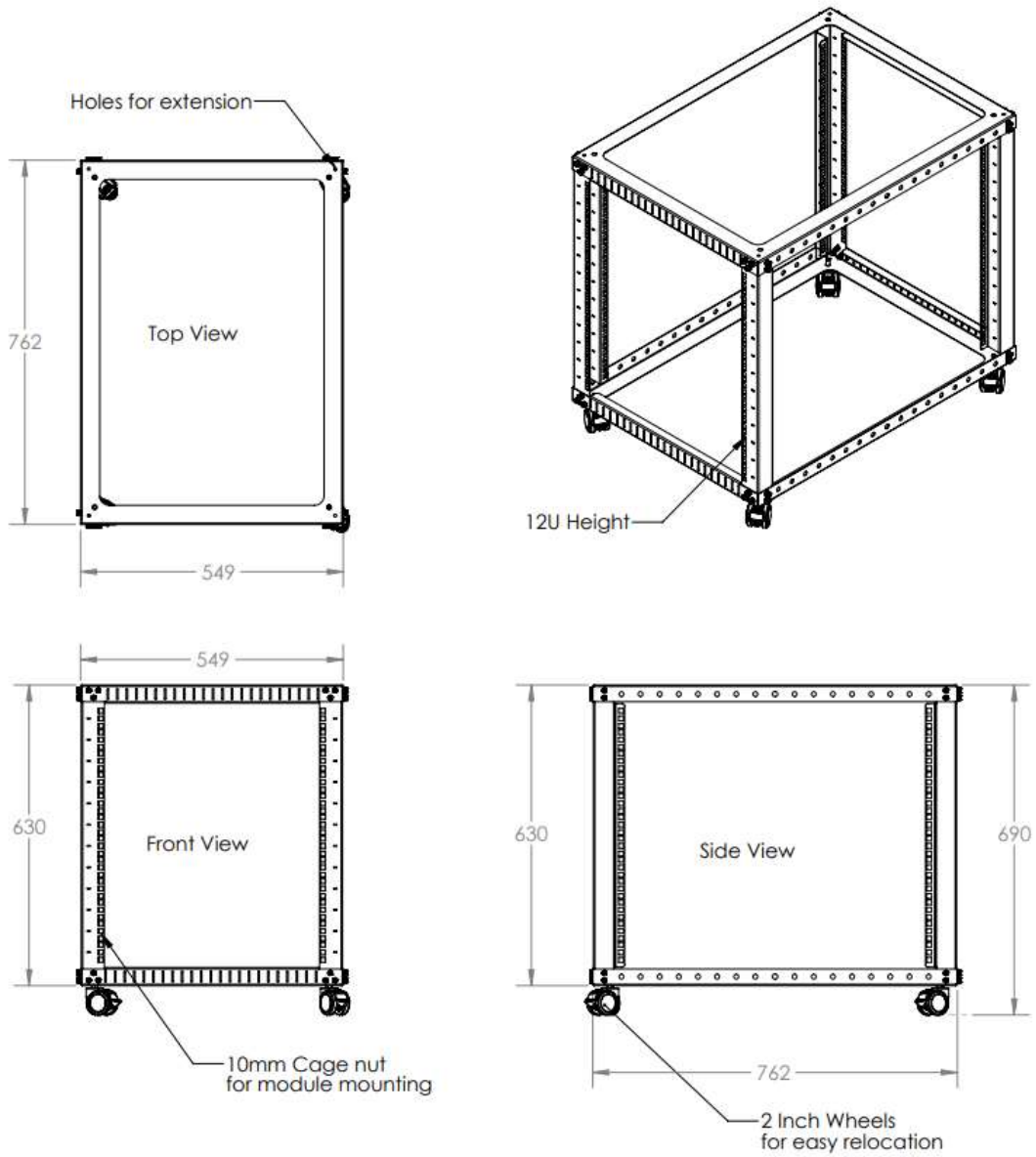
### 8.1. Specification



Product Description	Model No.	EMUR-3012UF
	Type	19 Inch Open Frame Floor mount U Rack
	Stackability	Yes
	Size WDH (mm)	549x762x690
	Weight KG	15
	Color	Black textured powder coated
Package Including	M5X10mm Allen Bolt	40
	Allen Key 5mm	1
	Cage Nut 10mm	10
	M5 Bolt	40
	Wheels	4
	Mounting Fasteners	No



### 8.3. Product Drawings



# 9.Fixed Tray 1U

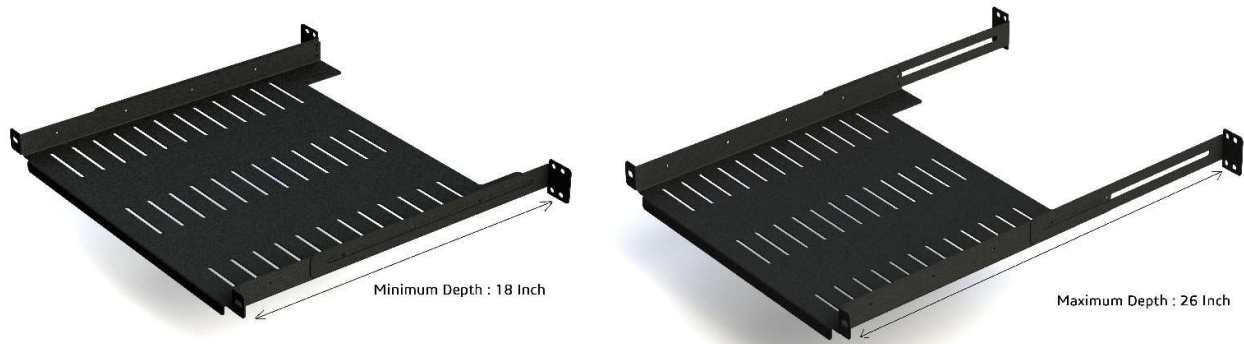
## Model EMUR-18FT

### 9.1. Specification

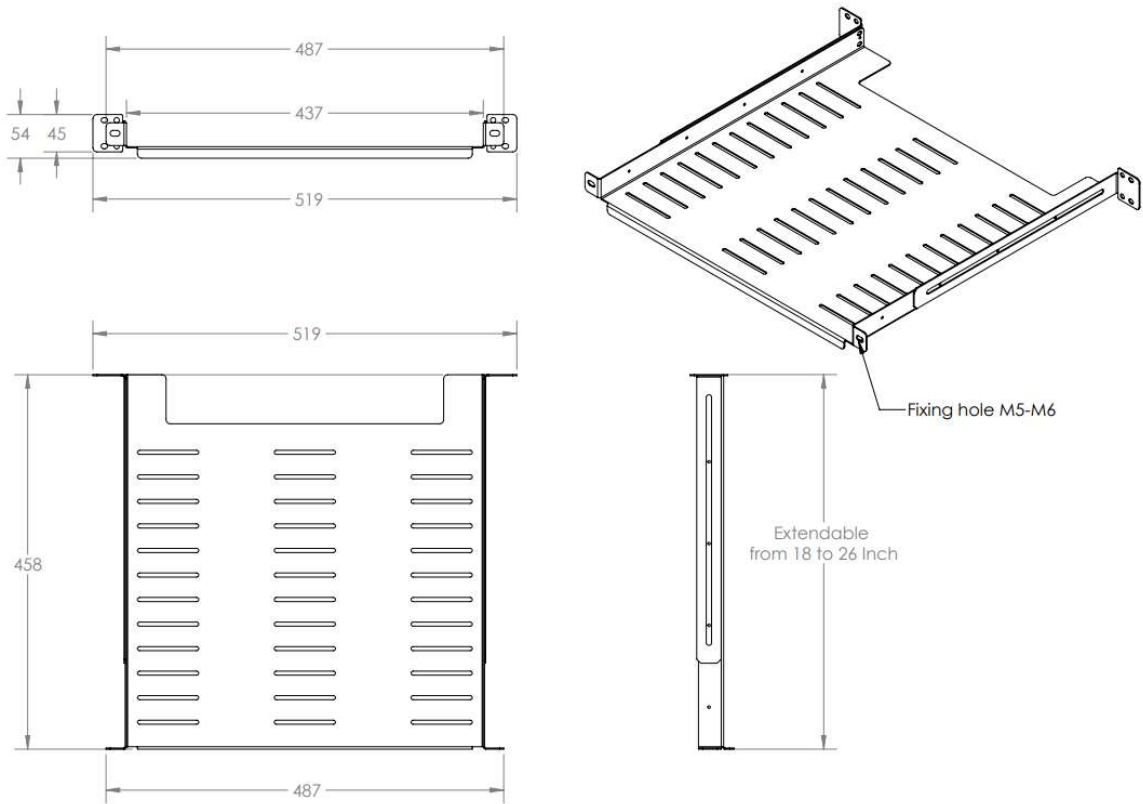


Product Description	Model No.	EMUR-18FT
	Type	19 Inch 1U Fixed Tray
	Depth	18 Inch to 26 Inch
	Size WDH (mm)	487x458x54
	Weight KG	1 Kg
	Color	Black textured powder coated
	Weight Handling	15 Kg
	Sheet Thickness	1.5mm
Package Including	M5X10mm Allen Bolt	8
	Allen Key 5mm	1
	Cage Nut 10mm	8
	Fixed Clamp	2

## 9.2. Installation depth configuration



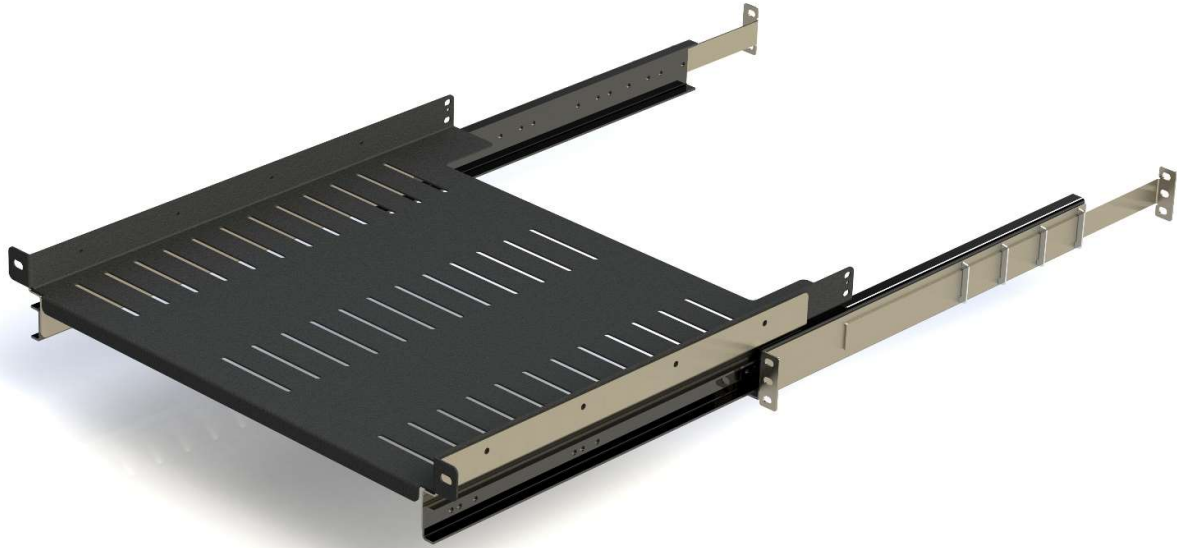
## 9.3. Product Drawings



# 10 Telescopic Tray 1U

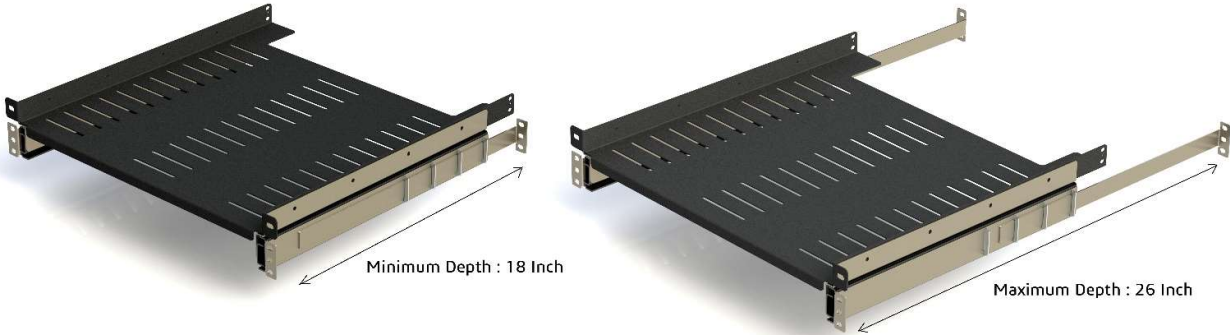
## Model EMUR-18ST

### 10.1. Specification

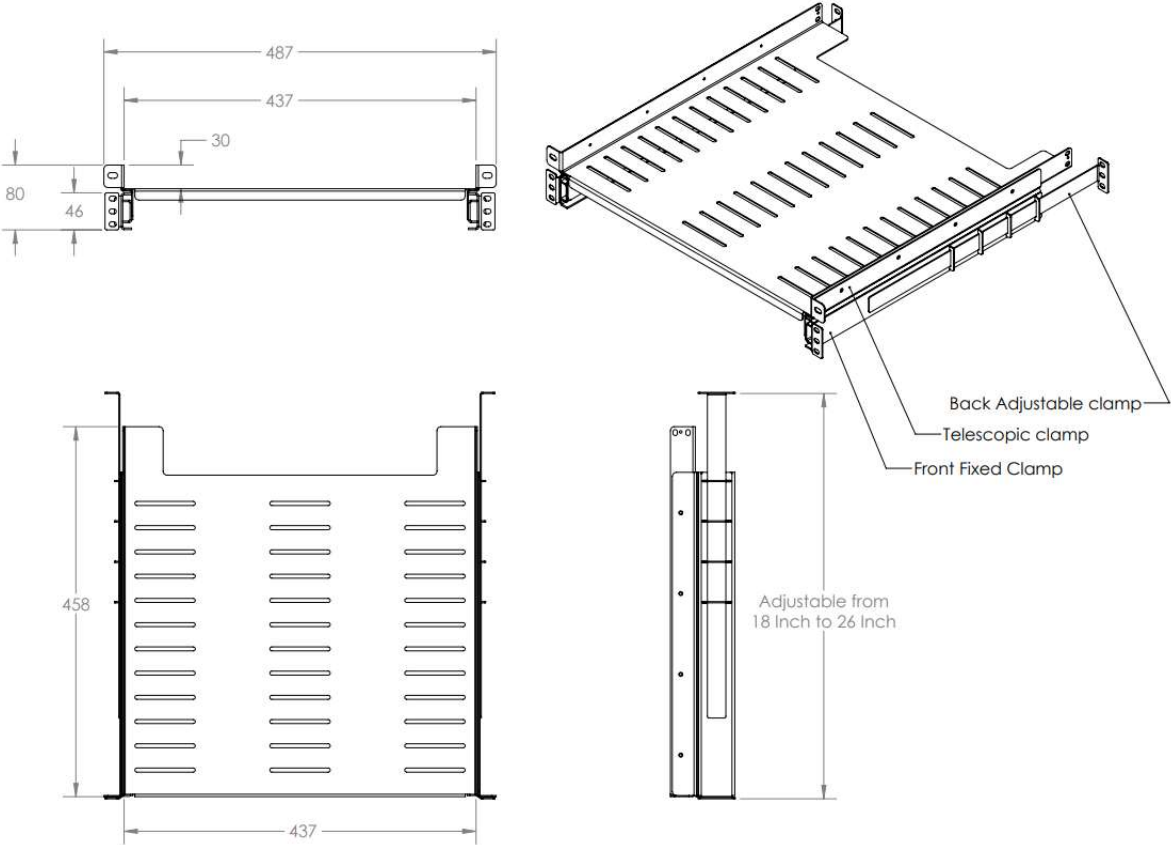


Product Description	Model No.	EMUR-18ST
	Type	19 Inch 1U Telescopic Tray
	Depth	18 Inch to 26 Inch
	Size WDH (mm)	487x458x80
	Weight KG	1 Kg
	Color	Black textured powder coated
	Weight Handling	15 Kg
	Sheet Thickness	1.5mm
Package Including	M5X10mm Allen Bolt	8
	Allen Key 5mm	1
	Cage Nut 10mm	8
	Fixed Clamp	2

## 10.2. Installation depth Configuration



## 10.3. Product Drawings



# 11 Drawer 2U with Lock

## Model EMUR-18SD

### 11.1. Specification



Product Description	Model No.	EMUR-18SD
	Type	19 Inch 2U Lockable drawer
	Depth	18 Inch to 26 Inch
	Size WDH (mm)	487x458x80
	Weight KG	1 Kg
	Color	Black textured powder coated
	Weight Handling	15 Kg
	Sheet Thickness	1.5mm
Package Including	M5X10mm Allen Bolt	8
	Allen Key 5mm	1
	Cage Nut 10mm	8
	Fixed Clamp	2

## 11.2. Modules Assembly



## 11.3. Product Drawings



# 12. 2U NAS Server (Fixed)

## Model EM-182UNAS

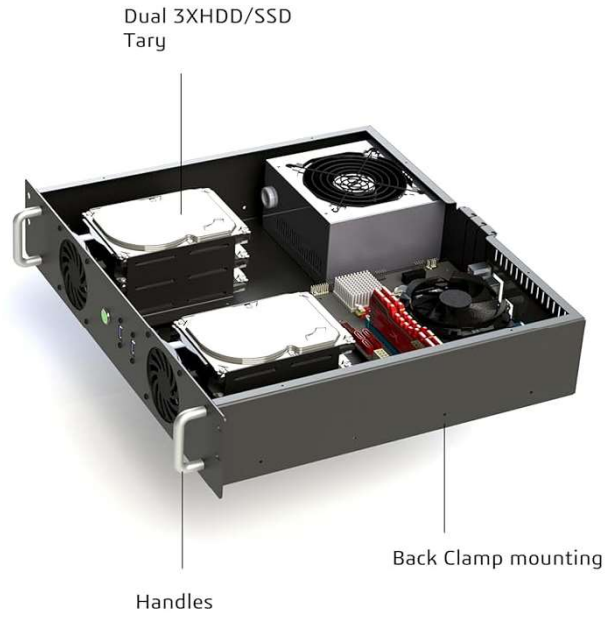
### 12.1. Specification



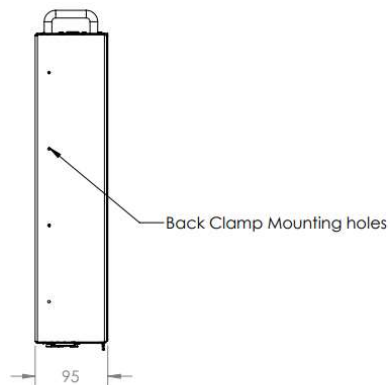
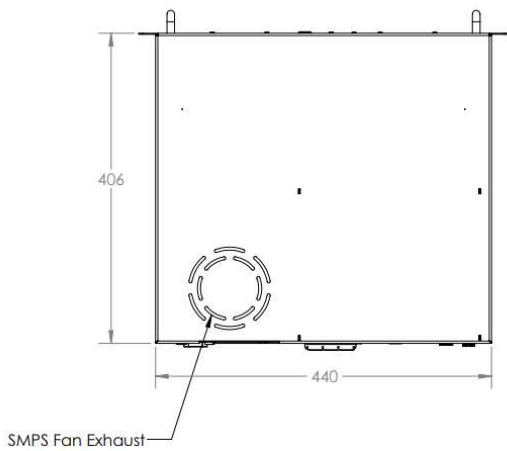
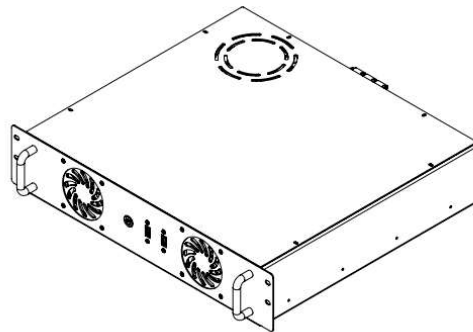
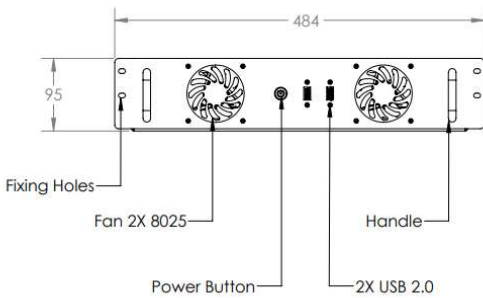
Product Description	Model No.	EM-2UNAS
	Type	19 Inch 2U NAS Server
	Size LWH (mm)	487x458x90
	Weight KG	4
	Color	Black textured powder coated
Cooling	Yes	2 Nos 80X25mm Fan
GPU Support	GPU Support	Low profile GPU 1 Nos
	Maximum GPU Length Support	300mm
Motherboard Support	Motherboard support type	ATX / Mini ITX / Micro ATX
	Maximum CPU Cooling Height	80mm
SMPS Support	SMPS Support type	ATX
	Maximum SMPS Length	200mm
Hard Drive support	No. of Drive support	6
	2.5Inch SSD/HDD Support	Yes
	3.5Inch SSD/HDD Support	Yes
Package Including	Power Button	1
	Installation nuts & bolts M5x10	20
	Allen Key 4mm	1
	SMPS Mounting Screw	4
	GPU Mounting Screw	3
	Motherboard Mounting Screw M3x10	10



## 12.2. Modules Assembly



## 12.3. Product Drawings



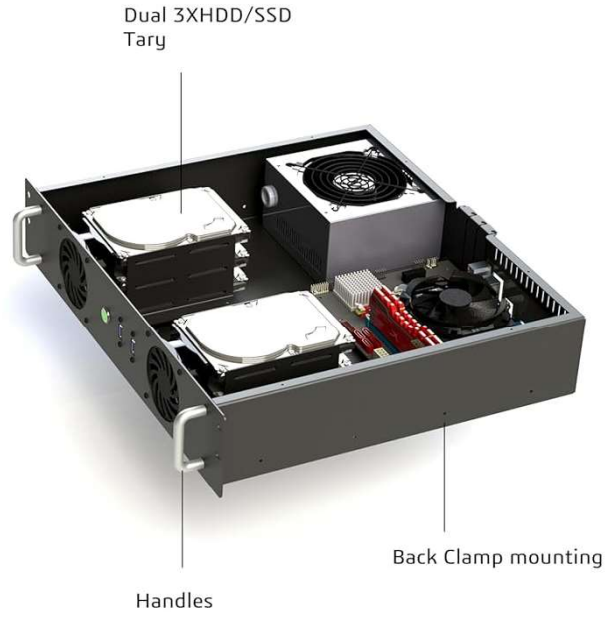
# 13 2U NAS Server (Telescopic) Model EM-182UNASTC

## 13.1. Specification



Product Description	Model No.	EM-2UNASTC
	Type	19 Inch 2U NAS Server
	Size LWH (mm)	487x458x90
	Weight KG	4
	Color	Black textured powder coated
Cooling	Yes	2 Nos 80X25mm Fan
GPU Support	GPU Support	Low profile GPU 1 Nos
	Maximum GPU Length Support	300mm
Motherboard Support	Motherboard support type	ATX / Mini ITX / Micro ATX
	Maximum CPU Cooling Height	80mm
SMPS Support	SMPS Support type	ATX
	Maximum SMPS Length	200mm
Hard Drive support	No. of Drive support	6
	2.5Inch SSD/HDD Support	Yes
	3.5Inch SSD/HDD Support	Yes
Package Including	Power Button	1
	Installation nuts & bolts M5x10	20
	Allen Key 4mm	1
	SMPS Mounting Screw	4
	GPU Mounting Screw	3
	Motherboard Mounting Screw M3x10	10

## 13.2. Modules Assembly



## 13.3. Product Drawings

