

# X T R E M E M I N E R<sup>TM</sup>

## Product catalogue

**Website :[www.XtremeMiner.com](http://www.XtremeMiner.com)**

XtremeMiner Authorised Distributor (INDIA)

Shree Peripherals,  
Dadri Main Road, Yamaha Vihar,  
Baraula, Sector 49, Noida,  
Uttar Pradesh 201301, INDIA  
Mail :[Shree.peripheral@gmail.com](mailto:Shree.peripheral@gmail.com)  
Contact :+91 7701963095  
Updated on : 15 July 2022

Document Rev : 2.3

## Table of Contents

<b>1. About Us</b>	4
<b>1.1. INDIA's Largest Mining Rig Frames Maker</b>	4
<b>1.2. Long Life Stackable frames with Cooling</b>	4
<b>2. Overview</b>	5
<b>3. Mining Rig Mini</b>	6
3.1. Specification	6
3.2. Modules Assembly	7
3.3. Product Drawings	7
<b>4. Mining Rig Mini D</b>	8
4.1. Specification	8
4.3. Modules Assembly	9
4.3. Product Drawings	9
<b>5 Mining Rig Mini F</b>	10
5.1. Specification	10
5.2. Modules Assembly	11
5.3. Product Drawings	11
<b>6 Mining Rig V 1</b>	12
6.1. Specification	12
6.2. Modules Assembly	13
6.3. Product Drawings	13
<b>7 Mining Rig V 1 F</b>	14
7.1. Specification	14
7.2. Modules Assembly	15
7.3. Product Drawings	15
<b>8 Mining Rig V 2</b>	16
8.1. Specification	16
8.2. Modules Assembly	17
8.3. Product Drawings	17
<b>9 Mining Rig V 2 F</b>	18
9.1. Specification	18
9.2. Modules Assembly	19
9.3. Product Drawings	19
<b>10 Mining Rig V 3</b>	20
10.1. Specification	20
10.2. Modules Assembly	21
10.3. Product Drawings	21

<b>11 Mining Rig V 4</b> .....	22
11.1. Specification .....	22
11.2. Modules Assembly.....	23
11.3. Product Drawings.....	23
<b>12 Mining Rig V 5</b> .....	24
12.1. Specification .....	24
12.2. Modules Assembly.....	25
12.3. Product Drawings.....	25
<b>13 Mining Rig V 6</b> .....	26
13.1. Specification .....	26
13.2. Modules Assembly.....	27
13.3. Product Drawings.....	27
<b>14 Cooling Modules</b> .....	28
14.1. Cooling fans for Mining Rig .....	28

# 1. About Us

## 1.1. INDIA's Largest Mining Rig Frames Maker

XtremeMiner was established at the end of 2020 in NOIDA U.P, all the products are design and developed in INDIA with the help of World PC Gaming Territories & Gaming Species, XtremeMiner having lots of experience in building Computer frames and all types of frames related to Servers and Mining Farms, Our products are available online and offline, through SHREE PERIPHERALS as our distribution partner for all over India.

XtremeMiner having own Laser Machines, Bending Machines, Powder Coating Ovens, We are the only manufacturer in INDIA who giving Mining Rig Frames with forced convection.

## 1.2. Long Life Stackable frames with Cooling

Our mining Rigs are specially designed considering easy mounting and unmounting of graphics cards, we are supporting all ATX design rules,

Our frames support all ATX SMPS, Motherboard, HDD/SSD.

Our frames support all PCI Risers like, 007S,008S,009S,009S Pro, X16 H, X16 V Mount Riser.

We manufacture our frames in Mild Steel in 1.5mm Thickness, with textured Black Finish. This thickness gives power to frames to hold multiple layers of graphic cards stackability.

We use Industrial Grade High end cooling fan of FOURDOT COOLINGS Monster series for cooling our mining frames, User can also use their own fans as we give standard fitting for 92mm & 120mm Fans.

Monster series High end range runs up to 4000 RPM, within control of the system, it automatically reduces speed when not required.

All the fan can attached with dust filter if required by users.

Metal grills are in default attachment for safety.

## 2. Overview

Model	Type	GPU	SMPS	Mobo	Fan Spec	Price INR
Mining Rig Mini	Open type single GPU Layer	5	1	1	No cooling included	3700
Mining Rig Mini D	Open type double GPU Layer	8	2	1	No cooling included	5900
Mining Rig Mini F	Open type double GPU Layer	8	2	1	10 - 92mm 2500rpm	9500
Mining Rig V 1	Open type single GPU Layer	5	1	1	5 - 92mm 4000rpm	7500
Mining Rig V 1 F	Open type double GPU Layer	8	3	1	10 - 92mm 4000rpm	11900
Mining Rig V 2	Open type single GPU Layer	6	2	1	6 - 92mm 4000rpm	9500
Mining Rig V 2 F	Open type double GPU Layer	12	4	1	12 - 92mm 4000rpm	15500
Mining Rig V 3	Close type single GPU Layer	6	2	1	5 - 120mm 4000rpm	14900
Mining Rig V 4	Close type double GPU Layer	12	4	1	12 - 92mm 4000rpm	--
Mining Rig V 5	Close type double GPU Layer	12	4	2	10 - 120mm 4000rpm	16900
Mining Rig V 6	Close type double GPU Layer	12	3	1	16 - 92mm 4000rpm	15900

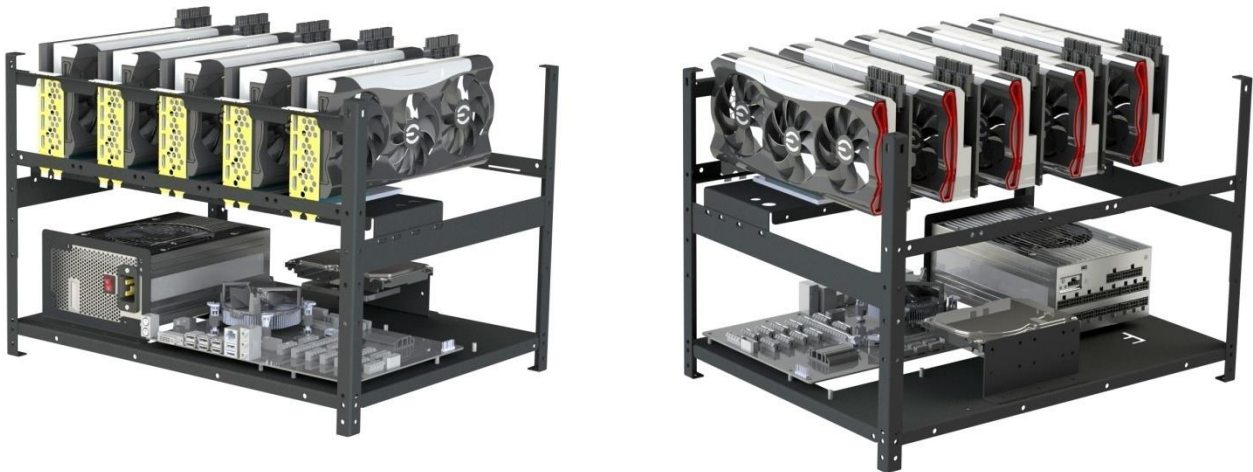
## 3. Mining Rig Mini

### 3.1. Specification

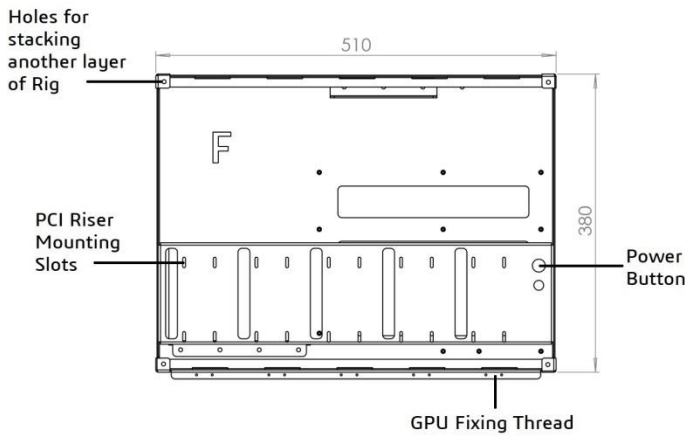


Product Description	Model No.	XM-MRVO Rev D
	Type	Open type mining rig frame without cooling
	Stackability	Yes
	Size LWH	510x380x356
	Weight KG	8
	Color	Black textured powder coated
Cooling Assembly		Mining Rig Mini doesn't come with inbuilt cooling assembly, you have to buy it separately, to buy cooling assembly go to //cooling extensions/Cooling Assembly - Mini
GPU Support	Maximum No. of GPU on chassis	5
	Centre distance b/w GPU	92mm
	Maximum GPU Length Support	380mm
Motherboard Support	Motherboard support type	ATX / Mini ITX / Micro ATX / E ATX
	No. of motherboard support	1
	Maximum CPU Cooling Height	150mm
SMPS Support	SMPS Support type	ATX
	No. of SMPS Support	1
	Maximum SMPS Length	320mm
Hard Drive support	No. of Drive support	2
	2.5Inch SSD/HDD Support	Yes
	3.5Inch SSD/HDD Support	Yes
Package Including	Power Button	1
	Rig assembly nuts & bolts M5x10	24
	Allen Key 4mm	1
	Riser Mounting nuts & bolts	20
	GPU Mounting Screw	10
	Motherboard Mounting Screw M3x10	10

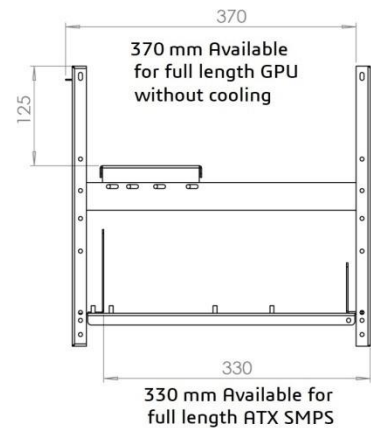
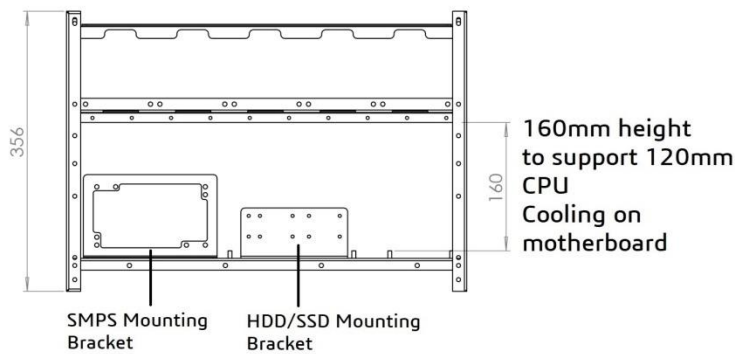
### 3.2 Modules Assembly



### 3.3 Product Drawings



Center Distance between GPU - 92 mm  
 Cooling Assembly does not comes with this Rig as default, you have to buy separately from //Cooling extension/Cooling Assembly Mini



# 4. Mining Rig Mini D

## 4.1. Specification



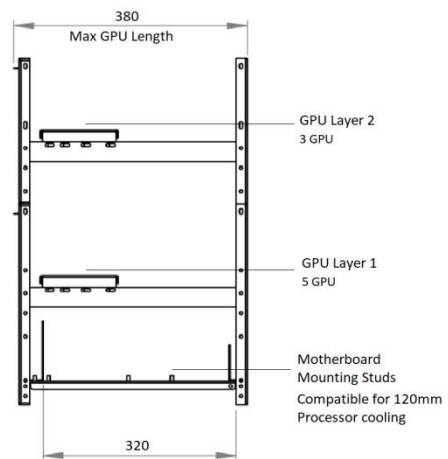
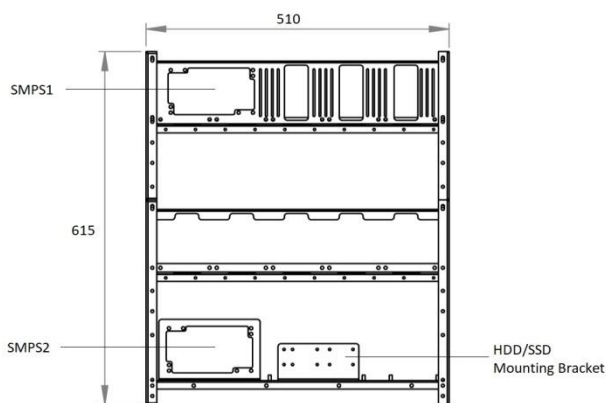
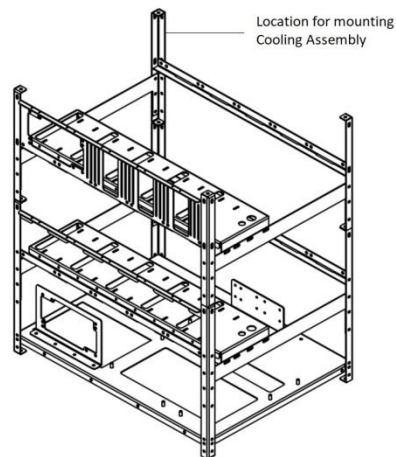
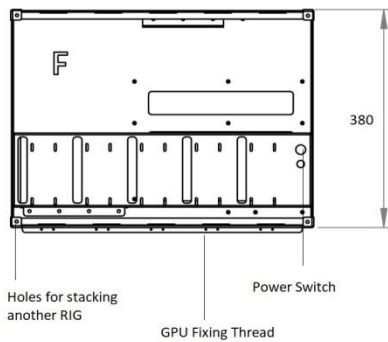
Product Description	Model No.	XM-MRV0-D Rev D
	Type	Open type mining rig frame without cooling
	Stackability	Yes
	Size LWH	510x380x615
	Weight KG	11
	Color	Black textured powder coated
Cooling Assembly		Mining Rig Mini doesn't come with inbuilt cooling assembly, you have to buy it separately, to buy cooling assembly go to //cooling extensions/Cooling Assembly - Mini
GPU Support	Maximum No. of GPU on chassis	8
	Centre distance b/w GPU	92mm
	Maximum GPU Length Support	380mm
Motherboard Support	Motherboard support type	ATX / Mini ITX / Micro ATX / E ATX
	No. of motherboard support	1
	Maximum CPU Cooling Height	150mm
SMPS Support	SMPS Support type	ATX
	No. of SMPS Support	2
	Maximum SMPS Length	320mm
Hard Drive support	No. of Drive support	2
	2.5Inch SSD/HDD Support	Yes
	3.5Inch SSD/HDD Support	Yes
Package Including	Power Button	1
	Rig assembly nuts & bolts M5x10	44
	Allen Key 4mm	1
	Riser Mounting nuts & bolts	36
	GPU Mounting Screw	18
	Motherboard Mounting Screw M3x10	10



### 4.3 Modules Assembly



### 4.3 Product Drawings



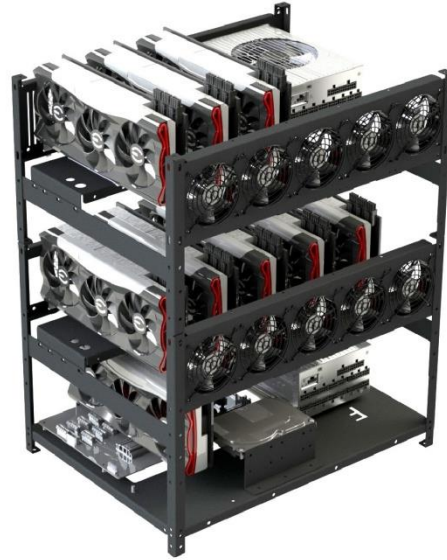
# 5 Mining Rig Mini F

## 5.1. Specification

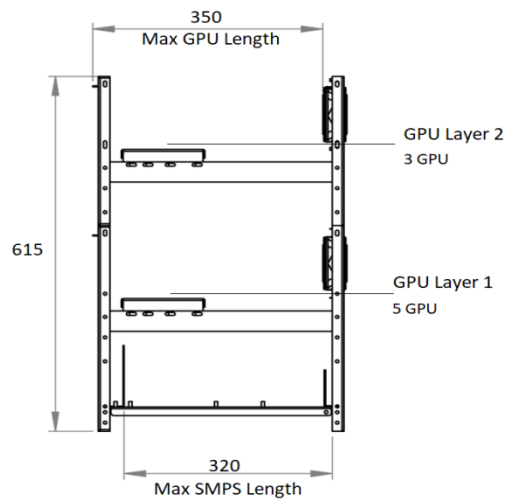
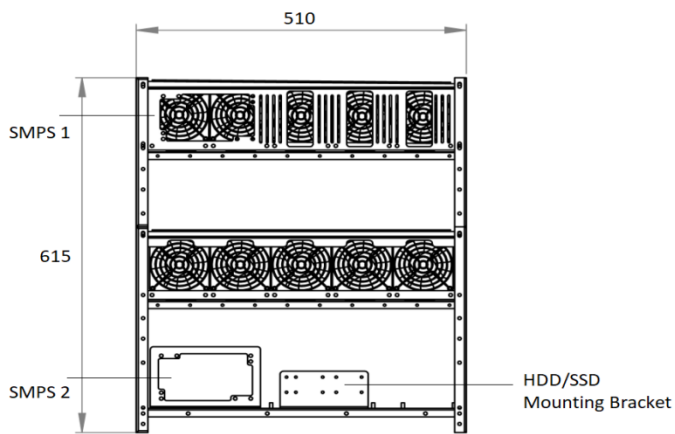
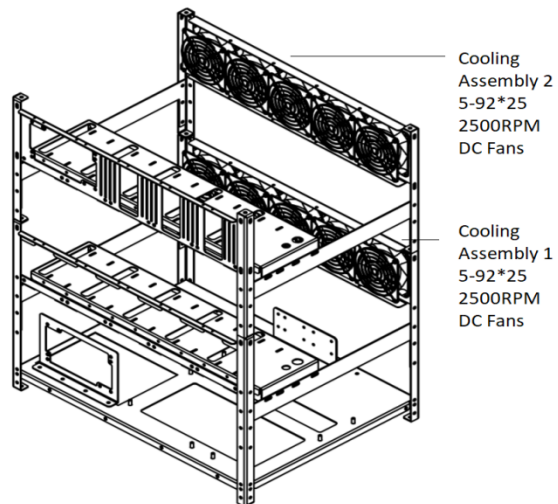
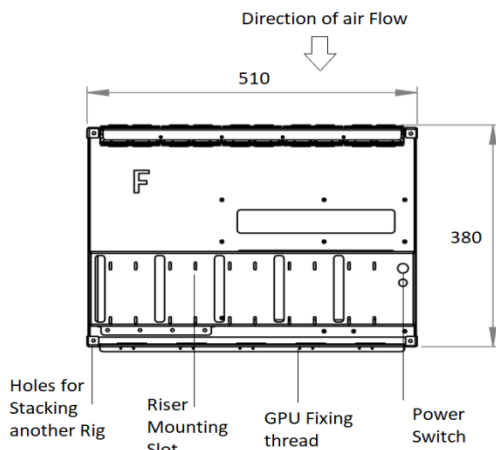


Product Description	Model No.	XM-MRV0-F Rev D
	Type	Open type mining rig frame with cooling
	Stackability	Yes
	Size LWH	510x380x615
	Weight KG	13
	Color	Black textured powder coated
Cooling Assembly		10Nos 92x25 2500RPM DC Fan 400CFM 12V 4+4Amp 50+50Watt
GPU Support	Maximum No. of GPU on chassis	5
	Centre distance b/w GPU	92mm
	Maximum GPU Length Support	350mm
Motherboard Support	Motherboard support type	ATX / Mini ITX / Micro ATX / E ATX
	No. of motherboard support	1
	Maximum CPU Cooling Height	150mm
SMPS Support	SMPS Support type	ATX
	No. of SMPS Support	2
	Maximum SMPS Length	320mm
Hard Drive support	No. of Drive support	2
	2.5Inch SSD/HDD Support	Yes
	3.5Inch SSD/HDD Support	Yes
Package Including	Power Button	1
	Rig assembly nuts & bolts M5x10	44
	Allen Key 4mm	1
	Riser Mounting nuts & bolts	36
	GPU Mounting Screw	18
	Motherboard Mounting Screw M3x10	10

## 5.2. Modules Assembly



## 5.3. Product Drawings



# 6 Mining Rig V 1

## 6.1. Specification

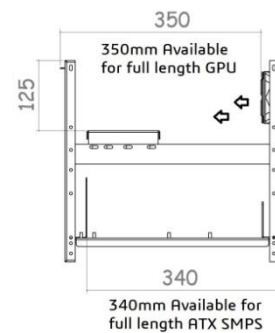
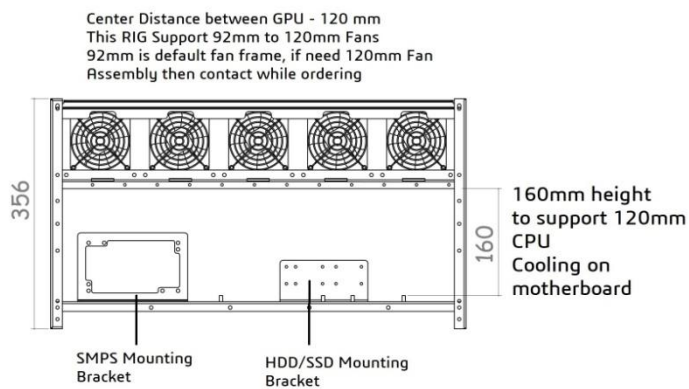
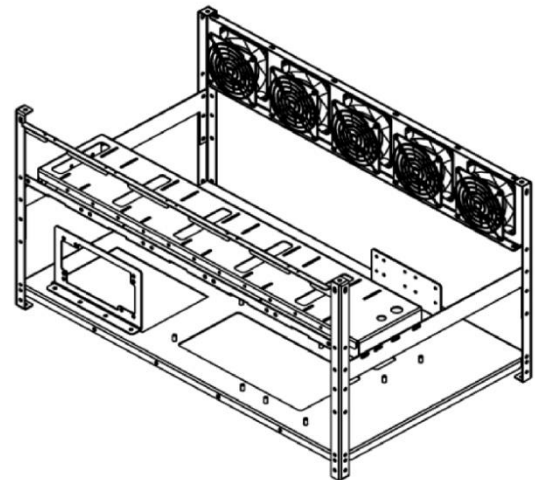
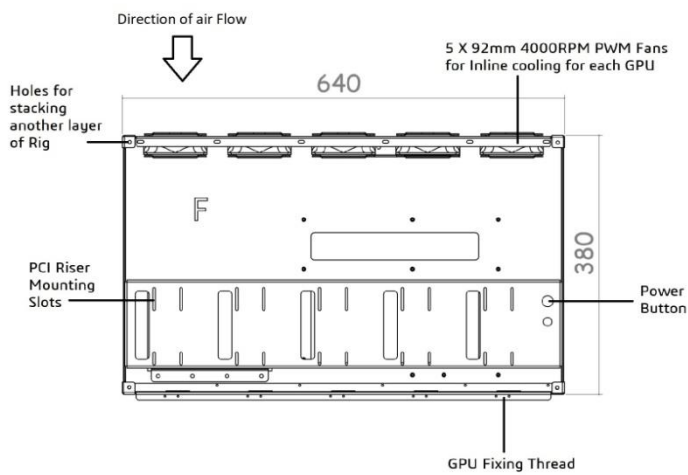


Product Description	Model No.	XM-MRV1 Rev D
	Type	Open type mining rig frame with cooling
	Stackability	Yes
	Size LWH	640x380x356
	Weight KG	10
	Color	Black textured powder coated
Cooling Assembly		5Nos 92x25 4000RPM PWM Fan 250CFM 12V 5Amp 60Watt
GPU Support	Maximum No. of GPU on chassis	5
	Centre distance b/w GPU	120mm
	Maximum GPU Length Support	350mm
Motherboard Support	Motherboard support type	ATX / Mini ITX / Micro ATX / E ATX
	No. of motherboard support	1
	Maximum CPU Cooling Height	150mm
SMPS Support	SMPS Support type	ATX
	No. of SMPS Support	1
	Maximum SMPS Length	340mm
Hard Drive support	No. of Drive support	2
	2.5Inch SSD/HDD Support	Yes
	3.5Inch SSD/HDD Support	Yes
Package Including	Power Button	1
	Rig assembly nuts & bolts M5x10	24
	Allen Key 4mm	1
	Riser Mounting nuts & bolts	20
	GPU Mounting Screw	10
	Motherboard Mounting Screw M3x10	10

## 6.2. Modules Assembly



## 6.3. Product Drawings



# 7 Mining Rig V 1 F

## 7.1. Specification

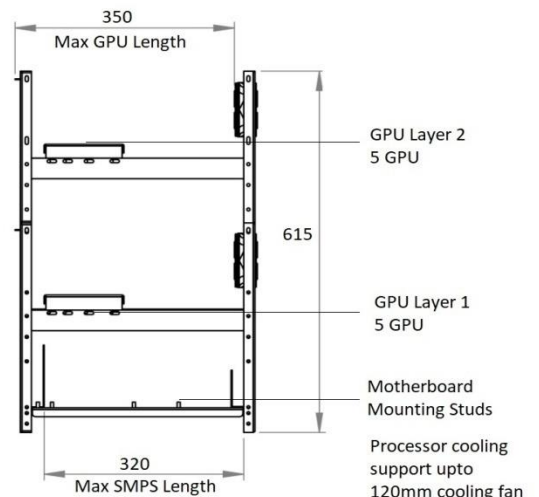
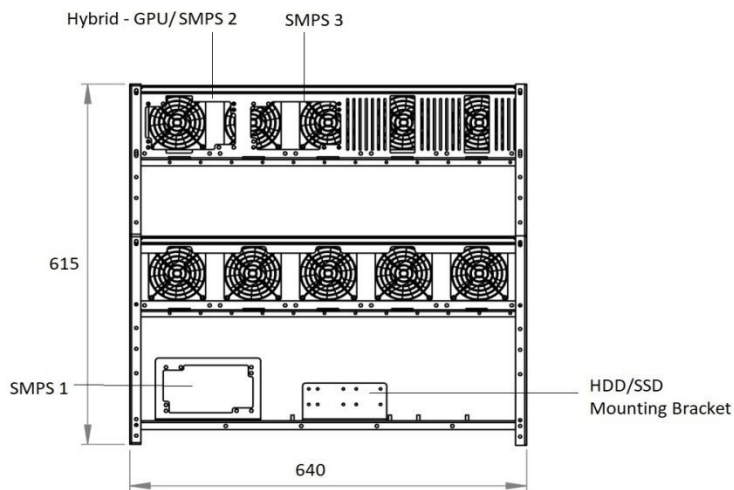
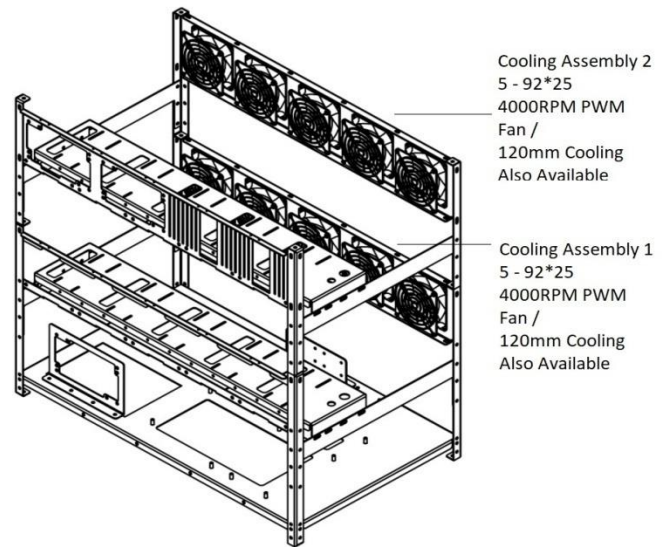
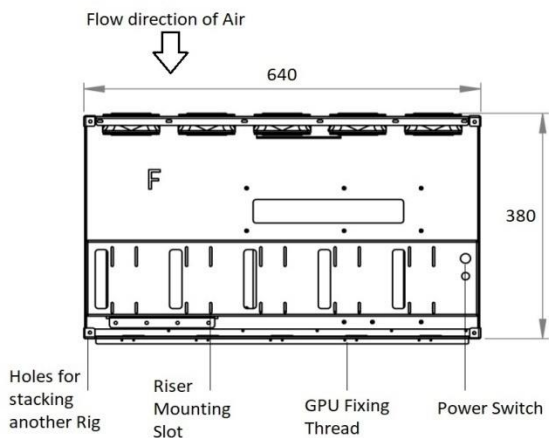


Product Description	Model No.	XM-MRV1-F Rev D
	Type	Open type mining rig frame with cooling
	Stackability	Yes
	Size LWH	640x380x615
	Weight KG	15
	Color	Black textured powder coated
Cooling Assembly	Inbuilt : 92x25mm 4000RPM Optional :120x38mm 4000RPM	10Nos 92x25 4000RPM PWM Fan 500CFM 12V 5+5Amp 60+60Watt
GPU Support	Maximum No. of GPU on chassis	8
	Centre distance b/w GPU	120mm
	Maximum GPU Length Support	330mm
Motherboard Support	Motherboard support type	ATX / Mini ITX / Micro ATX / E ATX
	No. of motherboard support	1
	Maximum CPU Cooling Height	150mm
SMPS Support	SMPS Support type	ATX
	No. of SMPS Support	2 SMPS, 1 Hybrid SMPS/GPU
	Maximum SMPS Length	320mm
Hard Drive support	No. of Drive support	2
	2.5Inch SSD/HDD Support	Yes
	3.5Inch SSD/HDD Support	Yes
Package Including	Power Button	1
	Rig assembly nuts & bolts M5x10	44
	Allen Key 4mm	1
	Riser Mounting nuts & bolts	36
	GPU Mounting Screw	18
	Motherboard Mounting Screw M3x10	10

## 7.2. Modules Assembly



## 7.3. Product Drawings



# 8 Mining Rig V 2

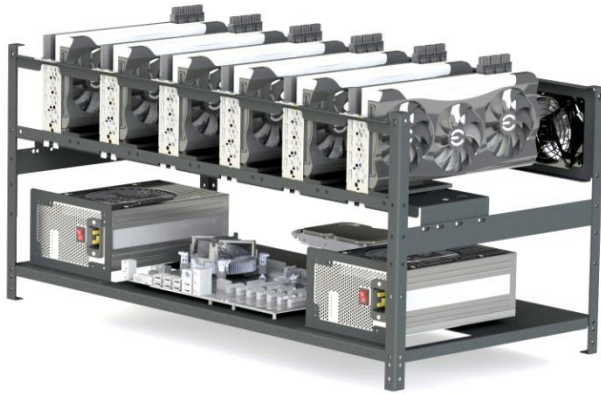
## 8.1. Specification



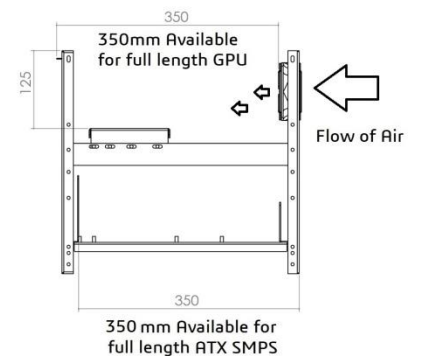
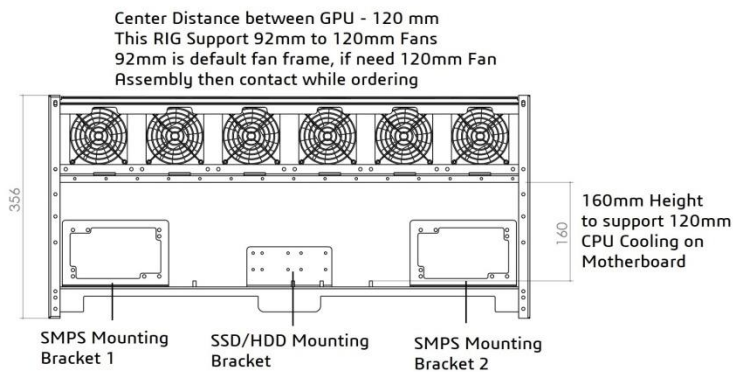
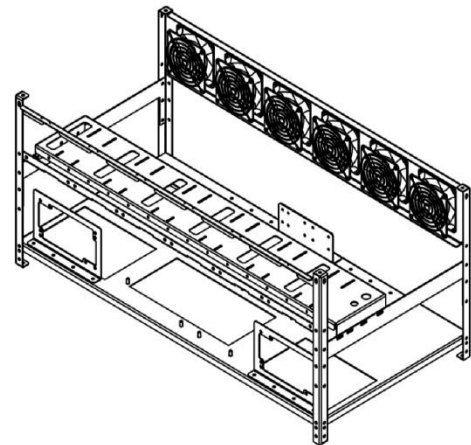
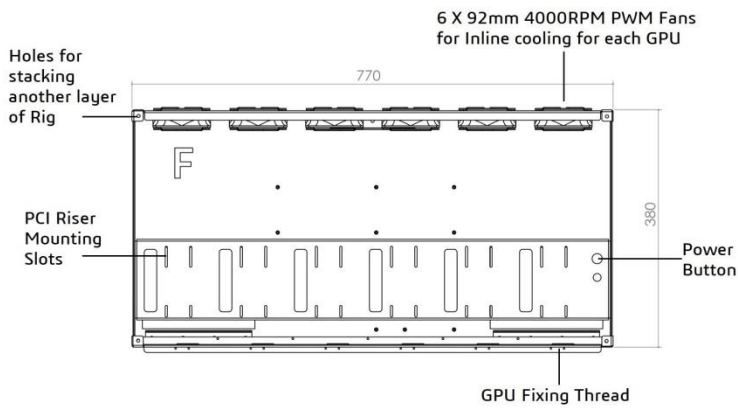
Product Description	Model No.	XM-MRV2 Rev D
	Type	Open type mining rig frame with cooling
	Stackability	Yes
	Size LWH	770x380x356
	Weight KG	12
	Color	Black textured powder coated
Cooling Assembly	Inbuilt : 92x25mm 4000RPM Optional :120x38mm 4000RPM	5Nos 92x25 4000RPM PWM Fan 250CFM 12V 5Amp 60Watt
GPU Support	Maximum No. of GPU on chassis	6
	Centre distance b/w GPU	120mm
	Maximum GPU Length Support	350mm
Motherboard Support	Motherboard support type	ATX / Mini ITX / Micro ATX / E ATX
	No. of motherboard support	1
	Maximum CPU Cooling Height	150mm
SMPS Support	SMPS Support type	ATX
	No. of SMPS Support	2
	Maximum SMPS Length	350mm
Hard Drive support	No. of Drive support	2
	2.5Inch SSD/HDD Support	Yes
	3.5Inch SSD/HDD Support	Yes
Package Including	Power Button	1
	Rig assembly nuts & bolts M5x10	28
	Allen Key 4mm	1
	Riser Mounting nuts & bolts	24
	GPU Mounting Screw	12
	Motherboard Mounting Screw M3x10	10



## 8.2. Modules Assembly



## 8.3. Product Drawings



# 9 Mining Rig V 2 F

## 9.1. Specification

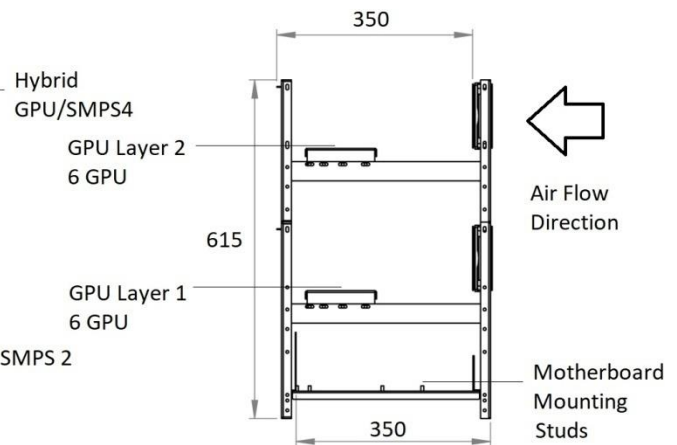
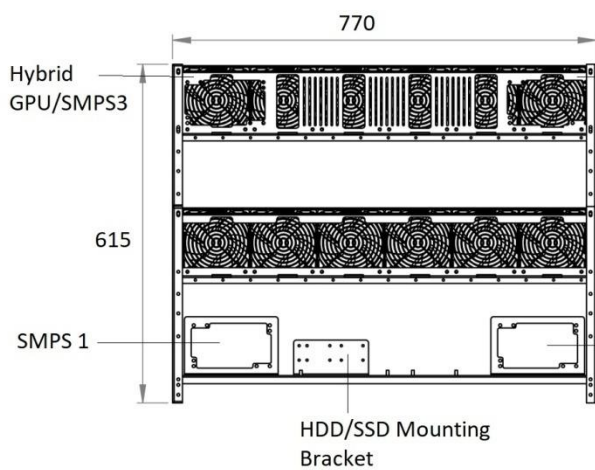
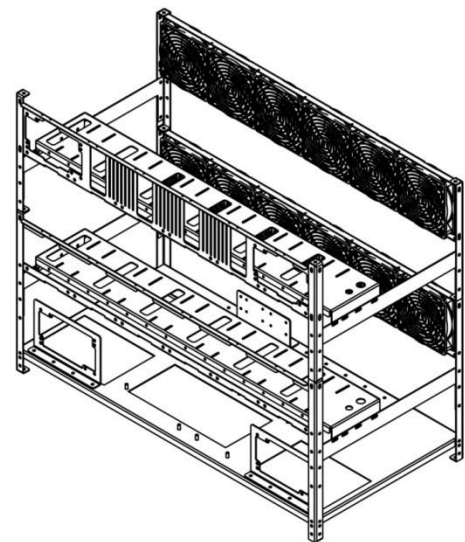
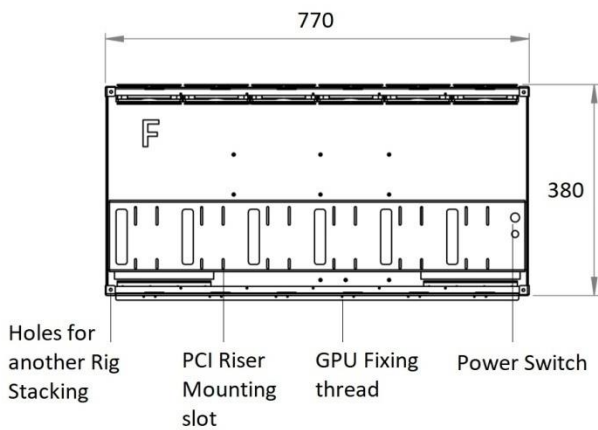


Product Description	Model No.	XM-MRV2-F Rev D
	Type	Open type mining rig frame with cooling
	Stackability	Yes
	Size LWH	770x380x356
	Weight KG	18
	Color	Black textured powder coated
Cooling Assembly	Inbuilt : 92x25mm 4000RPM Optional :120x38mm 4000RPM	12Nos 92x25 4000RPM PWM Fan 600CFM 12V 6+6Amp 72+72Watt
GPU Support	Maximum No. of GPU on chassis	12
	Centre distance b/w GPU	120mm
	Maximum GPU Length Support	350mm
Motherboard Support	Motherboard support type	ATX / Mini ITX / Micro ATX / E ATX
	No. of motherboard support	1
	Maximum CPU Cooling Height	150mm
SMPS Support	SMPS Support type	ATX
	No. of SMPS Support	2 SMPS, 2 Hybrid SMPS/GPU
	Maximum SMPS Length	350mm
Hard Drive support	No. of Drive support	2
	2.5Inch SSD/HDD Support	Yes
	3.5Inch SSD/HDD Support	Yes
Package Including	Power Button	1
	Rig assembly nuts & bolts M5x10	44
	Allen Key 4mm	1
	Riser Mounting nuts & bolts	36
	GPU Mounting Screw	18
	Motherboard Mounting Screw M3x10	10

## 9.2. Modules Assembly



## 9.3. Product Drawings



# 10 Mining Rig V 3

## 10.1. Specification

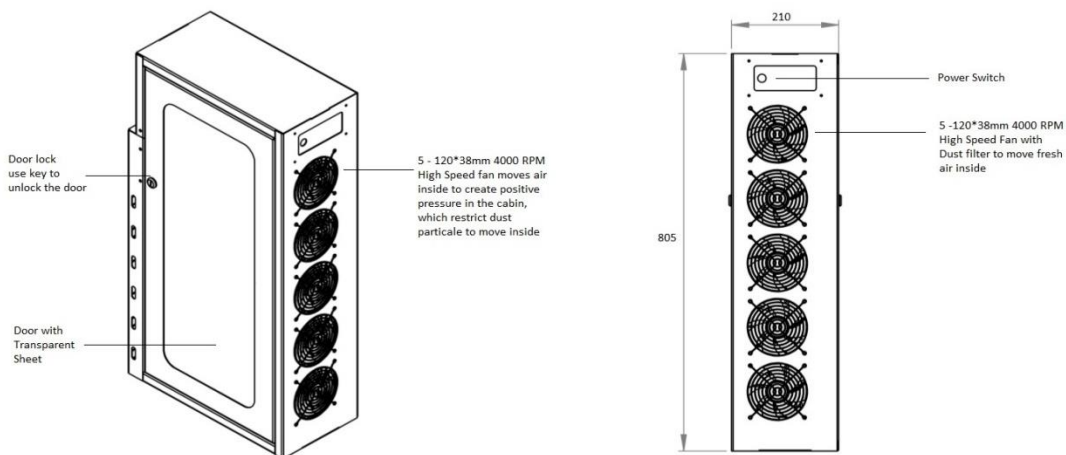
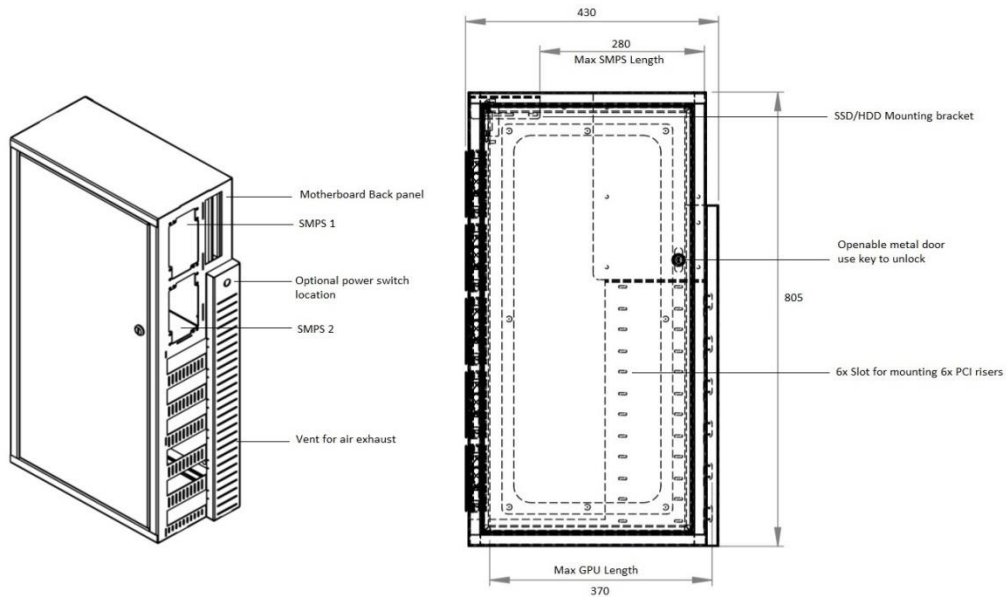


Product Description	Model No.	XM-MRV3 Rev D
	Type	Close type mining Rig frame with cooling
	Stackability	No
	Size LWH	805x210x430
	Weight KG	20
	Color	Black textured powder coated
Cooling Assembly		5Nos 120x38 4000RPM Fan 500CFM 12V 6Amp 72Watt
GPU Support	Maximum No. of GPU on chassis	6
	Centre distance b/w GPU	75mm
	Maximum GPU Length Support	370mm
Motherboard Support	Motherboard support type	ATX / Mini ITX / Micro ATX / E ATX
	No. of motherboard support	1
	Maximum CPU Cooling Height	100mm
SMPS Support	SMPS Support type	ATX
	No. of SMPS Support	2
	Maximum SMPS Length	280mm
Hard Drive support	No. of Drive support	1
	2.5Inch SSD/HDD Support	Yes
	3.5Inch SSD/HDD Support	Yes
Package Including	Power Button	1
	Door Lock Keys	2
	Acrylic Transparent sheet 6mm	1
	Riser Mounting nuts & bolts	24
	GPU Mounting Screw	12
	Motherboard Mounting Screw M3x10	10

## 10.2. Modules Assembly



## 10.3. Product Drawings



# 11 Mining Rig V 4

## 11.1. Specification

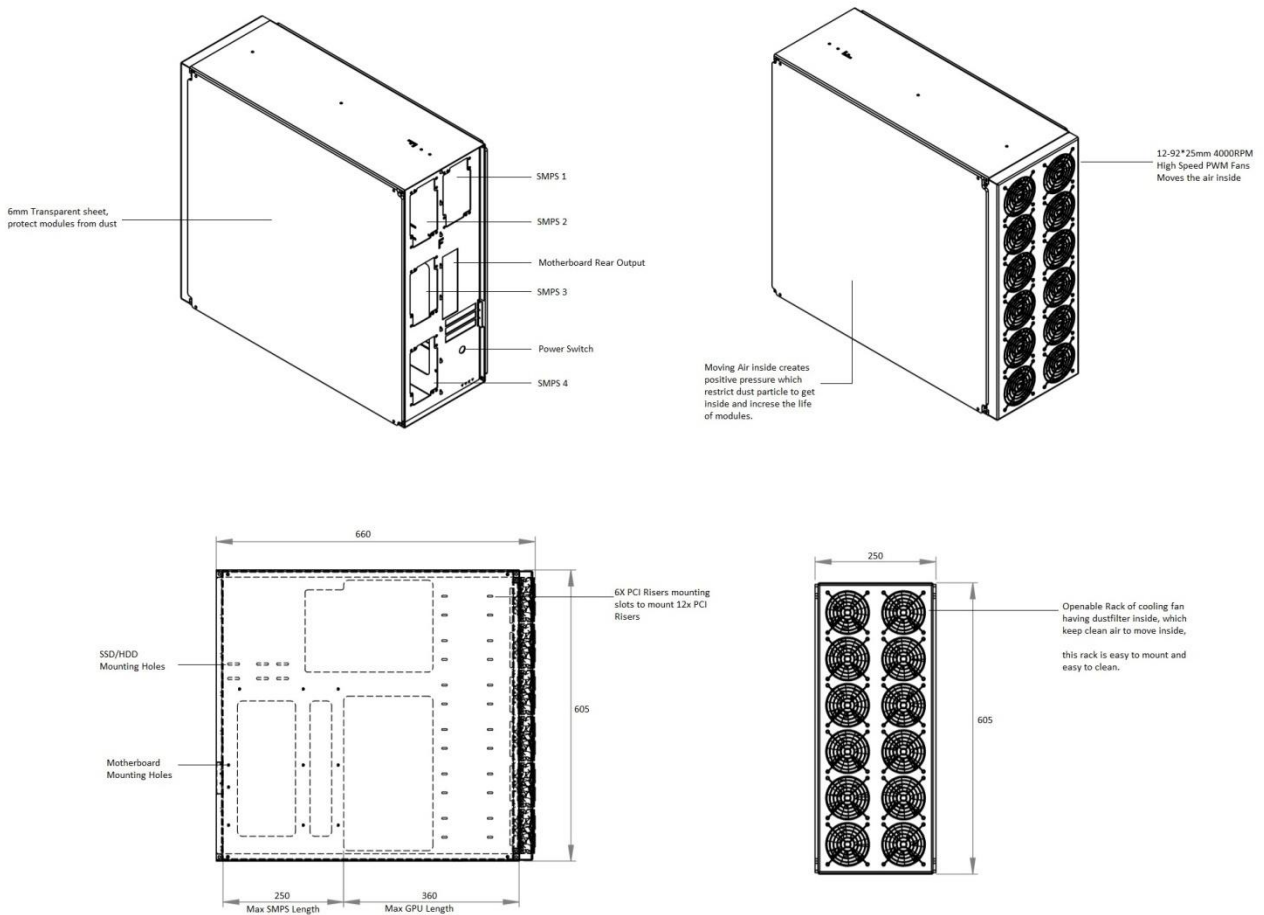


Product Description	Model No.	XM-MRV4 Rev D
	Type	Close type mining Rig frame with cooling
	Stackability	No
	Size LWH	660x250x605
	Weight KG	15
	Color	Black textured powder coated
Cooling Assembly		12Nos 92x25 4000RPM PWM Fan 600CFM 12V 6+6Amp 72+72Watt
GPU Support	Maximum No. of GPU on chassis	12
	Centre distance b/w GPU	92mm
	Maximum GPU Length Support	360mm
Motherboard Support	Motherboard support type	ATX / Mini ITX / Micro ATX / E ATX
	No. of motherboard support	1
	Maximum CPU Cooling Height	100mm
SMPS Support	SMPS Support type	ATX
	No. of SMPS Support	4
	Maximum SMPS Length	250mm
Hard Drive support	No. of Drive support	2
	2.5Inch SSD/HDD Support	Yes
	3.5Inch SSD/HDD Support	Yes
Package Including	Power Button	1
	Rig assembly nuts & bolts M5x10	20
	Allen Key 4mm	1
	Riser Mounting nuts & bolts	24
	GPU Mounting Screw	24
	Motherboard Mounting Screw M3x10	10

## 11.2. Modules Assembly



## 11.3. Product Drawings



# 12 Mining Rig V 5

## 12.1. Specification



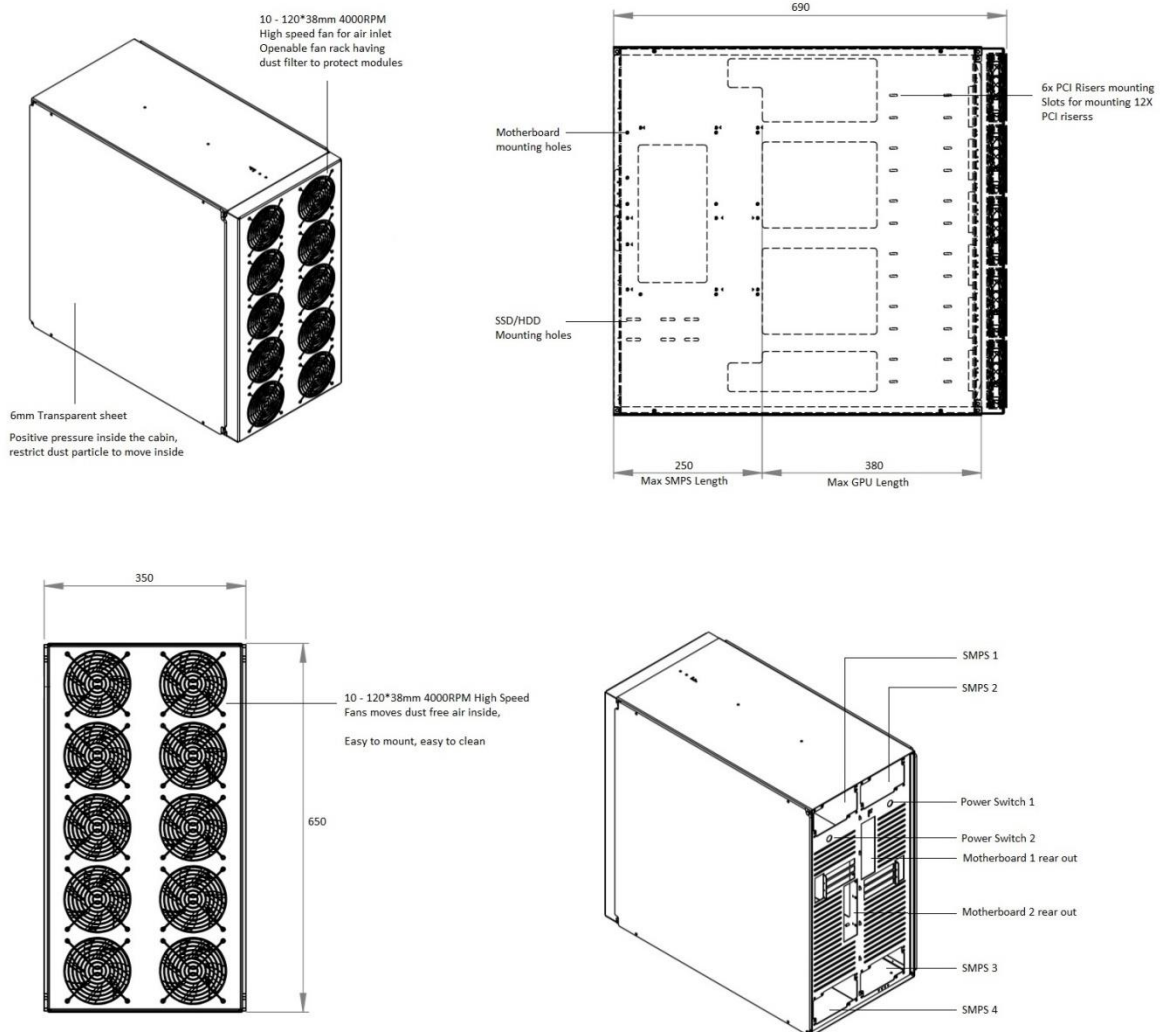
Product Description	Model No.	XM-MRV5 Rev D
	Type	Close type mining Rig frame with cooling
	Stackability	No
	Size LWH	690x350x650
	Weight KG	20
	Color	Black textured powder coated
Cooling Assembly		10Nos 120x38 4000RPM Fan 1000CFM 12V 9+9Amp 100+100Watt
GPU Support	Maximum No. of GPU on chassis	12
	Centre distance b/w GPU	92mm
	Maximum GPU Length Support	380mm
Motherboard Support	Motherboard support type	ATX / Mini ITX / Micro ATX / E ATX
	No. of motherboard support	2
	Maximum CPU Cooling Height	150mm
SMPS Support	SMPS Support type	ATX
	No. of SMPS Support	4
	Maximum SMPS Length	250mm
Hard Drive support	No. of Drive support	2
	2.5Inch SSD/HDD Support	Yes
	3.5Inch SSD/HDD Support	Yes
Package Including	Power Button	1
	Rig assembly nuts & bolts M5x10	20
	Allen Key 4mm	1
	Riser Mounting nuts & bolts	24
	GPU Mounting Screw	24
	Motherboard Mounting Screw M3x10	20



## 12.2. Modules Assembly



## 12.3. Product Drawings



# 13 Mining Rig V 6

## 13.1. Specification

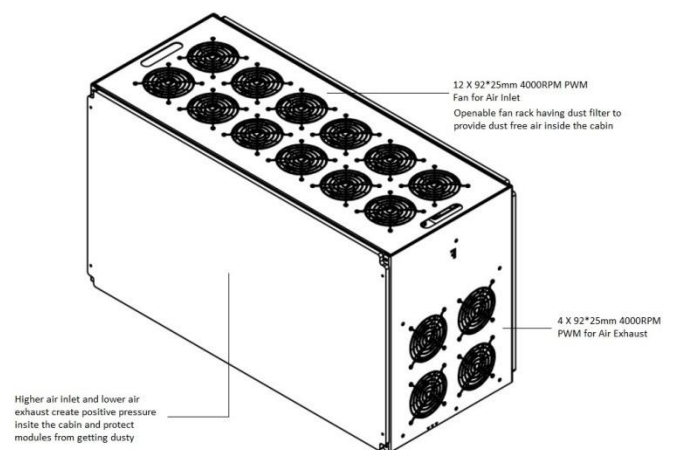
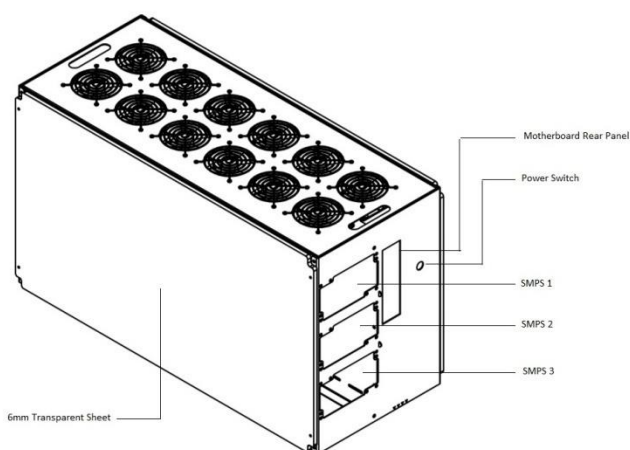
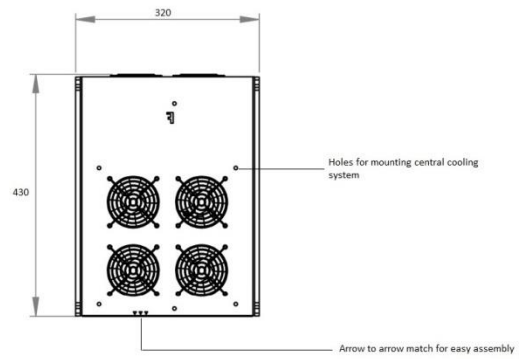
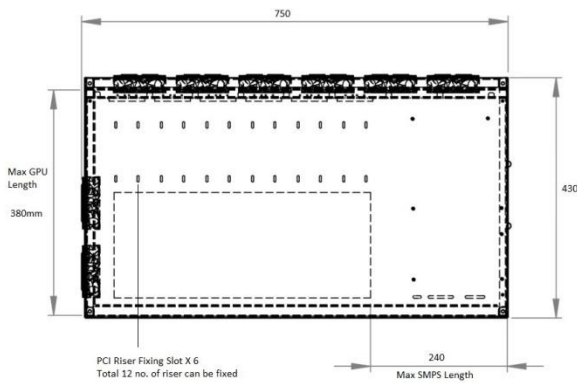


Product Description	Model No.	XM-MRV6 Rev D
	Type	Close type mining Rig frame with cooling
	Stackability	Yes
	Size LWH	750x320x430
	Weight KG	15
	Color	Black textured powder coated
Cooling Assembly		16Nos 92x25 4000RPM PWM Fan 600CFM 12V 6+6+4Amp 72+72+48Watt
GPU Support	Maximum No. of GPU on chassis	12
	Centre distance b/w GPU	80mm
	Maximum GPU Length Support	380mm
Motherboard Support	Motherboard support type	ATX / Mini ITX / Micro ATX / E ATX
	No. of motherboard support	1
	Maximum CPU Cooling Height	150mm
SMPS Support	SMPS Support type	ATX
	No. of SMPS Support	3
	Maximum SMPS Length	240mm
Hard Drive support	No. of Drive support	1
	2.5Inch SSD/HDD Support	Yes
	3.5Inch SSD/HDD Support	Yes
Package Including	Power Button	1
	Rig assembly nuts & bolts M5x10	20
	Allen Key 4mm	1
	Riser Mounting nuts & bolts	24
	GPU Mounting Screw	24
	Motherboard Mounting Screw M3x10	10

## 13.2. Modules Assembly



## 13.3. Product Drawings



# 14 Cooling Modules

## 14.1. Cooling fans for Mining Rig

All the content for cooling Modules will be update soon; we are working on this, Please wait