



CWH
Closed Weld Heads



For more
information
please visit
our website:

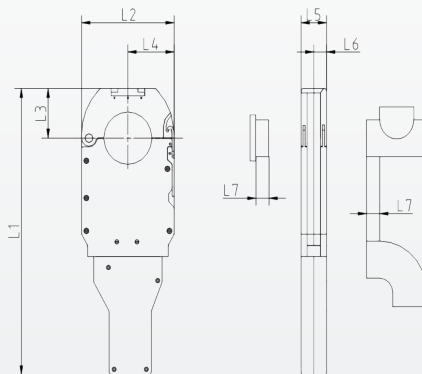


www.orbitalservice-group.com

CWH

Closed Weld Heads

- Compact and handy closed weld heads
- Unique rotor-guiding system (absolutely free of play)
- Robust handle made of high-strength aluminium
- Novel, springing clamp-system (trade mark)
- Slimmest weld heads in their overall size on the market
- Handle and hose package compatible for several weld heads (changing system)
- Applicable water- or gas cooled (CWH-21 and CWH-38 only gas cooled) – separate current- and water cables
- Length of the hose package: 8 m, on demand it can be longer
- Ergonomic clamping levers, which fit in the side frames



DATA //

weld head	range	dimensions						
		L1	L2	L3	L4	L5	L6	L7 min
CWH-115	8 – 114,3 mm (0.31" – 4.52")	470 mm (18.50")	200 mm (7,87")	97 mm (3.82")	100 mm (3.94")	38 mm (1.50")	19 mm (0.75")	19 mm (0.75")
CWH-76	6 – 76,2 mm (0.250" – 3.0")	436 mm (17.17")	160 mm (6.30")	79 mm (3,11")	80 mm (3,15")	38 mm (1,50")	19 mm (0.75")	19 mm (0.75")
CWH-53	6 - 53 mm (0.250" - 2.0")	392 mm (15.43")	138 mm (5.43")	68 mm (2.68")	69 mm (2.72")	38 mm (1.50")	19 mm (0.75")	19 mm (0.75")
CWH-38	3,17 - 38,1 mm (0.125" - 1.50")	365 mm (14.37")	102 mm (4.02")	49 mm (1.93")	51 mm (2.00")	28 mm (1.10")	14 mm (0.55")	14 mm (0.55")
CWH-21	3,17 - 21,3 mm (0.125" - 0.82")	339 mm (13.35")	70 mm (1.76")	36 mm (1.42")	35 mm (1.38")	28 mm (1.10")	14 mm (0.55")	14 mm (0.55")

For more information please visit our website:



ORBITALSERVICE GmbH • Kreuzdelle 13 • D-63872 Heimbuchenthal

✉ info@orbitalservice.de
☎ +49 (0) 6092 82294 0

🌐 www.orbitalservice-group.com
☎ +49 (0) 6092 82294 09