

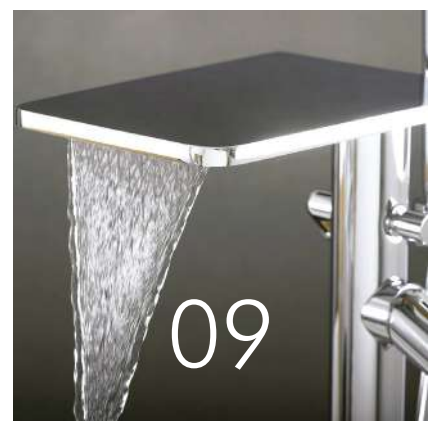
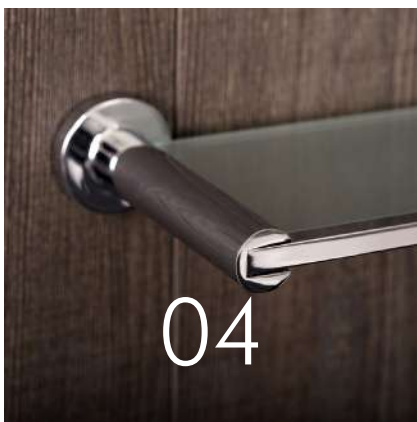


PRODUCT CATALOG
2019

WELCOME

TO YOUR NEW HOME,

WELCOME TO **DAX**



01 KITCHEN FAUCETS PAGE 08-18

04 BATHROOM ACCESSORIES PAGE 45-57

07 BATHROOM MIRRORS PAGE 95-98

02 KITCHEN SINKS PAGE 19-38

05 BATHROOM FAUCETS PAGE 58-77

08 BATHTUBS PAGE 99-102

03 KITCHEN ACCESSORIES PAGE 39-44

06 BATHROOM SINKS PAGE 78-94

09 BATHTUB FILLERS PAGE 103-106

OUR PRODUCTS



10 TOILETS PAGE 107-111

13 SHOWER VALVES PAGE 122-127

16 DRAIN SYSTEMS PAGE 136-139

11 SHOWER PANELS PAGE 112-114

14 SHOWER HEADS PAGE 128-131

17 SHOWER ACCESSORIES PAGE 140-145

12 SHOWER SYSTEMS PAGE 115-121

15 HAND SHOWERS PAGE 132-135

18 OUTDOOR SHOWERS PAGE 146-147



DAX

We believe in open doors and doors to be opened.
We believe in a better life and a better future.

We have created a brand and a company that will fulfill all your home design needs, with excellent quality and permanent inventory for immediate response.

We will help you have a better life by improving the way you live it, bringing innovative and beautiful designs into your home.

We want you to be a part of our family.

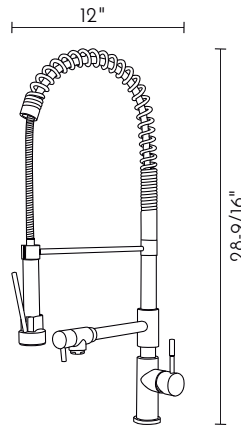
WELCOME TO YOUR NEW HOME,
WELCOME TO **DAX**



01 KITCHEN FAUCETS
SERIES



SINK FAUCETS

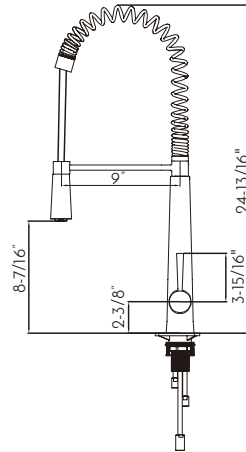


DAX-C001-05

FEATURES

- Pull down shower head
- Brushed stainless steel finish
- 304 stainless steel body casting
- Dual sprayer
- Stainless steel shower head
- Ceramic cartridge
- Flow rate 2.2 GPM
- Height 28-9/16"
- Installation hole 1-3/8"
- Water lines and mounting parts included

SINK FAUCETS

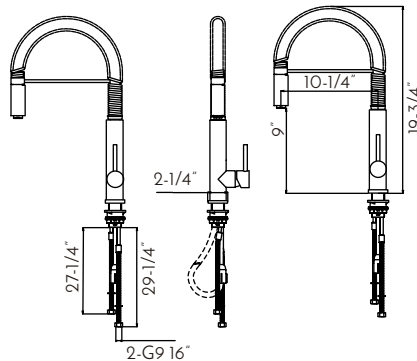


DAX-001-03

FEATURES

- Pull down shower head
- Brushed stainless steel finish
- 304 stainless steel body casting
- Single sprayer
- Stainless steel shower head
- Ceramic cartridge
- Flow rate 2.2 GPM
- Height 24-13/16"
- Installation hole 1-3/8"
- Water lines and mounting parts included

SINK FAUCETS

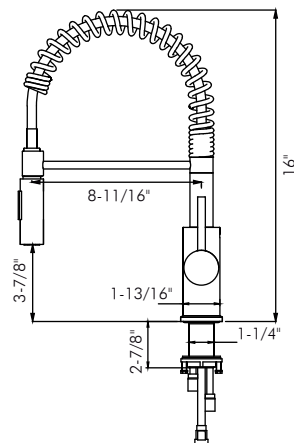


DAX-2141

FEATURES

- Pull down shower head
- Brushed stainless steel finish
- 304 stainless steel body casting
- Single sprayer
- Stainless steel shower head
- Ceramic cartridge
- Flow rate 2.2 GPM
- Height 19-3/4"
- Installation hole 1-3/8"
- Water lines and mounting parts included

SINK FAUCETS

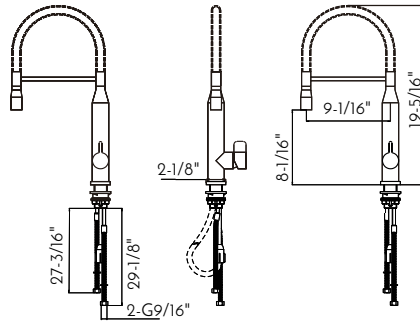


DAX-6965C-BN

FEATURES

- Pull down shower head
- Brushed nickel finish
- Brass body casting
- Dual sprayer
- ABS shower head
- Ceramic cartridge
- Flow rate 1.5-2.2 GPM
- Height 16"
- Installation hole 1-3/8"
- Water lines and mounting parts included

SINK FAUCETS

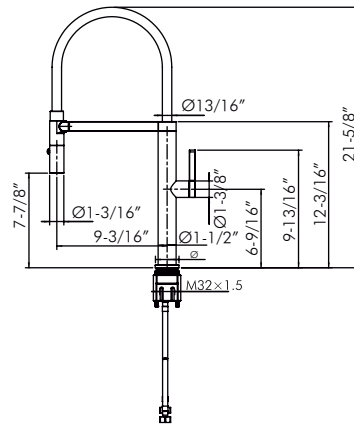


DAX - S1095A

FEATURES

- Pull down shower head
- Brushed stainless steel finish
- 304 stainless steel body casting
- Single sprayer
- Stainless steel shower head
- Ceramic cartridge
- Flow rate 2.2 GPM
- Height 19-5/16"
- Installation hole 1-3/8"
- Water lines and mounting parts included

SINK FAUCETS

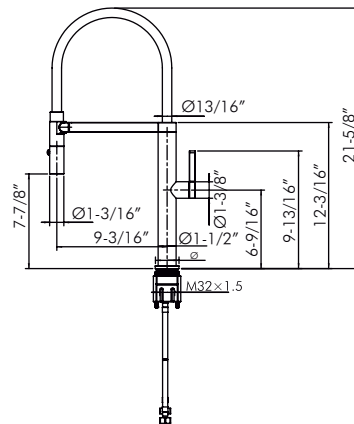


DAX - S2417-01

FEATURES

- Pull out shower head
- Gun metal finish
- Brass body casting
- Dual sprayer
- Stainless steel - ABS - Magnetic shower head
- Ceramic cartridge
- Flow rate 1.8 GPM
- Height 21-5/8"
- Installation hole 1-3/8"
- Water lines and mounting parts included

SINK FAUCETS

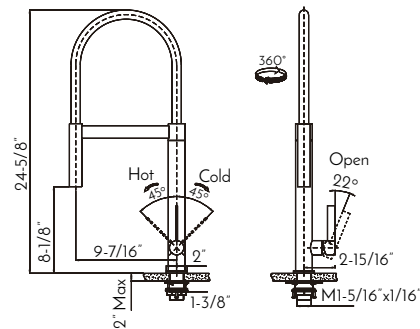


DAX - S2417-02

FEATURES

- Pull out shower head
- Black finish
- Brass body casting
- Dual sprayer
- Stainless steel - ABS - Magnetic shower head
- Ceramic cartridge
- Flow rate 1.8 GPM
- Height 21-5/8"
- Installation hole 1-3/8"
- Water lines and mounting parts included

SINK FAUCETS

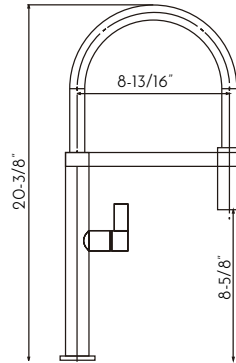


DAX - S1450

FEATURES

- Pull out shower head
- Brushed stainless steel finish
- 304 stainless steel body casting
- Dual sprayer
- Stainless steel shower head
- Ceramic cartridge
- Flow rate 2.2 GPM
- Height 24-5/8"
- Installation hole 1-3/8"
- Water lines and mounting parts included

SINK FAUCETS

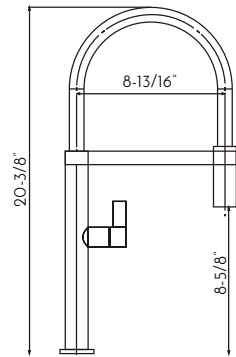


DAX-C107B

FEATURES

- Pull out shower head
- Brushed stainless steel finish
- 304 stainless steel body casting
- Single Sprayer
- Stainless steel shower head
- Black rubber neck
- Ceramic cartridge
- Flow rate 1.75 GPM
- Height 20-3/8"
- Installation hole 1-3/8"
- Water lines and mounting parts included

SINK FAUCETS

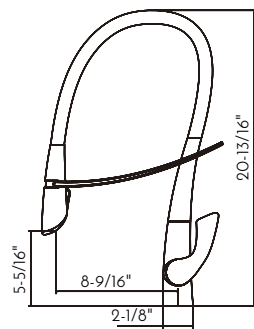


DAX-C107W

FEATURES

- Pull out shower head
- Brushed stainless steel finish
- 304 stainless steel body casting
- Single Sprayer
- Stainless steel shower head
- White rubber neck
- Ceramic cartridge
- Flow rate 1.75 GPM
- Height 20-3/8"
- Installation hole 1-3/8"
- Water lines and mounting parts included

SINK FAUCETS

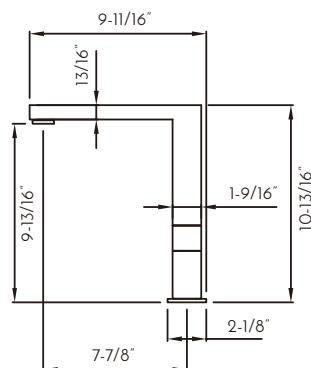


DAX-S1455

FEATURES

- Pull out shower head
- Brushed stainless steel finish
- 304 stainless steel body casting
- Dual sprayer
- Stainless steel shower head
- Black stainless steel neck
- Ceramic cartridge
- Flow rate 2.2 GPM
- Height 20-13/16"
- Installation hole 1-3/8"
- Water lines and mounting parts included

SINK FAUCETS

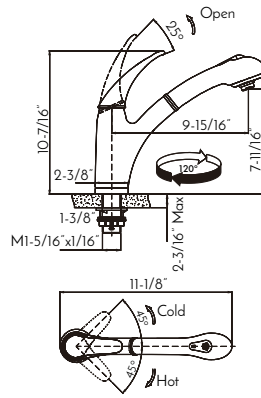


DAX-O17-O1

FEATURES

- Fixed shower head
- Brushed stainless steel finish
- 304 stainless steel body casting
- Single sprayer
- Ceramic cartridge
- Flow rate 2.2 GPM
- Height 10-13/16"
- Installation hole 1-3/8"
- Water lines and mounting parts included

SINK FAUCETS

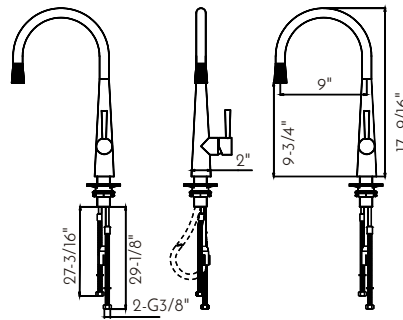


DAX-S1516

FEATURES

- Pull out shower head
- Brushed stainless steel finish
- 304 stainless steel body casting
- Dual sprayer
- Stainless steel shower head
- Ceramic cartridge
- Flow rate 2.2 GPM
- Height 10-7/16"
- Installation hole 1-3/8"
- Water lines and mounting parts included

SINK FAUCETS

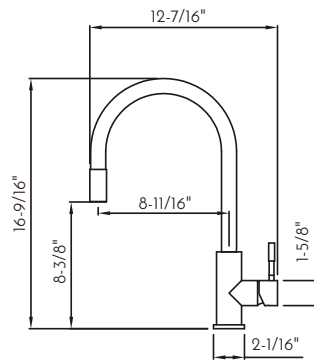


DAX-S1087P

FEATURES

- Pull down shower head
- Brushed stainless steel finish
- 304 stainless steel body casting
- Single sprayer
- Stainless steel shower head
- Ceramic cartridge
- Flow rate 2.2 GPM
- Height 17-9/16"
- Installation hole 1-3/8"
- Water lines and mounting parts included

SINK FAUCETS



DAX-003-02

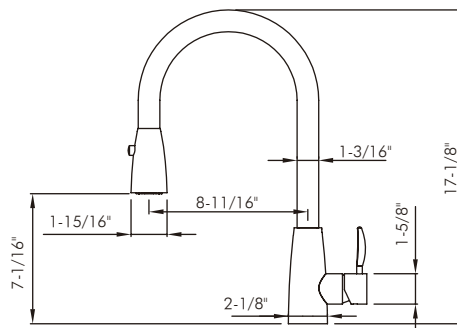
FEATURES

- Pull down shower head
- 304 stainless steel body casting
- Single sprayer
- Stainless steel shower head
- Ceramic cartridge
- Flow rate 2.2 GPM
- Height 16-9/16"
- Installation hole 1-3/8"
- Water lines and mounting parts included

FINISH

- DAX-003-02-BN Brushed stainless steel
- DAX-003-02-CR Chrome

SINK FAUCETS

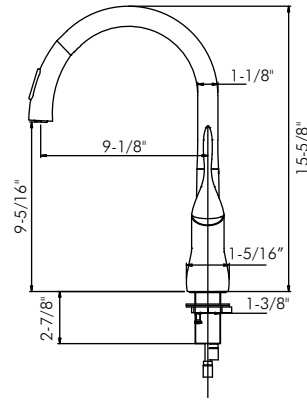


DAX-002-02B

FEATURES

- Pull down shower head
- Brushed stainless steel finish
- 304 stainless steel body casting
- Dual sprayer
- Stainless steel shower head
- Ceramic cartridge
- Flow rate 2.2 GPM
- Height 17-1/8"
- Installation hole 1-3/8"
- Water lines and mounting parts included

SINK FAUCETS

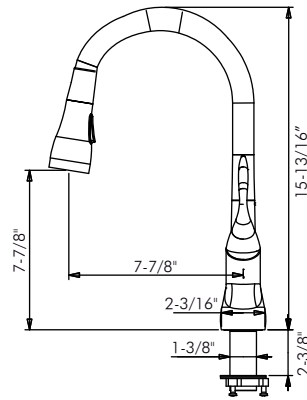


DAX-6985E-BN

FEATURES

- Pull down shower head
- Brushed nickel finish
- Brass body casting
- Dual sprayer
- ABS shower head
- Ceramic cartridge
- Flow rate 1.5-2.2 GPM
- Height 15-5/8"
- Installation hole 1-3/8"
- Water lines and mounting parts included

SINK FAUCETS

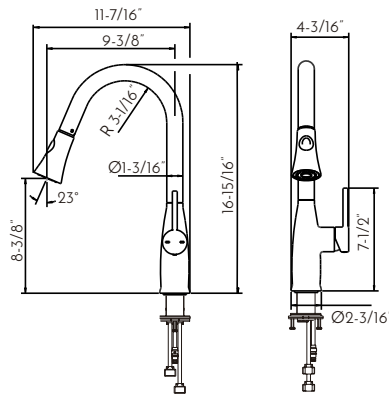


DAX-6995C-BN

FEATURES

- Pull down shower head
- Brushed nickel finish
- Brass body casting
- Dual sprayer
- ABS shower head
- Ceramic cartridge
- Flow rate 1.5-2.2 GPM
- Height 15-13/16"
- Installation hole 1-3/8"
- Water lines and mounting parts included

SINK FAUCETS

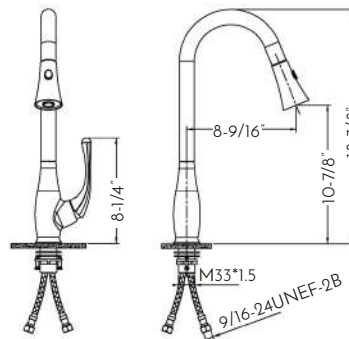


DAX-8887

FEATURES

- Pull down shower head
- Brushed nickel finish
- Brass body casting
- Dual sprayer
- ABS shower head
- Ceramic cartridge
- Flow rate 1.8 GPM
- Height 16-15/16"
- Installation hole 1-3/8"
- Water lines and mounting parts included

SINK FAUCETS

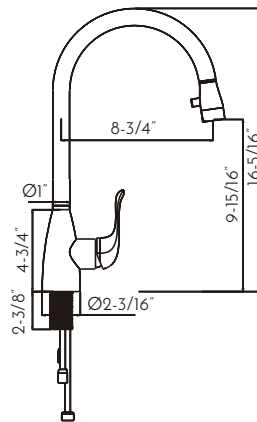


DAX-70054

FEATURES

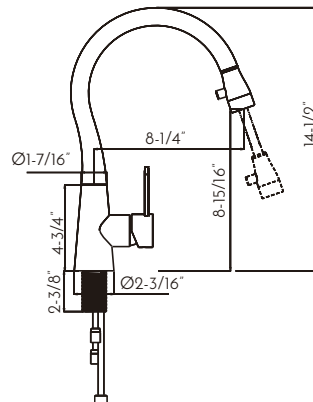
- Pull down shower head
- Brushed nickel finish
- Brass body casting
- Dual sprayer
- ABS shower head
- Ceramic cartridge
- Flow rate 2.2 GPM
- Height 18-3/8"
- Installation hole 1-3/8"
- Water lines and mounting parts included

SINK FAUCETS

**DAX-C17S****FEATURES**

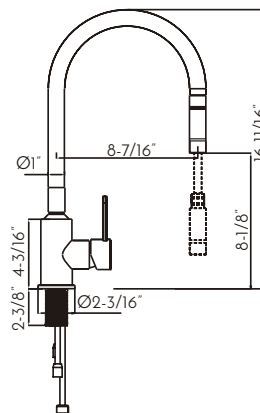
- Pull down shower head
- Brushed stainless steel finish
- 304 stainless steel body casting
- Single sprayer
- ABS shower head
- Ceramic cartridge
- Flow rate 2.2 GPM
- Height 16-5/16"
- Installation hole 1-3/8"
- Water lines and mounting parts included

SINK FAUCETS

**DAX-C21S****FEATURES**

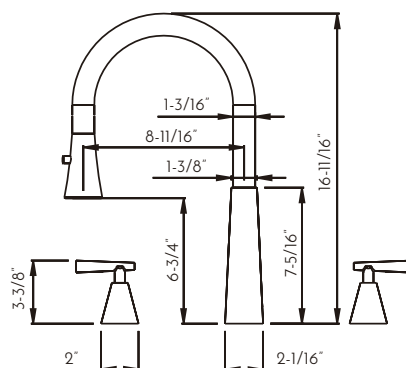
- Pull down shower head
- Brushed stainless steel finish
- 304 stainless steel body casting
- Single sprayer
- ABS shower head
- Ceramic cartridge
- Flow rate 2.2 GPM
- Height 14-1/2"
- Installation hole 1-3/8"
- Water lines and mounting parts included

SINK FAUCETS

**DAX-C20S****FEATURES**

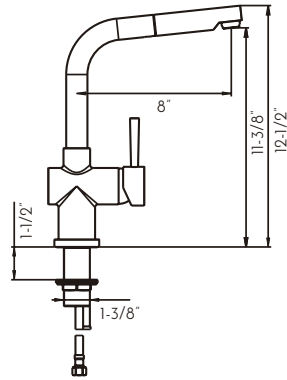
- Pull down shower head
- Brushed stainless steel finish
- 304 stainless steel body casting
- Single sprayer
- Stainless steel - ABS shower head
- Ceramic cartridge
- Flow rate 2.2 GPM
- Height 16-11/16"
- Installation hole 1-3/8"
- Water lines and mounting parts included

SINK FAUCETS

**DAX-C01302****FEATURES**

- Pull down shower head
- Brushed stainless steel finish
- 304 stainless steel body casting
- Dual sprayer
- ABS shower head
- Ceramic cartridge
- Flow rate 2.2 GPM
- Height 16-11/16"
- Installation hole 1-3/8"
- Water lines and mounting parts included

SINK FAUCETS

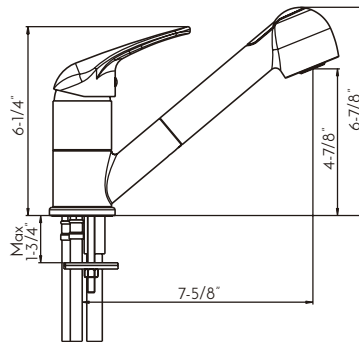


DAX-413

FEATURES

- Pull out shower head
- Brushed stainless steel finish
- Brass body casting
- Single sprayer
- Brass shower head
- Ceramic cartridge
- Flow rate 1.8 GPM
- Height 12-1/2"
- Installation hole 1-3/8"
- Water lines and mounting parts included

SINK FAUCETS



DAX-478

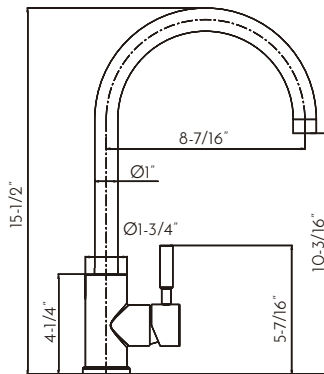
FEATURES

- Pull out shower head
- Brass body casting
- Dual sprayer
- ABS shower head
- Ceramic cartridge
- Flow rate 1.8 GPM
- Height 6-7/8"
- Installation hole 1-3/8"
- Water lines and mounting parts included

FINISH

- DAX-478-BN Brushed nickel
- DAX-478-CR Chrome

SINK FAUCETS

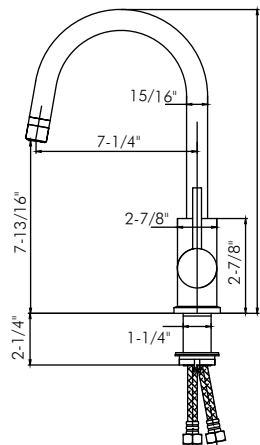


DAX-C33S

FEATURES

- Fixed shower head
- Brushed stainless steel finish
- 304 stainless steel body casting
- Single sprayer
- Ceramic cartridge
- Flow rate 2.2 GPM
- Height 15-1/2"
- Installation hole 1-3/8"
- Water lines and mounting parts included

SINK FAUCETS

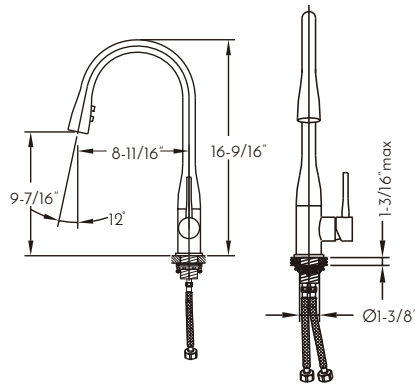


DAX-6515-BN

FEATURES

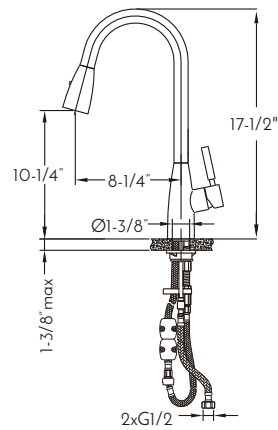
- Fixed shower head
- Brushed nickel finish
- Brass body casting
- Single sprayer
- Ceramic cartridge
- Flow rate 1.5-2.2 GPM
- Height 13-11/16"
- Installation hole 1-3/8"
- Water lines and mounting parts included

SINK FAUCETS

**DAX-8763****FEATURES**

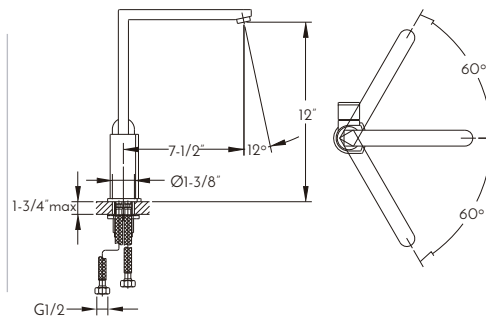
- Fixed shower head
- Chrome finish
- Brass body casting
- Dual sprayer
- Ceramic cartridge
- Flow rate 1.8 GPM
- Height 16-9/16"
- Installation hole 1-3/8"
- Water lines and mounting parts included

SINK FAUCETS

**DAX-8782****FEATURES**

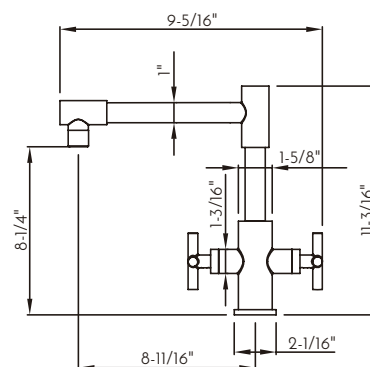
- Pull down shower head
- Chrome finish
- Brass body casting
- Dual sprayer
- ABS shower head
- Ceramic cartridge
- Flow rate 1.8 GPM
- Height 17-1/2"
- Installation hole 1-3/8"
- Water lines and mounting parts included

SINK FAUCETS

**DAX-8789****FEATURES**

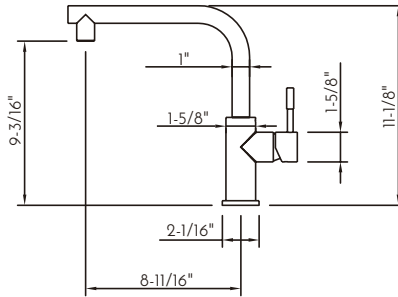
- Fixed shower head
- Chrome finish
- Brass body casting
- Single sprayer
- Ceramic cartridge
- Flow rate 1.8 GPM
- Height 12"
- Installation hole 1-3/8"
- Water lines and mounting parts included

SINK FAUCETS

**DAX-009-03****FEATURES**

- Fixed shower head
- Brushed stainless steel finish
- 304 stainless steel body casting
- Single sprayer
- Ceramic cartridge
- Flow rate 2.2 GPM
- Height 11-3/16"
- Installation hole 1-3/8"
- Water lines and mounting parts included

SINK FAUCETS

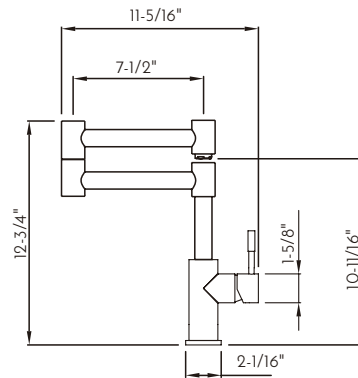


DAX-008-04

FEATURES

- Fixed shower head
- Brushed stainless steel finish
- 304 stainless steel body casting
- Single sprayer
- Ceramic cartridge
- Flow rate 2.2 GPM
- Height 11-1/8"
- Installation hole 1-3/8"
- Water lines and mounting parts included

SINK FAUCETS

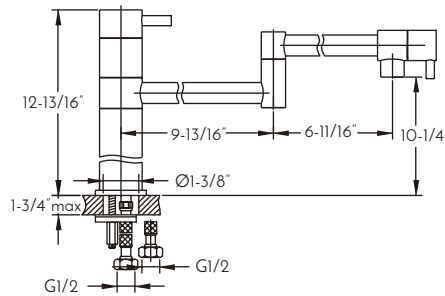


DAX-006-01

FEATURES

- Fixed shower head
- Brushed stainless steel finish
- 304 stainless steel body casting
- Single sprayer
- Ceramic cartridge
- Flow rate 2.2 GPM
- Height 12-3/4"
- Installation hole 1-3/8"
- Water lines and mounting parts included

SINK FAUCETS

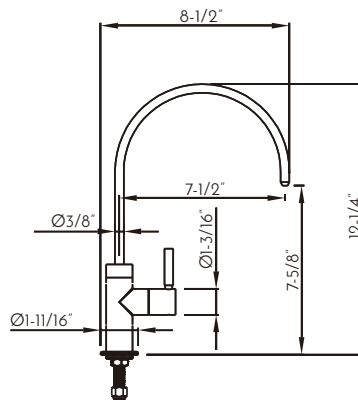


DAX-8729

FEATURES

- Fixed shower head
- Chrome finish
- Brass body casting
- Single sprayer
- Ceramic cartridge
- Flow rate 1.8 GPM
- Height 12-13/16"
- Installation hole 1-3/8"
- Water lines and mounting parts included

DRINKING WATER FILTER FAUCETS



DAX-PJ-01

FEATURES

- Fixed shower head
- Brushed stainless steel finish
- 304 stainless steel body casting
- Single sprayer
- Ceramic cartridge
- Height 12-1/4"
- Installation hole 9/16"



* WARRANTY DETAILS AND SPECIFICATIONS ARE AVAILABLE IN THE DOWNLOADS SECTIONS AT DAXIB.COM

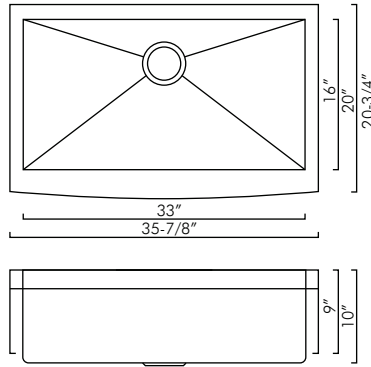




KITCHEN SINKS
SERIES 02



FARM HOUSE SINKS



DAX-SQ-3621

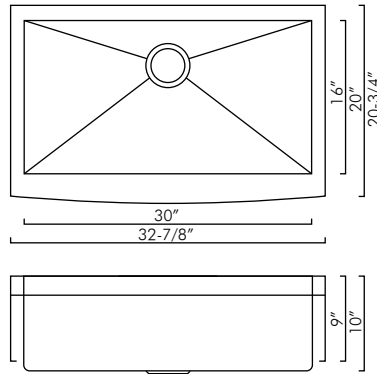
FEATURES

- Farm house sink
- Handmade sink
- 0mm radius corner
- Undermount or overmount
- 304 Stainless Steel
- 16 gauge
- Brushed Stainless Steel
- Size W 35-7/8" x H 20-3/4" x D 10"
- Standard 3-1/2" drain opening
- Undercoated and sound pads
- Mounting clips and cutting template

ACCESSORIES

- Bottom grid included
- Stainless steel basket strainer (1 pc included)
- Stainless steel standard strainer not included (available)
- Round stainless steel colander included
- Square stainless steel colander not included (available)

FARM HOUSE SINKS



DAX-SQ-3321

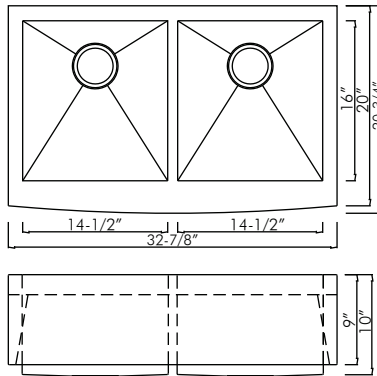
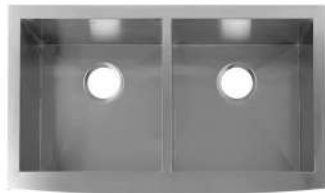
FEATURES

- Farm house sink
- Handmade sink
- 0mm radius corner
- Undermount or overmount
- 304 Stainless Steel
- 16 gauge
- Brushed Stainless Steel
- Size W 32-7/8" x H 20-3/4" x D 10"
- Standard 3-1/2" drain opening
- Undercoated and sound pads
- Mounting clips and cutting template

ACCESSORIES

- Bottom grid included
- Stainless steel basket strainer (1 pc included)
- Stainless steel standard strainer not included (available)
- Round stainless steel colander included
- Square stainless steel colander not included (available)
- Grey silicone dish rack not included (available)

FARM HOUSE SINKS



DAX-SQ-3320F

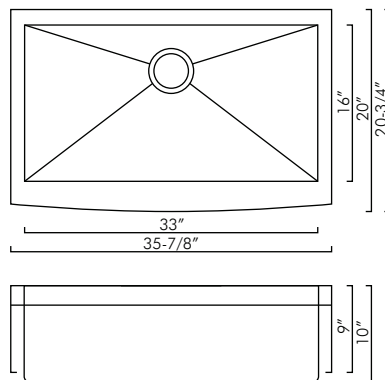
FEATURES

- Farm house sink
- Handmade sink
- 0mm radius corner
- Undermount or overmount
- 304 Stainless Steel
- 16 gauge
- Brushed Stainless Steel
- Size W 32-7/8" x H 20-3/4" x D 10"
- Standard 3-1/2" drain opening
- Undercoated and sound pads
- Mounting clips and cutting template

ACCESSORIES

- Bottom grid included
- Stainless steel basket strainer (1 pc included)
- Stainless steel standard strainer not included (available)
- Round stainless steel colander included
- Square stainless steel colander not included (available)
- Grey silicone dish rack not included (available)

PRO FARM HOUSE SINKS



KA-SQ-3621

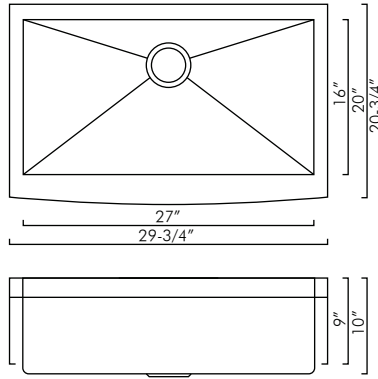
FEATURES

- Farm house sink
- Handmade sink
- 0mm radius corner
- Undermount or overmount
- 304 Stainless Steel
- Apron: 16 gauge
- Bowl: 18 gauge
- Brushed Stainless Steel
- Size W 35-7/8" x H 20-3/4" x D 10"
- Standard 3-1/2" drain opening
- Undercoated and sound pads
- Mounting clips and cutting template

ACCESSORIES

- Bottom grid not included (available)
- Stainless steel basket strainer not included (available)
- Stainless steel standard strainer not included (available)
- Square stainless steel colander not included (available)
- Grey silicone dish rack not included (available)

PRO FARM HOUSE SINKS



KA-SQ-3021

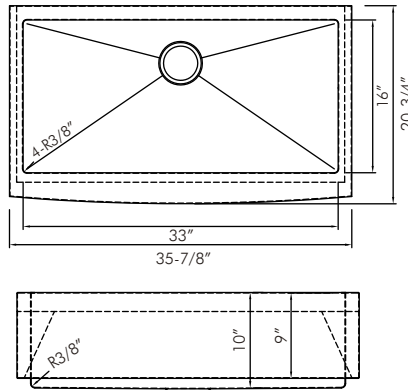
FEATURES

- Farm house sink
- Handmade sink
- 0mm radius corner
- Undermount or overmount
- 304 Stainless Steel
- Apron: 16 gauge
- Bowl: 18 gauge
- Brushed Stainless Steel
- Size W 29-3/4" x H 20-3/4" x D 10"
- Standard 3-1/2" drain opening
- Undercoated and sound pads
- Mounting clips and cutting template

ACCESSORIES

- Bottom grid not included (available)
- Stainless steel basket strainer not included (available)
- Stainless steel standard strainer not included (available)
- Square stainless steel colander not included (available)
- Grey silicone dish rack not included (available)

FARM HOUSE SINKS



DAX-3621R10

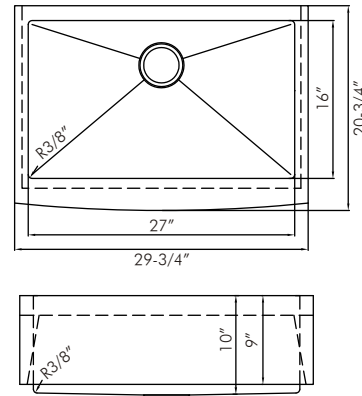
FEATURES

- Farm house sink
- Handmade sink
- 10 mm radius corner
- Undermount or overmount
- 304 Stainless Steel
- Apron: 16 gauge
- Bowl: 18 gauge
- Brushed Stainless Steel
- Size W 35-7/8" x H 20-3/4" x D 10"
- Standard 3-1/2" drain opening
- Undercoated and sound pads
- Mounting clips and cutting template

ACCESSORIES

- Bottom grid included
- Stainless steel basket strainer included
- Stainless steel standard strainer included
- Square stainless steel colander included
- Grey silicone dish rack included

FARM HOUSE SINKS



DAX-3021R10

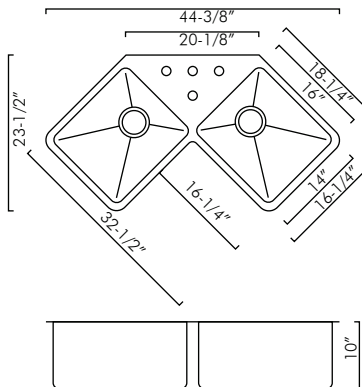
FEATURES

- Farm house sink
- Handmade sink
- 10 mm radius corner
- Undermount or overmount
- 304 Stainless Steel
- Apron: 16 gauge
- Bowl: 18 gauge
- Brushed Stainless Steel
- Size W 29-3/4" x H 20-3/4" x D 10"
- Standard 3-1/2" drain opening
- Undercoated and sound pads
- Mounting clips and cutting template

ACCESSORIES

- Bottom grid included
- Stainless steel basket strainer included
- Stainless steel standard strainer included
- Square stainless steel colander included
- Grey silicone dish rack included

CORNER SINKS



DAX-334

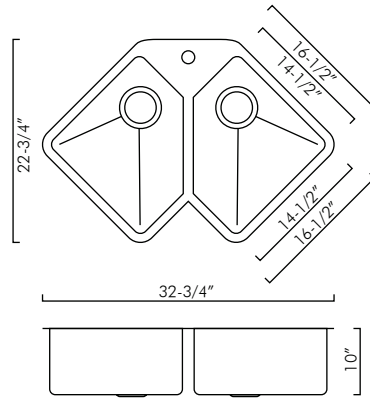
FEATURES

- Handmade sink
- 15mm radius corner
- Undermount
- 304 Stainless Steel
- 16 gauge
- Brushed Stainless Steel
- Size W 44-3/8" x H 23-1/2" x D 10"
- Standard 3-1/2" drain opening
- Undercoated and sound pads
- Mounting clips and cutting template

ACCESSORIES

- Bottom grid included
- Stainless steel basket strainer (1 pc included)
- Stainless steel standard strainer not included (available)
- Round stainless steel colander included
- Grey silicone dish rack not included (available)

CORNER SINKS



DAX-347

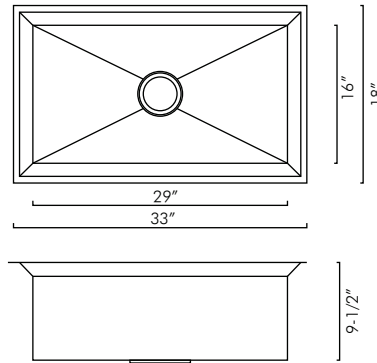
FEATURES

- Handmade sink
- 15mm radius corner
- Undermount
- 304 Stainless Steel
- 16 gauge
- Brushed Stainless Steel
- Size W 32-3/4" x H 22-3/4" x D 10"
- Standard 3-1/2" drain opening
- Undercoated and sound pads
- Mounting clips and cutting template

ACCESSORIES

- Bottom grid included
- Stainless steel basket strainer (1 pc included)
- Stainless steel standard strainer not included (available)
- Round stainless steel colander included
- Grey silicone dish rack not included (available)

UNDERMOUNT SINKS



DAX-SQ-3318

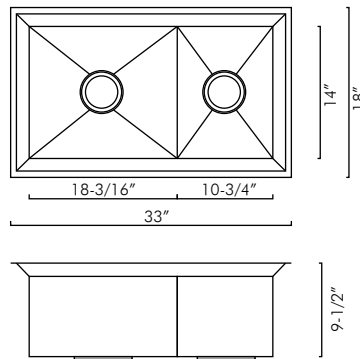
FEATURES

- Handmade sink
- 0mm radius corner
- Undermount
- 304 Stainless Steel
- 16 gauge
- Brushed Stainless Steel - Chrome 45° lip
- Size W 33" x H 18" x D 9-1/2"
- Standard 3-1/2" drain opening
- Undercoated and sound pads
- Mounting clips and cutting template

ACCESSORIES

- Grey silicone dish rack not included (available)

UNDERMOUNT SINKS



DAX-SQ-3318A

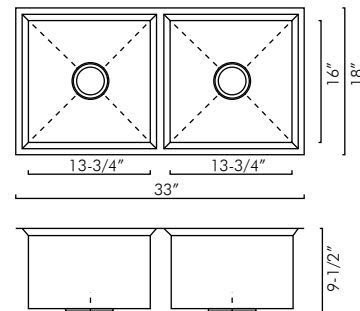
FEATURES

- Handmade sink
- 0mm radius corner
- Undermount
- 304 Stainless Steel
- 16 gauge
- Brushed Stainless Steel - Chrome 45° lip
- Size W 33" x H 18" x D 9-1/2"
- Standard 3-1/2" drain opening
- Undercoated and sound pads
- Mounting clips and cutting template

ACCESSORIES

- Grey silicone dish rack not included (available)

UNDERMOUNT SINKS



DAX-SQ-3318C

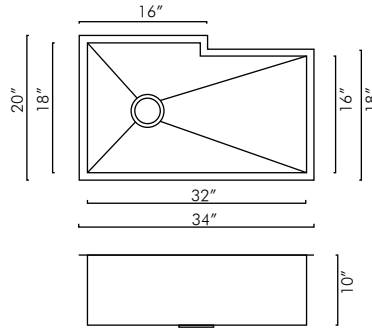
FEATURES

- Handmade sink
- 0mm radius corner
- Undermount
- 304 Stainless Steel
- 16 gauge
- Brushed Stainless Steel - Chrome 45° lip
- Size W 33" x H 18" x D 9-1/2"
- Standard 3-1/2" drain opening
- Undercoated and sound pads
- Mounting clips and cutting template

ACCESSORIES

- Grey silicone dish rack not included (available)

UNDERMOUNT SINKS



DAX-SQ-3420F

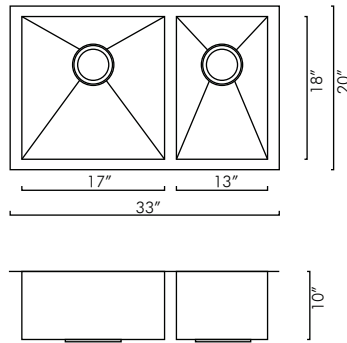
FEATURES

- Handmade sink
- 0mm radius corner
- Undermount
- 304 Stainless Steel
- 16 gauge
- Brushed Stainless Steel
- Size W 34" x H 20" x D 10"
- Standard 3-1/2" drain opening
- Undercoated and sound pads
- Mounting clips and cutting template

ACCESSORIES

- Bottom grid included
- Stainless steel basket strainer (1 pc included)
- Stainless steel standard strainer not included (available)
- Round stainless steel colander included
- Square stainless steel colander not included (available)
- Grey silicone dish rack not included (available)

UNDERMOUNT SINKS



DAX-SQ-3320

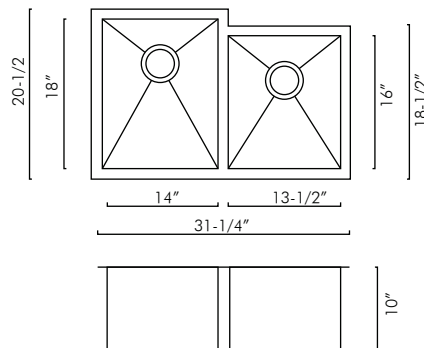
FEATURES

- Handmade sink
- 0mm radius corner
- Undermount
- 304 Stainless Steel
- 16 gauge
- Brushed Stainless Steel
- Size W 33" x H 20" x D 10"
- Standard 3-1/2" drain opening
- Undercoated and sound pads
- Mounting clips and cutting template

ACCESSORIES

- Bottom grid included
- Stainless steel basket strainer (1 pc included)
- Stainless steel standard strainer not included (available)
- Round stainless steel colander included
- Square stainless steel colander not included (available)
- Grey silicone dish rack not included (available)

UNDERMOUNT SINKS



DAX-SQ-3120

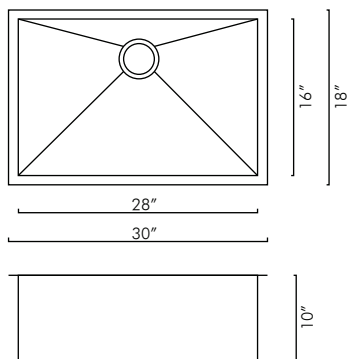
FEATURES

- Handmade sink
- 0mm radius corner
- Undermount
- 304 Stainless Steel
- 16 gauge
- Brushed Stainless Steel
- Size W 31-1/4" x H 20-1/2" x D 10"
- Standard 3-1/2" drain opening
- Undercoated and sound pads
- Mounting clips and cutting template

ACCESSORIES

- Bottom grid included
- Stainless steel basket strainer (1 pc included)
- Stainless steel standard strainer not included (available)
- Round stainless steel colander included
- Square stainless steel colander not included (available)
- Grey silicone dish rack not included (available)

UNDERMOUNT SINKS



DAX-SQ-3018

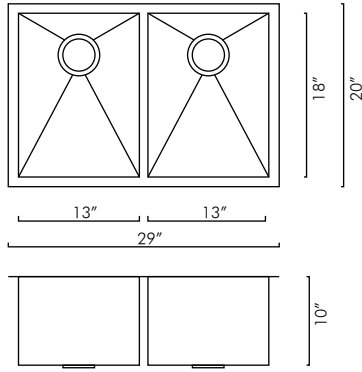
FEATURES

- Handmade sink
- 0mm radius corner
- Undermount
- 304 Stainless Steel
- 16 gauge
- Brushed Stainless Steel
- Size W 30" x H 18" x D 10"
- Standard 3-1/2" drain opening
- Undercoated and sound pads
- Mounting clips and cutting template

ACCESSORIES

- Bottom grid included
- Stainless steel basket strainer (1 pc included)
- Stainless steel standard strainer not included (available)
- Round stainless steel colander included
- Square stainless steel colander not included (available)
- Grey silicone dish rack not included (available)

UNDERMOUNT SINKS



DAX-SQ-2920A

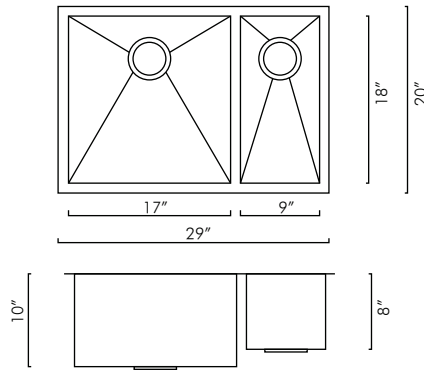
FEATURES

- Handmade sink
- 0mm radius corner
- Undermount
- 304 Stainless Steel
- 16 gauge
- Brushed Stainless Steel
- Size W 29" x H 20" x D 10"
- Standard 3-1/2" drain opening
- Undercoated and sound pads
- Mounting clips and cutting template

ACCESSORIES

- Bottom grid included
- Stainless steel basket strainer (1 pc included)
- Stainless steel standard strainer not included (available)
- Round stainless steel colander included
- Square stainless steel colander not included (available)
- Grey silicone dish rack not included (available)

UNDERMOUNT SINKS



DAX-SQ-2920

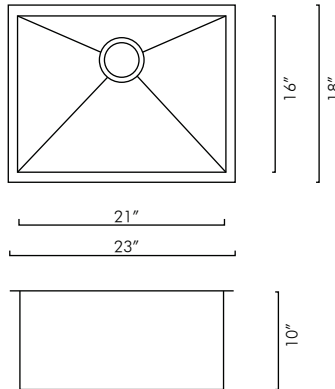
FEATURES

- Handmade sink
- 0mm radius corner
- Undermount
- 304 Stainless Steel
- 16 gauge
- Brushed Stainless Steel
- Size W 29" x H 20" x D 10"
- Standard 3-1/2" drain opening
- Undercoated and sound pads
- Mounting clips and cutting template

ACCESSORIES

- Bottom grid included
- Stainless steel basket strainer (1 pc included)
- Stainless steel standard strainer not included (available)
- Round stainless steel colander included
- Square stainless steel colander not included (available)
- Grey silicone dish rack not included (available)

UNDERMOUNT SINKS



DAX-SQ-2318

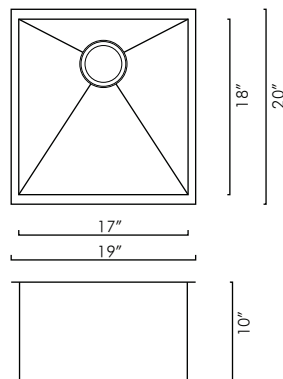
FEATURES

- Handmade sink
- 0mm radius corner
- Undermount
- 304 Stainless Steel
- 16 gauge
- Brushed Stainless Steel
- Size W 23" x H 18" x D 10"
- Standard 3-1/2" drain opening
- Undercoated and sound pads
- Mounting clips and cutting template

ACCESSORIES

- Bottom grid included
- Stainless steel basket strainer (1 pc included)
- Stainless steel standard strainer not included (available)
- Round stainless steel colander included
- Square stainless steel colander not included (available)
- Grey silicone dish rack not included (available)

UNDERMOUNT SINKS



DAX-SQ-1920

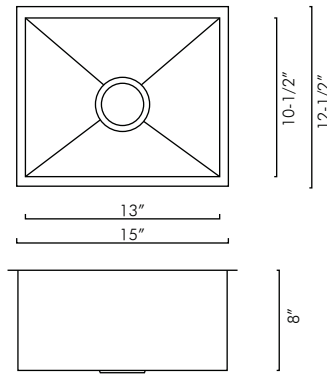
FEATURES

- Handmade sink
- 0mm radius corner
- Undermount
- 304 Stainless Steel
- 16 gauge
- Brushed Stainless Steel
- Size W 19" x H 20" x D 10"
- Standard 3-1/2" drain opening
- Undercoated and sound pads
- Mounting clips and cutting template

ACCESSORIES

- Bottom grid included
- Stainless steel basket strainer (1 pc included)
- Stainless steel standard strainer not included (available)
- Round stainless steel colander included
- Square stainless steel colander not included (available)
- Grey silicone dish rack not included (available)

UNDERMOUNT SINKS



DAX-SQ-1512

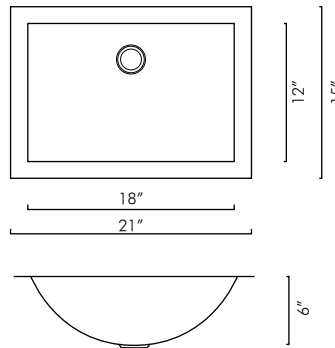
FEATURES

- Handmade sink
- 0mm radius corner
- Undermount
- 304 Stainless Steel
- 16 gauge
- Brushed Stainless Steel
- Size W 15" x H 12-1/2" x D 8"
- Standard 3-1/2" drain opening
- Undercoated and sound pads
- Mounting clips and cutting template

ACCESSORIES

- Bottom grid included
- Stainless steel basket strainer (1 pc included)
- Stainless steel standard strainer not included (available)
- Round stainless steel colander included
- Grey silicone dish rack not included (available)

UNDERMOUNT SINKS



DAX-SQ-114

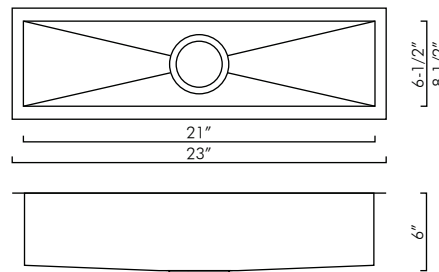
FEATURES

- Handmade sink
- 0mm radius corner
- Undermount
- 304 Stainless Steel
- 18 gauge
- Brushed Stainless Steel
- Size W 21" x H 15" x D 6"
- 2" drain opening
- Undercoated and sound pads
- Mounting clips and cutting template

ACCESSORIES

- Grey silicone dish rack not included (available)

UNDERMOUNT SINKS



DAX-SQ-2385

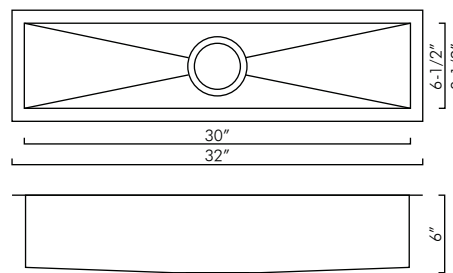
FEATURES

- Handmade sink
- 0mm radius corner
- Undermount
- 304 Stainless Steel
- 16 gauge
- Brushed Stainless Steel
- Size W 23" x H 8-1/2" x D 6"
- Standard 3-1/2" drain opening
- Undercoated and sound pads
- Mounting clips and cutting template

ACCESSORIES

- Stainless steel basket strainer not included (available)
- Stainless steel standard strainer not included (available)
- Grey silicone dish rack not included (available)

UNDERMOUNT SINKS



DAX-SQ-3285

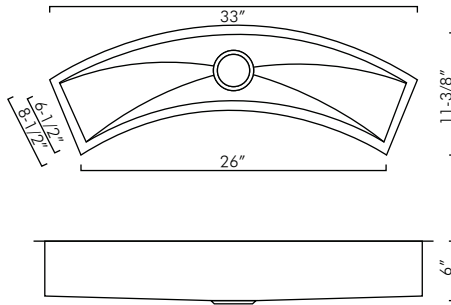
FEATURES

- Handmade sink
- 0mm radius corner
- Undermount
- 304 Stainless Steel
- 16 gauge
- Brushed Stainless Steel
- Size W 32" x H 8-1/2" x D 6"
- Standard 3-1/2" drain opening
- Undercoated and sound pads
- Mounting clips and cutting template

ACCESSORIES

- Stainless steel basket strainer not included (available)
- Stainless steel standard strainer not included (available)
- Grey silicone dish rack not included (available)

UNDERMOUNT SINKS



DAX-SQ-3312-C

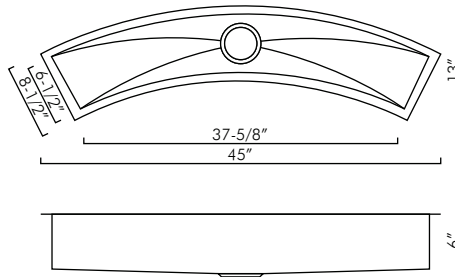
FEATURES

- Handmade sink
- 0mm radius corner
- Undermount
- 304 Stainless Steel
- 16 gauge
- Brushed Stainless Steel
- Size W 33" x H 11-3/8" x D 6"
- Standard 3-1/2" drain opening
- Undercoated and sound pads
- Mounting clips and cutting template

ACCESSORIES

- Stainless steel basket strainer not included (available)
- Stainless steel standard strainer not included (available)
- Grey silicone dish rack not included (available)

UNDERMOUNT SINKS



DAX-SQ-4512-C

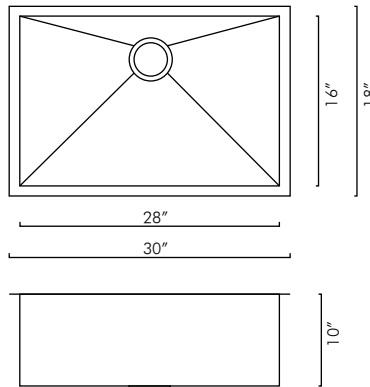
FEATURES

- Handmade sink
- 0mm radius corner
- Undermount
- 304 Stainless Steel
- 16 gauge
- Brushed Stainless Steel
- Size W 45" x H 13" x D 6"
- Standard 3-1/2" drain opening
- Undercoated and sound pads
- Mounting clips and cutting template

ACCESSORIES

- Stainless steel basket strainer not included (available)
- Stainless steel standard strainer not included (available)
- Grey silicone dish rack not included (available)

PRO UNDERMOUNT SINKS



KA-SQ-3018

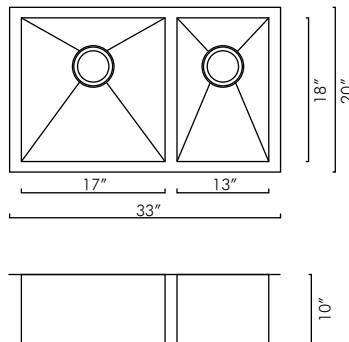
FEATURES

- Handmade sink
- 0mm radius corner
- Undermount
- 304 Stainless Steel
- 18 gauge
- Brushed Stainless Steel
- Size W 30" x H 18" x D 10"
- Standard 3-1/2" drain opening
- Undercoated and sound pads
- Mounting clips and cutting template

ACCESSORIES

- Bottom grid not included (available)
- Stainless steel basket strainer not included (available)
- Stainless steel standard strainer not included (available)
- Square stainless steel colander not included (available)
- Grey silicone dish rack not included (available)

PRO UNDERMOUNT SINKS



KA-SQ-3320

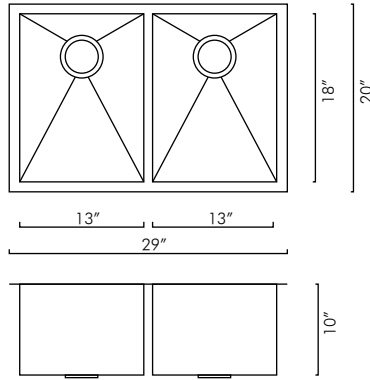
FEATURES

- Handmade sink
- 0mm radius corner
- Undermount
- 304 Stainless Steel
- 18 gauge
- Brushed Stainless Steel
- Size W 33" x H 20" x D 10"
- Standard 3-1/2" drain opening
- Undercoated and sound pads
- Mounting clips and cutting template

ACCESSORIES

- Bottom grid not included (available)
- Stainless steel basket strainer not included (available)
- Stainless steel standard strainer not included (available)
- Square stainless steel colander not included (available)
- Grey silicone dish rack not included (available)

PRO UNDERMOUNT SINKS



KA-SQ-2920A

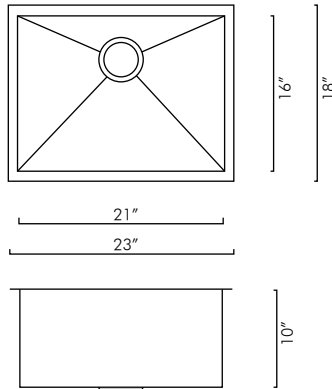
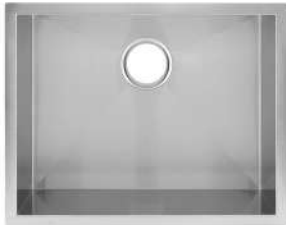
FEATURES

- Handmade sink
- 0mm radius corner
- Undermount
- 304 Stainless Steel
- 18 gauge
- Brushed Stainless Steel
- Size W 29" x H 20" x D 10"
- Standard 3-1/2" drain opening
- Undercoated and sound pads
- Mounting clips and cutting template

ACCESSORIES

- Bottom grid not included (available)
- Stainless steel basket strainer not included (available)
- Stainless steel standard strainer not included (available)
- Square stainless steel colander not included (available)
- Grey silicone dish rack not included (available)

PRO UNDERMOUNT SINKS



KA-SQ-2318

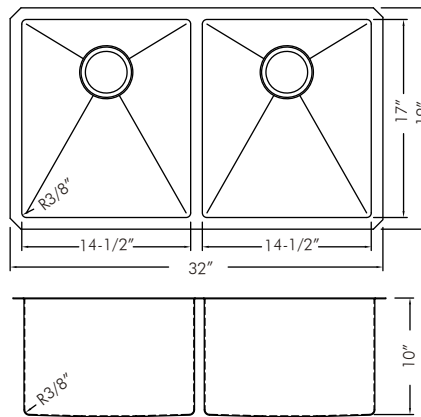
FEATURES

- Handmade sink
- 0mm radius corner
- Undermount
- 304 Stainless Steel
- 18 gauge
- Brushed Stainless Steel
- Size W 23" x H 18" x D 10"
- Standard 3-1/2" drain opening
- Undercoated and sound pads
- Mounting clips and cutting template

ACCESSORIES

- Bottom grid not included (available)
- Stainless steel basket strainer not included (available)
- Stainless steel standard strainer not included (available)
- Square stainless steel colander not included (available)
- Grey silicone dish rack not included (available)

UNDERMOUNT SINKS



DAX-3219ER10

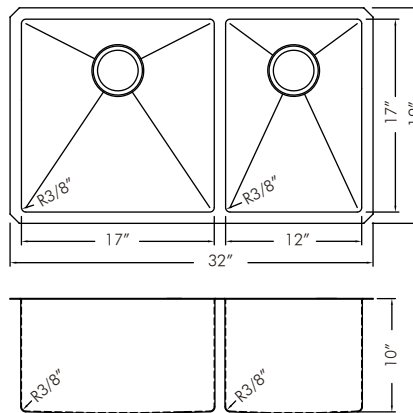
FEATURES

- Handmade sink
- 10 mm radius corner
- Undermount
- 304 Stainless Steel
- 18 gauge
- Brushed Stainless Steel
- Size W 32" x H 19" x D 10"
- Standard 3-1/2" drain opening
- Undercoated and sound pads
- Mounting clips and cutting template

ACCESSORIES

- Bottom grid included
- Stainless steel basket strainer (1 pc included)
- Stainless steel standard strainer not included (available)
- Square stainless steel colander not included (available)
- Grey silicone dish rack included

UNDERMOUNT SINKS



DAX-3219LR10

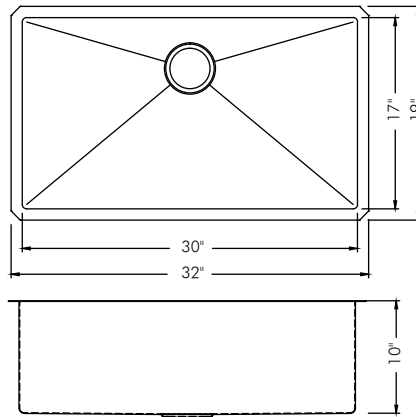
FEATURES

- Handmade sink
- 10 mm radius corner
- Undermount
- 304 Stainless Steel
- 18 gauge
- Brushed Stainless Steel
- Size W 32" x H 19" x D 10"
- Standard 3-1/2" drain opening
- Undercoated and sound pads
- Mounting clips and cutting template

ACCESSORIES

- Bottom grid included
- Stainless steel basket strainer (1 pc included)
- Stainless steel standard strainer not included (available)
- Square stainless steel colander not included (available)
- Grey silicone dish rack included

UNDERMOUNT SINKS



DAX-3219R10

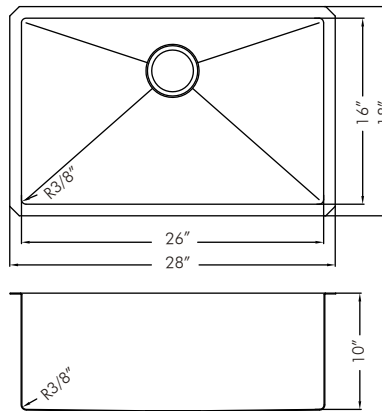
FEATURES

- Handmade sink
- 10 mm radius corner
- Undermount
- 304 Stainless Steel
- 18 gauge
- Brushed Stainless Steel
- Size W 32" x H 19" x D 10"
- Standard 3-1/2" drain opening
- Undercoated and sound pads
- Mounting clips and cutting template

ACCESSORIES

- Bottom grid included
- Stainless steel basket strainer (1 pc included)
- Stainless steel standard strainer not included (available)
- Square stainless steel colander not included (available)
- Grey silicone dish rack included

UNDERMOUNT SINKS



DAX-2818R10

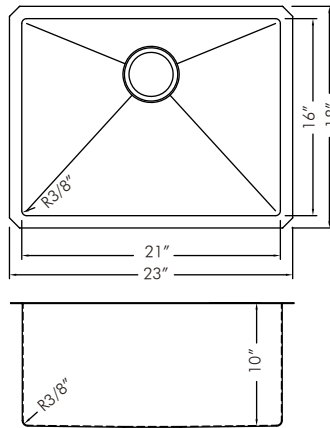
FEATURES

- Handmade sink
- 10 mm radius corner
- Undermount
- 304 Stainless Steel
- 18 gauge
- Brushed Stainless Steel
- Size W 28" x H 18" x D 10"
- Standard 3-1/2" drain opening
- Undercoated and sound pads
- Mounting clips and cutting template

ACCESSORIES

- Bottom grid included
- Stainless steel basket strainer (1 pc included)
- Stainless steel standard strainer not included (available)
- Square stainless steel colander not included (available)
- Grey silicone dish rack included

UNDERMOUNT SINKS



DAX-2318R10

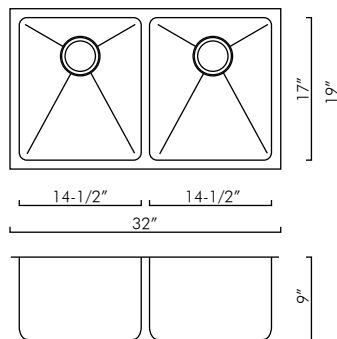
FEATURES

- Handmade sink
- 10 mm radius corner
- Undermount
- 304 Stainless Steel
- 18 gauge
- Brushed Stainless Steel
- Size W 23" x H 18" x D 10"
- Standard 3-1/2" drain opening
- Undercoated and sound pads
- Mounting clips and cutting template

ACCESSORIES

- Bottom grid included
- Stainless steel basket strainer (1 pc included)
- Stainless steel standard strainer not included (available)
- Square stainless steel colander not included (available)
- Grey silicone dish rack included

UNDERMOUNT SINKS



DAX-3118B

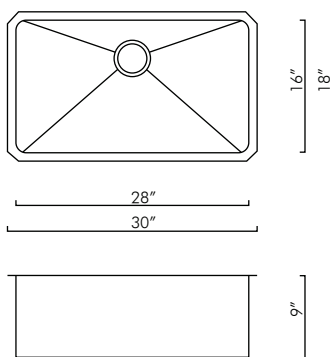
FEATURES

- Handmade sink
- 15 mm radius corner
- Undermount
- 304 Stainless Steel
- 18 gauge
- Brushed Stainless Steel
- Size W 32" x H 19" x D 9"
- Standard 3-1/2" drain opening
- Undercoated and sound pads
- Mounting clips and cutting template

ACCESSORIES

- Bottom grid included
- Stainless steel basket strainer (1 pc included)
- Stainless steel standard strainer not included (available)
- Round stainless steel colander included
- Square stainless steel colander not included (available)
- Grey silicone dish rack not included (available)

UNDERMOUNT SINKS



DAX-3018B

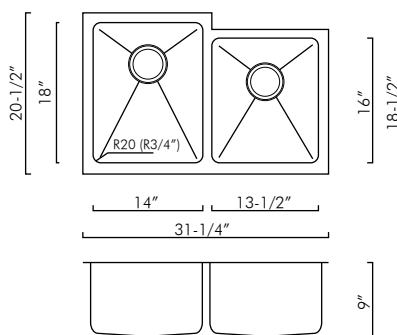
FEATURES

- Handmade sink
- 15 mm radius corner
- Undermount
- 304 Stainless Steel
- 18 gauge
- Brushed Stainless Steel
- Size W 30" x H 18" x D 9"
- Standard 3-1/2" drain opening
- Undercoated and sound pads
- Mounting clips and cutting template

ACCESSORIES

- Bottom grid included
- Stainless steel basket strainer (1 pc included)
- Stainless steel standard strainer not included (available)
- Round stainless steel colander included
- Square stainless steel colander not included (available)
- Grey silicone dish rack not included (available)

UNDERMOUNT SINKS



DAX-3120B

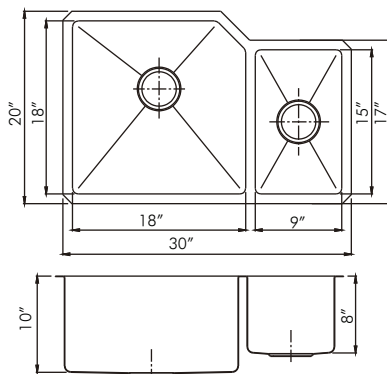
FEATURES

- Handmade sink
- 15 mm radius corner
- Undermount
- 304 Stainless Steel
- 18 gauge
- Brushed Stainless Steel
- Size W 31-1/4" x H 20-1/2" x D 9"
- Standard 3-1/2" drain opening
- Undercoated and sound pads
- Mounting clips and cutting template

ACCESSORIES

- Bottom grid included
- Stainless steel basket strainer (1 pc included)
- Stainless steel standard strainer not included (available)
- Round stainless steel colander included
- Square stainless steel colander not included (available)
- Grey silicone dish rack not included (available)

UNDERMOUNT SINKS



DAX-3020B

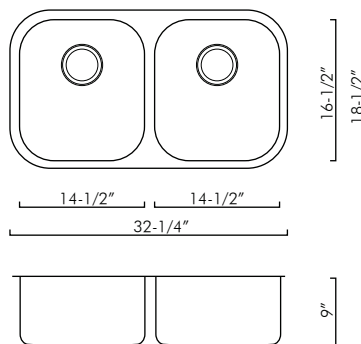
FEATURES

- Handmade sink
- 15 mm radius corner
- Undermount
- 304 Stainless Steel
- 16 gauge
- Brushed Stainless Steel
- Size W 30" x H 20" x D 10"
- Standard 3-1/2" drain opening
- Undercoated and sound pads
- Mounting clips and cutting template

ACCESSORIES

- Bottom grid included
- Stainless steel basket strainer (1 pc included)
- Stainless steel standard strainer not included (available)
- Round stainless steel colander included
- Square stainless steel colander not included (available)
- Grey silicone dish rack not included (available)

UNDERMOUNT SINKS



DAX-3118

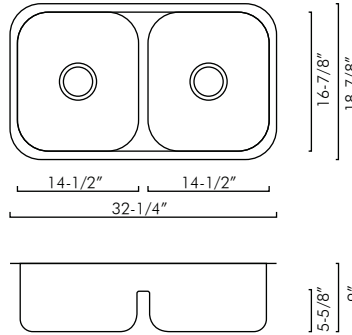
FEATURES

- Pressed sink
- Undermount
- 304 Stainless Steel
- 18 gauge
- Brushed Stainless Steel
- Size W 32-1/4" x H 18-1/2" x D 9"
- Standard 3-1/2" drain opening
- Undercoated and sound pads
- Mounting clips and cutting template

ACCESSORIES

- Bottom grid not included (available)
- Stainless steel basket strainer not included (available)
- Stainless steel standard strainer not included (available)
- Dish rack not included (available)
- Grey silicone dish rack not included (available)

UNDERMOUNT SINKS



DAX-3218

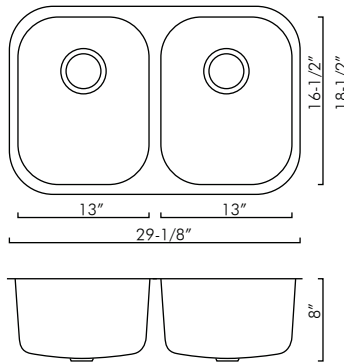
FEATURES

- Pressed sink
- Undermount
- 304 Stainless Steel
- 18 gauge
- Brushed Stainless Steel
- Size W 32-1/4" x H 18-7/8" x D 9"
- Standard 3-1/2" drain opening
- Undercoated and sound pads
- Mounting clips and cutting template

ACCESSORIES

- Bottom grid not included (available)
- Stainless steel basket strainer not included (available)
- Stainless steel standard strainer not included (available)
- Dish rack not included (available)
- Grey silicone dish rack not included (available)

UNDERMOUNT SINKS



DAX-2918

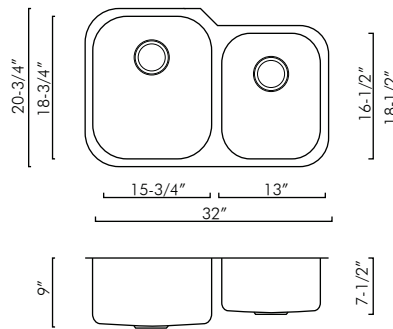
FEATURES

- Pressed sink
- Undermount
- 304 Stainless Steel
- 18 gauge
- Brushed Stainless Steel
- Size W 29-1/8" x H 18-1/2" x D 8"
- Standard 3-1/2" drain opening
- Undercoated and sound pads
- Mounting clips and cutting template

ACCESSORIES

- Bottom grid not included (available)
- Stainless steel basket strainer not included (available)
- Stainless steel standard strainer not included (available)
- Dish rack not included (available)
- Grey silicone dish rack not included (available)

UNDERMOUNT SINKS



DAX-3120L

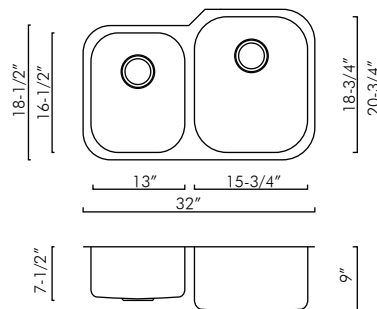
FEATURES

- Pressed sink
- Undermount
- 304 Stainless Steel
- 18 gauge
- Brushed Stainless Steel
- Size W 32" x H 20-3/4" x D 9"
- Standard 3-1/2" drain opening
- Undercoated and sound pads
- Mounting clips and cutting template

ACCESSORIES

- Bottom grid not included (available)
- Stainless steel basket strainer not included (available)
- Stainless steel standard strainer not included (available)
- Dish rack not included (available)
- Grey silicone dish rack not included (available)

UNDERMOUNT SINKS



DAX-3120R

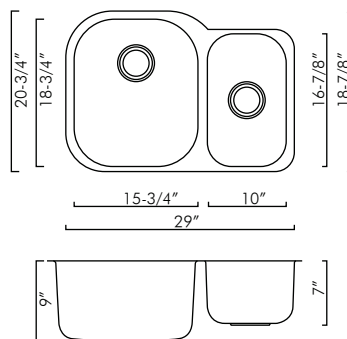
FEATURES

- Pressed sink
- Undermount
- 304 Stainless Steel
- 18 gauge
- Brushed Stainless Steel
- Size W 32" x H 20-3/4" x D 9"
- Standard 3-1/2" drain opening
- Undercoated and sound pads
- Mounting clips and cutting template

ACCESSORIES

- Bottom grid not included (available)
- Stainless steel basket strainer not included (available)
- Stainless steel standard strainer not included (available)
- Dish rack not included (available)
- Grey silicone dish rack not included (available)

UNDERMOUNT SINKS



DAX-2920L

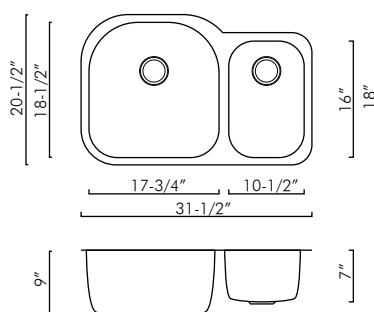
FEATURES

- Pressed sink
- Undermount
- 304 Stainless Steel
- 18 gauge
- Brushed Stainless Steel
- Size W 29" x H 20-3/4" x D 9"
- Standard 3-1/2" drain opening
- Undercoated and sound pads
- Mounting clips and cutting template

ACCESSORIES (NOT INCLUDED)

- Bottom grid not included (available)
- Stainless steel basket strainer not included (available)
- Stainless steel standard strainer not included (available)
- Dish rack not included (available)
- Grey silicone dish rack not included (available)

UNDERMOUNT SINKS



DAX-3121L

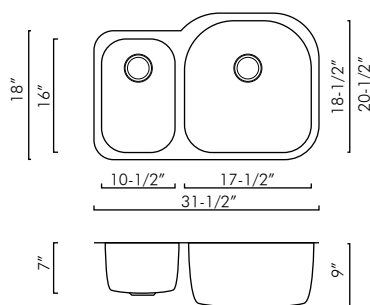
FEATURES

- Pressed sink
- Undermount
- 304 Stainless Steel
- 18 gauge
- Brushed Stainless Steel
- Size W 31-1/2" x H 20-1/2" x D 9"
- Standard 3-1/2" drain opening
- Undercoated and sound pads
- Mounting clips and cutting template

ACCESSORIES

- Bottom grid not included (available)
- Stainless steel basket strainer not included (available)
- Stainless steel standard strainer not included (available)
- Dish rack not included (available)
- Grey silicone dish rack not included (available)

UNDERMOUNT SINKS



DAX-3121R

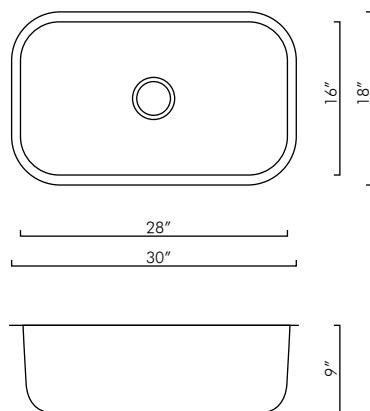
FEATURES

- Pressed sink
- Undermount
- 304 Stainless Steel
- 18 gauge
- Brushed Stainless Steel
- Size W 31-1/2" x H 20-1/2" x D 9"
- Standard 3-1/2" drain opening
- Undercoated and sound pads
- Mounting clips and cutting template

ACCESSORIES

- Bottom grid not included (available)
- Stainless steel basket strainer not included (available)
- Stainless steel standard strainer not included (available)
- Dish rack not included (available)
- Grey silicone dish rack not included (available)

UNDERMOUNT SINKS



DAX-3018

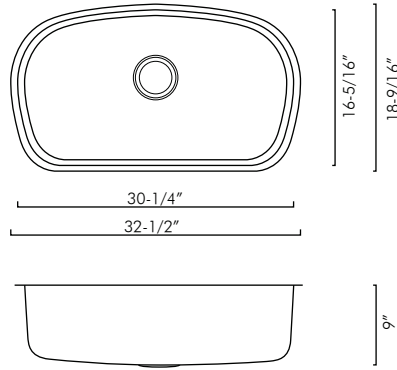
FEATURES

- Pressed sink
- Undermount
- 304 Stainless Steel
- 18 gauge
- Brushed Stainless Steel
- Size W 30" x H 18" x D 9"
- Standard 3-1/2" drain opening
- Undercoated and sound pads
- Mounting clips and cutting template

ACCESSORIES

- Bottom grid not included (available)
- Stainless steel basket strainer not included (available)
- Stainless steel standard strainer not included (available)
- Dish rack not included (available)
- Grey silicone dish rack not included (available)

UNDERMOUNT SINKS



DAX-3319

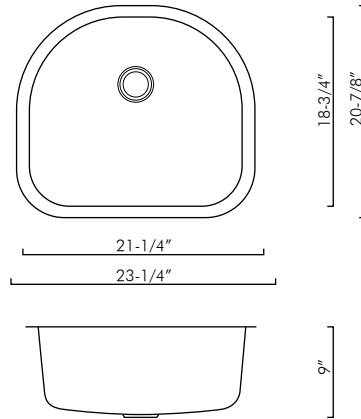
FEATURES

- Pressed sink
- Undermount
- 304 Stainless Steel
- 18 gauge
- Brushed Stainless Steel
- Size W 32-1/2" x H 18-9/16" x D 9"
- Standard 3-1/2" drain opening
- Undercoated and sound pads
- Mounting clips and cutting template

ACCESSORIES

- Bottom grid not included (available)
- Stainless steel basket strainer not included (available)
- Stainless steel standard strainer not included (available)
- Dish rack not included (available)
- Grey silicone dish rack not included (available)

UNDERMOUNT SINKS



DAX-2321

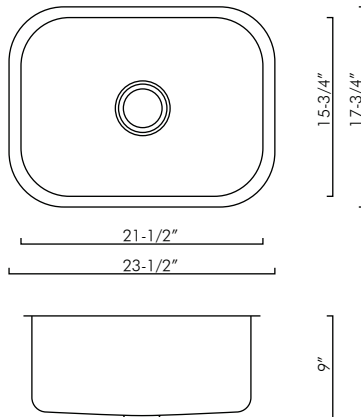
FEATURES

- Pressed sink
- Undermount
- 304 Stainless Steel
- 18 gauge
- Brushed Stainless Steel
- Size W 23-1/4" x H 20-7/8" x D 9"
- Standard 3-1/2" drain opening
- Undercoated and sound pads
- Mounting clips and cutting template

ACCESSORIES

- Bottom grid not included (available)
- Stainless steel basket strainer not included (available)
- Stainless steel standard strainer not included (available)
- Dish rack not included (available)
- Grey silicone dish rack not included (available)

UNDERMOUNT SINKS



DAX-2317

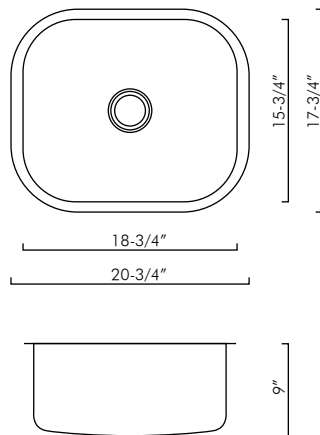
FEATURES

- Pressed sink
- Undermount
- 304 Stainless Steel
- 18 gauge
- Brushed Stainless Steel
- Size W 23-1/2" x H 17-3/4" x D 9"
- Standard 3-1/2" drain opening
- Undercoated and sound pads
- Mounting clips and cutting template

ACCESSORIES

- Bottom grid not included (available)
- Stainless steel basket strainer not included (available)
- Stainless steel standard strainer not included (available)
- Dish rack not included (available)
- Grey silicone dish rack not included (available)

UNDERMOUNT SINKS



DAX-1720

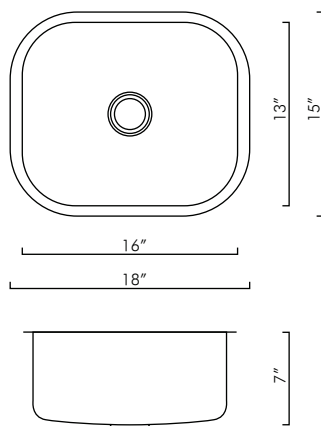
FEATURES

- Pressed sink
- Undermount
- 304 Stainless Steel
- 18 gauge
- Brushed Stainless Steel
- Size W 20-3/4" x H 17-3/4" x D 9"
- Standard 3-1/2" drain opening
- Undercoated and sound pads
- Mounting clips and cutting template

ACCESSORIES

- Bottom grid not included (available)
- Stainless steel basket strainer not included (available)
- Stainless steel standard strainer not included (available)
- Dish rack not included (available)
- Grey silicone dish rack not included (available)

UNDERMOUNT SINKS



DAX-1815

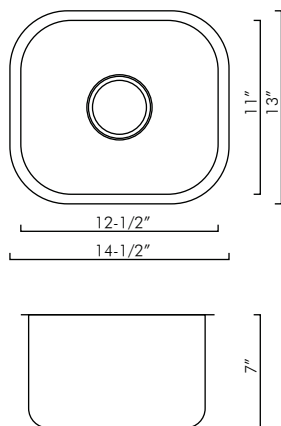
FEATURES

- Pressed sink
- Undermount
- 304 Stainless Steel
- 18 gauge
- Brushed Stainless Steel
- Size W 18" x H 15" x D 7"
- Standard 3-1/2" drain opening
- Undercoated and sound pads
- Mounting clips and cutting template

ACCESSORIES

- Bottom grid not included (available)
- Stainless steel basket strainer not included (available)
- Stainless steel standard strainer not included (available)
- Dish rack not included (available)
- Grey silicone dish rack not included (available)

UNDERMOUNT SINKS



DAX-1214

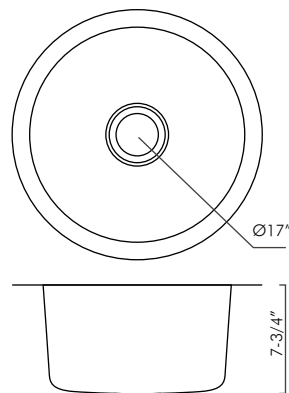
FEATURES

- Pressed sink
- Undermount
- 304 Stainless Steel
- 18 gauge
- Brushed Stainless Steel
- Size W 14-1/2" x H 13" x D 7"
- Standard 3-1/2" drain opening
- Undercoated and sound pads
- Mounting clips and cutting template

ACCESSORIES

- Bottom grid not included (available)
- Stainless steel basket strainer not included (available)
- Stainless steel standard strainer not included (available)
- Dish rack not included (available)
- Grey silicone dish rack not included (available)

UNDERMOUNT SINKS



DAX-415

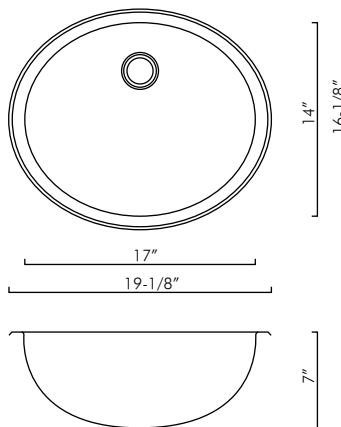
FEATURES

- Pressed sink
- Undermount
- 304 Stainless Steel
- 20 gauge
- Brushed Stainless Steel
- Size W Ø 17" x D 7-3/4"
- Standard 3-1/2" drain opening
- Undercoated and sound pads
- Mounting clips and cutting template

ACCESSORIES

- Stainless steel basket strainer not included (available)
- Stainless steel standard strainer not included (available)
- Dish rack not included (available)
- Grey silicone dish rack not included (available)

UNDERMOUNT SINKS

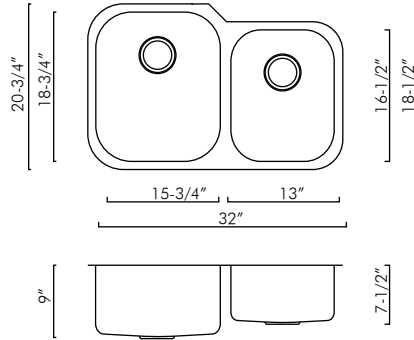


DAX-1916

FEATURES

- Pressed sink
- Undermount
- 304 Stainless Steel
- 18 gauge
- Brushed Stainless Steel
- Size W 19-1/8" x H 16-1/8" x D 7"
- Standard 1-3/4" drain opening
- Undercoated and sound pads
- Mounting clips and cutting template

PRO UNDERMOUNT SINKS



KA-3120L

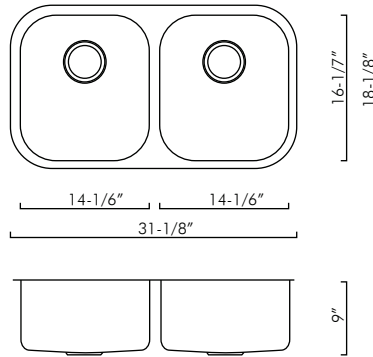
FEATURES

- Pressed sink
- Undermount
- 304 Stainless Steel
- 18 gauge
- Brushed Stainless Steel
- Size W 32" x H 20-3/4" x D 9"
- Standard 3-1/2" drain opening
- Undercoated and sound pads
- Mounting clips and cutting template

ACCESSORIES

- Bottom grid not included (available)
- Stainless steel basket strainer not included (available)
- Stainless steel standard strainer not included (available)
- Dish rack not included (available)
- Grey silicone dish rack not included (available)

PRO UNDERMOUNT SINKS



KA-3118

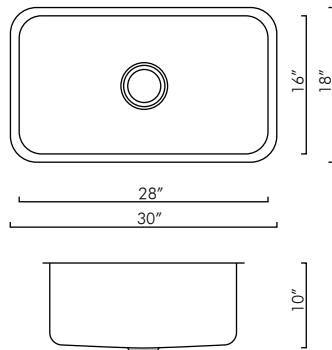
FEATURES

- Pressed sink
- Undermount
- 304 Stainless Steel
- 18 gauge
- Brushed Stainless Steel
- Size W 31-1/8" x H 18-1/8" x D 9"
- Standard 3-1/2" drain opening
- Undercoated and sound pads
- Mounting clips and cutting template

ACCESSORIES

- Bottom grid not included (available)
- Stainless steel basket strainer not included (available)
- Stainless steel standard strainer not included (available)
- Dish rack not included (available)
- Grey silicone dish rack not included (available)

PRO UNDERMOUNT SINKS



KA-3018

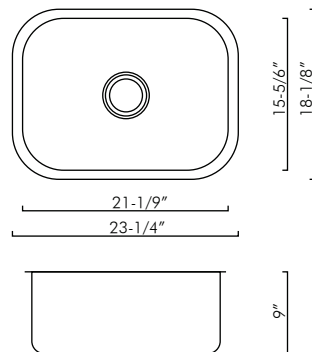
FEATURES

- Pressed sink
- Undermount
- 304 Stainless Steel
- 18 gauge
- Brushed Stainless Steel
- Size W 30" x H 18" x D 10"
- Standard 3-1/2" drain opening
- Undercoated and sound pads
- Mounting clips and cutting template

ACCESSORIES

- Bottom grid not included (available)
- Stainless steel basket strainer not included (available)
- Stainless steel standard strainer not included (available)
- Dish rack not included (available)
- Grey silicone dish rack not included (available)

PRO UNDERMOUNT SINKS



KA-2317

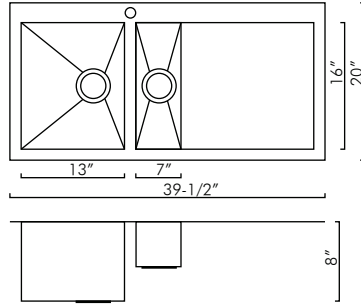
FEATURES

- Pressed sink
- Undermount
- 304 Stainless Steel
- 18 gauge
- Brushed Stainless Steel
- W 23-1/4" x H 18-1/8" x D 9"
- Standard 3-1/2" drain opening
- Undercoated and sound pads
- Mounting clips and cutting template

ACCESSORIES

- Bottom grid not included (available)
- Stainless steel basket strainer not included (available)
- Stainless steel standard strainer not included (available)
- Dish rack not included (available)
- Grey silicone dish rack not included (available)

TOP MOUNT SINKS



DAX-AT100DP

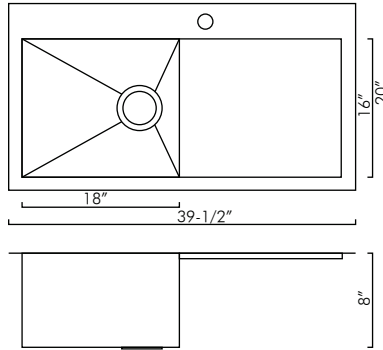
FEATURES

- Handmade sink
- 0mm radius corner
- Overmount
- 304 Stainless Steel
- 18 gauge
- Brushed Stainless Steel
- Size W 39-1/2" x H 20" x D 8"
- Standard 3-1/2" drain opening
- Undercoated and sound pads
- Mounting clips and cutting template

ACCESSORIES

- Bottom grid included
- Stainless steel standard strainer included
- Overflow drain (parts included)

TOP MOUNT SINKS



DAX-AT100SP

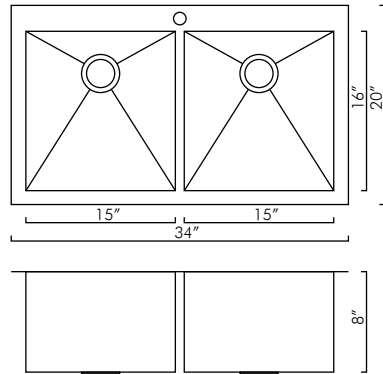
FEATURES

- Handmade sink
- 0mm radius corner
- Overmount
- 304 Stainless Steel
- 18 gauge
- Brushed Stainless Steel
- Size W 39-1/2" x H 20" x D 8"
- Standard 3-1/2" drain opening
- Undercoated and sound pads
- Mounting clips and cutting template

ACCESSORIES

- Bottom grid included
- Stainless steel standard strainer included
- Overflow drain (parts included)

TOP MOUNT SINKS



DAX-AT860

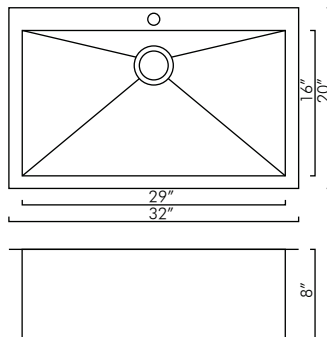
FEATURES

- Handmade sink
- 0mm radius corner
- Overmount
- 304 Stainless Steel
- 18 gauge
- Brushed Stainless Steel
- Size W 34" x H 20" x D 8"
- Standard 3-1/2" drain opening
- Undercoated and sound pads
- Mounting clips and cutting template

ACCESSORIES

- Bottom grid included
- Stainless steel standard strainer included
- Overflow drain (parts included)

TOP MOUNT SINKS



DAX-AT82S

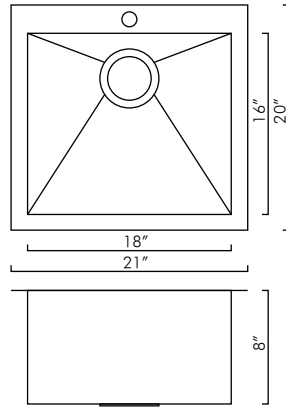
FEATURES

- Handmade sink
- 0mm radius corner
- Overmount
- 304 Stainless Steel
- 18 gauge
- Brushed Stainless Steel
- Size W 32" x H 20" x D 8"
- Standard 3-1/2" drain opening
- Undercoated and sound pads
- Mounting clips and cutting template

ACCESSORIES

- Bottom grid included
- Stainless steel standard strainer included
- Overflow drain (parts included)

TOP MOUNT SINKS



DAX-AT54S

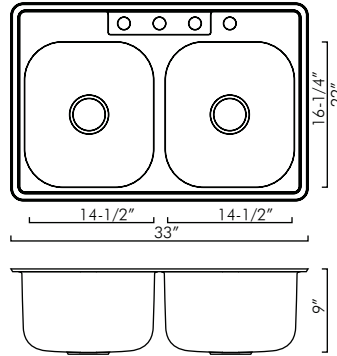
FEATURES

- Handmade sink
- 0mm radius corner
- Overmount
- 304 Stainless Steel
- 18 gauge
- Brushed Stainless Steel
- Size W 21" x H 20" x D 8"
- Standard 3-1/2" drain opening
- Undercoated and sound pads
- Mounting clips and cutting template

ACCESSORIES

- Bottom grid included
- Stainless steel standard strainer included
- Overflow drain (parts included)

TOP MOUNT SINKS



DAX-OM-3322

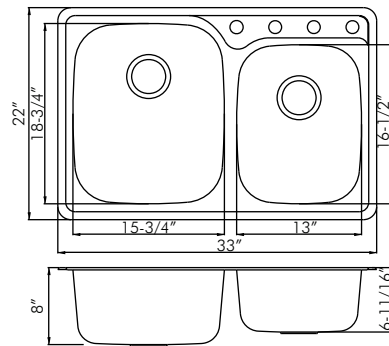
FEATURES

- Pressed sink
- Overmount
- 304 Stainless Steel
- 20 gauge
- Brushed Stainless Steel
- Size W 33" x H 22" x D 9"
- Standard 3-1/2" drain opening
- Undercoated and sound pads
- Mounting clips

ACCESSORIES

- Bottom grid not included (available)
- Stainless steel basket strainer not included (available)
- Stainless steel standard strainer not included (available)
- Dish rack not included (available)
- Grey silicone dish rack not included (available)

TOP MOUNT SINKS



DAX-OM-911

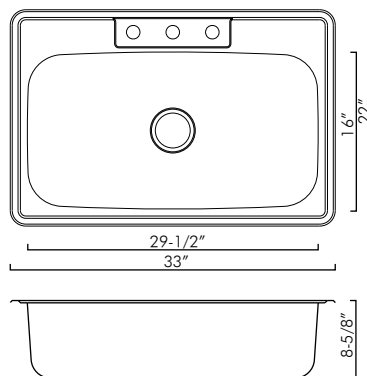
FEATURES

- Pressed sink
- Overmount
- 304 Stainless Steel
- 20 gauge
- Brushed Stainless Steel
- Size W 33" x H 22" x D 8"
- Standard 3-1/2" drain opening
- Undercoated and sound pads
- Mounting clips

ACCESSORIES

- Bottom grid not included (available)
- Stainless steel basket strainer not included (available)
- Stainless steel standard strainer not included (available)
- Dish rack not included (available)
- Grey silicone dish rack not included (available)

TOP MOUNT SINKS



DAX-OM-3323

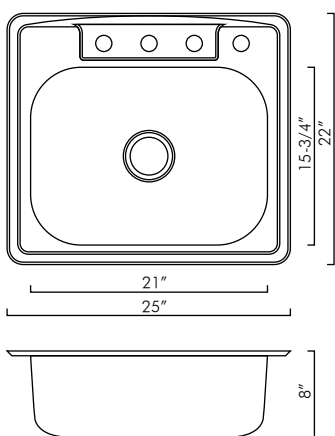
FEATURES

- Pressed sink
- Overmount
- 304 Stainless Steel
- 20 gauge
- Brushed Stainless Steel
- Size W 33" x H 22" x D 8-5/8"
- Standard 3-1/2" drain opening
- Undercoated and sound pads
- Mounting clips

ACCESSORIES

- Bottom grid not included (available)
- Stainless steel basket strainer not included (available)
- Stainless steel standard strainer not included (available)
- Dish rack not included (available)
- Grey silicone dish rack not included (available)

TOP MOUNT SINKS



DAX-OM-2522

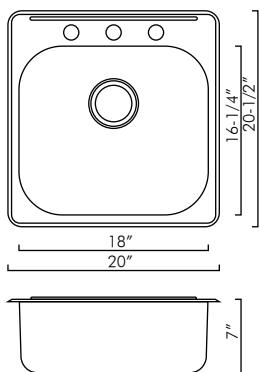
FEATURES

- Pressed sink
- Overmount
- 304 Stainless Steel
- 20 gauge
- Brushed Stainless Steel
- Size W 25" x H 22" x D 8"
- Standard 3-1/2" drain opening
- Undercoated and sound pads
- Mounting clips

ACCESSORIES

- Bottom grid not included (available)
- Stainless steel basket strainer not included (available)
- Stainless steel standard strainer not included (available)
- Dish rack not included (available)
- Grey silicone dish rack not included (available)

TOP MOUNT SINKS



DAX-OM-2020

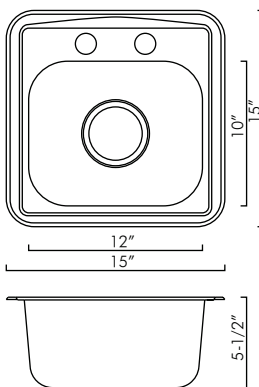
FEATURES

- Pressed sink
- Overmount
- 304 Stainless Steel
- 20 gauge
- Brushed Stainless Steel
- Size W 20" x H 20-1/2" x D 7"
- Standard 3-1/2" drain opening
- Undercoated and sound pads
- Mounting clips

ACCESSORIES

- Bottom grid not included (available)
- Stainless steel basket strainer not included (available)
- Stainless steel standard strainer not included (available)
- Dish rack not included (available)
- Grey silicone dish rack not included (available)

TOP MOUNT SINKS



DAX-OM-1515

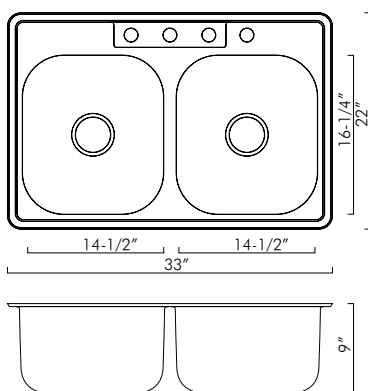
FEATURES

- Pressed sink
- Overmount
- 304 Stainless Steel
- 23 gauge
- Brushed Stainless Steel
- Size W 15" x H 15" x D 5-1/2"
- Standard 3-1/2" drain opening
- Undercoated and sound pads
- Mounting clips

ACCESSORIES

- Bottom grid not included (available)
- Stainless steel basket strainer not included (available)
- Stainless steel standard strainer not included (available)
- Dish rack not included (available)
- Grey silicone dish rack not included (available)

PRO TOP MOUNT SINKS



KA-OM3322

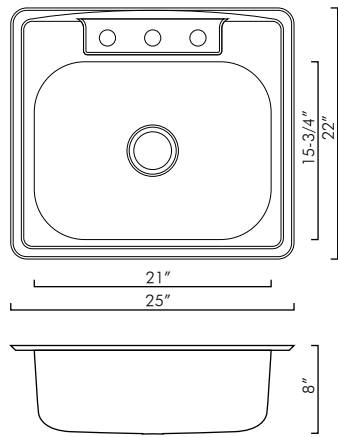
FEATURES

- Pressed sink
- Overmount
- 304 Stainless Steel
- 20 gauge
- Brushed Stainless Steel
- Size W 33" x H 22" x D 9"
- Standard 3-1/2" drain opening
- Undercoated and sound pads
- Mounting clips

ACCESSORIES

- Bottom grid not included (available)
- Stainless steel basket strainer not included (available)
- Stainless steel standard strainer not included (available)
- Dish rack not included (available)
- Grey silicone dish rack not included (available)

PRO TOP MOUNT SINKS



KA-OM2522

FEATURES

- Pressed sink
- Overmount
- 304 Stainless Steel
- 20 gauge
- Brushed Stainless Steel
- Size W 25" x H 22" x D 8"
- Standard 3-1/2" drain opening
- Undercoated and sound pads
- Mounting clips

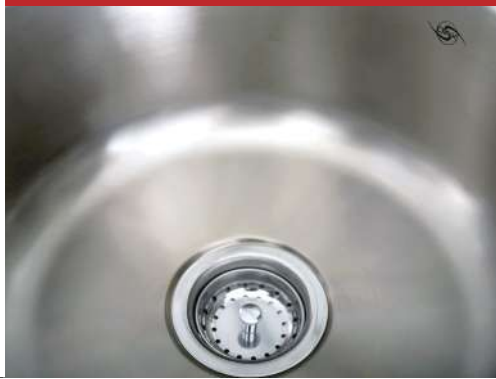
ACCESSORIES

- Bottom grid not included (available)
- Stainless steel basket strainer not included (available)
- Stainless steel standard strainer not included (available)
- Dish rack not included (available)
- Grey silicone dish rack not included (available)

DAX-SQ-3621



DAX-415



DAX-SQ-3320F



DAX-SQ-2920



* WARRANTY DETAILS AND SPECIFICATIONS ARE AVAILABLE IN THE DOWNLOADS SECTIONS AT DAXIB.COM

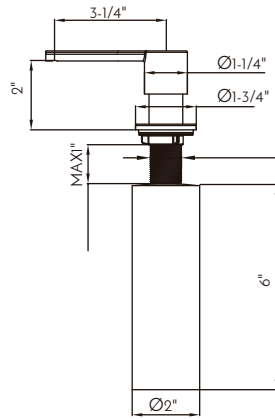




KITCHEN
ACCESSORIES SERIES 03



SOAP DISPENSERS

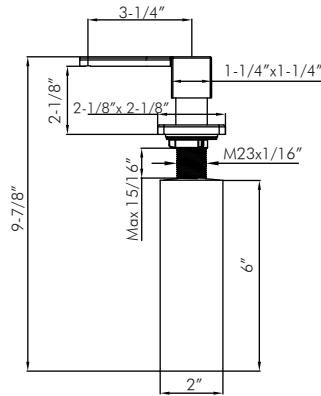


DAX-009-01

FEATURES

- Brass body
- Brushed nickel finish

SOAP DISPENSERS

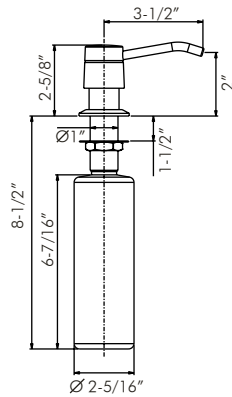


DAX-009-02

FEATURES

- Brass body
- Brushed nickel finish

SOAP DISPENSERS



DAX-81002

FEATURES

- Brass body

FINISH

- DAX-81002-BN Brushed nickel
- DAX-81002-CR Chrome

SINK STRAINERS



DR-303A

FEATURES

- Stainless steel basket strainer
- Brushed stainless steel finish
- Size W 4-1/2" x D 4"

SINK STRAINERS



DR-401

FEATURES

- Stainless steel standard strainer
- Brushed stainless steel finish
- Size W 4-1/2" x D 4-3/4"

DECK PLATES

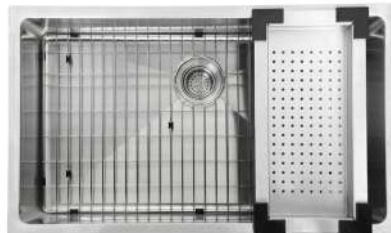


DP-2000

FEATURES

- Deck plate
- Brass body
- Brushed nickel finish
- Size W 9-15/16" x H 2-7/16" x D 5/16"

COLANDER STRAINERS



COLANDER STRAINER

FEATURES

- Stainless steel body
- Overmount
- ABS corner grabs
- Dishwasher safe

CUTTING BOARDS

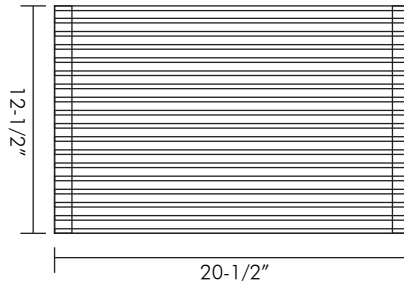


CUTTING BOARD

FEATURES

- Wood cutting board
- RAW finish

DISH RACKS

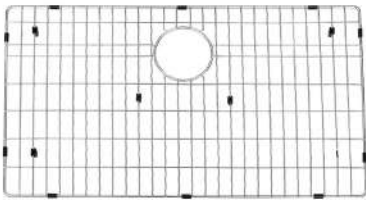


DAX-DDR58120

FEATURES

- Roll-up dishrack
- Over the sink
- Multi-purpose
- Grey color
- Silicone material
- Heat resistant
- Dishwasher safe
- Size W 20-1/2" x H 12-1/2"

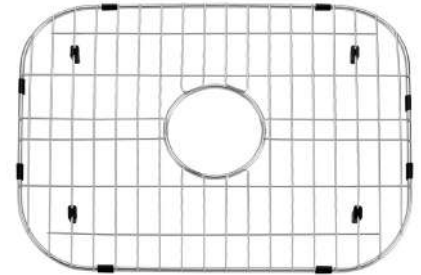
GRID-SQ3621



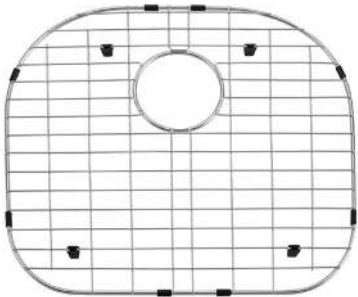
GRID-1720



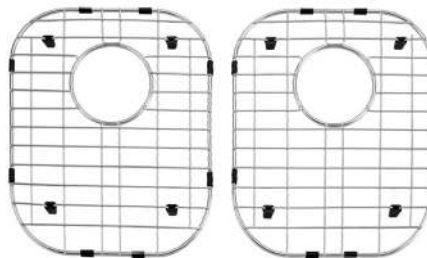
GRID-2317



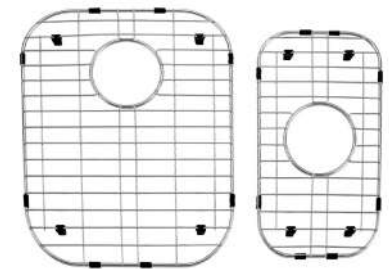
GRID-2321



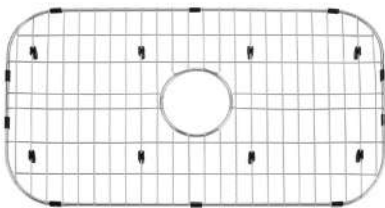
GRID-2918



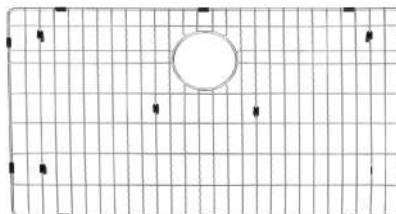
GRID-2920L



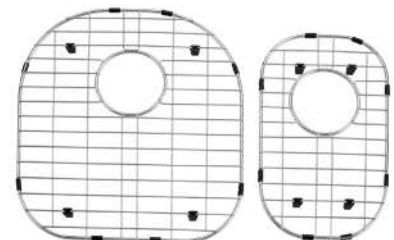
GRID-3018



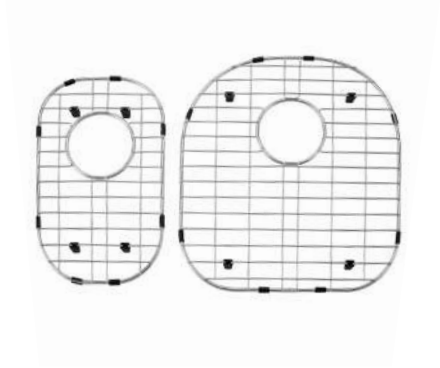
GRID-3018B



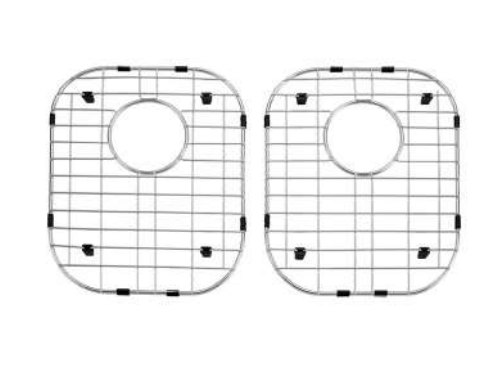
GRID-3121L



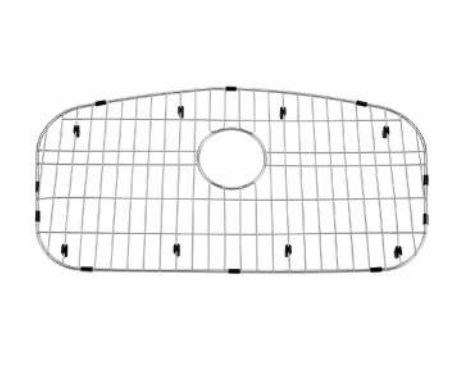
GRID-3121R



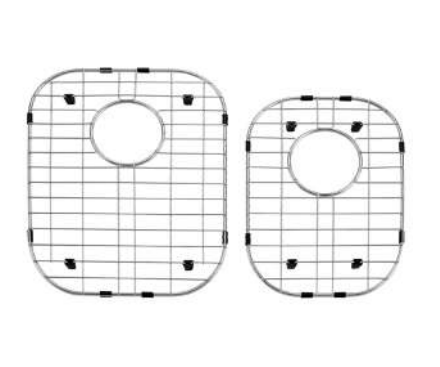
GRID-3218



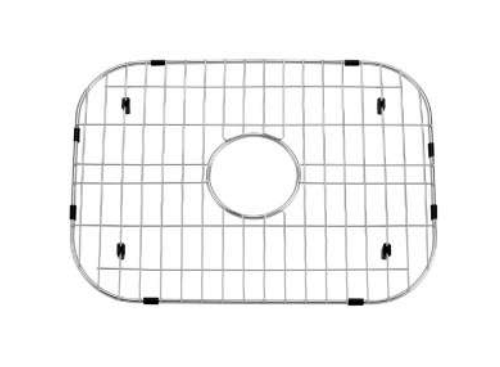
GRID-3319



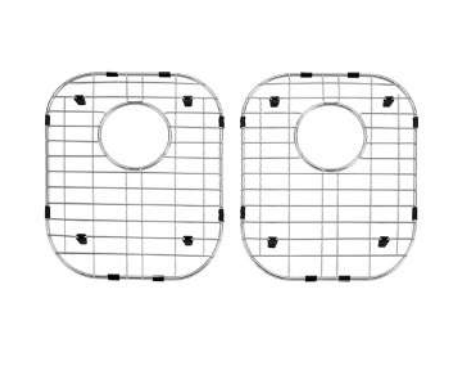
GRID-OM911



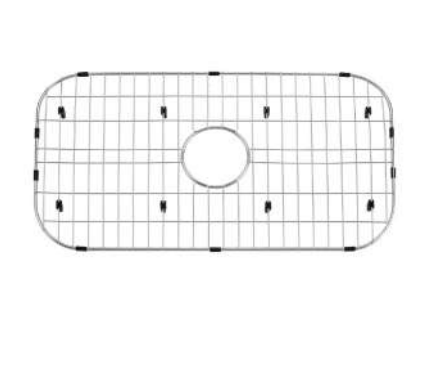
GRID-OM2522



GRID-OM3322



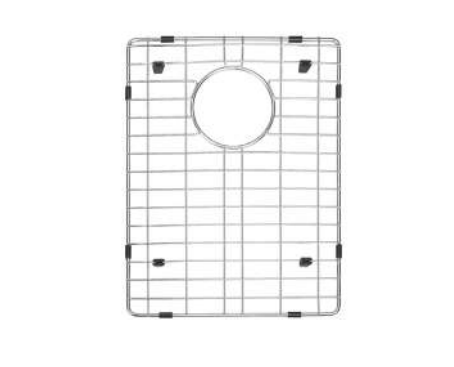
GRID-OM3323



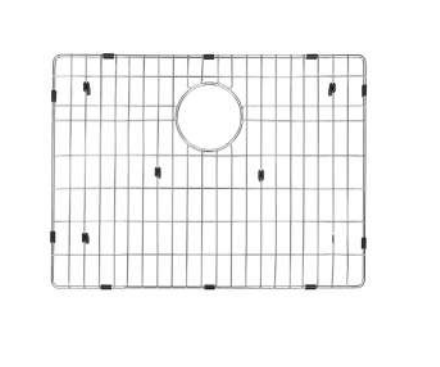
GRID-SQ1512



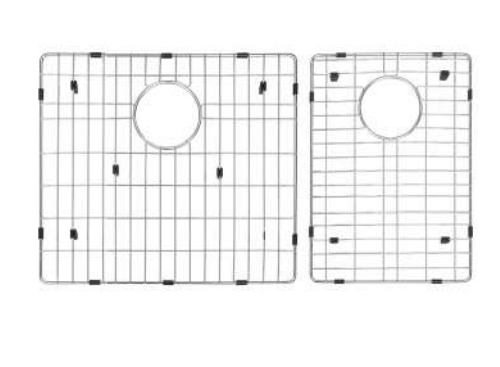
GRID-SQ1920



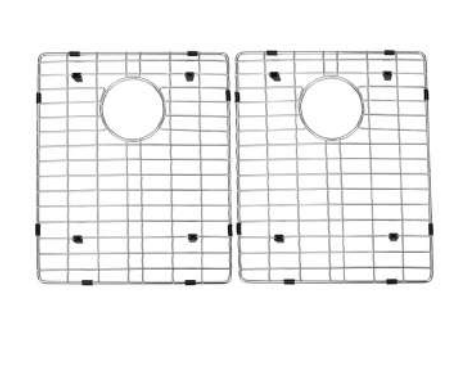
GRID-SQ2318



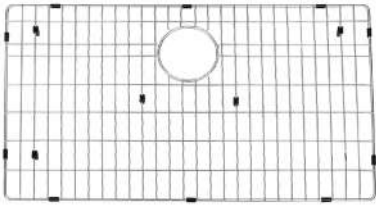
GRID-SQ2920



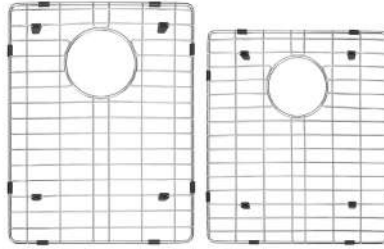
GRID-SQ2920A



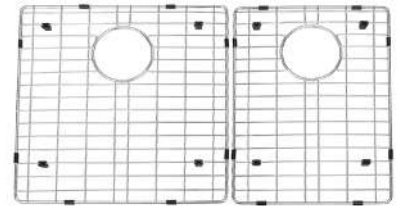
GRID-SQ3018



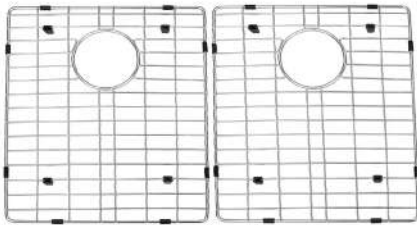
GRID-SQ3120



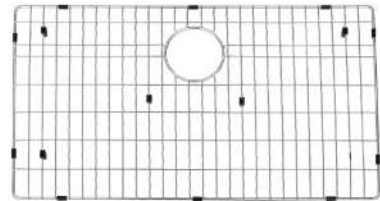
GRID-SQ3320



GRID-SQ3320F



GRID-SQ3321



GRID-2317



COLANDER STRAINER



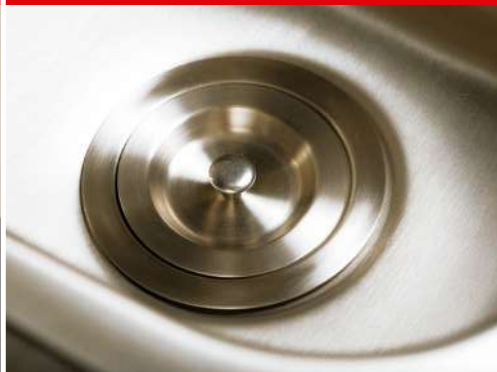
GRID-1214



DP-2000



DR-303A



CUTTING BOARD



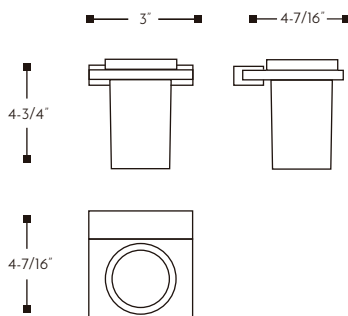
* WARRANTY DETAILS AND SPECIFICATIONS ARE AVAILABLE IN THE DOWNLOADS SECTIONS AT DAXIB.COM



BATHROOM
ACCESSORIES SERIES 04



VANITY CUPS



DAX-GDC060152

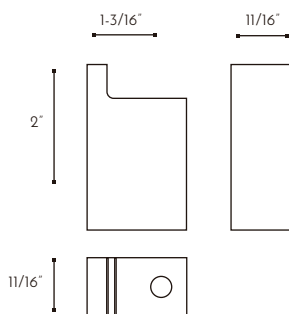
FEATURES

- Brass body
- Wall mount
- Glass shelf
- Frosted glass cup
- Mounting parts included

FINISH

- DAX-GDC060152-CR Chrome
- DAX-GDC060152-BN Brushed nickel

TOWEL HOLDERS



DAX-GDC060121

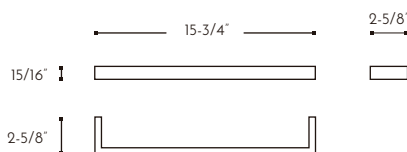
FEATURES

- Brass body
- Wall mount
- Mounting parts included

FINISH

- DAX-GDC060121-CR Chrome
- DAX-GDC060121-BN Brushed nickel

TOWEL BARS



DAX-GDC060166

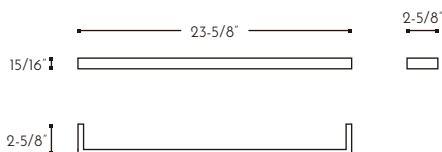
FEATURES

- Brass body
- Wall mount
- Mounting parts included

FINISH

- DAX-GDC060166-CR Chrome
- DAX-GDC060166-BN Brushed nickel

TOWEL BARS



DAX-GDC060167

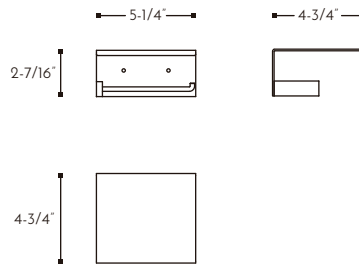
FEATURES

- Brass body
- Wall mount
- Mounting parts included

FINISH

- DAX-GDC060167-CR Chrome
- DAX-GDC060167-BN Brushed nickel

TOILET PAPER HOLDERS



DAX-GDC060159

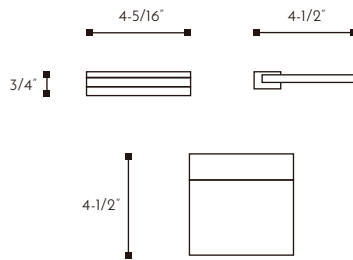
FEATURES

- Brass body
- Wall mount
- Mounting parts included

FINISH

- DAX-GDC060159-CR Chrome
- DAX-GDC060159-BN Brushed nickel

SOAP DISHES



DAX-GDC060132

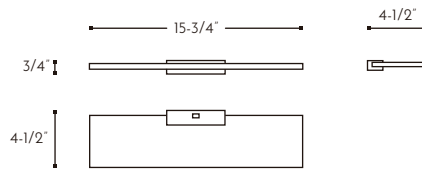
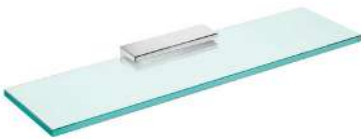
FEATURES

- Brass body
- Wall mount
- Glass shelf
- Mounting parts included

FINISH

- DAX-GDC060132-CR Chrome
- DAX-GDC060132-BN Brushed nickel

BATHROOM SHELVES



DAX-GDC060144

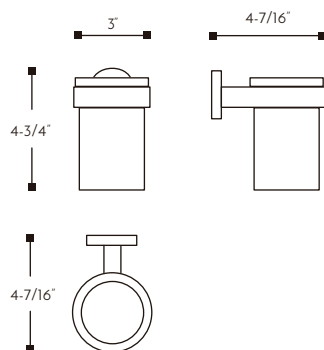
FEATURES

- Brass body
- Wall mount
- Glass shelf
- Mounting parts included

FINISH

- DAX-GDC060144-CR Chrome
- DAX-GDC060144-BN Brushed nickel

VANITY CUPS



DAX-GDC120152

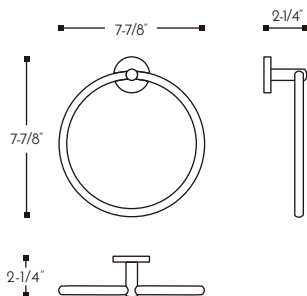
FEATURES

- Brass body
- Wall mount
- Frosted glass cup
- Mounting parts included

FINISH

- DAX-GDC120152-CR Chrome
- DAX-GDC120152-BN Brushed nickel

TOWEL RINGS



DAX-GDC120172

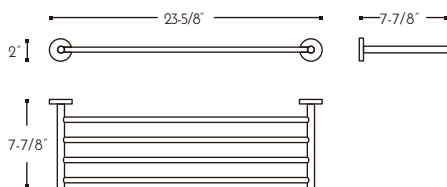
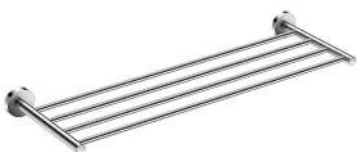
FEATURES

- Brass body
- Wall mount
- Mounting parts included

FINISH

- DAX-GDC120172-CR Chrome
- DAX-GDC120172-BN Brushed nickel

TOWEL RACKS



DAX-GDC120168

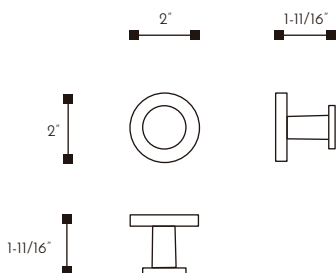
FEATURES

- Brass body
- Wall mount
- Mounting parts included

FINISH

- DAX-GDC120168-CR Chrome
- DAX-GDC120168-BN Brushed nickel

TOWEL HOLDERS



DAX-GDC120121

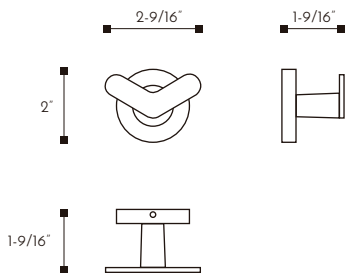
FEATURES

- Brass body
- Wall mount
- Mounting parts included

FINISH

- DAX-GDC120121-CR Chrome
- DAX-GDC120121-BN Brushed nickel

TOWEL HOLDERS



DAX-GDC120122

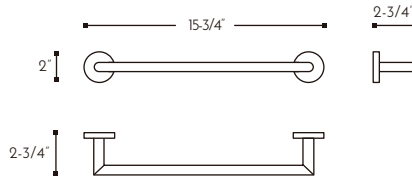
FEATURES

- Brass body
- Wall mount
- Mounting parts included

FINISH

- DAX-GDC120122-CR Chrome
- DAX-GDC120122-BN Brushed nickel

TOWEL BARS



DAX-GDC120164

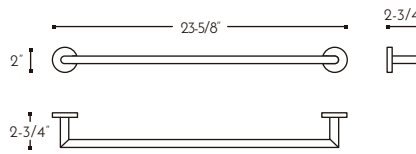
FEATURES

- Brass body
- Wall mount
- Mounting parts included

FINISH

- DAX-GDC120164-CR Chrome
- DAX-GDC120164-BN Brushed nickel

TOWEL BARS



DAX-GDC120165

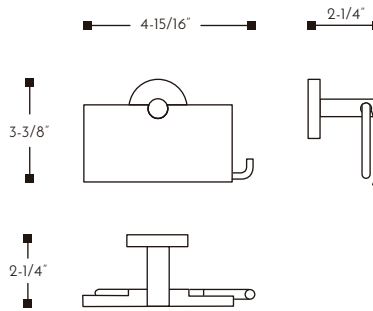
FEATURES

- Brass body
- Wall mount
- Mounting parts included

FINISH

- DAX-GDC120165-CR Chrome
- DAX-GDC120165-BN Brushed nickel

TOILET PAPER HOLDERS



DAX-GDC120159

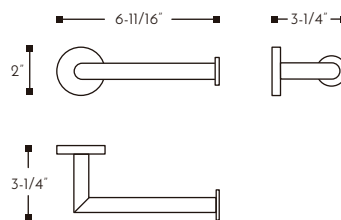
FEATURES

- Brass body
- Wall mount
- Mounting parts included

FINISH

- DAX-GDC120159-CR Chrome
- DAX-GDC120159-BN Brushed nickel

TOILET PAPER HOLDERS



DAX-GDC120156

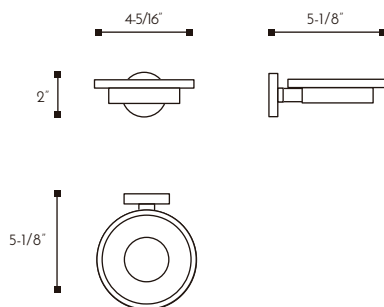
FEATURES

- Brass body
- Wall mount
- Mounting parts included

FINISH

- DAX-GDC120156-CR Chrome
- DAX-GDC120156-BN Brushed nickel

SOAP DISHES



DAX-GDC120132

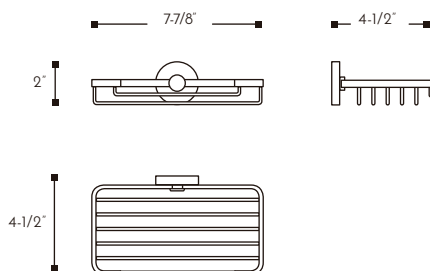
FEATURES

- Brass body
- Wall mount
- Frosted glass tray
- Mounting parts included

FINISH

- DAX-GDC120132-CR Chrome
- DAX-GDC120132-BN Brushed nickel

SOAP DISHES



DAX-GDC120130

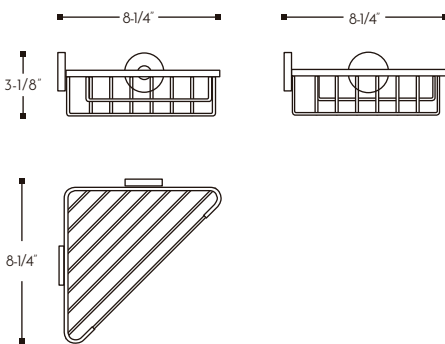
FEATURES

- Brass body
- Wall mount
- Mounting parts included

FINISH

- DAX-GDC120130-CR Chrome
- DAX-GDC120130-BN Brushed nickel

BATHROOM SHELVES



DAX-GDC120150

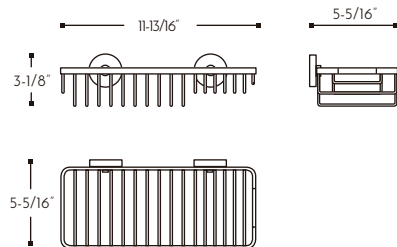
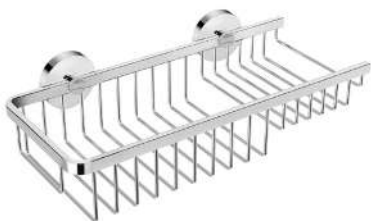
FEATURES

- Brass body
- Corner wall mount
- Mounting parts included

FINISH

- DAX-GDC120150-CR Chrome
- DAX-GDC120150-BN Brushed nickel

BATHROOM SHELVES



DAX-GDC120187

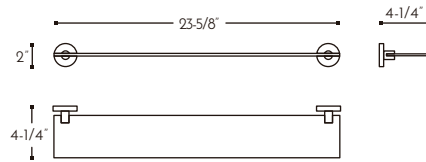
FEATURES

- Brass body
- Wall mount
- Mounting parts included

FINISH

- DAX-GDC120187-CR Chrome
- DAX-GDC120187-BN Brushed nickel

BATHROOM SHELVES



DAX-GDC120145

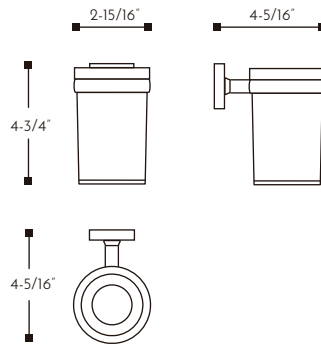
FEATURES

- Brass body
- Wall mount
- Glass shelf
- Mounting parts included

FINISH

- DAX-GDC120145-CR Chrome
- DAX-GDC120145-BN Brushed nickel

VANITY CUPS



DAX-GDC160152

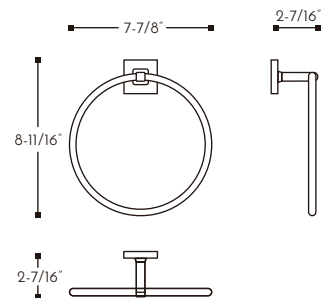
FEATURES

- Brass body
- Wall mount
- Frosted glass cup
- Mounting parts included

FINISH

- DAX-GDC160152-CR Chrome
- DAX-GDC160152-BN Brushed nickel

TOWEL RINGS



DAX-GDC160172

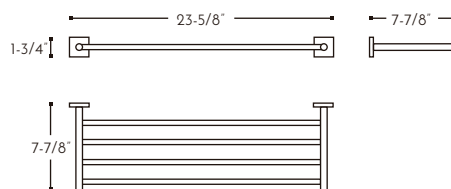
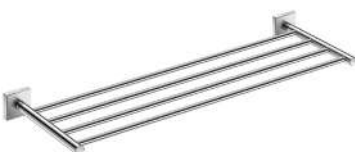
FEATURES

- Brass body
- Wall mount
- Mounting parts included

FINISH

- DAX-GDC160172-CR Chrome
- DAX-GDC160172-BN Brushed nickel

TOWEL RACKS



DAX-GDC160168

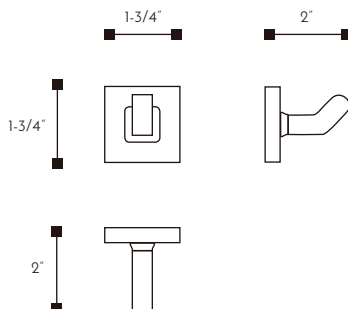
FEATURES

- Brass body
- Wall mount
- Mounting parts included

FINISH

- DAX-GDC160168-CR Chrome
- DAX-GDC160168-BN Brushed nickel

TOWEL HOLDERS



DAX-GDC160121

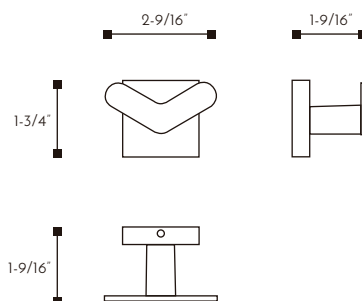
FEATURES

- Brass body
- Wall mount
- Mounting parts included

FINISH

- DAX-GDC160121-CR Chrome
- DAX-GDC160121-BN Brushed nickel

TOWEL HOLDERS



DAX-GDC160122

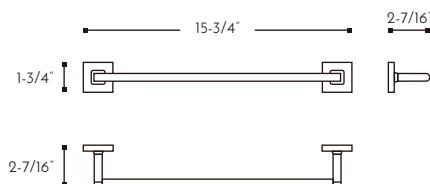
FEATURES

- Brass body
- Wall mount
- Mounting parts included

FINISH

- DAX-GDC160122-CR Chrome
- DAX-GDC160122-BN Brushed nickel

TOWEL BARS



DAX-GDC160164

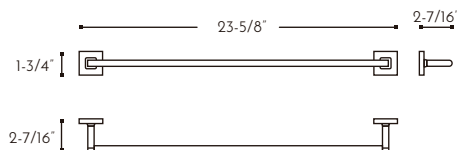
FEATURES

- Brass body
- Wall mount
- Mounting parts included

FINISH

- DAX-GDC160164-CR Chrome
- DAX-GDC160164-BN Brushed nickel

TOWEL BARS



DAX-GDC160165

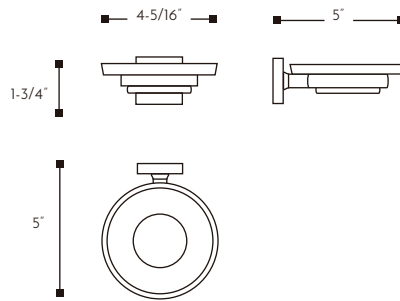
FEATURES

- Brass body
- Wall mount
- Mounting parts included

FINISH

- DAX-GDC160165-CR Chrome
- DAX-GDC160165-BN Brushed nickel

SOAP DISHES



DAX-GDC160132

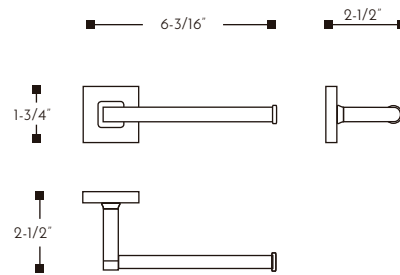
FEATURES

- Brass body
- Wall mount
- Frosted glass tray
- Mounting parts included

FINISH

- DAX-GDC160132-CR Chrome
- DAX-GDC160132-BN Brushed nickel

TOILET PAPER HOLDERS



DAX-GDC160156

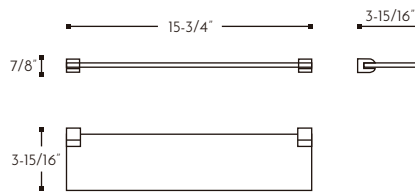
FEATURES

- Brass body
- Wall mount
- Mounting parts included

FINISH

- DAX-GDC160156-CR Chrome
- DAX-GDC160156-BN Brushed nickel

BATHROOM SHELVES



DAX-GDC160144

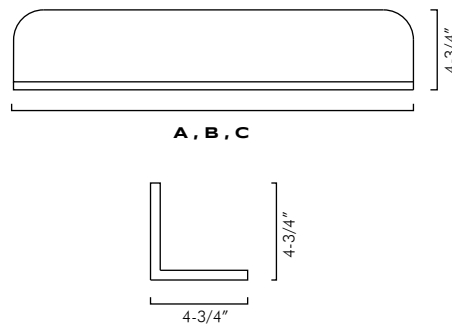
FEATURES

- Brass body
- Wall mount
- Glass shelf
- Mounting parts included

FINISH

- DAX-GDC160144-CR Chrome
- DAX-GDC160144-BN Brushed nickel

BATHROOM SHELVES



DAX-AB-1560

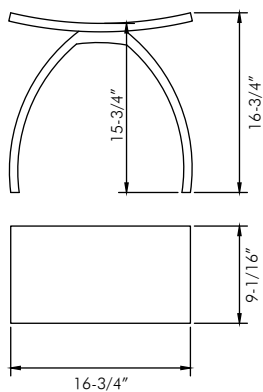
FEATURES

- Solid surface material
- Wall mount
- Hypoallergenic
- Mounting parts included
- Matte white finish

SIZES

- A** DAX-AB-1560-24 23-5/8" x 4-3/4"
- B** DAX-AB-1560-35 35-7/16" x 4-3/4"
- C** DAX-AB-1560-47 47-1/4" x 4-3/4"

SHOWER STOOLS

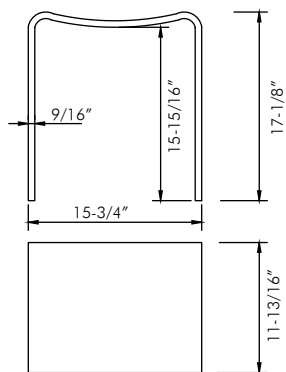


DAX-ST-01

FEATURES

- Solid surface material
- Hypoallergenic
- Matte white finish

SHOWER STOOLS

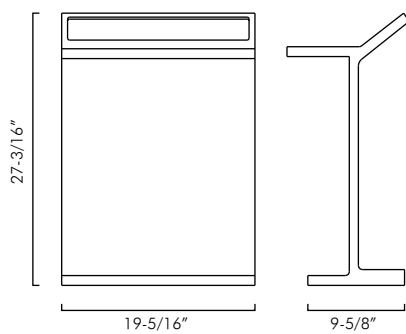


DAX-ST-02

FEATURES

- Solid surface material
- Hypoallergenic
- Matte white finish

TOWEL STANDS

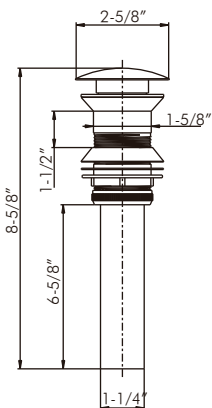


DAX-AB-7461

FEATURES

- Solid surface material
- Hypoallergenic
- Matte white finish

POP UP DRAINS



DAX-82005

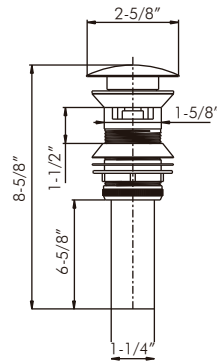
FEATURES

- Brass body
- Mounting parts included
- Without overflow

FINISH

- DAX-82005-CR Chrome
- DAX-82005-BN Brushed nickel

POP UP DRAINS



DAX-82006

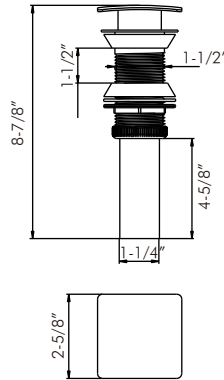
FEATURES

- Brass body
- Mounting parts included
- With overflow

FINISH

- DAX-82006-CR Chrome
- DAX-82006-BN Brushed nickel

POP UP DRAINS



DAX-82010

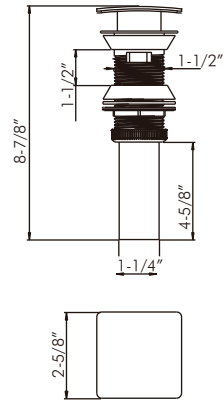
FEATURES

- Brass body
- Mounting parts included
- Without overflow

FINISH

- DAX-82010-CR Chrome
- DAX-82010-BN Brushed nickel

POP UP DRAINS



DAX-82011

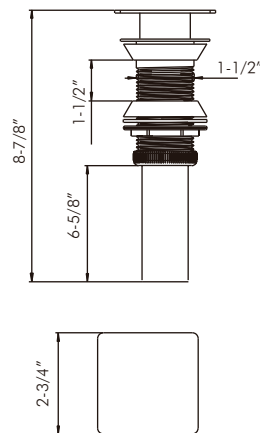
FEATURES

- Brass body
- Mounting parts included
- With overflow

FINISH

- DAX-82011-CR Chrome
- DAX-82011-BN Brushed nickel

POP UP DRAINS



DAX-82012

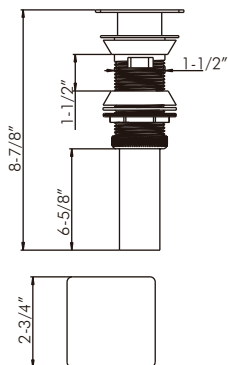
FEATURES

- Brass body
- Mounting parts included
- Without overflow

FINISH

- DAX-82012-CR Chrome
- DAX-82012-BN Brushed nickel

POP UP DRAINS



DAX-82013

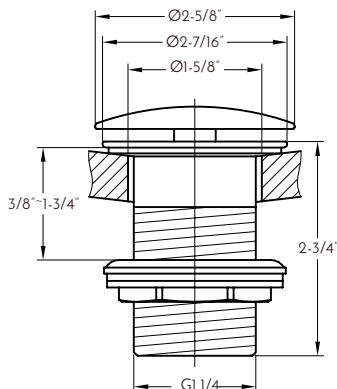
FEATURES

- Brass body
- Mounting parts included
- With overflow

FINISH

- DAX-82013-CR Chrome
- DAX-82013-BN Brushed nickel

POP UP DRAINS

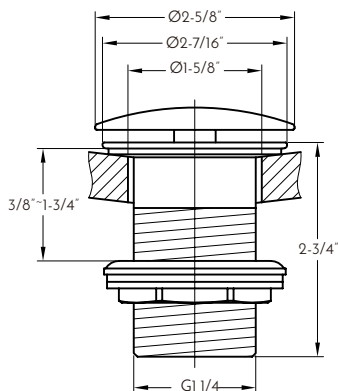


DAX-82016-ORB

FEATURES

- Brass body
- Mounting parts included
- Without overflow
- ORB finish

POP UP DRAINS

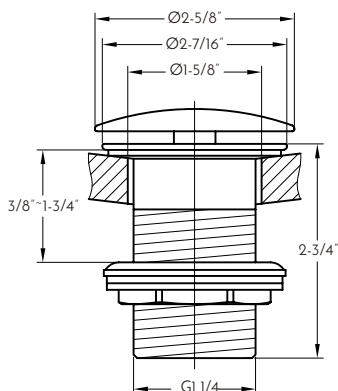


DAX-82016-PB

FEATURES

- Brass body
- Mounting parts included
- Without overflow
- Black finish

POP UP DRAINS

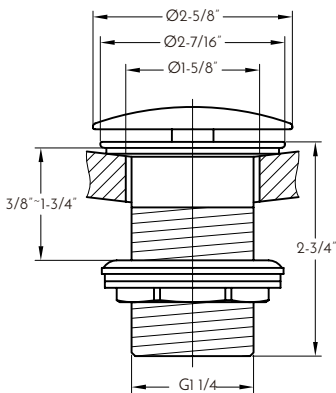


DAX-82017-ORB

FEATURES

- Brass body
- Mounting parts included
- With overflow
- ORB finish

POP UP DRAINS

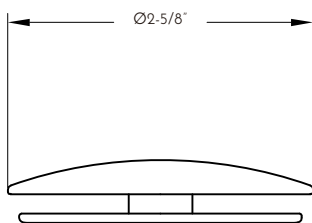


DAX-82017-PB

FEATURES

- Brass body
- Mounting parts included
- With overflow
- Black finish

POP UP DRAINS



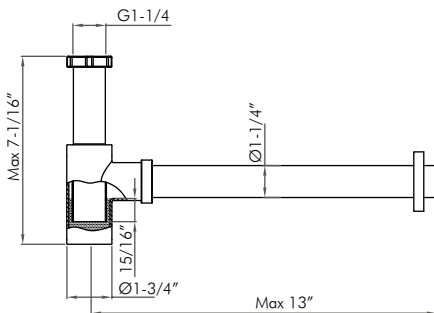
DAX-AB-82010

FEATURES

- Solid surface material
- Pop-up cover only
- Matte white finish

* To be use with any other round pop-up drain

SINK TRAPS



DAX-O10-O1

FEATURES

- 304 stainless steel body
- Brushed stainless steel finish

DAX-AB-1560-24



DAX-AB-7461



DAX-ST-01



* WARRANTY DETAILS AND SPECIFICATIONS ARE AVAILABLE IN THE DOWNLOADS SECTIONS AT DAXIB.COM



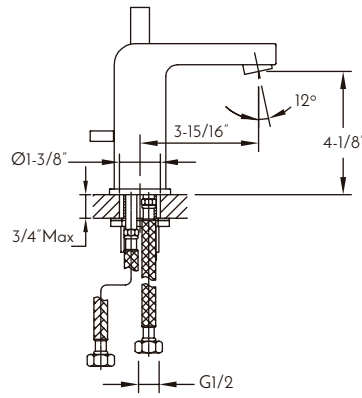


05

BATHROOM
FAUCETS SERIES



VANITY FAUCETS

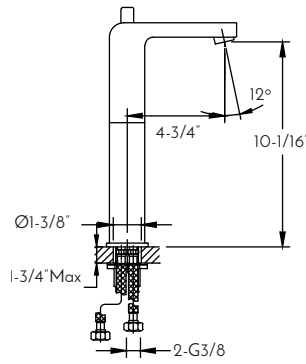


DAX-8227

FEATURES

- Single Lever
- Ceramic cartridge
- Brass body
- Flow rate 1.5 GPM
- Installation hole 1-3/8"
- Chrome finish
- Hoses and mounting parts included
- Pop up drain not included (available)

VANITY FAUCETS

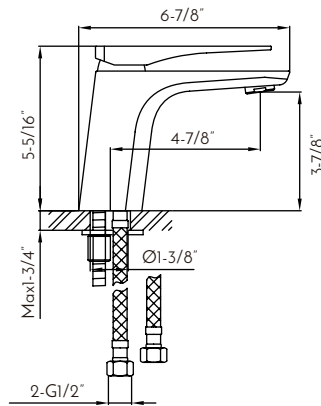


DAX-8227B

FEATURES

- Single lever
- Vessel installation
- Ceramic cartridge
- Brass body
- Flow rate 1.5 GPM
- Installation hole 1-3/8"
- Chrome finish
- Hoses and mounting parts included
- Pop up drain not included (available)

VANITY FAUCETS

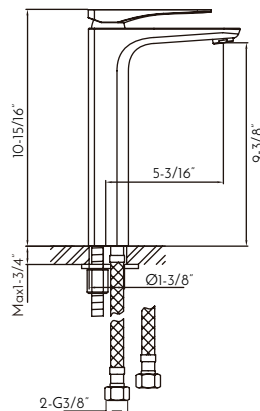


DAX-805A-CW

FEATURES

- Single lever
- Ceramic cartridge
- Brass body
- Flow rate 1.16 GPM
- Installation hole 1-3/8"
- Chrome-white finish
- Hoses and mounting parts included
- Pop up drain not included (available)

VANITY FAUCETS

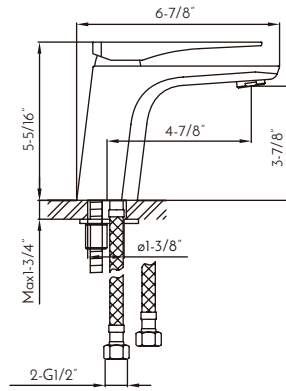


DAX-805L-CW

FEATURES

- Single lever
- Vessel installation
- Ceramic cartridge
- Brass body
- Flow rate 1.16 GPM
- Installation hole 1-3/8"
- Chrome-white finish
- Hoses and mounting parts included
- Pop up drain not included (available)

VANITY FAUCETS



DAX-805A

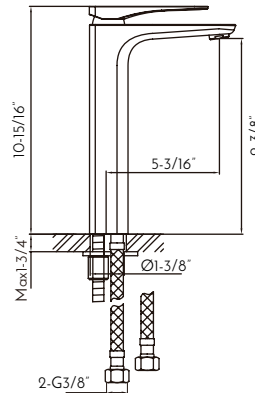
FEATURES

- Single lever
- Ceramic cartridge
- Brass body
- Flow rate 1.16 GPM
- Installation hole 1-3/8"
- Hoses and mounting parts included
- Pop up drain not included (available)

FINISH

- DAX-805A-CR Chrome
- DAX-805A-BN Brushed nickel

VANITY FAUCETS



DAX-805L

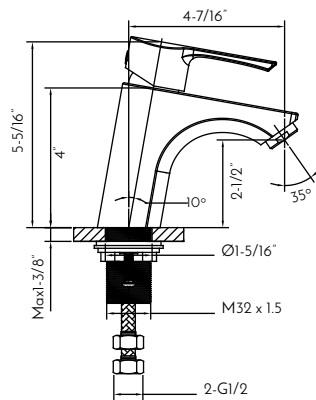
FEATURES

- Single lever
- Vessel installation
- Ceramic cartridge
- Brass body
- Flow rate 1.16 GPM
- Installation hole 1-3/8"
- Hoses and mounting parts included
- Pop up drain not included (available)

FINISH

- DAX-805L-CR Chrome
- DAX-805L-BN Brushed nickel

VANITY FAUCETS

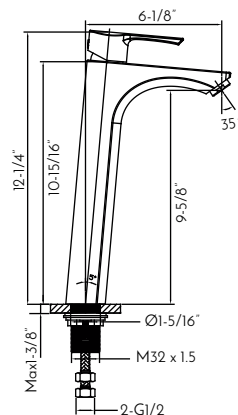


DAX-1097-CR

FEATURES

- Single lever
- Ceramic cartridge
- Brass body
- Flow rate 3.2 GPM
- Installation hole 1-3/8"
- Chrome finish
- Hoses and mounting parts included
- Pop up drain not included (available)

VANITY FAUCETS

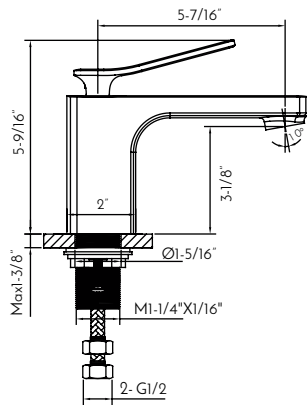


DAX-1297-CR

FEATURES

- Single lever
- Vessel installation
- Ceramic cartridge
- Brass body
- Flow rate 3.2 GPM
- Installation hole 1-3/8"
- Chrome finish
- Hoses and mounting parts included
- Pop up drain not included (available)

VANITY FAUCETS



DAX-1095

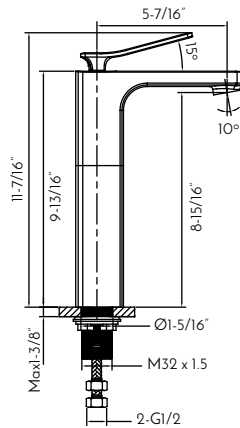
FEATURES

- Single lever
- Ceramic cartridge
- Brass body
- Flow rate 3.2 GPM
- Installation hole 1-3/8"
- Hoses and mounting parts included
- Pop up drain not included (available)

FINISH

- DAX-1095-CR Chrome
- DAX-1095-BN Brushed nickel

VANITY FAUCETS



DAX-1295

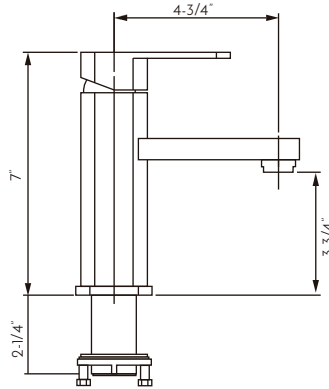
FEATURES

- Single lever
- Vessel installation
- Ceramic cartridge
- Brass body
- Flow rate 3.2 GPM
- Installation hole 1-3/8"
- Hoses and mounting parts included
- Pop up drain not included (available)

FINISH

- DAX-1295-CR Chrome
- DAX-1295-BN Brushed nickel

VANITY FAUCETS



DAX-6941A

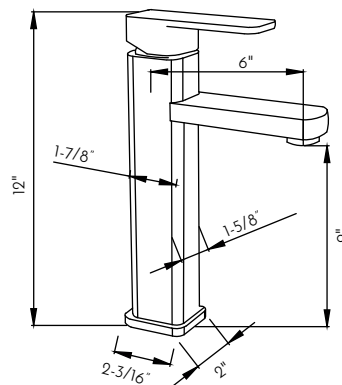
FEATURES

- Single lever
- Ceramic cartridge
- Brass Body
- Flow rate 2.2 GPM
- Installation hole 1-3/8"
- Hoses and mounting parts included
- Pop up drain not included (available)

FINISH

- DAX-6941A-CR Chrome
- DAX-6941A-BN Brushed nickel

VANITY FAUCETS



DAX-6941B

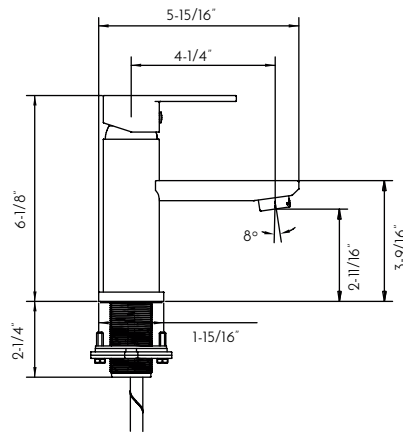
FEATURES

- Single lever
- Vessel installation
- Ceramic cartridge
- Brass body
- Flow rate 2.2 GPM
- Installation hole 1-3/8"
- Hoses and mounting parts included
- Pop up drain not included (available)

FINISH

- DAX-6941B-CR Chrome
- DAX-6941B-BN Brushed nickel

VANITY FAUCETS



DAX-8510

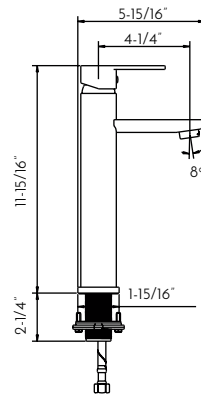
FEATURES

- Single lever
- Ceramic cartridge
- Brass body
- Flow rate 2 GPM
- Installation hole 1-3/8"
- Hoses and mounting parts included
- Pop up drain not included (available)

FINISH

- DAX-8510-CR Chrome
- DAX-8510-BN Brushed nickel

VANITY FAUCETS



DAX-8510B

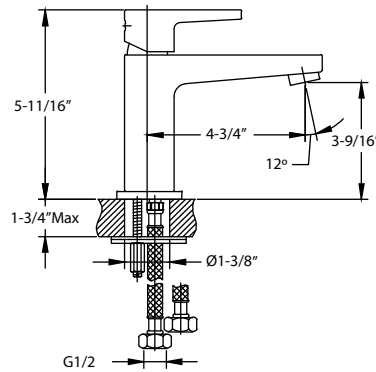
FEATURES

- Single lever
- Vessel installation
- Ceramic cartridge
- Brass body
- Flow rate 2 GPM
- Installation hole 1-3/8"
- Hoses and mounting parts included
- Pop up drain not included (available)

FINISH

- DAX-8510B-CR Chrome
- DAX-8510B-BN Brushed nickel

VANITY FAUCETS

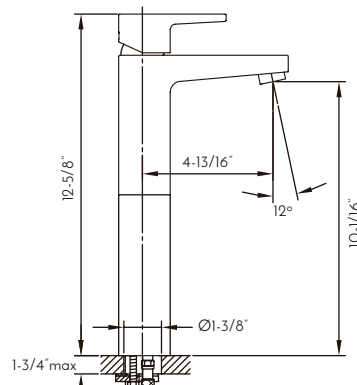


DAX-8209

FEATURES

- Single lever
- Ceramic cartridge
- Brass body
- Flow rate 1.2 GPM
- Installation hole 1-3/8"
- Chrome finish
- Hoses and mounting parts included
- Pop up drain not included (available)

VANITY FAUCETS

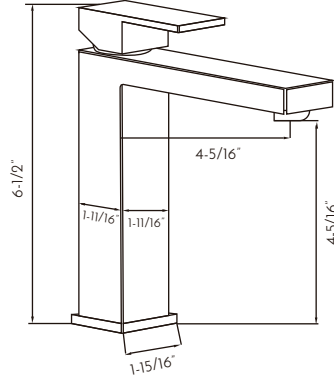


DAX-8269B

FEATURES

- Single lever
- Vessel installation
- Ceramic cartridge
- Brass body
- Flow rate 1.2 GPM
- Installation hole 1-3/8"
- Chrome finish
- Hoses and mounting parts included
- Pop up drain not included (available)

VANITY FAUCETS



DAX-6951A

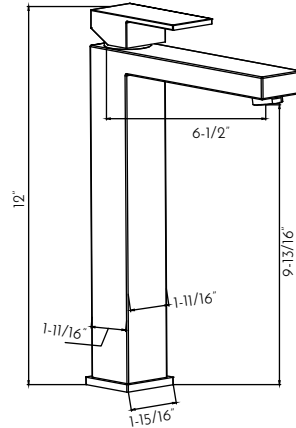
FEATURES

- Single lever
- Ceramic cartridge
- Brass body
- Flow rate 2.2 GPM
- Installation hole 1-3/8"
- Hoses and mounting parts included
- Pop up drain not included (available)

FINISH

- DAX-6951A-CR Chrome
- DAX-6951A-BN Brushed nickel

VANITY FAUCETS



DAX-6951B

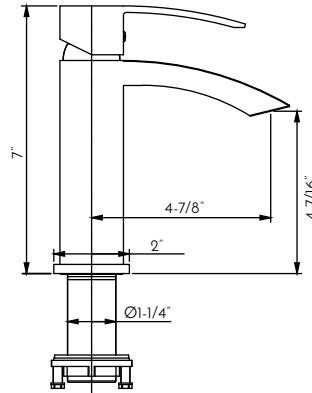
FEATURES

- Single lever
- Vessel installation
- Ceramic cartridge
- Brass body
- Flow rate 2.2 GPM
- Installation hole 1-3/8"
- Hoses and mounting parts included
- Pop up drain not included (available)

FINISH

- DAX-6951B-CR Chrome
- DAX-6951B-BN Brushed nickel

VANITY FAUCETS



DAX-6690A

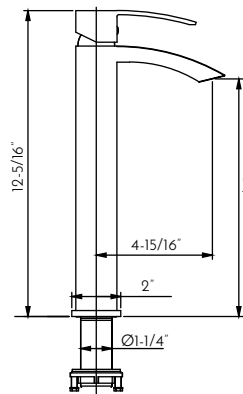
FEATURES

- Single lever
- Ceramic cartridge
- Brass body
- Flow rate 2.2 GPM
- Installation hole 1-3/8"
- Hoses and mounting parts included
- Pop up drain not included (available)

FINISH

- DAX-6690A-CR Chrome
- DAX-6690A-BN Brushed nickel

VANITY FAUCETS



DAX-6690B

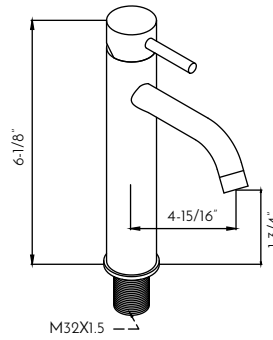
FEATURES

- Single lever
- Vessel installation
- Ceramic cartridge
- Brass body
- Flow rate 2.2 GPM
- Installation hole 1-3/8"
- Hoses and mounting parts included
- Pop up drain not included (available)

FINISH

- DAX-6690B-CR Chrome
- DAX-6690B-BN Brushed nickel

VANITY FAUCETS



DAX-119

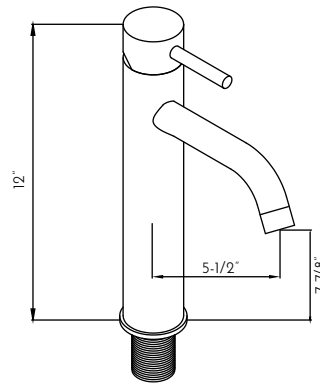
FEATURES

- Single lever
- Ceramic cartridge
- Brass body
- Installation hole 1-3/8"
- Hoses and mounting parts included
- Pop up drain not included (available)

FINISH

- DAX-119-CR Chrome
- DAX-119-BN Brushed nickel

VANITY FAUCETS



DAX-119A1

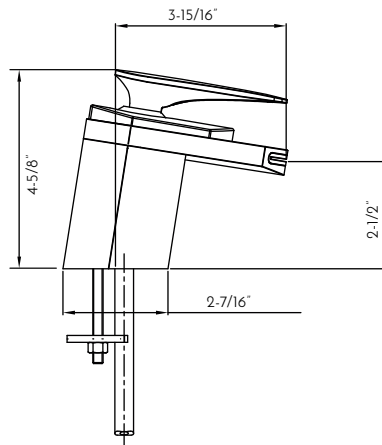
FEATURES

- Single lever
- Vessel installation
- Ceramic cartridge
- Brass body
- Installation hole 1-3/8"
- Hoses and mounting parts included
- Pop up drain not included (available)

FINISH

- DAX-119A1-CR Chrome
- DAX-119A1-BN Brushed nickel

VANITY FAUCETS



DAX-6607

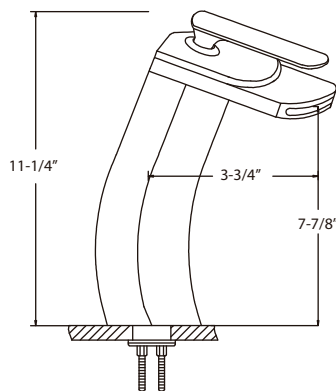
FEATURES

- Single lever
- Ceramic cartridge
- Brass body
- Flow rate 2.2 GPM
- Installation hole 1-3/8"
- Hoses and mounting parts included
- Pop up drain not included (available)

FINISH

- DAX-6607-CR Chrome
- DAX-6607-BN Brushed nickel

VANITY FAUCETS



DAX-6606

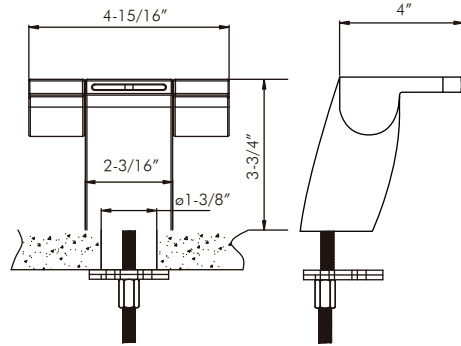
FEATURES

- Single lever
- Vessel installation
- Ceramic cartridge
- Brass body
- Flow rate 2.2 GPM
- Installation hole 1-3/8"
- Hoses and mounting parts included
- Pop up drain not included (available)

FINISH

- DAX-6606-CR Chrome
- DAX-6606-BN Brushed nickel

VANITY FAUCETS

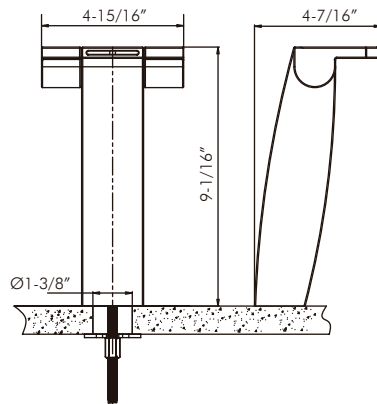


DAX-O121

FEATURES

- Single lever
- Ceramic cartridge
- Brass body
- Flow rate 1.5 GPM
- Installation hole 1-3/8"
- Chrome finish
- Hoses and mounting parts included
- Pop up drain not included (available)

VANITY FAUCETS

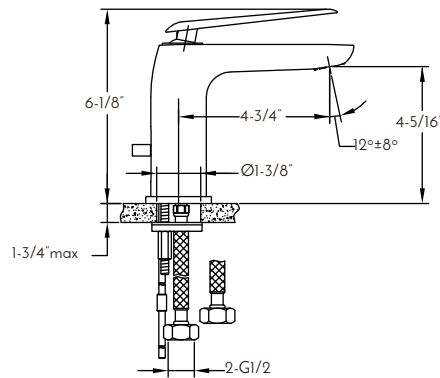


DAX-O271

FEATURES

- Single lever
- Vessel installation
- Ceramic cartridge
- Brass body
- Flow rate 1.5 GPM
- Installation hole 1-3/8"
- Chrome finish
- Hoses and mounting parts included
- Pop up drain not included (available)

VANITY FAUCETS

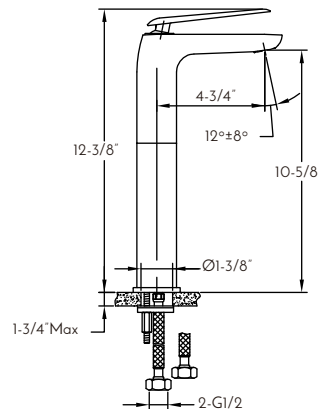


DAX-8206

FEATURES

- Single lever
- Ceramic cartridge
- Brass body
- Flow rate 1.2 GPM
- Installation hole 1-3/8"
- Chrome finish
- Hoses and mounting parts included
- Pop up drain not included (available)

VANITY FAUCETS

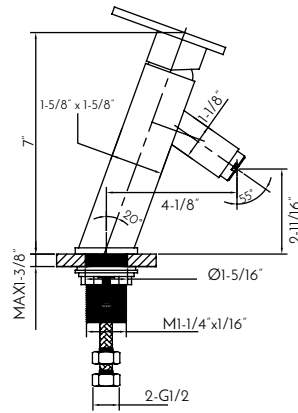


DAX-8206B

FEATURES

- Single lever
- Vessel installation
- Ceramic cartridge
- Brass body
- Flow rate 1.2 GPM
- Installation hole 1-3/8"
- Chrome finish
- Hoses and mounting parts included
- Pop up drain not included (available)

VANITY FAUCETS



DAX-1082

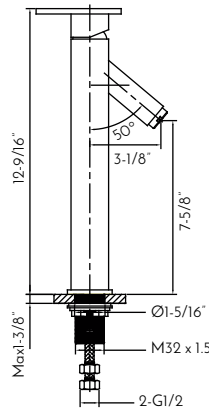
FEATURES

- Single lever
- Ceramic cartridge
- Brass body
- Flow rate 3.2 GPM
- Installation hole 1-3/8"
- Hoses and mounting parts included
- Pop up drain not included (available)

FINISH

- DAX-1082-CR Chrome
- DAX-1082-BN Brushed nickel

VANITY FAUCETS



DAX-1282

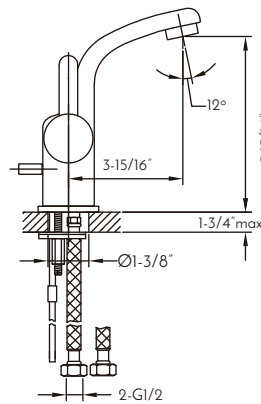
FEATURES

- Single Lever
- Vessel installation
- Ceramic cartridge
- Brass body
- Flow rate 3.2 GPM
- Installation hole 1-3/8"
- Hoses and mounting parts included
- Pop up drain not included (available)

FINISH

- DAX-1282-CR Chrome
- DAX-1282-BN Brushed nickel

VANITY FAUCETS

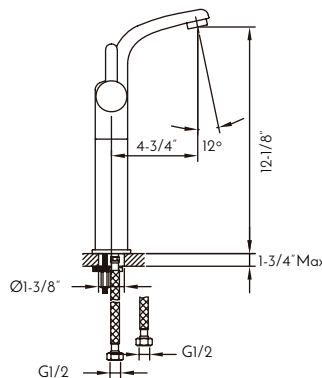


DAX-8260-CR

FEATURES

- Single Lever
- Ceramic cartridge
- Brass body
- Flow rate 1.2 GPM
- Installation hole 1-3/8"
- Chrome finish
- Hoses and mounting parts included
- Pop up drain not included (available)

VANITY FAUCETS

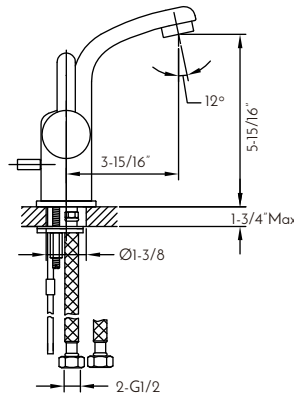


DAX-8220B-CR

FEATURES

- Single Lever
- Vessel installation
- Ceramic cartridge
- Brass body
- Flow rate 1.2 GPM
- Installation hole 1-3/8"
- Chrome finish
- Hoses and mounting parts included
- Pop up drain not included (available)

VANITY FAUCETS

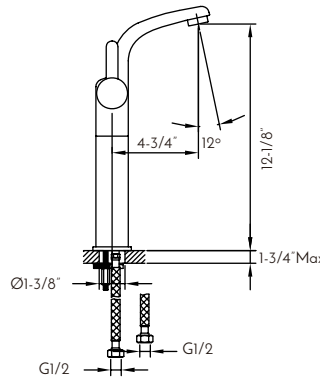


DAX-8260-PB

FEATURES

- Single Lever
- Ceramic cartridge
- Brass body
- Flow rate 1.2 GPM
- Installation hole 1-3/8"
- Matte black finish
- Hoses and mounting parts included
- Pop up drain not included (available)

VANITY FAUCETS

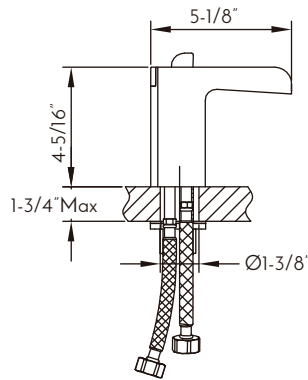


DAX-8220B-PB

FEATURES

- Single Lever
- Vessel installation
- Ceramic cartridge
- Brass body
- Flow rate 1.2 GPM
- Installation hole 1-3/8"
- Matte black finish
- Hoses and mounting parts included
- Pop up drain not included (available)

VANITY FAUCETS

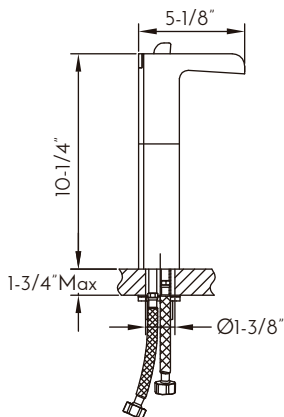


DAX-9825

FEATURES

- Single Lever
- Ceramic cartridge
- Brass body
- Flow rate 1.2 GPM
- Installation hole 1-3/8"
- Chrome finish
- Hoses and mounting parts included
- Pop up drain included

VANITY FAUCETS

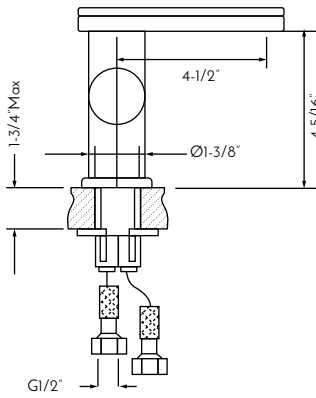


DAX-9825B

FEATURES

- Single Lever
- Vessel installation
- Ceramic cartridge
- Brass body
- Flow rate 1.2 GPM
- Installation hole 1-3/8"
- Chrome finish
- Hoses and mounting parts included
- Pop up drain included

VANITY FAUCETS

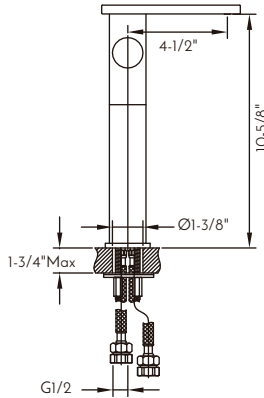


DAX-9888

FEATURES

- Single Lever
- Ceramic cartridge
- Brass body
- Flow rate 1.2 GPM
- Installation hole 1-3/8"
- Chrome finish
- Hoses and mounting parts included
- Pop up drain not included (available)

VANITY FAUCETS

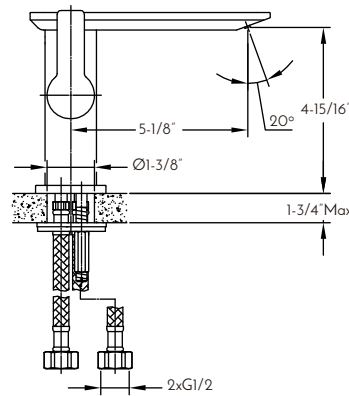


DAX-9888B

FEATURES

- Single Lever
- Vessel installation
- Ceramic cartridge
- Brass body
- Flow rate 1.2 GPM
- Installation hole 1-3/8"
- Chrome finish
- Hoses and mounting parts included
- Pop up drain not included (available)

VANITY FAUCETS



DAX-8205

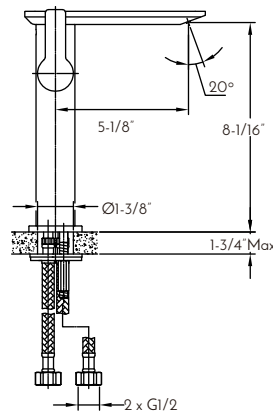
FEATURES

- Single Lever
- Ceramic cartridge
- Brass body
- Installation hole 1-3/8"
- Hoses and mounting parts included
- Pop up drain not included (available)

FINISH

- DAX-8205-CR Chrome
- DAX-8205-BN Brushed nickel

VANITY FAUCETS



DAX-8205A

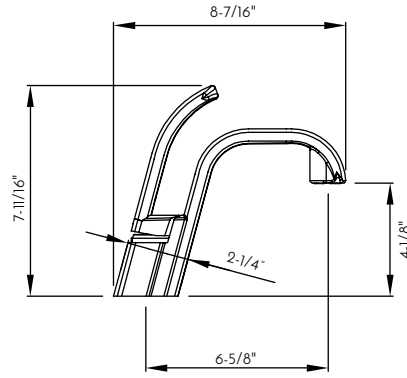
FEATURES

- Single Lever
- Vessel installation
- Ceramic cartridge
- Brass body
- Installation hole 1-3/8"
- Hoses and mounting parts included
- Pop up drain not included (available)

FINISH

- DAX-8205A-CR Chrome
- DAX-8205A-BN Brushed nickel

VANITY FAUCETS

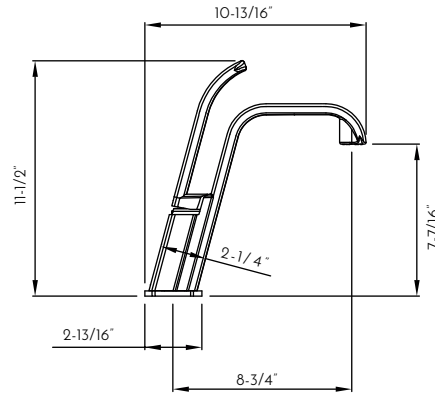


DAX-CO11-02

FEATURES

- Single Lever
- Ceramic cartridge
- Stainless steel body
- Flow rate 1.5 GPM
- Installation hole 1-3/8"
- Brushed Stainless Steel finish
- Hoses and mounting parts included
- Pop up drain not included (available)

VANITY FAUCETS

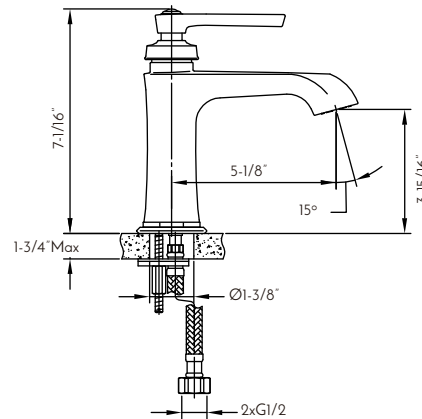


DAX-CO11-01

FEATURES

- Single Lever
- Vessel installation
- Ceramic cartridge
- Stainless steel body
- Flow rate 1.5 GPM
- Installation hole 1-3/8"
- Brushed Stainless Steel finish
- Hoses and mounting parts included
- Pop up drain not included (available)

VANITY FAUCETS

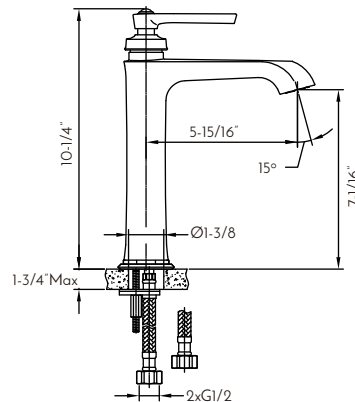


DAX-9809-ORB

FEATURES

- Single Lever
- Ceramic cartridge
- Brass body
- Installation hole 1-3/8"
- ORB finish
- Hoses and mounting parts included
- Pop up drain not included (available)

VANITY FAUCETS

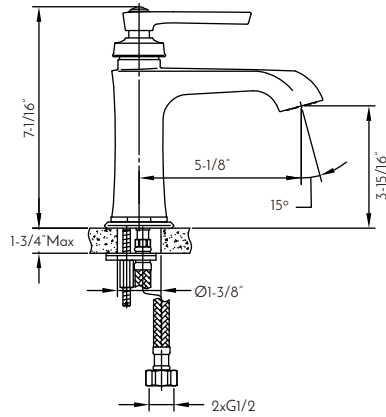


DAX-9809A-ORB

FEATURES

- Single Lever
- Vessel installation
- Ceramic cartridge
- Brass body
- Installation hole 1-3/8"
- ORB finish
- Hoses and mounting parts included
- Pop up drain not included (available)

VANITY FAUCETS

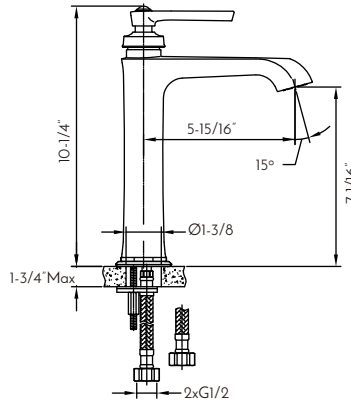


DAX-9809-CR

FEATURES

- Single Lever
- Ceramic cartridge
- Brass body
- Installation hole 1-3/8"
- Chrome finish
- Hoses and mounting parts included
- Pop up drain not included (available)

VANITY FAUCETS

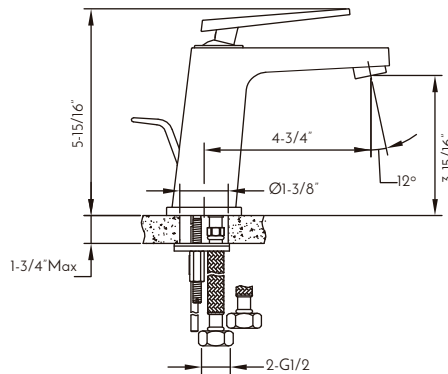


DAX-9809A-CR

FEATURES

- Single Lever
- Vessel installation
- Ceramic cartridge
- Brass body
- Installation hole 1-3/8"
- Chrome finish
- Hoses and mounting parts included
- Pop up drain not included (available)

VANITY FAUCETS

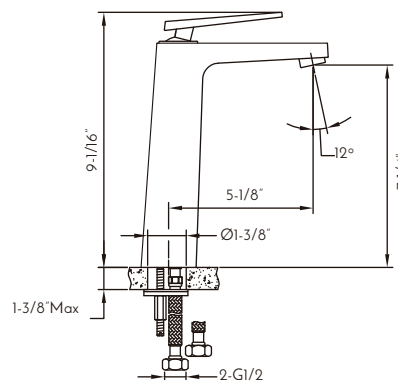


DAX-9802

FEATURES

- Single Lever
- Ceramic cartridge
- Brass body
- Flow rate 1.2 GPM
- Installation hole 1-3/8"
- Chrome finish
- Hoses and mounting parts included
- Pop up drain not included (available)

VANITY FAUCETS

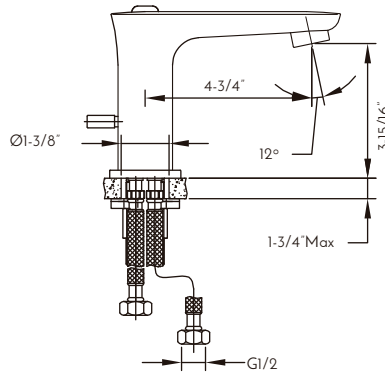


DAX-9802A

FEATURES

- Single Lever
- Vessel installation
- Ceramic cartridge
- Brass body
- Flow rate 1.2 GPM
- Installation hole 1-3/8"
- Chrome finish
- Hoses and mounting parts included
- Pop up drain not included (available)

VANITY FAUCETS

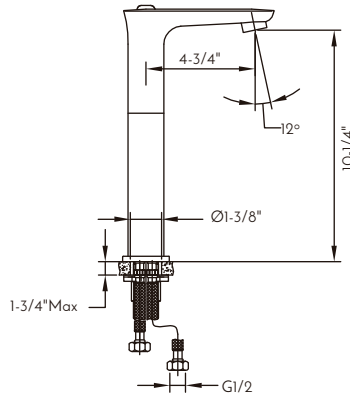


DAX-9883

FEATURES

- Single Lever
- Ceramic cartridge
- Brass body
- Flow rate 1.2 GPM
- Installation hole 1-3/8"
- Chrome finish
- Hoses and mounting parts included
- Pop up drain not included (available)

VANITY FAUCETS

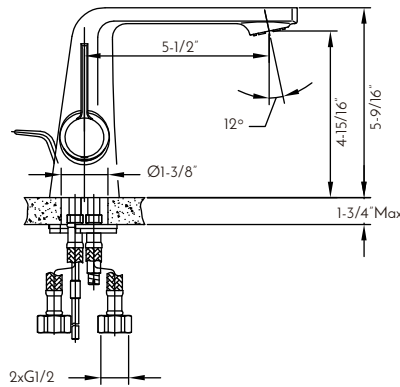


DAX-9883B

FEATURES

- Single Lever
- Vessel installation
- Ceramic cartridge
- Brass body
- Flow rate 1.2 GPM
- Installation hole 1-3/8"
- Chrome finish
- Hoses and mounting parts included
- Pop up drain not included (available)

VANITY FAUCETS



DAX-8226

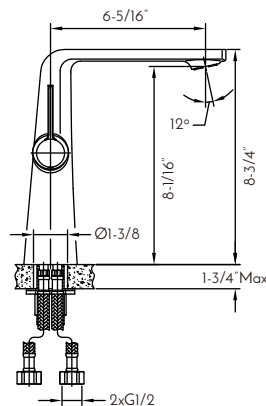
FEATURES

- Single Lever
- Ceramic cartridge
- Brass body
- Installation hole 1-3/8"
- Hoses and mounting parts included
- Pop up drain not included (available)

FINISH

- DAX-8226-CR Chrome
- DAX-8226-BN Brushed nickel

VANITY FAUCETS



DAX-8226A

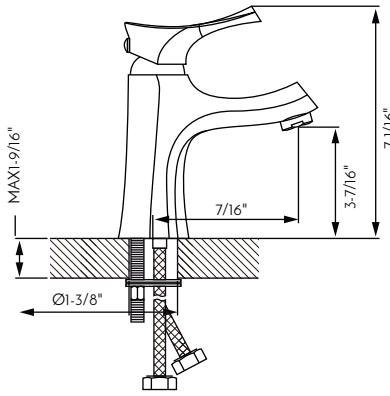
FEATURES

- Single Lever
- Vessel installation
- Ceramic cartridge
- Brass body
- Installation hole 1-3/8"
- Hoses and mounting parts included
- Pop up drain not included (available)

FINISH

- DAX-8226A-CR Chrome
- DAX-8226A-BN Brushed nickel

VANITY FAUCETS



DAX-1601

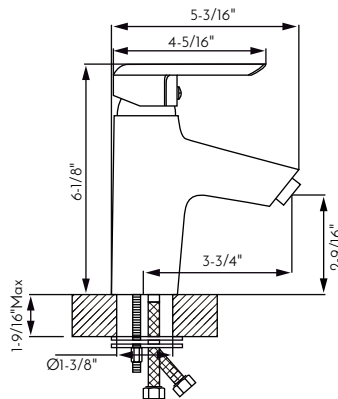
FEATURES

- Single Lever
- Ceramic cartridge
- Brass body
- Flow rate 1.5 GPM
- Installation hole 1-3/8"
- Hoses and mounting parts included
- Pop up drain not included (available)

FINISH

- DAX-1601-CR Chrome
- DAX-1601-BN Brushed nickel

VANITY FAUCETS



DAX-9201

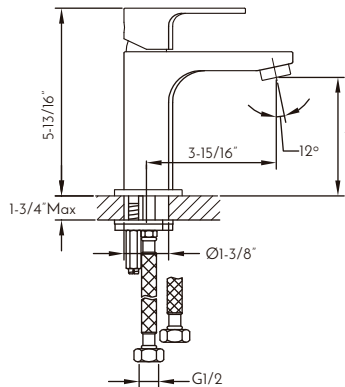
FEATURES

- Single Lever
- Ceramic cartridge
- Brass body
- Installation hole 1-3/8"
- Hoses and mounting parts included
- Pop up drain not included (available)

FINISH

- DAX-9201-CR Chrome
- DAX-9201-BN Brushed nickel

VANITY FAUCETS

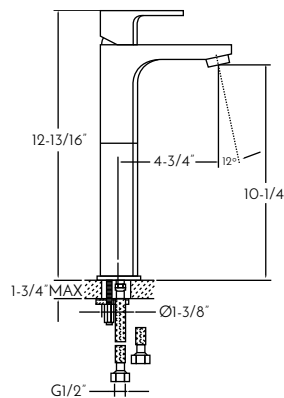


DAX-9829

FEATURES

- Single Lever
- Ceramic cartridge
- Brass body
- Flow rate 1.2 GPM
- Installation hole 1-3/8"
- Chrome finish
- Hoses and mounting parts included
- Pop up drain not included (available)

VANITY FAUCETS

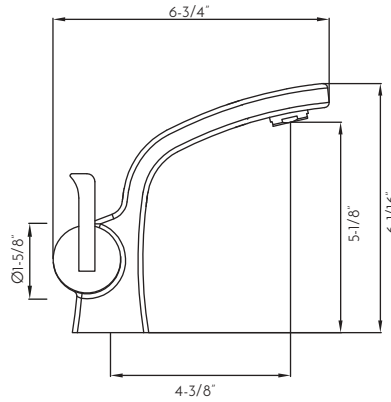


DAX-9889B

FEATURES

- Single Lever
- Vessel installation
- Ceramic cartridge
- Brass body
- Flow rate 1.2 GPM
- Installation hole 1-3/8"
- Chrome finish
- Hoses and mounting parts included
- Pop up drain not included (available)

VANITY FAUCETS

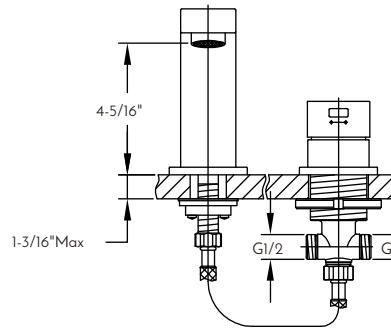


DAX-010-05

FEATURES

- Single Lever
- Ceramic cartridge
- Stainless steel body
- Flow rate 1.5 GPM
- Installation hole 1-3/8"
- Brushed Stainless Steel finish
- Hoses and mounting parts included
- Pop up drain not included (available)

VANITY FAUCETS

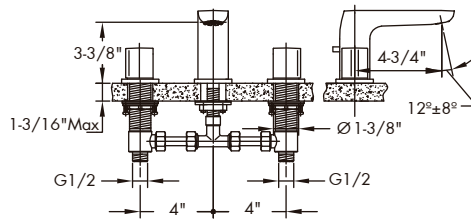


DAX-8127

FEATURES

- Single Lever
- Ceramic cartridge
- Brass body
- Flow rate 1.2 GPM
- Installation hole 1-3/8"
- Chrome finish
- Hoses and mounting parts included
- Pop up drain not included (available)

VANITY FAUCETS

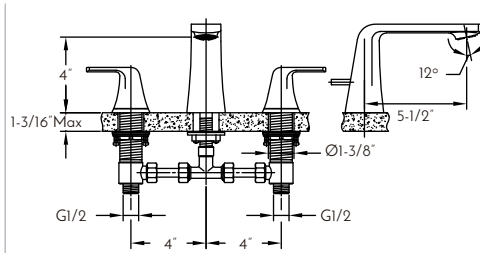


DAX-8216C

FEATURES

- Two Handles
- Ceramic cartridge
- Brass body
- Flow rate 1.2 GPM
- Installation hole 1-3/8"
- Chrome finish
- Hoses and mounting parts included
- Pop up drain not included (available)

VANITY FAUCETS



DAX-8236C

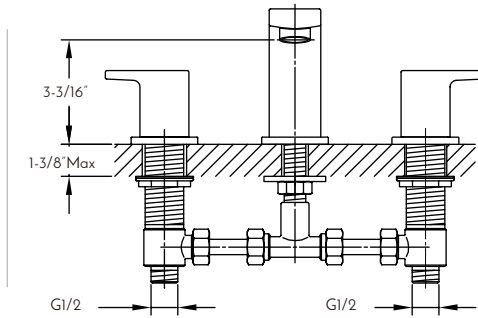
FEATURES

- Two Handles
- Ceramic cartridge
- Brass body
- Installation hole 1-3/8"
- Hoses and mounting parts included
- Pop up drain not included (available)

FINISH

- DAX-8236C-CR Chrome
- DAX-8236C-BN Brushed nickel

VANITY FAUCETS

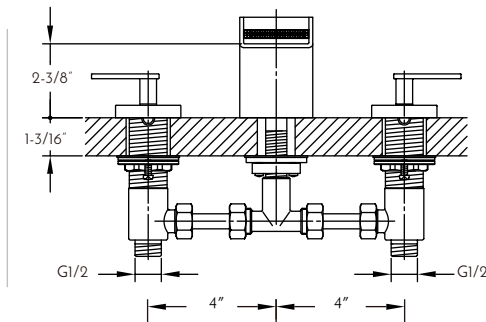


DAX-8239C

FEATURES

- Two Handles
- Ceramic cartridge
- Brass body
- Flow rate 1.2 GPM
- Installation hole 1-3/8"
- Chrome finish
- Hoses and mounting parts included
- Pop up drain not included (available)

VANITY FAUCETS

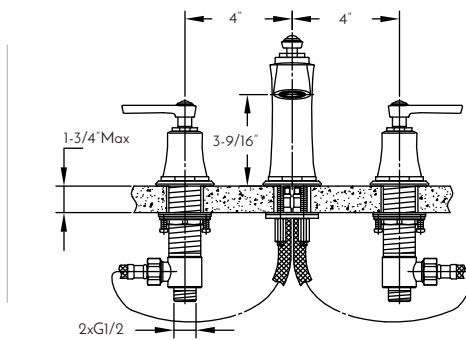


DAX-8255C

FEATURES

- Two Handles
- Ceramic cartridge
- Brass body
- Flow rate 1.2 GPM
- Installation hole 1-3/8"
- Chrome finish
- Hoses and mounting parts included
- Pop up drain not included (available)

VANITY FAUCETS

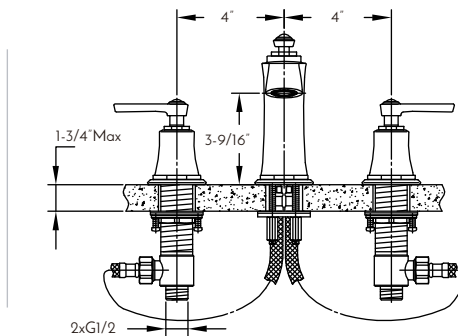


DAX-8259AC-CR

FEATURES

- Two Handles
- Ceramic cartridge
- Brass body
- Flow rate 2.1 GPM
- Installation hole 1-3/8"
- Chrome finish
- Hoses and mounting parts included
- Pop up drain not included (available)

VANITY FAUCETS

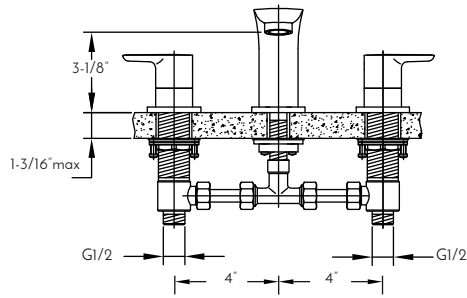


DAX-8259AC-ORB

FEATURES

- Two Handles
- Ceramic cartridge
- Brass body
- Flow rate 2.1 GPM
- Installation hole 1-3/8"
- ORB finish
- Hoses and mounting parts included
- Pop up drain not included (available)

VANITY FAUCETS

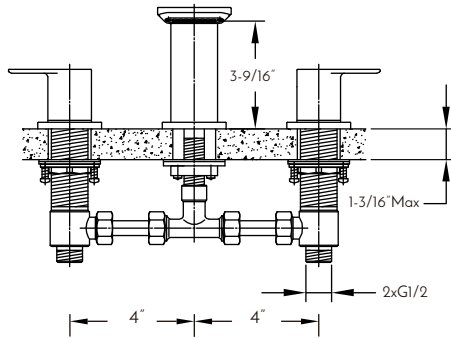


DAX-8273C

FEATURES

- Two Handles
- Ceramic cartridge
- Brass body
- Flow rate 1.2 GPM
- Installation hole 1-3/8"
- Chrome finish
- Hoses and mounting parts included
- Pop up drain not included (available)

VANITY FAUCETS



DAX-8275C

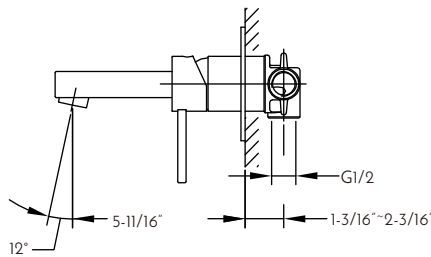
FEATURES

- Two Handles
- Ceramic cartridge
- Brass body
- Flow rate 1 GPM
- Installation hole 1-3/8"
- Hoses and mounting parts included
- Pop up drain not included (available)

FINISH

- DAX-8275C-CR Chrome
- DAX-8275C-BN Brushed nickel

VANITY FAUCETS

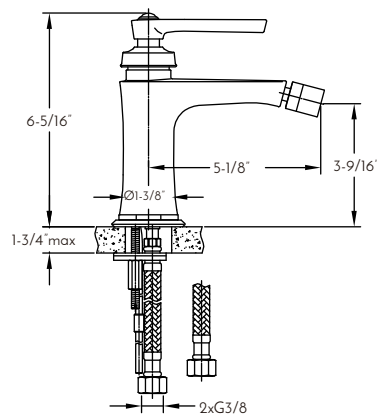


DAX-8287

FEATURES

- Single Lever
- Wall mount
- Ceramic cartridge
- Brass body
- Chrome finish
- Hoses and mounting parts included
- Pop up drain not included (available)

BIDET FAUCETS

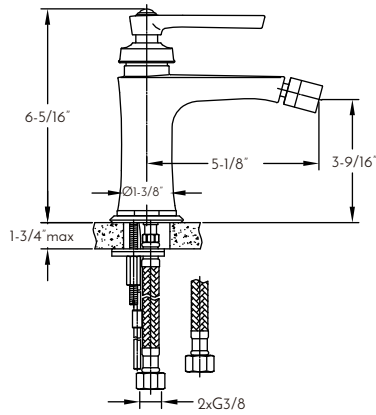


DAX-8509-CR

FEATURES

- Single Lever
- Swiveling spout
- Ceramic cartridge
- Brass body
- Installation hole 1-3/8"
- Chrome finish
- Hoses and mounting parts included
- Pop up drain not included (available)

BIDET FAUCETS

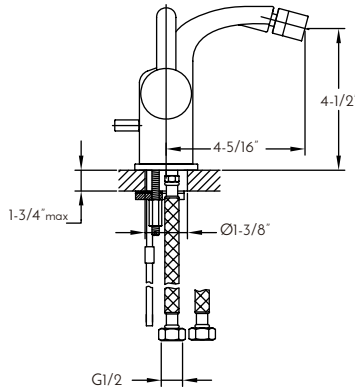


DAX-8509-ORB

FEATURES

- Single Lever
- Swiveling spout
- Ceramic cartridge
- Brass body
- Installation hole 1-3/8"
- ORB finish
- Hoses and mounting parts included
- Pop up drain not included (available)

BIDET FAUCETS

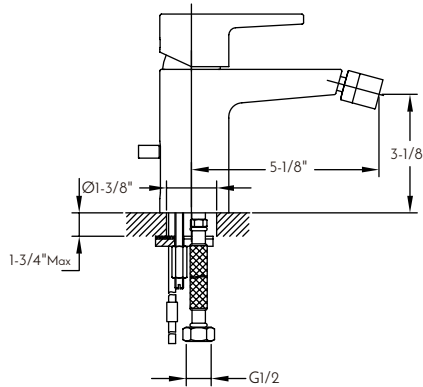


DAX-8560-PB

FEATURES

- Single Lever
- Swiveling spout
- Ceramic cartridge
- Brass body
- Installation hole 1-3/8"
- Matte black finish
- Hoses and mounting parts included
- Pop up drain not included (available)

BIDET FAUCETS

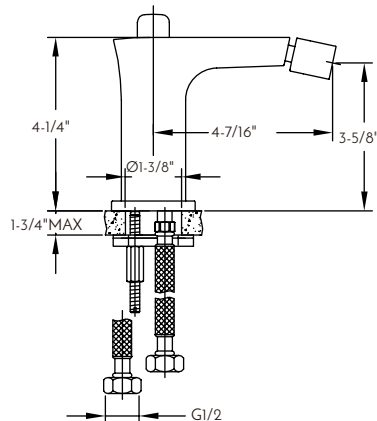


DAX-8569-CR

FEATURES

- Single Lever
- Swiveling spout
- Ceramic cartridge
- Brass body
- Flow rate 1.2 GPM
- Installation hole 1-3/8"
- Chrome finish
- Hoses and mounting parts included
- Pop up drain not included (available)

BIDET FAUCETS

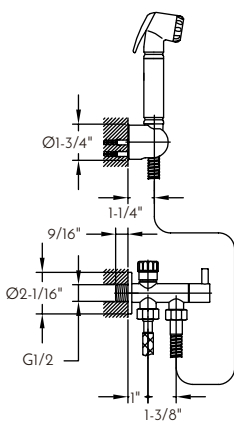


DAX-8583-CR

FEATURES

- Single Lever
- Swiveling spout
- Ceramic cartridge
- Brass body
- Flow rate 1.2 GPM
- Installation hole 1-3/8"
- Chrome finish
- Hoses and mounting parts included
- Pop up drain not included (available)

BIDET FAUCETS



DAX-9317C

FEATURES

- Single Lever
- Wall mount
- Ceramic cartridge
- Brass body
- Installation hole 1-3/8"
- Chrome finish
- ABS Shower holder
- Hoses and mounting parts included
- Pop up drain not included (available)

DAX-0074



DAX-1282-CR



DAX-1295-BN



DAX-119A1-BN



DAX-1095-CR



DAX-805L-CW



DAX-6690A-BN



DAX-8227B



DAX-8260-CR



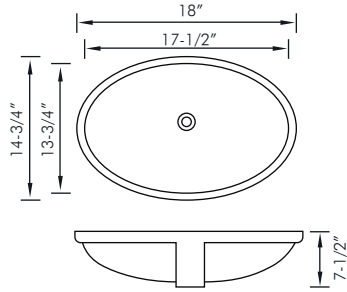
* WARRANTY DETAILS AND SPECIFICATIONS ARE AVAILABLE IN THE DOWNLOADS SECTIONS AT DAXIB.COM



06 BATHROOM SINKS
SERIES



CERAMIC UNDERMOUNT SINKS

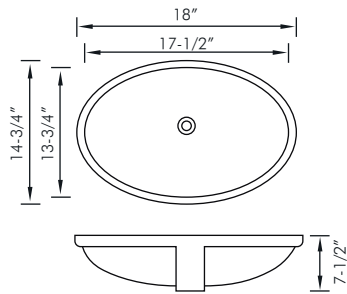


BSN-205B-I

FEATURES

- Ceramic material
- Ivory gloss finish
- Overflow
- Overflow chrome ring included
- Pop up drain not included (available)
- Undermount installation
- Size W 18" x H 14-3/4" x D 7-1/2"

CERAMIC UNDERMOUNT SINKS

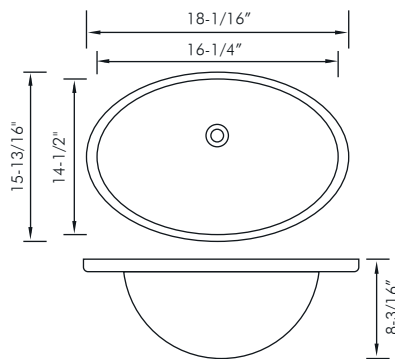


BSN-205B-W

FEATURES

- Ceramic material
- White gloss finish
- Overflow
- Overflow chrome ring included
- Pop up drain not included (available)
- Undermount installation
- Size W 18" x H 14-3/4" x D 7-1/2"

CERAMIC UNDERMOUNT SINKS

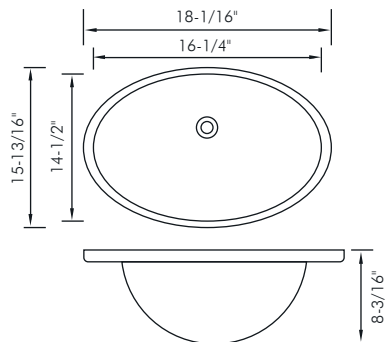


BSN-101

FEATURES

- Ceramic material
- Ivory gloss finish
- Overflow
- Overflow chrome ring included
- Pop up drain not included (available)
- Undermount installation
- Size W 18-1/16" x H 15-13/16" x D 8-3/16"

CERAMIC UNDERMOUNT SINKS

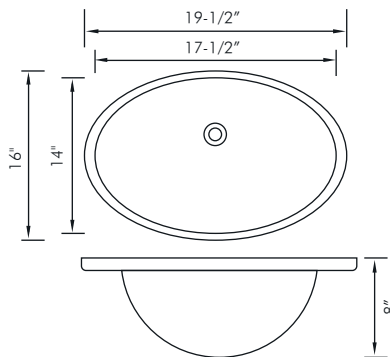


BSN-100

FEATURES

- Ceramic material
- White gloss finish
- Overflow
- Overflow chrome ring included
- Pop up drain not included (available)
- Undermount installation
- Size W 18-1/16" x H 15-13/16" x D 8-3/16"

CERAMIC UNDERMOUNT SINKS

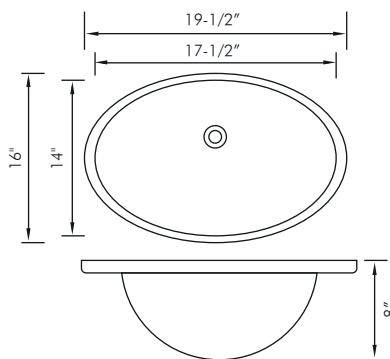


BSN-201

FEATURES

- Ceramic material
- Ivory gloss finish
- Overflow
- Overflow chrome ring included
- Pop up drain not included (available)
- Undermount installation
- Size W 19-1/2" x H 16" x D 8"

CERAMIC UNDERMOUNT SINKS

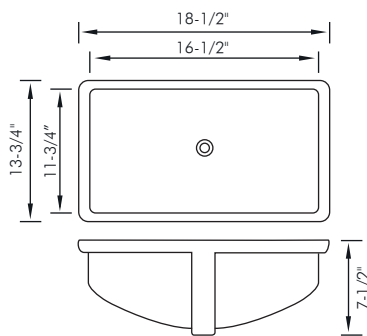


BSN-200

FEATURES

- Ceramic material
- White gloss finish
- Overflow
- Overflow chrome ring included
- Pop up drain not included (available)
- Undermount installation
- Size W 19-1/2" x H 16" x D 8"

CERAMIC UNDERMOUNT SINKS

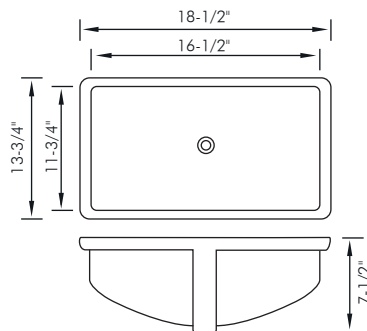


BSN-202B-1

FEATURES

- Ceramic material
- Ivory gloss finish
- Overflow
- Overflow chrome ring included
- Pop up drain not included (available)
- Undermount installation
- Size W 18-1/2" x H 13-3/4" x D 7-1/2"

CERAMIC UNDERMOUNT SINKS

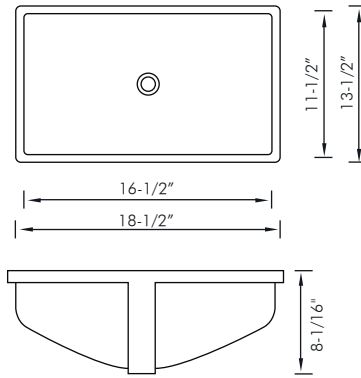


BSN-202B-W

FEATURES

- Ceramic material
- White gloss finish
- Overflow
- Overflow chrome ring included
- Pop up drain not included (available)
- Undermount installation
- Size W 18-1/2" x H 13-3/4" x D 7-1/2"

CERAMIC UNDERMOUNT SINKS

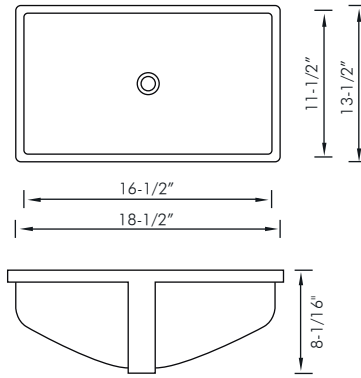


BSN-202C-I

FEATURES

- Ceramic material
- Ivory gloss finish
- Overflow
- Overflow chrome ring included
- Pop up drain not included (available)
- Undermount installation
- Size W 18-1/2" x H 13-1/2" x D 8-1/16"

CERAMIC UNDERMOUNT SINKS

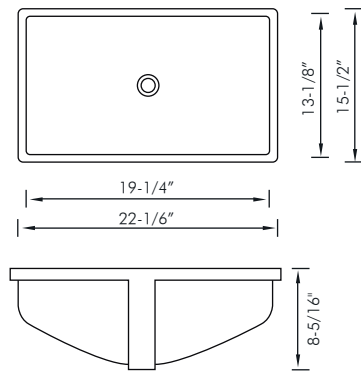


BSN-202C-W

FEATURES

- Ceramic material
- White gloss finish
- Overflow
- Overflow chrome ring included
- Pop up drain not included (available)
- Undermount installation
- Size W 18-1/2" x H 13-1/2" x D 8-1/16"

CERAMIC UNDERMOUNT SINKS

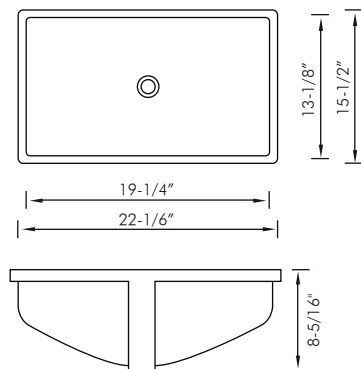


BSN-202G-I

FEATURES

- Ceramic material
- Ivory gloss finish
- Overflow
- Overflow chrome ring included
- Pop up drain not included (available)
- Undermount installation
- Size W 22-1/6" x H 15-1/2" x D 8-5/16"

CERAMIC UNDERMOUNT SINKS

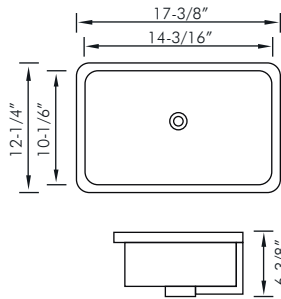


BSN-202G-W

FEATURES

- Ceramic material
- White gloss finish
- Overflow
- Overflow chrome ring included
- Pop up drain not included (available)
- Undermount installation
- Size W 22-1/6" x H 15-1/2" x D 8-5/16"

CERAMIC UNDERMOUNT SINKS

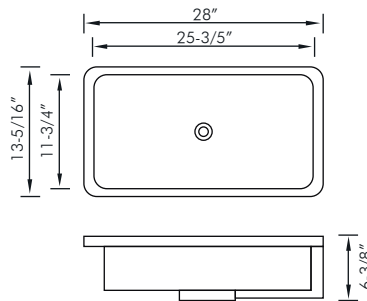


BSN-1812

FEATURES

- Ceramic material
- White gloss finish
- Overflow
- Overflow chrome ring included
- Pop up drain not included (available)
- Undermount installation
- Size W 17-3/8" x H 12-1/4" x D 6-3/8"

CERAMIC UNDERMOUNT SINKS

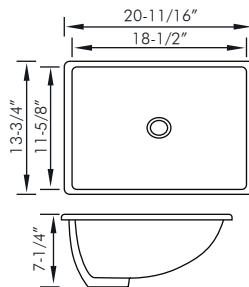


BSN-2814

FEATURES

- Ceramic material
- White gloss finish
- Overflow
- Pop up drain not included (available)
- Undermount installation
- Size W 28" x H 13-5/16" x D 6-3/8"

CERAMIC UNDERMOUNT SINKS

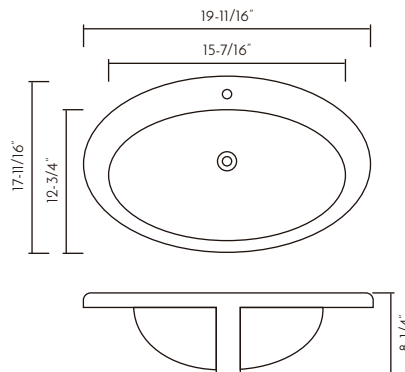


BSN-CL2023

FEATURES

- Ceramic material
- White gloss finish
- Overflow
- Overflow chrome ring included
- Pop up drain not included (available)
- Undermount installation
- Size W 20-11/16" x H 13-3/4" x D 7-1/4"

CERAMIC TOP MOUNT SINKS

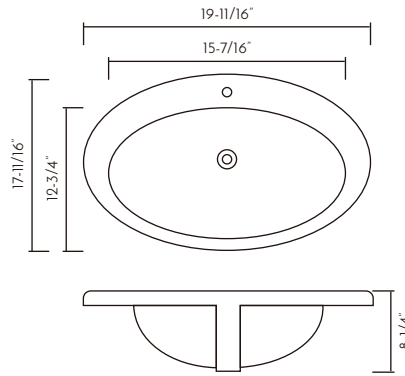


BSN-209-1

FEATURES

- Ceramic material
- Ivory gloss finish
- Overflow
- Overflow chrome ring included
- Pop up drain not included (available)
- Overmount installation
- Size W 19-11/16" x H 17-11/16" x D 8-1/4"

CERAMIC TOP MOUNT SINKS

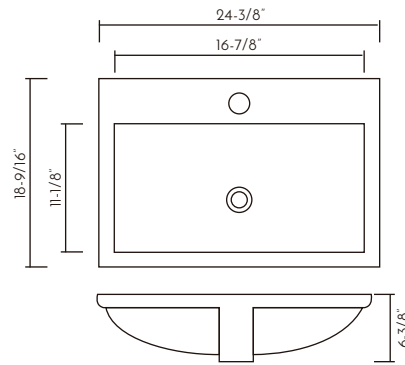


BSN-209-W

FEATURES

- Ceramic material
- White gloss finish
- Overflow
- Overflow chrome ring included
- Pop up drain not included (available)
- Overmount installation
- Size W 19-11/16" x H 17-11/16" x D 8-1/4"

CERAMIC TOP MOUNT SINKS

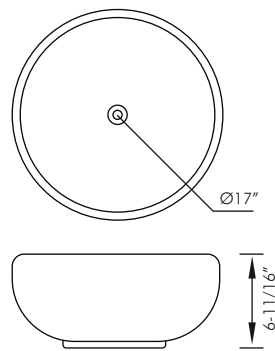


BSN-660-E

FEATURES

- Ceramic material
- White gloss finish
- Overflow
- Overflow chrome ring included
- Pop up drain not included (available)
- Overmount installation
- Size W 24-3/8" x H 18-9/16" x D 6-3/8"

CERAMIC VESSEL SINKS

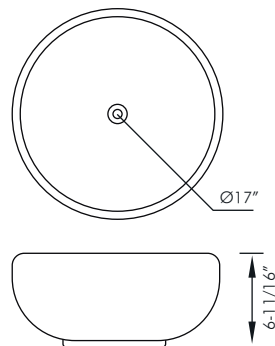


BSN-215-B

FEATURES

- Ceramic material
- Black gloss finish
- Overflow
- Overflow chrome ring included
- Pop up drain not included (available)
- Vessel installation
- Size Ø 17" x D 6-11/16"

CERAMIC VESSEL SINKS

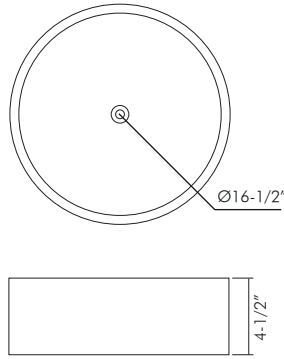


BSN-215-W

FEATURES

- Ceramic material
- White gloss finish
- Overflow
- Overflow chrome ring included
- Pop up drain not included (available)
- Vessel installation
- Size Ø 17" x D 6-11/16"

CERAMIC VESSEL SINKS

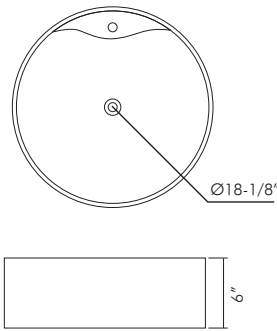


BSN-218

FEATURES

- Ceramic material
- White gloss finish
- Overflow
- Overflow chrome ring included
- Pop up drain not included (available)
- Vessel installation
- Size \varnothing 16-1/2" x D 4-1/2"

CERAMIC VESSEL SINKS

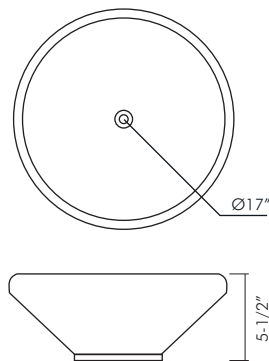


BSN-222-A

FEATURES

- Ceramic material
- White gloss finish
- Overflow
- Overflow chrome ring included
- Pop up drain not included (available)
- Vessel installation
- Size \varnothing 18-1/8" x D 6"

CERAMIC VESSEL SINKS

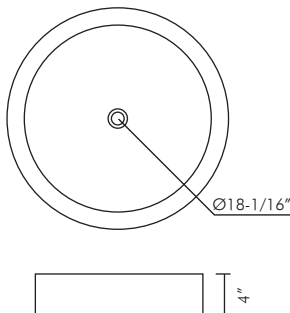


BSN-234

FEATURES

- Ceramic material
- White gloss finish
- Pop up drain not included (available)
- Vessel installation
- Size \varnothing 17" x D 5-1/2"

CERAMIC VESSEL SINKS

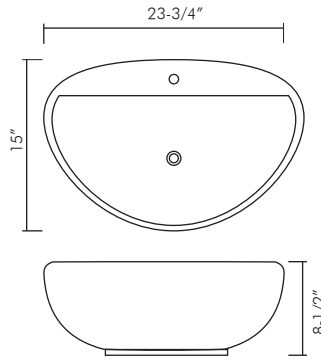


BSN-CL1220

FEATURES

- Ceramic material
- White gloss finish
- Pop up drain not included (available)
- Vessel installation
- Size \varnothing 18-1/16" x D 4"

CERAMIC VESSEL SINKS

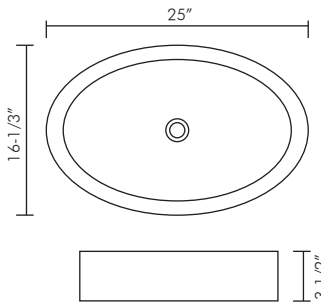


BSN-216

FEATURES

- Ceramic material
- White gloss finish
- Overflow
- Overflow chrome ring included
- Pop up drain not included (available)
- Vessel installation
- Size W 23-3/4" x H 15" x D 8-1/2"

CERAMIC VESSEL SINKS

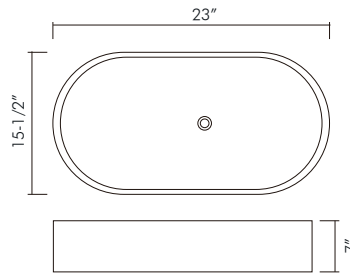


BSN-CL1219

FEATURES

- Ceramic material
- White gloss finish
- Pop up drain not included (available)
- Vessel installation
- Size W 25" x H 16-1/3" x D 3-1/2"

CERAMIC VESSEL SINKS

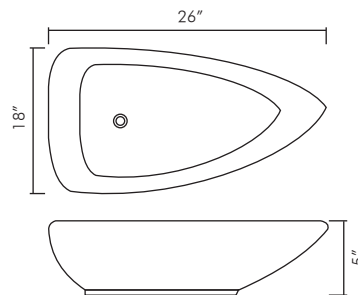


BSN-243C

FEATURES

- Ceramic material
- White gloss finish
- Overflow
- Overflow chrome ring included
- Pop up drain not included (available)
- Vessel installation
- Size W 23" x H 15-1/2" x D 7"

CERAMIC VESSEL SINKS

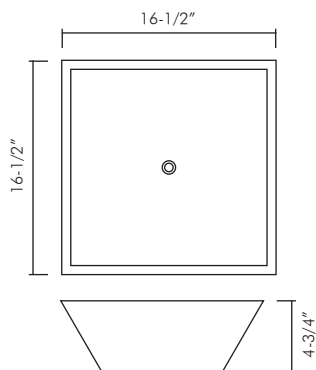


BSN-223

FEATURES

- Ceramic material
- White gloss finish
- Pop up drain not included (available)
- Vessel installation
- Size W 26" x H 18" x D 5"

CERAMIC VESSEL SINKS

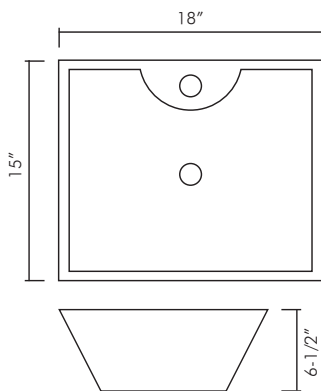


BSN-230

FEATURES

- Ceramic material
- White gloss finish
- Overflow
- Overflow chrome ring included
- Pop up drain not included (available)
- Vessel installation
- Size W 16-1/2" x H 16-1/2" x D 4-3/4"

CERAMIC VESSEL SINKS

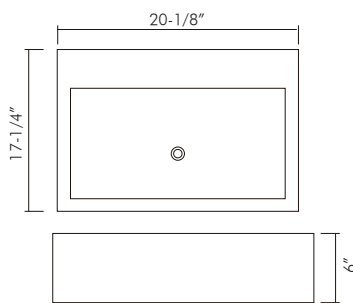


BSN-233

FEATURES

- Ceramic material
- White gloss finish
- Overflow
- Overflow chrome ring included
- Pop up drain not included (available)
- Vessel installation
- Size W 18" x H 15" x D 6-1/2"

CERAMIC VESSEL SINKS

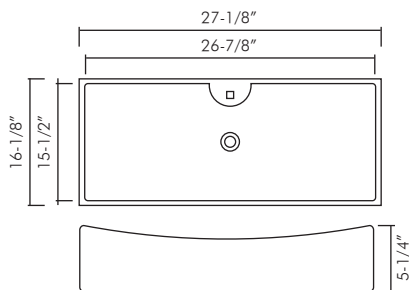


BSN-241

FEATURES

- Ceramic material
- White gloss finish
- Overflow
- Overflow chrome ring included
- Pop up drain not included (available)
- Vessel installation
- Size W 20-1/8" x H 17-1/4" x D 6"

CERAMIC VESSEL SINKS

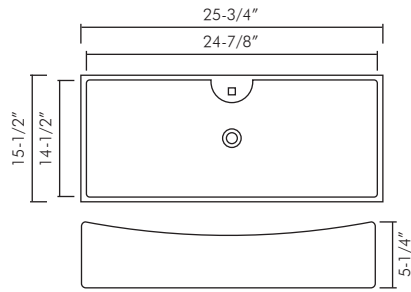


BSN-280A

FEATURES

- Ceramic material
- White gloss finish
- Pop up drain not included (available)
- Vessel installation
- Size W 27-1/8" x H 16-1/8" x D 5-1/4"

CERAMIC VESSEL SINKS

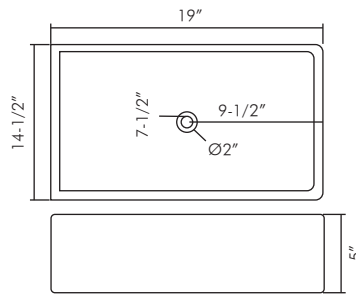


BSN-280B

FEATURES

- Ceramic material
- White gloss finish
- Pop up drain not included (available)
- Vessel installation
- Size W 25-3/4" x H 15-1/2" x D 5-1/4"

CERAMIC VESSEL SINKS

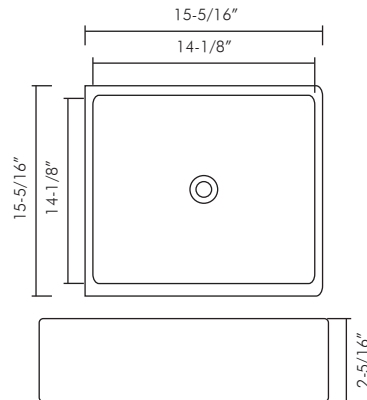


BSN-285B

FEATURES

- Ceramic material
- White gloss finish
- Pop up drain not included (available)
- Vessel installation
- Size W 19" x H 14-1/2" x D 5"

CERAMIC VESSEL SINKS

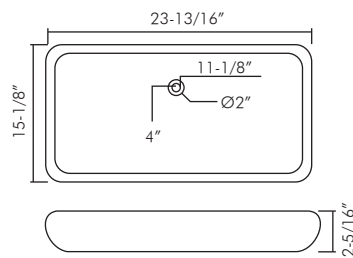


BSN-285C

FEATURES

- Ceramic material
- White gloss finish
- Pop up drain not included (available)
- Vessel installation
- Size W 15-5/16" x H 15-5/16" x D 2-5/16"

CERAMIC VESSEL SINKS

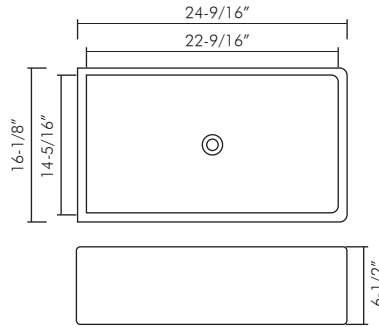


BSN-285I

FEATURES

- Ceramic material
- White gloss finish
- Pop up drain not included (available)
- Vessel installation
- Size W 23-13/16" x H 15-1/8" x D 2-5/16"

CERAMIC VESSEL SINKS

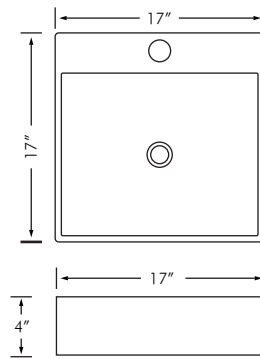


BSN-285K

FEATURES

- Ceramic material
- White gloss finish
- Pop up drain not included (available)
- Vessel installation
- Size W 24-9/16" x H 16-1/8" x D 6-1/2"

CERAMIC VESSEL SINKS

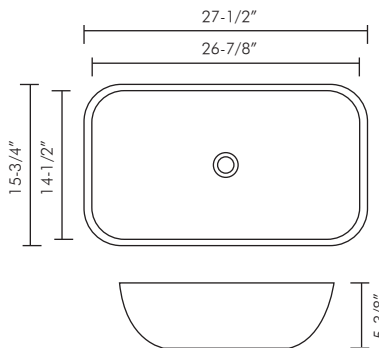


BSN-715

FEATURES

- Ceramic material
- White gloss finish
- Pop up drain not included (available)
- Vessel installation
- Size W 17" x H 17" x D 4"

CERAMIC VESSEL SINKS

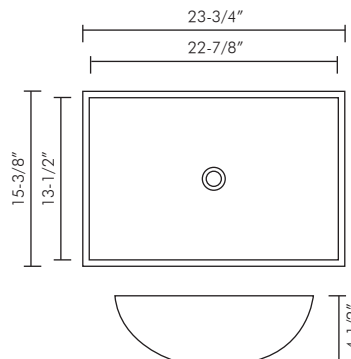


BSN-CL1055

FEATURES

- Ceramic material
- White gloss finish
- Pop up drain not included (available)
- Vessel installation
- Size W 27-1/2" x H 15-3/4" x D 5-3/8"

CERAMIC VESSEL SINKS

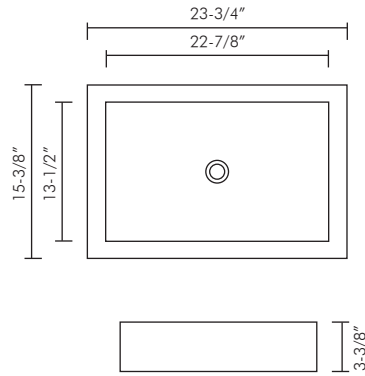


BSN-CL1056

FEATURES

- Ceramic material
- White gloss finish
- Pop up drain not included (available)
- Vessel installation
- Size W 23-3/4" x H 15-3/8" x D 4-1/2"

CERAMIC VESSEL SINKS

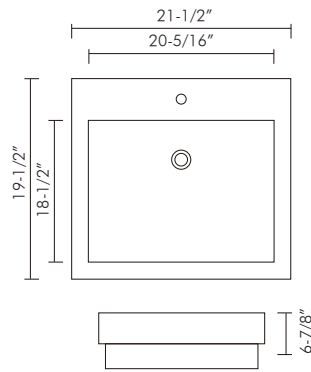


BSN-CL1221

FEATURES

- Ceramic material
- White gloss finish
- Pop up drain not included (available)
- Vessel installation
- Size W 23-3/4" x H 15-3/8" x D 3-3/8"

CERAMIC VESSEL SINKS

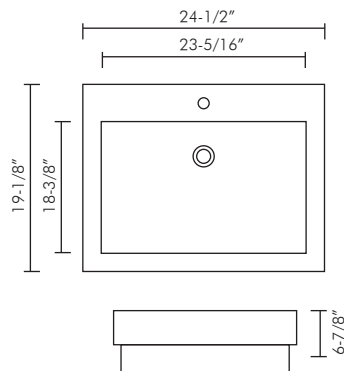


BSN-CL1241

FEATURES

- Ceramic material
- White gloss finish
- Overflow
- Pop up drain not included (available)
- Vessel installation
- Size W 21-1/2" x H 19-1/2" x D 6-7/8"

CERAMIC VESSEL SINKS

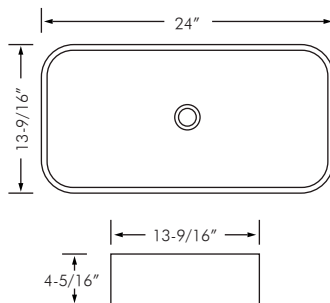


BSN-CL1242

FEATURES

- Ceramic material
- White gloss finish
- Overflow
- Pop up drain not included (available)
- Vessel installation
- Size W 24-1/2" x H 19-1/8" x D 6-7/8"

CERAMIC VESSEL SINKS

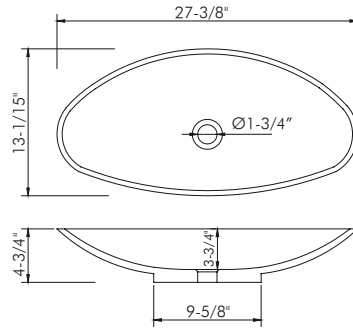


BSN-CL1320

FEATURES

- Ceramic material
- White gloss finish
- Pop up drain not included (available)
- Vessel installation
- Size W 24" x H 13-9/16" x D 4-5/16"

SOLID SURFACE SINKS

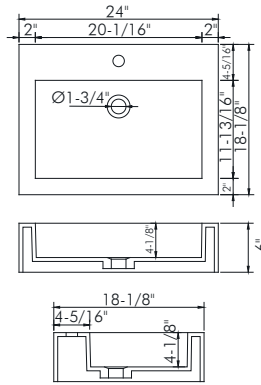


DAX-AB-1302

FEATURES

- Solid surface material
- White matte finish
- Pop up drain not included (available)
- Vessel installation
- Size W 27-3/8" x H 13-1/5" x D 4-3/4"

SOLID SURFACE SINKS

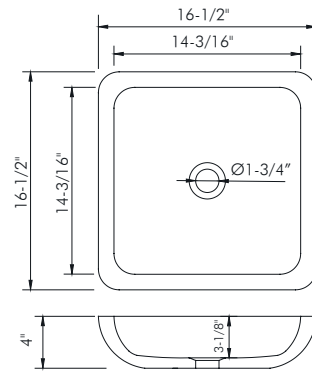


DAX-AB-032

FEATURES

- Solid surface material
- White matte finish
- Overflow
- Overflow chrome ring included
- Pop up drain not included (available)
- Vessel installation
- Size W 24" x H 18-1/8" x D 6"

SOLID SURFACE SINKS

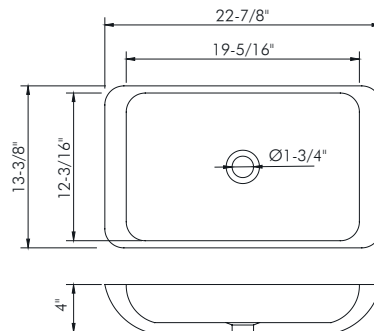


DAX-AB-1320

FEATURES

- Solid surface material
- White matte finish
- Pop up drain not included (available)
- Vessel installation
- Size W 16-1/2" x H 16-1/2" x D 4"

SOLID SURFACE SINKS

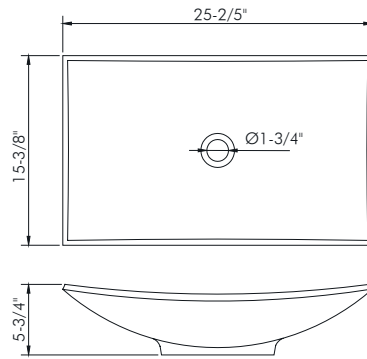


DAX-AB-1321

FEATURES

- Solid surface material
- White matte finish
- Pop up drain not included (available)
- Vessel installation
- Size W 22-7/8" x H 13-3/8" x D 4"

SOLID SURFACE SINKS

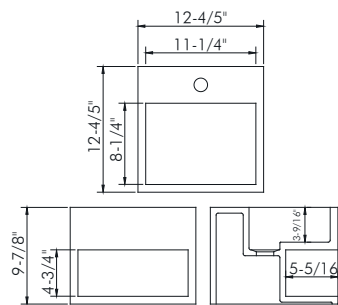


DAX-AB-1325

FEATURES

- Solid surface material
- White matte finish
- Pop up drain not included (available)
- Vessel installation
- Size W 25-2/5" x H 15-3/8" x D 5-3/4"

SOLID SURFACE SINKS

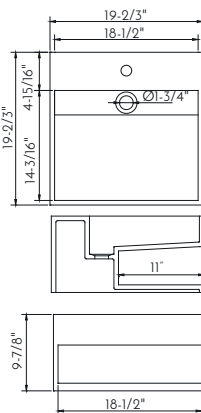


DAX-AB-1360

FEATURES

- Solid surface material
- White matte finish
- Vessel installation
- Size W 12-4/5" x H 12-4/5" x D 9-7/8"

SOLID SURFACE SINKS

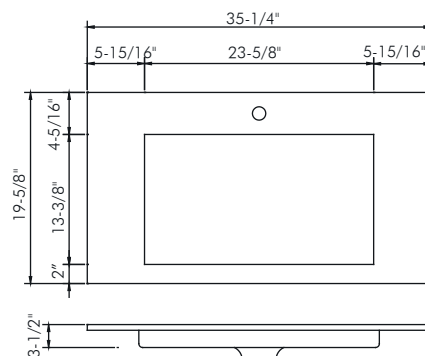


DAX-AB-1361

FEATURES

- Solid surface material
- White matte finish
- Vessel installation
- Size W 19-2/3" x H 19-2/3" x D 9-7/8"

SOLID SURFACE SINKS

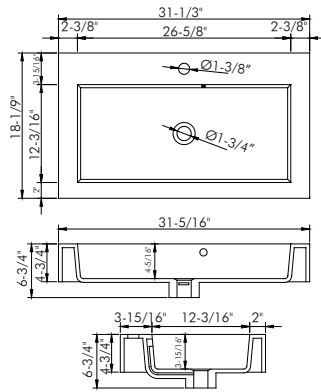


DAX-AB-1331

FEATURES

- Solid surface material
- White matte finish
- Vessel installation
- Size W 35-1/4" x H 19-5/8" x D 3-1/2"

SOLID SURFACE SINKS

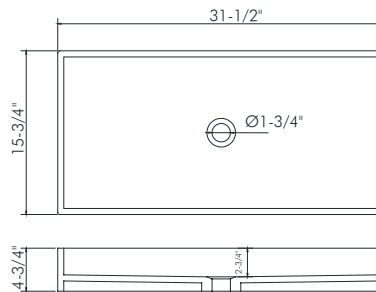


DAX-AB-1021

FEATURES

- Solid surface material
- White matte finish
- Overflow
- Overflow chrome ring included
- Pop up drain not included (available)
- Vessel installation
- Size W 31-1/3" x H 18-1/9" x D 6-3/4"

SOLID SURFACE SINKS

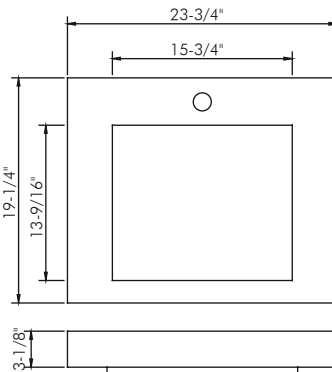


DAX-AB-1327

FEATURES

- Solid surface material
- White matte finish
- Pop up drain not included (available)
- Vessel installation
- Size W 31-1/2" x H 15-3/4" x D 4-3/4"

SOLID SURFACE SINKS

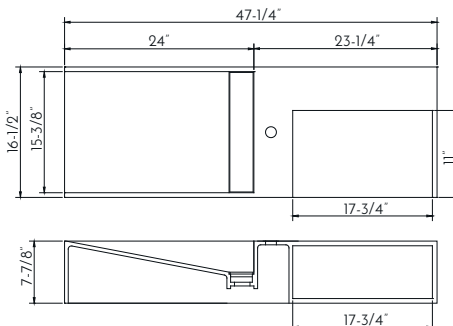


DAX-AB-1330

FEATURES

- Solid surface material
- White matte finish
- Vessel installation
- Size W 23-3/4" x H 19-1/4" x D 3-1/8"

SOLID SURFACE SINKS

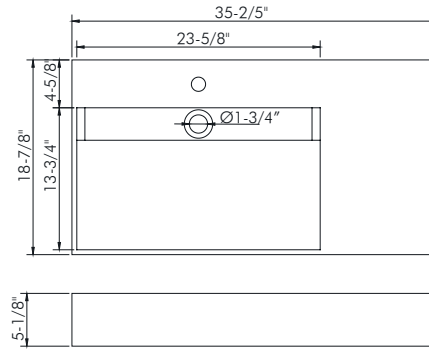


DAX-AB-1365

FEATURES

- Solid surface material
- White matte finish
- Vessel installation
- Size W 47-1/4" x H 16-1/2" x D 7-7/8"

SOLID SURFACE SINKS

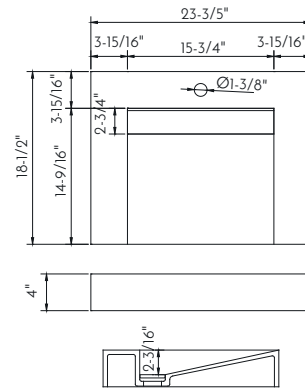


DAX-AB-1366

FEATURES

- Solid surface material
- White matte finish
- Vessel installation
- Size W 35-2/5" x H 18-7/8" x D 5-1/8"

SOLID SURFACE SINKS

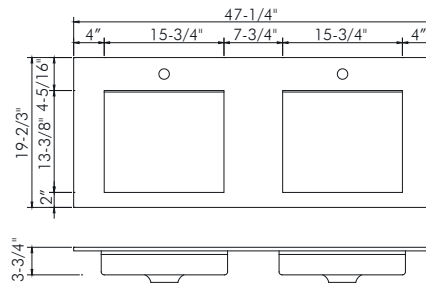


DAX-AB-1379

FEATURES

- Solid surface material
- White matte finish
- Vessel installation
- Size W 23-3/5" x H 18-1/2" x D 4"

SOLID SURFACE SINKS

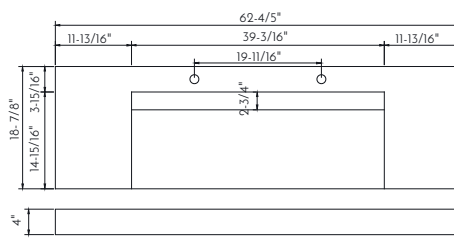


DAX-AB-1332

FEATURES

- Solid surface material
- White matte finish
- Vessel installation
- Size W 47-1/4" x H 19-2/3" x D 3-3/4"

SOLID SURFACE SINKS

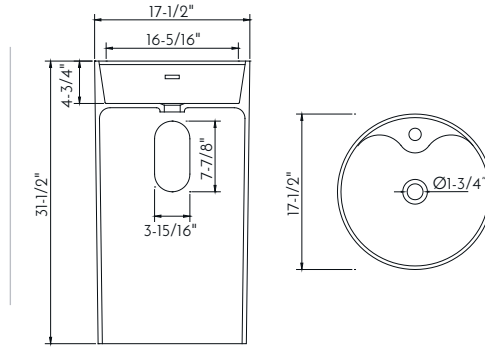


DAX-AB-1371

FEATURES

- Solid surface material
- White matte finish
- Vessel installation
- Size W 62-4/5" x H 18-7/8" x D 4"

SOLID SURFACE SINKS

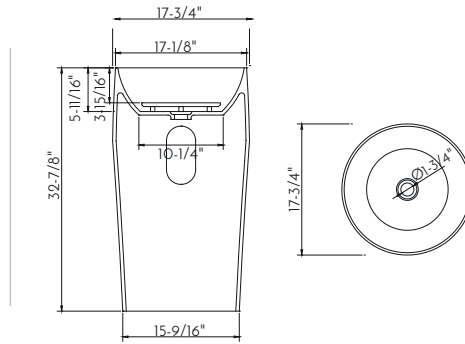


DAX-AB-1380

FEATURES

- Solid surface material
- White matte finish
- Pop up drain not included (available)
- Freestanding installation
- Size W 17-1/2" x H 17-1/2" x D 31-1/2"

SOLID SURFACE SINKS

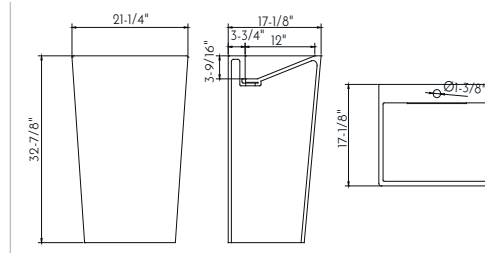


DAX-AB-1381

FEATURES

- Solid surface material
- White matte finish
- Freestanding installation
- Size W 17-3/4" x H 17-3/4" x D 32-7/8"

SOLID SURFACE SINKS

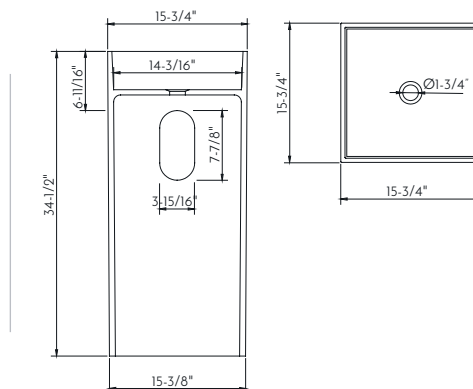


DAX-AB-1384

FEATURES

- Solid surface material
- White matte finish
- Freestanding installation
- Size W 21-1/4" x H 17-1/8" x D 32-7/8"

SOLID SURFACE SINKS



DAX-AB-1382

FEATURES

- Solid surface material
- White matte finish
- Pop up drain not included (available)
- Freestanding installation
- Size W 15-3/4" x H 15-3/4" x D 34-1/2"



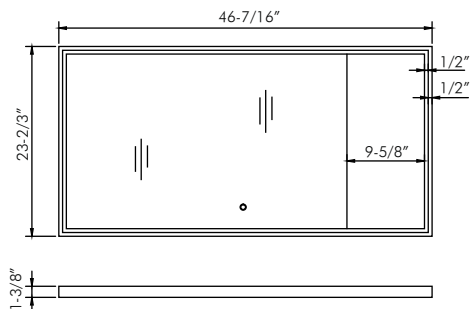
* WARRANTY DETAILS AND SPECIFICATIONS ARE AVAILABLE IN THE DOWNLOADS SECTIONS AT DAXIB.COM





BATHROOM
MIRRORS SERIES 07

BATHROOM MIRRORS

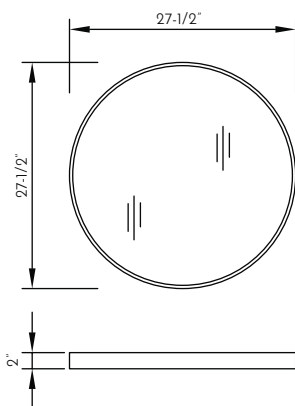


DAX-AB-1570

FEATURES

- Solid surface frame
- Led light with touch switch
- Hanging hardware included
- Size W 46-7/16" x H 23-2/3" x D 1-3/8"

BATHROOM MIRRORS

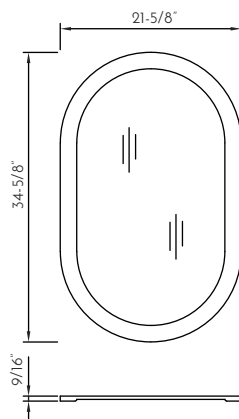


DAX-AB-1571

FEATURES

- Solid surface frame
- Hanging hardware included
- Size Ø 27-1/2" x D 2"

BATHROOM MIRRORS

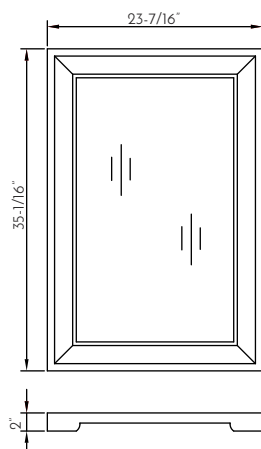


DAX-AB-1572

FEATURES

- Solid surface frame
- Hanging hardware included
- Size W 21-5/8" x H 34-5/8" x D 9/16"

BATHROOM MIRRORS

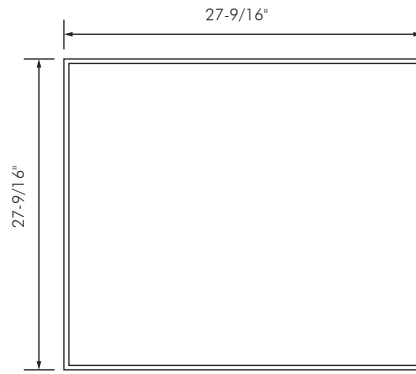


DAX-AB-1579

FEATURES

- Solid surface frame
- Hanging hardware included
- Size W 23-7/16" x H 35-1/16" x D 2"

BATHROOM MIRRORS

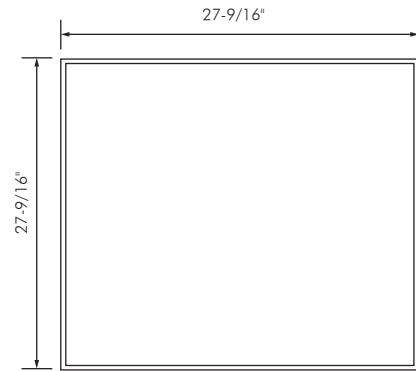


DAX-DL03B

FEATURES

- Aluminum frame
- Led light with touch switch
- Hanging hardware included
- Size W 27-9/16" x H 27-9/16"

BATHROOM MIRRORS

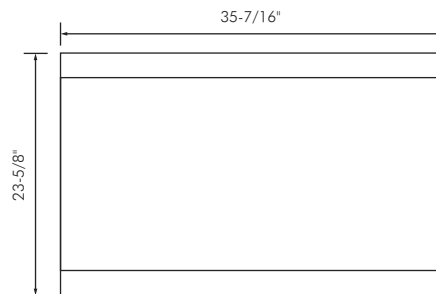


DAX-DL35

FEATURES

- Acrylic frame
- Led light with touch switch
- Hanging hardware included
- Size W 27-9/16" x H 27-9/16" x D 2"

BATHROOM MIRRORS

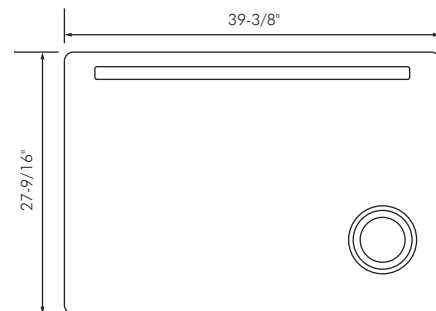


DAX-DL36

FEATURES

- Frameless
- Led light with manual switch
- Hanging hardware included
- Size W 35-7/16" x H 23-5/8" x D 1-1/2"

BATHROOM MIRRORS

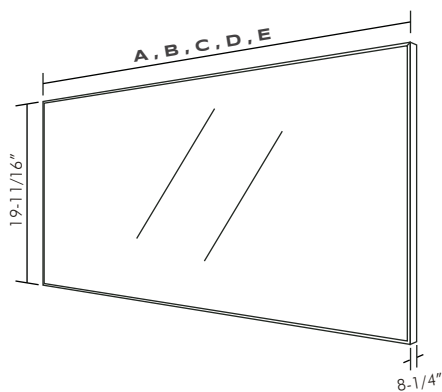
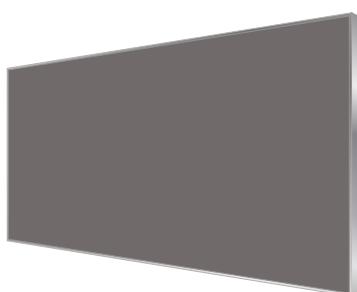


DAX-TH21F

FEATURES

- Frameless
- Led light with touch switch
- 3X Magnifying Section w/LED
- Hanging hardware included
- Size W 39-3/8" x H 27-9/16" x D 1-1/4"

BATHROOM MIRRORS



DAX-AF1

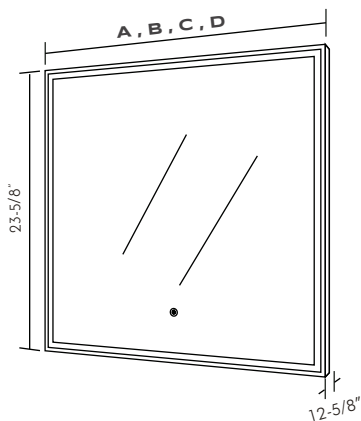
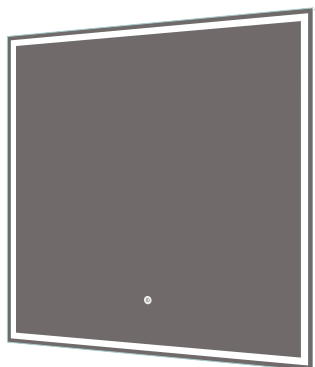
FEATURES

- Aluminum frame
- Hanging hardware included

SIZES

- A** DAX-AF10050 39-3/8" x 19-11/16"
- B** DAX-AF11050 43-5/16" x 19-11/16"
- C** DAX-AF12050 47-1/4" x 19-11/16"
- D** DAX-AF14050 55-1/8" x 19-11/16"
- E** DAX-AF15050 59-1/6" x 19-11/16"

BATHROOM MIRRORS



DAX-DL75

FEATURES

- Aluminum frame
- Led light with touch switch
- Hanging hardware included

SIZES

- A** DAX-DL756060 23-5/8" x 23-5/8"
- B** DAX-DL758060 31-1/2" x 23-5/8"
- C** DAX-DL759060 35-7/16" x 23-5/8"
- D** DAX-DL7510060 39-3/8" x 23-5/8"

DAX-AB-1570



DAX-AB-1571



DAX-AB-1572



DAX-AB-1579



DAX-TH21F



DAX-DL35



* WARRANTY DETAILS AND SPECIFICATIONS ARE AVAILABLE IN THE DOWNLOADS SECTIONS AT DAXIB.COM

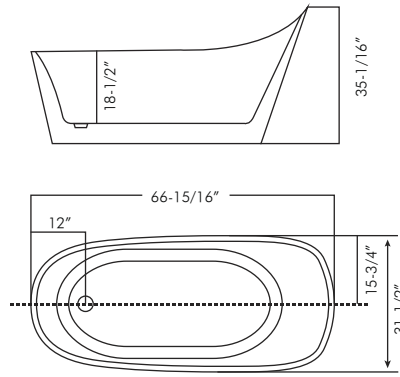




BATHTUBS SERIES 08

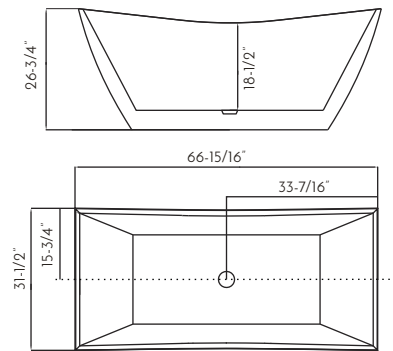


BATHTUBS

**BT-8089****FEATURES**

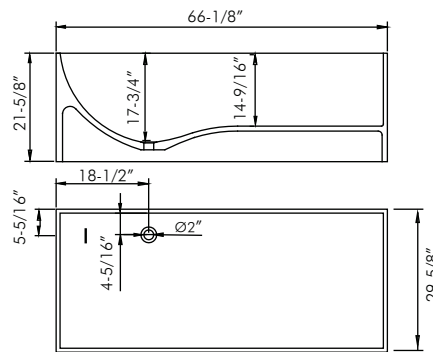
- Freestanding installation
- Acrylic material
- White gloss finish
- Off center drain
- Overflow
- Overflow drain included
- Pop up drain Included
- Size W 66-15/16" x H 35-1/16" x D 31-1/2"

BATHTUBS

**BT-8086****FEATURES**

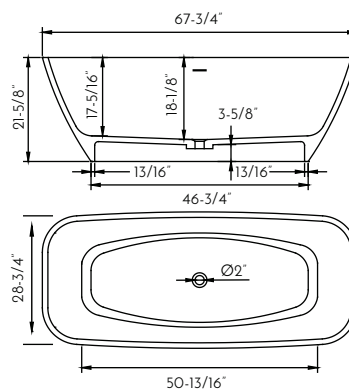
- Freestanding installation
- Acrylic material
- White gloss finish
- Central drain
- Overflow
- Overflow drain included
- Pop up drain Included
- Size W 66-15/16" x H 26-3/4" x D 31-1/2"

BATHTUBS

**BT-AB-B029****FEATURES**

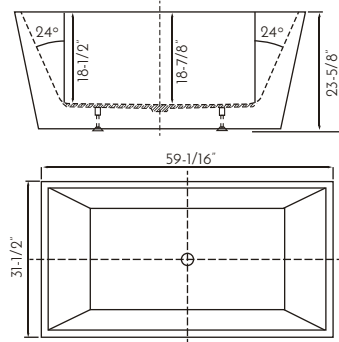
- Freestanding installation
- Acrylic material
- White matte finish
- Off center drain
- Overflow
- Overflow drain included
- Drain not included
- Size W 66-1/8" x H 21-5/8" x D 29-5/8"

BATHTUBS

**BT-AB-B037****FEATURES**

- Freestanding installation
- Acrylic material
- White matte finish
- Central Drain
- Overflow
- Overflow drain included
- Drain not included
- Size W 67-3/4" x H 21-5/8" x D 28-3/4"

BATHTUBS

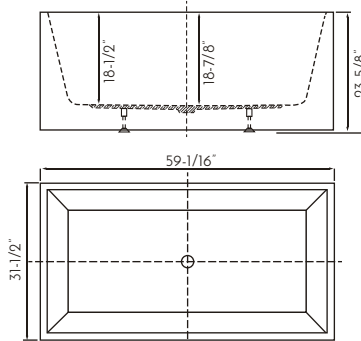


BT-8013

FEATURES

- Freestanding installation
- Acrylic material
- White gloss finish
- Central Drain
- Overflow
- Overflow drain included
- Pop up drain Included
- Size W 59-1/16" x H 23-5/8" x D 31-1/2"

BATHTUBS

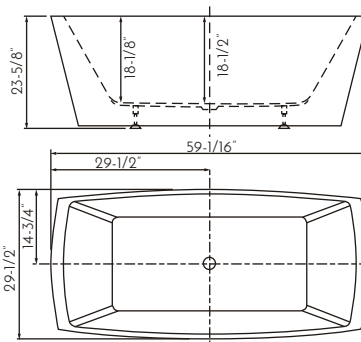


BT-8013A

FEATURES

- Freestanding installation
- Acrylic material
- White gloss finish
- Central Drain
- Overflow
- Overflow drain included
- Pop up drain Included
- Size W 59-1/16" x H 23-5/8" x D 31-1/2"

BATHTUBS

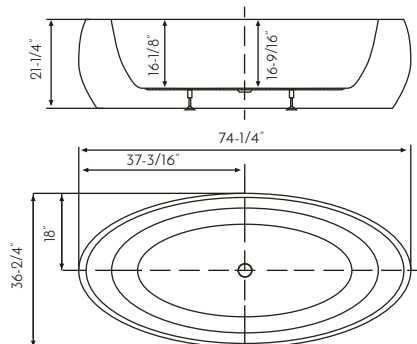


BT-8017

FEATURES

- Freestanding installation
- Acrylic material
- White gloss finish
- Central Drain
- Overflow
- Overflow drain included
- Pop up drain Included
- Size W 59-1/16" x H 23-5/8" x D 29-1/2"

BATHTUBS

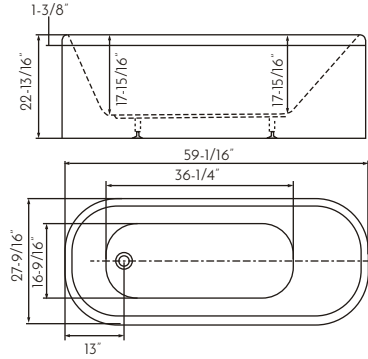


BT-8008

FEATURES

- Freestanding installation
- Acrylic material
- White gloss finish
- Central drain
- Overflow
- Overflow drain included
- Pop up drain Included
- Size W 74-1/4" x H 21-1/4" x D 36-2/4"

BATHTUBS



BT-8062

FEATURES

- Freestanding installation
- Acrylic material
- White gloss finish
- Off center drain
- Overflow
- Overflow drain included
- Pop up drain Included
- Size: W 59-1/16" x H 22-13/16" x D 27-9/16"

BT-8008



BT-8086



BT-8013



BT-8017



BT-8013A



BT-8062



BT-AB-B029



BT-8089



BT-AB-B037



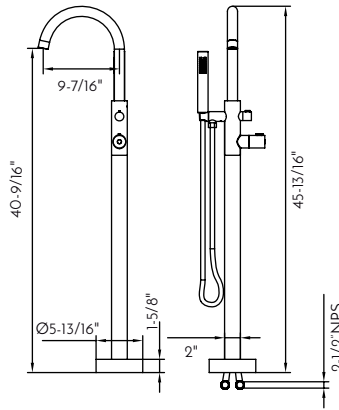
* WARRANTY DETAILS AND SPECIFICATIONS ARE AVAILABLE IN THE DOWNLOADS SECTIONS AT DAXIB.COM



BATHTUB
FILLERS SERIES 09



BATHTUB FILLERS



DAX-807

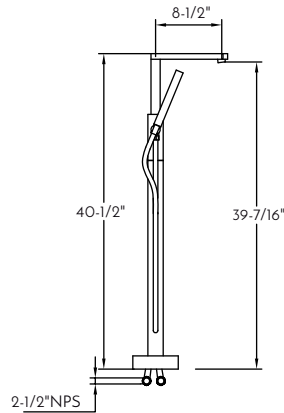
FEATURES

- Floor mount
- Brass body
- Thermostatic valve
- Anti-scalding protection
- Ceramic cartridge
- Flow rate 4.01 GPM
- Hand shower included
- Mounting parts and water lines included

FINISH

- DAX-807-CR Chrome
- DAX-807-BN Brushed nickel

BATHTUB FILLERS



DAX-808

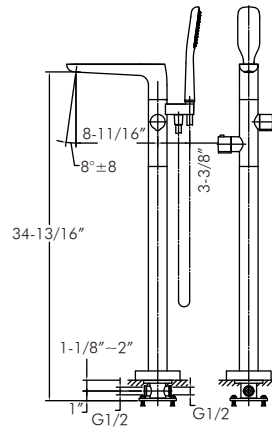
FEATURES

- Floor mount
- Brass body
- Anti-scalding protection
- Ceramic cartridge
- Flow rate 3.54 GPM
- Hand shower included
- Mounting parts and water lines included

FINISH

- DAX-808-CR Chrome
- DAX-808-BN Brushed nickel

BATHTUB FILLERS

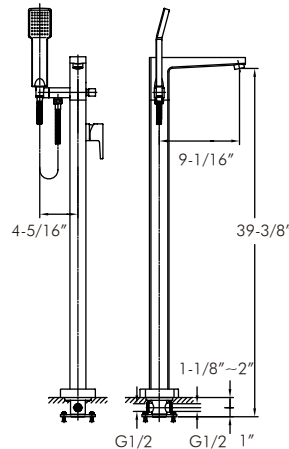


DAX-8153

FEATURES

- Floor mount
- Brass body
- Chrome finish
- Thermostatic valve
- Anti-scalding protection
- Ceramic cartridge
- Flow rate 2.0 GPM
- Hand shower included
- Mounting parts and water lines included

BATHTUB FILLERS

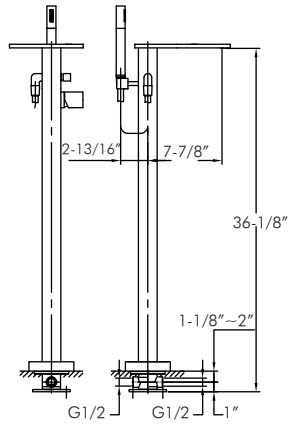


DAX-8129

FEATURES

- Floor mount
- Brass body
- Chrome finish
- Anti-scalding protection
- Ceramic cartridge
- Flow rate 5.0 GPM
- Hand shower included
- Mounting parts and water lines included

BATHTUB FILLERS

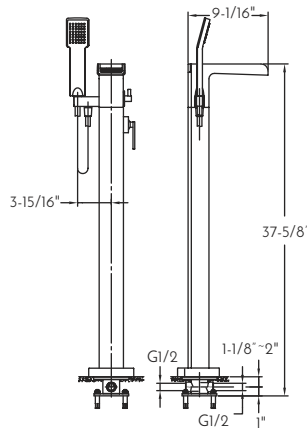


DAX-8180

FEATURES

- Floor mount
- Brass body
- Chrome finish
- Anti-scalding protection
- Ceramic cartridge
- Hand shower included
- Mounting parts and water lines included

BATHTUB FILLERS

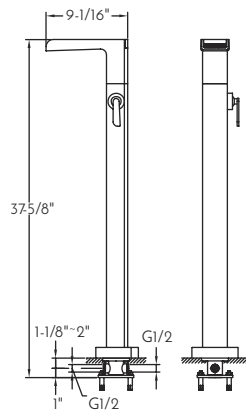


DAX-8185

FEATURES

- Floor mount
- Brass body
- Chrome finish
- Anti-scalding protection
- Ceramic cartridge
- Hand shower included
- Mounting parts and water lines included

BATHTUB FILLERS

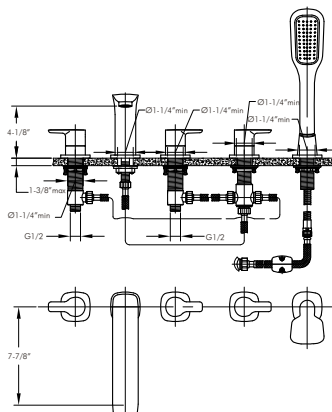


DAX-8185A

FEATURES

- Floor mount
- Brass body
- Chrome finish
- Anti-scalding protection
- Ceramic cartridge
- Mounting parts and water lines included

BATHTUB FILLERS

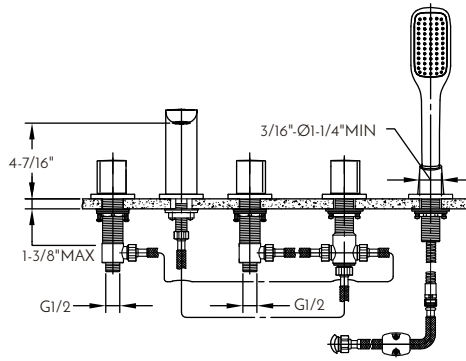


DAX-8138C

FEATURES

- Deck mount
- Brass body
- Chrome finish
- Ceramic cartridge
- Hand shower included
- Mounting parts and water lines included

BATHTUB FILLERS

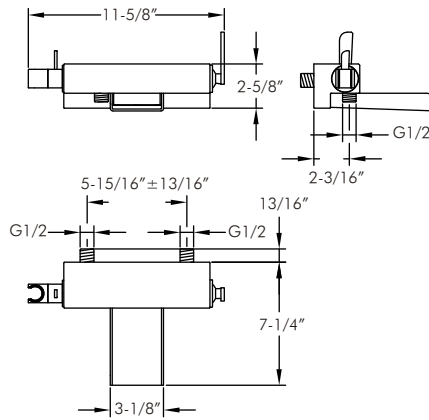


DAX-8196C

FEATURES

- Deck mount
- Brass body
- Chrome finish
- Ceramic cartridge
- Hand shower included
- Mounting parts and water lines included

BATHTUB FILLERS

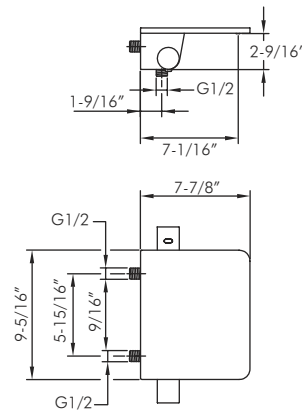


DAX-8105

FEATURES

- Wall mount
- Brass body
- Chrome finish
- Anti-scalding protection
- Ceramic cartridge
- Flow rate 3.3 GPM
- Hand shower included
- Mounting parts and water lines included

BATHTUB FILLERS



DAX-8190

FEATURES

- Wall mount
- Brass body
- Chrome finish
- Thermostatic valve
- Anti-scalding protection
- Ceramic cartridge
- Flow rate 2.0 GPM
- Mounting parts and water lines included

DAX-807-BN



DAX-808-CR



DAX-8185-CR



* WARRANTY DETAILS AND SPECIFICATIONS ARE AVAILABLE IN THE DOWNLOADS SECTIONS AT DAXIB.COM

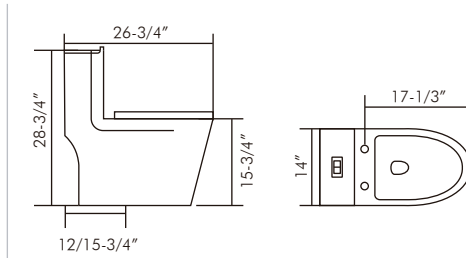




TOILETS SERIES 10



TOILETS

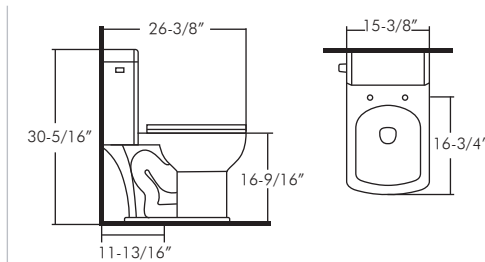


BSN-835

FEATURES

- Ceramic material
- White gloss finish
- Chrome flush buttons
- Soft close seat included
- Dual flush
- 1.06 - 1.6 GPF
- One piece construction
- Floor mount

TOILETS

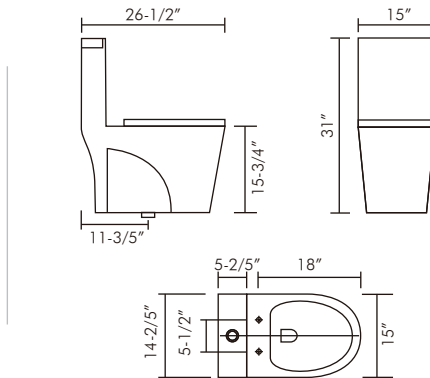


BSN-105

FEATURES

- Ceramic material
- White gloss finish
- Chrome flush buttons
- Soft close seat included
- Single flush
- 1.06 - 1.6 GPF
- One piece construction
- Floor mount

TOILETS

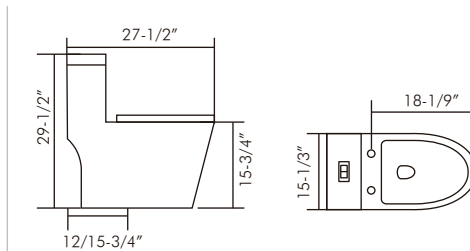


BSN-CL12011

FEATURES

- Ceramic material
- White gloss finish
- Chrome flush buttons
- Soft close seat included
- Dual flush
- 1.06 - 1.6 GPF
- One piece construction
- Floor mount

TOILETS

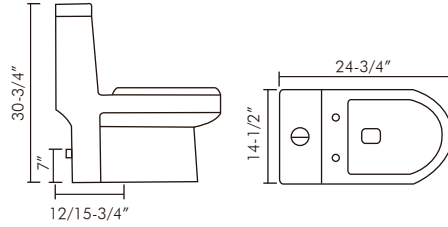


BSN-832

FEATURES

- Ceramic material
- White gloss finish
- Chrome flush buttons
- Soft close seat included
- Dual flush
- 1.06 - 1.6 GPF
- One piece construction
- Floor mount

TOILETS

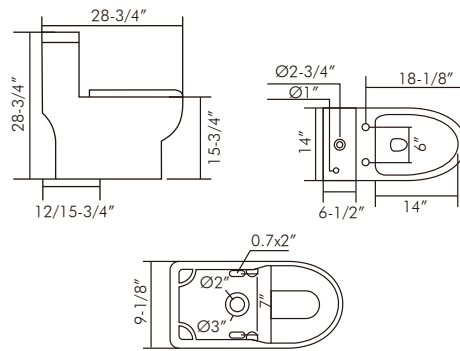


BSN-43A

FEATURES

- Ceramic material
- White gloss finish
- Chrome flush buttons
- Soft close seat included
- Dual flush
- 1.1 - 1.6 GPF
- One piece construction
- Floor mount

TOILETS

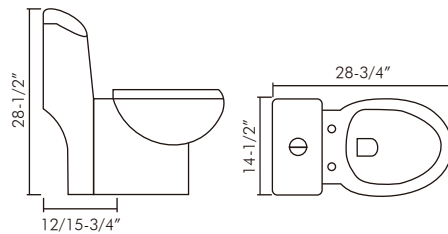


BSN-76

FEATURES

- Ceramic material
- White gloss finish
- Chrome flush buttons
- Soft close seat included
- Dual flush
- 1.1 - 1.6 GPF
- One piece construction
- Floor mount

TOILETS

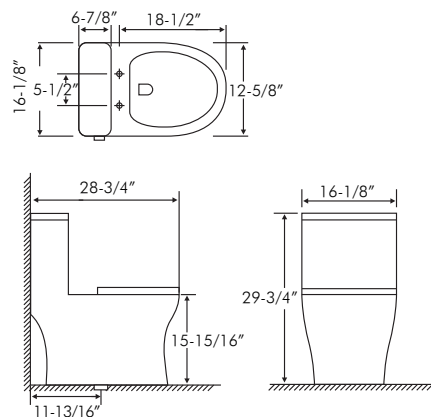


BSN-31

FEATURES

- Ceramic material
- White gloss finish
- Chrome flush buttons
- Soft close seat included
- Dual flush
- 1.1 - 1.6 GPF
- One piece construction
- Floor mount

TOILETS

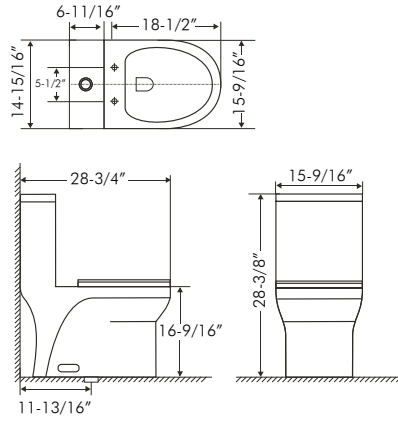


BSN-CL12243

FEATURES

- Ceramic material
- White gloss finish
- Chrome flush buttons
- Soft close seat included
- Dual flush
- 1.06 - 1.6 GPF
- One piece construction
- Floor mount

TOILETS

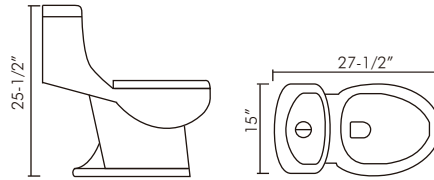


BSN-CL12050A

FEATURES

- Ceramic material
- White gloss finish
- Chrome flush buttons
- Soft close seat included
- Dual flush
- 1.06 - 1.6 GPF
- One piece construction
- Floor mount

TOILETS

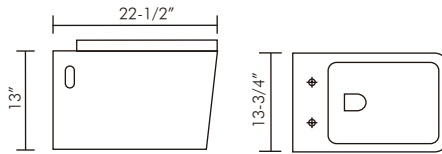


BSN-11

FEATURES

- Ceramic material
- White gloss finish
- Chrome flush buttons
- Soft close seat included
- Dual flush
- 1.06 - 1.6 GPF
- One piece construction
- Floor mount

TOILETS

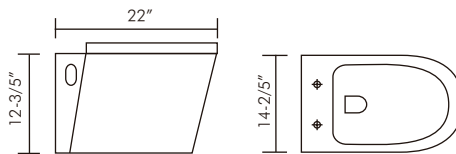


BSN-CL11002A

FEATURES

- Ceramic material
- White gloss finish
- Soft close seat included
- 1.06 - 1.6 GPF
- Wall Mount
- Concealed tank included (BSN-CL17010)

TOILETS

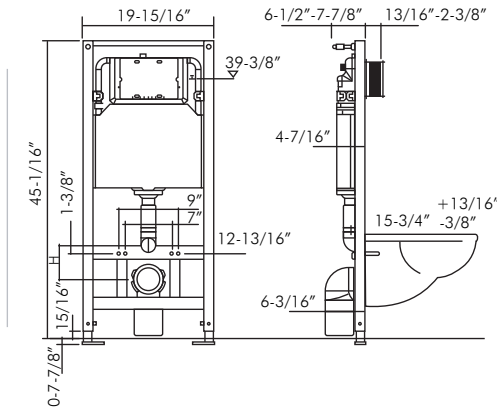


BSN-CL11025

FEATURES

- Ceramic material
- White gloss finish
- Soft close seat included
- 1.06 - 1.6 GPF
- Wall Mount
- Concealed tank included (BSN-CL17010)

TOILETS

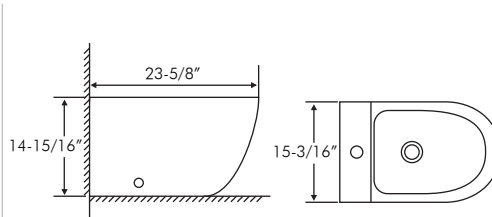


BSN-CL17010

FEATURES

- Concealed tank included for models BSN-CL11002A and BSN-CL11025
- White plate and flush buttons
- Dual flush
- Wall Mount

BIDETS



BSN-1101

FEATURES

- Ceramic material
- White gloss finish
- Drain not included
- One piece construction
- Floor mount

BSN-76



BSN-43A



BSN-832



BSN-CL12011



BSN-CL12243



BSN-835



* WARRANTY DETAILS AND SPECIFICATIONS ARE AVAILABLE IN THE DOWNLOADS SECTIONS AT DAXIB.COM

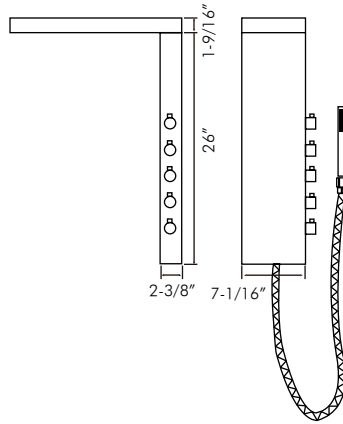




11 SHOWER PANELS
SERIES



SHOWER PANELS

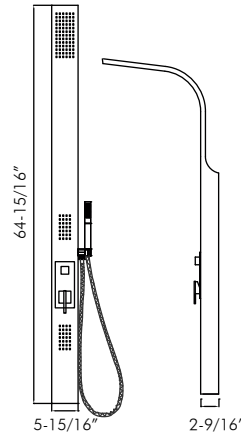


DAX-O74

FEATURES

- Stainless steel body
- Brushed stainless steel - chrome finish
- Rainshower
- Waterfall
- Hand shower included
- Ceramic cartridge
- Pre-plumbed
- Direct easy installation
- No valve required
- Wall mount

SHOWER PANELS

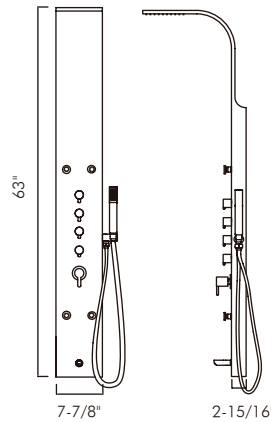


DAX-120

FEATURES

- Stainless steel body
- Brushed stainless steel - chrome finish
- Rainshower
- Hand shower included
- Body jets
- Ceramic cartridge
- Pre-plumbed
- Direct easy installation
- No valve required
- Wall mount

SHOWER PANELS

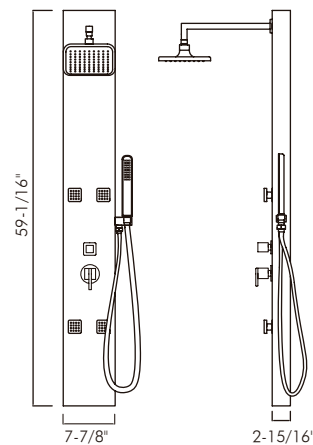


DAX-S107

FEATURES

- Stainless steel body
- Brushed stainless steel - chrome finish
- Rainshower
- Tub filler
- Hand shower included
- Body jets
- Ceramic cartridge
- Pre-plumbed
- Direct easy installation
- No valve required
- Wall mount

SHOWER PANELS

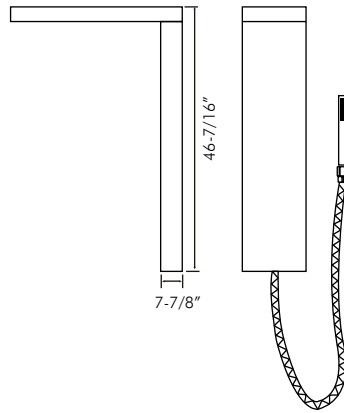


DAX-S109

FEATURES

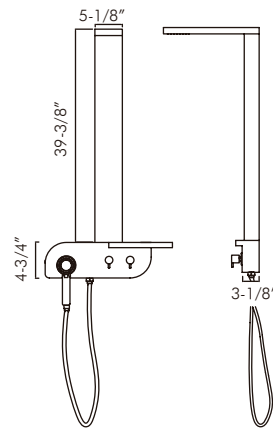
- Stainless steel body
- Chrome - black finish
- Rainshower
- Hand shower included
- Body jets
- Ceramic cartridge
- Pre-plumbed
- Direct easy installation
- No valve required
- Wall mount

SHOWER PANELS

**DAX-S280****FEATURES**

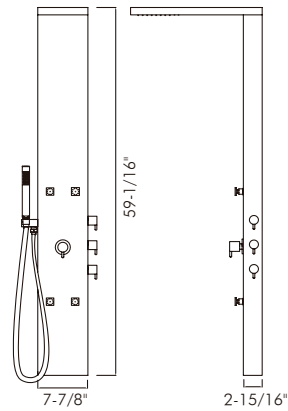
- Stainless steel body
- Chrome - white finish
- Rainshower
- Hand shower included
- Body jets
- Ceramic cartridge
- Pre-plumbed
- Direct easy installation
- No valve required
- Wall mount

SHOWER PANELS

**DAX-S300****FEATURES**

- Stainless steel body
- Chrome - white finish
- Rainshower
- Hand shower included
- Ceramic cartridge
- Pre-plumbed
- Direct easy installation
- No valve required
- Wall mount

SHOWER PANELS

**DAX-SA101****FEATURES**

- Stainless steel body
- Brushed stainless steel - chrome finish
- Rainshower
- Hand shower included
- Body jets
- Ceramic cartridge
- Pre-plumbed
- Direct easy installation
- No valve required
- Wall mount

DAX-074**DAX-S300****DAX-120**

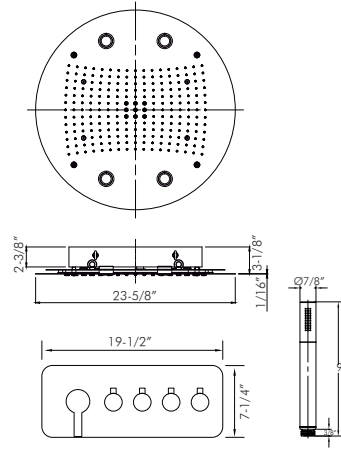
* WARRANTY DETAILS AND SPECIFICATIONS ARE AVAILABLE IN THE DOWNLOADS SECTIONS AT DAXIB.COM



SHOWER SYSTEMS
SERIES 12



SHOWER SYSTEMS

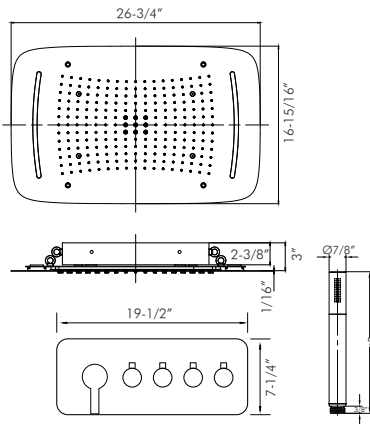


DAX-R242

FEATURES

- Multi-function valve
- Ceiling mount shower head
- Rainshower
- Mist sprayer
- Strong center sprayer
- Handshower included
- LED lights with controller
- Silicone water nozzles
- Ceramic cartridge
- Valve flow rate 10.6 GPM
- Shower head flow rate 5.55 GPM
- Handshower head flow rate 6.34 GPM
- Brass body
- Chrome finish

SHOWER SYSTEMS

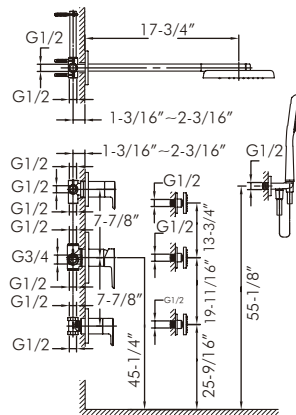


DAX-S271

FEATURES

- Multi-function valve
- Ceiling mount shower head
- Rainshower
- Mist sprayer
- Strong center sprayer
- Handshower included
- LED lights with controller
- Silicone water nozzles
- Ceramic cartridge
- Valve flow rate 10.6 GPM
- Shower head flow rate 5.55 GPM
- Handshower head flow rate 6.34 GPM
- Brass body
- Chrome finish

SHOWER SYSTEMS

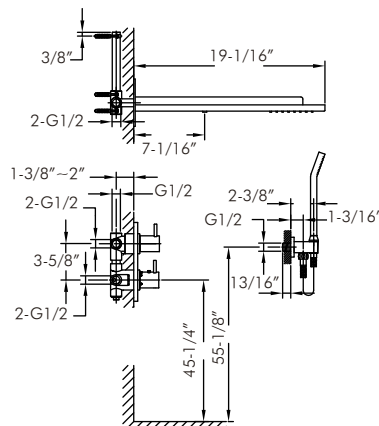


DAX-9910A

FEATURES

- Multi-function valve
- Wall mount shower head
- Rainshower
- Waterfall
- Body jets with independent control
- Handshower included
- Silicone water nozzles
- Ceramic cartridge
- Flow rate 2.0 GPM
- Pressure balance valve
- Brass body
- Chrome finish

SHOWER SYSTEMS

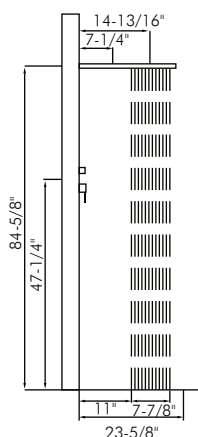


DAX-8379

FEATURES

- Three function valve
- Wall mount shower head
- Rainshower
- Waterfall
- Handshower included
- Silicone water nozzles
- Ceramic cartridge
- Flow rate 2.0 GPM
- Thermostatic valve
- Anti-scalding protection
- Brass body
- Chrome finish

SHOWER SYSTEMS

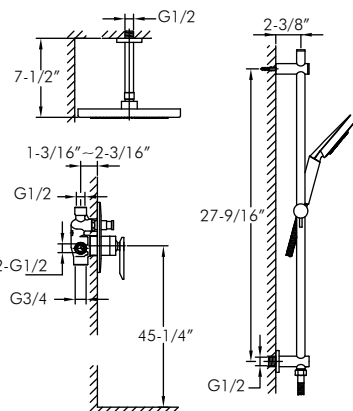


DAX-A402

FEATURES

- Three function valve
- Wall mount shower head
- Rainshower
- Waterfall
- Handshower included
- Silicone water nozzles
- Ceramic cartridge
- Valve flow rate 9.3 GPM
- Shower head flow rate 4.8 GPM
- Handshower head flow rate 5.3 GPM
- Anti-scalding protection
- Brass body
- Chrome finish

SHOWER SYSTEMS

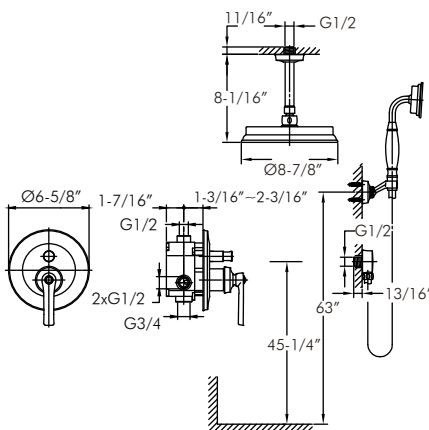


DAX-8312

FEATURES

- Two function valve
- Ceiling mount shower head
- Rainshower
- Handshower included with rail
- Silicone water nozzles
- Ceramic cartridge
- Shower head flow rate 2.4 GPM
- Handshower head flow rate 1.8 GPM
- Brass body
- Chrome finish

SHOWER SYSTEMS

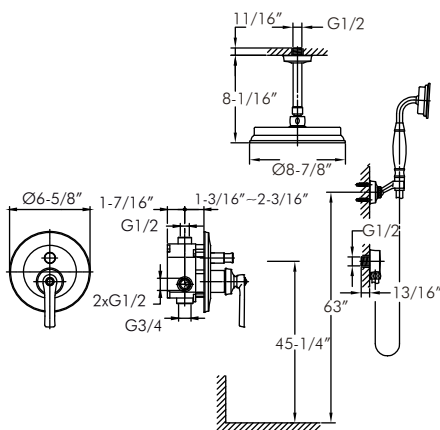


DAX-8339-CR

FEATURES

- Two function valve
- Ceiling mount shower head
- Rainshower
- Handshower included with rail
- Silicone water nozzles
- Ceramic cartridge
- Flow rate 2.0 GPM
- Brass body
- Chrome finish

SHOWER SYSTEMS

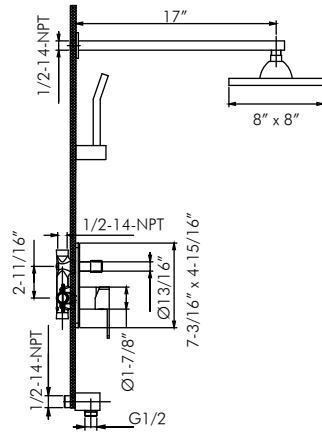


DAX-8339-ORB

FEATURES

- Two function valve
- Ceiling mount shower head
- Rainshower
- Handshower included
- Silicone water nozzles
- Ceramic cartridge
- Flow rate 2.0 GPM
- Brass body
- ORB finish

SHOWER SYSTEMS



DAX-6813B

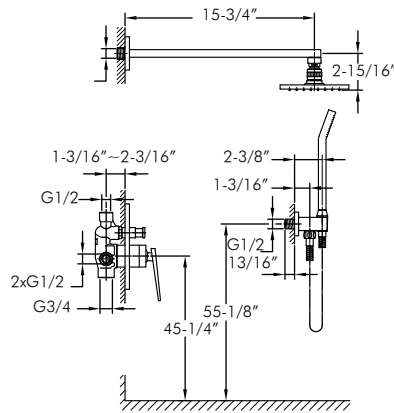
FEATURES

- Two function valve
- Wall mount shower head
- Rainshower
- Handshower included
- Silicone water nozzles
- Ceramic cartridge
- Shower head flow rate 2.5 GPM
- Handshower head flow rate 2.5 GPM
- Pressure balance valve
- Brass body

FINISH

- DAX-6813B-BN Brushed nickel
- DAX-6813B-CR Chrome

SHOWER SYSTEMS

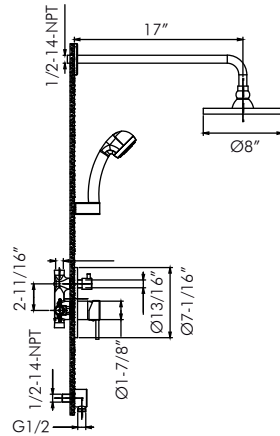


DAX-8338A

FEATURES

- Two function valve
- Wall mount shower head
- Rainshower
- Handshower included
- Silicone water nozzles
- Ceramic cartridge
- Shower head flow rate 2.4 GPM
- Handshower head flow rate 1.8 GPM
- Brass body
- Chrome finish

SHOWER SYSTEMS



DAX-6813

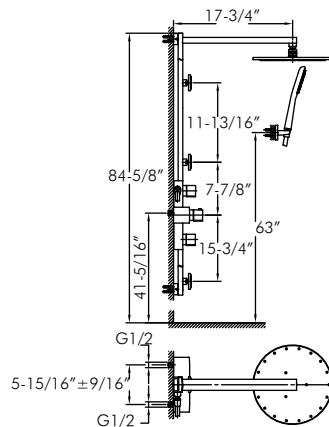
FEATURES

- Two function valve
- Wall mount shower head
- Rainshower
- Handshower included
- Silicone water nozzles
- Ceramic cartridge
- Shower head flow rate 2.5 GPM
- Handshower head flow rate 2.5 GPM
- Pressure balance valve
- Brass body

FINISH

- DAX-6813-BN Brushed nickel
- DAX-6813-CR Chrome

SHOWER SYSTEMS

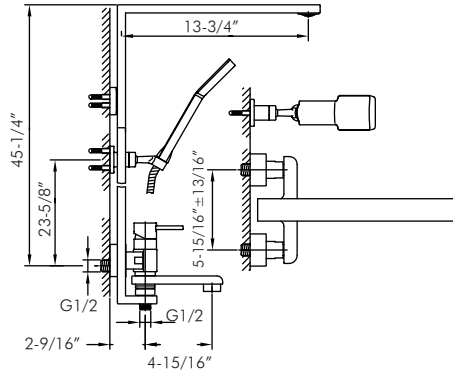


DAX-FH8452-675

FEATURES

- Three function valve
- Wall mount system
- Rainshower
- Body jets with independent control
- Handshower included
- Silicone water nozzles
- Ceramic cartridge
- Flow rate 2.0 GPM
- Thermostatic valve
- Anti-scalding protection
- Brass body
- Chrome finish

SHOWER SYSTEMS

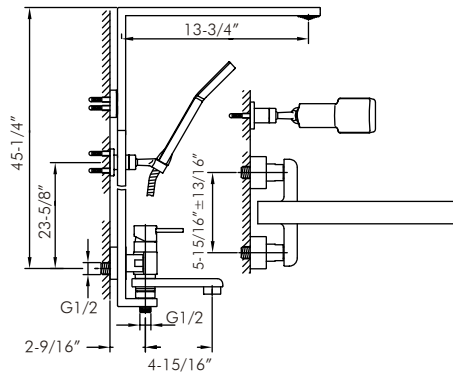


DAX-8166C-CR

FEATURES

- Three function spout diverter
- Wall mount system
- Rainshower
- Tub filler
- Handshower included
- Ceramic cartridge
- Flow rate 2.0 GPM
- Anti-scalding protection
- Brass body
- Chrome finish

SHOWER SYSTEMS

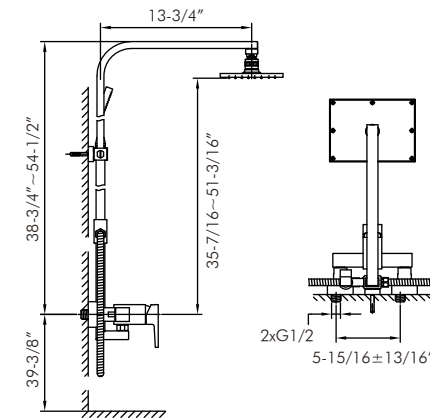


DAX-8166C-PB

FEATURES

- Three function spout diverter
- Wall mount system
- Rainshower
- Tub filler
- Handshower included
- Ceramic cartridge
- Flow rate 2.0 GPM
- Anti-scalding protection
- Brass body
- Polished black finish

SHOWER SYSTEMS

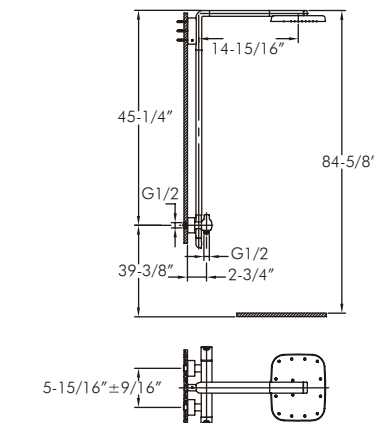


DAX-8409

FEATURES

- Three function spout diverter
- Wall mount system
- Rainshower
- Tub filler
- Handshower included
- Ceramic cartridge
- Flow rate 2.0 GPM
- Brass body
- Chrome finish

SHOWER SYSTEMS

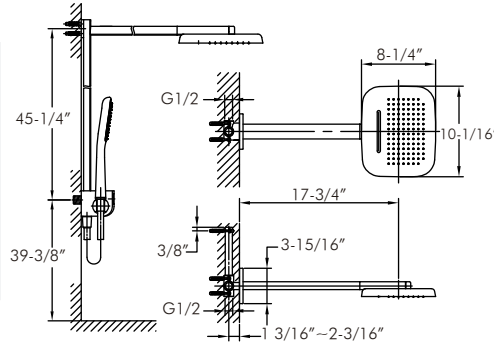


DAX-8459

FEATURES

- Three function valve
- Wall mount system
- Rainshower
- Waterfall
- Handshower included
- Ceramic cartridge
- Flow rate 2.0 GPM
- Thermostatic valve
- Anti-scalding protection
- Brass body
- Chrome finish

SHOWER SYSTEMS

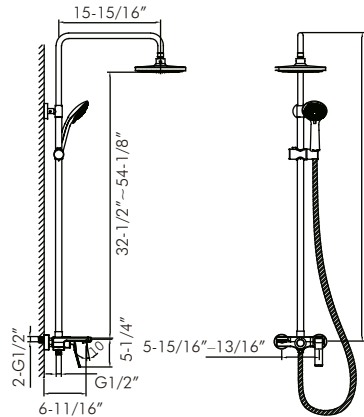


DAX-8496-CR

FEATURES

- Three function valve
- DAX ClickOn® system
- Wall mount system
- Rainshower
- Waterfall
- Handshower included
- Ceramic cartridge
- Shower head flow rate 2.32 GPM
- Handshower head flow rate 1.74 GPM
- Thermostatic valve
- Anti-scalding protection
- Brass body
- Chrome finish

SHOWER SYSTEMS

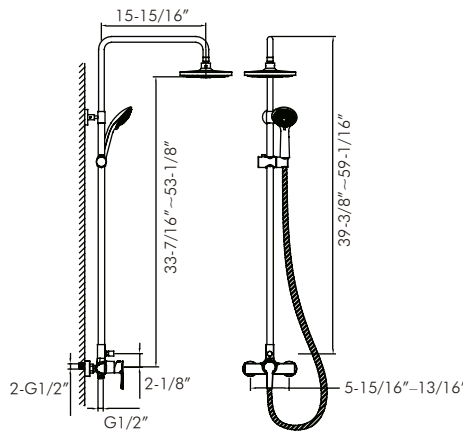


DAX-8895

FEATURES

- Wall mount system
- Rainshower
- Tub filler
- Handshower included
- Ceramic cartridge
- Valve flow rate 5.3 GPM
- Shower head flow rate 4.76 GPM
- Handshower head flow rate 3.2 GPM
- Brass body
- Chrome finish

SHOWER SYSTEMS



DAX-8897

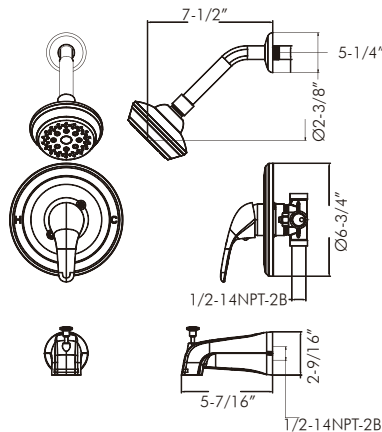
FEATURES

- Wall mount system
- Rainshower
- Handshower included
- Ceramic cartridge
- Valve flow rate 5.02 GPM
- Shower head flow rate 5.2 GPM
- Handshower head flow rate 4.23 GPM
- Brass body

FINISH

- DAX-8897-BN Brushed nickel
- DAX-8897-CR Chrome

SHOWER SYSTEMS



DAX-O511

FEATURES

- Two function valve
- Wall mount shower head
- Multi-function shower head
- Tub filler
- Ceramic cartridge
- Shower head flow rate 2.5 GPM
- Pressure balance valve
- Anti-scalding protection
- Brass body

FINISH

- DAX-O511-BN Brushed nickel
- DAX-O511-CR Chrome

DAX-R242



DAX-8897-CR



DAX-8895



DAX-FH8452-675



DAX-8338A



DAX-8897-BN



DAX-S271



DAX-8459



DAX-8409



DAX-8312



DAX-8166C-PB



DAX-0511-BN



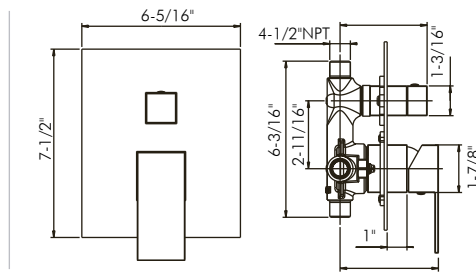
* WARRANTY DETAILS AND SPECIFICATIONS ARE AVAILABLE IN THE DOWNLOADS SECTIONS AT DAXIB.COM



13 SHOWER VALVES
SERIES



SHOWER VALVES



DAX-6973A

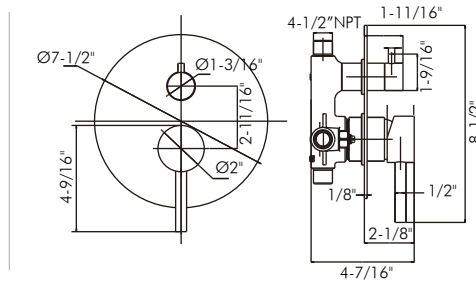
FEATURES

- Two functions
- Pressure balance
- Ceramic cartridge
- Brass body

FINISH

- DAX-6973A-BN Brushed Nickel
- DAX-6973A-CR Chrome

SHOWER VALVES



DAX-6973

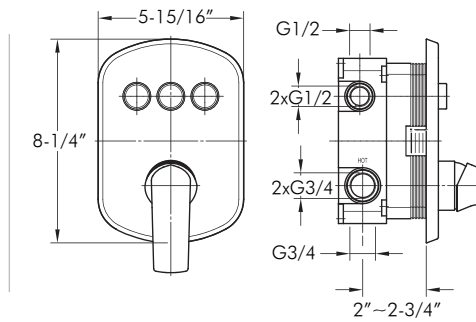
FEATURES

- Two functions
- Pressure balance
- Ceramic cartridge
- Brass body

FINISH

- DAX-6973-BN Brushed Nickel
- DAX-6973-CR Chrome

SHOWER VALVES



DAX-7301

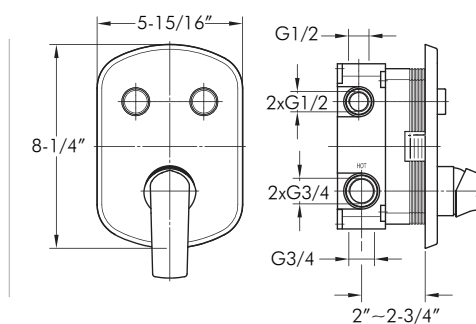
FEATURES

- Three functions
- Ceramic cartridge
- Brass body
- DAX ClickOn® system

FINISH

- DAX-7301-BN Brushed nickel
- DAX-7301-CR Chrome

SHOWER VALVES



DAX-7303

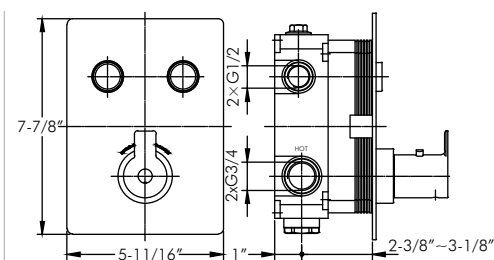
FEATURES

- Two functions
- Ceramic cartridge
- Brass body
- DAX ClickOn® system

FINISH

- DAX-7303-BN Brushed nickel
- DAX-7303-CR Chrome

SHOWER VALVES



DAX-7303A

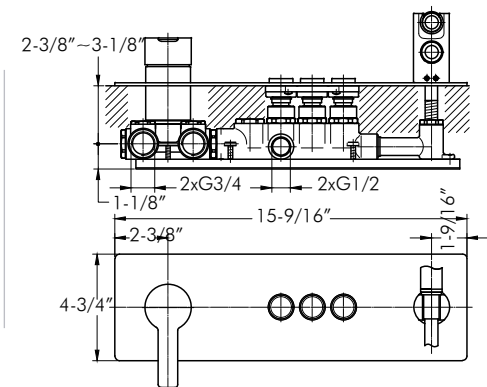
FEATURES

- Two functions
- Thermostatic
- Ceramic cartridge
- Brass body
- DAX ClickOn® system

FINISH

- DAX-7303A-BN Brushed nickel
- DAX-7303A-CR Chrome

SHOWER VALVES



DAX-7308

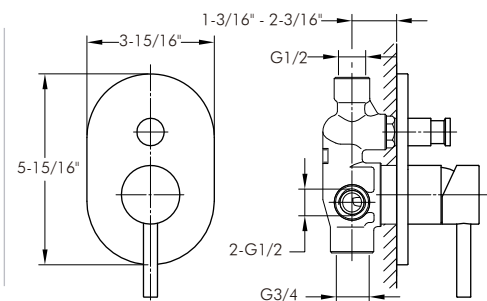
FEATURES

- Three functions
- Thermostatic
- Handshower included
- Ceramic cartridge
- Brass body
- DAX ClickOn® system

FINISH

- DAX-7308-BN Brushed nickel
- DAX-7308-CR Chrome

SHOWER VALVES

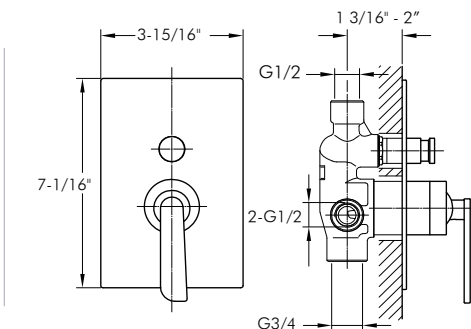


DAX-8308

FEATURES

- Two functions
- Pressure balance
- Ceramic cartridge
- Brass body
- Chrome finish

SHOWER VALVES

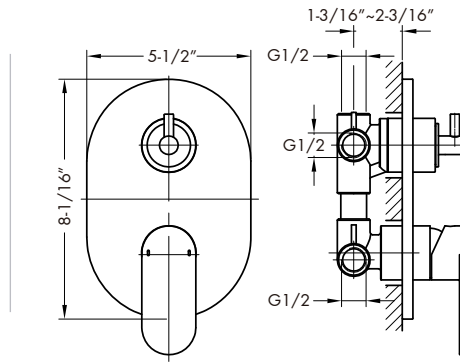


DAX-8308E

FEATURES

- Two functions
- Pressure balance
- Ceramic cartridge
- Brass body
- Chrome finish

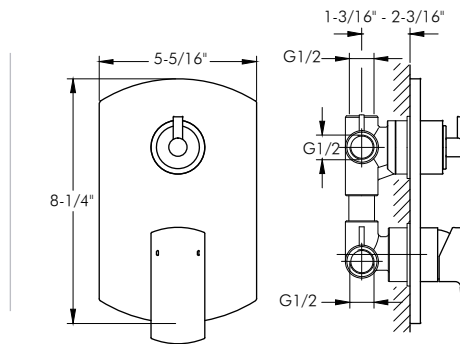
SHOWER VALVES



DAX-9903

- FEATURES**
- Three functions
 - Ceramic cartridge
 - Brass body
 - Chrome finish

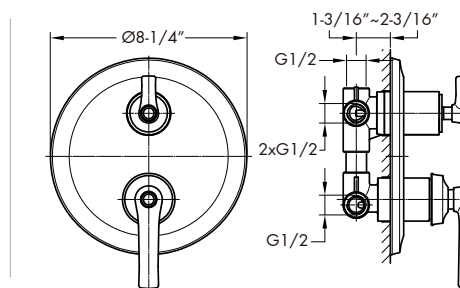
SHOWER VALVES



DAX-69903

- FEATURES**
- Three functions
 - Ceramic cartridge
 - Brass body
 - Chrome finish

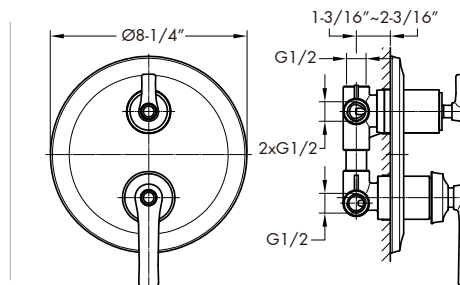
SHOWER VALVES



DAX-79903-CR

- FEATURES**
- Three functions
 - Ceramic cartridge
 - Brass body
 - Chrome finish

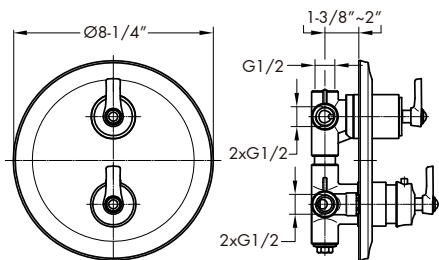
SHOWER VALVES



DAX-79903-ORB

- FEATURES**
- Three functions
 - Ceramic cartridge
 - Brass body
 - ORB finish

SHOWER VALVES

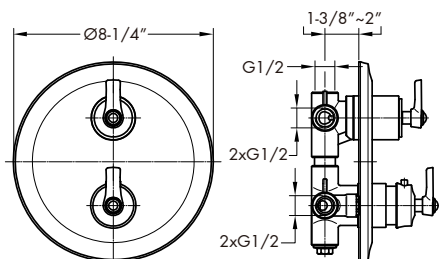


DAX-79909-CR

FEATURES

- Three functions
- Thermostatic
- Ceramic cartridge
- Brass body
- Chrome finish

SHOWER VALVES

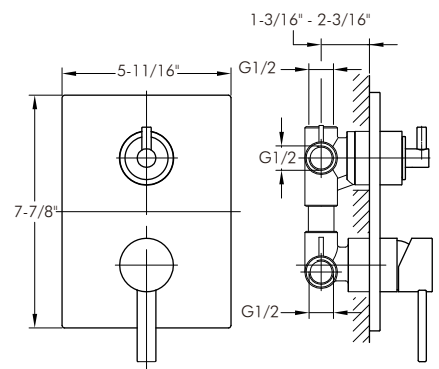


DAX-79909-ORB

FEATURES

- Three functions
- Thermostatic
- Ceramic cartridge
- Brass body
- ORB finish

SHOWER VALVES

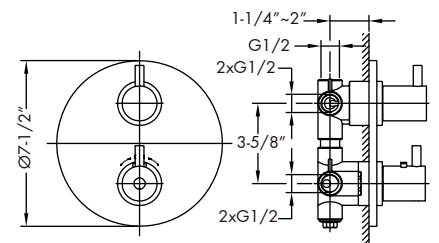


DAX-99909

FEATURES

- Three functions
- Ceramic cartridge
- Brass body
- Chrome finish

SHOWER VALVES



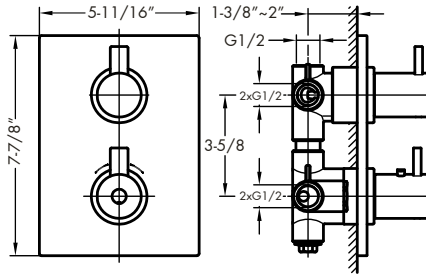
DAX-8302619

FEATURES

- Three functions
- Thermostatic
- Ceramic cartridge
- Brass body

FINISH

- DAX-8302619-BN Brushed nickel
- DAX-8302619-CR Chrome



DAX-8302631

FEATURES

- Three functions
- Thermostatic
- Ceramic cartridge
- Brass body

FINISH

- DAX-8302631-BN Brushed nickel
- DAX-8302631-BN Chrome

DAX-6973A-BN



DAX-6973A-CR



DAX-6973-BN



DAX-6973-CR



DAX-8308



DAX-8308E



DAX-9903



DAX-69903



DAX-99909



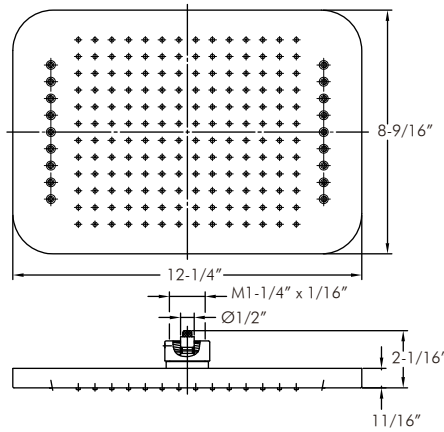
* WARRANTY DETAILS AND SPECIFICATIONS ARE AVAILABLE IN THE DOWNLOADS SECTIONS AT DAXIB.COM



14 SHOWER HEADS
SERIES



SHOWER HEADS



DAX-B16

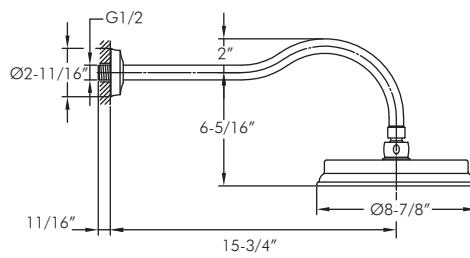
FEATURES

- Silicone Nozzles
- Brass body
- Ceiling mount
- Two functions
- Size W 12-1/4" x H 8-9/16" x D 11/16"
- Shower arm included

FINISH

- DAX-B16-CR Chrome
- DAX-B16-BN Brushed nickel

SHOWER HEADS

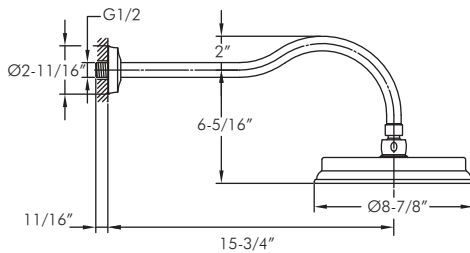


DAX-B15-CR

FEATURES

- Silicone Nozzles
- Brass body
- Size Ø 8-7/8" x D 6-5/16"
- Shower arm included
- Chrome finish

SHOWER HEADS

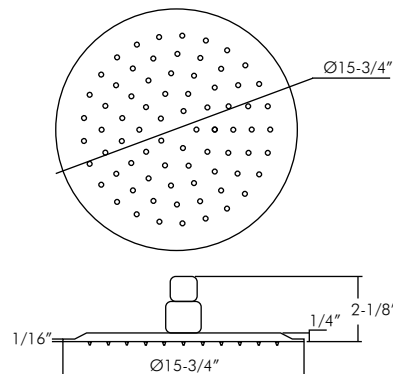


DAX-B15-ORB

FEATURES

- Silicone Nozzles
- Brass body
- Size Ø 8-7/8" x D 6-5/16"
- Shower arm included
- ORB finish

SHOWER HEADS



D-1240

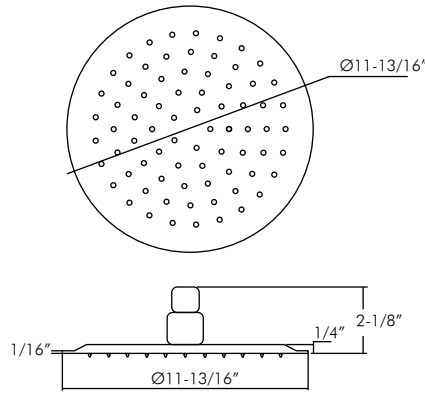
FEATURES

- Silicone Nozzles
- Stainless steel body
- Size Ø 15-3/4" x D 2-1/8"
- Shower arm not included

FINISH

- D-1240-CR Chrome
- D-1240-BN Brushed nickel

SHOWER HEADS



D-1230

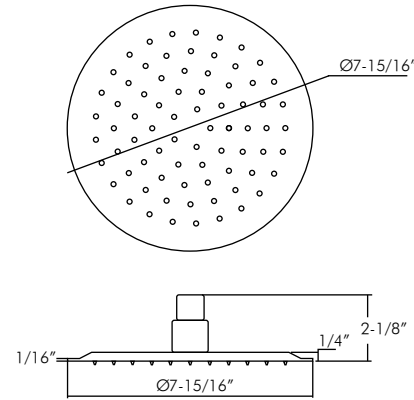
FEATURES

- Silicone Nozzles
- Stainless steel body
- Size $\text{Ø } 11\text{-}13/16\text{'}$ x D $2\text{-}1/8\text{'}$
- Shower arm not included

FINISH

- D-1230-CR Chrome
- D-1230-BN Brushed nickel

SHOWER HEADS



D-1220

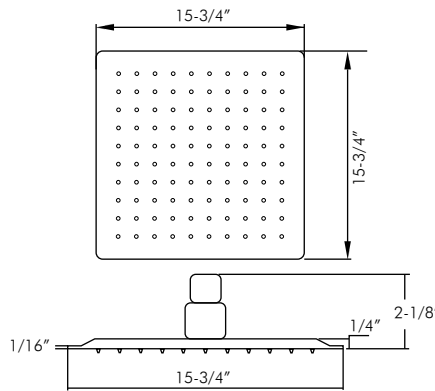
FEATURES

- Silicone Nozzles
- Stainless steel body
- Size $\text{Ø } 7\text{-}15/16\text{'}$ x D $2\text{-}1/8\text{'}$
- Shower arm not included

FINISH

- D-1220-CR Chrome
- D-1220-BN Brushed nickel

SHOWER HEADS



D-114040

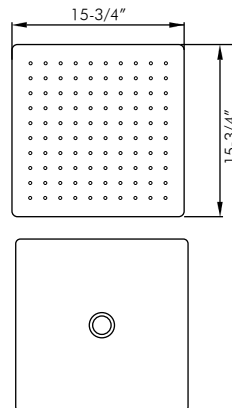
FEATURES

- Silicone Nozzles
- Stainless steel body
- Size W $15\text{-}3/4\text{'}$ x H $15\text{-}3/4\text{'}$ x D $2\text{-}1/8\text{'}$
- Shower arm not included

FINISH

- D-114040-CR Chrome
- D-114040-BN Brushed nickel

SHOWER HEADS



D-114040B

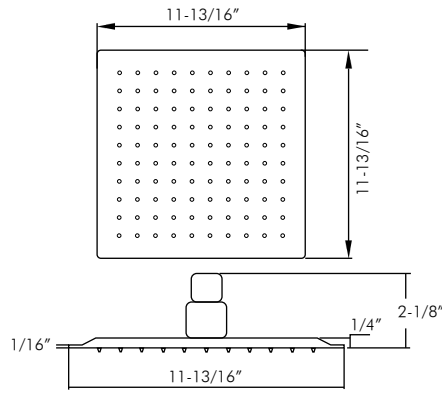
FEATURES

- Silicone Nozzles
- Stainless steel body
- Ceiling mount
- Support arms are included
- Size W $15\text{-}3/4\text{'}$ x H $15\text{-}3/4\text{'}$
- Shower arm not included

FINISH

- D-114040B-CR Chrome
- D-114040B-BN Brushed nickel

SHOWER HEADS



D-113030

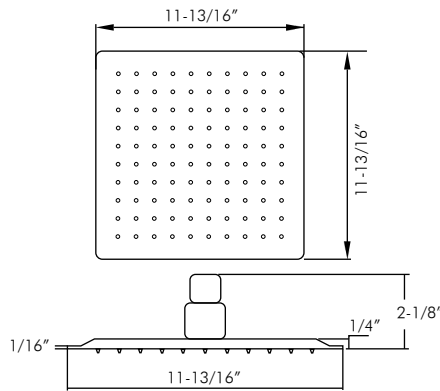
FEATURES

- Silicone Nozzles
- Stainless steel body
- Size W 11-13/16" x H 11-13/16" x D 2-1/8"
- Shower arm not included

FINISH

- D-113030-CR Chrome
- D-113030-BN Brushed nickel

SHOWER HEADS



D-113030B

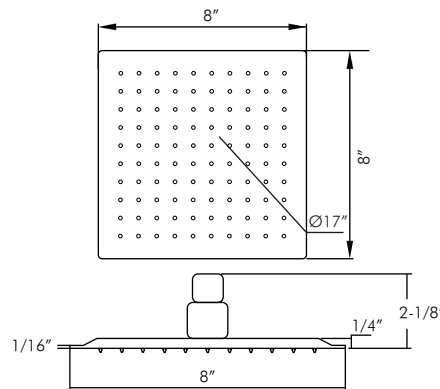
FEATURES

- Silicone Nozzles
- Stainless steel body
- Size W 11-13/16" x H 11-13/16" x D 2-1/8"
- Shower arm not included

FINISH

- D-113030B-CR Chrome
- D-113030B-BN Brushed nickel

SHOWER HEADS



D-112020S

FEATURES

- Silicone Nozzles
- Stainless steel body
- Size W 8" x H 8" x D 2-1/8"
- Shower arm not included

FINISH

- D-112020S-CR Chrome
- D-112020S-BN Brushed nickel

D-1220-BN



D-113030-CR



D-114040B-CR



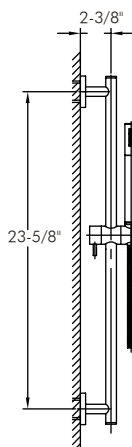
* WARRANTY DETAILS AND SPECIFICATIONS ARE AVAILABLE IN THE DOWNLOADS SECTIONS AT DAXIB.COM



15 HAND SHOWERS
SERIES



HAND SHOWERS

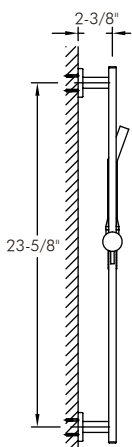


DAX-9516

FEATURES

- Brass body
- Chrome finish
- Adjustable height
- Rail included
- Hose included
- Holder included
- Water connector not included

HAND SHOWERS

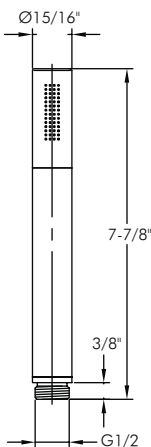


DAX-9523

FEATURES

- Brass body
- Chrome finish
- Adjustable height
- Rail included
- Hose included
- Holder included
- Water connector not included

HAND SHOWERS

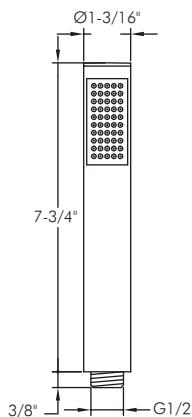


DAX-516

FEATURES

- Brass body
- Chrome finish
- Hose not included

HAND SHOWERS

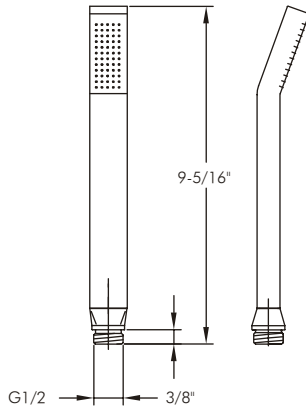


DAX-520

FEATURES

- ABS body
- Chrome finish
- Hose not included
- Silicone nozzles

HAND SHOWERS

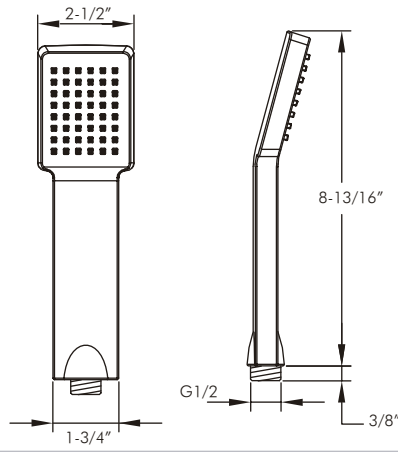


DAX-528

FEATURES

- Brass body
- Chrome finish
- Hose not included

HAND SHOWERS

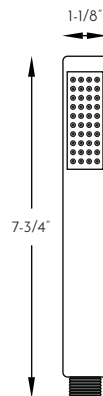


DAX-550

FEATURES

- ABS body
- Chrome finish
- Hose not included
- Silicone nozzles

HAND SHOWERS



D-HO4

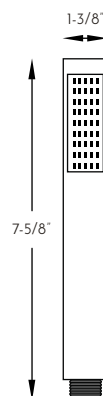
FEATURES

- ABS body
- Hose not included
- Silicone nozzles

FINISH

- D-HO4-CR Chrome
- D-HO4-BN Brushed nickel

HAND SHOWERS



D-H19

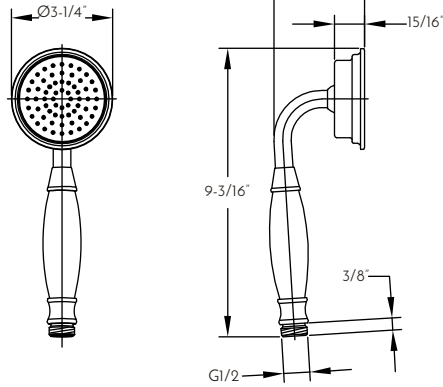
FEATURES

- ABS body
- Hose not included

FINISH

- D-H19-CR Chrome
- D-H19-BN Brushed nickel

HAND SHOWERS

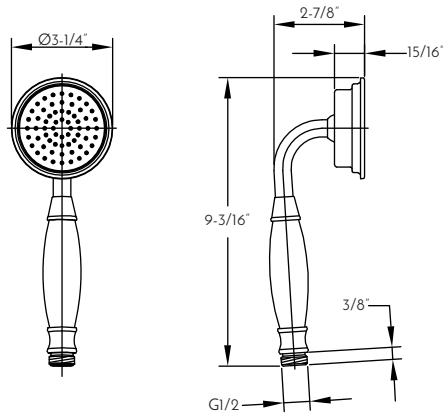


DAX-2083A-CR

FEATURES

- Brass body
- Chrome finish
- Hose included
- Holder included
- Water connector not included
- Silicone nozzles

HAND SHOWERS

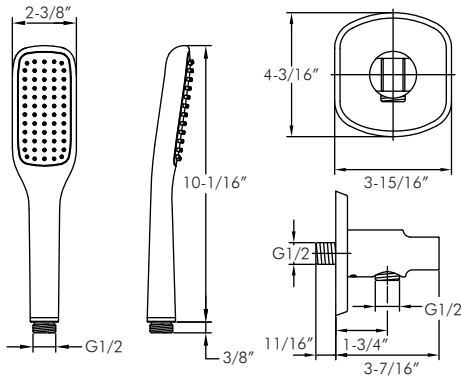


DAX-2083A-ORB

FEATURES

- Brass body
- ORB finish
- Hose included
- Holder included
- Water connector not included
- Silicone nozzles

HAND SHOWERS



DAX-8812

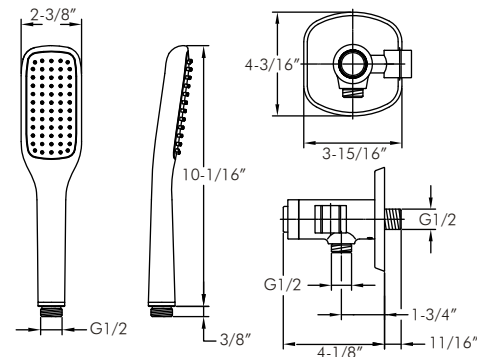
FEATURES

- ABS body
- Hose included
- Holder included
- Water connector not included
- Silicone nozzles

FINISH

- D-8812-CR Chrome
- D-8812-BN Brushed nickel

HAND SHOWERS



DAX-8817

FEATURES

- ABS body
- Hose included
- Holder included
- Water connector not included
- Silicone nozzles
- DAX ClickOn® system

FINISH

- D-8817-CR Chrome
- D-8817-BN Brushed nickel



* WARRANTY DETAILS AND SPECIFICATIONS ARE AVAILABLE IN THE DOWNLOADS SECTIONS AT DAXIB.COM

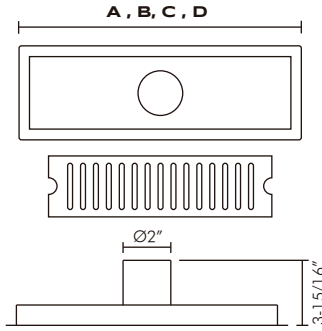




16 DRAIN SYSTEMS
SERIES



DRAIN SYSTEMS



D-R103

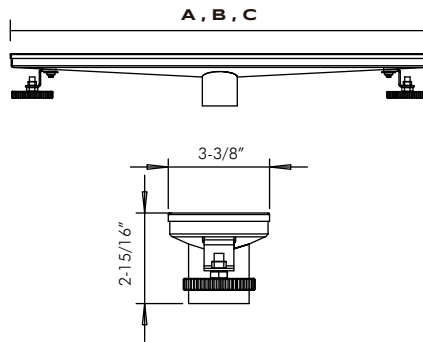
FEATURES

- Stainless steel body
- Brushed stainless steel finish

SIZES

- A** D-R103-L30 W 11-13/16" x H 3-15/16" x D 2-3/4"
- B** D-R103-L40 W 15-3/4" x H 3-15/16" x D 2-3/4"
- C** D-R103-L60 W 23-5/8" x H 3-15/16" x D 2-3/4"
- D** D-R103-L90 W 35-7/16" x H 3-15/16" x D 2-3/4"

DRAIN SYSTEMS



DR-G06

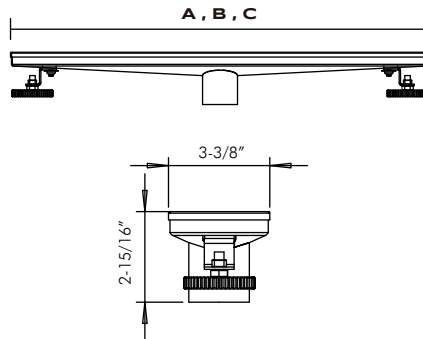
FEATURES

- Stainless steel body
- Brushed stainless steel finish

SIZES

- A** DR24-G06 W 24" x H 3-3/8" x D 2-15/16"
- B** DR36-G06 W 36" x H 3-3/8" x D 2-15/16"
- C** DR48-G06 W 48" x H 3-3/8" x D 2-15/16"

DRAIN SYSTEMS



DR-H01

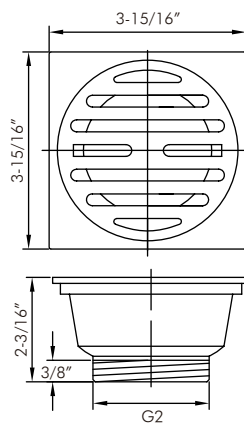
FEATURES

- Stainless steel body
- Brushed stainless steel finish

SIZES

- A** DR24-H01 W 24" x H 3-3/8" x D 2-15/16"
- B** DR36-H01 W 36" x H 3-3/8" x D 2-15/16"
- C** DR48-H01 W 48" x H 3-3/8" x D 2-15/16"

DRAIN SYSTEMS

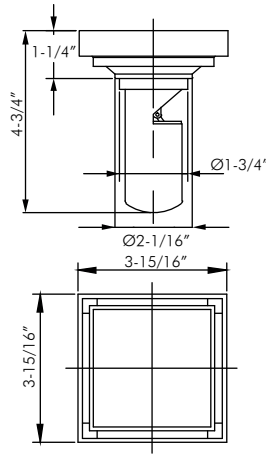


DAX-3003-CR

FEATURES

- Brass body
- Chrome finish
- Size W 3-15/16" x H 3-15/16" x D 2-3/16"

DRAIN SYSTEMS

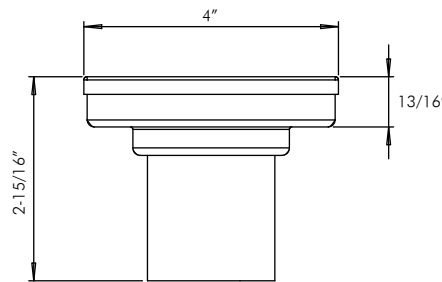


DAX-3011-CR

FEATURES

- Brass body
- Chrome finish
- Size W 3-15/16" x H 3-15/16" x D 4-3/4"

DRAIN SYSTEMS



ZS3S01

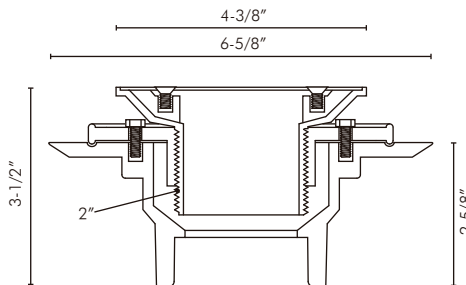
FEATURES

- Stainless steel body
- Size W 4" x H 4" x D 2-15/16"

FINISH

- ZS3S01BSS Brushed stainless steel
- ZS3S01CR Chrome

DRAIN SYSTEMS

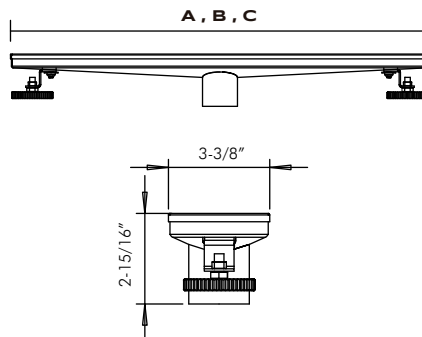


821-T200P

FEATURES

- Stainless steel body
- Brushed stainless steel finish
- Size Ø 6-5/8" x D 3-1/2"

DRAIN SYSTEMS



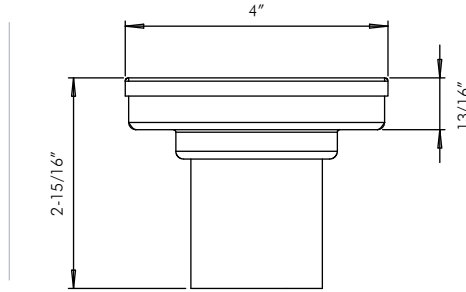
RTO1

FEATURES

- Stainless steel body
- Brushed stainless steel finish

SIZES

- A** RTO124 W 24" x H 3-3/8" x D 2-15/16"
- B** RTO136 W 36" x H 3-3/8" x D 2-15/16"
- C** RTO148 W 48" x H 3-3/8" x D 2-15/16"



RTZS3T01

FEATURES

- Stainless steel body
- Brushed stainless steel finish
- Size W 4" x H 4" x D 2-15/16"

DAX-3003-CR



D-R103-L30



DAX-3011-CR



D-R103-L60



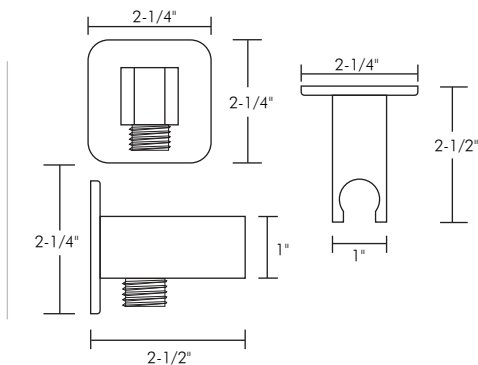
* WARRANTY DETAILS AND SPECIFICATIONS ARE AVAILABLE IN THE DOWNLOADS SECTIONS AT DAXIB.COM



17 SHOWER
ACCESSORIES SERIES



HAND SHOWER HOLDERS



DAX-D-B51

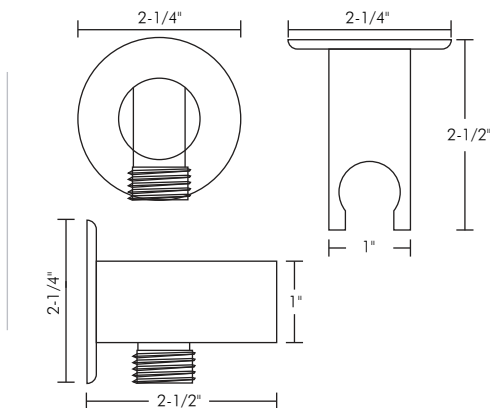
FEATURES

- Handshower holder
- Brass body
- Water connection

FINISH

- DAX-D-B51-CR Chrome
- DAX-D-B51-BN Brushed nickel

HAND SHOWER HOLDERS



DAX-D-B52

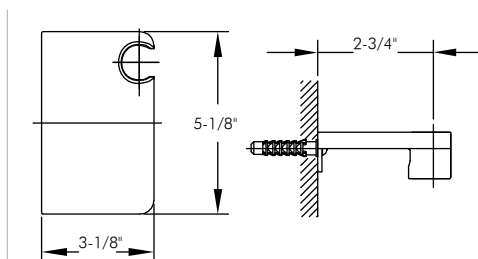
FEATURES

- Handshower holder
- Brass body
- Water connection

FINISH

- DAX-D-B52-CR Chrome
- DAX-D-B52-BN Brushed nickel

HAND SHOWER HOLDERS

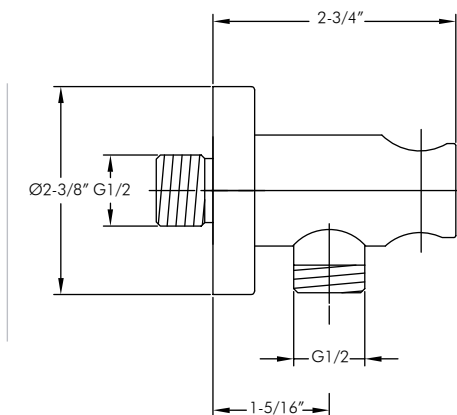


DAX-8816

FEATURES

- Handshower holder
- Brass body
- Chrome finish

HAND SHOWER HOLDERS

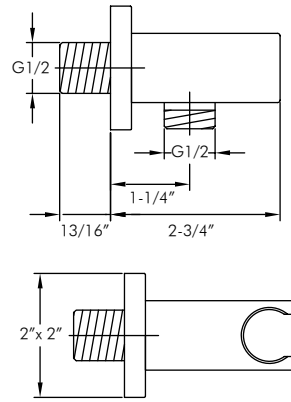


DAX-8873

FEATURES

- Handshower holder
- Brass body
- Chrome finish

HAND SHOWER HOLDERS

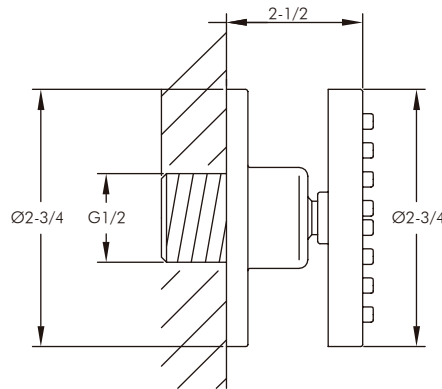


DAX-8876

FEATURES

- Handshower holder
- Brass body
- Chrome finish

SHOWER BODY SPRAYERS

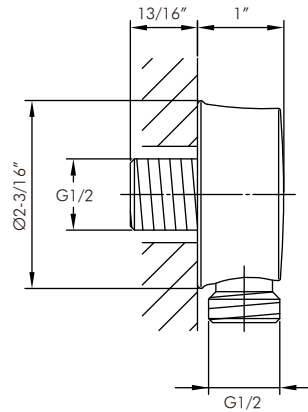


DAX-FHS27

FEATURES

- Body sprayer
- Brass body
- Chrome finish
- Silicone Nozzles

SHOWER ELBOWS

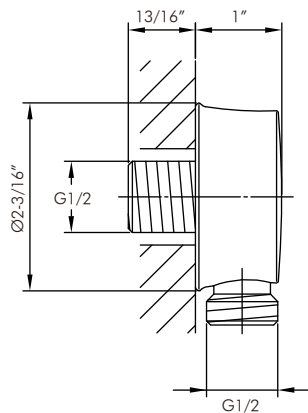


DAX-8810-CR

FEATURES

- Water line connector
- Brass body
- Water connection
- Chrome finish

SHOWER ELBOWS

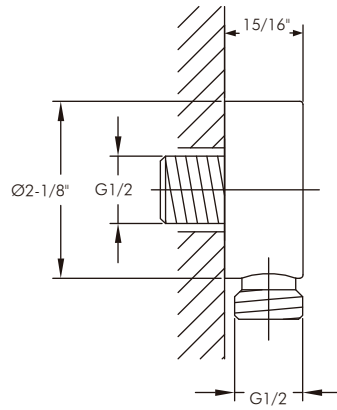


DAX-8810-ORB

FEATURES

- Water line connector
- Brass body
- Water connection
- ORB finish

SHOWER ELBOWS

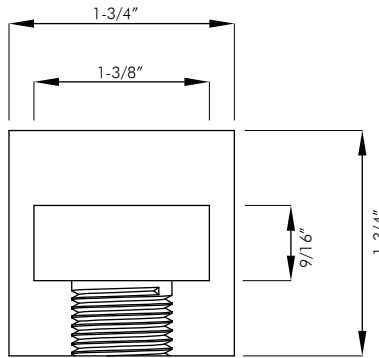


DAX-2085B

FEATURES

- Water line connector
- Brass body
- Water connection
- Chrome finish

SHOWER ELBOWS

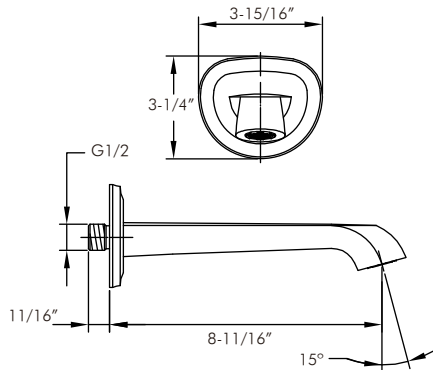


DAX-CZ005

FEATURES

- Water line connector
- Brass body
- Water connection
- Chrome finish

BATHTUB SPOUTS

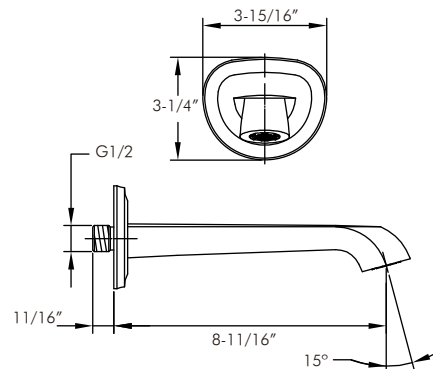


DAX-Z27-CR

FEATURES

- Tub Filler Spout
- Brass body
- Chrome finish

BATHTUB SPOUTS

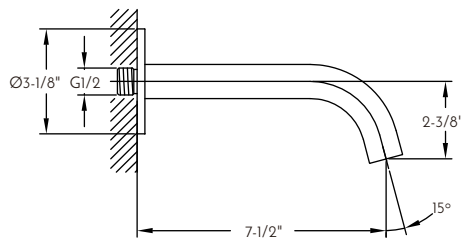


DAX-Z27-ORB

FEATURES

- Tub Filler Spout
- Brass body
- ORB finish

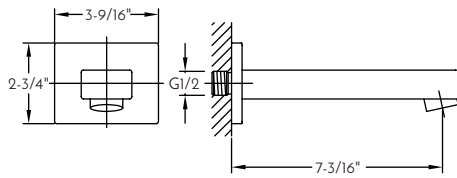
BATHTUB SPOUTS



DAX-Z08B

- FEATURES**
- Tub Filler Spout
 - Brass body
 - Chrome finish

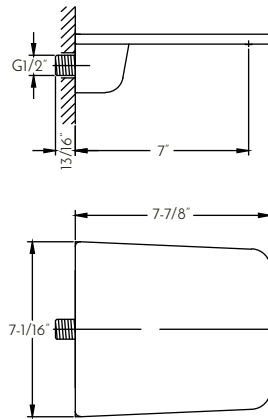
BATHTUB SPOUTS



DAX-Z11

- FEATURES**
- Tub Filler Spout
 - Brass body
 - Chrome finish

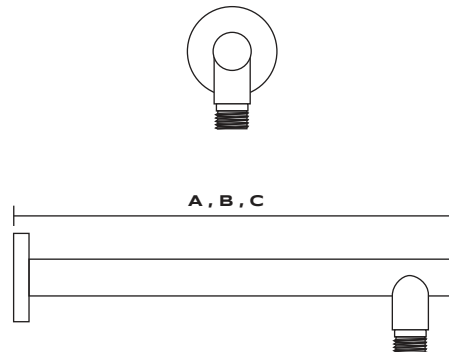
BATHTUB SPOUTS



D-Z25

- FEATURES**
- Tub Filler Spout
 - Brass body
 - Chrome finish

SHOWER ARMS



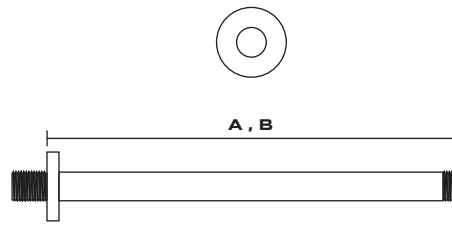
D-FO4

- FEATURES**
- Shower arm
 - Brass body

- SIZES**
- A** D-FO4-12 Length 12"
 - B** D-FO4-15 Length 15"
 - C** D-FO4-18 Length 18"

- FINISH**
- D-FO4-12-CR Chrome
 - D-FO4-12-BN Brushed nickel
 - D-FO4-15-CR Chrome
 - D-FO4-15-BN Brushed nickel
 - D-FO4-18-CR Chrome
 - D-FO4-18-BN Brushed nickel

SHOWER ARMS



D-F18

FEATURES

- Ceiling shower arm
- Brass body

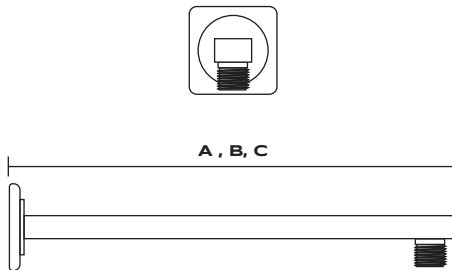
SIZES

- A** D-F18-8 Length 8"
- B** D-F18-12 Length 12"

FINISH

- DAX-F18-8-CR Chrome
- DAX-F18-8-BN Brushed nickel
- DAX-F18-12-CR Chrome
- DAX-F18-12-BN Brushed nickel

SHOWER ARMS



D-F20

FEATURES

- Shower arm
- Brass body

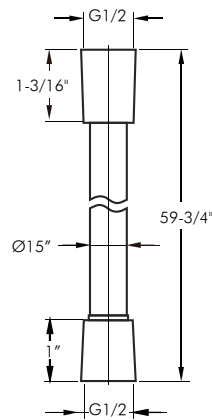
SIZES

- A** DAX-F20-12 Length 12"
- B** DAX-F20-15 Length 15"
- C** DAX-F20-18 Length 18"

FINISH

- DAX-F20-12-CR Chrome
- DAX-F20-12-BN Brushed nickel
- DAX-F20-15-CR Chrome
- DAX-F20-15-BN Brushed nickel
- DAX-F20-18-CR Chrome
- DAX-F20-18-BN Brushed nickel

HAND SHOWER HOSES

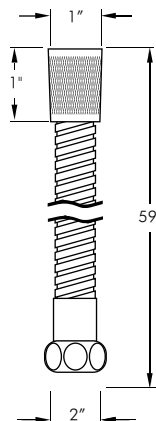


D-8861B

FEATURES

- Handshower hose
- Rubber body
- Standard connection
- Chrome finish

HAND SHOWER HOSES



D-H34

FEATURES

- Handshower hose
- Metal body
- Standard connection

FINISH

- D-H34-CR Chrome
- D-H34-BN Brushed nickel



* WARRANTY DETAILS AND SPECIFICATIONS ARE AVAILABLE IN THE DOWNLOADS SECTIONS AT DAXIB.COM

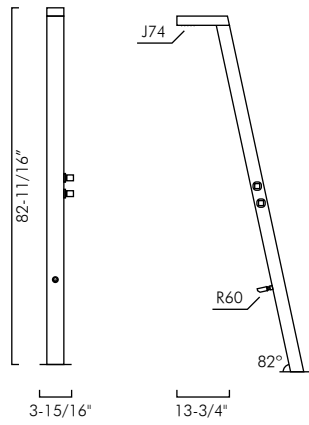




18 OUTDOOR SHOWERS
SERIES



OUTDOOR SHOWERS



DAX-S307

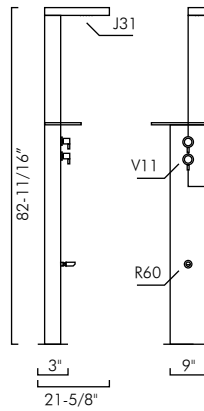
FEATURES

- Stainless steel body
- Rainshower
- Dual function
- Wooden base not included

FINISH

- DAX-S307-CR Chrome
- DAX-S307-BN Brushed nickel

OUTDOOR SHOWERS



DAX-S308

FEATURES

- Stainless steel body
- Rainshower
- Dual function
- Wooden base not included

FINISH

- DAX-S308-CR Chrome
- DAX-S308-BN Brushed nickel

DAX-S307



DAX-S308

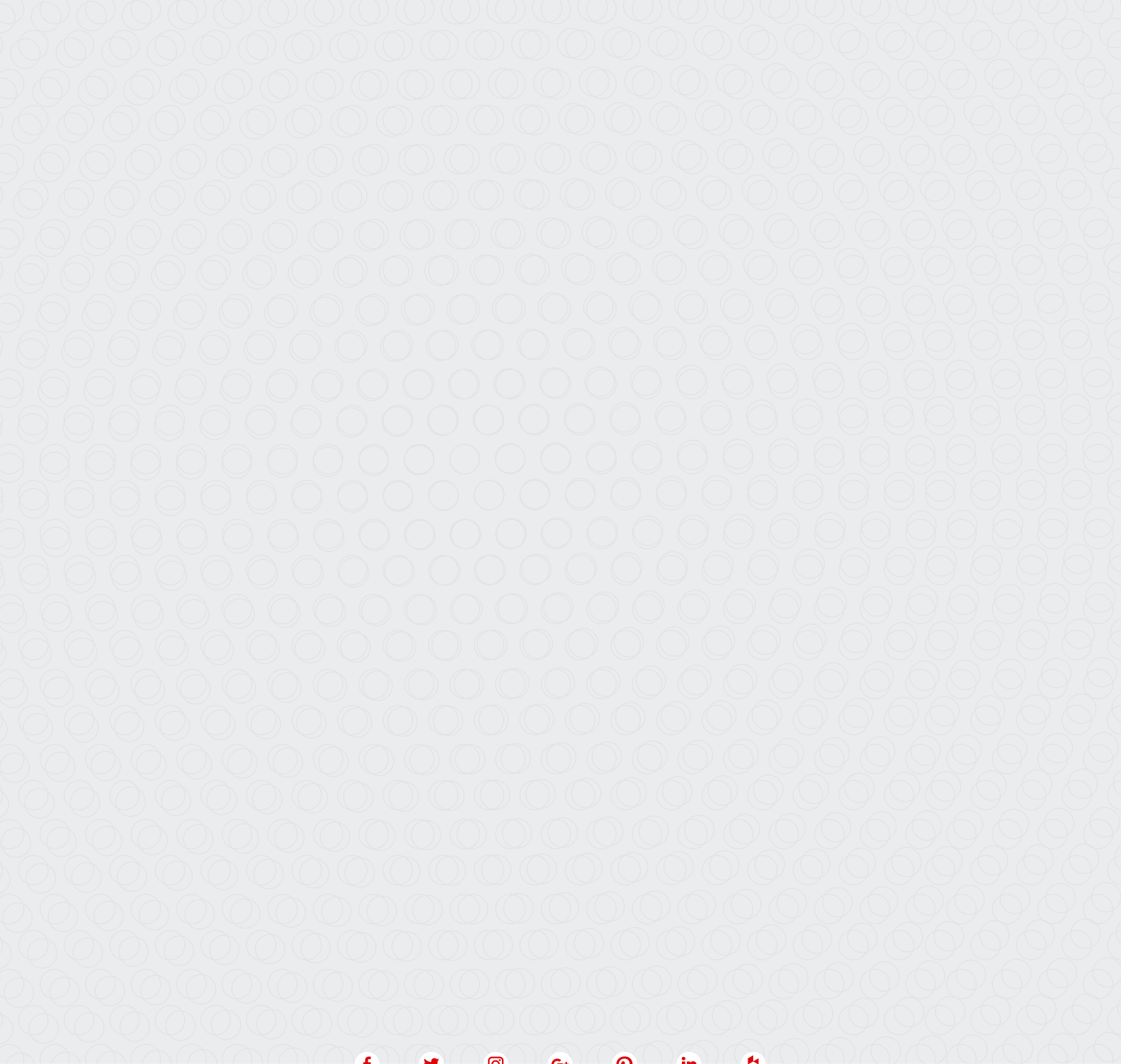


* WARRANTY DETAILS AND SPECIFICATIONS ARE AVAILABLE IN THE DOWNLOADS SECTIONS AT DAXIB.COM

WELCOME

TO YOUR NEW HOME,

WELCOME TO **DAX**



DAX INTERNATIONAL

HEADQUARTER

8600 NW S. River Drive
Suite 7, Medley, FL 33166.

HIALEAH

3199 W 80th Street, Miami,
FL 33018 - USA.

AVENTURA

2189 NE 163 st, North Miami
Beach, FL 33162 - USA.

WAREHOUSE

8820 NW 77th Ct , Medley,
FL 33166 - USA.

CONTACT US

Phone: +1 (888) 685-8236
Fax: (786) 442-3050

These measurements are subject to change or cancellation. No responsibility assumed for use suspended or voided pages. Due to the printing process. The actual products may differ from those pictured. For true matching purposes please refer to sanitare ware chip sample.

w w w . d a x i b . c o m