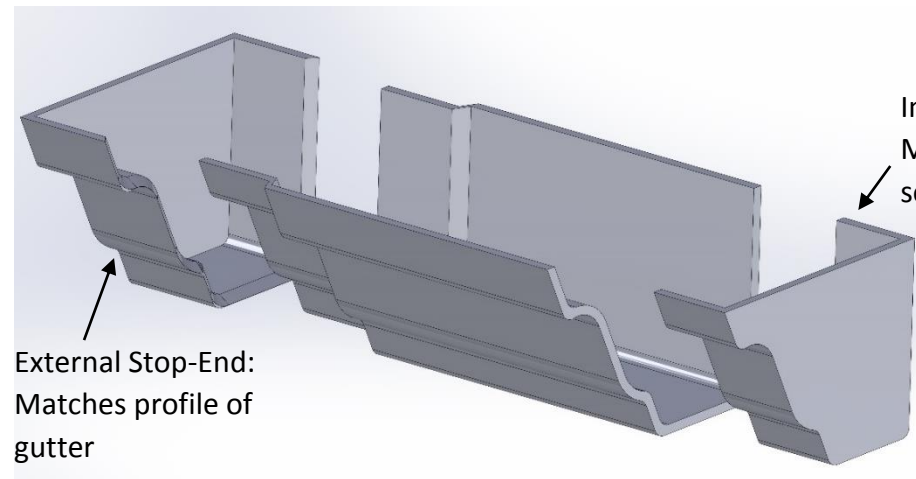
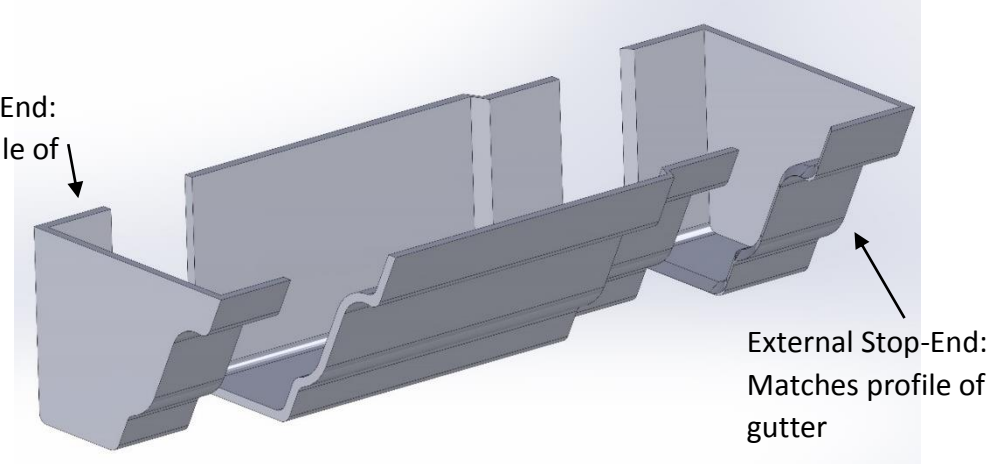


Guidance Document – Gutter angle & Socket Classification

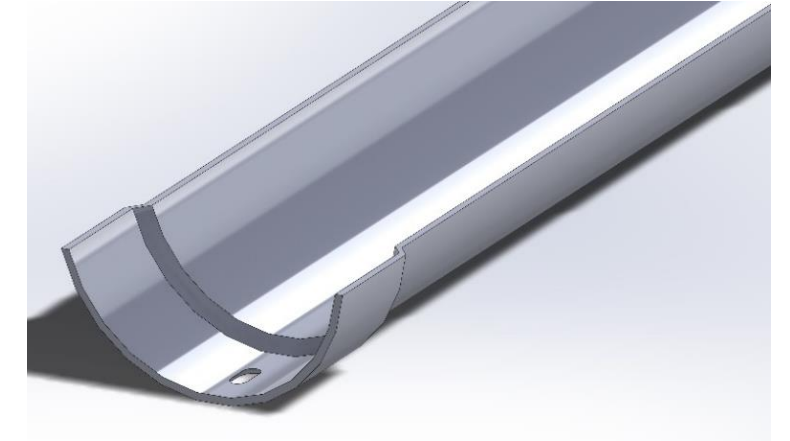
Gutter Sockets



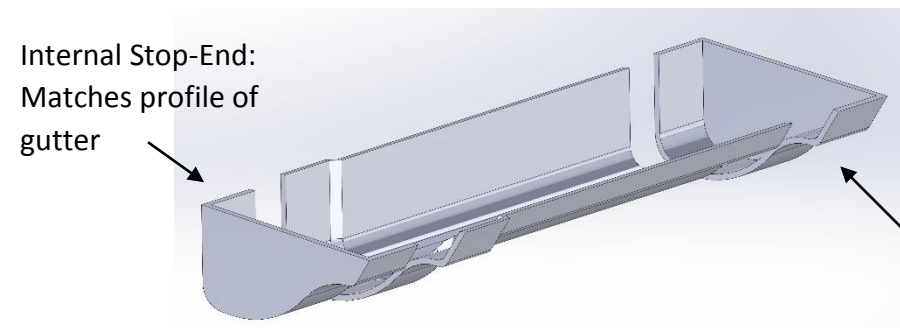
Internal left hand Socket



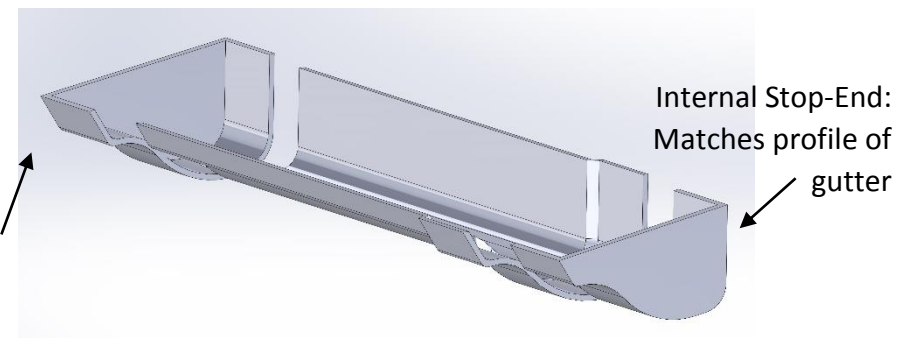
Internal right hand Socket



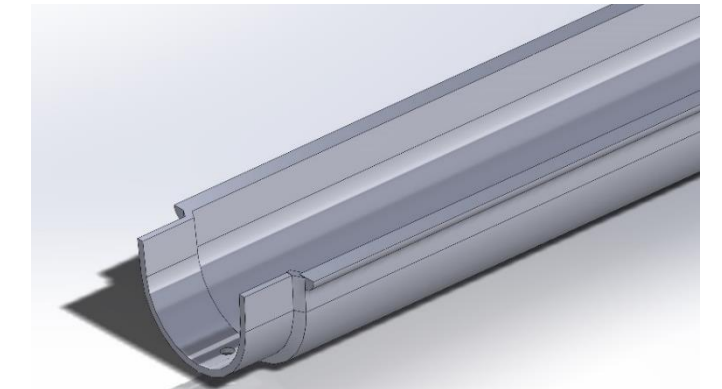
Universal External Socket



External left hand Socket

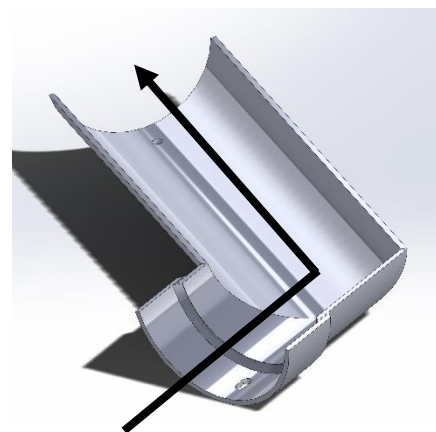


External right hand Socket



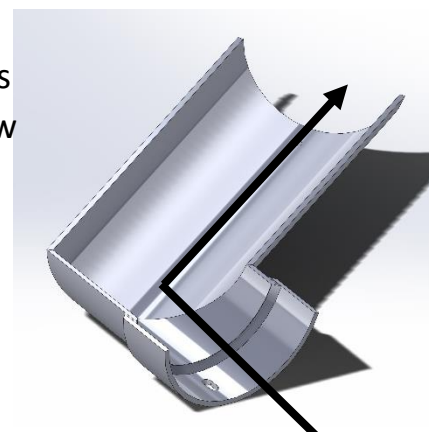
Universal Internal Socket

Angles – Profiled Gutters

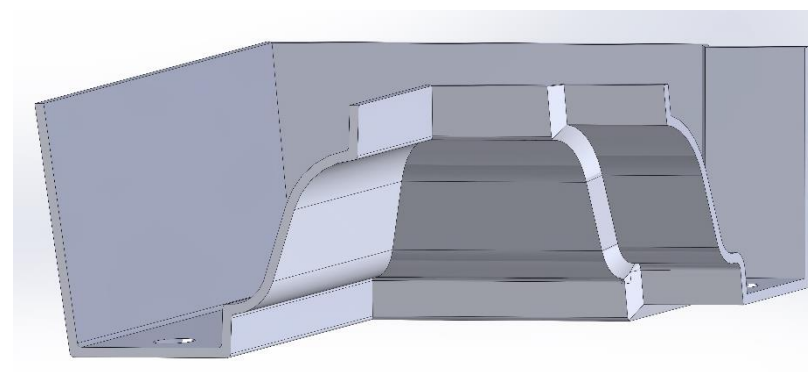


Left Hand Angle

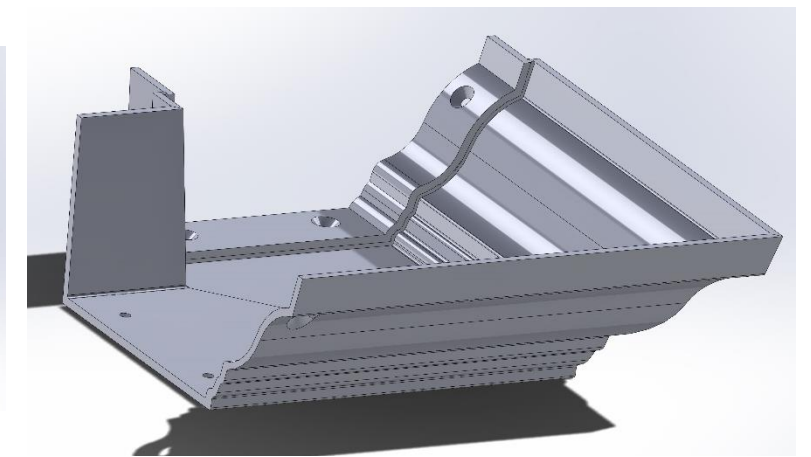
Arrow indicates direction of flow



Right Hand Angle



Internal Angle



External Angle

NOTE: When cutting gutters for short lengths, before cutting, ensure the stop-end size and profile orientation matches the open end of the cut gutter