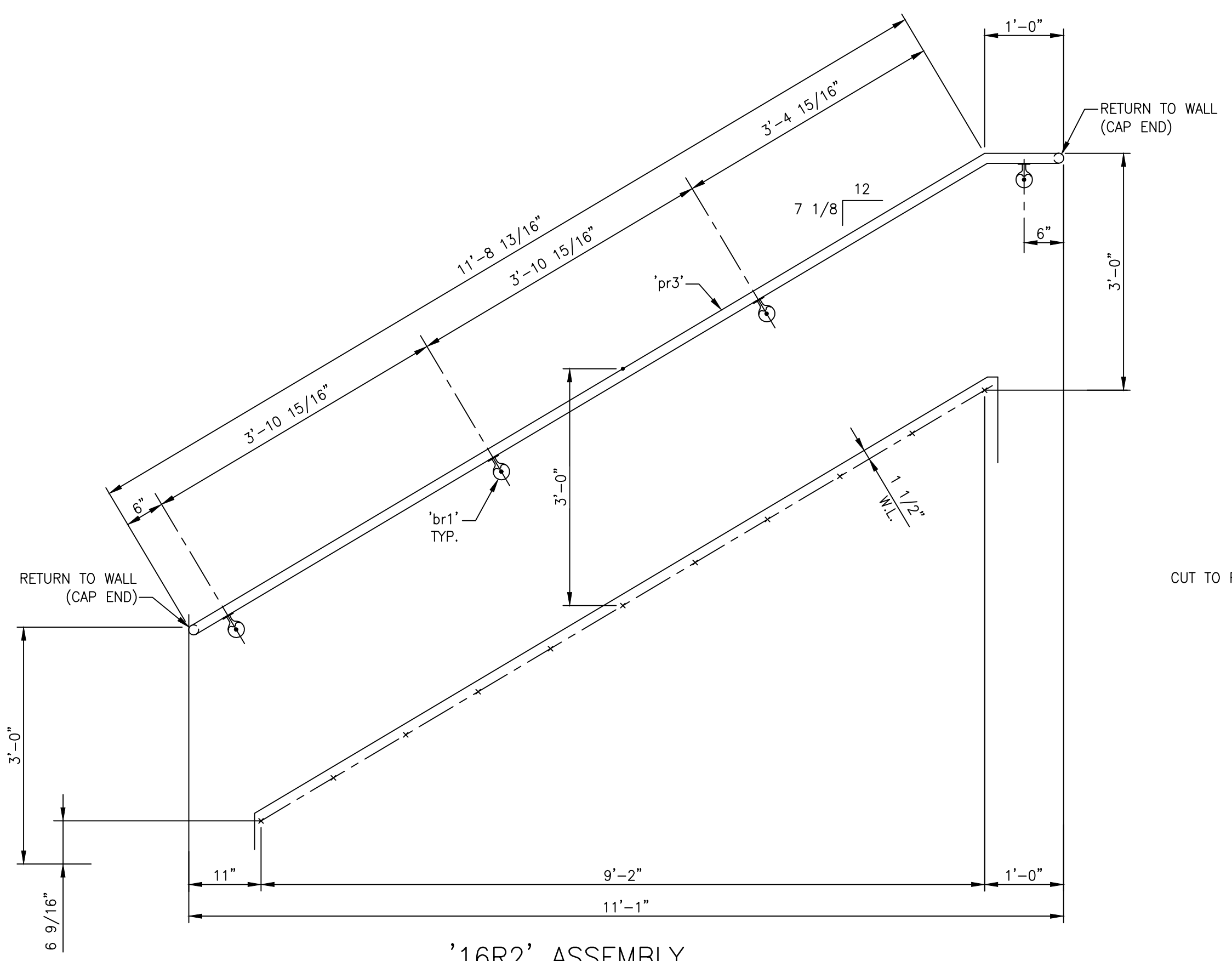
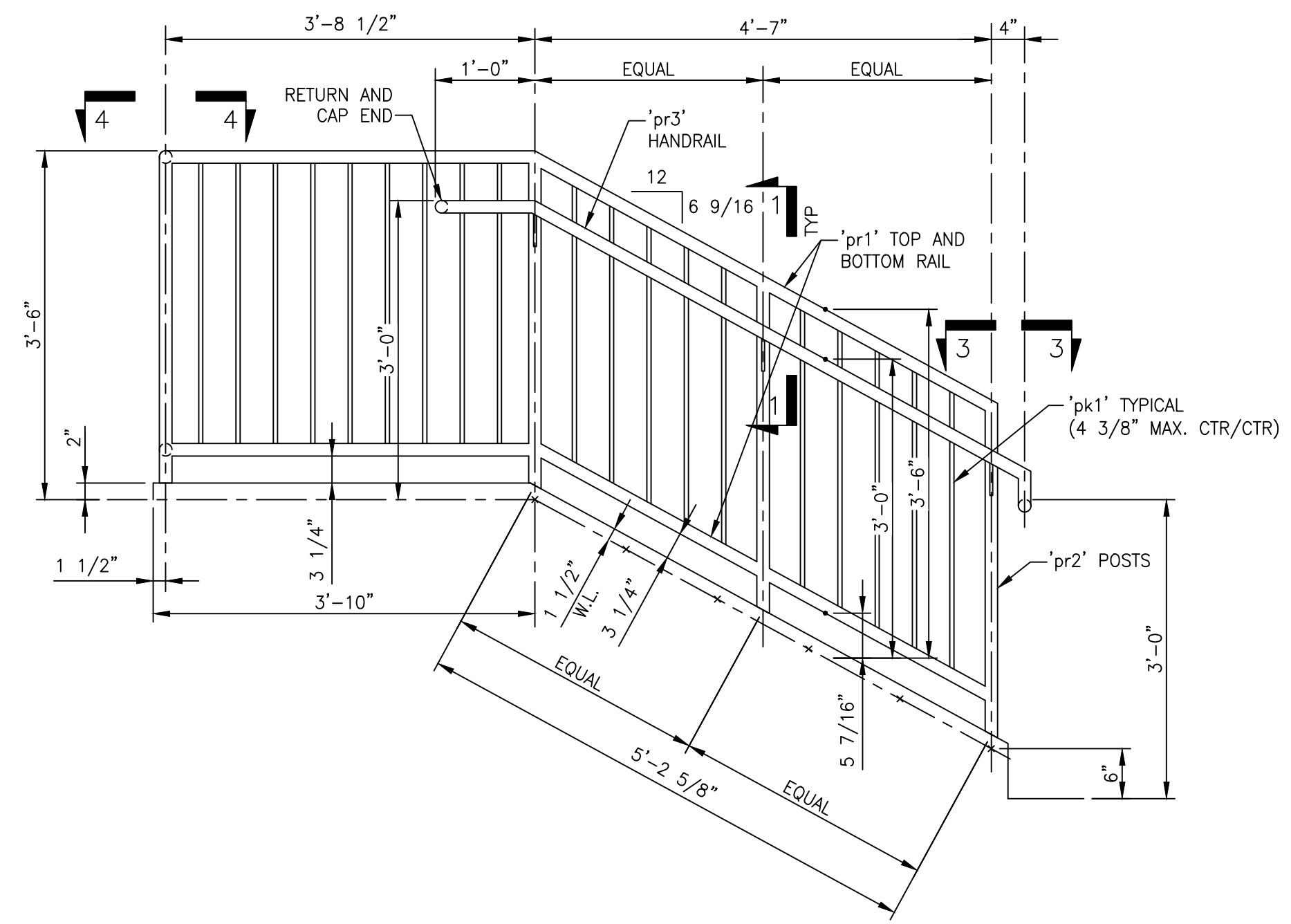


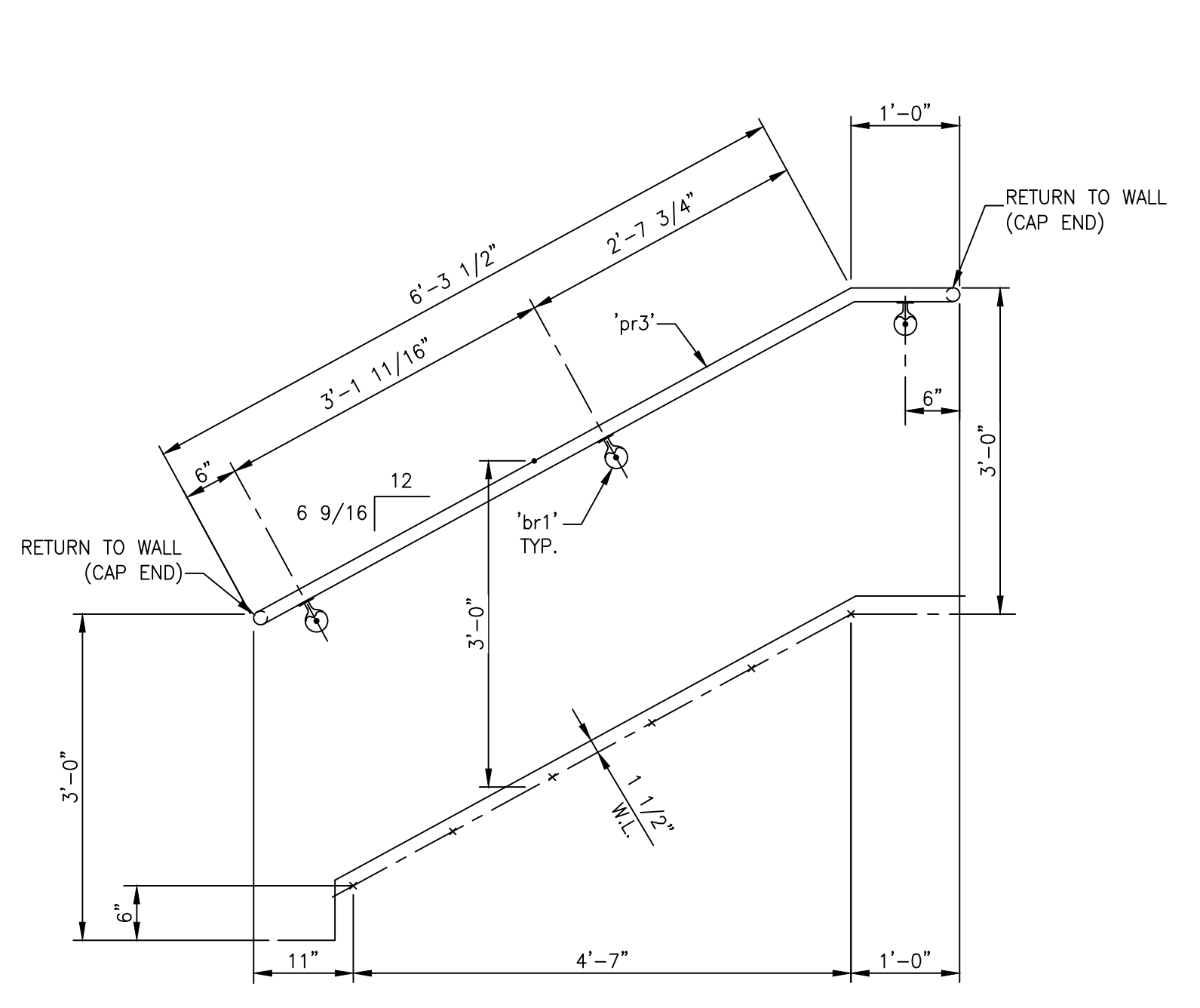
'16R1' ASSEMBLY
SCALE: 3/4"=1'-0"



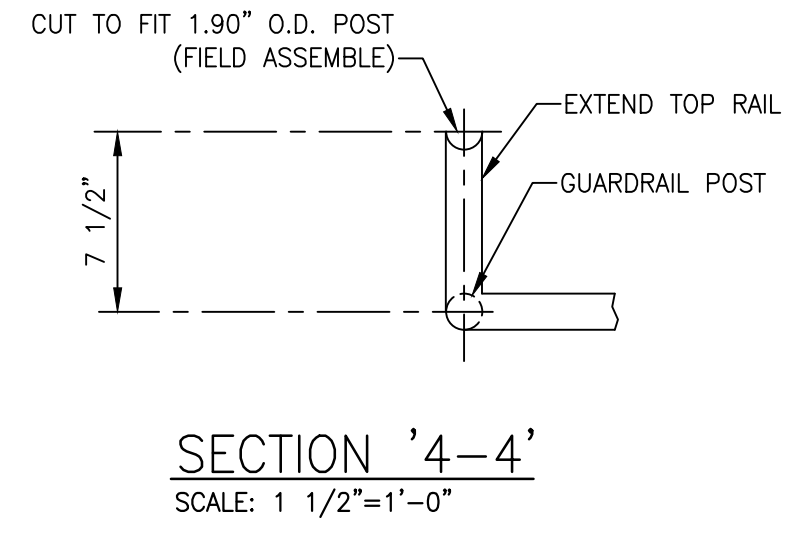
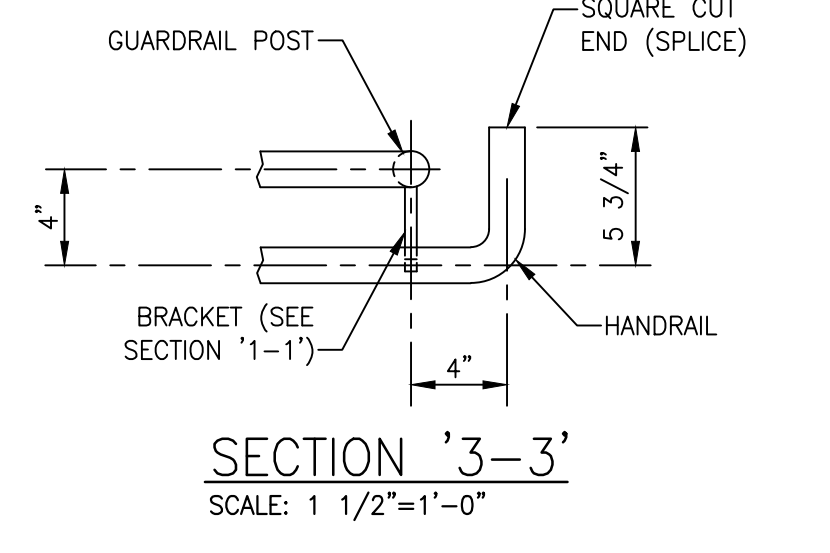
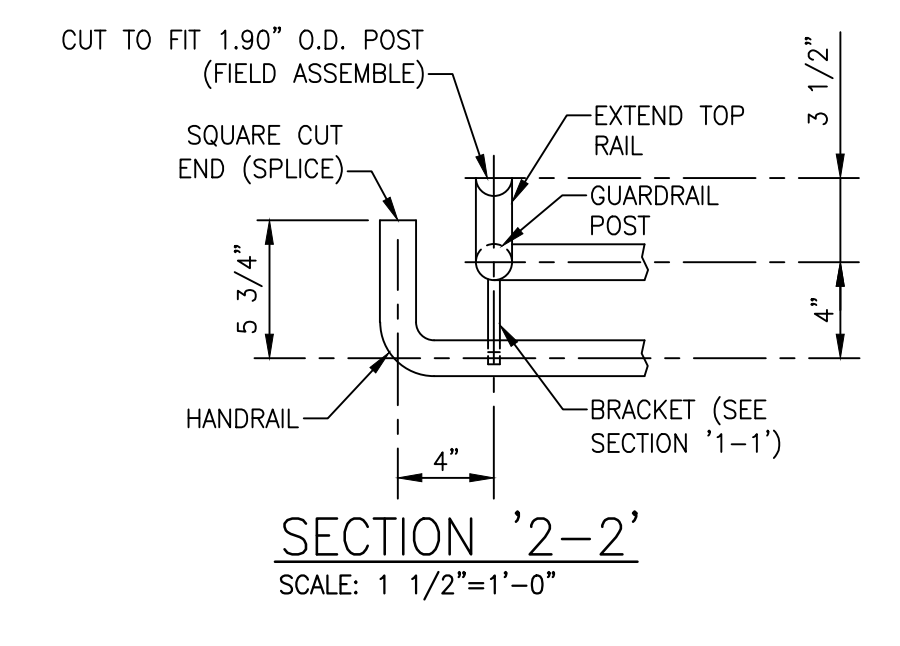
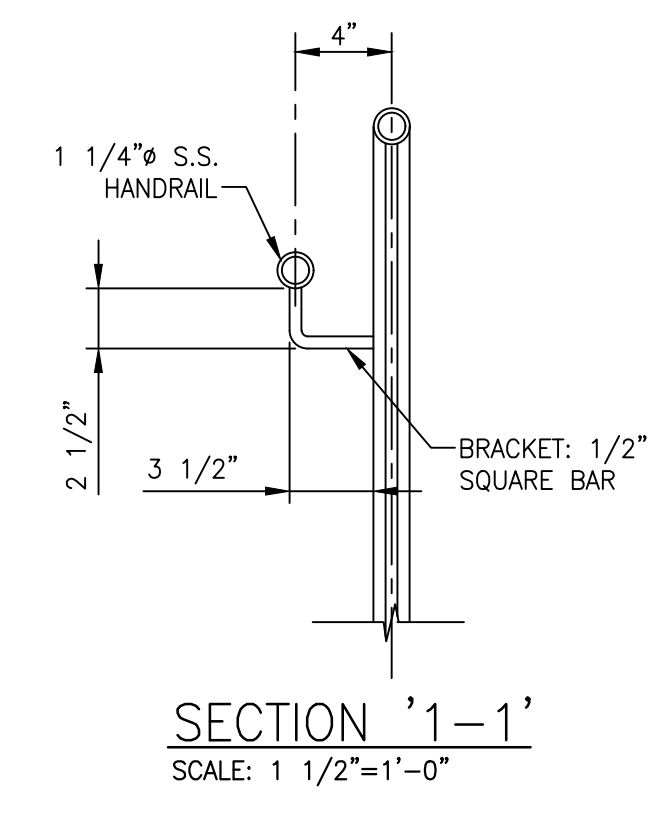
'16R2' ASSEMBLY
SCALE: 3/4"=1'-0"



'16R3' ASSEMBLY
SCALE: 3/4"=1'-0"



'16R4' ASSEMBLY
SCALE: 3/4"=1'-0"



BILL OF MATERIAL

MK	PK	MK	QTY	SHAPE	FT	IN	REMARK
STAIR - ONE REQUIRED							
16R1		ONE					
	pr1	LF		STEEL PIPE 1 1/2" (SCH 40)	22±		
	pr2	LF		STEEL PIPE 1 1/2" (SCH 80)	14±		
	pr3	LF		S.S. PIPE 1 1/4" (SCH 40)	15±		
	pk1	LF		SQUARE BAR 1/2"x1/2"	76±		
16R2		ONE					
	pr3	LF		S.S. PIPE 1 1/4" (SCH 40)	13±		
	br1		4	WALL BRACKET (WAGNER)			
16R3		ONE					
	pr1	LF			19±		
	pr2	LF			14±		
	pr3	LF			8±		
	pk1	LF			58±		
16R4		ONE					
	pr3	LF			8±		
	br1		3				

NOTE: QUANTITY SHOWN ARE PER EACH ASSEMBLY

CUSTOMER			LOCATION			JOB NO		
PROJECT								
DESCRIPTION								
SCALE			DRAWN BY			DATE		
REV			DATE			REVISION		
CHECKED BY			DATE			DWG NO		