

283.9 0 141.95 283.9 Feet  
 WGS\_1984\_Web\_Mercator\_Auxiliary\_Sphere  
 © Weld County Colorado  
 This map is a user generated static output from an Internet mapping site and is for reference only. Data layers that appear on this map may or may not be accurate, current, or otherwise reliable.  
 THIS MAP IS NOT TO BE USED FOR NAVIGATION

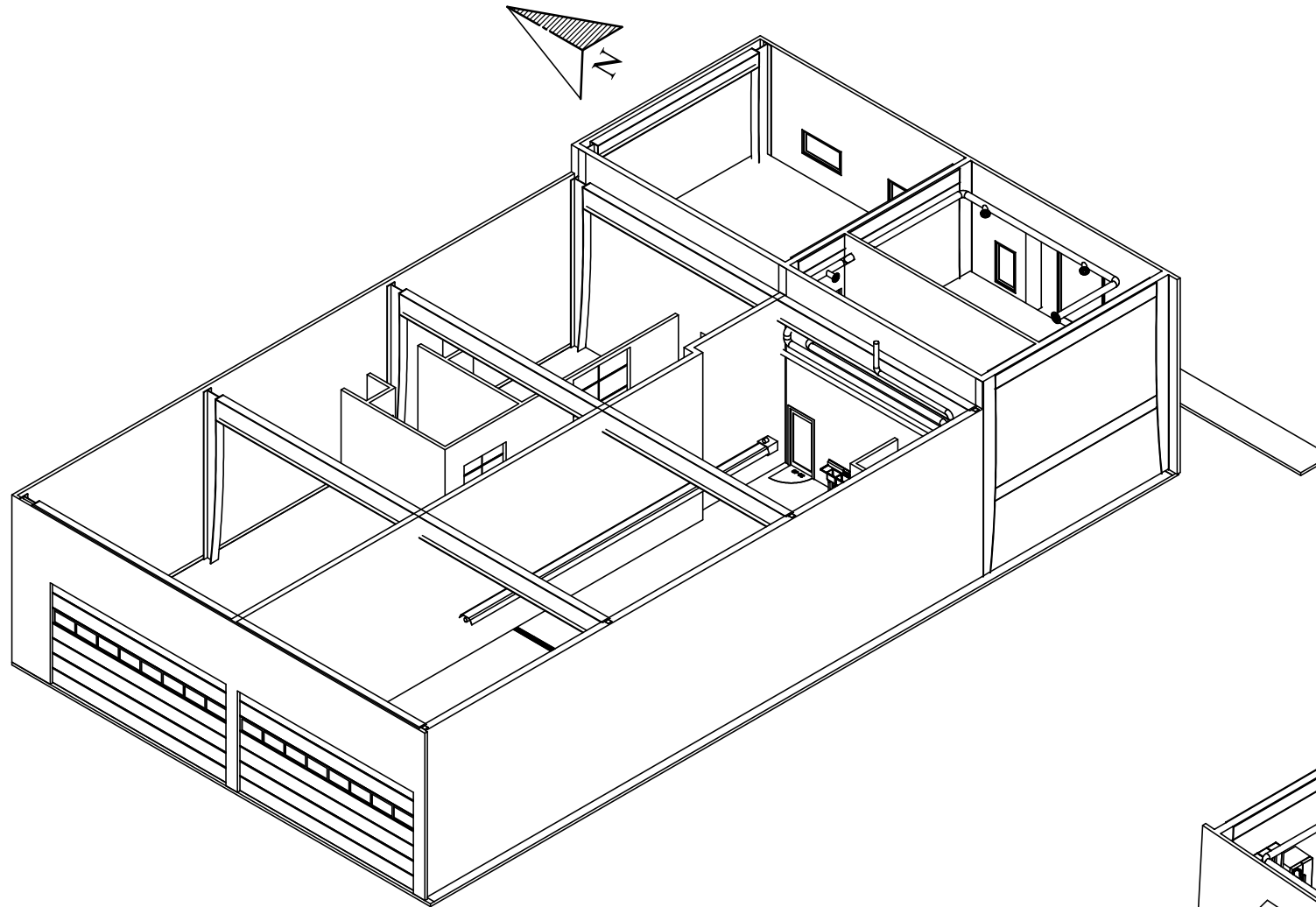
**HANDS ON TECH**  
CONSTRUCTION

Hands On Technology, LLC  
 9191 Sheridan Blvd, suite 318  
 Westminster, CO 80031  
 720-360-9506  
 1-800-716-7307  
 bryce@handsontech.construction  
 Contractors License # GC-002334-2018

MONTVERDE PARTNERS, LLC  
 593 GALLEGOS CIRCLE  
 ERIE, COLORADO 80516  
 720-625-0070  
 Biz Lic # 20171211663  
 RAMON CHIMELIS  
 ramon@montvp.com

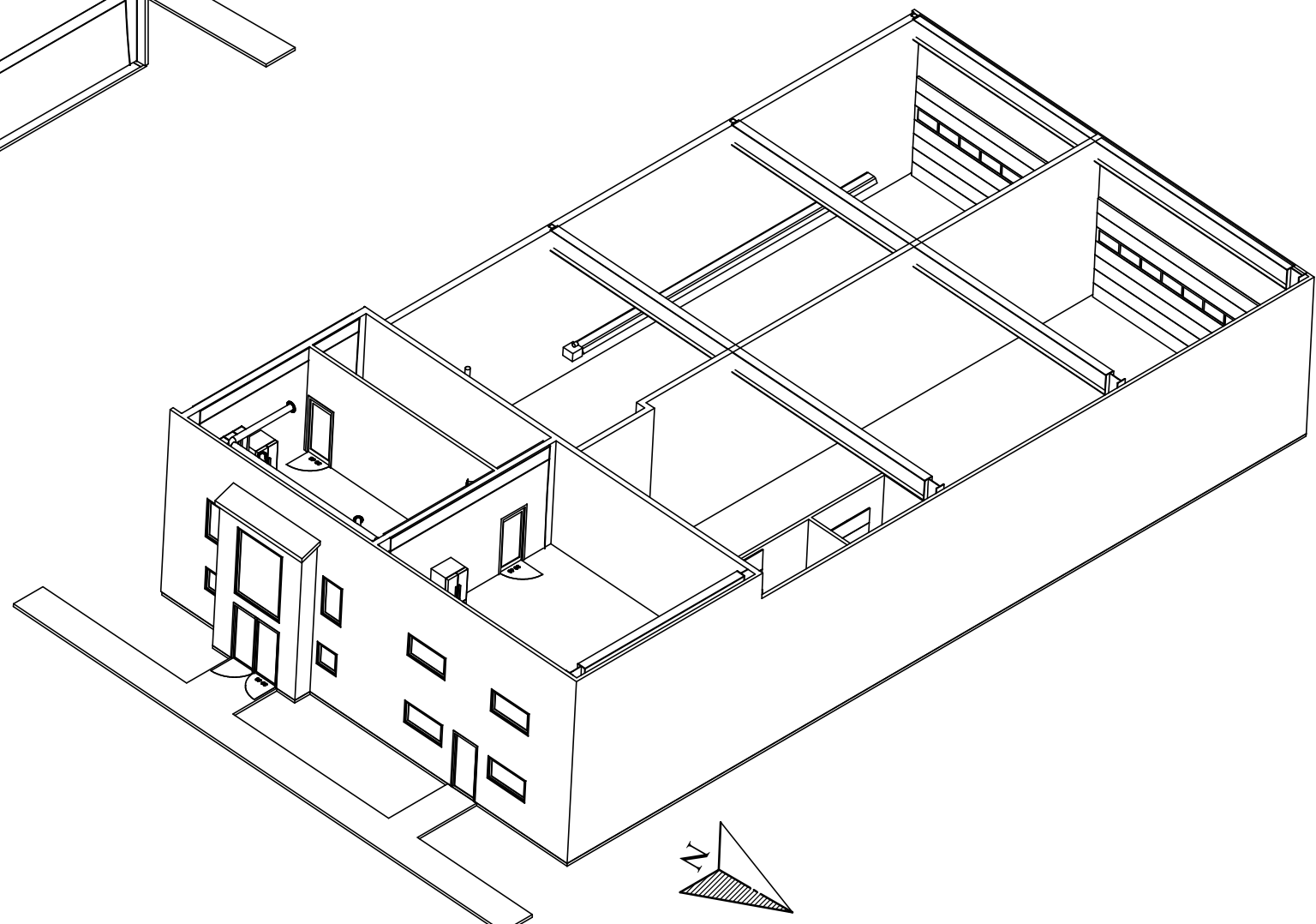
BUILDING F  
 3000 AIRPORT DRIVE  
 ERIE, CO 80516 201-B

SITE PLAN  
 12/6/2018  
 SHEET 1 OF 8



**3D VIEW - SOUTH WEST**

**1/8" = 1'-0"**



**3D VIEW - NORTH EAST**

**1/8" = 1'-0"**

**HANDS ON TECH**  
CONSTRUCTION

Hands On Technology, LLC  
9191 Sheridan Blvd, suite 318  
Westminster, CO 80031  
720-360-9506  
1-800-716-7307  
bryce@handsontech.construction  
Contractors License # GC-002334-2018

MONTVERDE PARTNERS, LLC  
593 GALLEGOS CIRCLE  
ERIE, COLORADO 80516  
720-625-0070  
Biz Lic # 20171211663  
RAMON CHIMELIS  
ramon@montvp.com

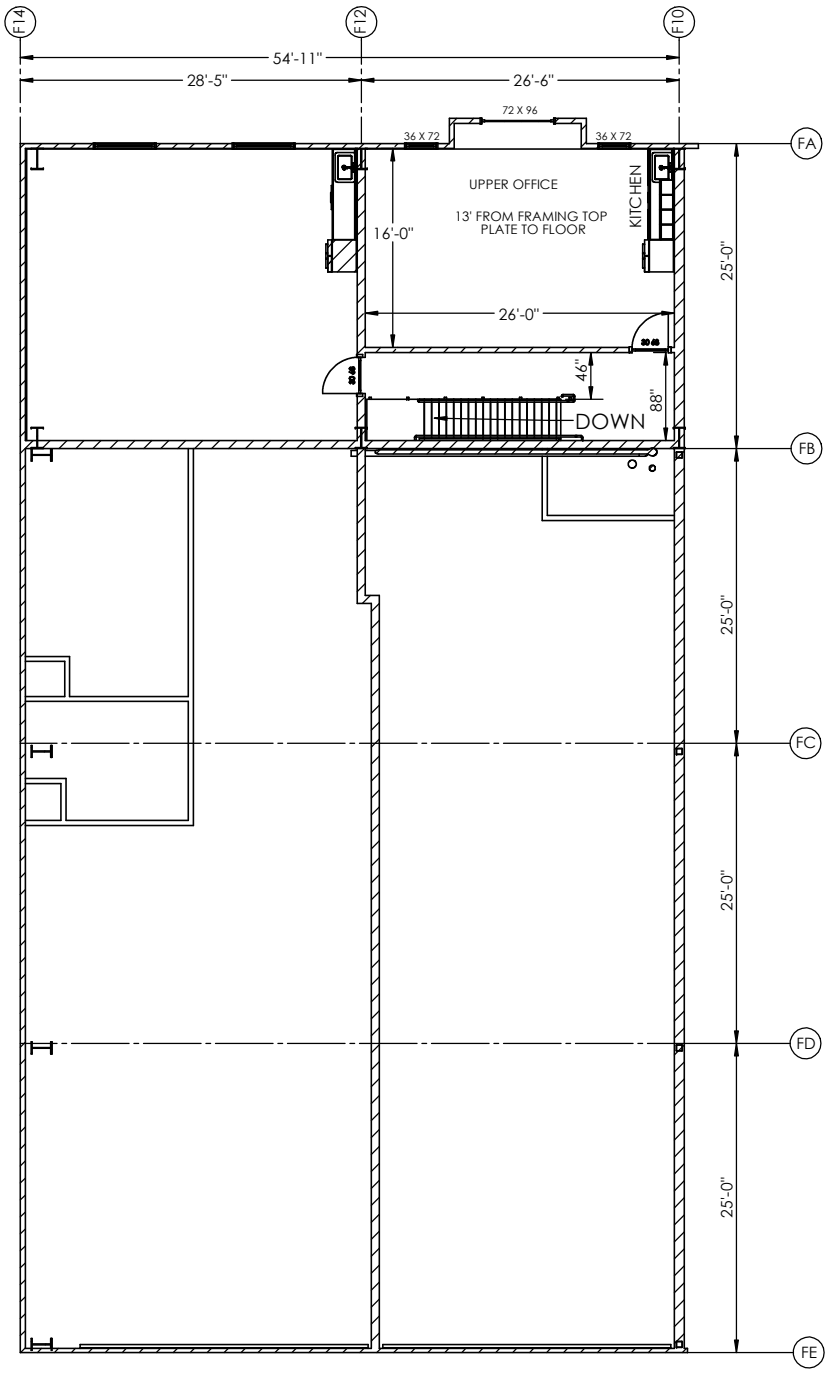
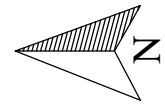
BUILDING F  
3000 AIRPORT DRIVE  
ERIE, CO 80516 201-B

3D VIEW  
PLAN

12/6/2018

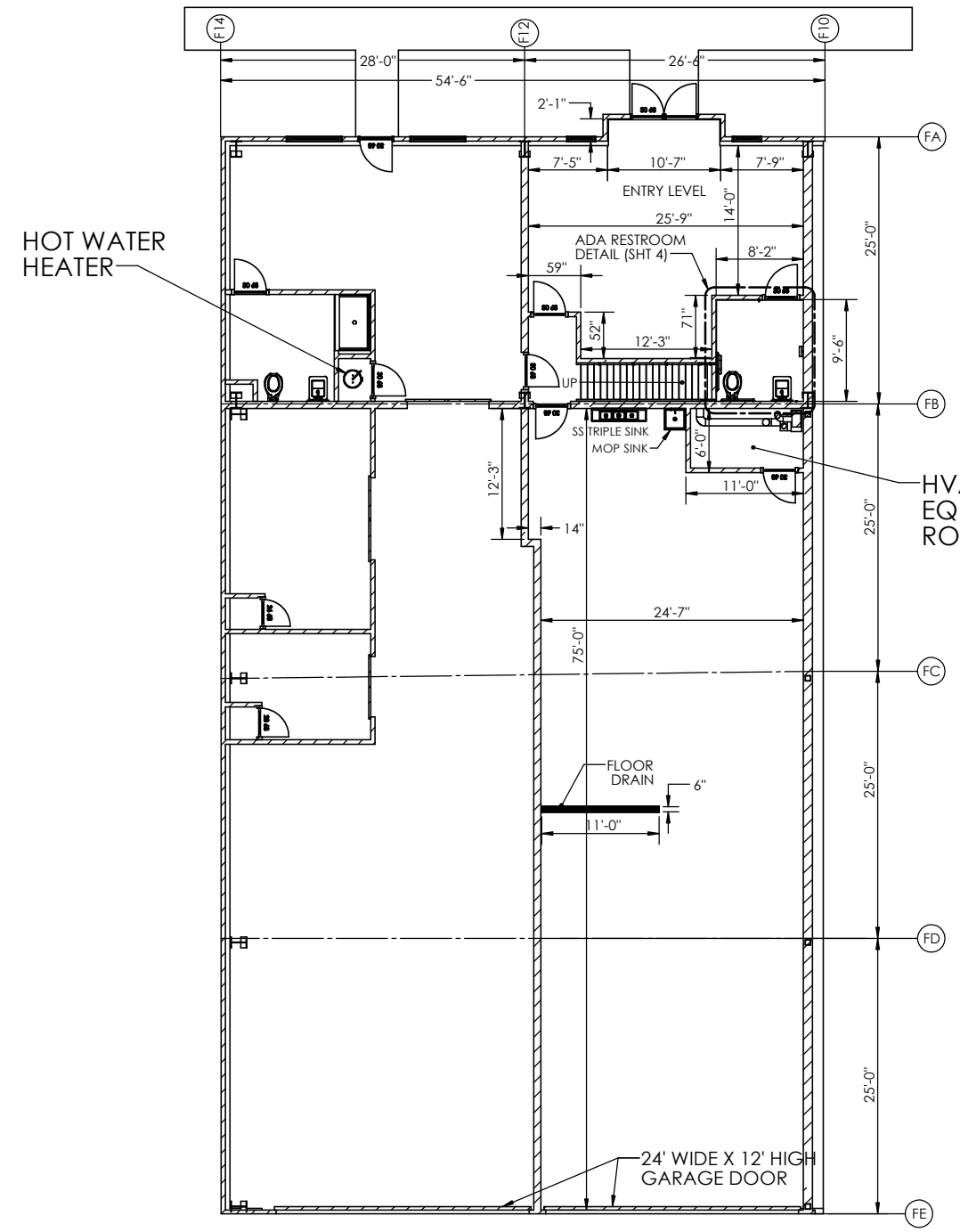
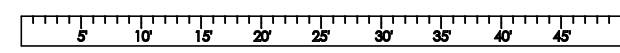
SHEET 2 OF 8

3000 Airport Drive 201-B



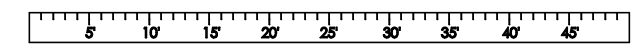
**PLAN VIEW - LEVEL 2**

1/8" = 1'-0"



**PLAN VIEW - LEVEL 1**

1/8" = 1'-0"



HOT WATER HEATER	
MODEL NO:	RE340T6-1NCWW
SERIAL NO:	SB40993086
NOM. CAP.:	40(US GAL) 151.4 (LITERS)
TYPE:	ELECTRIC
VOLTAGE:	240V / 208V
	1 PHASE AC ONLY
WATTAGE UPPER:	4500W/3500W
PRESSURE:	TEST 300(PSI) WORKING 150(PSI)

HVAC UNIT	
MODEL NO:	4PXCBU48BS3HAAA
SERIAL NO:	17143JBT5G
DESIGN PSI:	480
REFRIGERANT TYPE:	R-410A
CAPACITY:	48,000 (BTUH)
SERIES:	PREMIUM HIGH EFFICIENCY

HOT WATER HEATER

HVAC EQUIPMENT ROOM

**HANDS ON TECH**  
CONSTRUCTION

Hands On Technology, LLC  
9191 Sheridan Blvd, suite 318  
Westminster, CO 80031  
720-360-9506  
1-800-716-7307  
bryce@handsontech.construction  
Contractors License # GC-002334-2018

MONTVERDE PARTNERS, LLC  
593 GALLEGOS CIRCLE  
ERIE, COLORADO 80516  
720-625-0070

Biz Lic # 20171211663  
RAMON CHIMELIS  
ramon@montvp.com

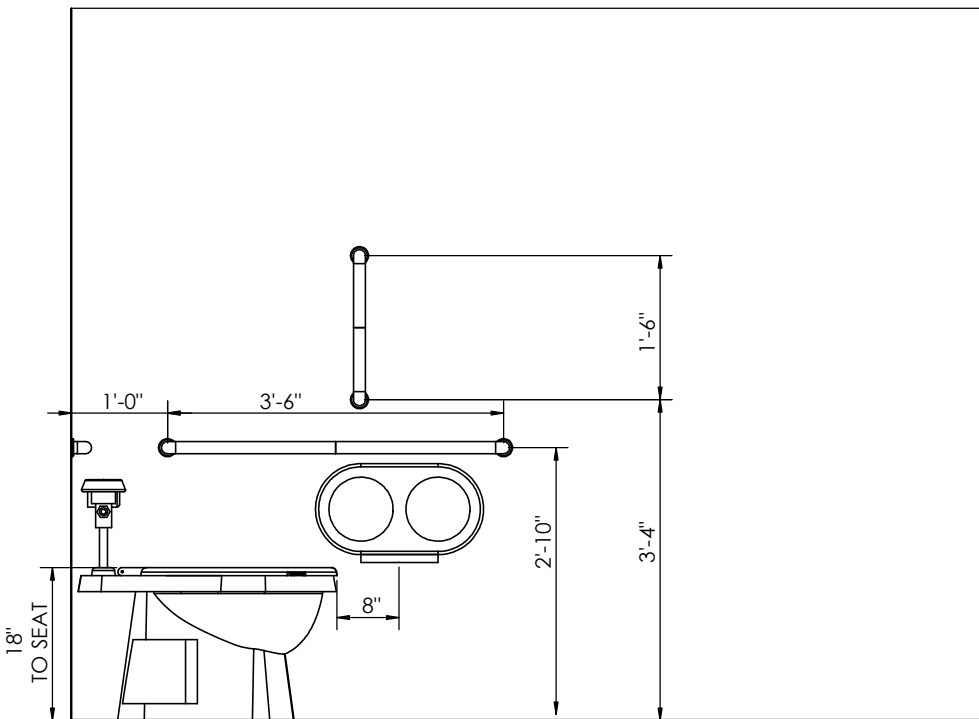
BUILDING F  
3000 AIRPORT DRIVE  
ERIE, CO 80516 201-B

FLOOR PLAN  
LEVEL 1 & 2

12/6/2018

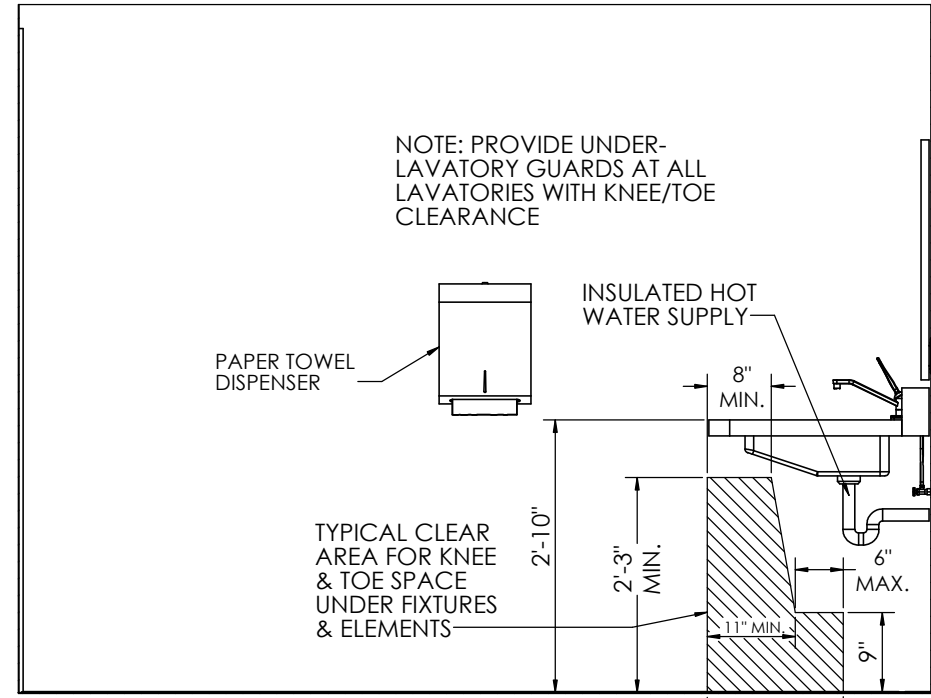
SHEET 3 OF 8

3000 Airport Drive 201-B



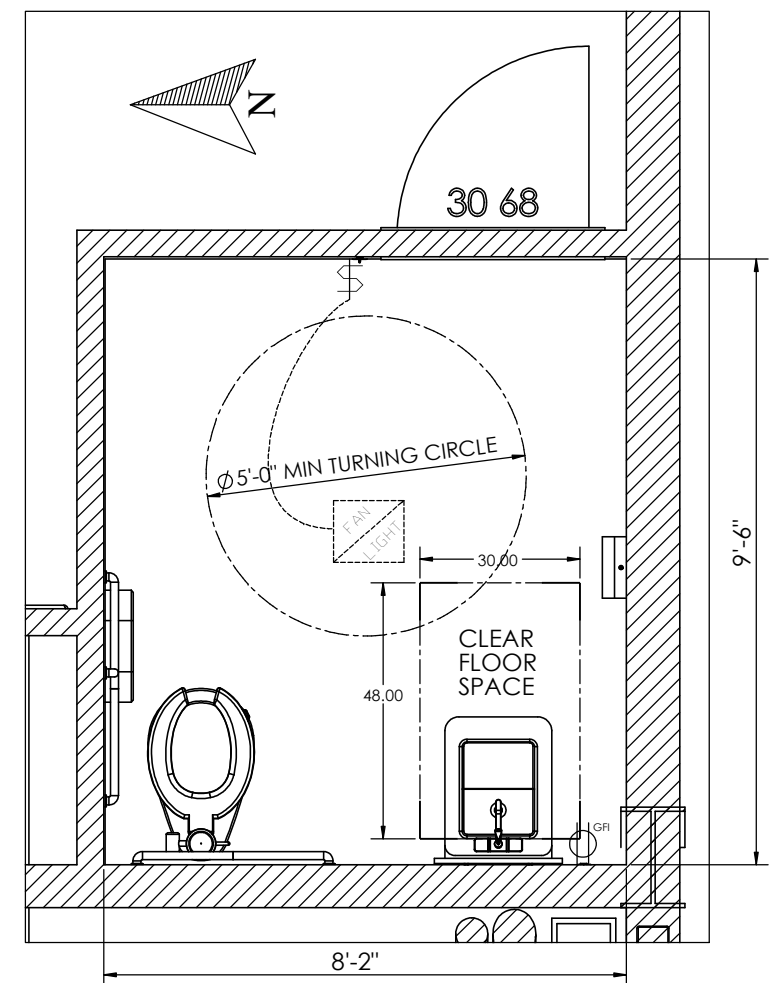
**NORTH ELEVATION - RESTROOM**

1" = 1'-0"



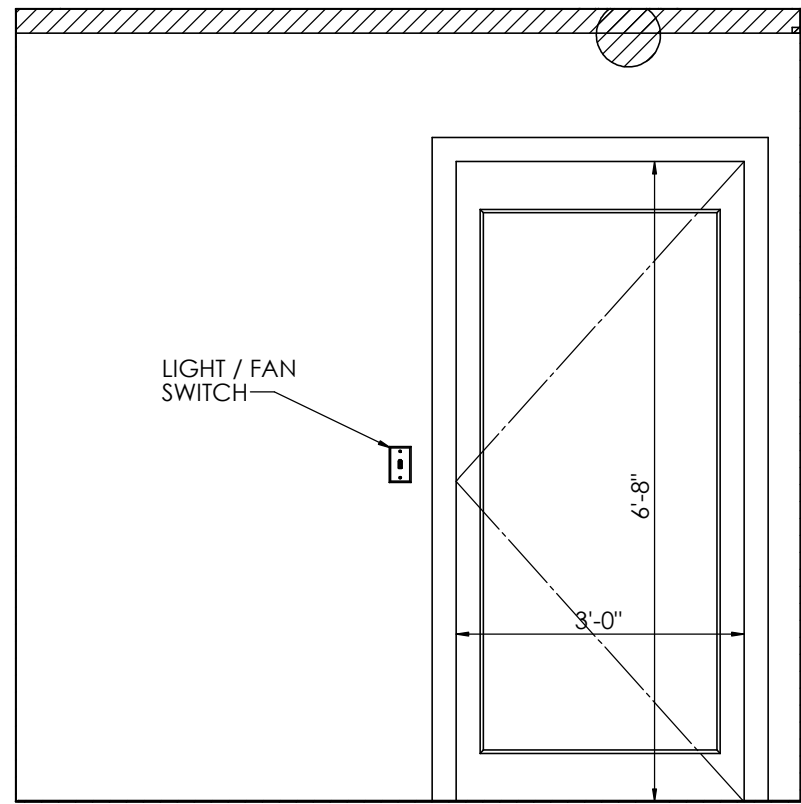
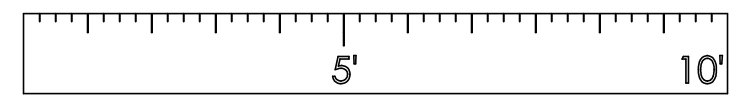
**SOUTH ELEVATION - RESTROOM**

1" = 1'-0"



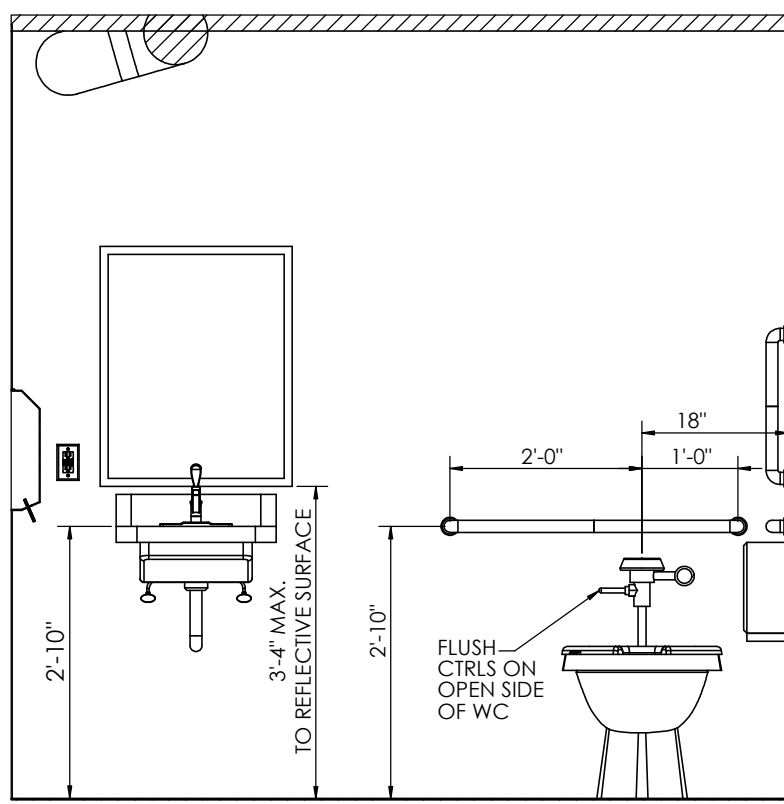
**ENLARGED ADA RESTROOM PLAN**

1" = 1'-6"



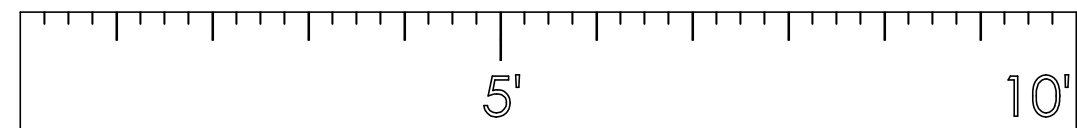
**EAST ELEVATION - RESTROOM**

1" = 1'-0"



**WEST ELEVATION - RESTROOM**

1" = 1'-0"



**HANDS ON TECH**  
CONSTRUCTION

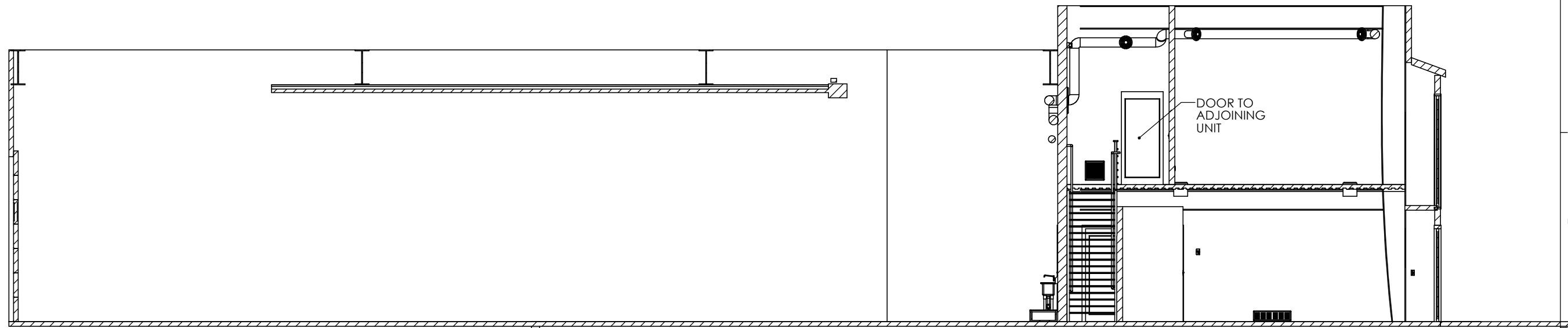
Hands On Technology, LLC  
9191 Sheridan Blvd, suite 318  
Westminster, CO 80031  
720-360-9506  
1-800-716-7307  
bryce@handsontech.construction  
Contractors License # GC-002334-2018

MONTVERDE PARTNERS, LLC  
593 GALLEGOS CIRCLE  
ERIE, COLORADO 80516  
720-625-0070  
Biz Lic # 20171211663  
RAMON CHIMELIS  
ramon@montvp.com

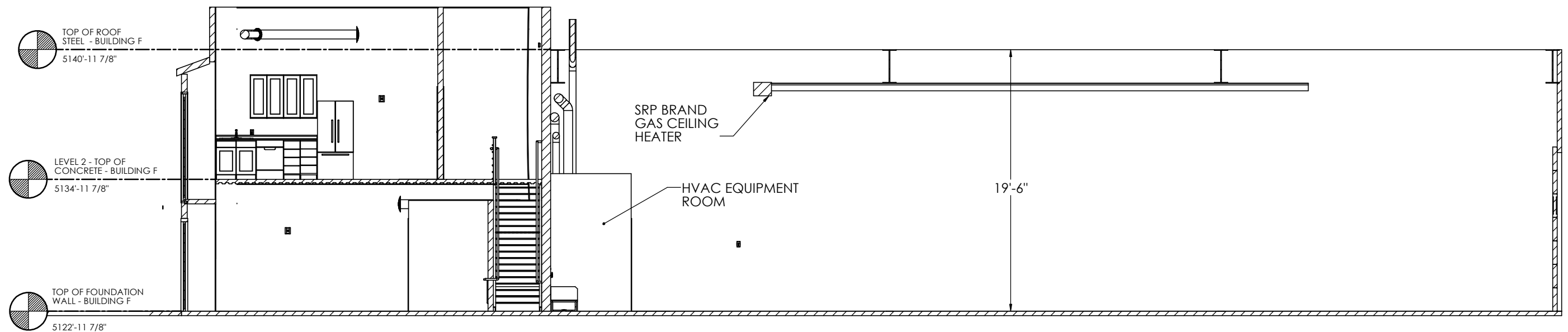
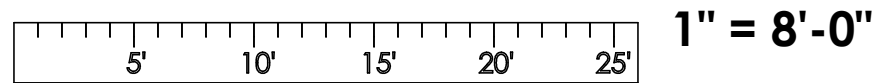
BUILDING F  
3000 AIRPORT DRIVE  
ERIE, CO 80516 201-B

ADA RESTROOM  
DETAIL PLAN  
12/6/2018  
SHEET 4 OF 8

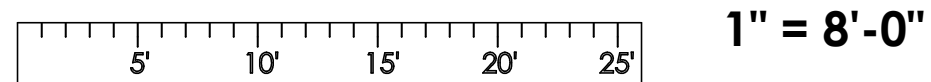




**BUILDING SECTION - NORTH VIEW**



**BUILDING SECTION - SOUTH VIEW**



**HANDS ON TECH**  
CONSTRUCTION

Hands On Technology, LLC  
9191 Sheridan Blvd, suite 318  
Westminster, CO 80031  
720-360-9506  
1-800-716-7307  
bryce@handsontech.construction  
Contractors License # GC-002334-2018

MONTVERDE PARTNERS, LLC  
593 GALLEGOS CIRCLE  
ERIE, COLORADO 80516  
720-625-0070

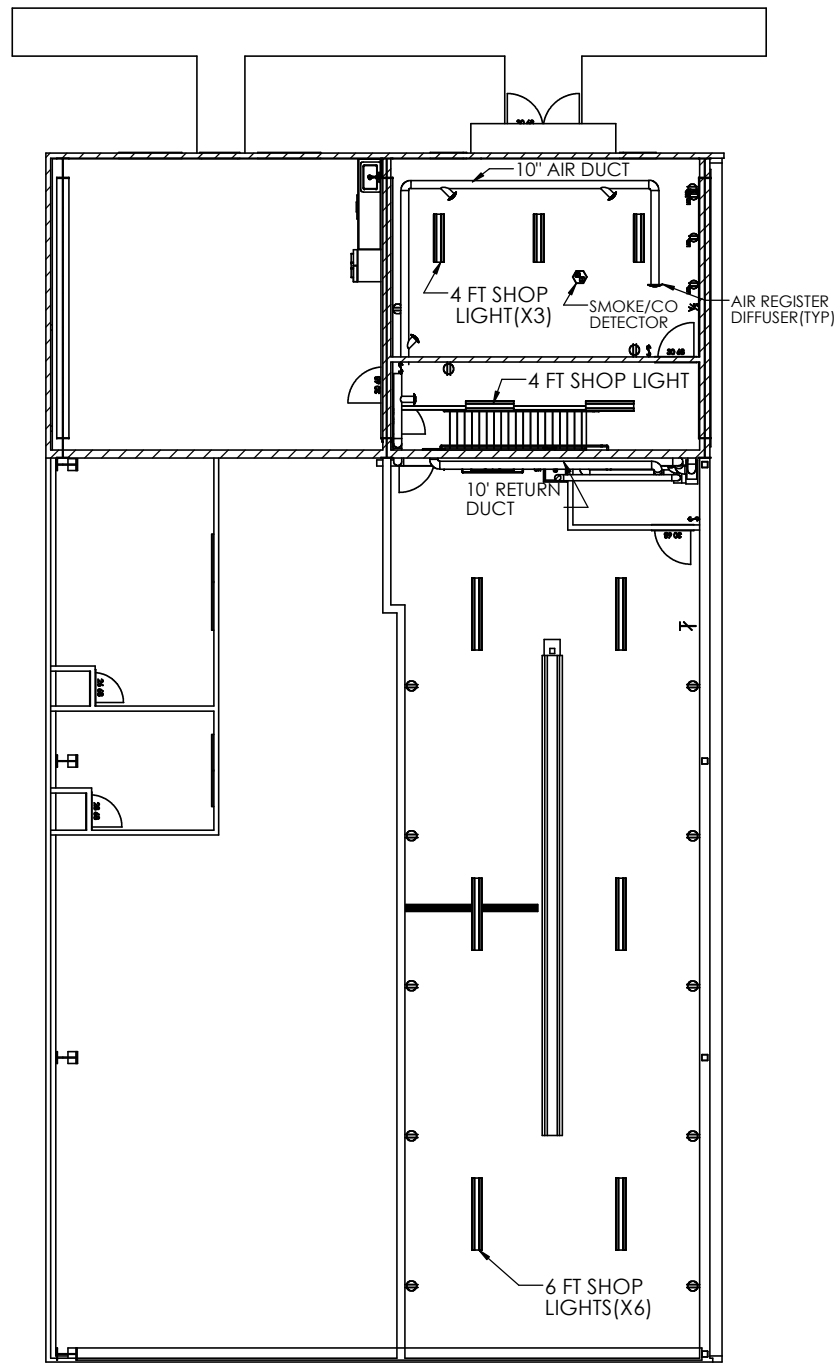
Biz Lic # 20171211663  
RAMON CHIMELIS  
ramon@montvp.com

BUILDING F  
3000 AIRPORT DRIVE  
ERIE, CO 80516 201-B

BUILDING SECTION VIEW

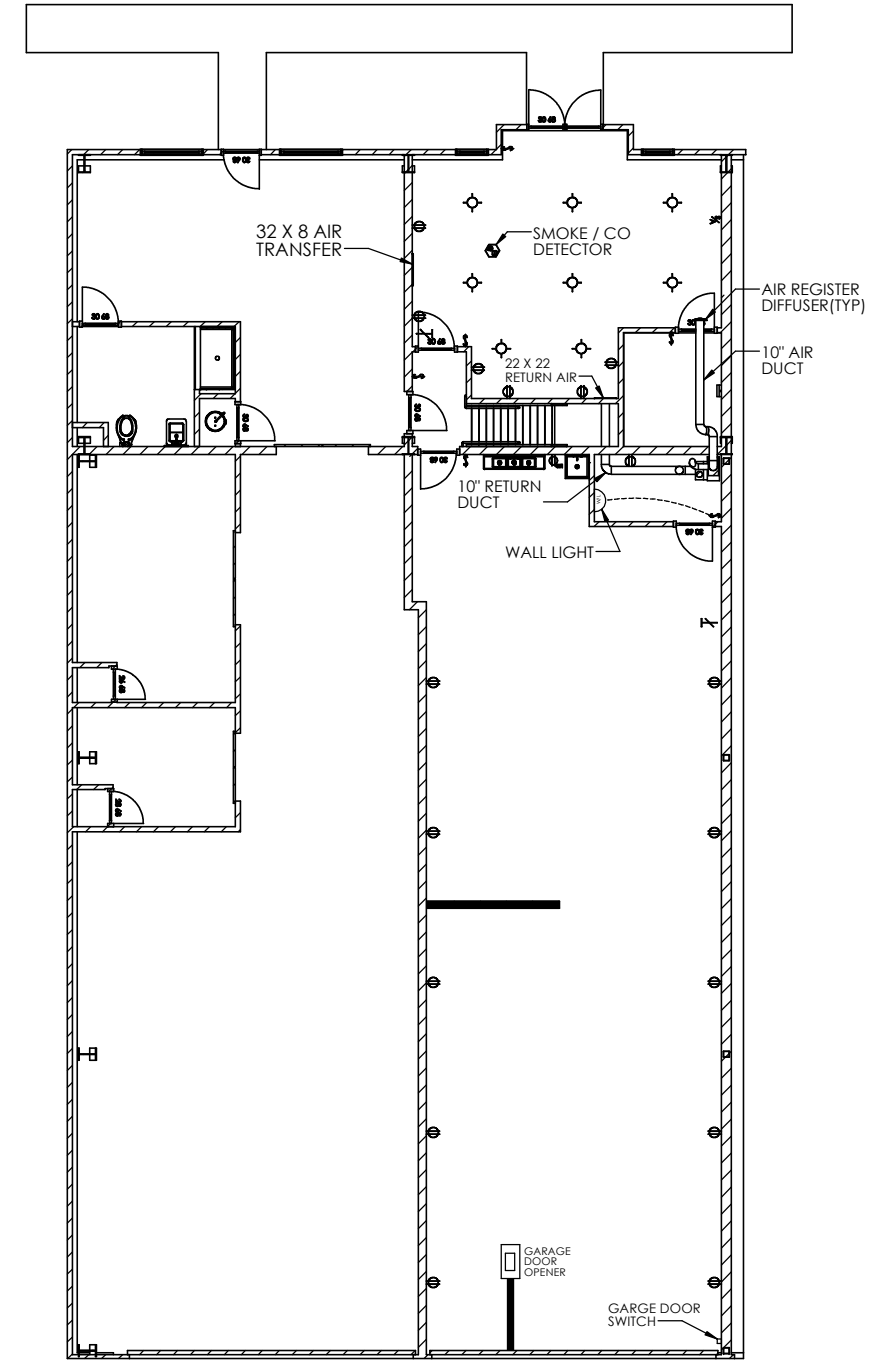
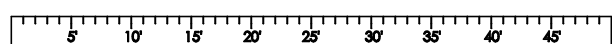
12/6/2018

SHEET 5 OF 8



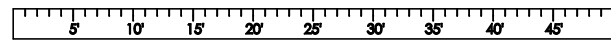
**MEP PLAN VIEW - LEVEL 2**




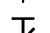



1/8" = 1'-0"



**MEP PLAN VIEW - LEVEL 1**

1/8" = 1'-0"



-  DUPLEX RECEPTACLE
-  GROUND FAULT RECEPTACLE
-  LIGHT SWITCH
-  THERMOSTAT
-  SMOKE / FIRE ALARM
-  SMOKE & CARBON DIOXIDE DETECTOR
-  CAN RECESSED LIGHT

**HANDS ON TECH**  
CONSTRUCTION

Hands On Technology, LLC  
9191 Sheridan Blvd, suite 318  
Westminster, CO 80031  
720-360-9506  
1-800-716-7307  
bryce@handsontech.construction  
Contractors License # GC-002334-2018

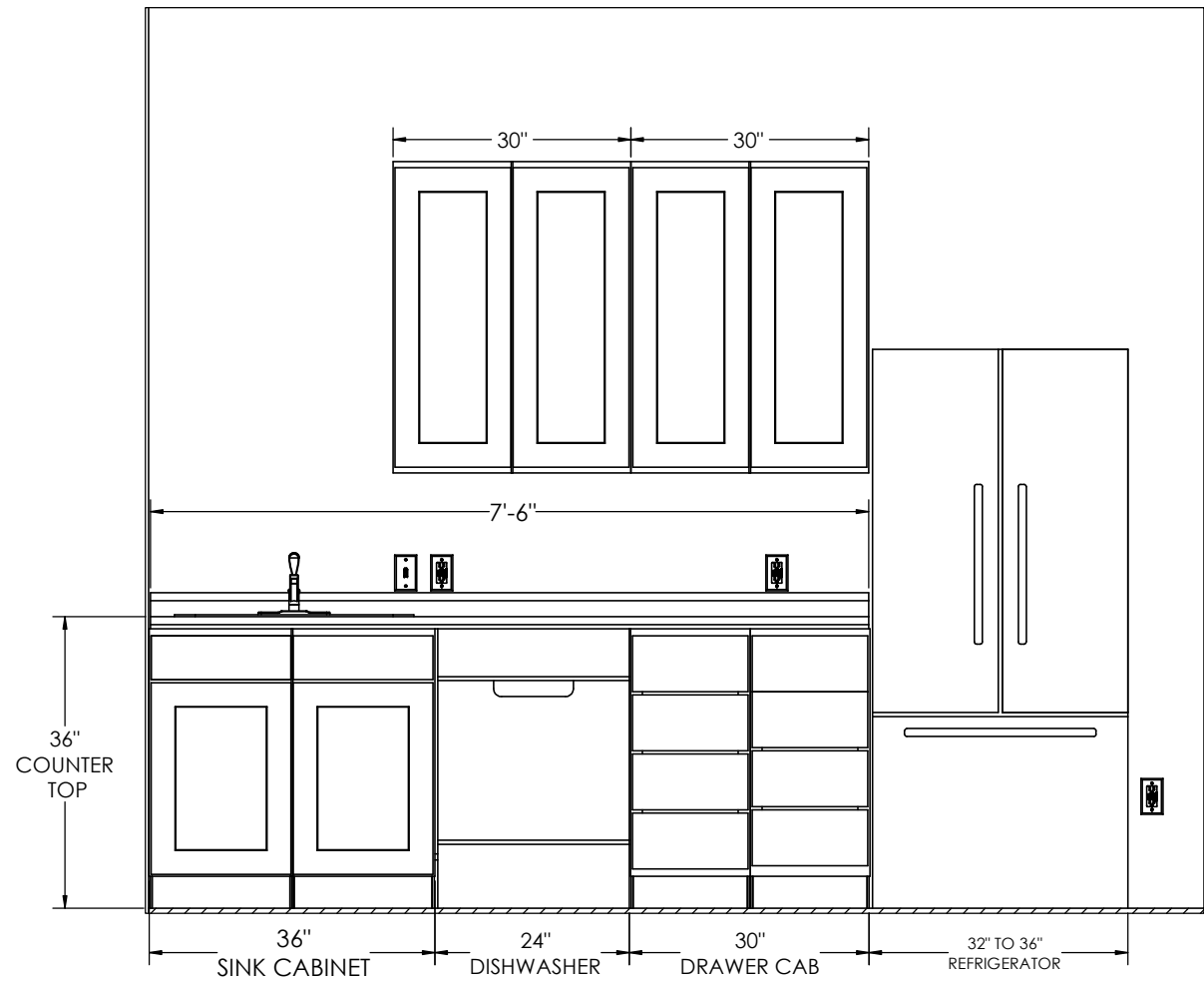
MONTVERDE PARTNERS, LLC  
593 GALLEGOS CIRCLE  
ERIE, COLORADO 80516  
720-625-0070  
Biz Lic # 20171211663  
RAMON CHIMELIS  
ramon@montvp.com

BUILDING F  
3000 AIRPORT DRIVE  
ERIE, CO 80516 201-B

MEP PLAN  
ELEC/ HVAC

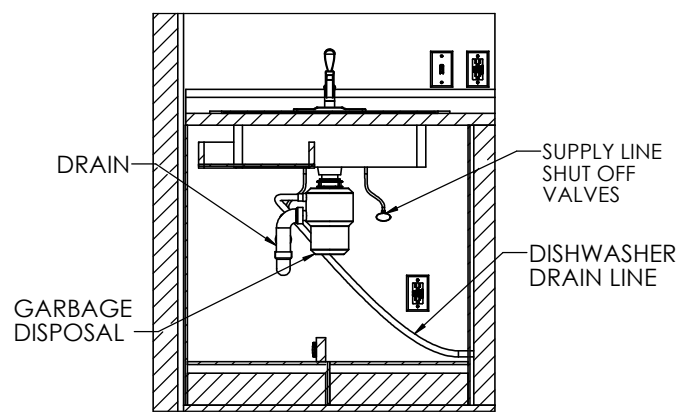
12/6/2018

SHEET 6 OF 8

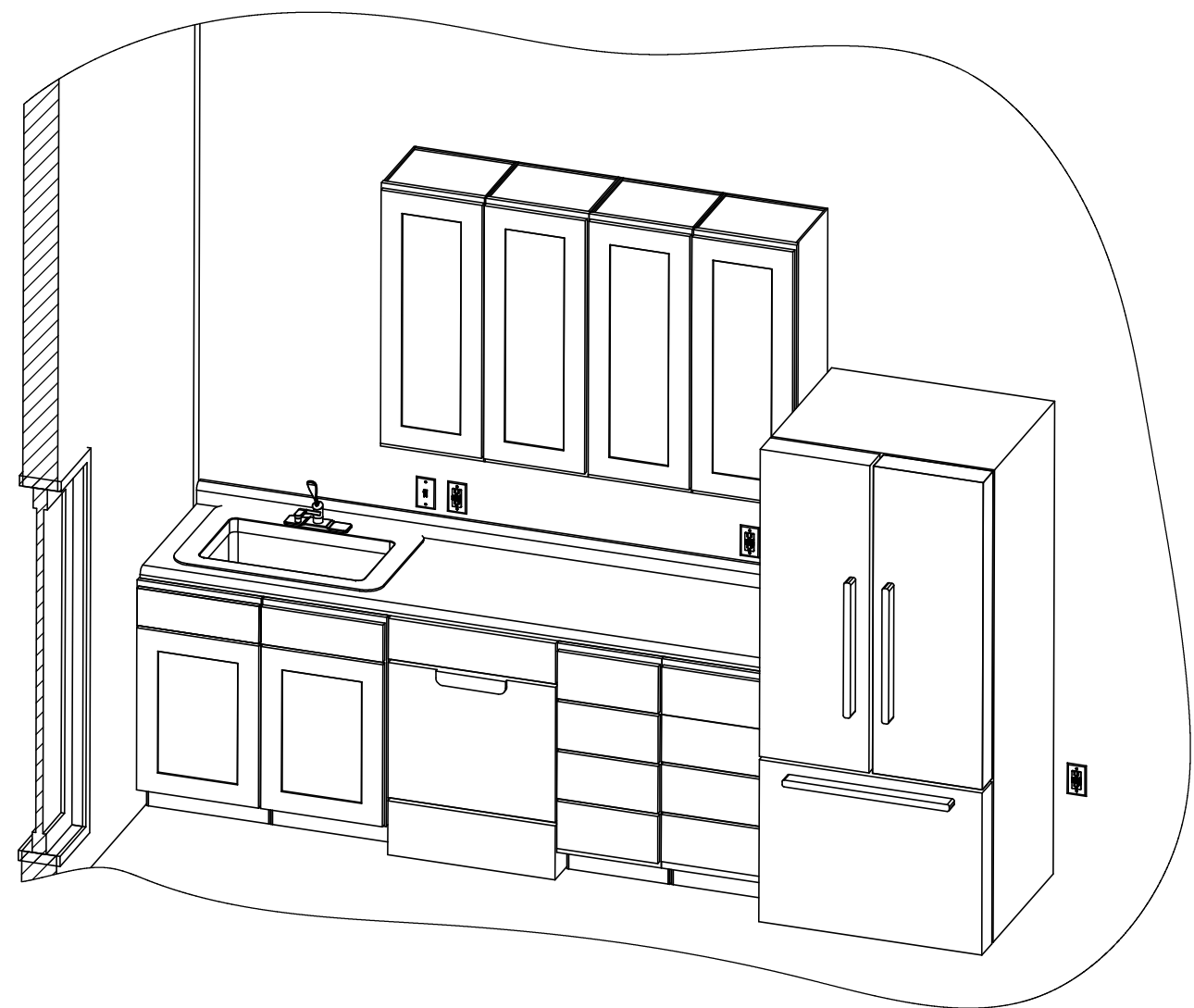


**KITCHENETTE - ELEVATION VIEW**

1" = 1'-0"



**UNDER SINK PLUMBING**



**KITCHENETTE - 3D VIEW**

1" = 1'-0"

**HANDS ON TECH**  
CONSTRUCTION

Hands On Technology, LLC  
9191 Sheridan Blvd, suite 318  
Westminster, CO 80031  
720-360-9506  
1-800-716-7307  
bryce@handsontech.construction  
Contractors License # GC-002334-2018

MONTVERDE PARTNERS, LLC  
593 GALLEGOS CIRCLE  
ERIE, COLORADO 80516  
720-625-0070

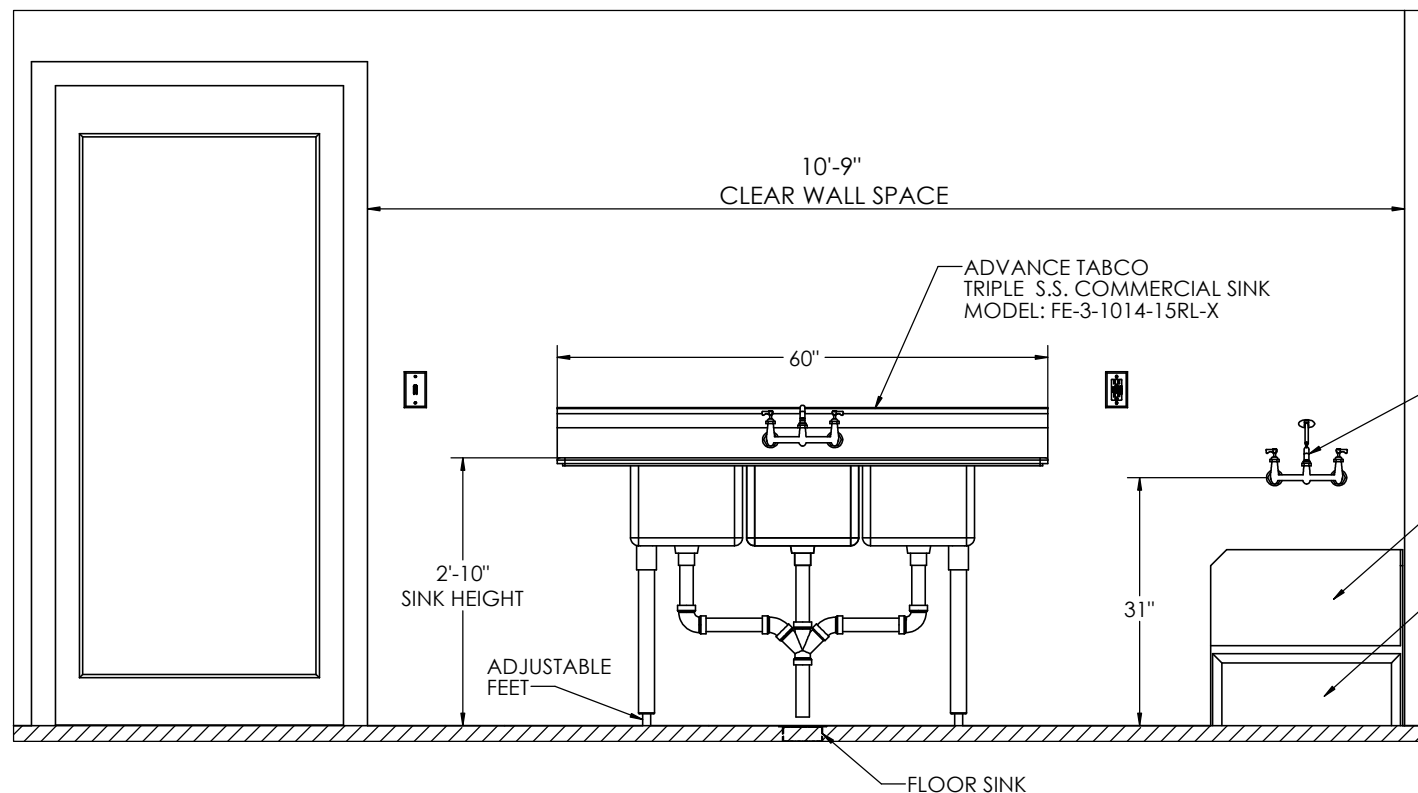
Biz Lic # 20171211663  
RAMON CHIMELIS  
ramon@montvp.com

BUILDING F  
3000 AIRPORT DRIVE  
ERIE, CO 80516 201-B

KITCHEN DETAIL  
3D & ELEVATION

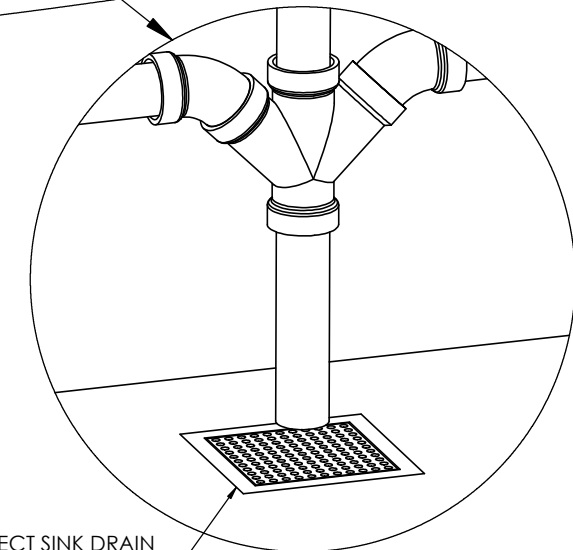
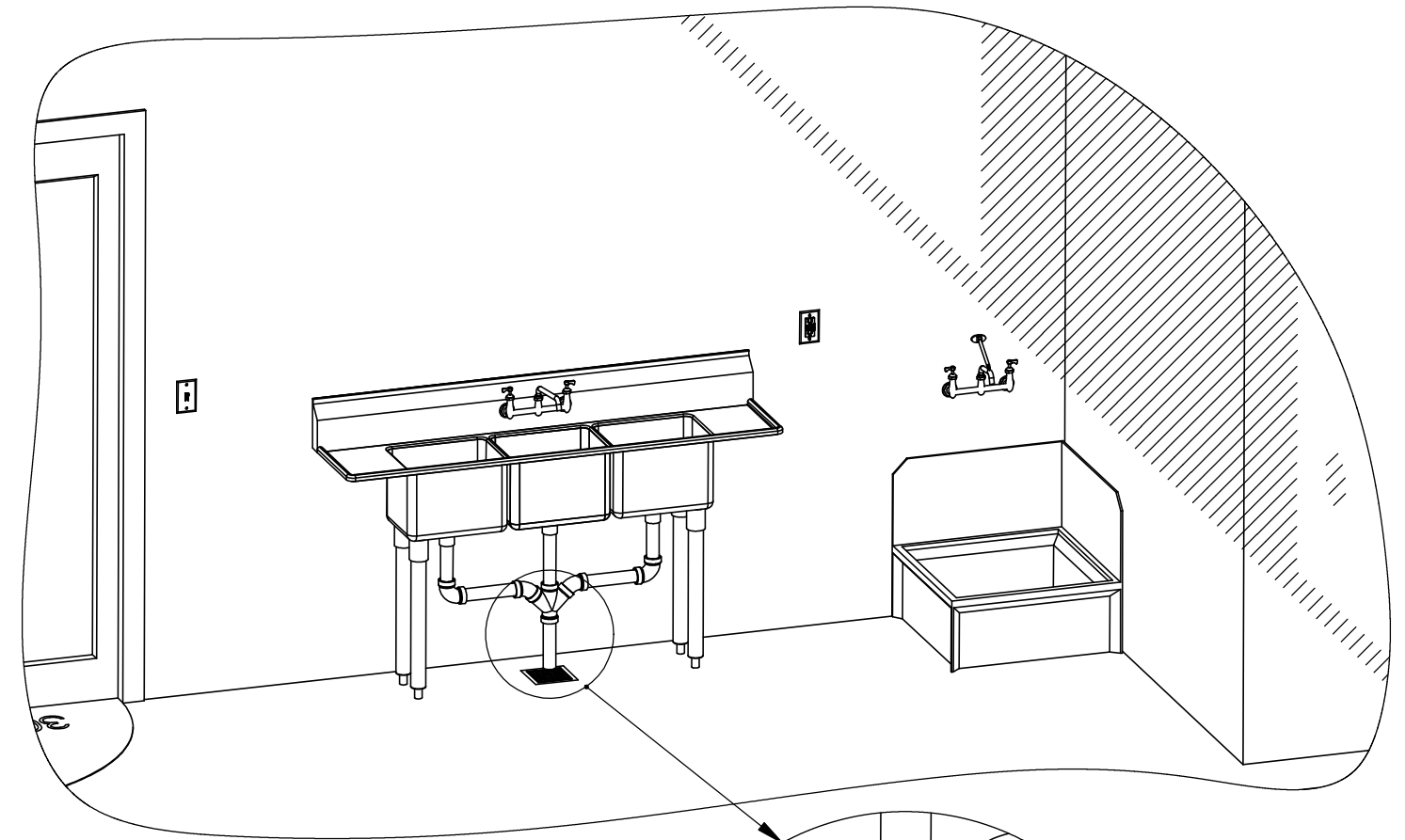
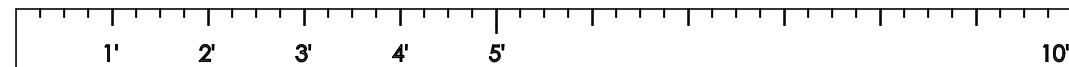
12/6/2018

SHEET 7 OF 8



### HANGER SINK - ELEVATION

1" = 1'-0"



**HANDS ON TECH**  
CONSTRUCTION

Hands On Technology, LLC  
9191 Sheridan Blvd, suite 318  
Westminster, CO 80031  
720-360-9506  
1-800-716-7307  
bryce@handsontech.construction  
Contractors License # GC-002334-2018

MONTVERDE PARTNERS, LLC  
593 GALLEGOS CIRCLE  
ERIE, COLORADO 80516  
720-625-0070  
Biz Lic # 20171211663  
RAMON CHIMELIS  
ramon@montvp.com

BUILDING F  
3000 AIRPORT DRIVE  
ERIE, CO 80516 201-B

SINK DETAIL  
INSIDE HANGER

12/6/2018

SHEET 8 OF 8