

## Connector Accessories



### Primary Markets:

- ▶ Aircraft
- ▶ High Vibration
- ▶ Quick Disconnect
- ▶ HMI Lighting
- ▶ Railway/Transit
- ▶ Combat Vehicles
- ▶ Industrial Machinery



**SPACECRAFT  
COMPONENTS CORP.**

# SPACECRAFT AT A GLANCE

Your Connector Consultant  
Since 1962



**F**ounded in 1962, Spacecraft is a family-owned, leading manufacturer and distributor of cylindrical connectors for the railways/transit, military, aerospace and various harsh environment markets.

**As a Manufacturer,** Spacecraft's core focus is manufacturing reverse bayonet connectors geared towards railway and transit applications. Our extensive engineering and manufacturing experience with reverse bayonet connectors provides us with the opportunity to offer a broad range of derivative cylindrical products in a short period of time with an assurance of exceptional quality.

**As a Distributor,** Spacecraft has developed key partnerships with world-class manufacturers whose products encompass MIL-SPEC and harsh environment industrial connectors. We are an authorized MIL-STD-790 value-added assembler for our principal connector manufacturers, such as Souriau, Reiku, Corsair, Sunbank, Astro Tool Corp., Mencom and Ulti-Mate. We stock a wide and deep variety of QPL components which enables us to provide a vast assortment of completed QPL connectors within a three-day turnaround.

**As an Organization,** Spacecraft prides itself on providing consultative service by utilizing our greatest asset: Our people!

**Spacecraft invites you** to tour our best-in-class facility located in North Las Vegas, Nevada, USA.

## Spacecraft's Core Values

- MIL-STD-790 Certified
- Over 9 Million Connectors in Inventory
- Technical Solutions Oriented
- A Consultative Sales Team
- Vertically Integrated
- Supporter of the Buy American Act



## Exceeding Your Quality Expectations

Spacecraft Components Corp. warrants to the original purchaser that it will correct by replacement any defect in workmanship or in-operation of any component purchased from Spacecraft Components Corp. for the life of the equipment in which the component is originally and properly installed. This agreement and warranty supersedes all other warranties expressed or implied.



## CIDS (Connector Identification System)

Your Online Source for MIL-SPEC Cylindrical Connectors

**CIDS** Search for Another Part

Part Number: 03899940J215H  
 Superly:   
 Vendor: Military  
 SCPE:   
 Description: Receptacle, Vial Mount  
 MtlSpec: MIL-DTL-38999 Series IV Composite, Crimp Rear Release Cont

Coating: Ivesch-LDC	Contact Type: Crimp, Rear Release
Material: Composite	Shell Size: 23
Finish: CD Plated, CD 2000HR Salt Spray IC	Insert Number: H21
Environmental: Environmental	Rear of Connector: MIL-C-38999 Series III A IV Threads
Fluid Resistance: Part III	Backshell: Backshell ID: Socket/Female: Cable Range: Contact Size: Plug Diameter: 1.821 in 46.51 mm

Total Contacts: 21  
 Quantity: 21  
 Size: 10  
 Contact Part Number: M3802956-352

Navigation: < Back Drawings Insert Accessory Mtl Subst Source

- Access to MIL-SPEC Data Sheets in an Instant
- Identify Crimp Tools for Your Contacts
- Identify the Mating Connector
- Identify the Accessories for Your Connector

## Mission Statement

To provide a work environment where our employees can meet their potential and thrive in an atmosphere of excellence by utilizing their strengths and attributes towards supporting our customers, thereby providing superior products and exceptional service which helps our customers gain a competitive advantage in their markets.

## Locations

- Nevada Headquarters 702.851.7600
- Florida Office 954.748.4540
- Arizona Office 623.580.1162
- Mexico Office +52 442 341 69 63
- Italy Office +39 (335) 719.4512



3040 Clayton Street  
North Las Vegas, NV 89032

Phone: 702.851.7600  
Fax: 702.851.7620

Email: salesinfo@spacecraft.com  
Web: www.spacecraft.com

# CONNECTOR ACCESSORIES

© 2012 Spacecraft Components Corp., North Las Vegas, Nevada 89032

## Catalog 402 Table of Contents

Connector Accessories . . . . .	II
Connector Accessory Quick Reference . . . . .	1D-1
Torque Values for Backshells . . . . .	1D-12
Backshells, Environmental . . . . .	2D-1
Backshells, Environmental EMI/RFI . . . . .	3D-1
Backshells, Grommet Nuts . . . . .	4D-1
Backshells, Non-Environmental . . . . .	5D-1
Backshells, Non-Environmental, EMI/RFI . . . . .	6D-1
Backshells, Potting Boots and Rings . . . . .	7D-1
Backshells, Shield Terminations and Bands . . . . .	8D-1
Backshells, Shorting Cans . . . . .	9D-1
Backshells, Shrink Boot Adapters . . . . .	10D-1
Backshells, Strain Reliefs/Cable Clamps . . . . .	11D-1
Dust Caps & Dummy Receptacles . . . . .	12D-1
Gaskets for Flange Mount Receptacles . . . . .	13D-1
Jam Nuts . . . . .	14D-1
Mounting Plates . . . . .	15D-1
Rubber Bushings . . . . .	16D-1
Sealing Plugs . . . . .	17D-1
Crimp Contact Adapters . . . . .	18D-1
Cross Reference/Index . . . . .	19D-1





# CONNECTOR ACCESSORIES

A connector accessory may be defined as a component used with a connector to enhance its operational characteristics but which does not interfere with its basic function of connecting and disconnecting electrical circuits. In many situations however, the useful life of a connector would be severely compromised without the proper accessory.

The extensive range of connector applications and usage environments accounts for the wide variety of accessory configurations, each one designed to meet a specific need. The accessories detailed in this catalog cover the following categories:

- Backshells
- Bulkhead Adapters
- Conduit Fittings
- Dummy Receptacles
- Dust Caps
- Gaskets for Flange Mount Receptacles
- Jam Nuts for Jam Nut Receptacles
- Mounting Plates for Flange Mount Receptacles
- Pipe Thread Adapters
- Rubber Bushings
- Sealing Plugs
- Shield Terminations
- Shorting Cans

## BACKSHELLS

Backshells are by far the most complex and widely used accessories. The backshells in this catalog are divided into 9 sub-groups according to their function as follows:

- Environmental Backshells
- Environmental EMI/RFI Backshells
- Grommet Nuts
- Non-Environmental Backshells
- Non-Environmental EMI/RFI Backshells
- Potting Boots and Rings
- Shield Terminating Backshells
- Shrink Boot Adapters
- Strain Reliefs and Cable Clamps

## NON-ENVIRONMENTAL BACKSHELLS

Non-Environmental Backshells are sometimes referred to as backshell extenders. They are used when there is a requirement for additional space between the rear of the connector and the strain relief to allow for cable service loops, jumping, filter networks, etc.





## ENVIRONMENTAL BACKSHELLS

Backshells categorized as Environmental are those which protect the wiring side of the connector from dust, dirt, moisture and fluids. Almost all recent Military Specification cylindrical connectors are designed so that when the wires are inserted through the grommet, and assuming all holes in the grommet contain either a wire or a sealing plug, the connector will be environmentally sealed once the backshell or strain relief is secured. The environmental seal will remain functional as long as the wires entering the grommet are not bent more than 13 degrees from the axis of the connector. The exact number of degrees which the wires can be bent depends upon the type of wire and insulation materials used. If any bending or flexing of the wire bundle is anticipated, some type of strain relief or cable clamp and backshell must be utilized to maintain the integrity of the environmental seal.

## EMI/RFI BACKSHELLS

Most cabling design for transmission of electrical power or high voltage signals is relatively unaffected by electrical interference. However, the introduction of foreign electronic energy into cables carrying low voltage data signals can have disastrous results. The lower the system signal voltage levels, the greater the susceptibility to interference.

Electromagnetic Interference (EMI) and Radio Frequency Interference (RFI) can originate from a number of sources. Notorious generators of interference include components such as coils, electromagnets, electric motors, transformers and a variety of radiating electrical equipment like fluorescent lighting, high power radar, broadcast stations, and other communication circuits.

When strong external noise fields exist, the conductors of a cable act as antennas and pick up the radiated signals. The reception of this interference results in inaccurate or interrupted data transmission.

Today, with cabling carrying more low voltage data signals than ever before, proper shielding is of prime importance if the integrity of the transmitted data is to be maintained. An effective shield should be capable of preventing the reception of undesired signals as well as confining extraneous signals generated within the cable itself.

The most common method of shielding against EMI/RFI is to enclose the cable in a tightly woven metal braid comprised of wire strands which is then terminated at one or both ends of the cable to ground potential. The termination and grounding of the shield is accomplished by using a suitable connector backshell.

Many military programs require Electromagnetic Pulse (EMP) protection. Designing against EMP is basically the same as designing against EMI/RFI. The best cable shields for EMP are solid materials such as rigid conduit or pipe. However, where light weight is a consideration, metal braided shields can be used effectively. The mechanical assembly of the shield must have clean metal-to-metal contact with the backshell.

Continuity is extremely important in EMP protection. There must be a 360° circumferential mechanical bond and electrical continuity between the shield and the connector backshell. Shielding voids or pigtail terminations do not provide acceptable EMP protection.

A variety of backshell configurations are available for termination of cable shielding. The designer can select from cone and ring, light bulb thread, compression spring, magnetic forming, crimp ring or stainless steel strap configurations.

## CONE AND RING BACKSHELLS

The Cone and Ring method has been used for over 70 years, originating with coaxial (UG type) connectors. Several variations of this concept have evolved and are widely used as they provide excellent shielding as well as strain relief capabilities. All variations are based on the basic Cone and Ring design shown in Figure 1.



**Figure 1.** Typical Cone and Ring Backshell Assembly.

As shown in the figure, the cable braid is placed between the inner and outer ground rings at the rear of the backshell. As the strain relief or nut is tightened, the braid is clamped between the two rings. Other variations of this method include shield tie-off, inverted cone and 3-ring shield grounding.

For optimum performance, the Cone and Ring shield termination requires a great deal of care by the assembler. To assure 360° continuity, the braid must be “combed out” so that there are no high spots when the Cone and Ring come together. Care must also be taken to prevent cutting the soft copper wires of the braid on sharp edges or by overtightening the strain relief. The fact that this method is fully field repairable accounts for its popularity.

## LIGHT BULB THREAD BACKSHELLS (NOT ILLUSTRATED)

As the name implies, the outside rear of the backshell has coarse round threads similar to an ordinary household light bulb. A nut with corresponding threads is slipped over the braided shield. The shield is then distributed evenly over the backshell threads and the nut is screwed in place, securing the shield to the backshell. This method is field repairable but requires care to be sure the braid does not tear as the nut is tightened or removed. These backshells have no strain relief provisions for the cable or conductors. If a jacketed cable is used, environmental sealing can be achieved with the use of a heat-shrinkable boot over the backshell and jacketed cable.

## COMPRESSION SPRING BACKSHELLS

The Compression Spring (sometimes called a Ground Spring) Backshell is shown in Figure 2. A ring-shaped coil spring is placed over the braided shield and positioned in the rear of the backshell. A “backup” ferrule is sometimes used between the conductors of the

cable and the braided shield to eliminate the possibility of cutting into or through the shield if the cable clamp or compression nut is tightened excessively.

This method of shield grounding is simple, field repairable and requires no special assembly skills. Compression Spring Backshells are best used in applications with little or no vibration. It has been reported that under certain vibration conditions when a backup ferrule is not used, the spring will “bounce” and shielding integrity could be compromised. EMI/RFI Backshells are available in both Environmental and Non-Environmental configurations.



**Figure 2.** Compression Spring Backshell Assembly

## SHIELD TERMINATION BACKSHELLS

Shield Termination Backshells are used to terminate the outer braid shield of a cable by means of a magnetically formed ring, a crimp ring or a stainless steel strap. Their configuration is distinct from EMI/RFI backshells in that they rely entirely on the ring or band for strain relief rather than on a mechanical clamping device. A typical backshell assembly is shown in Figure 3.



**Figure 3.** Magnetic Forming or Crimp Ring Backshell Assembly

## MAGNETIC FORMING BACKSHELLS

Magnetic Forming is based on the principle that a pulsed magnetic field generated near a metal conductor can produce pressures up to 50,000 psi capable of reshaping the metal conductor (in this case, a metal ring) without physical contact. After the braid is placed over the backshell end and the metal ring (which has a zero temper) is in position, the assembly is placed in a magnetic forming machine which induces a very intense magnetic field by the discharge of high voltage capacitors. This field sets up an opposing field in the metal ring and the net Magnetic Force compresses the ring onto the backshell, securely clamping the braid. Magnetic Forming is currently the preferred EMP termination method as a 360° bond is assured.



Magnetically formed assemblies are not field repairable and the cost of the forming equipment is in the \$50,000 range. Magnetic Forming Backshells have no provision for strain relief of the cable or conductors; however, the ring is crimped so tightly that the shield material will break before it will pull free of the backshell.

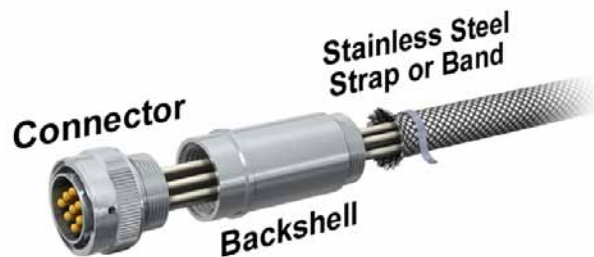
There is a tendency for the finish of the aluminum ring to crack and expose base metal when the ring is formed to the backshell. Under certain conditions, these cracks promote corrosion which affects the conductivity path. In extreme instances, the rings have corroded so badly that they have fallen off. Environmental sealing can be obtained by using jacketed cable and a heat-shrinkable boot over the assembly.

## CRIMP RING BACKSHELLS

Crimp Ring shield terminations are similar to Magnetic Forming except that the ring is crimped to the backshell with a hydraulic tool. Some users do not like this concept in that there can be areas of little or no contact when using a hex-crimp die. A new method which eliminates any voids has been developed. This method produces a circumferential crimp using a stainless steel ring. Use of the circumferential crimp and stainless steel ring eliminates any possibility of the ring corrosion problems associated with magnetic forming. Crimp Ring terminations have the same strain relief, environmental and field repair parameters as those of Magnetic Forming.

## STAINLESS STEEL STRAP BACKSHELLS

As noted above, Magnetic Forming and Crimp Ring terminations are not easily field repairable. The Cone and Ring, Light Bulb Thread and Compression Spring methods are field repairable but require some level of skill and care in assembly and disassembly to avoid damage to the braided shield.



**Figure 4.** Stainless Steel Strap Backshell Assembly.

The Stainless Steel Strap was developed in an effort to circumvent these shortcomings. The Stainless Steel Strap resembles a metal cable tie and is tensioned by a tool. The strap is held in place by the tension applied to the strap locking mechanism by the hand tool. Easily field repairable, the procedure requires no special assembly skill. The backshells have no provision for strain relief, but environmental sealing is obtained by using jacketed cable and a heat-shrinkable boot over the assembly.

As can be seen, the designer has a wide variety of terminations and features to choose from. The characteristics and features of each termination type are summarized in the following table.

Termination Type	Strain Relief	Environmental	Field Repairable	Required Skill	MIL SPEC	Vibration Resistance	Initial Tooling
<b>Cone And Ring</b>	Yes	Yes	Yes	Moderate	Yes	Good	None
<b>Light Bulb Thread</b>	No	Yes <sup>▲</sup>	Yes	Moderate	No	Good	None
<b>Compression Spring</b>	Yes	Yes	Yes	Low	No	Good	None
<b>Magnetic Forming</b>	No	Yes <sup>▲</sup>	No	Low	No	Excellent	\$40,000
<b>Crimp Ring</b>	No	Yes <sup>▲</sup>	No	Low	No	Excellent	\$3,000
<b>Stainless Steel Strap</b>	No	Yes <sup>▲</sup>	Yes	Low	Yes	Excellent	\$1,500

▲ Only if used with jacketed cable and heat-shrinkable boot.

## ENVIRONMENTAL EMI/RFI BACKSHELLS

Environmental EMI/RFI Backshells resist both physical and electrical contamination. As shown in the table above, they are available with all termination types. Due to the severe operating environments connectors are subjected to today, they have become the most widely used backshell for Military applications.

## GROMMET NUTS

Grommet Nuts can be described as metal rings with inside threads. They were originally designed for use with solder contact connectors to provide environmental sealing. Since solder contacts are non-removable and must be wired in place, the rear sealing grommet is supplied as a loose piece. The wires are threaded through their respective holes in the grommet, and the grommet is positioned over the wired contacts when soldering is completed. As the Grommet Nut is tightened, it holds the grommet in place and compresses it around the individual wires to effect an environmental seal.

All new Military specification connectors released since the early 1970s have crimp contacts. Grommets of crimp contact connectors are self-sealing and are a non-removable component. These features make the use of Grommet Nuts redundant for sealing purposes. Their only function on a crimp contact connector would be to protect the rear accessory threads and teeth of the connector or to protect the outside of the grommet if it extends beyond the rear connector shell.

Paragraph 3.14.14 of MIL-W-5088, Revision K, dated 24 December 1984 states "Circular electrical connectors shall be provided with strain relief accessories in accordance with MIL-C-85049". Since Grommet Nuts provide no cable support, it is our recommendation that they should not be used.

## POTTING BOOTS AND RINGS

In the 1950s, encapsulation potting of electronic components and assemblies was introduced as a method of environmental sealing. Potting became a popular means of sealing connectors since it produced a more positive seal than the rubber grommets in use at the time. Weight reduction was also achieved because potting eliminated the need for grommets, ferrules, backshells and strain reliefs.

Potting Boots act as molds or forms to contain the liquid potting compound until it sets or "cures". Potting Rings are used to attach the Potting Boot to the rear of a connector, however, some Potting Boots are designed to fit the connector without the use of a Potting Ring.

Two characteristics of potting led to its decline in popularity. One is that potted assemblies are not field repairable. The second, and more serious, surfaced in the early days of the Vietnam conflict. The Air Force began losing an inordinate number of F84 aircraft due to catastrophic electrical failures. The problem was traced to components which had been potted. Due to the climate and operating conditions, the potting compound began to revert. It became fluid again and, in the case of connectors, ran out the back of the potting boot, leaving the wire bundle unsealed and vulnerable to shorting. Although new compounds were formulated to eliminate the problem, the Military opted for the use of improved, redesigned connectors using synthetic rubber sealing grommets and removable crimp contacts. In commercial applications, potting is an acceptable method of termination.

## SHRINK BOOTS AND ADAPTERS

Shrink Boots are used to environmentally seal a jacketed cable to a connector. The Shrink Boot Adapter is a specially designed backshell which attaches to the connector's accessory threads and provides the necessary gripping area for the Shrink Boot.

The Shrink Boot and Adapter are slipped over the cable and after wiring is completed, the Adapter is attached to the connector. The Shrink Boot is positioned over the Adapter and the jacketed cable. As heat is applied to the Shrink Boot (usually with an electric hot air gun), it shrinks tightly around the Adapter and cable forming an environmental seal.

In addition to the basic configurations defined in MIL-DTL-85049, manufacturers offer a number of Shrink Boot termination variations including Crimp Ring, Cone and Ring, Integral Woven Braid, Stainless Steel Band and Light Bulb Thread.

## STRAIN RELIEFS AND CABLE CLAMPS

Movement of a cable can produce stress which, as it is transmitted toward the connector, can result in wire breakage, wires coming loose from the contacts, contacts being pulled out of the insert or any number of disastrous consequences. The function of a strain relief device is to hold or grip the cable fast at some point anterior to the location where any damage can potentially occur. Any stress or strain on the cable is then transferred through the strain relief to the connector shell and the area of potential damage is thereby protected.

One point that has always presented some confusion is the interchangeable use of the terms Cable Clamp and Strain Relief. We feel that we have resolved this problem by virtue of the following definitions:

**CABLE CLAMP** - Any cable support or clamping device which requires the use of an intermediate component for attachment to the back (wiring side) of the connector.

**STRAIN RELIEF** - Any cable support or clamping device that attaches directly to the body of the connector.

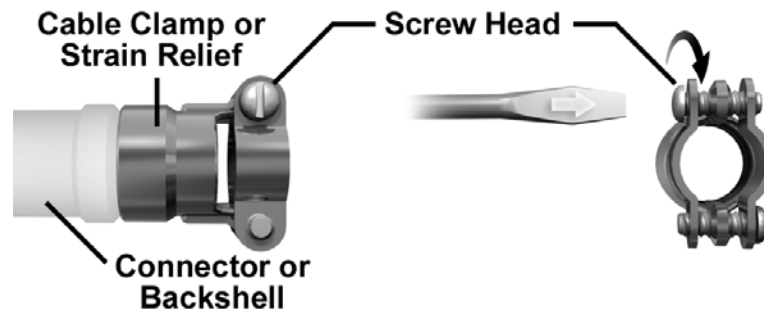




## PROPER ASSEMBLY OF STRAIN RELIEFS & CABLE CLAMPS

Cable Clamps and Strain Reliefs are usually shipped unassembled. The reason for this is that unless a cable of minimum diameter is used, the clamp must be disassembled prior to use. On all Cable Clamps and Strain Reliefs which utilize two straps (or saddle bars), care must be exercised to assure proper assembly. Although no M85049, MS or NAS drawing mandates screw orientation or that the clamp be assembled when shipped, there is a proper and preferred method of assembly. This method is defined in Air Force Document T01-1A-14.

Referring to the illustration below, note that the clamp screw heads are oriented so that any torquing force applied with a screw driver is in a direction that will tighten rather than loosen the attachment between the Strain Relief and the connector or backshell to which it is fastened.



## BULKHEAD ADAPTERS (NOT ILLUSTRATED)

These accessories are used when it is necessary to route a cable through a bulkhead or panel. Bulkhead Adapters utilize flange or jam nut mount styles. They are available with environmental sealing, shield terminating, strain relief and angular options.

## CONDUIT FITTINGS (NOT ILLUSTRATED)

The increasing use in the 1930s of radio communication equipment in vehicles and aircraft led to the development of Conduit Fittings as the first EMI/RFI protective devices. The piston engines used at that time were notorious generators of electrical interference.

The resemblance between these parts and those found in a plumber's kit is more than coincidental. Many of the configurations that found their way into the Military system were based on the commercially available plumbing components first used to shield cabling from electrical interference. Conduit Fittings were replaced as more sophisticated connectors and shielding methods evolved over the years, and now are used mainly for feed-thru applications.

## DUMMY RECEPTACLES

Dummy Receptacles (sometimes called storage Receptacles) are devices used to protect a disconnected plug from physical damage as well as from moisture and particle contamination. Dummy Receptacles conform dimensionally to their connector counterparts except that they have no inserts or contacts, hence, the name Dummy Receptacle.

Many plug connectors have been damaged beyond repair because a disconnected cable was dropped or left lying on the floor. Attaching an unused cable to a panel mounted Dummy Receptacle keeps the plug out of harm's way and protects its mating surfaces and contacts. Dummy Receptacles also find use as plug holding fixtures on wire harness boards.

## DUST CAPS

Available for both plug and receptacle connectors, Dust Caps protect the mating surfaces of the connector from physical damage and seal the connector against particle and moisture contamination.

All Dust Caps consist basically of a cylindrical body closed at one end. Dust Caps for receptacles have either a gasket or 'O' ring for sealing. An optional component is an attachment method which assures that when the Dust Cap is not in use, it remains in the immediate area of the connector. While the Military has provisions for only two attachment configurations (sash chain or wire rope), various manufacturers offer several additional types (beaded chain, nylon rope, etc.) and a variety of finishes.



## GASKETS FOR FLANGE MOUNT RECEPTACLE

These Gaskets are configured to serve two purposes. Elastomeric Gaskets are used for environmental applications when it is necessary to seal the mating surfaces of the connector and mounting panel. Gaskets containing conductive material are used to ground the shell for EMI/ RFI protection. Although the range of available Military part numbers is limited, various manufacturers can supply Gaskets for any Military or commercial cylindrical connector series.



## MOUNTING NUTS FOR JAM NUT RECEPTACLE

Mounting Nuts are used to secure a jam nut receptacle to a panel. A recent revision to MS3186 has obsoleted several MS drawings. This new revision allows the use of new material and finishes.

## MOUNTING PLATES FOR FLANGE MOUNT RECEPTACLES

The usual way to mount a wall or box mount receptacle to a panel is to use four screws, flat washers, lock washers and nuts. This mounting hardware can be dropped or lost. Mounting Plates have captive self-locking nuts which eliminate this potential problem. The use of Mounting Plates also speeds up and simplifies the mounting of connectors on large panels where it is difficult or impossible for one person to do the installation using standard loose hardware. Mounting Plates are available in heavy, medium and light duty version.



## PIPE THREAD ADAPTERS

As the name implies, these Adapters provide the means to interface with conduit having pipe threads per American Standard Tapered Pipe Thread, ASA B21. Not covered by MIL-C-85049, these adapters are supplied by several manufacturers and are shown in Section 19.

## RUBBER BUSHING

Rubber Bushings are used in conjunction with Cable Clamps and serve two basic purposes. When the wire harness diameter is smaller than the minimum opening of the clamp, Rubber Bushings of incremental sizes are telescoped to build up the cable diameter. Bushings are also used to protect the wire bundle in the clamping area of the Strain Relief.

## SHIELD TERMINATIONS

These devices are used to terminate shields of individual wires in the cable bundle. A variety of configurations are available for individual or mass termination.

## SHORTING CANS

Shorting Cans provide a total enclosure for the rear of a connector. They are used for the fabrication of shorting plugs, special purpose test connectors or for the installation of discrete components.

## CATALOG ORGANIZATION

Each section in Catalog 402 is devoted to a specific Connector Accessory function. The various configurations are listed in the Table of Contents on [page I](#).

## IDENTIFICATION OF A PART NUMBER

Section 19D (Cross Reference/Index) at the end of this catalog serves as a quick reference for identification of known part numbers. Each part number in the Index is identified with a brief description of the part. The description of a MIL-SPEC accessory is preceded by its associated Military Specification and followed by its corresponding Spacecraft part number shown in parentheses. If more detailed information is needed, refer to the page number shown following each description.

To keep the number of Index entries to a manageable amount, we have "abbreviated" most part numbers to their basic form. Significant root characters of each part number are shown while variables such as Shell Size, Dash Number, Finish, etc. are represented by a star (\*). Information on abbreviated characters can be found by referring to the part number breakdown shown on each accessory page.

## ACCESSORY SELECTION

Connector Accessories are generally selected to perform a specific task or function. Since this catalog is organized by accessory function, quick selection is possible by referring to



the Table of Contents and then turning to the section where the required accessory can be found. Make sure that the accessory selected is configured to the connector series or specification it is to be used on. The applicable connector series and/or specification for each accessory is noted at the top of each page.

A more specific method of selection is used when the commercial series or MIL-SPEC of the connector is known. Refer to the Quick Reference Table of Contents on page 1D-1 and turn to the page showing accessories for the connector series in question. The first column of each table lists all accessories available for that series. The following column(s) show basic part numbers for each accessory and the section where detailed information is found.



# SECTION 1D

## CONNECTOR ACCESSORY

### QUICK REFERENCE

SC30, SC50 & SCP Series (AS50151 Type) ..... 1D-2

SC7, SCPC, SCPT & SCPT\*S Series (MIL-DTL-26482 Type) ..... 1D-4

SCI, SC2 & SC3 Series (MIL-DTL-38999 Type) ..... 1D-6

SCPB Series (Reverse Bayonet)..... 1D-8

SCPDM & SCPDS Series ..... 1D-9

SWL Series ..... 1D-10

SWLD Series ..... 1D-11

# CONNECTOR ACCESSORY QUICK REFERENCE

## SC30, SC50 & SCP SERIES (AS50151 TYPE)

ACCESSORY	SOLDER	CRIMP FRONT OR REAR RELEASE	FOUND IN
<b>BACKSHELLS, ENVIRONMENTAL</b>			
STRAIGHT - CABLE SEALING GLAND	B002*BA	B002*AF	SECTION 2D
	-	B049AF11	
STRAIGHT - FOR ANAMET CONDUIT	B031*BA	B031*AF	
STRAIGHT - PG ADAPTER	B033*BA	B033*AF	
STRAIGHT - PIPE THREAD (PT) ADAPTER	B035*BA	B035*AF	
STRAIGHT - FOR SEALTITE™ LIQUIDTITE CONDUIT	B037*BA	B037*AF	
45° - CABLE SEALING GLAND	B002CC-BA	B002CC-AF*	
	-	B049AF07	
90° - CABLE SEALING GLAND	B002D-BA	B002D-AF*	
	-	B049AF09	
<b>BACKSHELLS, ENVIRONMENTAL EMI/RFI</b>			
STRAIGHT-CONE TYPE	B004*BA	B004*AF	SECTION 3D
	-	B049AF10	
STRAIGHT - INVERTED CONE TYPE	B015*BA	B015*AF	
STRAIGHT - 2 RING TYPE	B023*BA	B023*AF	
STRAIGHT - LIGHTWEIGHT	B043*BA	B043*AF	
45° - CONE TYPE	B004CC-AB	B004CC-AF	
	-	B049AF06	
45° - INVERTED CONE TYPE	B015CC-AB	B015CC-AF	
45° - 2 RING TYPE	B023CC-AB	B023CC-AF	
45° - LIGHTWEIGHT	B043CC-BA	B043CC*AF	
90° - CONE TYPE	B004*AB	B004*AF	
	-	B049AF08	
90° - INVERTED CONE TYPE	B015*AB	B015*AF	
90°-2 RING TYPE	B023*AB	B023*AF	
90° - LIGHTWEIGHT	B043D-BA	B043D*AF	
<b>BACKSHELLS, GROMMET NUTS</b>			
	-	B049AF31	SECTION 4D
	-	B049AF31S	
<b>BACKSHELLS, NON-ENVIRONMENTAL</b>			
STRAIGHT	B001A-BA	B001A-AF	SECTION 5D
	B001B-BA	B001B-AF	
45°	B001CC-BA	B001CC-AF	
90°	B001D-BA	B001D-AF	
<b>BACKSHELLS, NON-ENVIRONMENTAL EMI/RFI</b>			
STRAIGHT-CONE TYPE	B003*BA	B003*AF	SECTION 6D
	-	B049AF25	
STRAIGHT - INVERTED CONE TYPE	B014*BA	B014*AF	
STRAIGHT - LIGHTWEIGHT	B042*BA	B042*AF	
45° - CONE TYPE	B003CC	B003CC	
	-	B049AF23	
45° - INVERTED CONE TYPE	B014CC-BA	B014CC*AF	
45° - LIGHTWEIGHT	B042CC-BA	B042CC*AF	
90° - CONE TYPE	B003D-BA	B003D*AF	
	-	B049AF24	
90° - INVERTED CONE TYPE	B014D-BA	B014D*AF	
90° - LIGHTWEIGHT	B043D-BA	B043D*AF	
<b>BACKSHELLS, POTTING BOOTS &amp; RINGS</b>			
	NOTE 1	NOTE 1	SECTION 7D
<b>BACKSHELLS, SHIELD TERMINATIONS</b>			
STRAIGHT - CRIMP RING FOR SHRINK BOOT	B005*BA	B005*AF	SECTION 8D
STRAIGHT - CRIMP RING TYPE	B007*BA	B007*AF	
STRAIGHT - ADAPTER ONLY	-	B049AF26-1	
STRAIGHT - ADAPTER & CRIMP RING	-	B049AF26-3	
STRAIGHT - SHIELD BAND	-	B049AF82	

\* Additional alpha-numeric are required to complete part number.  
NOTE 1: Contact sales department for part numbers and availability.

Continued on Next Page





# CONNECTOR ACCESSORY QUICK REFERENCE

(AS50151 TYPE) SC30, SC50 & SCP SERIES

1D

Continued from Previous Page

ACCESSORY	SOLDER	CRIMP FRONT OR REAR RELEASE	FOUND IN
<b>BACKSHELLS, SHIELD TERMINATIONS (CONT.)</b>			
45° - CRIMP RING FOR SHRINK BOOT	B005CC*BA	B005CC*AF	SECTION 8D
45° - CRIMP RING TYPE	B007CC*BA	B007CC*AF	
45° - SHIELD BAND	-	B049AF83	
90° - CRIMP RING FOR SHRINK BOOT	B005D*BA	B005D*AF	
90° - CRIMP RING TYPE	B007D*BA	B007D*AF	
90° - SHIELD BAND	-	B049AF84	
SHIELD CRIMP RING ONLY	B049AF26-2	B049AF26-2	
<b>BACKSHELLS, SHORTING CANS</b>			
	B012*BA	B012*AF	SECTION 9D
	B013*BA	B013*AF	
<b>BACKSHELLS, SHRINK BOOT ADAPTERS</b>			
STRAIGHT BOOT ADAPTER	B006A*BA	B006A*AF	SECTION 10D
	B006B*BA	B006B*AF	
	-	B049AF60-1	
	-	B049AF60-2	
<b>BACKSHELLS, STRAIN RELIEF/CABLE CLAMPS</b>			
STRAIGHT - CABLE CLAMP	MS3057-*A	-	SECTION 11D
	MS3057-*B	-	
	MS3057-*C	-	
STRAIGHT - STRAIN RELIEF	-	B049AF52	
	-	B049AF52S	
	-	B049AF53	
	-	B049AF66	
45° - STRAIN RELIEF	-	B049AF43	
	-	B049AF54	
90° - STRAIN RELIEF	-	B049AF51	
	-	B049AF51S	
	-	B049AF55	
	-	B049AF55G	
	-	B049AF55S	
<b>DUMMY RECEPTACLES</b>			
	DRP01	DRP01	SECTION 12D
	DRP13	DRP13	
	SC3105	SC3105	
	SC1196	SC1196	
<b>DUST CAPS</b>			
METAL, FOR PLUG	DCP01	DCP01	SECTION 12D
	SCP25042-*	SCP25042-*	
METAL, FOR RECEPTACLE	DCR01	DCR01	
	SCP25043-*	SCP25043-*	
<b>GASKET FOR FLANGE MOUNT RECEPTACLES</b>			
EMI/RFI	930-Series	930-Series	SECTION 13D
ENVIRONMENTAL	SCP101949-*	SCP150949-*	
<b>JAM NUTS</b>			
	SC3186-*	SC3186-*	SECTION 14D
<b>MOUNTING PLATES</b>			
	B049AF94	B049AF94	SECTION 15D
	B049AF95	B049AF95	
	B049AF96	B049AF96	
<b>RUBBER BUSHINGS</b>			
	MS3420-*	MS3420-*	SECTION 16D
	MS3420-*A	MS3420-*A	
<b>SEALING PLUGS</b>			
	MS25251	-	SECTION 17D
	MS27488	MS27488	

\* Additional alpha-numeric are required to complete part number.  
NOTE 1: Contact sales department for part numbers and availability.

# CONNECTOR ACCESSORY QUICK REFERENCE

SC7, SCPC, SCPT & SCPT\*S SERIES (MIL-DTL-26482 TYPE)

ACCESSORY	SCPC	SCPT	SC7 REAR RELEASE	FOUND IN
<b>BACKSHELLS, ENVIRONMENTAL</b>				
STRAIGHT - CABLE SEALING GLAND	B002*BA	B002*BA	B002*AF	SECTION 2D
	-	-	B049AF11	
STRAIGHT - FOR ANAMET CONDUIT	B031*BA	B031*BA	B031*AF	
STRAIGHT - FOR PG ADAPTER	B033*BA	B033*BA	B033*AF	
STRAIGHT - PIPE THREAD (PT) ADAPTERS	B035*BA	B035*BA	B035*AF	
STRAIGHT - FOR SEALTITE™ LIQUIDTITE CONDUIT	B037*BA	B037*BA	B037*AF	
45° - CABLE SEALING GLAND	B002CC-BA	B002CC-BA	B002CC-AF	
	-	-	B049AF07	
90° - CABLE SEALING GLAND	B002D-BA	B002D-BA	B002D-AF	
	-	-	B049AF09	
<b>BACKSHELLS, ENVIRONMENTAL EMI/RFI</b>				
STRAIGHT-CONE TYPE	B004*BA	B004*BA	B004*AF	SECTION 3D
	-	-	B049AF10	
STRAIGHT - INVERTED CONE TYPE	B015*BA	B015*BA	B015*AF	
STRAIGHT-2 RING TYPE	B023*BA	B023*BA	B023*AF	
STRAIGHT - LIGHTWEIGHT	B043*BA	B043*BA	B043*AF	
45° - CONE TYPE	B004CC-BA	B004CC-BA	B004CC-AF	
	-	-	B049AF06	
45° - INVERTED CONE TYPE	B015CC-BA	B015CC-BA	B015CC-AF	
45°-2 RING TYPE	B023CC-BA	B023CC-BA	B023CC-AF	
45° - LIGHTWEIGHT	B043CC-BA	B043CC-BA	B043CC*AF	
90° - CONE TYPE	B004D-BA	B004D-BA	B004D-AF	
	-	-	B049AF08	
90° - INVERTED CONE TYPE	B015D-BA	B015D-BA	B015D-AF	
90° - 2 RING TYPE	B023D-BA	B023D-BA	B023D-AF	
90° - LIGHTWEIGHT	B043D-BA	B043D-BA	B043D*AF	
<b>BACKSHELLS, GROMMET NUTS</b>				
	-	-	B049AF31	SECTION 4D
	-	-	B049AF31S	
<b>BACKSHELLS, NON-ENVIRONMENTAL</b>				
STRAIGHT	B001A-BA	B001A-BA	B001A-AF	SECTION 5D
	B001B-BA	B001 B-BA	B001B-AF	
45°	B001CC-BA	B001CC-BA	B001CC-AF	
90°	B001D-BA	B001 D-BA	B001D-AF	
<b>BACKSHELLS, NON-ENVIRONMENTAL EMI/RFI</b>				
STRAIGHT-CONE TYPE	B003*BA	B003*BA	B003*AF	SECTION 6D
	-	-	B049AF25	
STRAIGHT - INVERTED CONE TYPE	B014*BA	B014*BA	B014*AF	
STRAIGHT - LIGHTWEIGHT	B042*BA	B042*BA	B042*AF	
45° - CONE TYPE	B003CC-BA	B003CC-BA	B003CC*AF	
	-	-	B049AF23	
45° - INVERTED CONE TYPE	B014CC-BA	B014CC-BA	B014CC*AF	
45° - LIGHTWEIGHT	B042CC-BA	B042CC-BA	B042CC*AF	
90° - CONE TYPE	B003D-BA	B003D-BA	B003D*AF	
	-	-	B049AF24	
90° - INVERTED CONE TYPE	B014D-BA	B014D-BA	B014D*AF	
90° - LIGHTWEIGHT	B042D-BA	B042D-BA	B042D*AF	
<b>BACKSHELLS, POTTING BOOTS &amp; RINGS</b>				
	SC3185-*	SC3185-*	NOTE 1	SECTION 7D
<b>BACKSHELLS, SHIELD TERMINATIONS</b>				
STRAIGHT - CRIMP RING FOR SHRINK BOOT	B005*BA	B005*BA	B005*AF	SECTION 8D
STRAIGHT - CRIMP RING TYPE	B007*BA	B007*BA	B007*AF	
STRAIGHT - ADAPTER ONLY	-	-	B049AF26-1	
STRAIGHT - ADAPTER & CRIMP RING	-	-	B049AF26-3	
STRAIGHT - SHIELD BAND	-	-	B049AF82	

\* Additional alpha-numeric are required to complete part number.  
NOTE 1: Contact sales department for part numbers and availability.

Continued on Next Page



# CONNECTOR ACCESSORY QUICK REFERENCE

(MIL-DTL-26482 TYPE) SC7, SCPC, SCPT & SCPT\*S SERIES

Continued from Previous Page

1D

ACCESSORY	SCPC	SCPT	SC7 REAR RELEASE	FOUND IN
<b>BACKSHELLS, SHIELD TERMINATIONS (CONT.)</b>				
45° - CRIMP RING FOR SHRINK BOOT	B005CC*BA	B005CC*BA	B005CC*AF	SECTION 8D
45° - CRIMP RING TYPE	B007CC*BA	B007CC*BA	B007CC*AF	
45° - SHIELD BAND	-	-	B049AF83	
90° - CRIMP RING FOR SHRINK BOOT	B005D*BA	B005D*BA	B005D*AF	
90° - CRIMP RING TYPE	B007D*BA	B007D*BA	B007D*AF	
90° - SHIELD BAND	-	-	B049AF84	
SHIELD CRIMP RING ONLY	B049AF26-2	B049AF26-2	B049AF26-2	
<b>BACKSHELLS, SHORTING CANS</b>				
	B012*BA	B012*BA	B012*AF	SECTION 9D
	B013*BA	B013*BA	B013*AF	
<b>BACKSHELLS, SHRINK BOOT ADAPTERS</b>				
STRAIGHT BOOT ADAPTER	B006A*BA	B006A*BA	B006A*AF	SECTION 10D
	B006B*BA	B006B*BA	B006B*AF	
	-	-	B049AF60-1	
	-	-	B049AF60-2	
<b>BACKSHELLS, STRAIN RELIEF/CABLE CLAMPS</b>				
STRAIGHT CABLE CLAMP	MS3057-*A	MS3057-*A	-	SECTION 11D
	MS3057-*B	MS3057-*B	-	
	MS3057-*C	MS3057-*C	-	
STRAIGHT - STRAIN RELIEF	-	-	B049AF52	
	-	-	B049AF52S	
	-	-	B049AF53	
	-	-	B049AF66	
45° STRAIN RELIEF	-	-	B049AF43	
	-	-	B049AF54	
90° STRAIN RELIEF	-	-	B049AF51	
	-	-	B049AF51S	
	-	-	B049AF55	
	-	-	B049AF55G	
	-	-	B049AF55S	
<b>DUMMY RECEPTACLES</b>				
	DRP18	DRP04	DRP04	SECTION 12D
	-	SCP3115-*	SCP3115-*	
<b>DUST CAPS</b>				
METAL, FOR PLUG	DCP18	DCP04	DCP04	SECTION 12D
	SCP101955-*	SCP3180-*	SCP3180-*	
METAL, FOR RECEPTACLE	DCR18	DCR04	DCR04	
	SCP101950-*	SCP3181-*	SCP3181-*	
	SCP101951-*	-	-	
	SCP101956-*	-	-	
<b>GASKET FOR FLANGE MOUNT RECEPTACLES</b>				
EMI/RFI	930-Series	930-Series	930-Series	SECTION 13D
ENVIRONMENTAL	SCP101949-*	SCP150949-*	SCP150949-*	
<b>JAM NUTS</b>				
	SC3186-*	SC3186-*	SC3186-*	SECTION 14D
<b>MOUNTING PLATES</b>				
	B049AF94	B049AF94	B049AF94	SECTION 15D
	B049AF95	B049AF95	B049AF95	
	B049AF96	B049AF96	B049AF96	
<b>RUBBER BUSHINGS</b>				
	MS3420-*	MS3420-*	MS3420-*	SECTION 16D
	MS3420-*A	MS3420-*A	MS3420-*A	
<b>SEALING PLUGS</b>				
	MS3187-*	MS3187-*	-	SECTION 17D
	MS25251-*	MS25251-*	-	

\* Additional alpha-numeric are required to complete part number.  
NOTE 1: Contact sales department for part numbers and availability.

# CONNECTOR ACCESSORY QUICK REFERENCE

## SC1, SC2 & SC3 SERIES (MIL-DTL-38999 TYPE)

ACCESSORY	SERIES I	SERIES II	SERIES III	FOUND IN
<b>BACKSHELLS, ENVIRONMENTAL</b>				
STRAIGHT CABLE SEALING GLAND	B002*BF	B002*BF	B002*BG	SECTION 2D
STRAIGHT - ANAMET CONDUIT	B031*BF	B031*BF	B031*BG	
STRAIGHT - FOR PG ADAPTERS	B033*BF	B033*BF	B033*BG	
STRAIGHT - FOR PIPE THREAD (PT) ADAPTERS	B035*BF	B035*BF	B035*BG	
STRAIGHT - FOR SEALTITE™ LIQUIDTITE CONDUIT	B037*BF	B037*BF	B037*BG	
45° CABLE SEALING GLAND	B047*BF	B047*BF	B047*BG	
90° CABLE SEALING GLAND	B047*BF	B047*BF	B047*BG	
<b>BACKSHELLS, ENVIRONMENTAL EMI/RFI</b>				
STRAIGHT-CONE TYPE	B004*BF	B004*BF	B004*BG	SECTION 3D
	B049BF17	B049BF17	B049BG18	
STRAIGHT - INVERTED CONE TYPE	B015*BF	B015*BF	B015*BG	
STRAIGHT - 2 RING TYPE	B023*BF	B023*BF	B023*BG	
STRAIGHT - LIGHTWEIGHT	B043*BF	B043*BF	B043*BG	
45° - CONE TYPE	B004*BF	B004*BF	B004*BF	
	B049BF77	B049BF77	B049BG78	
45° - INVERTED CONE TYPE	B015*BF	B015*BF	B015*BG	
45° - 2 RING TYPE	B023*BF	B023*BF	B023*BG	
45° - LIGHTWEIGHT	B043*BF	B043*BF	B043*BG	
90° - CONE TYPE	B004*BF	B004*BF	B004*BF	
	B049BF76	B049BF76	B049BG79	
90° - INVERTED CONE TYPE	B015*BF	B015*BF	B015*BG	
90° - 2 RING TYPE	B023*BF	B023*BF	B023*BG	
90° - LIGHTWEIGHT	B043*BF	B043*BF	B043*BG	
<b>BACKSHELLS, GROMMET NUTS</b>				
	B049BF27	B049BF27	B049BG14S	SECTION 4D
	B049BF27S	B049BF27S	-	
<b>BACKSHELLS, NON-ENVIRONMENTAL</b>				
STRAIGHT	B001*BF	B001*BF	B001*BG	SECTION 5D
	B049BF29	B049BF29	B049BG21	
45°	B001*BF	B001*BF	B001*BF	
90°	B001*BF	B001*BF	B001*BF	
<b>BACKSHELLS, NON-ENVIRONMENTAL EMI/RFI</b>				
STRAIGHT-CONE TYPE	B003*BF	B003*BF	B003*BG	SECTION 6D
	B049BF36	B049BF36	B049BG19	
STRAIGHT - INVERTED CONE TYPE	B014*BF	B014*BF	B014*BG	
STRAIGHT-2 RING TYPE	B023*BF	B023*BF	B023*BG	
STRAIGHT - LIGHTWEIGHT	B042*BF	B042*BF	B042*BG	
45° - CONE TYPE	B003*BF	B003*BF	B003*BF	
45° - INVERTED CONE TYPE	B014*BF	B014*BF	B014*BG	
45°-2 RING TYPE	B023*BF	B023*BF	B023*BG	
45° - LIGHTWEIGHT	B042*BF	B042*BF	B042*BG	
90° - CONE TYPE	B003*BF	B003*BF	B003*BF	
	B049BF37	B049BF37	-	
90° - INVERTED CONE TYPE	B014*BF	B014*BF	B014*BG	
90° - 2 RING TYPE	B023*BF	B023*BF	B023*BG	
90° - LIGHTWEIGHT	B042*BF	B042*BF	B042*BG	
<b>BACKSHELLS, POTTING BOOTS &amp; RINGS</b>				
POTTING BOOT	B049BF74	B049BF74	NOTE 1	SECTION 7D
	B049BF75	B049BF75	NOTE 1	
POTTING BOOT RING	B049BF58	B049BF58	NOTE 1	
	B049BF61	B049BF61	NOTE 1	
<b>BACKSHELLS, SHIELD TERMINATIONS</b>				
STRAIGHT - CRIMP RING FOR SHRINK BOOT	B005*BF	B005*BF	B005*BG	SECTION 8D
STRAIGHT-CRIMP RING	B007*BF	B007*BF	B007*BG	
	B049BF30	B049BF30	B049BG20	
	B049BF33-1	B049BF33-1	B049BG88	
	B049BF85	B049BF85	-	
45° - CRIMP RING FOR SHRINK BOOT	B005*BF	B005*BF	B005*BG	
45° -CRIMP RING	B007*BF	B007*BF	B007*BG	
	B049BF86	B049BF86	-	

\* Additional alpha-numeric are required to complete part number.  
NOTE 1: Contact sales department for part numbers and availability.

Continued on Next Page



# CONNECTOR ACCESSORY QUICK REFERENCE

(MIL-DTL-38999 TYPE) SC1, SC2 & SC3 SERIES

Continued from Previous Page

1D

ACCESSORY	SERIES I	SERIES II	SERIES III	FOUND IN
<b>BACKSHELLS, SHIELD TERMINATIONS (CONT.)</b>				
90° - CRIMP RING FOR SHRINK BOOT	B005*BF	B005*BF	B005*BG	SECTION 8D
90° - CRIMP RING	B007*BF	B007*BF	B007*BG	
	B049BF32-1	B049BF32-1	-	
	B049BF87	B049BF87	-	
SHIELD CRIMP RING	B049AF26-2	B049AF26-2	B049AF26-2	
<b>BACKSHELL, SHORTING CANS</b>				
	B012*BF	B012*BF	B012*BG	SECTION 9D
	B013*BF	B013*BF	B013*BG	
<b>BACKSHELLS, SHRINK BOOT ADAPTERS</b>				
STRAIGHT BOOT ADAPTER	B006A*BF	B006A*BF	B006A*BG	SECTION 10D
	B006B*BF	B006B*BF	B006B*BG	
	B049BF62	B049BF62	B049BG69	
<b>BACKSHELLS, STRAIN RELIEFS/CABLE CLAMPS</b>				
STRAIGHT STRAIN RELIEF	B049BF45	B049BF45	B049BG38	SECTION 11D
	B049BF49-1	B049BF49-1	-	
	B049BF49-2	B049BF49-2	-	
	B049BF-2S	B049BF49-2S	-	
	B049BF56	B049BF56	-	
	B049BF64	B049BF64	-	
45° STRAIN RELIEF	B038C*BF	B038C*BF	B038C*BG	
	B039CBF	B039CBF	B039CBG	
	B049BF57	B049BF57	B049BG15G	
	B049BF57G	B049BF57G	B049BG15S	
90° STRAIN RELIEF	B049BF57S	B049BF57S	-	
	B038D*BF	B038D*BF	B038D*BG	
	B039D*BF	B039D*BF	B039D*BG	
	B049BF46	B049BF46	B049BG16G	
	B049BF47	B049BF47	B049BG16S	
	B049BF47S	B049BF47S	B049BG39	
	B049BF63	B049BF63	B049BG39S	
	B049BF63G	B049BF63G	-	
B049BF63S	B049BF63S	-		
B049BF65	B049BF65	-		
<b>DUMMY RECEPTACLES</b>				
FOR PLUG	DRP07	DRP08	DRP09	SECTION 12D
	SC9999-*	SC99910-*	SC99922-*	
<b>DUST CAPS</b>				
METAL, FOR PLUG	DCP07	DCP08	DCP09*	SECTION 12D
	SC27501-*	SC27510-*	SC99932-*	
METAL, FOR RECEPTACLE	DCR07	DCR08	DCR09	
	SC27502-*	SC27511-*	SC99933-*	
<b>GASKET FOR FLANGE MOUNT RECEPTACLE</b>				
	930-Series	930-Series	930-Series	SECTION 13D
<b>JAM NUTS</b>				
	SC3186-*	SC3186-*	SC99928-*	SECTION 14D
<b>MOUNTING PLATES</b>				
	B049AF94	B049AF94	B049AF94	SECTION 15D
	B049AF95	B049AF95	B049AF95	
	B049AF96	B049AF96	B049AF96	
<b>RUBBER BUSHINGS</b>				
	MS3420	MS3420	MS3420	SECTION 16D
	MS3420-*A	MS3420-*A	MS3420-*A	
	229468-*	229468-*	229468-*	
	229469-*	229469-*	229469-*	
<b>SEALING PLUGS</b>				
	M85049/80	M85049/80	M85049/80	SECTION 18D
	MS27488-*	MS27488-*	MS27488-*	

\* Additional alpha-numerics are required to complete part number.  
NOTE 1: Contact sales department for part numbers and availability.





# CONNECTOR ACCESSORY QUICK REFERENCE

## SCPB SERIES (REVERSE BAYONET)

ACCESSORY	SOLDER or F80 CRIMP	FOUND IN
<b>BACKSHELLS, ENVIRONMENTAL</b>		
STRAIGHT - CABLE SEALING GLAND	B002*AB	SECTION 2D
STRAIGHT - FOR ANAMET CONDUIT	B031 A*AB	
STRAIGHT - FOR PG ADAPTER	B033A*AB	
STRAIGHT - FOR PIPE THREAD (PT) ADAPTERS	B035A*AB	
STRAIGHT - FOR SEALTITE™ LIQUIDTITE CONDUIT	B037A*AB	
45° - CABLE SEALING GLAND	B002CC-AB	
90° - CABLE SEALING GLAND	B002D-AB	
<b>BACKSHELLS, ENVIRONMENTAL EMI/RFI</b>		
STRAIGHT-CONE TYPE	B004*AB	SECTION 3D
STRAIGHT - INVERTED CONE	B015*AB	
STRAIGHT - 2 RING	B023*AB	
STRAIGHT - LIGHTWEIGHT	B043*AB	
45° - CONE TYPE	B004CC-AB	
45° - INVERTED CONE TYPE	B005CC-AB	
45° - 2 RING TYPE	B023CC-AB	
45° - LIGHTWEIGHT	B043CC-AB	
90° - CONE TYPE	B004D-AB	
90° - INVERTED CONE TYPE	B015D-AB	
90° - 2 RING TYPE	B023D-AB	
90° - LIGHTWEIGHT	B043D-AB	
<b>BACKSHELLS, NON-ENVIRONMENTAL</b>		
STRAIGHT	B001A-AB	SECTION 4D
	B001B-AB	
45°	B001CC-AB	
90°	B001D-AB	
<b>BACKSHELLS, NON-ENVIRONMENTAL EMI/RFI</b>		
STRAIGHT-CONE TYPE	B003*AB	SECTION 6D
STRAIGHT - INVERTED CONE TYPE	B014*AB	
STRAIGHT - LIGHTWEIGHT	B043*AB	
45° - CONE TYPE	B003CC-AB	
45° - INVERTED CONE TYPE	B014CC-AB	
45° - LIGHTWEIGHT	B042CC-AB	
90° - CONE TYPE	B003D-AB	
90° - INVERTED CONE TYPE	B014D-AB	
90° - LIGHTWEIGHT	B043D-AB	
<b>BACKSHELLS, POTTING BOOTS &amp; RINGS</b>		
	NOTE 1	SECTION 7D
<b>BACKSHELLS, SHIELD TERMINATIONS</b>		
STRAIGHT - CRIMP RING - FOR SHRINK BOOT	B005*AB	SECTION 8D
STRAIGHT - CRIMP RING TYPE	B007*AB	
45° - CRIMP RING - FOR SHRINK BOOT	B005CC*AB	
45° - CRIMP RING TYPE	B007CC*AB	
90° - CRIMP RING - FOR SHRINK BOOT	B005D*AB	
90°-CRIMP RING TYPE	B007D*AB	
SHIELD CRIMP RING	B049AF26-2	

ACCESSORY	SOLDER or F80 CRIMP	FOUND IN
<b>BACKSHELLS, SHORTING CANS</b>		
	B012*AB	SECTION 9D
	B013*AB	
<b>BACKSHELLS, SHRINK BOOT ADAPTERS</b>		
STRAIGHT BOOT ADAPTER	B006A*AB	SECTION 10D
	B006B*AB	
<b>BACKSHELLS, STRAIN RELIEF/CABLE CLAMPS</b>		
STRAIGHT - CABLE CLAMP	MS3057-*A	SECTION 11D
	MS3057-*B	
	MS3057-*C	
<b>DUMMY RECEPTACLES</b>		
	DRP19	SECTION 12D
	SCPB05-*	
<b>DUST CAPS</b>		
METAL, FOR PLUG	DCP19	SECTION 12D
	SCPB*TV	
METAL, FOR RECEPTACLE	DCR19	
	SCPB*TF	
<b>GASKET FOR FLANGE MOUNT RECEPTACLES</b>		
ENVIRONMENTAL - EMI/RFI	930-Series	SECTION 13D
ENVIRONMENTAL	MS51007-*	
	MS52000-*	
<b>JAM NUTS</b>		
	SC3186-*	SECTION 14D
<b>MOUNTING PLATES</b>		
	B049AF94	SECTION 15D
	B049AF95	
	B049AF96	
<b>RUBBER BUSHINGS</b>		
	MS3420-*	SECTION 16D
	MS3420-*A	
<b>SEALING PLUGS</b>		
	MS25251	SECTION 17D
	M527488	

\* Additional alpha-numeric are required to complete part number.  
NOTE 1: Contact Sales Department for part numbers and availability.



# CONNECTOR ACCESSORY QUICK REFERENCE

## SCPDM & SCPDS SERIES

1D

ACCESSORY TYPE	SCPDM9606 SCPDM9610 SCPDM9617 SCPDM9619 SCPDS00 Wall Mount Receptacle	SCPDM9607 SCPDM9609 SCPDM9624 In- Line Receptacle	SCPDM9612 Box Mount Receptacle	SCPDM9601 SCPDM9608 SCPDM9620 SCPDS04 Jam Nut Receptacle	SCPDM9700 thru SCPDM9728 SCPDS07 SCP14946 SCP17942 Plug	FOUND IN
<b>BACKSHELLS</b>						
Environmental EMI/RFI Straight	Note 1	Note 1	N/A	Note 1	Note 1	SECTION 3D
90°	Note 1	Note 1	N/A	Note 1	Note 1	
Non-Environmental Straight	Note 1	Note 1	N/A	Note 1	Note 1	SECTION 5D
<b>CABLE CLAMPS/ STRAIN RELIEFS</b>						
Straight or 90° Cable Clamp	MS3057*A	MS3057*A	N/A	MS3057*A	MS3057*A	SECTION 11D
	Note 1	Note 1	N/A	Note 1	Note 1	
<b>DUMMY RECEPTACLES</b>						
	N/A	N/A	N/A	N/A	DRP17 SCP14089 SCP14090	SECTION 12D
<b>DUST CAPS</b>						
	DCR17 SCP- DM9605-*	DCR17 SCP- DM9605-*	DCR17 SCP- DM9605-*	DCR17 SCP- DM9605-*	DCP17 SCP- DM9701 -*	SECTION 12D
<b>SEALING PLUGS</b>						
	MS27488-*	MS27488-*	N/A	MS27488-*	MS27488-*	SECTION 17D
<b>SHRINK BOOT ADAPTERS</b>						
	Note 1	Note 1	N/A	Note 1	Note 1	SECTION 10D

\* Additional alpha-numeric are required to complete part number.  
NOTE 1: Contact Sales Department for part numbers and availability.  
N/A = Not Applicable

# CONNECTOR ACCESSORY QUICK REFERENCE

## SWL SERIES

ACCESSORY	PART NUMBER	FOUND IN	
<b>BACKSHELLS, ENVIRONMENTAL</b>			
STRAIGHT - CABLE SEALING GLAND	SCP101333-*	Contact Sales	
	SCP101335-*		
STRAIGHT - CABLE SEALING GLAND - WITH KELLUMS GRIP	SCP101332-*		
	SCP101334-*		
	SCP113637-*		
STRAIGHT - CABLE SEALING ADAPTER	SCP113138-*		
	SCP113196-*	SECTION 2D	
	B002A-AM		
	B002B-AM		
STRAIGHT - FOR ANAMET CONDUIT	B031*AM		
STRAIGHT - FOR PG ADAPTERS	B033*AM		
STRAIGHT - FOR PIPE THREAD (PT) ADAPTERS	B035*AM		
STRAIGHT - FOR SEALTITE™ LIQUIDTITE CONDUIT	B037*AM		
45° - CABLE SEALING GLAND	B002CC-AM		
90° - CABLE SEALING GLAND	B002D-AM	SECTION 9D	
<b>BACKSHELLS, SHORTING CANS</b>			
	B012*AM		
	B013*AM	SECTION 10D	
<b>BACKSHELLS, SHRINK BOOT ADAPTERS</b>			
STRAIGHT BOOT ADAPTER	B006A-AM		
	B006B-AM	SECTION 11D	
<b>BACKSHELLS, STRAIN RELIEFS/CABLE CLAMPS</b>			
CABLE CLAMP	MS3057-*B		
	MS3057-*C		
INDIVIDUAL WIRE SEALING	SCP749**.*	SECTION 12D	
<b>DUMMY RECEPTACLES</b>			
	SCP1075**	SECTION 12D	
<b>DUST CAPS</b>			
METAL, FOR PLUG	SCP101046-*		
	SCP101531-*		
METAL, FOR RECEPTACLE	SCP101048-*		
	SCP101063-*	SECTION 13D	
<b>GASKET FOR FLANGE MOUNT RECEPTACLES</b>			
	SCP36675-*		
	SCP40450-*	SECTION 15D	
<b>MOUNTING PLATES</b>			
	NOTE 1	SECTION 16D	
<b>RUBBER BUSHINGS</b>			
	MS3420-*A		

\* Additional alpha-nums are required to complete part number.  
NOTE 1: Contact Sales Department for part numbers and availability.



# CONNECTOR ACCESSORY QUICK REFERENCE

## SWLD SERIES

1D

ACCESSORY	PART NUMBER	FOUND IN
<b>BACKSHELLS, ENVIRONMENTAL</b>		
STRAIGHT - CABLE SEALING ADAPTER	B002A-AK	SECTION 2D
	B002B-AK	
STRAIGHT - CABLE SEALING GLAND	B049AK03	Contact Sales
	B049AK04	
	B049AK05	
STRAIGHT - FOR ANAMET CONDUIT	B03TAK	SECTION 2D
STRAIGHT - FOR PG ADAPTER	B033*AK	
STRAIGHT - FOR PIPE THREAD (PT) ADAPTERS	B035*AK	
STRAIGHT - FOR SEALTITE™ LIQUIDTITE CONDUIT	B037*AK	
45° CABLE SEALING GLAND	B002CC-AK	
90° CABLE SEALING GLAND	B002D-AK	
<b>BACKSHELLS, SHORTING CANS</b>		
	B012*AK	SECTION 9D
	B013*AK	
<b>BACKSHELLS, SHRINK BOOT ADAPTERS</b>		
STRAIGHT BOOT ADAPTER	B006A-AK	SECTION 10D
	B006B-AK	
	B049AK59	
<b>BACKSHELLS, STRAIN RELIEFS/CABLE CLAMPS</b>		
CABLE CLAMP	MS3057-*B	SECTION 11D
	MS3057-*C	
INDIVIDUAL WIRE SEALING	SCP74191-*	
<b>DUMMY RECEPTACLES</b>		
	DRP02	SECTION 12D
	SCP18062-*	
<b>DUST CAPS</b>		
METAL, FOR PLUG	DCP02	SECTION 12D
	SCP17350-*	
METAL, FOR RECEPTACLE	DCR02	
	SCP17349-*	
<b>GASKET FOR FLANGE MOUNT RECEPTACLES</b>		
	SCP36675-*	SECTION 13D
	SCP40450-*	
<b>MOUNTING PLATES</b>		
	NOTE 1	SECTION 15D
<b>RUBBER BUSHINGS</b>		
	MS3420-*A	SECTION 16D

\* Additional alpha-numerics are required to complete part number.  
NOTE 1: Contact Sales Department for part numbers and availability.

# SUGGESTED BACKSHELL TORQUE VALUES

Spacecraft Components Corp. takes no responsibility for the suggested torque values stated on this page. They were obtained from members of SAE Technical Standards Committee (AE-8C1, Connectors and Accessories), and will be published in a future technical standard, ARP6151A.

Torque values used to assemble connectors, backshells, and other wiring system components are the responsibility of the user/installer to determine the best torque range for the application. It is also the responsibility of the user/installer to select the appropriate tool for the work and the user conditions/environment.

CIRCULAR ELECTRICAL CONNECTOR ACCESSORIES SUGGESTED TORQUE VALUES ( $\pm 5$ IN-LBS)		
SHELL SIZES	GROUP 1 Light & Medium Duty	GROUP 2 Heavy Duty
		AS50151 (MS3100 Series) MIL-DTL-26482 Series I MIL-DTL-26500 MIL-DTL-27599 MIL-DTL-38999 Series I, II MIL-C-81511 Series I, II, III, IV MIL-DTL-81703 Series I
8, 9, A	40*	56
3, 10, 10SL, 11, B	40*	76
7, 12, 12S, 13, C	40	108
14, 14S, 15, D	40	116
16, 16S, 17, E	40	116
18, 19, 27, F	40	116
20, 21, 37, G	80	136
22, 23, H	80	136
24, 25, 61, J	80	136
28, 29	120	148
32, 33	120	148
36	120	148
40	170	164
44	170	164
48	170	164

Indicates 35 Inch-Pounds for composite coupling nut.

NOTES: 1. Group 1 values based on 80% of MIL-DTL-85049 light duty thread strength.  
2. Use Group 1 values for composite connector accessories.

CABLE CLAMP SCREW SUGGESTED TORQUE VALUES	
SCREW SIZE	TORQUE (+/- .5 IN-LBS)
2 - 56	2
4 - 40	4
6 - 32	6
8 - 32	8
10 - 32	10
¼ - 20	12

JAM NUT INSTALLATION SUGGESTED TORQUE VALUES	
SHELL SIZE	INCH-POUNDS $\pm 5\%$
10	95
12	110
14	140
16	170
18	195
20	215
22	235
24	260

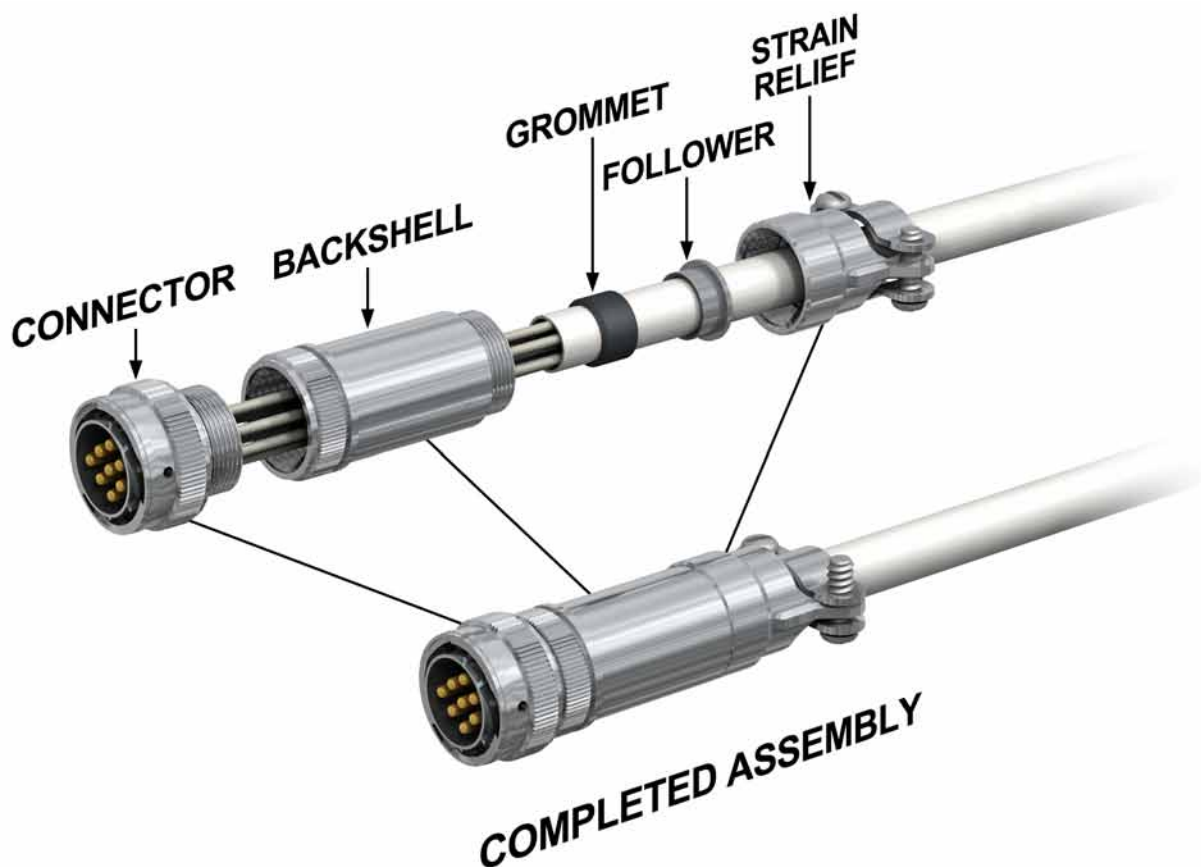
**CAUTION:** Over tightening (Torque) connectors, backshells, and other wiring system components can damage threads, metal or composite structure, or rubber components, and cause them to fail. Under-tightening (Torque) wiring system components can cause the components to loosen during use and fail.

Tightening or loosening system components beyond the specified range of a torque wrench may damage a torque wrench, and affect its accuracy and repeatability.





# SECTION 2D BACKSHELLS ENVIRONMENTAL

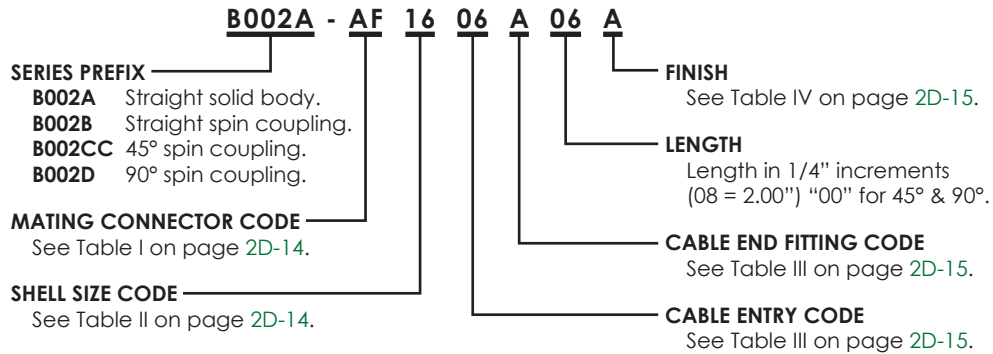


# ENVIRONMENTAL BACKSHELL, STRAIGHT, 45° & 90°

B002A, B002B, B002CC, B002D

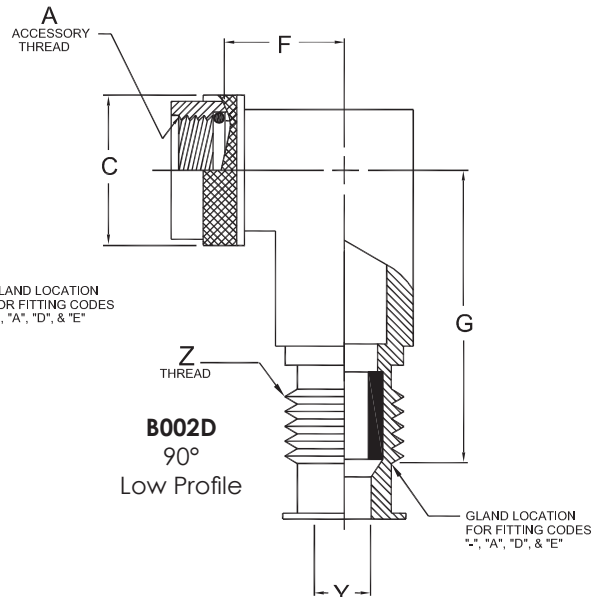
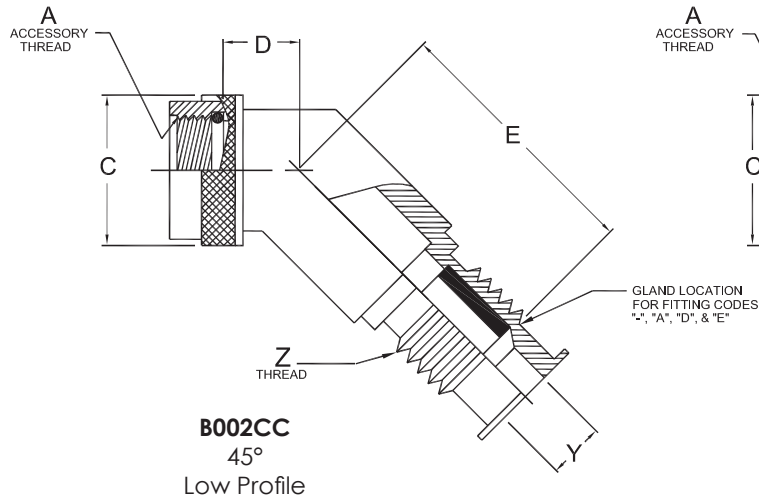
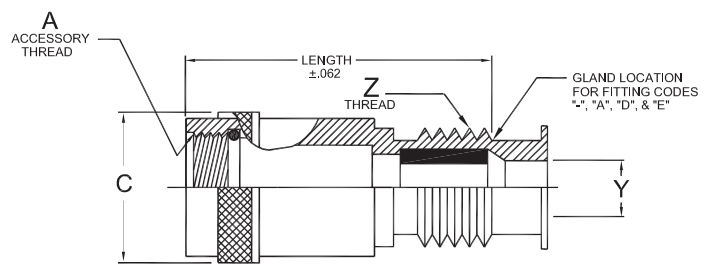
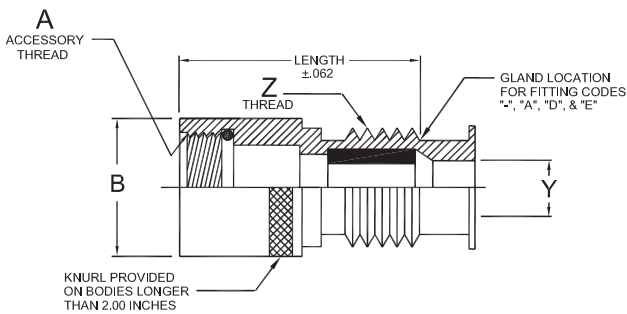
Various Series. See Table I on Page 2D-14.

## ORDERING INFORMATION



An interfacial adapter will be supplied when maximum cable entry exceeds the connector insert diameter. See Page 2D-12.

For dimensions Y and Z see Table III on Page 2D-15.



# ENVIRONMENTAL BACKSHELL, STRAIGHT, 45° & 90°

B002A, B002B, B002CC, B002D

A ACCESSORY THREAD	MATES WITH SHELL SIZE BELOW BY CONNECTOR CODE								B MAX.	C MAX.	D MAX.	E MAX.	F MAX.	G MAX.	
	AB	AF	AK	AM	BA	BB	BF								BG
			SWLD †	SWL †			SERIES								
	*1	*2			I	II	III								
.375-32UNEF	8S								.531	.688	.500	1.000	.750	1.125	
.438-28UNEF					8		9	8	.594	.688	.500	1.000	.750	1.125	
.500-20UNF		8 & 8S							.656	.617	.500	1.000	.750	1.125	
.500-28UNEF	10S			10					.656	.850	.500	1.000	.750	1.188	
M12x 1.0								9	.656	.688	.750	1.031	1.000	1.250	
.562-24UNEF					10		11	10	.719	.812	.750	1.031	1.000	1.250	
.625-24UNEF	10SL, 12 & 12S	10,10S & 10SL		12		8			.781	.875	.750	1.031	1.000	1.250	
M15x 1.0								11	.781	.812	.750	1.062	1.000	1.312	
.688-24UNEF					12		13	12	.844	.938	.812	1.062	1.062	1.312	
.750-20UNEF	14 & 14S	12&12S	12	14		10			.906	1.000	.812	1.062	1.062	1.312	
M18x 1.0								13	.906	.938	.812	1.125	1.062	1.312	
.812-20UNEF					14		15	14	.969	1.062	.812	1.125	1.062	1.375	
.875-20UNEF	16 & 16S	14&14S	14	16		12			1.031	1.125	.812	1.125	1.062	1.375	
M22x 1.0								15	1.031	1.062	.812	1.188	1.062	1.438	
.938-20UNEF					16		17	16	1.094	1.188	.844	1.188	1.125	1.438	
1.000-20UNEF	18	16&16S	16	18		14			1.156	1.250	.844	1.188	1.125	1.438	
M25x 1.0								17	1.156	1.188	.844	1.188	1.125	1.500	
1.062-18UNEF		18			18		19	18	1.219	1.312	.875	1.188	1.188	1.500	
1.125-18UNEF	20		18	20		16			1.281	1.375	.875	1.188	1.188	1.562	
M28x 1.0								19	1.281	1.312	.875	1.188	1.188	1.562	
1.188-18UNEF		20			20		21	20	1.344	1.438	.938	1.188	1.250	1.562	
1.250-18UNEF	22		20	22		18			1.406	1.500	.938	1.188	1.250	1.625	
M31 x 1.0								21	1.406	1.438	.938	1.250	1.250	1.625	
1.312-18UNEF		22			22		23	22	1.469	1.562	.938	1.250	1.250	1.625	
1.375-18UNEF	24		22	24		20			1.531	1.625	.938	1.250	1.250	1.625	
M34x 1.0								23	1.531	1.562	.938	1.312	1.250	1.750	
1.438-18UNEF		24			24		25	24	1.594	1.688	1.000	1.312	1.375	1.750	
1.500-18UNEF						22			1.656	1.688	1.000	1.312	1.375	1.750	
M37x 1.0								25	1.656	1.688	1.000	1.312	1.375	1.750	
1.625-18UNEF	28		24	28		24			1.844	1.969	1.000	1.312	1.375	1.750	
1.750-18UNS		28							1.969	2.094	1.000	1.438	1.375	1.812	
1.875-16UN	32		28	32					2.094	2.219	1.125	1.438	1.500	1.812	
2.000-18UNS		32							2.219	2.344	1.125	1.438	1.500	1.812	
2.062-16UNS	36		32	36					2.281	2.406	1.125	1.500	1.500	2.125	
2.250-16UN		36							2.469	2.594	1.125	1.500	1.500	2.250	
2.312-16UNS	40		36	40					2.531	2.656	1.250	1.500	1.625	2.250	
2.500-16UN		40							2.719	2.844	1.250	1.500	1.500	2.250	
2.625-16UN			40	44					2.844	2.969	1.250	1.500	1.625	2.375	
2.750-16UN		44							2.969	2.969	1.250	1.500	1.625	2.375	
2.875-16UN			44	48					3.094	3.281	1.250	1.500	1.625	2.375	
3.000-16UN		48							3.219	2.406	1.250	1.500	1.625	2.375	

\* 1 - Shell Sizes I, A, W, AS50151 (Crimp), MIL-DTL-26482 (Series 2)

\* 2 - Shell Sizes I, A, W, MIL-DTL-22992 Class C, J & R

† Left hand threads

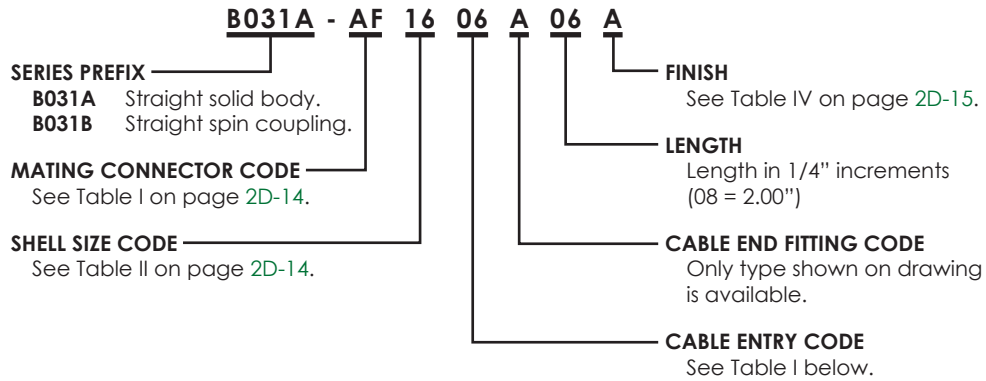
2D

# ENVIRONMENTAL BACKSHELL, STRAIGHT FOR ANAMET CONDUIT

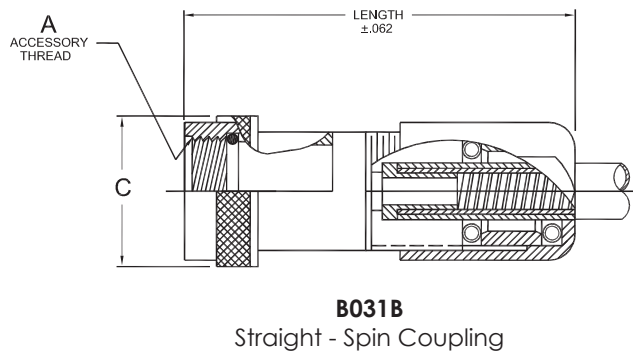
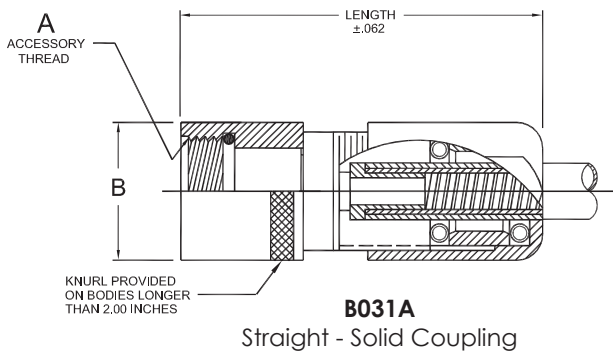
B031A, B031B

Various Series. See Table I on Page 2D-14.

## ORDERING INFORMATION



An interfacial adapter will be supplied when maximum cable entry exceeds the connector insert diameter. See Page 2D-12.



**TABLE I**

CODE	CONDUIT SIZE
01	3/8
02	1/2
03	3/4
04	1
05	1 1/4
06	1 1/2
07	2

Dimensions are in inches



# ENVIRONMENTAL BACKSHELL, STRAIGHT FOR ANAMET CONDUIT

B031A, B031B

2D

A ACCESSORY THREAD	MATES WITH SHELL SIZE BELOW BY CONNECTOR CODE								B MAX.	C MAX.	
	AB	AF	AK	AM	BA	BB	BF				BG
			SWLD†	SWL†			SERIES				
			*1				*2	I			II
.375-32UNEF	8S									.531	.688
.438-28UNEF					8		9	8		.594	.688
.500-20UNF		8 & 8S								.656	.617
.500-28UNEF	10S			10						.656	.850
M12x 1.0								9		.656	.688
.562-24UNEF					10		11	10		.719	.812
.625-24UNEF	10SL, 12 & 12S	10, 10S & 10SL		12		8				.781	.875
M15x 1.0								11		.781	.812
.688-24UNEF					12		13	12		.844	.938
.750-20UNEF	14 & 14S	12 & 12S	12	14		10				.906	1.000
M18x 1.0								13		.906	.938
.812-20UNEF					14		15	14		.969	1.062
.875-20UNEF	16 & 16S	14 & 14S	14	16		12				1.031	1.125
M22x 1.0								15		1.031	1.062
.938-20UNEF					16		17	16		1.094	1.188
1.000-20UNEF	18	16 & 16S	16	18		14				1.156	1.250
M25x 1.0								17		1.156	1.188
1.062-18UNEF		18			18		19	18		1.219	1.312
1.125-18UNEF	20		18	20		16				1.281	1.375
M28x 1.0								19		1.281	1.312
1.188-18UNEF		20			20		21	20		1.344	1.438
1.250-18UNEF	22		20	22		18				1.406	1.500
M31 x 1.0								21		1.406	1.438
1.312-18UNEF		22			22		23	22		1.469	1.562
1.375-18UNEF	24		22	24		20				1.531	1.625
M34x 1.0								23		1.531	1.562
1.438-18UNEF		24			24		25	24		1.594	1.688
1.500-18UNEF						22				1.656	1.688
M37x 1.0								25		1.656	1.688
1.625-18UNEF	28		24	28		24				1.844	1.969
1.750-18UNS		28								1.969	2.094
1.875-16UN	32		28	32						2.094	2.219
2.000-18UNS		32								2.219	2.344
2.062-16UNS	36		32	36						2.281	2.406
2.250-16UN		36								2.469	2.594
2.312-16UNS	40		36	40						2.531	2.656
2.500-16UN		40								2.719	2.844
2.625-16UN			40	44						2.844	2.969
2.750-16UN		44								2.969	2.969
2.875-16UN			44	48						3.094	3.281
3.000-16UN		48								3.219	2.406

\* 1 - Shell Sizes I, A, W, AS50151 (Crimp), MIL-DTL-26482 (Series 2)  
 \* 2 - Shell Sizes I, A, W, MIL-DTL-22992 Class C, J & R  
 † Left hand threads

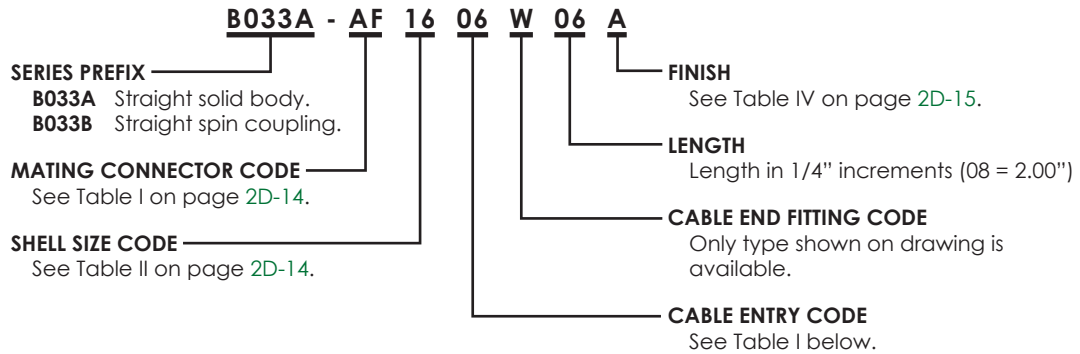


# ENVIRONMENTAL BACKSHELL, STRAIGHT FOR PG ADAPTER

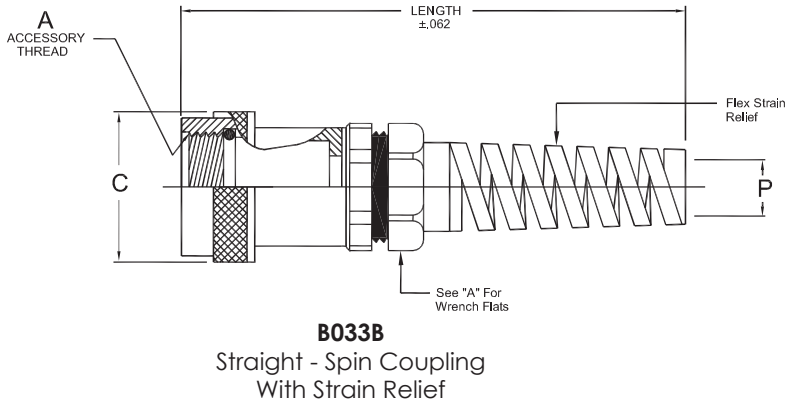
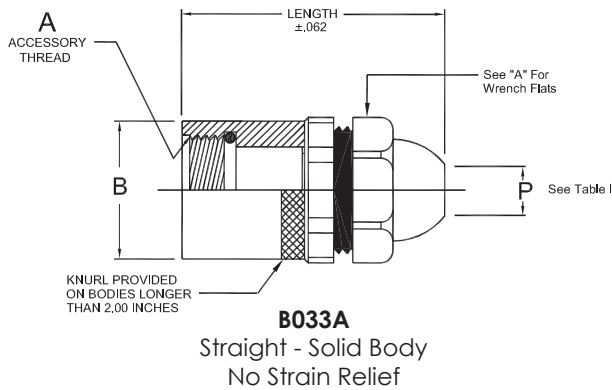
B033A, B033B

Various Series. See Table I on Page 2D-14.

## ORDERING INFORMATION



An interfacial adapter will be supplied when maximum cable entry exceeds the connector insert diameter. See Page 2D-12.



**TABLE I CABLE ENTRY CODE**

CODE		TYPE	P CABLE RANGE	A WRENCH FLATS
FLEX STRAIN RELIEF	NO STRAIN RELIEF			
01	31	PG7	2.0-5.0 [0.08-0.20]	15.0
02	32	PG7	3.0-6.5 [0.12-0.26]	15.0
03	33	PG9	2.0-6.0 [0.08-0.24]	19.0
04	34	PG9	4.0-8.0 [0.16-0.31]	19.0
05	35	PG11	3.0-7.0 [0.12-0.28]	22.0
06	36	PG11	5.0-10.0 [0.20-0.39]	22.0
07	37	PG13.5	5.0-9.0 [0.20-0.35]	24.0
08	38	PG13.5	6.0-12.0 [0.24-0.47]	24.0
09	39	PG16	7.0-12.0 [0.28-0.47]	27.0
10	40	PG16	10.0-14.0 [0.39-0.55]	27.0
11	41	PG21	9.0-16.0 [0.35-0.63]	33.0
12	42	PG21	13.0-18.0 [0.51-0.71]	33.0
13	43	PG29	12.0-20.0 [0.47-0.79]	42.0
14	44	PG29	18.0-25.0 [0.71-0.98]	42.0
15	45	PG36	20.0-26.0 [0.79-1.02]	53.0
16	46	PG36	22.0-32.0 [0.87-1.26]	53.0
17	47	PG42	30.0-38.0 [1.18-1.50]	60.0
18	48	PG48	34.0-44.0 [1.34-1.73]	60.0

Dimensions in brackets [ ] are in inches



# ENVIRONMENTAL BACKSHELL, STRAIGHT FOR PG ADAPTER

B033A, B033B

2D

A ACCESSORY THREAD	MATES WITH SHELL SIZE BELOW BY CONNECTOR CODE								B MAX.	C MAX.	
	AB	AF	AK	AM	BA	BB	BF				BG
			SWLD†	SWL†			SERIES				
			*1				*2	I			II
.375-32UNEF	8S								.531	.688	
.438-28UNEF					8		9	8	.594	.688	
.500-20UNF		8 & 8S							.656	.617	
.500-28UNEF	10S			10					.656	.850	
M12x 1.0								9	.656	.688	
.562-24UNEF					10		11	10	.719	.812	
.625-24UNEF	10SL, 12 & 12S	10, 10S & 10SL		12		8			.781	.875	
M15x 1.0								11	.781	.812	
.688-24UNEF					12		13	12	.844	.938	
.750-20UNEF	14 & 14S	12 & 12S	12	14		10			.906	1.000	
M18x 1.0								13	.906	.938	
.812-20UNEF					14		15	14	.969	1.062	
.875-20UNEF	16 & 16S	14 & 14S	14	16		12			1.031	1.125	
M22x 1.0								15	1.031	1.062	
.938-20UNEF					16		17	16	1.094	1.188	
1.000-20UNEF	18	16 & 16S	16	18		14			1.156	1.250	
M25x 1.0								17	1.156	1.188	
1.062-18UNEF		18			18		19	18	1.219	1.312	
1.125-18UNEF	20		18	20		16			1.281	1.375	
M28x 1.0								19	1.281	1.312	
1.188-18UNEF		20			20		21	20	1.344	1.438	
1.250-18UNEF	22		20	22		18			1.406	1.500	
M31 x 1.0								21	1.406	1.438	
1.312-18UNEF		22			22		23	22	1.469	1.562	
1.375-18UNEF	24		22	24		20			1.531	1.625	
M34x 1.0								23	1.531	1.562	
1.438-18UNEF		24			24		25	24	1.594	1.688	
1.500-18UNEF						22			1.656	1.688	
M37x 1.0								25	1.656	1.688	
1.625-18UNEF	28		24	28		24			1.844	1.969	
1.750-18UNS		28							1.969	2.094	
1.875-16UN	32		28	32					2.094	2.219	
2.000-18UNS		32							2.219	2.344	
2.062-16UNS	36		32	36					2.281	2.406	
2.250-16UN		36							2.469	2.594	
2.312-16UNS	40		36	40					2.531	2.656	
2.500-16UN		40							2.719	2.844	
2.625-16UN			40	44					2.844	2.969	
2.750-16UN		44							2.969	2.969	
2.875-16UN			44	48					3.094	3.281	
3.000-16UN		48							3.219	2.406	

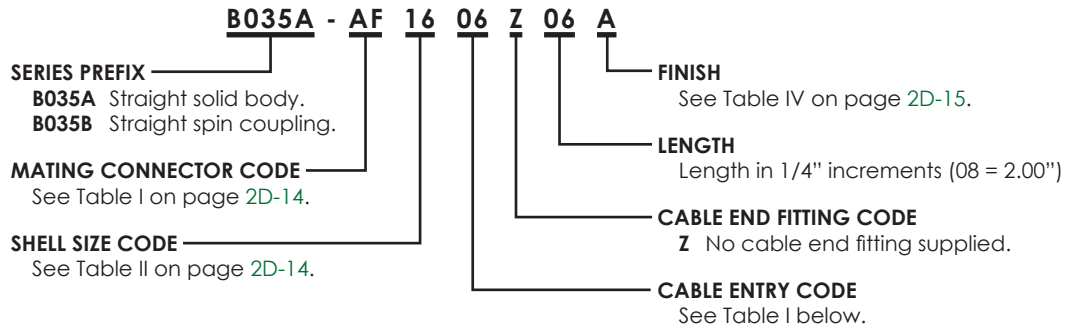
\* 1 - Shell Sizes I, A, W, AS50151 (Crimp), MIL-DTL-26482 (Series 2)  
 \* 2 - Shell Sizes I, A, W, MIL-DTL-22992 Class C, J & R  
 † Left hand threads

# ENVIRONMENTAL BACKSHELL, STRAIGHT FOR PIPE THREAD ADAPTERS

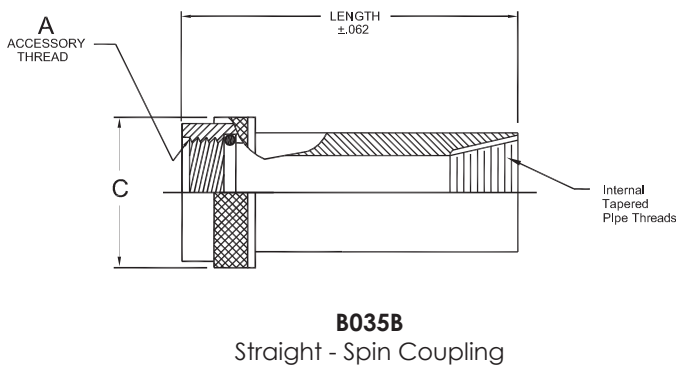
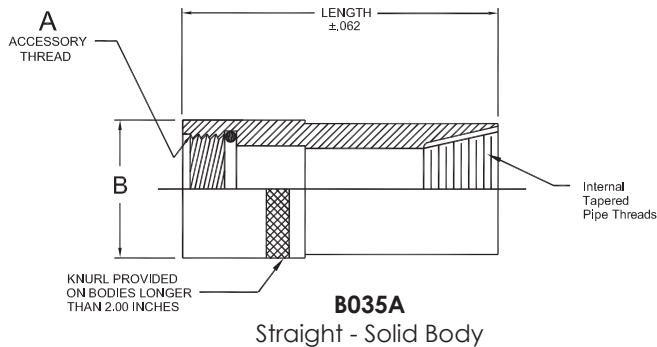
B035A, B035B

Various Series. See Table I on Page 2D-14.

## ORDERING INFORMATION



An interfacial adapter will be supplied when maximum cable entry exceeds the connector insert diameter. See Page 2D-12.



**TABLE I**

CODE	CONDUIT SIZE
01	1/8
02	1/4
03	3/8
04	1/2
05	3/4
06	1
07	1 1/4
08	1 1/2
09	2
10	2 1/2

Dimensions are in inches



# ENVIRONMENTAL BACKSHELL, STRAIGHT FOR PIPE THREAD ADAPTERS

B035A, B035B

2D

A ACCESSORY THREAD	MATES WITH SHELL SIZE BELOW BY CONNECTOR CODE								B MAX.	C MAX.	
	AB	AF	AK	AM	BA	BB	BF				BG
			SWLD†				SWL†	SERIES			
	*1	*2	I	II	III						
.375-32UNEF	8S									.531	.688
.438-28UNEF					8		9	8		.594	.688
.500-20UNF		8 & 8S								.656	.617
.500-28UNEF	10S			10						.656	.850
M12x 1.0									9	.656	.688
.562-24UNEF					10		11	10		.719	.812
.625-24UNEF	10SL, 12 & 12S	10, 10S & 10SL		12		8				.781	.875
M15x 1.0									11	.781	.812
.688-24UNEF					12		13	12		.844	.938
.750-20UNEF	14 & 14S	12 & 12S	12	14		10				.906	1.000
M18x 1.0									13	.906	.938
.812-20UNEF					14		15	14		.969	1.062
.875-20UNEF	16 & 16S	14 & 14S	14	16		12				1.031	1.125
M22x 1.0									15	1.031	1.062
.938-20UNEF					16		17	16		1.094	1.188
1.000-20UNEF	18	16 & 16S	16	18		14				1.156	1.250
M25x 1.0									17	1.156	1.188
1.062-18UNEF		18			18		19	18		1.219	1.312
1.125-18UNEF	20		18	20		16				1.281	1.375
M28x 1.0									19	1.281	1.312
1.188-18UNEF		20			20		21	20		1.344	1.438
1.250-18UNEF	22		20	22		18				1.406	1.500
M31 x 1.0									21	1.406	1.438
1.312-18UNEF		22			22		23	22		1.469	1.562
1.375-18UNEF	24		22	24		20				1.531	1.625
M34x 1.0									23	1.531	1.562
1.438-18UNEF		24			24		25	24		1.594	1.688
1.500-18UNEF						22				1.656	1.688
M37x 1.0									25	1.656	1.688
1.625-18UNEF	28		24	28		24				1.844	1.969
1.750-18UNS		28								1.969	2.094
1.875-16UN	32		28	32						2.094	2.219
2.000-18UNS		32								2.219	2.344
2.062-16UNS	36		32	36						2.281	2.406
2.250-16UN		36								2.469	2.594
2.312-16UNS	40		36	40						2.531	2.656
2.500-16UN		40								2.719	2.844
2.625-16UN			40	44						2.844	2.969
2.750-16UN		44								2.969	2.969
2.875-16UN			44	48						3.094	3.281
3.000-16UN		48								3.219	2.406

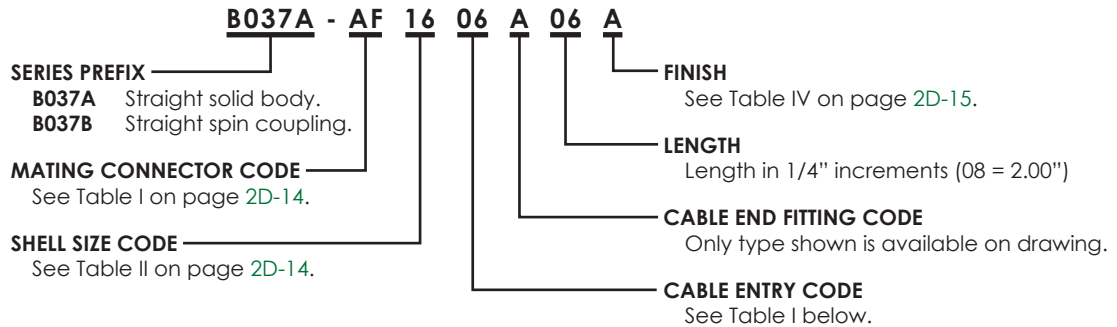
\* 1 - Shell Sizes I, A, W, AS50151 (Crimp), MIL-DTL-26482 (Series 2)  
 \* 2 - Shell Sizes I, A, W, MIL-DTL-22992 Class C, J & R  
 † Left hand threads

# ENVIRONMENTAL BACKSHELL, STRAIGHT FOR SEALTITE™/LIQUIDTITE CONDUIT

B037A, B037B

Various Series. See Table I on Page 2D-14.

## ORDERING INFORMATION



An interfacial adapter will be supplied when maximum cable entry exceeds the connector insert diameter. See Page 2D-12.

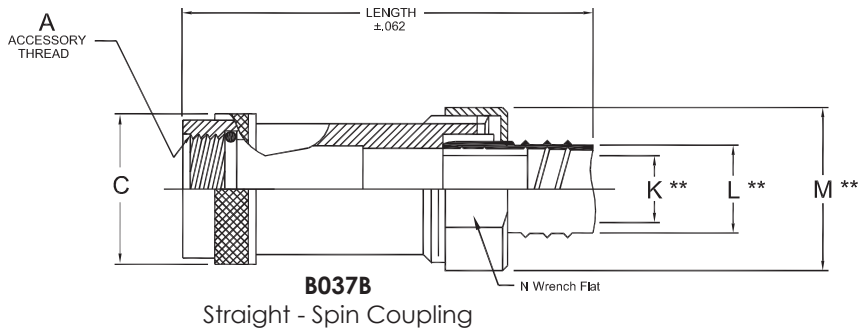
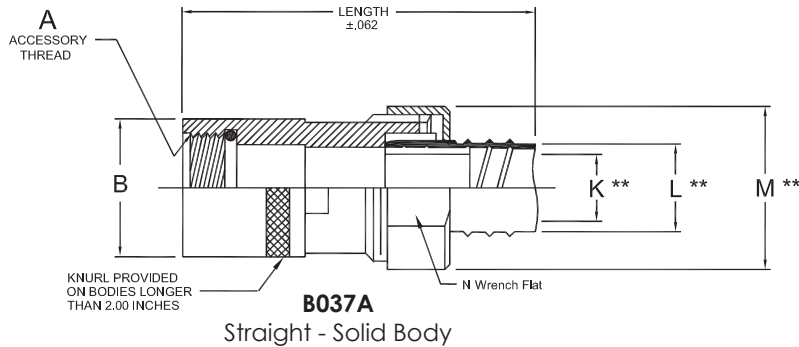


TABLE I

CODE	CONDUIT SIZE	K DIM		L DIM		M Max	N Max Wrench Flats
		Min	Max	Min	Max		
01	3/8	.484 [12.3]	.504 [12.8]	.690 [17.5]	.710 [18.0]	1.155 [29.3]	1.000 [25.4]
02	1/2	.622 [15.8]	.642 [16.3]	.820 [20.8]	.840 [21.3]	1.282 [32.6]	1.125 [28.6]
03	3/4	.820 [20.8]	.840 [21.3]	1.030 [26.2]	1.050 [26.7]	1.531 [38.9]	1.375 [34.9]
04	1	1.041 [26.4]	1.066 [27.1]	1.290 [32.8]	1.315 [33.4]	1.781 [45.2]	1.625 [41.3]
05	1 1/4	1.380 [35.1]	1.410 [35.8]	1.630 [41.4]	1.660 [42.2]	2.218 [56.3]	2.062 [52.4]
06	1 1/2	1.575 [40.0]	1.600 [40.6]	1.875 [47.6]	1.900 [48.3]	2.468 [62.7]	2.312 [58.7]
07	2	2.020 [51.3]	2.045 [51.9]	2.350 [59.7]	2.375 [60.3]	3.031 [77.0]	2.875 [73.0]

Dimensions in brackets [ ] are in millimeters.





# ENVIRONMENTAL BACKSHELL, STRAIGHT FOR SEALTITE™/LIQUIDTITE CONDUIT

B037A, B037B

A ACCESSORY THREAD	MATES WITH SHELL SIZE BELOW BY CONNECTOR CODE								B MAX.	C MAX.	
	AB	AF	AK	AM	BA	BB	BF				BG
			SWLD†	SWL†			SERIES				
			*1				*2	I			II
.375-32UNEF	8S									.531	.688
.438-28UNEF					8		9	8		.594	.688
.500-20UNF		8 & 8S								.656	.617
.500-28UNEF	10S			10						.656	.850
M12x 1.0									9	.656	.688
.562-24UNEF					10		11	10		.719	.812
.625-24UNEF	10SL, 12 & 12S	10, 10S & 10SL		12		8				.781	.875
M15x 1.0									11	.781	.812
.688-24UNEF					12		13	12		.844	.938
.750-20UNEF	14 & 14S	12 & 12S	12	14		10				.906	1.000
M18x 1.0									13	.906	.938
.812-20UNEF					14		15	14		.969	1.062
.875-20UNEF	16 & 16S	14 & 14S	14	16		12				1.031	1.125
M22x 1.0									15	1.031	1.062
.938-20UNEF					16		17	16		1.094	1.188
1.000-20UNEF	18	16 & 16S	16	18		14				1.156	1.250
M25x 1.0									17	1.156	1.188
1.062-18UNEF		18			18		19	18		1.219	1.312
1.125-18UNEF	20		18	20		16				1.281	1.375
M28x 1.0									19	1.281	1.312
1.188-18UNEF		20			20		21	20		1.344	1.438
1.250-18UNEF	22		20	22		18				1.406	1.500
M31 x 1.0									21	1.406	1.438
1.312-18UNEF		22			22		23	22		1.469	1.562
1.375-18UNEF	24		22	24		20				1.531	1.625
M34x 1.0									23	1.531	1.562
1.438-18UNEF		24			24		25	24		1.594	1.688
1.500-18UNEF						22				1.656	1.688
M37x 1.0									25	1.656	1.688
1.625-18UNEF	28		24	28		24				1.844	1.969
1.750-18UNS		28								1.969	2.094
1.875-16UN	32		28	32						2.094	2.219
2.000-18UNS		32								2.219	2.344
2.062-16UNS	36		32	36						2.281	2.406
2.250-16UN		36								2.469	2.594
2.312-16UNS	40		36	40						2.531	2.656
2.500-16UN		40								2.719	2.844
2.625-16UN			40	44						2.844	2.969
2.750-16UN		44								2.969	2.969
2.875-16UN			44	48						3.094	3.281
3.000-16UN		48								3.219	2.406

\* 1 - Shell Sizes I, A, W, AS50151 (Crimp), MIL-DTL-26482 (Series 2)

\* 2 - Shell Sizes I, A, W, MIL-DTL-22992 Class C, J & R

† Left hand threads

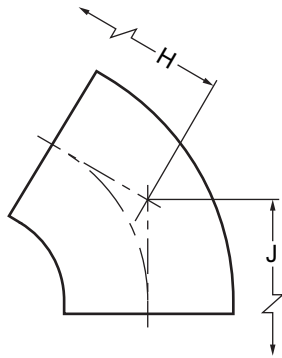
2D

# CONFIGURATIONS

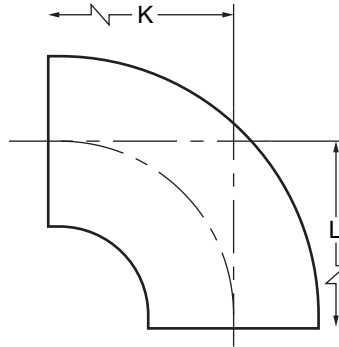
## CONFIGURATION CODES

CODE					DESCRIPTION
STRAIGHT	45°	45° BENT TUBE	90°	90° BENT TUBE	
A					Solid body
B	CC	C	D	H	Round non-locking nut, .032" safety wire holes
E	FF	F	G	K	Hex non-locking nut, .032 safety wire holes

## BENT TUBE CONFIGURATIONS

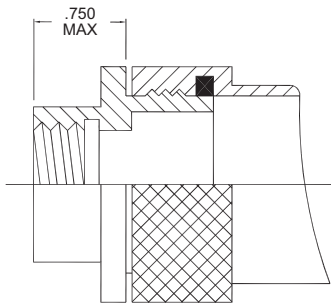


**45°  
Bent Tube**

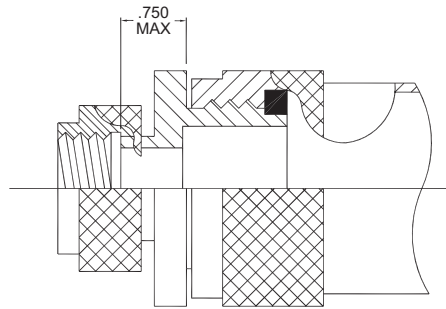


**90°  
Bent Tube**

## INTERFACIAL ADAPTER CONFIGURATIONS



**Straight Solid  
Configuration**



**Straight 45° & 90°  
Spin Configuration**

O-Rings Supplied for Environmental Assemblies Only



# BENT TUBE DIMENSIONS

2D

A ACCESSORY THREAD	MATES WITH SHELL SIZE BELOW BY CONNECTOR CODE								H MAX.	J MAX.	K MAX.	L MAX.	
	AB	AF	AK	AM	BA	BB	BF						BG
			SWLD†	SWL†			SERIES						
			*1				*2	I					II
.375-32UNEF	8S								.812	.875	1.125	1.188	
.438-28UNEF					8		9	8	.812	.875	1.125	1.188	
.500-20UNF		8 & 8S							.812	.875	1.125	1.188	
.500-28UNEF	10S			10					.812	.875	1.125	1.188	
M12x 1.0								9	.812	.875	1.125	1.188	
.562-24UNEF					10		11	10	.875	.938	1.250	1.312	
.625-24UNEF	10SL, 12 & 12S	10, 10S & 10SL		12		8			.875	.938	1.250	1.312	
M15x 1.0								11	.875	.938	1.250	1.312	
.688-24UNEF					12		13	12	.938	1.000	1.375	1.438	
.750-20UNEF	14 & 14S	12 & 12S	12	14		10			.938	1.000	1.375	1.438	
M18x 1.0								13	.938	1.000	1.375	1.438	
.812-20UNEF					14		15	14	1.000	1.062	1.500	1.562	
.875-20UNEF	16 & 16S	14 & 14S	14	16		12			1.000	1.062	1.500	1.562	
M22x 1.0								15	1.000	1.062	1.500	1.562	
.938-20UNEF					16		17	16	1.062	1.125	1.625	1.688	
1.000-20UNEF	18	16 & 16S	16	18		14			1.062	1.125	1.625	1.688	
M25x 1.0								17	1.062	1.125	1.625	1.688	
1.062-18UNEF		18			18		19	18	1.094	1.156	1.750	1.812	
1.125-18UNEF	20		18	20		16			1.094	1.156	1.750	1.812	
M28x 1.0								19	1.094	1.156	1.750	1.812	
1.188-18UNEF		20			20		21	20	1.156	1.219	1.875	1.938	
1.250-18UNEF	22		20	22		18			1.156	1.219	1.875	1.938	
M31 x 1.0								21	1.156	1.219	1.875	1.938	
1.312-18UNEF		22			22		23	22	1.188	1.250	2.000	2.062	
1.375-18UNEF	24		22	24		20			1.188	1.250	2.000	2.062	
M34x 1.0								23	1.188	1.250	2.000	2.062	
1.438-18UNEF		24			24		25	24	1.250	1.312	2.125	2.188	
1.500-18UNEF						22			1.250	1.312	2.125	2.188	
M37x 1.0								25	1.250	1.312	2.125	2.188	
1.625-18UNEF	28		24	28		24			1.344	1.625	2.375	2.625	
1.750-18UNS		28							1.344	1.625	2.375	2.625	
1.875-16UN	32		28	32					1.438	1.812	2.625	3.000	
2.000-18UNS		32							1.438	1.812	2.625	3.000	
2.062-16UNS	36		32	36					1.562	1.938	2.875	3.250	
2.250-16UN		36							1.562	1.938	2.875	3.250	
2.312-16UNS	40		36	40					1.688	2.062	3.125	3.500	
2.500-16UN		40							1.688	2.062	3.125	3.500	
2.625-16UN			40	44					1.750	2.188	3.375	3.812	
2.750-16UN		44							1.750	2.188	3.375	3.812	
2.875-16UN			44	48					1.875	2.312	3.625	4.062	
3.000-16UN		48							1.875	2.312	3.625	4.062	

\* 1 - Shell Sizes I, A, W, AS50151 (Crimp), MIL-DTL-26482 (Series 2)

\* 2 - Shell Sizes I, A, W, MIL-DTL-22992 Class C, J & R

† Left hand threads

# MATING CONNECTOR CODES

**TABLE I. MATING CONNECTOR CODES**

CODE	CONNECTOR SPECIFICATION
<b>AB</b>	AS50151, Solder Contacts, and F80 Crimp, SCP and SCPB Series
<b>AF</b>	AS50151, Crimp Front or Rear Release Contacts SC30 thru SC39 and SC50 thru SC59 MIL-DTL-26482, Series 2, SCPT70 thru SCPT79
<b>AK</b>	MIL-DTL-22992, Class C & R, SWLD Series, SCP17343 thru SCP17347
<b>AM</b>	SWL Series
<b>BA</b>	MIL-DTL-26482 Series I, Solder or Crimp Front Release, SCPT and SCPC Series
<b>BB</b>	MIL-DTL-26482 Series I, Class E, F & P SCPT07* and SCPT07S*
<b>BF</b>	MIL-DTL-38999 Series I & II, SC1001, SC1466, SC1467, SC1468, SC1469, SC1470, SC1471, SC1496, SC1498, SC1505, SC1656, SC1662, SC2001, SC2472, SC2473, SC2474, SC2475, SC2476, SC2477, SC2478, SC2484, SC2497, SC2499, SC2508, SC2513
<b>BG</b>	MIL-DTL-38999, Series III, SC3920 thru SC3926

# SHELL SIZE CODES

**TABLE II. SHELL SIZE CODES**

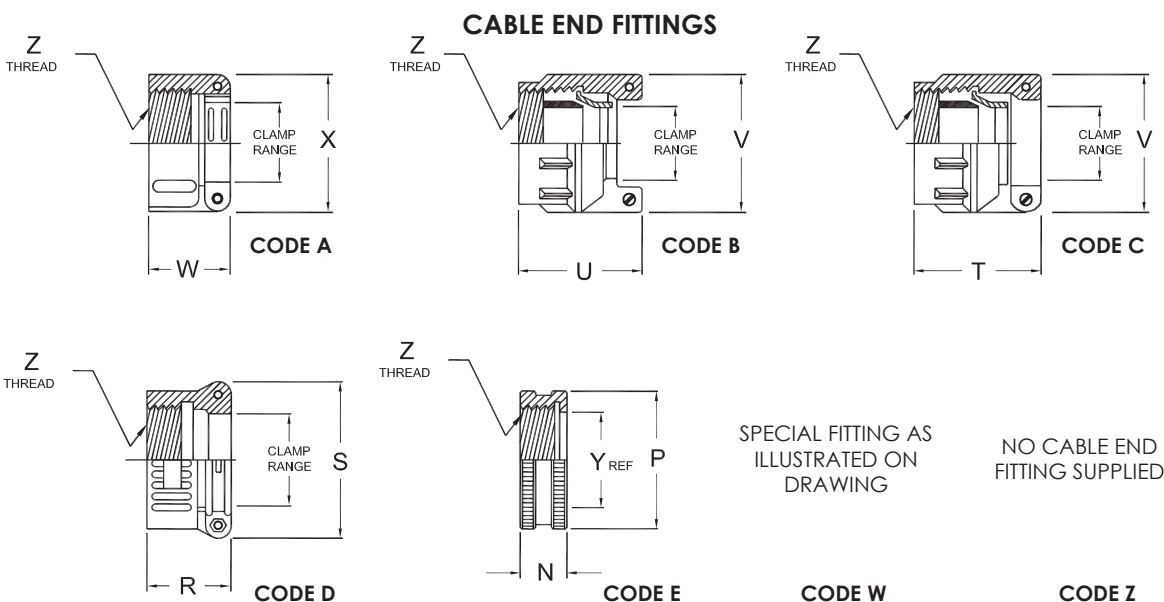
SHELL SIZE CODE	MATING CONNECTOR CODES								
	AB	AF	AK	AM	BA	BB	BF		BG
			SWLD	SWL			SERIES		
							I	II	III
08	8S	8 & 8S			8	8	9	8	
09									9
10	10S	10, 10S & 10SL		10	10	10	11	10	
11				12					11
12	10SL, 12 & 12S	12 & 12S	12	14	12	12	13	12	
13									13
14	14 & 14S	14 & 14S	14	16	14	14	15	14	
15									15
16	16 & 16S	16 & 16S	16	18	16	16	17	16	
17									17
18	18	18	18	20	18	18	19	18	
19									19
20	20	20	20	22	20	20	21	20	
21									21
22	22	22	22	24	22	22	23	22	
23									23
24	24	24	24	28	24	24	25	24	
25									25
28	28	28	28	32					
32	32	32	32	36					
36	36	36	36	40					
40	40	40	40	44					
44		44	44						
48		48	48						



**TABLE III. CABLE ENTRY CODE/CABLE END FITTING DIMENSIONS**

CABLE ENTRY CODE	Z FITTING THREAD	Y REF.	END FITTING A				END FITTING B & C				END FITTING D				END FITTING E		
			X ±.031	W ±.031	CLAMP RANGE		V MAX.	U MAX.	T MAX.	CLAMP RANGE		S ±.020	R ±	CLAMP RANGE		P ±.016	N ±.016
					OPEN	CLOSED				OPEN	CLOSED			OPEN	CLOSED		
03	.500-28UNEF	.250	.812	.812	.250	.156	.812	1.031	1.031	.219	.094	—	—	—	—	.625	.438
04	.625-24UNEF	.312	.875	.812	.312	.188	.938	1.031	1.375	.312	.094	.938	1.281	.312	.125	.750	.438
06	.750-20UNEF	.438	1.062	.875	.438	.281	1.062	1.031	1.375	.438	.250	1.125	1.281	.438	.250	.875	.438
08	.875-20UNEF	.562	1.156	.938	.562	.344	1.188	1.031	1.375	.531	.312	1.312	1.281	.562	.312	1.031	.438
10	1.000-20UNEF	.625	1.250	.938	.625	.375	1.312	1.094	1.438	.625	.375	1.312	1.281	.625	.350	1.156	.438
12	1.188-18UNEF	.750	1.469	.938	.750	.438	1.562	1.219	1.438	.750	.500	1.531	1.312	.750	.500	1.344	.438
16	1.438-18UNEF	.938	1.688	1.031	.938	.562	1.750	1.219	1.562	.938	.594	1.750	1.406	.938	.625	1.564	.438
20	1.750-18UNS	1.250	2.031	1.094	1.250	.750	2.250	1.344	1.812	1.250	.938	2.094	1.594	1.250	.875	1.906	.500
24	2.000-18UNS	1.375	2.281	1.156	1.375	.781	2.375	1.547	2.062	1.375	.969	2.344	1.625	1.375	1.000	2.156	.562
28	2.250-16UN	1.625	2.688	1.688	1.625	.969	2.625	1.547	2.062	1.625	1.188	2.750	1.900	1.625	1.250	2.406	.562
32	2.500-16UN	1.875	2.938	1.750	1.875	1.125	2.812	1.734	2.188	1.875	1.375	3.000	1.900	1.875	1.438	2.656	.625
40	3.000-16UN	2.375	3.500	1.750	2.375	1.469	3.312	1.781	—	2.375	1.875	—	—	—	—	3.156	.688

2D



**TABLE IV. FINISH CODES CONSULT FACTORY FOR OTHER AVAILABLE FINISHES**

FINISH CODE	DESCRIPTION
<b>A</b>	Cadmium, Olive Drab, per QQ-P-416, Type II, Over Electroless Nickel, per MIL-C-26074 (1000 Hour Salt Spray Finish)
<b>B</b>	Cadmium, Black, per QQ-P-416, Type II, Class 3
<b>C</b>	Cadmium, Olive Drab, per QQ-P-416, Type II, Class 3
<b>D</b>	Cadmium - Yellow, per QQ-P-416, Type II Class 3, 48 Hours
<b>E</b>	Cadmium - Yellow Over Nickel, 48 Hours
<b>F</b>	Anodize, Sulphuric, Black, per MIL-A-8625, Type II, Class 2
<b>G</b>	Chromium Plate, per QQ-C-320, CLASS 2 A, Type II
<b>H</b>	Anodize, Hard, Black, per MIL-A-8625, Type III, Class 2
<b>I</b>	Chemical Film, per MIL-C-5541
<b>J</b>	Cadmium, Clear, per QQ-P-416, Type II Class 3
<b>K</b>	Nickel, Electro Deposited, per QQ-N-290, Class 2

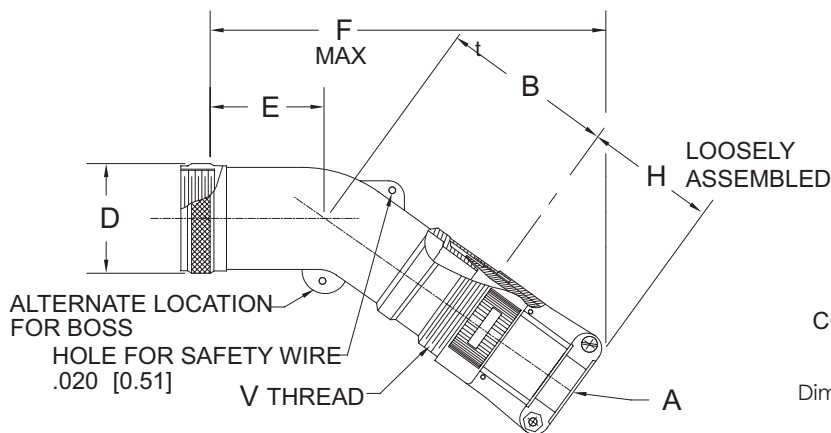
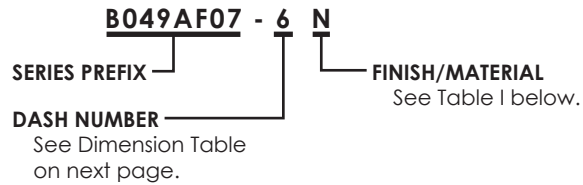
FINISH CODE	DESCRIPTION
<b>L</b>	Zinc Cobalt, Color O.D. .000050
<b>M</b>	Zinc Cobalt, Color Black, .000050
<b>N</b>	Electroless Nickel, per MIL-C-26074, Class 4, Grade B
<b>R</b>	Anodize, Hard, Gray, per MIL-A-8625, Type III, Class 1
<b>S</b>	Anodize, Sulphuric, Gray, per MIL-A-8625, Type II, Class 1
<b>T</b>	Anodize, Hard Color Blue
<b>U</b>	Anodize, Hard Color Red
<b>V</b>	Anodize, Hard Color Yellow
<b>X</b>	Cadmium, Bright, per QQ-P-416, Type II, Over Electroless Nickel, per MIL-C-26074
<b>Z</b>	Anodize, Hard, Green, per MIL-A-8625, Type III, Class 1, Dichromate Seal

# 45° ENVIRONMENTAL BACKSHELL WITH CABLE CLAMP

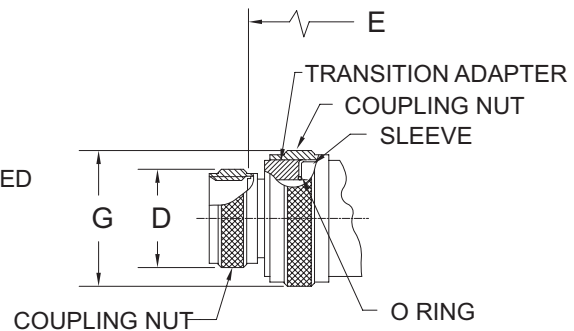
B049AF07

For **SC30**, **SC50** & **SC70** Series (AS50151 Crimp & MIL-DTL-26482 Series 2)

## ORDERING INFORMATION



**STYLE 1**



Dimensions in brackets [ ] are in millimeters.

**STYLE 2**

**TABLE I - AVAILABLE FINISHES**

CODE	DESCRIPTION	MATERIAL	TEMP. RANGE	EXCLUSIONS
<b>A</b>	Black anodize - In accordance with Class 2 of AMS-A-8625, Type II.	Aluminum Alloy	-65 to +175 °C	
<b>W</b>	Cadmium - Olive drab over suitable underplate, 1000 hour salt spray.		-65 to +175 °C	W finish is not for use in space application.
<b>X</b>	Nickel fluorocarbon polymer. Nickel with fluorocarbon polymer additives over a suitable underplate to withstand 1000 hours of salt spray testing. Color shall be non-reflective. Final finish shall be electrically conductive.		-65 to +175 °C	
<b>Y</b>	Pure dense electrodeposited aluminum in accordance with MIL-DTL-83488, Type II, to withstand 500 hours of salt spray testing. Color shall be non-reflective. Final finish shall be electrically conductive.		-65 to +175 °C	Not for use on shield termination type connector accessories.
<b>Z</b>	Zinc nickel in accordance with ASTM B841 over suitable underplate to withstand 1000 hours of salt spray testing. Color shall be black, conductive, and non-reflective. Final finish shall be electrically conductive.		-65 to +175 °C	
<b>B</b>	Black cadmium - In accordance with AMS-QQ-P-416, Type II, Class 3.	Stainless Steel	-65 to +175 °C	B finish is not for use in space application.
<b>S</b>	Passivate - In accordance with AMS-QQ-P-35, AMS 2700, or ASTM A 967.		-65 to +200 °C	
<b>XS</b>	Nickel fluorocarbon polymer. Nickel with fluorocarbon polymer additives over a suitable underplate to withstand 1000 hours of salt spray testing. Color shall be non-reflective. Final finish shall be electrically conductive.		-65 to +175 °C	
<b>ZS</b>	Zinc nickel in accordance with ASTM B841 over suitable underplate to withstand 1000 hours of salt spray testing. Color shall be black, conductive, and non-reflective. Final finish shall be electrically conductive.		-65 to +175 °C	





# 45° ENVIRONMENTAL BACKSHELL WITH CABLE CLAMP

B049AF07

DASH NO.	FITS SHELL OF CONN.		CLAMP SIZE	A WIRE BUNDLE RANGE [DIA]		STYLE	B ±.062 [±1.57]	ØD MAX.	E ±.125 [±3.17]	F MAX	ØG MAX.	H REF	V THREAD CLASS 2A
	MIL-DTL-26482 SERIES 2	AS50151 CRIMP		MIN.	MAX.								
3	8	8S	4	.125 [3.17]	.250 [6.35]	1	1.182 [30.02]	.617 [15.67]	.500 [12.70]	2.88 [73.15]	-	1.027 [26.09]	.625-24 UNEF
4	10	10S, 10SL	4	.125 [3.17]	.312 [7.92]	1	1.850 [46.99]	.734 [18.64]	.561 [14.25]	3.41 [86.61]	-	1.027 [26.09]	.625-24 UNEF
5	10	10S, 10SL	6	.250 [6.35]	.375 [9.52]	1	1.245 [31.62]	.734 [18.64]	.561 [14.25]	3.05 [77.47]	-	1.027 [26.09]	.750-20 UNEF
6	12	12, 12S	4	.125 [3.17]	.312 [7.92]	1	1.910 [48.51]	.858 [21.79]	.625 [15.87]	3.52 [89.41]	-	1.027 [26.09]	.625-24 UNEF
7	12	12, 12S	6	.250 [6.35]	.437 [11.10]	1	1.910 [48.51]	.858 [21.79]	.625 [15.87]	3.58 [90.93]	-	1.027 [26.09]	.750-20 UNEF
8	12	12, 12S	10	.350 [8.89]	.500 [12.70]	1	1.910 [48.51]	.858 [21.79]	.625 [15.87]	3.86 [98.04]	-	1.027 [26.09]	1.000-20 UNEF
9	14	14, 14S	6	.250 [6.35]	.437 [11.10]	1	2.000 [50.80]	.984 [24.99]	.688 [17.48]	3.71 [94.23]	-	1.027 [26.09]	.750-20 UNEF
10	14	14, 14S	10	.350 [8.89]	.575 [14.60]	1	1.655 [42.04]	.984 [24.99]	.688 [17.48]	3.74 [95.00]	-	1.027 [26.09]	1.000-20 UNEF
11	16	16, 16S	6	.250 [6.35]	.437 [11.10]	1	2.110 [53.59]	1.112 [28.24]	.781 [19.84]	3.88 [98.55]	-	1.027 [26.09]	.750-20 UNEF
12	16	16, 16S	12	.500 [12.70]	.700 [17.78]	1	1.750 [44.45]	1.112 [28.24]	.781 [19.84]	4.03 [102.36]	-	1.059 [26.90]	1.187-18 UNEF
13	18	18	10	.350 [8.89]	.625 [15.87]	1	2.300 [58.42]	1.218 [30.94]	.968 [24.59]	4.48 [113.79]	-	1.027 [26.09]	1.000-20 UNEF
14	18	18	16	.625 [15.87]	.779 [19.79]	1	1.938 [49.23]	1.218 [30.94]	.968 [24.59]	4.49 [114.05]	-	1.156 [29.36]	1.437-18 UNEF
15	20	20	10	.350 [8.89]	.625 [15.87]	1	2.300 [58.42]	1.345 [34.16]	.968 [24.59]	4.48 [113.79]	-	1.027 [26.09]	1.000-20 UNEF
16	20	20	16	.625 [15.87]	.904 [22.96]	1	1.938 [49.23]	1.345 [34.16]	.968 [24.59]	4.49 [114.05]	-	1.156 [29.36]	1.437-18 UNEF
17	22	22	12	.500 [12.70]	.750 [19.05]	1	2.450 [62.23]	1.468 [37.29]	1.063 [27.00]	4.81 [122.17]	-	1.059 [26.90]	1.187-18 UNEF
18	22	22	20	.875 [22.22]	1.029 [26.14]	1	2.093 [53.16]	1.468 [37.29]	1.063 [27.00]	4.98 [126.49]	-	1.375 [34.92]	1.750-18 UNS
19	24	24	12	.500 [12.70]	.750 [19.05]	1	2.450 [62.23]	1.593 [40.46]	1.063 [27.00]	4.81 [122.17]	-	1.059 [26.90]	1.187-18 UNEF
20	24	24	20	.875 [22.22]	1.144 [29.06]	1	2.093 [53.16]	1.593 [40.46]	1.063 [27.00]	4.98 [126.49]	-	1.375 [34.92]	1.750-18 UNS
21	-	28	16	.625 [15.87]	.937 [23.80]	1	2.500 [63.50]	1.969 [50.01]	1.188 [30.18]	5.11 [129.79]	-	1.156 [29.36]	1.437-18 UNEF
22	-	28	24	1.000 [25.40]	1.375 [34.92]	1	2.156 [54.76]	1.969 [50.01]	1.188 [30.18]	5.09 [129.29]	-	1.500 [38.10]	2.000-18 UNS
23	-	32	16	.625 [15.87]	.937 [23.80]	1	2.600 [66.04]	2.219 [56.36]	1.250 [31.75]	5.24 [133.10]	-	1.156 [29.36]	1.437-18 UNEF
24	-	32	20	.875 [22.22]	1.250 [31.75]	1	2.600 [66.04]	2.219 [56.36]	1.250 [31.75]	5.52 [140.21]	-	1.375 [34.92]	1.750-18 UNS
25	-	32	28	1.250 [31.75]	1.625 [41.27]	1	2.250 [57.15]	2.219 [56.36]	1.250 [31.75]	5.73 [145.54]	-	1.781 [45.24]	2.250-16 UN
26	-	36	16	.625 [15.87]	.937 [23.80]	1	2.690 [68.33]	2.469 [62.71]	1.281 [32.54]	5.33 [135.38]	-	1.156 [29.36]	1.437-18 UNEF
27	-	36	24	1.000 [25.40]	1.375 [34.92]	1	2.690 [68.33]	2.469 [62.71]	1.281 [32.54]	5.56 [141.22]	-	1.500 [38.10]	2.000-18 UNS
28	-	36	32	1.437 [36.50]	1.840 [46.74]	1	2.344 [59.54]	2.469 [62.71]	1.281 [32.54]	5.95 [151.13]	-	1.830 [46.48]	2.500-16 UN
29	-	40	16	.625 [15.87]	.937 [23.80]	1	2.690 [68.33]	2.719 [69.06]	2.031 [51.59]	6.08 [154.43]	-	1.156 [29.36]	1.437-18 UNEF
30	-	40	24	1.000 [25.40]	1.375 [34.92]	1	2.690 [68.33]	2.719 [69.06]	2.031 [51.59]	6.31 [160.27]	-	1.500 [38.10]	2.000-18 UNS

Dimensions in brackets [ ] are in millimeters.

Continued on Next Page

# 45° ENVIRONMENTAL BACKSHELL WITH CABLE CLAMP

B049AF07

Continued from Previous Page

DASH NO.	FITS SHELL OF CONN.		CLAMP SIZE	A WIRE BUNDLE RANGE [DIA]		STYLE	B ±.062 [±1.57]	ØD MAX.	E ±.125 [±3.17]	F MAX	ØG MAX.	H REF	V THREAD CLASS 2A
	MIL-DTL-26482 SERIES 2	AS50151 CRIMP		MIN.	MAX.								
31	-	40	32	1.437 [36.50]	1.875 [47.62]	1	2.344 [59.54]	2.719 [69.06]	2.031 [51.59]	6.70 [170.18]	-	1.830 [46.48]	2.500-16 UN
32	-	44	16	.625 [15.87]	.937 [23.80]	1	2.690 [68.33]	2.969 [75.41]	2.031 [51.59]	6.08 [154.43]	-	1.156 [29.36]	1.437-18 UNEF
33	-	44	24	1.000 [25.40]	1.375 [34.92]	1	2.690 [68.33]	2.969 [75.41]	2.031 [51.59]	6.31 [160.27]	-	1.500 [38.10]	2.000-18 UNS
34	-	44	32	1.437 [36.50]	1.875 [47.62]	1	2.344 [59.54]	2.969 [75.41]	2.031 [51.59]	6.70 [170.18]	-	1.830 [46.48]	2.500-16 UN
35	-	48	16	.625 [15.87]	.937 [23.80]	1	2.690 [68.33]	3.219 [81.76]	2.031 [51.59]	6.08 [154.43]	-	1.156 [29.36]	1.437-18 UNEF
36	-	48	24	1.000 [25.40]	1.375 [34.92]	1	2.690 [68.33]	3.219 [81.76]	2.031 [51.59]	6.31 [160.27]	-	1.500 [38.10]	2.000-18 UNS
37	-	48	32	1.437 [36.50]	1.875 [47.62]	1	2.344 [59.54]	3.219 [81.76]	2.031 [51.59]	6.70 [170.18]	-	1.830 [46.48]	2.500-16 UN
40	16	16, 16S	10	.350 [8.89]	.625 [15.87]	1	2.110 [53.59]	1.112 [28.24]	.781 [19.84]	4.16 [105.66]	-	1.027 [26.09]	1.000-20 UNEF
41	18	18	4	.125 [3.17]	.312 [7.92]	1	2.300 [58.42]	1.218 [30.94]	.968 [24.59]	4.13 [104.90]	-	1.027 [26.09]	.625-24 UNEF
42	18	18	6	.250 [6.35]	.437 [11.10]	1	2.300 [58.42]	1.218 [30.94]	.968 [24.59]	4.20 [106.68]	-	1.027 [26.09]	.750-20 UNEF
43	20	20	6	.250 [6.35]	.437 [11.10]	1	2.300 [58.42]	1.345 [34.16]	.968 [24.59]	4.20 [106.68]	-	1.027 [26.09]	.750-20 UNEF
44	22	22	4	.125 [3.17]	.312 [7.92]	1	2.450 [62.23]	1.468 [37.29]	1.063 [27.00]	4.34 [110.24]	-	1.027 [26.09]	.625-24 UNEF
45	22	22	6	.250 [6.35]	.437 [11.10]	1	2.450 [62.23]	1.468 [37.29]	1.063 [27.00]	4.40 [111.76]	-	1.027 [26.09]	.750-20 UNEF
46	24	24	10	.350 [8.89]	.625 [15.87]	1	2.450 [62.23]	1.593 [40.46]	1.063 [27.00]	4.68 [118.87]	-	1.027 [26.09]	1.000-20 UNEF
47	-	36	12	.500 [12.70]	.750 [19.05]	1	2.690 [68.33]	2.469 [62.71]	1.281 [32.54]	5.20 [132.08]	-	1.059 [26.90]	1.187-18 UNEF
48	-	40	12	.500 [12.70]	.750 [19.05]	1	2.690 [68.33]	2.719 [69.06]	2.031 [51.59]	5.95 [151.13]	-	1.059 [26.90]	1.187-18 UNEF
49	10	10S, 10SL	6	.250 [6.35]	.437 [11.10]	2	1.910 [48.51]	.734 [18.64]	1.375 [34.92]	4.33 [109.98]	.858 [21.79]	1.027 [26.09]	.750-20 UNEF
50	14	14, 14S	12	.500 [12.70]	.750 [19.05]	2	2.300 [58.42]	.984 [24.99]	1.717 [43.61]	5.36 [136.14]	1.218 [30.94]	1.059 [26.90]	1.187-18 UNEF
51	16	16, 16S	16	.625 [15.87]	.937 [23.80]	2	2.450 [62.23]	1.112 [28.24]	1.812 [46.02]	5.70 [144.78]	1.468 [37.29]	1.156 [29.36]	1.437-18 UNEF
52	18	18	12	.500 [12.70]	.750 [19.05]	1	2.300 [58.42]	1.218 [30.94]	.968 [24.59]	4.61 [117.09]	-	1.059 [26.90]	1.187-18 UNEF
54	20	20	12	.500 [12.70]	.750 [19.05]	1	2.300 [58.42]	1.345 [34.16]	.968 [24.59]	4.61 [117.09]	-	1.059 [26.90]	1.187-18 UNEF
55	20	20	20	.875 [22.22]	1.250 [31.75]	2	2.500 [63.50]	1.345 [34.16]	1.936 [49.17]	6.14 [155.96]	1.969 [50.01]	1.375 [34.92]	1.750-18 UNS
56	22	22	10	.350 [8.89]	.625 [15.87]	1	2.450 [62.23]	1.468 [37.29]	1.063 [27.00]	4.68 [118.87]	-	1.027 [26.09]	1.000-20 UNEF
57	22	22	16	.625 [15.87]	.937 [23.80]	1	2.450 [62.23]	1.468 [37.29]	1.063 [27.00]	4.95 [125.73]	-	1.156 [29.36]	1.437-18 UNEF
58	22	22	20	.875 [22.22]	1.250 [31.75]	2	2.500 [63.50]	1.468 [37.29]	1.936 [49.17]	6.14 [155.96]	1.969 [50.01]	1.375 [34.92]	1.750-18 UNS
59	24	24	16	.625 [15.87]	.937 [23.80]	1	2.450 [62.23]	2.093 [53.16]	1.063 [27.00]	4.95 [125.73]	-	1.156 [29.36]	1.4375 UNEF
60	-	28	12	.500 [12.70]	.750 [19.05]	1	2.500 [63.50]	1.969 [50.01]	1.188 [30.18]	4.97 [126.24]	-	1.059 [26.90]	1.1875 UNEF
61	-	28	20	.875 [22.22]	1.250 [31.75]	1	2.500 [63.50]	1.969 [50.01]	1.188 [30.18]	5.39 [136.91]	-	1.375 [34.92]	1.750-18 UNS

Dimensions in brackets [ ] are in millimeters.

Continued on Next Page



# 45° ENVIRONMENTAL BACKSHELL WITH CABLE CLAMP

B049AF07

Continued from Previous Page

DASH NO.	FITS SHELL OF CONN.		CLAMP SIZE	A WIRE BUNDLE RANGE [DIA]		STYLE	B ±.062 [±1.57]	ØD MAX.	E ±.125 [±3.17]	F MAX	ØG MAX.	H REF	V THREAD CLASS 2A
	MIL-DTL-26482 SERIES 2	AS50151 CRIMP		MIN.	MAX.								
62	-	32	24	1.000 [25.40]	1.375 [34.92]	1	2.600 [66.04]	2.219 [56.36]	1.250 [31.75]	5.47 [138.94]	-	1.500 [38.10]	2.000-18 UNS
63	-	36	20	.875 [22.22]	1.250 [31.75]	1	2.690 [68.33]	2.469 [62.71]	1.281 [32.54]	5.62 [142.75]	-	1.375 [34.92]	1.750-18 UNS
64	-	36	28	1.250 [31.75]	1.625 [41.27]	1	2.690 [68.33]	2.469 [62.71]	1.281 [32.54]	6.08 [154.43]	-	1.781 [45.24]	2.250-16 UN
65	-	40	20	.875 [22.22]	1.250 [31.75]	1	2.690 [68.33]	2.719 [69.06]	2.031 [51.59]	6.37 [161.80]	-	1.375 [34.92]	1.750-18 UNEF
66	-	40	28	1.250 [31.75]	1.625 [41.27]	1	2.690 [68.33]	2.719 [69.06]	2.031 [51.59]	6.83 [173.48]	-	1.781 [45.24]	2.250-16 UN
67	-	44	20	.875 [22.22]	1.250 [31.75]	1	2.690 [68.33]	2.969 [75.41]	2.031 [51.59]	6.37 [161.80]	-	1.375 [34.92]	1.750-18 UNS
68	-	44	28	1.250 [31.75]	1.625 [41.27]	1	2.690 [68.33]	2.969 [75.41]	2.031 [51.59]	6.83 [173.48]	-	1.781 [45.24]	2.250-16 UN
69	-	48	20	.875 [22.22]	1.250 [31.75]	1	2.690 [68.33]	3.219 [81.76]	2.031 [51.59]	6.37 [161.80]	-	1.375 [34.92]	1.750-18 UNS
70	-	48	28	1.250 [31.75]	1.625 [41.27]	1	2.690 [68.33]	3.219 [81.76]	2.031 [51.59]	6.83 [173.48]	-	1.781 [45.24]	2.250-16 UN
71	12	12, 12S	10	.350 [8.89]	.625 [15.87]	2	2.110 [53.59]	.858 [21.79]	1.529 [38.84]	4.90 [124.46]	1.112 [28.24]	1.027 [26.09]	1.000-20 UNEF
72	18	18	16	.625 [15.87]	.937 [23.80]	2	2.450 [62.23]	1.218 [30.94]	1.812 [46.02]	5.69 [144.53]	1.468 [37.29]	1.156 [29.36]	1.437-18 UNEF
73	24	24	20	.875 [22.22]	1.250 [31.75]	2	2.500 [63.50]	1.468 [37.29]	1.936 [49.17]	6.13 [155.70]	1.969 [50.01]	1.375 [34.92]	1.750-18 UNS
74	14	14, 14S	4	.125 [3.17]	.312 [7.92]	1	2.000 [50.80]	.984 [24.99]	.688 [17.48]	3.64 [92.46]	-	1.027 [26.09]	.625-24 UNEF
75	16	16, 16S	4	.125 [3.17]	.312 [7.92]	1	2.110 [53.59]	1.112 [28.24]	.781 [19.84]	3.81 [96.77]	-	1.027 [26.09]	.625-24 UNEF

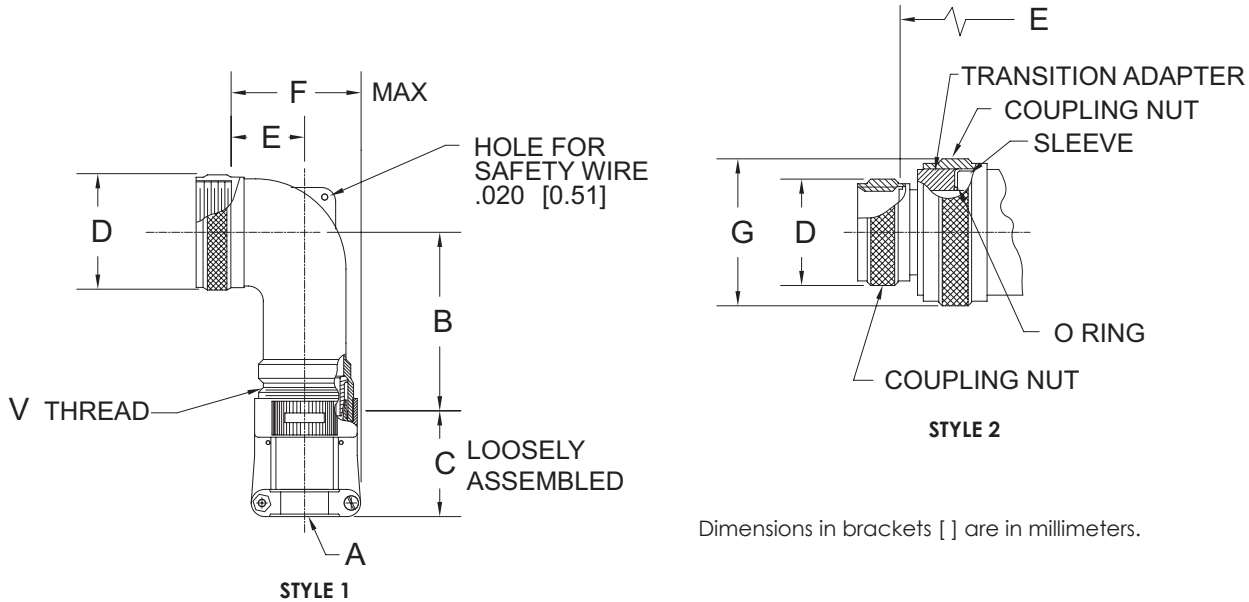
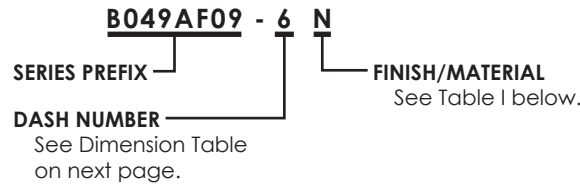
Dimensions in brackets [ ] are in millimeters.

# 90° ENVIRONMENTAL BACKSHELL WITH CABLE CLAMP

B049AF09

For **SC30**, **SC50** & **SC70** Series (AS50151 Crimp & MIL-DTL-26482 Series 2)

## ORDERING INFORMATION



**TABLE I - AVAILABLE FINISHES**

CODE	DESCRIPTION	MATERIAL	TEMP. RANGE	EXCLUSIONS
<b>A</b>	Black anodize - In accordance with Class 2 of AMS-A-8625, Type II.	Aluminum Alloy	-65 to +175 °C	
<b>W</b>	Cadmium - Olive drab over suitable underplate, 1000 hour salt spray.		-65 to +175 °C	W finish is not for use in space application.
<b>X</b>	Nickel fluorocarbon polymer. Nickel with fluorocarbon polymer additives over a suitable underplate to withstand 1000 hours of salt spray testing. Color shall be non-reflective. Final finish shall be electrically conductive.		-65 to +175 °C	
<b>Y</b>	Pure dense electrodeposited aluminum in accordance with MIL-DTL-83488, Type II, to withstand 500 hours of salt spray testing. Color shall be non-reflective. Final finish shall be electrically conductive.		-65 to +175 °C	Not for use on shield termination type connector accessories.
<b>Z</b>	Zinc nickel in accordance with ASTM B841 over suitable underplate to withstand 1000 hours of salt spray testing. Color shall be black, conductive, and non-reflective. Final finish shall be electrically conductive.		-65 to +175 °C	
<b>B</b>	Black cadmium - In accordance with AMS-QQ-P-416, Type II, Class 3.	Stainless Steel	-65 to +175 °C	B finish is not for use in space application.
<b>S</b>	Passivate - In accordance with AMS-QQ-P-35, AMS 2700, or ASTM A 967.		-65 to +200 °C	
<b>XS</b>	Nickel fluorocarbon polymer. Nickel with fluorocarbon polymer additives over a suitable underplate to withstand 1000 hours of salt spray testing. Color shall be non-reflective. Final finish shall be electrically conductive.		-65 to +175 °C	
<b>YS</b>	Pure dense electrodeposited aluminum in accordance with MIL-DTL-83488, Type II, to withstand 1000 hours of salt spray testing. Color shall be non-reflective. Final finish shall be electrically conductive.		-65 to +175 °C	Not for use on shield termination type connector accessories.
<b>ZS</b>	Zinc nickel in accordance with ASTM B841 over suitable underplate to withstand 1000 hours of salt spray testing. Color shall be black, conductive, and non-reflective. Final finish shall be electrically conductive.		-65 to +175 °C	



# 90° ENVIRONMENTAL BACKSHELL WITH CABLE CLAMP

B049AF09

DASH NO.	FITS SHELL OF CONN.		CLAMP SIZE	A WIRE BUNDLE RANGE [DIA]		STYLE	B ±.062 [±1.57]	C REF.	ØD MAX.	E ±.125 [±3.17]	F MAX	ØG MAX.	V THREAD CLASS 2A
	MIL-DTL-26482 SERIES 2	AS50151 CRIMP		MIN.	MAX.								
3	8	8S	4	.125 [3.17]	.250 [6.35]	1	1.200 [30.48]	1.027 [26.09]	.617 [15.67]	.541 [13.74]	1.09 [27.69]	-	.625-24 UNEF
4	10	10S, 10SL	4	.125 [3.17]	.312 [7.92]	1	1.920 [48.77]	1.027 [26.09]	.734 [18.64]	.636 [16.15]	1.18 [29.97]	-	.625-24 UNEF
5	10	10S, 10SL	6	.250 [6.35]	.375 [9.52]	1	1.320 [33.53]	1.027 [26.09]	.734 [18.64]	.636 [16.15]	1.27 [32.26]	-	.750-20 UNEF
6	12	12, 12S	4	.125 [3.17]	.312 [7.92]	1	1.940 [49.28]	1.027 [26.09]	.858 [21.79]	.641 [16.28]	1.18 [29.97]	-	.625-24 UNEF
7	12	12, 12S	6	.250 [6.35]	.437 [11.10]	1	1.940 [49.28]	1.027 [26.09]	.858 [21.79]	.641 [16.28]	1.28 [32.51]	-	.750-20 UNEF
8	12	12, 12S	10	.350 [8.89]	.500 [12.70]	1	1.335 [33.91]	1.027 [26.09]	.858 [21.79]	.641 [16.28]	1.37 [34.80]	-	1.000-20 UNEF
9	14	14, 14S	6	.250 [6.35]	.437 [11.10]	1	2.010 [51.05]	1.027 [26.09]	.984 [24.99]	.741 [18.82]	1.38 [35.05]	-	.750-20 UNEF
10	14	14, 14S	10	.350 [8.89]	.575 [14.60]	1	1.655 [42.04]	1.027 [26.09]	.984 [24.99]	.741 [18.82]	1.47 [37.34]	-	1.000-20 UNEF
11	16	16, 16S	6	.250 [6.35]	.437 [11.10]	1	2.100 [53.34]	1.027 [26.09]	1.112 [28.24]	.926 [23.52]	1.59 [40.39]	-	.750-20 UNEF
12	16	16, 16S	12	.500 [12.70]	.700 [17.78]	1	1.745 [44.32]	1.059 [26.90]	1.112 [28.24]	.926 [23.52]	1.77 [44.96]	-	1.187-18 UNEF
13	18	18	10	.350 [8.89]	.625 [15.87]	1	2.270 [57.66]	1.027 [26.09]	1.218 [30.94]	1.016 [25.81]	1.80 [45.72]	-	1.000-20 UNEF
14	18	18	16	.625 [15.87]	.779 [19.79]	1	1.920 [48.77]	1.156 [29.36]	1.218 [30.94]	1.016 [25.81]	1.97 [50.04]	-	1.437-18 UNEF
15	20	20	10	.350 [8.89]	.625 [15.87]	1	2.270 [57.66]	1.027 [26.09]	1.345 [34.16]	1.016 [25.81]	1.80 [45.72]	-	1.000-20 UNEF
16	20	20	16	.625 [15.87]	.904 [22.96]	1	1.920 [48.77]	1.156 [29.36]	1.345 [34.16]	1.016 [25.81]	1.97 [50.04]	-	1.437-18 UNEF
17	22	22	12	.500 [12.70]	.750 [19.05]	1	2.380 [60.45]	1.059 [26.90]	1.468 [37.29]	1.166 [29.62]	2.11 [53.59]	-	1.187-18 UNEF
18	22	22	20	.875 [22.22]	1.029 [26.14]	1	2.025 [51.43]	1.375 [34.92]	1.468 [37.29]	1.166 [29.62]	2.29 [58.17]	-	1.750-18 UNS
19	24	24	12	.500 [12.70]	.750 [19.05]	1	2.380 [60.45]	1.059 [26.90]	1.593 [40.46]	1.166 [29.62]	2.11 [53.59]	-	1.187-18 UNEF
20	24	24	20	.875 [22.22]	1.144 [29.06]	1	2.025 [51.43]	1.375 [34.92]	1.593 [40.46]	1.166 [29.62]	2.29 [58.17]	-	1.750-18 UNS
21	-	28	16	.625 [15.87]	.937 [23.80]	1	2.550 [64.77]	1.156 [29.36]	1.969 [50.01]	1.266 [32.16]	2.33 [59.18]	-	1.437-18 UNEF
22	-	28	24	1.000 [25.40]	1.375 [34.92]	1	2.195 [55.75]	1.500 [38.10]	1.969 [50.01]	1.266 [32.16]	2.51 [63.75]	-	2.000-18 UNS
23	-	32	16	.625 [15.87]	.937 [23.80]	1	2.800 [71.12]	1.156 [29.36]	2.219 [56.36]	1.616 [41.05]	2.81 [71.37]	-	1.437-18 UNEF
24	-	32	20	.875 [22.22]	1.250 [31.75]	1	2.800 [71.12]	1.375 [34.92]	2.219 [56.36]	1.616 [41.05]	2.81 [71.37]	-	1.750-18 UNS
25	-	32	28	1.250 [31.75]	1.625 [41.27]	1	2.445 [62.10]	1.781 [45.24]	2.219 [56.36]	1.616 [41.05]	3.07 [77.98]	-	2.250-16 UN
26	-	36	16	.625 [15.87]	.937 [23.80]	1	2.770 [70.36]	1.156 [29.36]	2.469 [62.71]	1.816 [46.13]	3.13 [79.50]	-	1.437-18 UNEF
27	-	36	24	1.000 [25.40]	1.375 [34.92]	1	2.770 [70.36]	1.500 [38.10]	2.469 [62.71]	1.816 [46.13]	3.13 [79.50]	-	2.000-18 UNS
28	-	36	32	1.437 [36.50]	1.840 [46.74]	1	2.415 [61.34]	1.830 [46.48]	2.469 [62.71]	1.816 [46.13]	3.39 [86.11]	-	2.500-16 UN
29	-	40	16	.625 [15.87]	.937 [23.80]	1	2.770 [70.36]	1.156 [29.36]	2.719 [69.06]	2.566 [65.18]	3.88 [98.55]	-	1.437-18 UNEF
30	-	40	24	1.000 [25.40]	1.375 [34.92]	1	2.770 [70.36]	1.500 [38.10]	2.719 [69.06]	2.566 [65.18]	3.88 [98.55]	-	2.000-18 UNS

Dimensions in brackets [ ] are in millimeters.

Continued on Next Page



# 90° ENVIRONMENTAL BACKSHELL WITH CABLE CLAMP

B049AF09

Continued from Previous Page

DASH NO.	FITS SHELL OF CONN.		CLAMP SIZE	A WIRE BUNDLE RANGE [DIA]		STYLE	B ±.062 [±1.57]	C REF.	ØD MAX.	E ±.125 [±3.17]	F MAX	ØG MAX.	V THREAD CLASS 2A
	MIL-DTL-26482 SERIES 2	AS50151 CRIMP		MIN.	MAX.								
31	-	40	32	1.437 [36.50]	1.875 [47.62]	1	2.415 [61.34]	1.830 [46.48]	2.719 [69.06]	2.566 [65.18]	4.14 [105.16]	-	2.500-16 UN
32	-	44	16	.625 [15.87]	.937 [23.80]	1	2.770 [70.36]	1.156 [29.36]	2.969 [75.41]	2.566 [65.18]	3.88 [98.55]	-	1.437-18 UNEF
33	-	44	24	1.000 [25.40]	1.375 [34.92]	1	2.770 [70.36]	1.500 [38.10]	2.969 [75.41]	2.566 [65.18]	3.88 [98.55]	-	2.000-18 UNS
34	-	44	32	1.437 [36.50]	1.875 [47.62]	1	2.415 [61.34]	1.830 [46.48]	2.969 [75.41]	2.566 [65.18]	4.14 [105.16]	-	2.500-16 UN
35	-	48	16	.625 [15.87]	.937 [23.80]	1	2.770 [70.36]	1.156 [29.36]	3.219 [81.76]	2.566 [65.18]	3.88 [98.55]	-	1.437-18 UNEF
36	-	48	24	1.000 [25.40]	1.375 [34.92]	1	2.770 [70.36]	1.500 [38.10]	3.219 [81.76]	2.566 [65.18]	3.88 [98.55]	-	2.000-18 UNS
37	-	48	32	1.437 [36.50]	1.875 [47.62]	1	2.415 [61.34]	1.830 [46.48]	3.219 [81.76]	2.566 [65.18]	4.14 [105.16]	-	2.500-16 UN
40	16	16, 16S	10	.350 [8.89]	.625 [15.87]	1	2.100 [53.34]	1.027 [26.09]	1.112 [28.24]	.926 [23.52]	1.66 [42.16]	-	1.000-20 UNEF
41	18	18	4	.125 [3.17]	.312 [7.92]	1	2.270 [57.66]	1.027 [26.09]	1.218 [30.94]	1.016 [25.81]	1.80 [45.72]	-	.625-24 UNEF
42	18	18	6	.250 [6.35]	.437 [11.10]	1	2.270 [57.66]	1.027 [26.09]	1.218 [30.94]	1.016 [25.81]	1.80 [45.72]	-	.750-20 UNEF
43	20	20	6	.250 [6.35]	.437 [11.10]	1	2.270 [57.66]	1.027 [26.09]	1.345 [34.16]	1.016 [25.81]	1.80 [45.72]	-	.750-20 UNEF
44	22	22	4	.125 [3.17]	.312 [7.92]	1	2.380 [60.45]	1.027 [26.09]	1.468 [37.29]	1.166 [29.62]	2.11 [53.59]	-	.625-24 UNEF
45	22	22	6	.250 [6.35]	.437 [11.10]	1	2.380 [60.45]	1.027 [26.09]	1.468 [37.29]	1.166 [29.62]	2.11 [53.59]	-	.750-20 UNEF
46	24	24	10	.350 [8.89]	.625 [15.87]	1	2.380 [60.45]	1.027 [26.09]	1.593 [40.46]	1.166 [29.62]	2.11 [53.59]	-	1.000-20 UNEF
47	-	36	12	.500 [12.70]	.750 [19.05]	1	2.770 [70.36]	1.059 [26.90]	2.469 [62.71]	1.816 [46.13]	3.13 [79.50]	-	1.187-18 UNEF
48	-	40	12	.500 [12.70]	.750 [19.05]	1	2.770 [70.36]	1.059 [26.90]	2.719 [69.06]	1.816 [46.13]	3.88 [98.55]	-	1.187-18 UNEF
49	10	10S, 10SL	6	.250 [6.35]	.437 [11.10]	2	1.940 [49.28]	1.027 [26.09]	.734 [18.64]	1.391 [35.33]	2.03 [51.56]	.858 [21.79]	.750-20 UNEF
50	14	14, 14S	12	.500 [12.70]	.750 [19.05]	2	2.270 [57.66]	1.059 [26.90]	.984 [24.99]	1.766 [44.86]	2.61 [66.29]	1.218 [30.94]	1.187-18 UNEF
51	16	16, 16S	16	.625 [15.87]	.937 [23.80]	2	2.380 [60.45]	1.156 [29.36]	1.112 [28.24]	1.916 [48.67]	2.87 [72.90]	1.468 [37.29]	1.437-18 UNEF
52	18	18	12	.500 [12.70]	.750 [19.05]	1	2.270 [57.66]	1.059 [26.90]	1.218 [30.94]	1.016 [25.81]	1.86 [47.24]	-	1.188-18 UNEF
54	20	20	12	.500 [12.70]	.750 [19.05]	1	2.270 [57.66]	1.059 [26.90]	1.345 [34.16]	1.016 [25.81]	1.86 [47.24]	-	1.188-18 UNEF
55	20	20	20	.875 [22.22]	1.250 [31.75]	2	2.550 [64.77]	1.375 [34.92]	1.345 [34.16]	2.016 [51.21]	3.14 [79.76]	1.969 [50.01]	1.750-18 UNS
56	22	22	10	.350 [8.89]	.625 [15.87]	1	2.380 [60.45]	1.027 [26.09]	1.468 [37.29]	1.166 [29.62]	2.11 [53.59]	-	1.000-20 UNEF
57	22	22	16	.625 [15.87]	.937 [23.80]	1	2.380 [60.45]	1.156 [29.36]	1.468 [37.29]	1.166 [29.62]	2.12 [53.85]	-	1.437-18 UNEF
58	22	22	20	.875 [22.22]	1.250 [31.75]	2	2.550 [64.77]	1.375 [34.92]	1.468 [37.29]	2.016 [51.21]	3.14 [79.76]	1.969 [50.01]	1.750-18 UNS
59	24	24	16	.625 [15.87]	.937 [23.80]	1	2.380 [60.45]	1.156 [29.36]	2.093 [53.16]	1.166 [29.62]	2.14 [54.36]	-	1.437-18 UNEF
60	-	28	12	.500 [12.70]	.750 [19.05]	1	2.550 [64.77]	1.059 [26.90]	1.969 [50.01]	1.266 [32.16]	2.33 [59.18]	-	1.188-18 UNEF

Dimensions in brackets [ ] are in millimeters.

Continued on Next Page



# 90° ENVIRONMENTAL BACKSHELL WITH CABLE CLAMP

B049AF09

Continued from Previous Page

DASH NO.	FITS SHELL OF CONN.		CLAMP SIZE	A WIRE BUNDLE RANGE [DIA]		STYLE	B ±.062 [±1.57]	C REF.	ØD MAX.	E ±.125 [±3.17]	F MAX	ØG MAX.	V THREAD CLASS 2A
	MIL-DTL-26482 SERIES 2	AS50151 CRIMP		MIN.	MAX.								
61	-	28	20	.875 [22.22]	1.250 [31.75]	1	2.550 [64.77]	1.375 [34.92]	1.969 [50.01]	1.266 [32.16]	2.39 [60.71]	-	1.750-18 UNS
62	-	32	24	1.000 [25.40]	1.375 [34.92]	1	2.800 [71.12]	1.500 [38.10]	2.219 [56.36]	1.616 [41.05]	2.86 [72.64]	-	2.000-18 UNS
63	-	36	20	.875 [22.22]	1.250 [31.75]	1	2.770 [70.36]	1.375 [34.92]	2.469 [62.71]	1.816 [46.13]	3.13 [79.50]	-	1.750-18 UNS
64	-	36	28	1.250 [31.75]	1.625 [41.27]	1	2.770 [70.36]	1.781 [45.24]	2.469 [62.71]	1.816 [46.13]	3.27 [83.06]	-	2.250-16 UN
65	-	40	20	.875 [22.22]	1.250 [31.75]	1	2.770 [70.36]	1.375 [34.92]	2.719 [69.06]	2.566 [65.18]	3.88 [98.55]	-	1.750-18 UNS
66	-	40	28	1.250 [31.75]	1.625 [41.27]	1	2.770 [70.36]	1.781 [45.24]	2.719 [69.06]	2.566 [65.18]	4.02 [102.11]	-	2.250-16 UN
67	-	44	20	.875 [22.22]	1.250 [31.75]	1	2.770 [70.36]	1.375 [34.92]	2.969 [75.41]	2.566 [65.18]	3.88 [98.55]	-	1.750-18 UNS
68	-	44	28	1.250 [31.75]	1.625 [41.27]	1	2.770 [70.36]	1.781 [45.24]	2.969 [75.41]	2.566 [65.18]	4.02 [102.11]	-	2.250-16 UN
69	-	48	20	.875 [22.22]	1.250 [31.75]	1	2.770 [70.36]	1.375 [34.92]	3.219 [81.76]	2.566 [65.18]	3.88 [98.55]	-	1.750-18 UNS
70	-	48	28	1.250 [31.75]	1.625 [41.27]	1	2.770 [70.36]	1.781 [45.24]	3.219 [81.76]	2.566 [65.18]	4.02 [102.11]	-	2.250-16 UN
71	12	12, 12S	10	.350 [8.89]	.625 [15.87]	2	2.100 [53.34]	1.027 [26.09]	.858 [21.79]	1.686 [42.82]	2.42 [61.47]	1.112 [28.24]	1.000-20 UNEF
72	18	18	16	.625 [15.87]	.937 [23.80]	2	2.380 [60.45]	1.156 [29.36]	1.218 [30.94]	1.926 [48.92]	2.88 [73.15]	1.468 [37.29]	1.437-18 UNEF
73	24	24	20	.875 [22.22]	1.250 [31.75]	2	2.550 [64.77]	1.375 [34.92]	1.468 [37.29]	2.026 [51.46]	3.15 [80.01]	1.969 [50.01]	1.750-18 UNS
74	14	14, 14S	4	.125 [3.17]	.312 [7.92]	1	2.010 [51.05]	1.027 [26.09]	.984 [24.99]	.741 [18.82]	1.31 [33.27]	-	.625-24 UNEF
75	16	16, 16S	4	.125 [3.17]	.312 [7.92]	1	2.100 [53.34]	1.027 [26.09]	1.112 [28.24]	.926 [23.52]	1.59 [40.39]	-	.625-24 UNEF

Dimensions in brackets [ ] are in millimeters.

2D

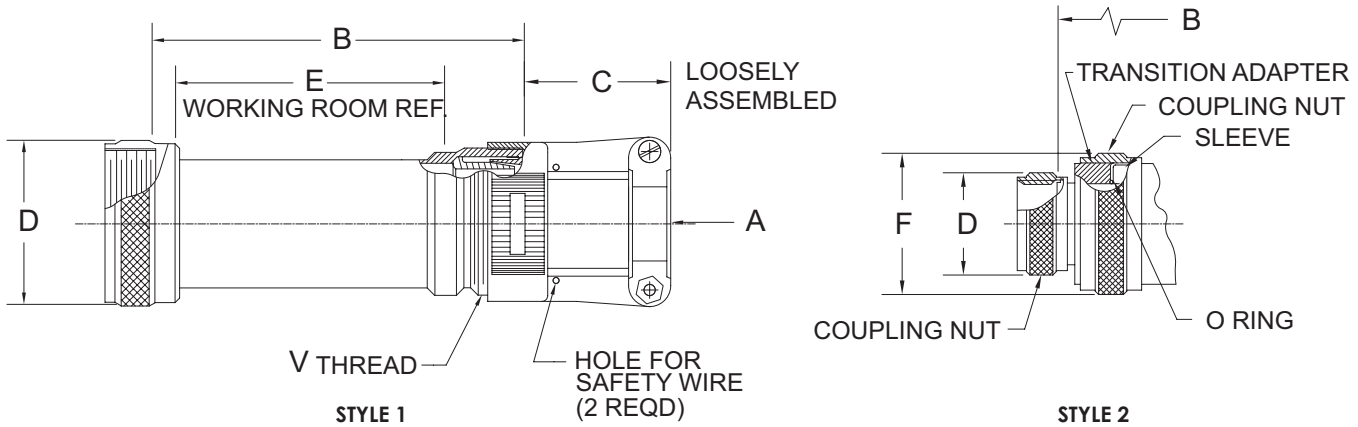
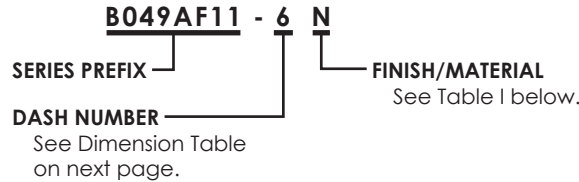


# STRAIGHT ENVIRONMENTAL BACKSHELL WITH CABLE CLAMP

B049AF11

For **SC30**, **SC50** & **SC70** Series (AS50151 Crimp & MIL-DTL-26482 Series 2)

## ORDERING INFORMATION



Dimensions in brackets [ ] are in millimeters.

**TABLE I - AVAILABLE FINISHES**

CODE	DESCRIPTION	MATERIAL	TEMP. RANGE	EXCLUSIONS
<b>A</b>	Black anodize - In accordance with Class 2 of AMS-A-8625, Type II.	Aluminum Alloy	-65 to +175 °C	
<b>W</b>	Cadmium - Olive drab over suitable underplate, 1000 hour salt spray.		-65 to +175 °C	W finish is not for use in space application.
<b>X</b>	Nickel fluorocarbon polymer. Nickel with fluorocarbon polymer additives over a suitable underplate to withstand 1000 hours of salt spray testing. Color shall be non-reflective. Final finish shall be electrically conductive.		-65 to +175 °C	
<b>Y</b>	Pure dense electrodeposited aluminum in accordance with MIL-DTL-83488, Type II, to withstand 500 hours of salt spray testing. Color shall be non-reflective. Final finish shall be electrically conductive.		-65 to +175 °C	Not for use on shield termination type connector accessories.
<b>Z</b>	Zinc nickel in accordance with ASTM B841 over suitable underplate to withstand 1000 hours of salt spray testing. Color shall be black, conductive, and non-reflective. Final finish shall be electrically conductive.		-65 to +175 °C	
<b>B</b>	Black cadmium - In accordance with AMS-QQ-P-416, Type II, Class 3.	Stainless Steel	-65 to +175 °C	B finish is not for use in space application.
<b>S</b>	Passivate - In accordance with AMS-QQ-P-35, AMS 2700, or ASTM A 967.		-65 to +200 °C	
<b>XS</b>	Nickel fluorocarbon polymer. Nickel with fluorocarbon polymer additives over a suitable underplate to withstand 1000 hours of salt spray testing. Color shall be non-reflective. Final finish shall be electrically conductive.		-65 to +175 °C	
<b>YS</b>	Pure dense electrodeposited aluminum in accordance with MIL-DTL-83488, Type II, to withstand 1000 hours of salt spray testing. Color shall be non-reflective. Final finish shall be electrically conductive.		-65 to +175 °C	Not for use on shield termination type connector accessories.
<b>ZS</b>	Zinc nickel in accordance with ASTM B841 over suitable underplate to withstand 1000 hours of salt spray testing. Color shall be black, conductive, and non-reflective. Final finish shall be electrically conductive.		-65 to +175 °C	



# STRAIGHT ENVIRONMENTAL BACKSHELL WITH CABLE CLAMP

B049AF11

DASH NO.	FITS SHELL OF CONN.		CLAMP SIZE	A WIRE BUNDLE RANGE [DIA]		STYLE	B ±.125 [±3.17]	C REF.	ØD MAX.	E ±.125 [±3.17]	F MAX	V THREAD CLASS 2A
	MIL-DTL-26482 SERIES 2	AS50151 CRIMP		MIN.	MAX.							
5	8	8S	4	.125 [3-17]	.250 [6.35]	1	2.00 [50.80]	1.027 [26.09]	.617 [15.67]	1.06 [26.92]	-	.625-24 UNEF
6	8	8S	4	.125 [3.17]	.250 [6.35]	1	3.00 [76.20]	1.027 [26.09]	.617 [15.67]	2.06 [52.32]	-	.625-24 UNEF
7	8	8S	6	.250 [6.35]	.437 [11.10]	2	2.75 [69.85]	1.027 [26.09]	.617 [15.67]	1.81 [45.97]	.858 [21.79]	.750-20 UNEF
8	8	8S	6	.250 [6.35]	.437 [11.10]	2	3.75 [95.25]	1.027 [26.09]	.617 [15.67]	2.81 [71.37]	.858 [21.79]	.750-20 UNEF
9	10	10S, 10SL	4	.125 [3.17]	.312 [7.92]	1	2.00 [50.80]	1.027 [26.09]	.734 [18.64]	1.06 [26.92]	-	.625-24 UNEF
10	10	10S, 10SL	4	.125 [3.17]	.312 [7.92]	1	3.00 [76.20]	1.027 [26.09]	.734 [18.64]	2.06 [52.32]	-	.625-24 UNEF
11	10	10S, 10SL	6	.250 [6.35]	.437 [11.10]	2	2.75 [69.85]	1.027 [26.09]	.734 [18.64]	1.81 [45.97]	.858 [21.79]	.750-20 UNEF
12	10	10, 10SL	6	.250 [6.35]	.437 [11.10]	2	3.75 [95.25]	1.027 [26.09]	.734 [18.64]	2.81 [71.37]	.858 [21.79]	.750-20 UNEF
13	12	12, 12S	6	.250 [6.35]	.437 [11.10]	1	2.00 [50.80]	1.027 [26.09]	.858 [21.79]	1.06 [26.92]	-	.750-20 UNEF
14	12	12, 12S	6	.250 [6.35]	.437 [11.10]	1	3.00 [76.20]	1.027 [26.09]	.858 [21.79]	2.06 [52.32]	-	.750-20 UNEF
15	12	12, 12S	10	.350 [8.89]	.625 [15.87]	2	2.75 [69.85]	1.027 [26.09]	.858 [21.79]	1.67 [42.42]	1.112 [28.24]	1.000-20 UNEF
16	12	12, 12S	10	.350 [8.89]	.625 [15.87]	2	3.75 [95.25]	1.027 [26.09]	.858 [21.79]	2.67 [67.82]	1.112 [28.24]	1.000-20 UNEF
17	14	14, 14S	10	.350 [8.89]	.575 [14.60]	1	2.00 [50.80]	1.027 [26.09]	.984 [24.99]	.92 [23.37]	-	1.000-20 UNEF
18	14	14, 14S	10	.350 [8.89]	.575 [14.60]	1	3.00 [76.20]	1.027 [26.09]	.984 [24.99]	1.92 [48.77]	-	1.000-20 UNEF
19	14	14, 14S	12	.500 [12.70]	.750 [19.05]	2	2.75 [69.85]	1.059 [26.90]	.984 [24.99]	1.67 [42.42]	1.112 [28.24]	1.187-18 UNEF
20	14	14, 14S	12	.500 [12.70]	.750 [19.05]	2	3.75 [95.25]	1.059 [26.90]	.984 [24.99]	2.67 [67.82]	1.112 [28.24]	1.187-18 UNEF
21	16	16, 16S	12	.500 [12.70]	.700 [17.78]	1	2.00 [50.80]	1.059 [26.90]	1.112 [28.24]	.92 [23.37]	-	1.187-18 UNEF
22	16	16, 16S	12	.500 [12.70]	.700 [17.78]	1	3.00 [76.20]	1.059 [26.90]	1.112 [28.24]	1.92 [48.77]	-	1.187-18 UNEF
23	16	16, 16S	16	.625 [15.87]	.937 [23.80]	2	2.75 [69.85]	1.156 [29.36]	1.112 [28.24]	1.67 [42.42]	1.468 [37.29]	1.437-18 UNEF
24	16	16, 16S	16	.625 [15.87]	.937 [23.80]	2	3.75 [95.25]	1.156 [29.36]	1.112 [28.24]	2.67 [67.82]	1.468 [37.29]	1.437-18 UNEF
25	18	18	10	.350 [8.89]	.625 [15.87]	1	2.00 [50.80]	1.027 [26.09]	1.218 [30.94]	.92 [23.37]	-	1.000-20 UNEF
26	18	18	10	.350 [8.89]	.625 [15.87]	1	3.00 [76.20]	1.027 [26.09]	1.218 [30.94]	1.92 [48.77]	-	1.000-20 UNEF
27	18	18	12	.500 [12.70]	.750 [19.05]	1	2.00 [50.80]	1.059 [26.90]	1.218 [30.94]	.92 [23.37]	-	1.187-18 UNEF
28	18	18	12	.500 [12.70]	.750 [19.05]	1	3.00 [76.20]	1.059 [26.90]	1.218 [30.94]	1.92 [48.77]	-	1.187-18 UNEF
29	18	18	16	.625 [15.87]	.937 [23.80]	2	2.75 [69.85]	1.156 [29.36]	1.218 [30.94]	1.67 [42.42]	1.468 [37.29]	1.437-18 UNEF
30	18	18	16	.625 [15.87]	.937 [23.80]	2	3.75 [95.25]	1.156 [29.36]	1.218 [30.94]	2.67 [67.82]	1.468 [37.29]	1.437-18 UNEF
31	20	20	10	.350 [8.89]	.625 [15.87]	1	3.00 [76.20]	1.027 [26.09]	1.345 [34.16]	1.92 [48.77]	-	1.000-20 UNEF

Dimensions in brackets [ ] are in millimeters.

Continued on Next Page

2D

# STRAIGHT ENVIRONMENTAL BACKSHELL WITH CABLE CLAMP

B049AF11

Continued from Previous Page

DASH NO.	FITS SHELL OF CONN.		CLAMP SIZE	A WIRE BUNDLE RANGE [DIA]		STYLE	B ±.125 [±3.17]	C REF.	ØD MAX.	E ±.125 [±3.17]	F MAX	V THREAD CLASS 2A
	MIL-DTL-26482 SERIES 2	AS50151 CRIMP		MIN.	MAX.							
32	20	20	10	.350 [8.89]	.625 [15.87]	1	4.00 [101.60]	1.027 [26.09]	1.345 [34.16]	2.92 [74.17]	-	1.000-20 UNEF
33	20	20	12	.500 [12.70]	.750 [19.05]	1	3.00 [76.20]	1.059 [26.90]	1.345 [34.16]	1.92 [48.77]	-	1.187-18 UNEF
34	20	20	12	.500 [12.70]	.750 [19.05]	1	4.00 [101.60]	1.059 [26.90]	1.345 [34.16]	2.92 [74.17]	-	1.187-18 UNEF
35	20	20	16	.625 [15.87]	.937 [23.80]	2	3.75 [95.25]	1.156 [29.36]	1.345 [34.16]	2.67 [67.82]	1.468 [37.29]	1.437-18 UNEF
36	20	20	16	.625 [15.87]	.937 [23.80]	2	4.75 [120.65]	1.156 [29.36]	1.345 [34.16]	3.67 [93.22]	1.468 [37.29]	1.437-18 UNEF
37	20	20	20	.875 [22.22]	1.250 [31.75]	2	3.75 [95.25]	1.375 [34.92]	1.345 [34.16]	2.67 [67.82]	1.969 [50.01]	1.750-18 UNS
38	20	20	20	.875 [22.22]	1.250 [31.75]	2	4.75 [120.65]	1.375 [34.92]	1.345 [34.16]	3.67 [93.22]	1.969 [50.01]	1.750-18 UNS
39	22	22	10	.350 [8.89]	.625 [15.87]	1	3.00 [76.20]	1.027 [26.09]	1.468 [37.29]	1.92 [48.77]	-	1.000-20 UNEF
40	22	22	10	.350 [8.89]	.625 [15.87]	1	4.00 [101.60]	1.027 [26.09]	1.468 [37.29]	2.92 [74.17]	-	1.000-20 UNEF
41	22	22	12	.500 [12.70]	.750 [19.05]	1	3.00 [76.20]	1.059 [26.90]	1.468 [37.29]	1.92 [48.77]	-	1.187-18 UNEF
42	22	22	12	.500 [12.70]	.750 [19.05]	1	4.00 [101.60]	1.059 [26.90]	1.468 [37.29]	2.92 [74.17]	-	1.187-18 UNEF
43	22	22	16	.625 [15.87]	.937 [23.80]	1	3.00 [76.20]	1.156 [29.36]	1.468 [37.29]	1.92 [48.77]	-	1.437-18 UNEF
44	22	22	16	.625 [15.87]	.937 [23.80]	1	4.00 [101.60]	1.156 [29.36]	1.468 [37.29]	2.92 [74.17]	-	1.437-18 UNEF
45	22	22	20	.875 [22.22]	1.250 [31.75]	2	3.75 [95.25]	1.375 [34.92]	1.468 [37.29]	2.67 [67.82]	1.969 [50.01]	1.750-18 UNS
46	22	22	20	.875 [22.22]	1.250 [31.75]	2	4.75 [120.65]	1.375 [34.92]	1.468 [37.29]	3.67 [93.22]	1.969 [50.01]	1.750-18 UNS
47	24	24	12	.500 [12.70]	.750 [19.05]	1	3.00 [76.20]	1.059 [26.90]	1.593 [40.46]	1.92 [48.77]	-	1.187-18 UNEF
48	24	24	12	.500 [12.70]	.750 [19.05]	1	4.00 [101.60]	1.059 [26.90]	1.593 [40.46]	2.92 [74.17]	-	1.187-18 UNEF
49	24	24	16	.625 [15.87]	.812 [20.62]	1	3.00 [76.20]	1.156 [29.36]	1.593 [40.46]	1.92 [48.77]	-	1.437-18 UNEF
50	24	24	16	.625 [15.87]	.812 [20.62]	1	4.00 [101.60]	1.156 [29.36]	1.593 [40.46]	2.92 [74.17]	-	1.437-18 UNEF
51	24	24	16	.625 [15.87]	.937 [23.80]	1	3.00 [76.20]	1.156 [29.36]	1.593 [40.46]	1.92 [48.77]	-	1.437-18 UNEF
52	24	24	16	.625 [15.87]	.937 [23.80]	1	4.00 [101.60]	1.156 [29.36]	1.593 [40.46]	2.92 [74.17]	-	1.437-18 UNEF
53	24	24	20	.875 [22.22]	1.250 [31.75]	2	3.75 [95.25]	1.375 [34.92]	1.593 [40.46]	2.67 [67.82]	1.969 [50.01]	1.750-18 UNS
54	24	24	20	.875 [22.22]	1.250 [31.75]	2	4.75 [120.65]	1.375 [34.92]	1.593 [40.46]	3.67 [93.22]	1.969 [50.01]	1.750-18 UNS
55	-	28	12	.500 [12.70]	.750 [19.05]	1	3.00 [76.20]	1.059 [26.90]	1.969 [50.01]	1.92 [48.77]	-	1.187-18 UNEF
56	-	28	12	.500 [12.70]	.750 [19.05]	1	4.00 [101.60]	1.059 [26.90]	1.969 [50.01]	2.92 [74.17]	-	1.187-18 UNEF
57	-	28	16	.625 [15.87]	.937 [23.80]	1	3.00 [76.20]	1.156 [29.36]	1.969 [50.01]	1.92 [48.77]	-	1.437-18 UNEF
58	-	28	16	.625 [15.87]	.937 [23.80]	1	4.00 [101.60]	1.156 [29.36]	1.969 [50.01]	2.92 [74.17]	-	1.43-18 UNEF
59	-	28	20	.875 [22.22]	1.250 [31.75]	1	3.00 [76.20]	1.375 [34.92]	1.969 [50.01]	1.92 [48.77]	-	1.750-18 UNS
60	-	28	20	.875 [22.22]	1.250 [31.75]	1	4.00 [101.60]	1.375 [34.92]	1.969 [50.01]	2.92 [74.17]	-	1.750-18 UNS
61	-	28	24	1.000 [25.40]	1.375 [34.92]	1	3.00 [76.20]	1.500 [38.10]	1.969 [50.01]	1.92 [48.77]	-	2.000-18 UNS
62	-	28	24	1.000 [25.40]	1.375 [34.92]	1	4.00 [101.60]	1.500 [38.10]	1.969 [50.01]	2.92 [74.17]	-	2.000-18 UNS

Dimensions in brackets [ ] are in millimeters.

Continued on Next Page



# STRAIGHT ENVIRONMENTAL BACKSHELL WITH CABLE CLAMP

B049AF11

Continued from Previous Page

DASH NO.	FITS SHELL OF CONN.		CLAMP SIZE	A WIRE BUNDLE RANGE [DIA]		STYLE	B ±.125 [±3.17]	C REF.	ØD MAX.	E ±.125 [±3.17]	F MAX	V THREAD CLASS 2A
	MIL-DTL-26482 SERIES 2	AS50151 CRIMP		MIN.	MAX.							
63	-	32	16	.625 [15.87]	.937 [23.80]	1	3.00 [76.20]	1.156 [29.36]	2.219 [56.36]	1.92 [48.77]	-	1.437-18 UNEF
64	-	32	16	.625 [15.87]	.937 [23.80]	1	4.00 [101.60]	1.156 [29.36]	2.219 [56.36]	2.92 [74.17]	-	1.437-18 UNEF
65	-	32	20	.875 [22.22]	1.250 [31.75]	1	3.00 [76.20]	1.375 [34.92]	2.219 [56.36]	1.92 [48.77]	-	1.750-18 UNS
66	-	32	20	.875 [22.22]	1.250 [31.75]	1	4.00 [101.60]	1.375 [34.92]	2.219 [56.36]	2.92 [74.17]	-	1.750-18 UNS
67	-	32	24	1.000 [25.40]	1.375 [34.92]	1	3.00 [76.20]	1.500 [38.10]	2.219 [56.36]	1.92 [48.77]	-	2.000-18 UNS
68	-	32	24	1.000 [25.40]	1.375 [34.92]	1	4.00 [101.60]	1.500 [38.10]	2.219 [56.36]	2.92 [74.17]	-	2.000-18 UNS
69	-	32	28	1.250 [31.75]	1.625 [41.27]	1	3.00 [76.20]	1.781 [45.24]	2.219 [56.36]	1.92 [48.77]	-	2.250-16 UN
70	-	32	28	1.250 [31.75]	1.625 [41.27]	1	4.00 [101.60]	1.781 [45.24]	2.219 [56.36]	2.92 [74.17]	-	2.250-16 UN
71	-	36	20	.875 [22.22]	1.250 [31.75]	1	4.00 [101.60]	1.375 [34.92]	2.469 [62.71]	2.92 [74.17]	-	1.750-18 UNS
72	-	36	20	.875 [22.22]	1.250 [31.75]	1	5.00 [127.00]	1.375 [34.92]	2.469 [62.71]	3.92 [99.57]	-	1.750-18 UNS
73	-	36	24	1.000 [25.40]	1.375 [34.92]	1	4.00 [101.60]	1.500 [38.10]	2.469 [62.71]	2.92 [74.17]	-	2.000-18 UNS
74	-	36	24	1.000 [25.40]	1.375 [34.92]	1	5.00 [127.00]	1.500 [38.10]	2.469 [62.71]	3.92 [99.57]	-	2.000-18 UNS
75	-	36	28	1.250 [31.75]	1.625 [41.27]	1	4.00 [101.60]	1.781 [45.24]	2.469 [62.71]	2.92 [74.17]	-	2.250-16 UN
76	-	36	28	1.250 [31.75]	1.625 [41.27]	1	5.00 [127.00]	1.781 [45.24]	2.469 [62.71]	3.92 [99.57]	-	2.250-16 UN
77	-	36	32	1.437 [36.50]	1.875 [47.62]	2	4.88 [123.95]	1.830 [46.48]	2.469 [62.71]	3.80 [96.52]	2.719 [69.06]	2.500-16 UN
78	-	36	32	1.437 [36.50]	1.875 [47.62]	2	5.88 [149.35]	1.830 [46.48]	2.469 [62.71]	4.80 [121.92]	2.719 [69.06]	2.500-16 UN
79	-	40	20	.875 [22.22]	1.250 [31.75]	1	4.00 [101.60]	1.375 [34.92]	2.719 [69.06]	2.92 [74.17]	-	1.750-18 UNS
80	-	40	20	.875 [22.22]	1.250 [31.75]	1	5.00 [127.00]	1.375 [34.92]	2.719 [69.06]	3.92 [99.57]	-	1.750-18 UNS
81	-	40	24	1.000 [25.40]	1.375 [34.92]	1	4.00 [101.60]	1.500 [38.10]	2.719 [69.06]	2.92 [74.17]	-	2.000-18 UNS
82	-	40	24	1.000 [25.40]	1.375 [34.92]	1	5.00 [127.00]	1.500 [38.10]	2.719 [69.06]	3.92 [99.57]	-	2.000-18 UNS
83	-	40	28	1.250 [31.75]	1.625 [41.27]	1	4.00 [101.60]	1.781 [45.24]	2.719 [69.06]	2.92 [74.17]	-	2.250-16 UN
84	-	40	28	1.250 [31.75]	1.625 [41.27]	1	5.00 [127.00]	1.781 [45.24]	2.719 [69.06]	3.92 [99.57]	-	2.250-16 UN
85	-	40	32	1.437 [36.50]	1.875 [47.62]	1	4.00 [101.60]	1.830 [46.48]	2.719 [69.06]	2.92 [74.17]	-	2.500-16 UN
86	-	40	32	1.437 [36.50]	1.875 [47.62]	1	5.00 [127.00]	1.830 [46.48]	2.719 [69.06]	3.92 [99.57]	-	2.500-16 UN
87	-	44	20	.875 [22.22]	1.250 [31.75]	1	4.00 [101.60]	1.375 [34.92]	2.969 [75.41]	2.92 [74.17]	-	1.750-18 UNS
88	-	44	20	.875 [22.22]	1.250 [31.75]	1	5.00 [127.00]	1.375 [34.92]	2.969 [75.41]	3.92 [99.57]	-	1.750-18 UNS
89	-	44	24	1.000 [25.40]	1.375 [34.92]	1	4.00 [101.60]	1.500 [38.10]	2.969 [75.41]	2.92 [74.17]	-	2.000-18 UNS
90	-	44	24	1.000 [25.40]	1.375 [34.92]	1	5.00 [127.00]	1.500 [38.10]	2.969 [75.41]	3.92 [99.57]	-	2.000-18 UNS
91	-	44	28	1.250 [31.75]	1.625 [41.27]	1	4.00 [101.60]	1.781 [45.24]	2.969 [75.41]	2.92 [74.17]	-	2.250-16 UN
92	-	44	28	1.250 [31.75]	1.625 [41.27]	1	5.00 [127.00]	1.781 [45.24]	2.969 [75.41]	3.92 [99.57]	-	2.250-16 UN
93	-	44	32	1.437 [36.50]	1.875 [47.62]	1	4.00 [101.60]	1.830 [46.48]	2.969 [75.41]	2.92 [74.17]	-	2.500-16 UN

Dimensions in brackets [ ] are in millimeters.

Continued on Next Page

2D

# STRAIGHT ENVIRONMENTAL BACKSHELL WITH CABLE CLAMP

B049AF11

Continued from Previous Page

DASH NO.	FITS SHELL OF CONN.		CLAMP SIZE	A WIRE BUNDLE RANGE [DIA]		STYLE	B ±.125 [±3.17]	C REF.	ØD MAX.	E ±.125 [±3.17]	F MAX	V THREAD CLASS 2A
	MIL-DTL-26482 SERIES 2	AS50151 CRIMP		MIN.	MAX.							
94	-	44	32	1.437 [36.50]	1.875 [47.62]	1	5.00 [127.00]	1.830 [46.48]	2.969 [75.41]	3.92 [99.57]	-	2.500-16 UN
95	-	48	20	.875 [22.22]	1.250 [31.75]	1	4.00 [101.60]	1.375 [34.92]	3.219 [81.76]	2.92 [74.17]	-	1.750-18 UNS
96	-	48	20	.875 [22.22]	1.250 [31.75]	1	5.00 [127.00]	1.375 [34.92]	3.219 [81.76]	3.92 [99.57]	-	1.750-18 UNS
97	-	48	24	1.000 [25.40]	1.375 [34.92]	1	4.00 [101.60]	1.500 [38.10]	3.219 [81.76]	2.92 [74.17]	-	2.000-18 UNS
98	-	48	24	1.000 [25.40]	1.375 [34.92]	1	5.00 [127.00]	1.500 [38.10]	3.219 [81.76]	3.92 [99.57]	-	2.000-18 UNS
99	-	48	28	1.250 [31.75]	1.625 [41.27]	1	4.00 [101.60]	1.781 [45.24]	3.219 [81.76]	2.92 [74.17]	-	2.250-16 UN
100	-	48	28	1.250 [31.75]	1.625 [41.27]	1	5.00 [127.00]	1.781 [45.24]	3.219 [81.76]	3.92 [99.57]	-	2.250-16 UN
101	-	48	32	1.437 [36.50]	1.875 [47.62]	1	4.00 [101.60]	1.830 [46.48]	3.219 [81.76]	2.92 [74.17]	-	2.500-16 UN
102	-	48	32	1.437 [36.50]	1.875 [47.62]	1	5.00 [127.00]	1.830 [46.48]	3.219 [81.76]	3.92 [99.57]	-	2.500-16 UN
111	12	12, 12S	10	.350 [8.89]	.500 [12.70]	1	2.00 [50.80]	1.027 [26.09]	.858 [21.79]	1.00 [25.40]	-	1.000-20 UNEF
112	16	16, 16S	6	.250 [6.35]	.437 [11.10]	1	2.00 [50.80]	1.027 [26.09]	1.112 [28.24]	1.00 [25.40]	-	.750-20 UNEF
113	16	16, 16S	6	.250 [6.35]	.437 [11.10]	1	3.00 [76.20]	1.027 [26.09]	1.112 [28.24]	2.00 [50.80]	-	.750-20 UNEF
114	12	12, 12S	4	.125 [3.17]	.312 [7.92]	1	2.00 [50.80]	1.027 [26.09]	.858 [21.79]	1.00 [25.40]	-	.625-24 UNEF
115	12	12, 12S	4	.125 [3.17]	.312 [7.92]	1	3.00 [76.20]	1.027 [26.09]	.858 [21.79]	2.00 [50.80]	-	.625-24 UNEF
116	14	14, 14S	6	.250 [6.35]	.437 [11.10]	1	2.00 [50.80]	1.027 [26.09]	.984 [24.99]	1.00 [25.40]	-	.750-20 UNEF
117	14	14S, 14S	6	.250 [6.35]	.437 [11.10]	1	3.00 [76.20]	1.027 [26.09]	.984 [24.99]	2.00 [50.80]	-	.750-20 UNEF
118	16	16, 16S	10	.350 [8.89]	.625 [15.87]	1	2.00 [50.80]	1.027 [26.09]	1.112 [28.24]	.92 [23.37]	-	1.000-20 UNEF
119	16	16, 16S	10	.350 [8.89]	.625 [15.87]	1	3.00 [76.20]	1.027 [26.09]	1.112 [28.24]	1.92 [48.77]	-	1.000-20 UNEF
120	18	18	4	.125 [3.17]	.312 [7.92]	1	2.00 [50.80]	1.027 [26.09]	1.218 [30.94]	.92 [23.37]	-	.625-24 UNEF
121	18	18	4	.125 [3.17]	.312 [7.92]	1	3.00 [76.20]	1.027 [26.09]	1.218 [30.94]	1.92 [48.77]	-	.625-24 UNEF
122	18	18	6	.250 [6.35]	.437 [11.10]	1	2.00 [50.80]	1.027 [26.09]	1.218 [30.94]	.92 [23.37]	-	.750-20 UNEF
123	18	18	6	.250 [6.35]	.437 [11.10]	1	3.00 [76.20]	1.027 [26.09]	1.218 [30.94]	1.92 [48.77]	-	.750-20 UNEF
124	20	20	6	.250 [6.35]	.437 [11.10]	1	3.00 [76.20]	1.027 [26.09]	1.345 [34.16]	1.92 [48.77]	-	.750-20 UNEF
125	20	20	6	.250 [6.35]	.437 [11.10]	1	4.00 [101.60]	1.027 [26.09]	1.345 [34.16]	2.92 [74.17]	-	.750-20 UNEF
126	22	22	4	.125 [3.17]	.312 [7.92]	1	3.00 [76.20]	1.027 [26.09]	1.468 [37.29]	1.92 [48.77]	-	.625-24 UNEF
127	22	22	4	.125 [3.17]	.312 [7.92]	1	4.00 [101.60]	1.027 [26.09]	1.468 [37.29]	2.92 [74.17]	-	.625-24 UNEF
128	22	22	6	.250 [6.35]	.437 [11.10]	1	3.00 [76.20]	1.027 [26.09]	1.468 [37.29]	1.92 [48.77]	-	.750-20 UNEF
129	22	22	6	.250 [6.35]	.437 [11.10]	1	4.00 [101.60]	1.027 [26.09]	1.468 [37.29]	2.92 [74.17]	-	.750-20 UNEF
130	24	24	10	.350 [8.89]	.625 [15.87]	1	3.00 [76.20]	1.027 [26.09]	1.593 [40.46]	1.92 [48.77]	-	1.000-20 UNEF
131	24	24	10	.350 [8.89]	.625 [15.87]	1	4.00 [101.60]	1.027 [26.09]	1.593 [40.46]	2.92 [74.17]	-	1.000-20 UNEF

Dimensions in brackets [ ] are in millimeters.

Continued on Next Page



# STRAIGHT ENVIRONMENTAL BACKSHELL WITH CABLE CLAMP

B049AF11

Continued from Previous Page

DASH NO.	FITS SHELL OF CONN.		CLAMP SIZE	A WIRE BUNDLE RANGE [DIA]		STYLE	B ±.125 [±3.17]	C REF.	ØD MAX.	E ±.125 [±3.17]	F MAX	V THREAD CLASS 2A
	MIL-DTL-26482 SERIES 2	AS50151 CRIMP		MIN.	MAX.							
132	-	36	12	.500 [12.70]	.750 [19.05]	1	4.00 [101.60]	1.059 [26.90]	2.469 [62.71]	2.92 [74.17]	-	1.187-18 UNEF
133	-	36	12	.500 [12.70]	.750 [19.05]	1	5.00 [127.00]	1.059 [26.90]	2.469 [62.71]	3.92 [99.57]	-	1.187-18 UNEF
134	-	40	12	.500 [12.70]	.750 [19.05]	1	4.00 [101.60]	1.059 [26.90]	2.719 [69.06]	2.92 [74.17]	-	1.187-18 UNEF
135	-	40	12	.500 [12.70]	.750 [19.05]	1	5.00 [127.00]	1.059 [26.90]	2.719 [69.06]	3.92 [99.57]	-	1.187-18 UNEF
136	10	10S, 10SL	6	.250 [6.35]	.375 [9.52]	1	2.00 [50.80]	1.027 [26.09]	.734 [18.64]	1.06 [26.92]	-	.750-20 UNEF
137	10	10S, 10SL	6	.250 [6.35]	.375 [9.52]	1	3.00 [76.20]	1.027 [26.09]	.734 [18.64]	2.06 [52.32]	-	.750-20 UNEF
138	12	12, 12S	10	.350 [8.89]	.500 [12.70]	1	2.00 [50.80]	1.027 [26.09]	.858 [21.79]	1.06 [26.92]	-	1.000-20 UNEF
139	12	12, 12S	10	.350 [8.89]	.500 [12.70]	1	3.00 [76.20]	1.027 [26.09]	.858 [21.79]	2.06 [52.32]	-	1.000-20 UNEF
140	20	20	16	.625 [15.87]	.904 [22.96]	1	3.00 [76.20]	1.156 [29.36]	1.345 [34.16]	1.92 [48.77]	-	1.437-18 UNEF
141	20	20	16	.625 [15.87]	.904 [22.96]	1	4.00 [101.60]	1.156 [29.36]	1.345 [34.16]	2.92 [74.17]	-	1.437-18 UNEF
142	22	22	20	.875 [22.22]	1.029 [26.14]	1	3.00 [76.20]	1.375 [34.92]	1.468 [37.29]	1.92 [48.77]	-	1.750-18 UNS
143	22	22	20	.875 [22.22]	1.029 [26.14]	1	4.00 [101.60]	1.375 [34.92]	1.468 [37.29]	2.92 [74.17]	-	1.750-18 UNS
144	24	24	20	.875 [22.22]	1.144 [29.06]	1	3.00 [76.20]	1.375 [34.92]	1.593 [40.46]	1.92 [48.77]	-	1.750-18 UNS
145	24	24	20	.875 [22.22]	1.144 [29.06]	1	4.00 [101.60]	1.375 [34.92]	1.593 [40.46]	2.92 [74.17]	-	1.750-18 UNS
146	-	36	32	1.437 [36.50]	1.840 [46.74]	1	4.00 [101.60]	1.830 [46.48]	2.469 [62.71]	2.92 [74.17]	-	2.500-16 UN
147	-	36	32	1.437 [36.50]	1.840 [46.74]	1	5.00 [127.00]	1.830 [46.48]	2.469 [62.71]	3.92 [99.57]	-	2.500-16 UN
148	-	36	16	.625 [15.87]	.937 [23.80]	1	4.00 [101.60]	1.156 [29.36]	2.469 [62.71]	2.92 [74.17]	-	1.437-18 UNEF
149	-	36	16	.625 [15.87]	.937 [23.80]	1	5.00 [127.00]	1.156 [29.36]	2.469 [62.71]	3.92 [99.57]	-	1.437-18 UNEF
150	14	14, 14S	4	.125 [3.17]	.312 [7.92]	1	2.00 [50.80]	1.027 [26.09]	.964 [24.49]	.92 [23.37]	-	.625-24 UNEF
151	14	14, 14S	4	.125 [3.17]	.312 [7.92]	1	3.00 [76.20]	1.027 [26.09]	.964 [24.49]	1.92 [48.77]	-	.625-24 UNEF
152	16	16, 16S	4	.125 [3.17]	.312 [7.92]	1	2.00 [50.80]	1.027 [26.09]	1.112 [28.24]	.92 [23.37]	-	.625-24 UNEF
153	16	16, 16S	4	.125 [3.17]	.312 [7.92]	1	3.00 [76.20]	1.027 [26.09]	1.112 [28.24]	1.92 [48.77]	-	.625-24 UNEF
154	-	44	16	.625 [15.87]	.937 [23.80]	1	4.00 [101.60]	1.156 [29.36]	2.969 [75.41]	2.92 [74.17]	-	1.437-18 UNEF
155	-	44	16	.625 [15.87]	.937 [23.80]	1	5.00 [127.00]	1.156 [29.36]	2.969 [75.41]	3.92 [99.57]	-	1.437-18 UNEF
156	-	40	16	.625 [15.87]	.937 [23.80]	1	4.00 [101.60]	1.156 [29.36]	2.719 [69.06]	2.92 [74.17]	-	1.437-18 UNEF
157	-	40	16	.625 [15.87]	.937 [23.80]	1	5.00 [127.00]	1.156 [29.36]	2.719 [69.06]	3.92 [99.57]	-	1.437-18 UNEF

Dimensions in brackets [ ] are in millimeters.

2D



# We've Got You Covered



Contact  
Spacecraft's  
Consultative Sales Team  
for Ordering Information

Quality Manufacturing  
in AMERICA 

YOUR  
**CONNECTOR  
CONSULTANT**  
SINCE 1962

 **SPACECRAFT  
COMPONENTS CORP.**

**702.851.7600**

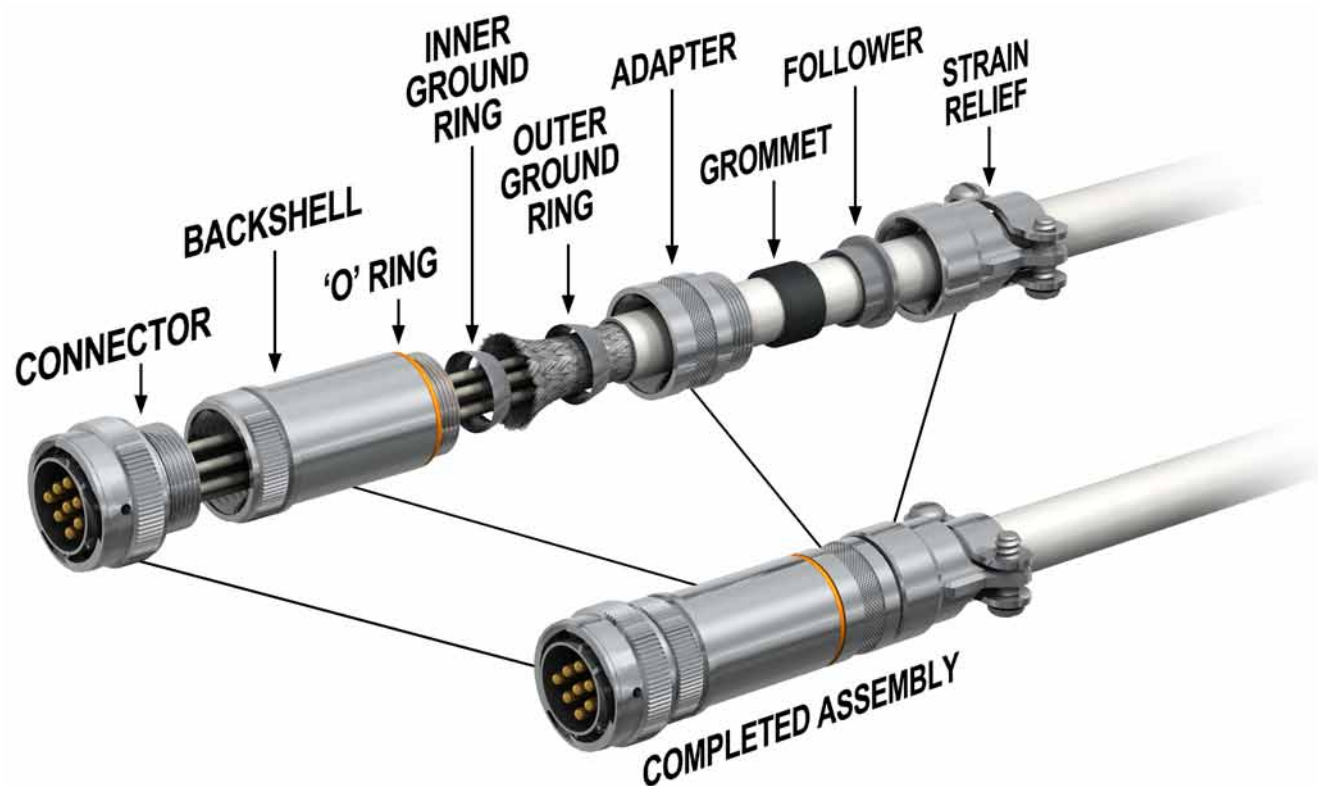


# SECTION 3D

## BACKSHELLS

### ENVIRONMENTAL EMI/RFI

3D



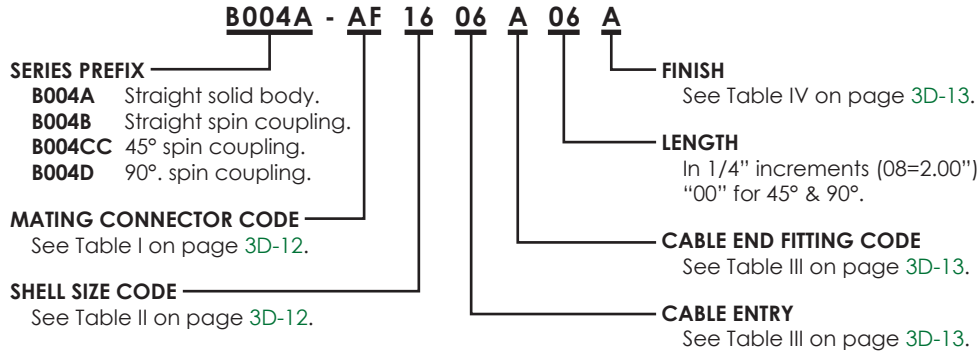
Typical Environmental EMI/RFI Backshell Assembly

# STRAIGHT, 45° & 90° CONE TERMINATION

B004A, B004B, B004CC, B004D

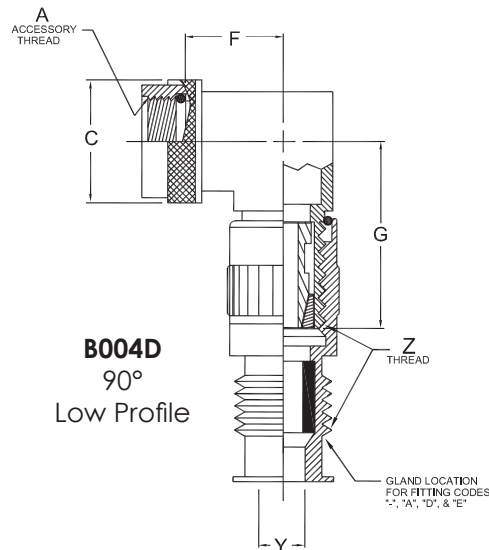
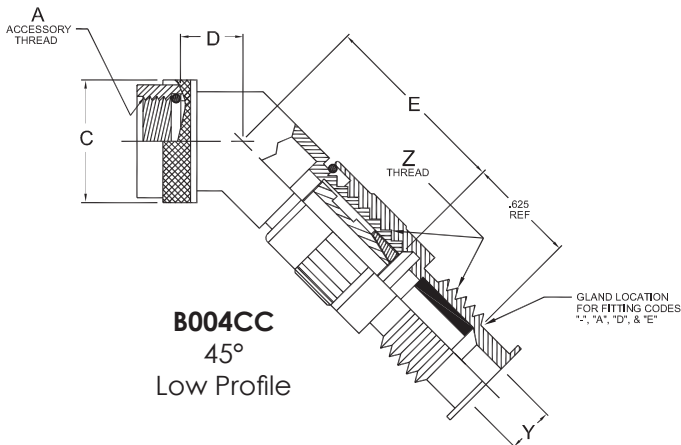
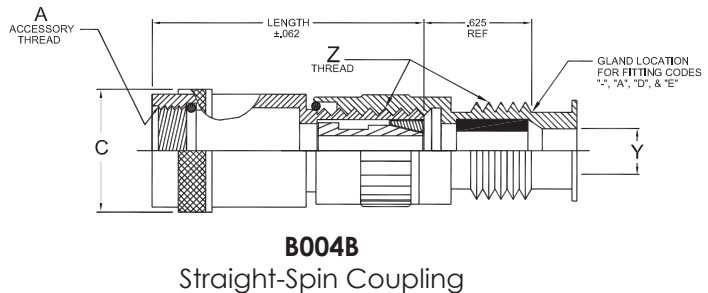
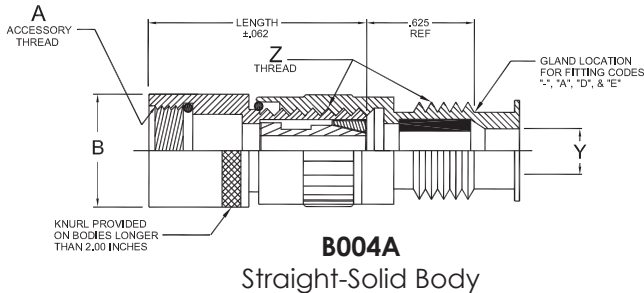
Various Series. See Table I on Page 3D-12.

## ORDERING INFORMATION



An interfacial adapter will be supplied when maximum cable entry exceeds the connector insert diameter. See Page 3D-10.

For dimensions Y and Z see Table III on Page 3D-13.



# STRAIGHT, 45° & 90° CONE TERMINATION

B004A, B004B, B004CC, B004D

A ACCESSORY THREAD	MATES WITH SHELL SIZE BELOW BY CONNECTOR CODE								B MAX.	C MAX.	D MAX.	E MAX.	F MAX.	G MAX.	
	AB	AF	AK	AM	BA	BB	BF								BG
			SWLD†	SWL†			SERIES								
	*1	*2			I	II	III								
.375-32UNEF	8S								.531	.688	.500	1.000	.750	1.125	
.438-28UNEF					8		9	8	.594	.688	.500	1.000	.750	1.125	
.500-20UNF		8 & 8S							.656	.617	.500	1.000	.750	1.125	
.500-28UNEF	10S			10					.656	.850	.500	1.000	.750	1.188	
M12x 1.0								9	.656	.688	.750	1.031	1.000	1.250	
.562-24UNEF					10		11	10	.719	.812	.750	1.031	1.000	1.250	
.625-24UNEF	10SL, 12 & 12S	10, 10S & 10SL		12		8			.781	.875	.750	1.031	1.000	1.250	
M15x 1.0								11	.781	.812	.750	1.062	1.000	1.312	
.688-24UNEF					12		13	12	.844	.938	.812	1.062	1.062	1.312	
.750-20UNEF	14 & 14S	12 & 12S	12	14		10			.906	1.000	.812	1.062	1.062	1.312	
M18x 1.0								13	.906	.938	.812	1.125	1.062	1.312	
.812-20UNEF					14		15	14	.969	1.062	.812	1.125	1.062	1.375	
.875-20UNEF	16 & 16S	14 & 14S	14	16		12			1.031	1.125	.812	1.125	1.062	1.375	
M22x 1.0								15	1.031	1.062	.812	1.188	1.062	1.438	
.938-20UNEF					16		17	16	1.094	1.188	.844	1.188	1.125	1.438	
1.000-20UNEF	18	16 & 16S	16	18		14			1.156	1.250	.844	1.188	1.125	1.438	
M25x 1.0								17	1.156	1.188	.844	1.188	1.125	1.500	
1.062-18UNEF		18			18		19	18	1.219	1.312	.875	1.188	1.188	1.500	
1.125-18UNEF	20		18	20		16			1.281	1.375	.875	1.188	1.188	1.562	
M28x 1.0								19	1.281	1.312	.875	1.188	1.188	1.562	
1.188-18UNEF		20			20		21	20	1.344	1.438	.938	1.188	1.250	1.562	
1.250-18UNEF	22		20	22		18			1.406	1.500	.938	1.188	1.250	1.625	
M31 x 1.0								21	1.406	1.438	.938	1.250	1.250	1.625	
1.312-18UNEF		22			22		23	22	1.469	1.562	.938	1.250	1.250	1.625	
1.375-18UNEF	24		22	24		20			1.531	1.625	.938	1.250	1.250	1.625	
M34x 1.0								23	1.531	1.562	.938	1.312	1.250	1.750	
1.438-18UNEF		24			24		25	24	1.594	1.688	1.000	1.312	1.375	1.750	
1.500-18UNEF						22			1.656	1.688	1.000	1.312	1.375	1.750	
M37x 1.0								25	1.656	1.688	1.000	1.312	1.375	1.750	
1.625-18UNEF	28		24	28		24			1.844	1.969	1.000	1.312	1.375	1.750	
1.750-18UNS		28							1.969	2.094	1.000	1.438	1.375	1.812	
1.875-16UN	32		28	32					2.094	2.219	1.125	1.438	1.500	1.812	
2.000-18UNS		32							2.219	2.344	1.125	1.438	1.500	1.812	
2.062-16UNS	36		32	36					2.281	2.406	1.125	1.500	1.500	2.125	
2.250-16UN		36							2.469	2.594	1.125	1.500	1.500	2.250	
2.312-16UNS	40		36	40					2.531	2.656	1.250	1.500	1.625	2.250	
2.500-16UN		40							2.719	2.844	1.250	1.500	1.500	2.250	
2.625-16UN			40	44					2.844	2.969	1.250	1.500	1.625	2.375	
2.750-16UN		44							2.969	2.969	1.250	1.500	1.625	2.375	
2.875-16UN			44	48					3.094	3.281	1.250	1.500	1.625	2.375	
3.000-16UN		48							3.219	2.406	1.250	1.500	1.625	2.375	

\* 1 - Shell Sizes I, A, W, AS50151 (Crimp), MIL-DTL-26482 (Series 2)

\* 2 - Shell Sizes I, A, W, MIL-DTL-22992 Class C, J & R

† Left hand threads

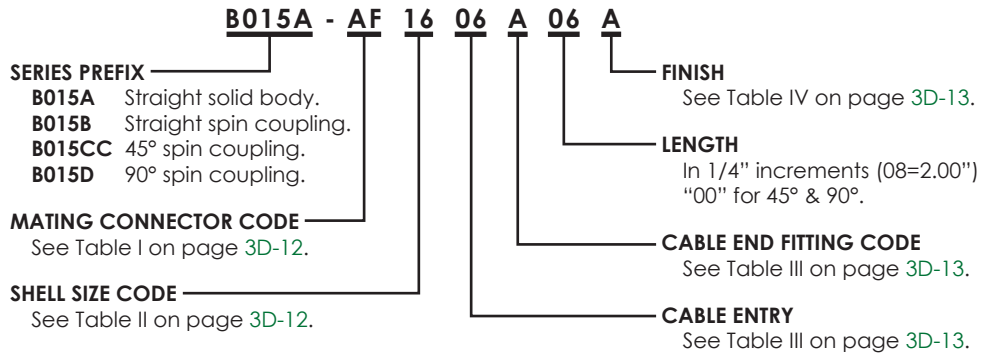
3D

# STRAIGHT, 45° & 90° INVERTED CONE TERMINATION

B015A, B015B, B015CC, B015D

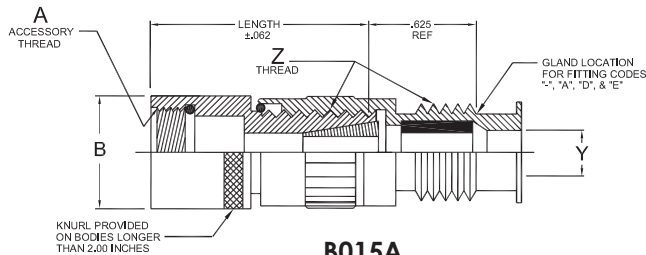
Various Series. See Table I on Page 3D-12.

## ORDERING INFORMATION

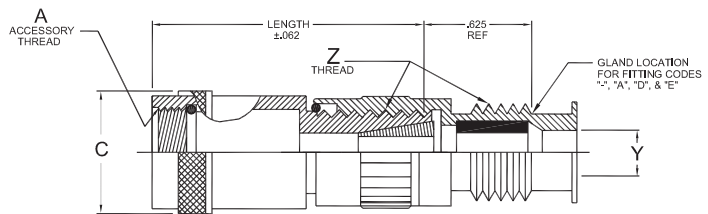


An interfacial adapter will be supplied when maximum cable entry exceeds the connector insert diameter. See Page 3D-10.

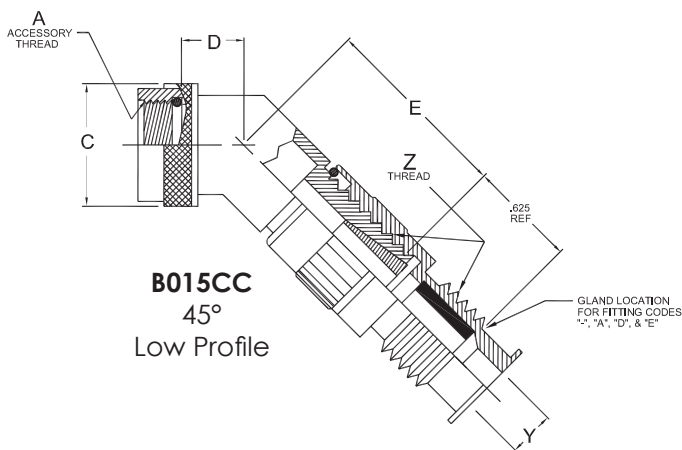
For dimensions Y and Z see Table III on Page 3D-13.



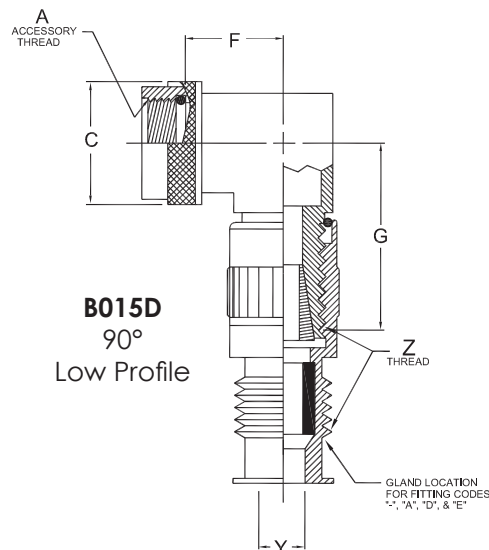
**B015A**  
Straight-Solid Body



**B015B**  
Straight-Spin Coupling



**B015CC**  
45°  
Low Profile



**B015D**  
90°  
Low Profile



# STRAIGHT, 45° & 90° INVERTED CONE TERMINATION

B015A, B015B, B015CC, B015D

A ACCESSORY THREAD	MATES WITH SHELL SIZE BELOW BY CONNECTOR CODE								B MAX.	C MAX.	D MAX.	E MAX.	F MAX.	G MAX.	
	AB	AF	AK	AM	BA	BB	BF								BG
			SWLD†	SWL†			SERIES								
	*1	*2			I	II	III								
.375-32UNEF	8S								.531	.688	.500	1.000	.750	1.125	
.438-28UNEF					8		9	8	.594	.688	.500	1.000	.750	1.125	
.500-20UNF		8 & 8S							.656	.617	.500	1.000	.750	1.125	
.500-28UNEF	10S			10					.656	.850	.500	1.000	.750	1.188	
M12x 1.0								9	.656	.688	.750	1.031	1.000	1.250	
.562-24UNEF					10		11	10	.719	.812	.750	1.031	1.000	1.250	
.625-24UNEF	10SL, 12 & 12S	10, 10S & 10SL		12		8			.781	.875	.750	1.031	1.000	1.250	
M15x 1.0								11	.781	.812	.750	1.062	1.000	1.312	
.688-24UNEF					12		13	12	.844	.938	.812	1.062	1.062	1.312	
.750-20UNEF	14 & 14S	12 & 12S	12	14		10			.906	1.000	.812	1.062	1.062	1.312	
M18x 1.0								13	.906	.938	.812	1.125	1.062	1.312	
.812-20UNEF					14		15	14	.969	1.062	.812	1.125	1.062	1.375	
.875-20UNEF	16 & 16S	14 & 14S	14	16		12			1.031	1.125	.812	1.125	1.062	1.375	
M22x 1.0								15	1.031	1.062	.812	1.188	1.062	1.438	
.938-20UNEF					16		17	16	1.094	1.188	.844	1.188	1.125	1.438	
1.000-20UNEF	18	16 & 16S	16	18		14			1.156	1.250	.844	1.188	1.125	1.438	
M25x 1.0								17	1.156	1.188	.844	1.188	1.125	1.500	
1.062-18UNEF		18			18		19	18	1.219	1.312	.875	1.188	1.188	1.500	
1.125-18UNEF	20		18	20		16			1.281	1.375	.875	1.188	1.188	1.562	
M28x 1.0								19	1.281	1.312	.875	1.188	1.188	1.562	
1.188-18UNEF		20			20		21	20	1.344	1.438	.938	1.188	1.250	1.562	
1.250-18UNEF	22		20	22		18			1.406	1.500	.938	1.188	1.250	1.625	
M31 x 1.0								21	1.406	1.438	.938	1.250	1.250	1.625	
1.312-18UNEF		22			22		23	22	1.469	1.562	.938	1.250	1.250	1.625	
1.375-18UNEF	24		22	24		20			1.531	1.625	.938	1.250	1.250	1.625	
M34x 1.0								23	1.531	1.562	.938	1.312	1.250	1.750	
1.438-18UNEF		24			24		25	24	1.594	1.688	1.000	1.312	1.375	1.750	
1.500-18UNEF						22			1.656	1.688	1.000	1.312	1.375	1.750	
M37x 1.0								25	1.656	1.688	1.000	1.312	1.375	1.750	
1.625-18UNEF	28		24	28		24			1.844	1.969	1.000	1.312	1.375	1.750	
1.750-18UNS		28							1.969	2.094	1.000	1.438	1.375	1.812	
1.875-16UN	32		28	32					2.094	2.219	1.125	1.438	1.500	1.812	
2.000-18UNS		32							2.219	2.344	1.125	1.438	1.500	1.812	
2.062-16UNS	36		32	36					2.281	2.406	1.125	1.500	1.500	2.125	
2.250-16UN		36							2.469	2.594	1.125	1.500	1.500	2.250	
2.312-16UNS	40		36	40					2.531	2.656	1.250	1.500	1.625	2.250	
2.500-16UN		40							2.719	2.844	1.250	1.500	1.500	2.250	
2.625-16UN			40	44					2.844	2.969	1.250	1.500	1.625	2.375	
2.750-16UN		44							2.969	2.969	1.250	1.500	1.625	2.375	
2.875-16UN			44	48					3.094	3.281	1.250	1.500	1.625	2.375	
3.000-16UN		48							3.219	2.406	1.250	1.500	1.625	2.375	

\* 1 - Shell Sizes I, A, W, AS50151 (Crimp), MIL-DTL-26482 (Series 2)

\* 2 - Shell Sizes I, A, W, MIL-DTL-22992 Class C, J & R

† Left hand threads

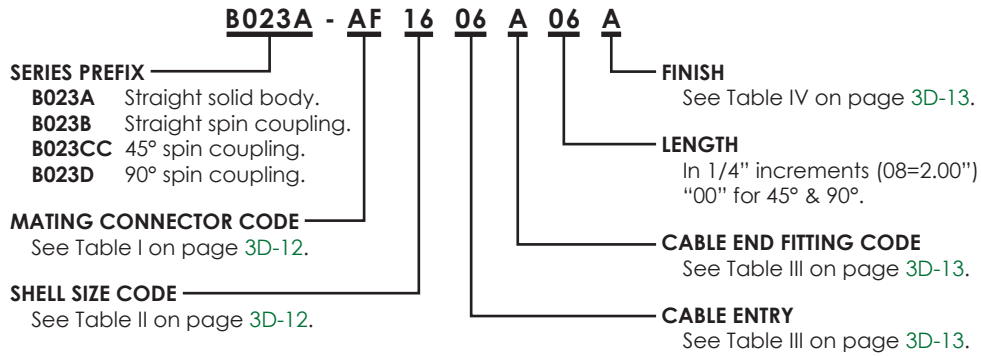
3D

# STRAIGHT, 45° & 90° 2 RING TERMINATION

B023A, B023B, B023CC, B023D

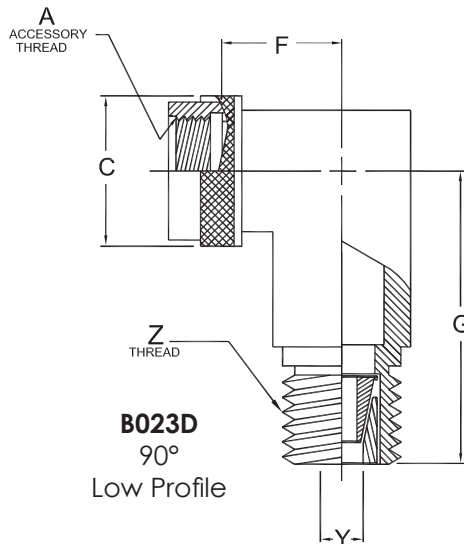
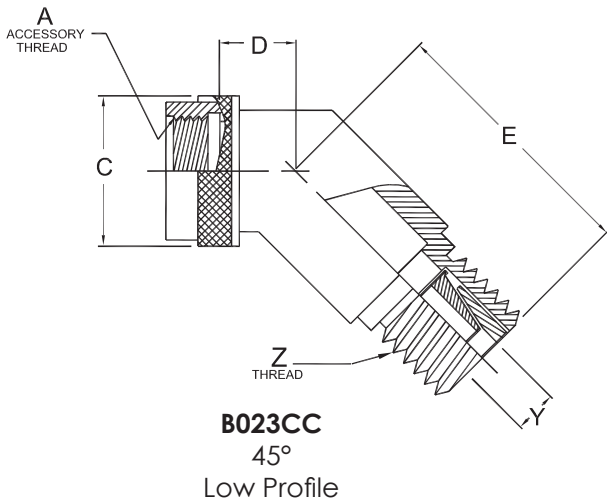
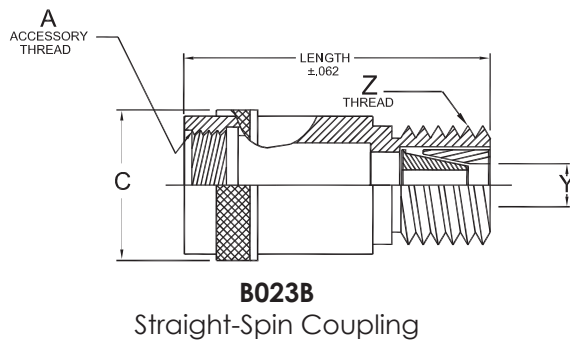
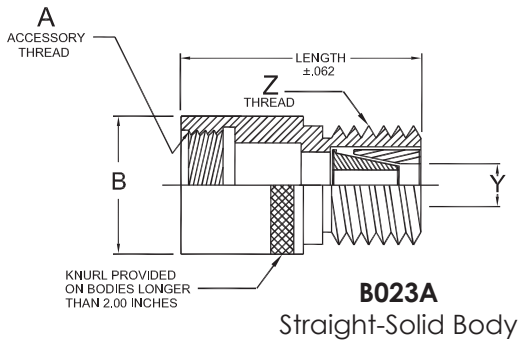
Various Series. See Table I on Page 3D-12.

## ORDERING INFORMATION



An interfacial adapter will be supplied when maximum cable entry exceeds the connector insert diameter. See Page 3D-10.

For dimensions Y and Z see Table III on Page 3D-13.



# STRAIGHT, 45° & 90° 2 RING TERMINATION

B023A, B023B, B023CC, B023D

A ACCESSORY THREAD	MATES WITH SHELL SIZE BELOW BY CONNECTOR CODE								B MAX.	C MAX.	D MAX.	E MAX.	F MAX.	G MAX.	
	AB	AF	AK	AM	BA	BB	BF								BG
			SWLD†	SWL†			SERIES								
	*1	*2			I	II	III								
.375-32UNEF	8S								.531	.688	.500	1.000	.750	1.125	
.438-28UNEF					8		9	8	.594	.688	.500	1.000	.750	1.125	
.500-20UNF		8 & 8S							.656	.617	.500	1.000	.750	1.125	
.500-28UNEF	10S			10					.656	.850	.500	1.000	.750	1.188	
M12x 1.0								9	.656	.688	.750	1.031	1.000	1.250	
.562-24UNEF					10		11	10	.719	.812	.750	1.031	1.000	1.250	
.625-24UNEF	10SL, 12 & 12S	10, 10S & 10SL		12		8			.781	.875	.750	1.031	1.000	1.250	
M15x 1.0								11	.781	.812	.750	1.062	1.000	1.312	
.688-24UNEF					12		13	12	.844	.938	.812	1.062	1.062	1.312	
.750-20UNEF	14 & 14S	12 & 12S	12	14		10			.906	1.000	.812	1.062	1.062	1.312	
M18x 1.0								13	.906	.938	.812	1.125	1.062	1.312	
.812-20UNEF					14		15	14	.969	1.062	.812	1.125	1.062	1.375	
.875-20UNEF	16 & 16S	14 & 14S	14	16		12			1.031	1.125	.812	1.125	1.062	1.375	
M22x 1.0								15	1.031	1.062	.812	1.188	1.062	1.438	
.938-20UNEF					16		17	16	1.094	1.188	.844	1.188	1.125	1.438	
1.000-20UNEF	18	16 & 16S	16	18		14			1.156	1.250	.844	1.188	1.125	1.438	
M25x 1.0								17	1.156	1.188	.844	1.188	1.125	1.500	
1.062-18UNEF		18			18		19	18	1.219	1.312	.875	1.188	1.188	1.500	
1.125-18UNEF	20		18	20		16			1.281	1.375	.875	1.188	1.188	1.562	
M28x 1.0								19	1.281	1.312	.875	1.188	1.188	1.562	
1.188-18UNEF		20			20		21	20	1.344	1.438	.938	1.188	1.250	1.562	
1.250-18UNEF	22		20	22		18			1.406	1.500	.938	1.188	1.250	1.625	
M31 x 1.0								21	1.406	1.438	.938	1.250	1.250	1.625	
1.312-18UNEF		22			22		23	22	1.469	1.562	.938	1.250	1.250	1.625	
1.375-18UNEF	24		22	24		20			1.531	1.625	.938	1.250	1.250	1.625	
M34x 1.0								23	1.531	1.562	.938	1.312	1.250	1.750	
1.438-18UNEF		24			24		25	24	1.594	1.688	1.000	1.312	1.375	1.750	
1.500-18UNEF						22			1.656	1.688	1.000	1.312	1.375	1.750	
M37x 1.0								25	1.656	1.688	1.000	1.312	1.375	1.750	
1.625-18UNEF	28		24	28		24			1.844	1.969	1.000	1.312	1.375	1.750	
1.750-18UNS		28							1.969	2.094	1.000	1.438	1.375	1.812	
1.875-16UN	32		28	32					2.094	2.219	1.125	1.438	1.500	1.812	
2.000-18UNS		32							2.219	2.344	1.125	1.438	1.500	1.812	
2.062-16UNS	36		32	36					2.281	2.406	1.125	1.500	1.500	2.125	
2.250-16UN		36							2.469	2.594	1.125	1.500	1.500	2.250	
2.312-16UNS	40		36	40					2.531	2.656	1.250	1.500	1.625	2.250	
2.500-16UN		40							2.719	2.844	1.250	1.500	1.500	2.250	
2.625-16UN			40	44					2.844	2.969	1.250	1.500	1.625	2.375	
2.750-16UN		44							2.969	2.969	1.250	1.500	1.625	2.375	
2.875-16UN			44	48					3.094	3.281	1.250	1.500	1.625	2.375	
3.000-16UN		48							3.219	2.406	1.250	1.500	1.625	2.375	

\* 1 - Shell Sizes I, A, W, AS50151 (Crimp), MIL-DTL-26482 (Series 2)

\* 2 - Shell Sizes I, A, W, MIL-DTL-22992 Class C, J & R

† Left hand threads

3D

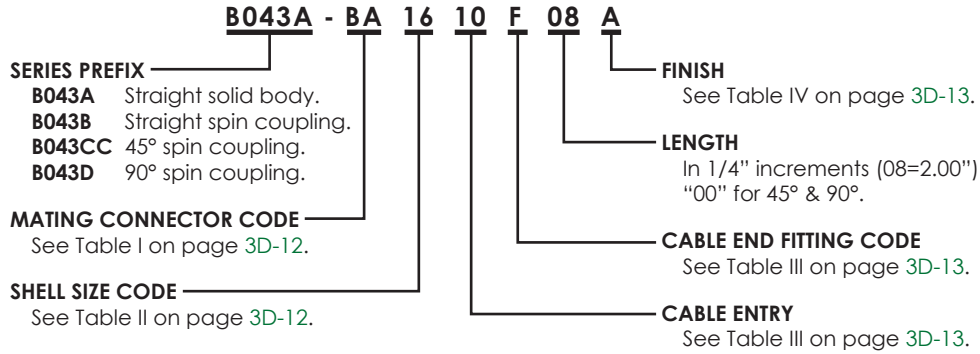


# STRAIGHT, 45° & 90° LIGHT WEIGHT TYPE

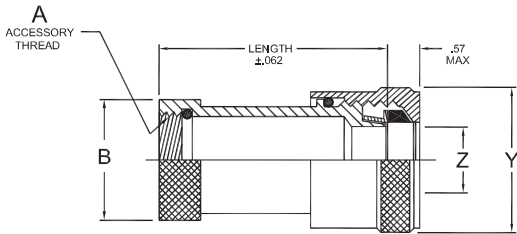
B043A, B043B, B043CC, B043D

Various Series. See Table I on Page 3D-12.

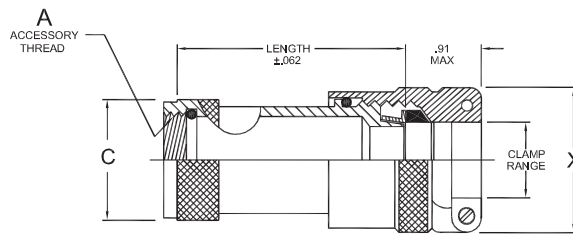
## ORDERING INFORMATION



An interfacial adapter will be supplied when maximum cable entry exceeds the connector insert diameter. See Page 3D-10.

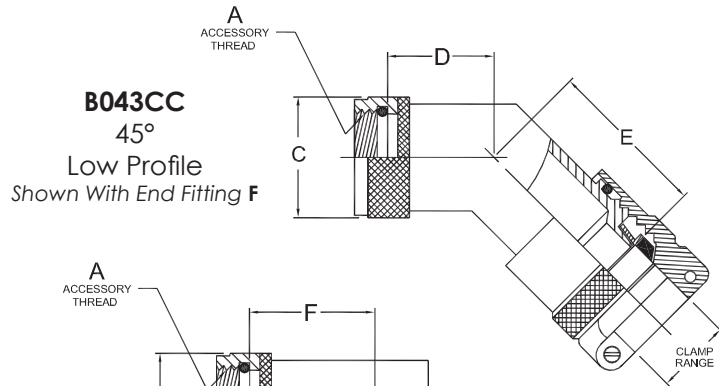


**B043A**  
Straight-Solid Body  
Shown With End Fitting G

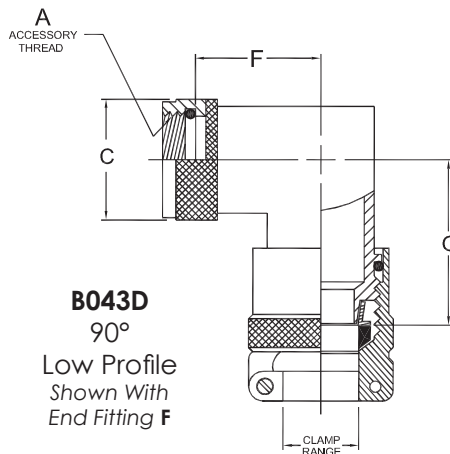


**B043B**  
Straight-Spin Coupling  
Shown With End Fitting F

CABLE ENTRY CODE	X MAX.	Y MAX.	Z REF.	CLAMP RANGE	
				OPEN	CLOSED
02	.719	.656	.125	.125	.062
04	.844	.781	.250	.250	.125
06	.969	.906	.375	.375	.188
08	1.094	1.031	.500	.500	.281
10	1.219	1.156	.625	.625	.406
12	1.344	1.281	.750	.750	.531
14	1.469	1.406	.875	.875	.656
16	1.594	1.531	1.000	1.000	.781
18	1.719	1.656	1.125	1.125	.906
20	1.844	1.781	1.250	1.250	1.031
22	1.969	1.906	1.375	1.375	1.156



**B043CC**  
45°  
Low Profile  
Shown With End Fitting F



**B043D**  
90°  
Low Profile  
Shown With End Fitting F



# STRAIGHT, 45° & 90° LIGHT WEIGHT TYPE

B043A, B043B, B043CC, B043D

A ACCESSORY THREAD	MATES WITH SHELL SIZE BELOW BY CONNECTOR CODE								B MAX.	C MAX.	D MAX.	E MAX.	F MAX.	G MAX.	
	AB	AF	AK	AM	BA	BB	BF								BG
			SWLD†	SWL†			SERIES								
	*1	*2			I	II	III								
.375-32UNEF	8S								.531	.688	.500	1.000	.750	1.125	
.438-28UNEF					8		9	8	.594	.688	.500	1.000	.750	1.125	
.500-20UNF		8 & 8S							.656	.617	.500	1.000	.750	1.125	
.500-28UNEF	10S			10					.656	.850	.500	1.000	.750	1.188	
M12x 1.0								9	.656	.688	.750	1.031	1.000	1.250	
.562-24UNEF					10		11	10	.719	.812	.750	1.031	1.000	1.250	
.625-24UNEF	10SL, 12 & 12S	10, 10S & 10SL		12		8			.781	.875	.750	1.031	1.000	1.250	
M15x 1.0								11	.781	.812	.750	1.062	1.000	1.312	
.688-24UNEF					12		13	12	.844	.938	.812	1.062	1.062	1.312	
.750-20UNEF	14 & 14S	12 & 12S	12	14		10			.906	1.000	.812	1.062	1.062	1.312	
M18x 1.0								13	.906	.938	.812	1.125	1.062	1.312	
.812-20UNEF					14		15	14	.969	1.062	.812	1.125	1.062	1.375	
.875-20UNEF	16 & 16S	14 & 14S	14	16		12			1.031	1.125	.812	1.125	1.062	1.375	
M22x 1.0								15	1.031	1.062	.812	1.188	1.062	1.438	
.938-20UNEF					16		17	16	1.094	1.188	.844	1.188	1.125	1.438	
1.000-20UNEF	18	16 & 16S	16	18		14			1.156	1.250	.844	1.188	1.125	1.438	
M25x 1.0								17	1.156	1.188	.844	1.188	1.125	1.500	
1.062-18UNEF		18			18		19	18	1.219	1.312	.875	1.188	1.188	1.500	
1.125-18UNEF	20		18	20		16			1.281	1.375	.875	1.188	1.188	1.562	
M28x 1.0								19	1.281	1.312	.875	1.188	1.188	1.562	
1.188-18UNEF		20			20		21	20	1.344	1.438	.938	1.188	1.250	1.562	
1.250-18UNEF	22		20	22		18			1.406	1.500	.938	1.188	1.250	1.625	
M31 x 1.0								21	1.406	1.438	.938	1.250	1.250	1.625	
1.312-18UNEF		22			22		23	22	1.469	1.562	.938	1.250	1.250	1.625	
1.375-18UNEF	24		22	24		20			1.531	1.625	.938	1.250	1.250	1.625	
M34x 1.0								23	1.531	1.562	.938	1.312	1.250	1.750	
1.438-18UNEF		24			24		25	24	1.594	1.688	1.000	1.312	1.375	1.750	
1.500-18UNEF						22			1.656	1.688	1.000	1.312	1.375	1.750	
M37x 1.0								25	1.656	1.688	1.000	1.312	1.375	1.750	
1.625-18UNEF	28		24	28		24			1.844	1.969	1.000	1.312	1.375	1.750	
1.750-18UNS		28							1.969	2.094	1.000	1.438	1.375	1.812	
1.875-16UN	32		28	32					2.094	2.219	1.125	1.438	1.500	1.812	
2.000-18UNS		32							2.219	2.344	1.125	1.438	1.500	1.812	
2.062-16UNS	36		32	36					2.281	2.406	1.125	1.500	1.500	2.125	
2.250-16UN		36							2.469	2.594	1.125	1.500	1.500	2.250	
2.312-16UNS	40		36	40					2.531	2.656	1.250	1.500	1.625	2.250	
2.500-16UN		40							2.719	2.844	1.250	1.500	1.500	2.250	
2.625-16UN			40	44					2.844	2.969	1.250	1.500	1.625	2.375	
2.750-16UN		44							2.969	2.969	1.250	1.500	1.625	2.375	
2.875-16UN			44	48					3.094	3.281	1.250	1.500	1.625	2.375	
3.000-16UN		48							3.219	2.406	1.250	1.500	1.625	2.375	

\* 1 - Shell Sizes I, A, W, AS50151 (Crimp), MIL-DTL-26482 (Series 2)

\* 2 - Shell Sizes I, A, W, MIL-DTL-22992 Class C, J & R

† Left hand threads

3D

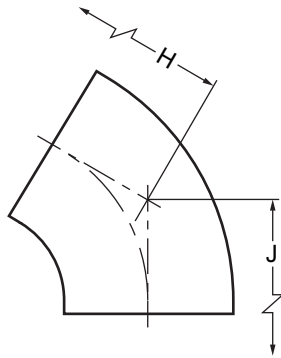


# CONFIGURATIONS

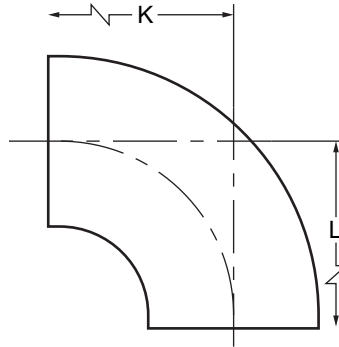
## CONFIGURATION CODES

CODE					DESCRIPTION
STRAIGHT	45°	45° BENT TUBE	90°	90° BENT TUBE	
A					Solid body
B	CC	C	D	H	Round non-locking nut, .032" safety wire holes
E	FF	F	G	K	Hex non-locking nut, .032 safety wire holes

## BENT TUBE CONFIGURATIONS

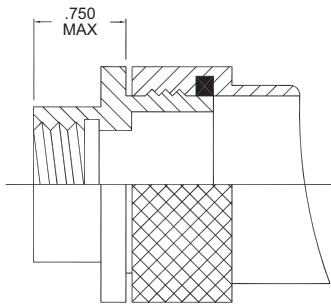


**45°  
Bent Tube**

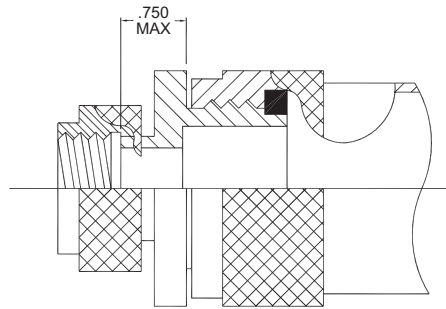


**90°  
Bent Tube**

## INTERFACIAL ADAPTER CONFIGURATIONS



**Straight Solid  
Configuration**



**Straight 45° & 90°  
Spin Configuration**

O-Rings Supplied for Environmental Assemblies Only



# BENT TUBE DIMENSIONS

A ACCESSORY THREAD	MATES WITH SHELL SIZE BELOW BY CONNECTOR CODE									H MAX.	J MAX.	K MAX.	L MAX.	
	AB	AF	AK	AM	BA	BB	BF							BG
			SWLD†	SWL†			SERIES							
			*1	*2			I	II	III					
.375-32UNEF	8S									.812	.875	1.125	1.188	
.438-28UNEF					8		9	8		.812	.875	1.125	1.188	
.500-20UNF		8 & 8S								.812	.875	1.125	1.188	
.500-28UNEF	10S			10						.812	.875	1.125	1.188	
M12x 1.0									9	.812	.875	1.125	1.188	
.562-24UNEF					10		11	10		.875	.938	1.250	1.312	
.625-24UNEF	10SL, 12 & 12S	10, 10S & 10SL		12		8				.875	.938	1.250	1.312	
M15x 1.0									11	.875	.938	1.250	1.312	
.688-24UNEF					12		13	12		.938	1.000	1.375	1.438	
.750-20UNEF	14 & 14S	12 & 12S	12	14		10				.938	1.000	1.375	1.438	
M18x 1.0									13	.938	1.000	1.375	1.438	
.812-20UNEF					14		15	14		1.000	1.062	1.500	1.562	
.875-20UNEF	16 & 16S	14 & 14S	14	16		12				1.000	1.062	1.500	1.562	
M22x 1.0									15	1.000	1.062	1.500	1.562	
.938-20UNEF					16		17	16		1.062	1.125	1.625	1.688	
1.000-20UNEF	18	16 & 16S	16	18		14				1.062	1.125	1.625	1.688	
M25x 1.0									17	1.062	1.125	1.625	1.688	
1.062-18UNEF		18			18		19	18		1.094	1.156	1.750	1.812	
1.125-18UNEF	20		18	20		16				1.094	1.156	1.750	1.812	
M28x 1.0									19	1.094	1.156	1.750	1.812	
1.188-18UNEF		20			20		21	20		1.156	1.219	1.875	1.938	
1.250-18UNEF	22		20	22		18				1.156	1.219	1.875	1.938	
M31 x 1.0									21	1.156	1.219	1.875	1.938	
1.312-18UNEF		22			22		23	22		1.188	1.250	2.000	2.062	
1.375-18UNEF	24		22	24		20				1.188	1.250	2.000	2.062	
M34x 1.0									23	1.188	1.250	2.000	2.062	
1.438-18UNEF		24			24		25	24		1.250	1.312	2.125	2.188	
1.500-18UNEF						22				1.250	1.312	2.125	2.188	
M37x 1.0									25	1.250	1.312	2.125	2.188	
1.625-18UNEF	28		24	28		24				1.344	1.625	2.375	2.625	
1.750-18UNS		28								1.344	1.625	2.375	2.625	
1.875-16UN	32		28	32						1.438	1.812	2.625	3.000	
2.000-18UNS		32								1.438	1.812	2.625	3.000	
2.062-16UNS	36		32	36						1.562	1.938	2.875	3.250	
2.250-16UN		36								1.562	1.938	2.875	3.250	
2.312-16UNS	40		36	40						1.688	2.062	3.125	3.500	
2.500-16UN		40								1.688	2.062	3.125	3.500	
2.625-16UN			40	44						1.750	2.188	3.375	3.812	
2.750-16UN		44								1.750	2.188	3.375	3.812	
2.875-16UN			44	48						1.875	2.312	3.625	4.062	
3.000-16UN		48								1.875	2.312	3.625	4.062	

\* 1 - Shell Sizes I, A, W, AS50151 (Crimp), MIL-DTL-26482 (Series 2)

\* 2 - Shell Sizes I, A, W, MIL-DTL-22992 Class C, J & R

† Left hand threads

3D

# MATING CONNECTOR CODES

**TABLE I. MATING CONNECTOR CODES**

CODE	CONNECTOR SPECIFICATION
<b>AB</b>	AS50151, Solder Contacts, and F80 Crimp, SCP and SCPB Series
<b>AF</b>	AS50151, Crimp Front or Rear Release Contacts SC30 thru SC39 and SC50 thru SC59 MIL-DTL-26482, Series 2, SCPT70 thru SCPT79
<b>AK</b>	MIL-DTL-22992, Class C & R, SWLD Series, SCP17343 thru SCP17347
<b>AM</b>	SWL Series
<b>BA</b>	MIL-DTL-26482 Series I, Solder or Crimp Front Release, SCPT and SCPC Series
<b>BB</b>	MIL-DTL-26482 Series I, Class E, F & P SCPT07* and SCPT07S*
<b>BF</b>	MIL-DTL-38999 Series I & II, SC1001, SC1466, SC1467, SC1468, SC1469, SC1470, SC1471, SC1496, SC1498, SC1505, SC1656, SC1662, SC2001, SC2472, SC2473, SC2474, SC2475, SC2476, SC2477, SC2478, SC2484, SC2497, SC2499, SC2508, SC2513
<b>BG</b>	MIL-DTL-38999, Series III, SC3920 thru SC3926

# SHELL SIZE CODES

**TABLE II. SHELL SIZE CODES**

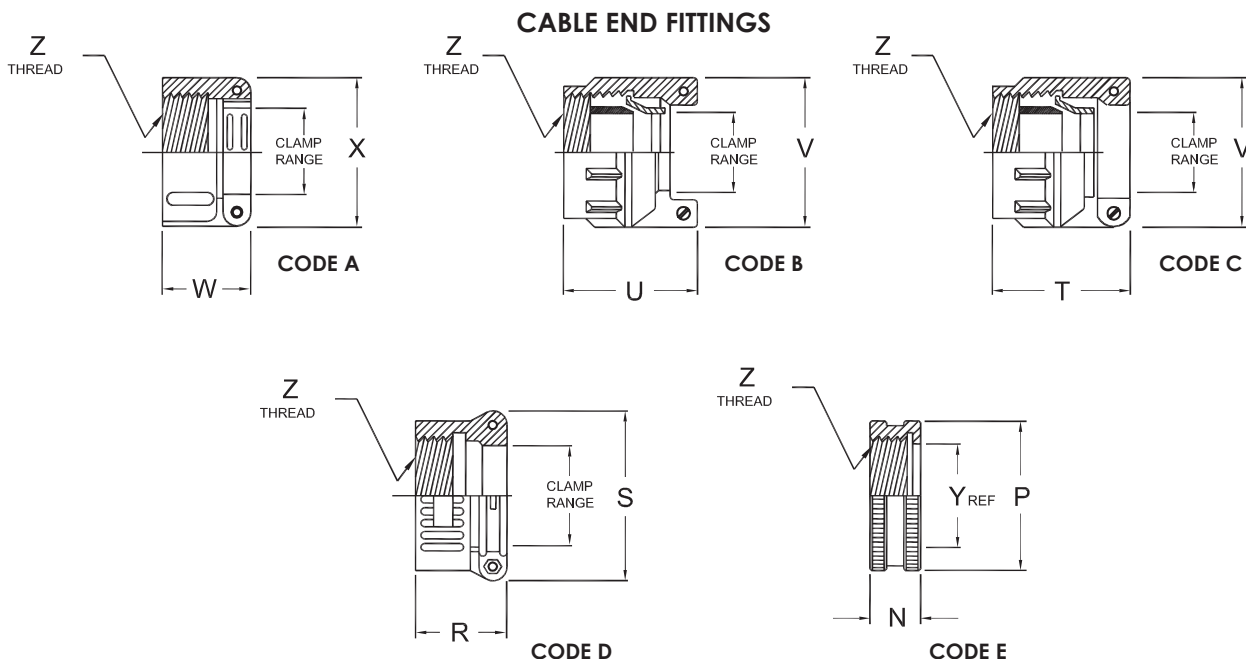
SHELL SIZE CODE	MATING CONNECTOR CODES									
	AB	AF	AK	AM	BA	BB	BF			BG
			SWLD	SWL			SERIES			
							I	II	III	
08	8S	8 & 8S			8	8	9	8		
09									9	
10	10S	10, 10S & 10SL		10	10	10	11	10		
11				12					11	
12	10SL, 12 & 12S	12 & 12S	12	14	12	12	13	12		
13									13	
14	14 & 14S	14 & 14S	14	16	14	14	15	14		
15									15	
16	16 & 16S	16 & 16S	16	18	16	16	17	16		
17									17	
18	18	18	18	20	18	18	19	18		
19									19	
20	20	20	20	22	20	20	21	20		
21									21	
22	22	22	22	24	22	22	23	22		
23									23	
24	24	24	24	28	24	24	25	24		
25									25	
28	28	28	28	32						
32	32	32	32	36						
36	36	36	36	40						
40	40	40	40	44						
44		44	44							
48		48	48							



### TABLE III. CABLE ENTRY CODE/CABLE END FITTING DIMENSIONS

CABLE ENTRY CODE	Z FITTING THREAD	Y REF.	END FITTING A				END FITTING B & C				END FITTING D				END FITTING E		
			X ±.031	W ±.031	CLAMP RANGE		V MAX.	U MAX.	T MAX.	CLAMP RANGE		S ±.020	R ±	CLAMP RANGE		P ±.016	N ±.016
					OPEN	CLOSED				OPEN	CLOSED			OPEN	CLOSED		
03	.500-28UNEF	.250	.812	.812	.250	.156	.812	1.031	1.031	.219	.094	-	-	-	-	.625	.438
04	.625-24UNEF	.312	.875	.812	.312	.188	.938	1.031	1.375	.312	.094	.938	1.281	.312	.125	.750	.438
06	.750-20UNEF	.438	1.062	.875	.438	.281	1.062	1.031	1.375	.438	.250	1.125	1.281	.438	.250	.875	.438
08	.875-20UNEF	.562	1.156	.938	.562	.344	1.188	1.031	1.375	.531	.312	1.312	1.281	.562	.312	1.031	.438
10	1.000-20UNEF	.625	1.250	.938	.625	.375	1.312	1.094	1.438	.625	.375	1.312	1.281	.625	.350	1.156	.438
12	1.188-18UNEF	.750	1.469	.938	.750	.438	1.562	1.219	1.438	.750	.500	1.531	1.312	.750	.500	1.344	.438
16	1.438-18UNEF	.938	1.688	1.031	.938	.562	1.750	1.219	1.562	.938	.594	1.750	1.406	.938	.625	1.564	.438
20	1.750-18UNS	1.250	2.031	1.094	1.250	.750	2.250	1.344	1.812	1.250	.938	2.094	1.594	1.250	.875	1.906	.500
24	2.000-18UNS	1.375	2.281	1.156	1.375	.781	2.375	1.547	2.062	1.375	.969	2.344	1.625	1.375	1.000	2.156	.562
28	2.250-16UN	1.625	2.688	1.688	1.625	.969	2.625	1.547	2.062	1.625	1.188	2.750	1.900	1.625	1.250	2.406	.562
32	2.500-16UN	1.875	2.938	1.750	1.875	1.125	2.812	1.734	2.188	1.875	1.375	3.000	1.900	1.875	1.438	2.656	.625
40	3.000-16UN	2.375	3.500	1.750	2.375	1.469	3.312	1.781	-	2.375	1.875	-	-	-	-	3.156	.688

3D



### TABLE IV. FINISH CODES CONSULT FACTORY FOR OTHER AVAILABLE FINISHES

FINISH CODE	DESCRIPTION
<b>A</b>	Cadmium, Olive Drab, per QQ-P-416, Type II, Over Electroless Nickel, per MIL-C-26074 (1000 Hour Salt Spray Finish)
<b>B</b>	Cadmium, Black, per QQ-P-416, Type II, Class 3
<b>C</b>	Cadmium, Olive Drab, per QQ-P-416, Type II, Class 3
<b>D</b>	Cadmium - Yellow, per QQ-P-416, Type II Class 3, 48 Hours
<b>E</b>	Cadmium - Yellow Over Nickel, 48 Hours
<b>F</b>	Anodize, Sulphuric, Black, per MIL-A-8625, Type II, Class 2
<b>G</b>	Chromium Plate, per QQ-C-320, CLASS 2 A, Type II
<b>H</b>	Anodize, Hard, Black, per MIL-A-8625, Type III, Class 2
<b>I</b>	Chemical Film, per MIL-C-5541
<b>J</b>	Cadmium, Clear, per QQ-P-416, Type II Class 3
<b>K</b>	Nickel, Electro Deposited, per QQ-N-290, Class 2

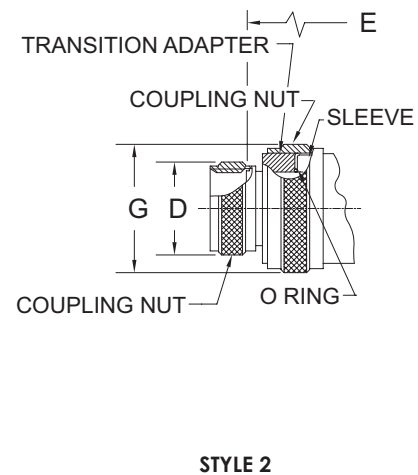
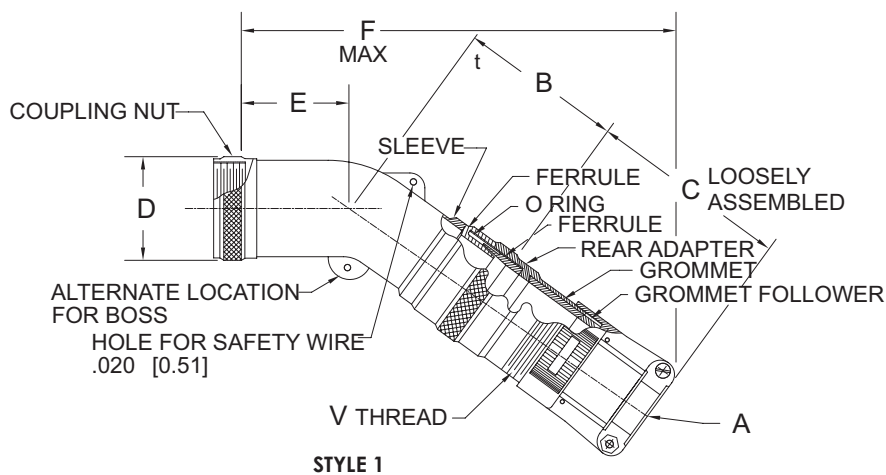
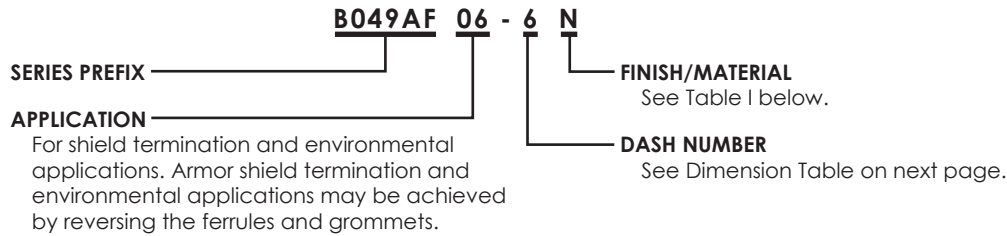
FINISH CODE	DESCRIPTION
<b>L</b>	Zinc Cobalt, Color O.D. .000050
<b>M</b>	Zinc Cobalt, Color Black, .000050
<b>N</b>	Electroless Nickel, per MIL-C-26074, Class 4, Grade B
<b>R</b>	Anodize, Hard, Gray, per MIL-A-8625, Type III, Class 1
<b>S</b>	Anodize, Sulphuric, Gray, per MIL-A-8625, Type II, Class 1
<b>T</b>	Anodize, Hard Color Blue
<b>U</b>	Anodize, Hard Color Red
<b>V</b>	Anodize, Hard Color Yellow
<b>X</b>	Cadmium, Bright, per QQ-P-416, Type II, Over Electroless Nickel, per MIL-C-26074
<b>Z</b>	Anodize, Hard, Green, per MIL-A-8625, Type III, Class 1, Dichromate Seal

# 45° ENVIRONMENTAL BACKSHELL WITH CABLE CLAMP

B049AF06

For **SC30, SC50 & SC70** Series (AS50151 Crimp & MIL-DTL-26482 Series 2)

## ORDERING INFORMATION



Dimensions in brackets [ ] are in millimeters.

**TABLE I - AVAILABLE FINISHES**

CODE	DESCRIPTION	MATERIAL	TEMP. RANGE	EXCLUSIONS
N	Electroless nickel - In accordance with AMS-C-26074 or AMS 2404.	Aluminum Alloy	-65 to +200 °C	Not for Navy use.
W	Cadmium - Olive drab over suitable underplate, 1000 hour salt spray.		-65 to +175 °C	Not for use in space application.
X	Nickel fluorocarbon polymer. Nickel with fluorocarbon polymer additives over a suitable underplate to withstand 1000 hours of salt spray testing. Color shall be non-reflective. Final finish shall be electrically conductive.		-65 to +175 °C	
Z	Zinc nickel in accordance with ASTM B841 over suitable underplate to withstand 1000 hours of salt spray testing. Color shall be black, conductive, and non-reflective. Final finish shall be electrically conductive.		-65 to +175 °C	
B	Black cadmium - In accordance with AMS-QQ-P-416, Type II, Class 3.	Stainless Steel	-65 to +175 °C	Not for use in space application.
S	Passivate - In accordance with AMS-QQ-P-35, AMS 2700, or ASTM A 967.		-65 to +200 °C	
XS	Nickel fluorocarbon polymer. Nickel with fluorocarbon polymer additives over a suitable underplate to withstand 1000 hours of salt spray testing. Color shall be non-reflective. Final finish shall be electrically conductive.		-65 to +175 °C	
ZS	Zinc nickel in accordance with ASTM B841 over suitable underplate to withstand 1000 hours of salt spray testing. Color shall be black, conductive, and non-reflective. Final finish shall be electrically conductive.		-65 to +175 °C	





# 45° ENVIRONMENTAL BACKSHELL WITH CABLE CLAMP

B049AF06

DASH NO.	FITS SHELL OF CONN.		CLAMP SIZE	A WIRE BUNDLE RANGE [DIA.]		STYLE	B ±.062 [±1.57]	C REF.	ØD MAX.	E ±.125 [±3.17]	F MAX	ØG MAX.	V THREAD CLASS 2A
	MIL-DTL-26482 SERIES 2	AS50151 CRIMP		MIN.	MAX.								
	1	-		-	4								
2	-	-	6	.250 [6.35]	.437 [11.10]	2	1.910 [48.51]	1.544 [39.22]	.669 [16.99]	1.375 [34.92]	4.33 [109.98]	.858 [21.79]	.750-20 UNEF
3	8	8S	4	.125 [3.17]	.250 [6.35]	1	1.182 [30.02]	1.544 [39.22]	.617 [15.67]	.500 [12.70]	2.88 [73.15]	-	.625-24 UNEF
4	10	10S, 10SL	4	.125 [3.17]	.312 [7.92]	1	1.850 [46.99]	1.544 [39.22]	.734 [18.64]	.561 [14.25]	3.41 [86.61]	-	.625-24 UNEF
5	10	10S, 10SL	6	.250 [6.35]	.375 [9.52]	1	1.245 [31.62]	1.544 [39.22]	.734 [18.64]	.561 [14.25]	3.05 [77.47]	-	.750-20 UNEF
6	12	12, 12S	4	.125 [3.17]	.312 [7.92]	1	1.910 [48.51]	1.544 [39.22]	.858 [21.79]	.625 [15.87]	3.52 [89.41]	-	.625-24 UNEF
7	12	12, 12S	6	.250 [6.35]	.437 [11.10]	1	1.910 [48.51]	1.544 [39.22]	.858 [21.79]	.625 [15.87]	3.58 [90.93]	-	.750-20 UNEF
8	12	12, 12S	10	.350 [8.89]	.500 [12.70]	1	1.910 [48.51]	1.844 [46.84]	.858 [21.79]	.625 [15.87]	3.86 [98.04]	-	1.000-20 UNEF
9	14	14, 14S	6	.250 [6.35]	.437 [11.10]	1	2.000 [50.80]	1.544 [39.22]	.984 [24.99]	.688 [17.48]	3.71 [94.23]	-	.750-20 UNEF
10	14	14, 14S	10	.350 [8.89]	.575 [14.60]	1	1.655 [42.04]	1.844 [46.84]	.984 [24.99]	.688 [17.48]	3.74 [95.00]	-	1.000-20 UNEF
11	16	16, 16S	6	.250 [6.35]	.437 [11.10]	1	2.110 [53.59]	1.916 [48.67]	1.112 [28.24]	.781 [19.84]	3.88 [98.55]	-	.750-20 UNEF
12	16	16, 16S	12	.500 [12.70]	.700 [17.78]	1	1.750 [44.45]	1.916 [48.67]	1.112 [28.24]	.781 [19.84]	4.03 [102.36]	-	1.187-18 UNEF
13	18	18	10	.350 [8.89]	.625 [15.87]	1	2.300 [58.42]	1.844 [46.84]	1.218 [30.94]	.968 [24.59]	4.48 [113.79]	-	1.000-20 UNEF
14	18	18	16	.625 [15.87]	.779 [19.79]	1	1.938 [49.23]	2.000 [50.80]	1.218 [30.94]	.968 [24.59]	4.49 [114.05]	-	1.437-18 UNEF
15	20	20	10	.350 [8.89]	.625 [15.87]	1	2.300 [58.42]	1.844 [46.84]	1.345 [34.16]	.968 [24.59]	4.48 [113.79]	-	1.000-20 UNEF
16	20	20	16	.625 [15.87]	.904 [22.96]	1	1.938 [49.23]	2.000 [50.80]	1.345 [34.16]	.968 [24.59]	4.49 [114.05]	-	1.437-18 UNEF
17	22	22	12	.500 [12.70]	.750 [19.05]	1	2.450 [62.23]	1.916 [48.67]	1.468 [37.29]	1.063 [27.00]	4.81 [122.17]	-	1.187-18 UNEF
18	22	22	20	.875 [22.22]	1.029 [26.14]	1	2.093 [53.16]	2.230 [56.64]	1.468 [37.29]	1.063 [27.00]	4.98 [126.49]	-	1.750-18 UNS
19	24	24	12	.500 [12.70]	.750 [19.05]	1	2.450 [62.23]	1.916 [48.67]	1.593 [40.46]	1.063 [27.00]	4.81 [122.17]	-	1.187-18 UNEF
20	24	24	20	.875 [22.22]	1.144 [29.06]	1	2.093 [53.16]	2.230 [56.64]	1.593 [40.46]	1.063 [27.00]	4.98 [126.49]	-	1.750-18 UNS
21	-	28	16	.625 [15.87]	.937 [23.80]	1	2.500 [63.50]	2.000 [50.80]	1.969 [50.01]	1.188 [30.18]	5.11 [129.79]	-	1.437-18 UNEF
22	-	28	24	1.000 [25.40]	1.375 [34.92]	1	2.156 [54.76]	2.024 [51.41]	1.969 [50.01]	1.188 [30.18]	5.09 [129.29]	-	2.000-18 UNS
23	-	32	16	.625 [15.87]	.937 [23.80]	1	2.600 [66.04]	2.000 [50.80]	2.219 [56.36]	1.250 [31.75]	5.24 [133.10]	-	1.437-18 UNEF
24	-	32	20	.875 [22.22]	1.250 [31.75]	1	2.600 [66.04]	2.230 [56.64]	2.219 [56.36]	1.250 [31.75]	5.52 [140.21]	-	1.750-18 UNS
25	-	32	28	1.250 [31.75]	1.625 [41.27]	1	2.250 [57.15]	2.550 [64.77]	2.219 [56.36]	1.250 [31.75]	5.73 [145.54]	-	2.250-16 UN
26	-	36	16	.625 [15.87]	.937 [23.80]	1	2.690 [68.33]	2.000 [50.80]	2.469 [62.71]	1.281 [32.54]	5.33 [135.38]	-	1.437-18 UNEF
27	-	36	24	1.000 [25.40]	1.375 [34.92]	1	2.690 [68.33]	2.024 [51.41]	2.469 [62.71]	1.281 [32.54]	5.56 [141.22]	-	2.000-18 UNS
28	-	36	32	1.437 [36.50]	1.840 [46.74]	1	2.344 [59.54]	2.600 [66.04]	2.469 [62.71]	1.281 [32.54]	5.95 [151.13]	-	2.500-16 UN
29	-	40	16	.625 [15.87]	.937 [23.80]	1	2.690 [68.33]	2.000 [50.80]	2.719 [69.06]	2.031 [51.59]	6.08 [154.43]	-	1.437-18 UNEF
30	-	40	24	1.000 [25.40]	1.375 [34.92]	1	2.690 [68.33]	2.024 [51.41]	2.719 [69.06]	2.031 [51.59]	6.31 [160.27]	-	2.000-18 UNS

Dimensions in brackets [ ] are in millimeters.

Continued on Next Page

# 45° ENVIRONMENTAL BACKSHELL WITH CABLE CLAMP

B049AF06

Continued from Previous Page

DASH NO.	FITS SHELL OF CONN.		CLAMP SIZE	A WIRE BUNDLE RANGE [DIA.]		STYLE	B ±.062 [±1.57]	C REF.	ØD MAX.	E ±.125 [±3.17]	F MAX	ØG MAX.	V THREAD CLASS 2A
	MIL-DTL-26482 SERIES 2	AS50151 CRIMP		MIN.	MAX.								
	31	-		40	32								
32	-	44	16	.625 [15.87]	.937 [23.80]	1	2.690 [68.33]	2.000 [50.80]	2.969 [75.41]	2.031 [51.59]	6.08 [154.43]	-	1.437-18 UNEF
33	-	44	24	1.000 [25.40]	1.375 [34.92]	1	2.690 [68.33]	2.024 [51.41]	2.969 [75.41]	2.031 [51.59]	6.31 [160.27]	-	2.000-18 UNS
34	-	44	32	1.437 [36.50]	1.875 [47.62]	1	2.344 [59.54]	2.600 [66.04]	2.969 [75.41]	2.031 [51.59]	6.70 [170.18]	-	2.500-16 UN
35	-	48	16	.625 [15.87]	.937 [23.80]	1	2.690 [68.33]	2.000 [50.80]	3.219 [81.76]	2.031 [51.59]	6.08 [154.43]	-	1.437-18 UNEF
36	-	48	24	1.000 [25.40]	1.375 [34.92]	1	2.690 [68.33]	2.024 [51.41]	3.219 [81.76]	2.031 [51.59]	6.31 [160.27]	-	2.000-18 UNS
37	-	48	32	1.437 [36.50]	1.875 [47.62]	1	2.344 [59.54]	2.600 [66.04]	3.219 [81.76]	2.031 [51.59]	6.70 [170.18]	-	2.500-16 UN
38	-	-	12	.500 [12.70]	.750 [19.05]	1	2.450 [62.23]	1.916 [48.67]	1.653 [41.99]	1.063 [27.00]	4.81 [122.17]	-	1.1875-18 UNS
39	-	-	20	.875 [22.22]	1.184 [30.07]	1	2.093 [53.16]	2.230 [56.64]	1.653 [41.99]	1.063 [27.00]	4.98 [126.49]	-	1.750-18 UNS
40	16	16,16S	10	.350 [8.89]	.625 [15.87]	1	2.110 [53.59]	1.844 [46.84]	1.112 [28.24]	.781 [19.84]	4.16 [105.66]	-	1.000-20 UNEF
41	18	18	4	.125 [3.17]	.312 [7.92]	1	2.300 [58.42]	1.544 [39.22]	1.218 [30.94]	.968 [24.59]	4.13 [104.90]	-	.625-24 UNEF
42	18	18	6	.250 [6.35]	.437 [11.10]	1	2.300 [58.42]	1.544 [39.22]	1.218 [30.94]	.968 [24.59]	4.20 [106.68]	-	.750-20 UNEF
43	20	20	6	.250 [6.35]	.437 [11.10]	1	2.300 [58.42]	1.544 [39.22]	1.345 [34.16]	.968 [24.59]	4.20 [106.68]	-	.750-20 UNEF
44	22	22	4	.125 [3.17]	.312 [7.92]	1	2.450 [62.23]	1.544 [39.22]	1.468 [37.29]	1.063 [27.00]	4.34 [110.24]	-	.625-24 UNEF
45	22	22	6	.250 [6.35]	.437 [11.10]	1	2.450 [62.23]	1.544 [39.22]	1.468 [37.29]	1.063 [27.00]	4.40 [111.76]	-	.750-20 UNEF
46	24	24	10	.350 [8.89]	.625 [15.87]	1	2.450 [62.23]	1.844 [46.84]	1.593 [40.46]	1.063 [27.00]	4.68 [118.87]	-	1.000-20 UNEF
47	-	36	12	.500 [12.70]	.750 [19.05]	1	2.690 [68.33]	1.916 [48.67]	2.469 [62.71]	1.281 [32.54]	5.20 [132.08]	-	1.187-18 UNEF
48	-	40	12	.500 [12.70]	.750 [19.05]	1	2.690 [68.33]	1.916 [48.67]	2.719 [69.06]	2.031 [51.59]	5.95 [151.13]	-	1.187-18 UNEF
49	10	10S,10SL	6	.250 [6.35]	.437 [11.10]	2	1.910 [48.51]	1.544 [39.22]	.734 [18.64]	1.375 [34.92]	4.33 [109.98]	.858 [21.79]	.750-20 UNEF
50	14	14,14S	12	.500 [12.70]	.750 [19.05]	2	2.300 [58.42]	1.916 [48.67]	.984 [24.99]	1.717 [43.61]	5.36 [136.14]	1.218 [30.94]	1.187-18 UNEF
51	16	16,16S	16	.625 [15.87]	.937 [23.80]	2	2.450 [62.23]	2.000 [50.80]	1.112 [28.24]	1.812 [46.02]	5.70 [144.78]	1.468 [37.29]	1.437-18 UNEF
52	18	18	12	.500 [12.70]	.750 [19.05]	1	2.300 [58.42]	1.916 [48.67]	1.218 [30.94]	.968 [24.59]	4.61 [117.09]	-	1.187-18 UNEF
53	-	-	16	.625 [15.87]	.937 [23.80]	1	2.450 [62.23]	2.000 [50.80]	1.653 [41.99]	1.063 [27.00]	4.95 [125.73]	-	1.4375-18 UNEF
54	20	20	12	.500 [12.70]	.750 [19.05]	1	2.300 [58.42]	1.916 [48.67]	1.345 [34.16]	.968 [24.59]	4.61 [117.09]	-	1.187-18 UNEF
55	20	20	20	.875 [22.22]	1.250 [31.75]	2	2.500 [63.50]	2.230 [56.64]	1.345 [34.16]	1.936 [49.17]	6.14 [155.96]	1.969 [50.01]	1.750-18 UNS
56	22	22	10	.350 [8.89]	.625 [15.87]	1	2.450 [62.23]	1.844 [46.84]	1.468 [37.29]	1.063 [27.00]	4.68 [118.87]	-	1.000-20 UNEF
57	22	22	16	.625 [15.87]	.937 [23.80]	1	2.450 [62.23]	2.000 [50.80]	1.468 [37.29]	1.063 [27.00]	4.95 [125.73]	-	1.437-18 UNEF
58	22	22	20	.875 [22.22]	1.250 [31.75]	2	2.500 [63.50]	2.230 [56.64]	1.468 [37.29]	1.936 [49.17]	6.14 [155.96]	1.969 [50.01]	1.750-18 UNS
59	24	24	16	.625 [15.87]	.937 [23.80]	1	2.450 [62.23]	2.000 [50.80]	2.093 [53.16]	1.063 [27.00]	4.95 [125.73]	-	1.437-18 UNEF
60	-	28	12	.500 [12.70]	.750 [19.05]	1	2.500 [63.50]	1.916 [48.67]	1.969 [50.01]	1.188 [30.18]	4.97 [126.24]	-	1.187-18 UNEF

Dimensions in brackets [ ] are in millimeters.

Continued on Next Page



# 45° ENVIRONMENTAL BACKSHELL WITH CABLE CLAMP

B049AF06

Continued from Previous Page

DASH NO.	FITS SHELL OF CONN.		CLAMP SIZE	A WIRE BUNDLE RANGE [DIA.]		STYLE	B ±.062 [±1.57]	C REF.	ØD MAX.	E ±.125 [±3.17]	F MAX	ØG MAX.	V THREAD CLASS 2A
	MIL-DTL-26482 SERIES 2	AS50151 CRIMP		MIN.	MAX.								
	61	-		28	20								
62	-	32	24	1.000 [25.40]	1.375 [34.92]	1	2.600 [66.04]	2.024 [51.41]	2.219 [56.36]	1.250 [31.75]	5.47 [138.94]	-	2.000-18 UNS
63	-	36	20	.875 [22.22]	1.250 [31.75]	1	2.690 [68.33]	2.230 [56.64]	2.469 [62.71]	1.281 [32.54]	5.62 [142.75]	-	1.750-18 UNS
64	-	36	28	1.250 [31.75]	1.625 [41.27]	1	2.690 [68.33]	2.550 [64.77]	2.469 [62.71]	1.281 [32.54]	6.08 [154.43]	-	2.250-16 UN
65	-	40	20	.875 [22.22]	1.250 [31.75]	1	2.690 [68.33]	2.230 [56.64]	2.719 [69.06]	2.031 [51.59]	6.37 [161.80]	-	1.750-18 UNS
66	-	40	28	1.250 [31.75]	1.625 [41.27]	1	2.690 [68.33]	2.550 [64.77]	2.719 [69.06]	2.031 [51.59]	6.83 [173.48]	-	2.250-16 UN
67	-	44	20	.875 [22.22]	1.250 [31.75]	1	2.690 [68.33]	2.230 [56.64]	2.969 [75.41]	2.031 [51.59]	6.37 [161.80]	-	1.750-18 UNS
68	-	44	28	1.250 [31.75]	1.625 [41.27]	1	2.690 [68.33]	2.550 [64.77]	2.969 [75.41]	2.031 [51.59]	6.83 [173.48]	-	2.250-16 UN
69	-	48	20	.875 [22.22]	1.250 [31.75]	1	2.690 [68.33]	2.230 [56.64]	3.219 [81.76]	2.031 [51.59]	6.37 [161.80]	-	1.750-18 UNS
70	-	48	28	1.250 [31.75]	1.625 [41.27]	1	2.690 [68.33]	2.550 [64.77]	3.219 [81.76]	2.031 [51.59]	6.83 [173.48]	-	2.250-16 UN
71	12	12,12S	10	.350 [8.89]	.625 [15.87]	2	2.110 [53.59]	1.844 [46.84]	.858 [21.79]	1.529 [38.84]	4.90 [124.46]	1.112 [28.24]	1.000-20 UNEF
72	18	18	16	.625 [15.87]	.937 [23.80]	2	2.450 [62.23]	2.000 [50.80]	1.218 [30.94]	1.812 [46.02]	5.69 [144.53]	1.468 [37.29]	1.437-18 UNEF
73	24	24	20	.875 [22.22]	1.250 [31.75]	2	2.500 [63.50]	2.230 [56.64]	1.468 [37.29]	1.936 [49.17]	6.13 [155.70]	1.969 [50.01]	1.750-18 UNS
74	14	14,14S	4	.125 [3.17]	.312 [7.92]	1	2.000 [50.80]	1.544 [39.22]	.984 [24.99]	.688 [17.48]	3.64 [92.46]	-	.625-24 UNEF
75	16	16,16S	4	.125 [3.17]	.312 [7.92]	1	2.110 [53.59]	1.544 [39.22]	1.112 [28.24]	.781 [19.84]	3.81 [96.77]	-	.625-24 UNEF

Dimensions in brackets [ ] are in millimeters.

3D

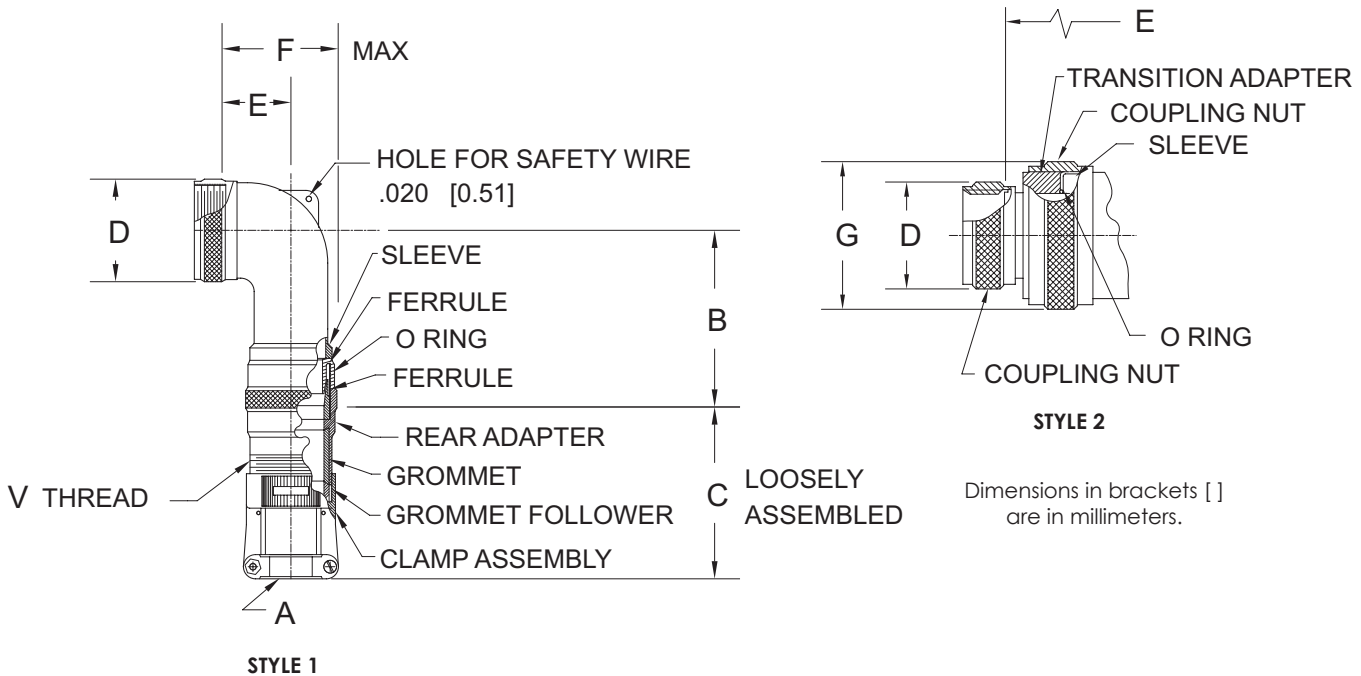
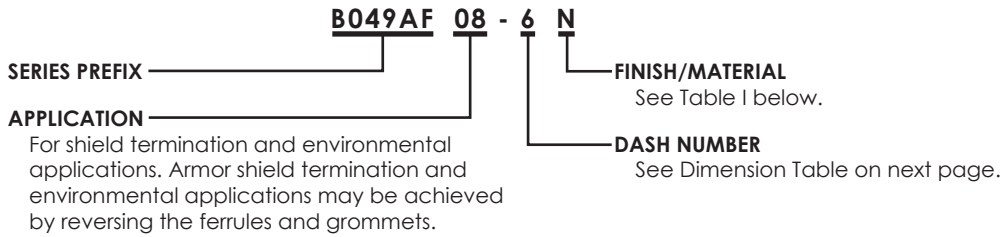


# 90° ENVIRONMENTAL BACKSHELL WITH CABLE CLAMP

B049AF08

For **SC30**, **SC50** & **SC70** Series (AS50151 Crimp & MIL-DTL-26482 Series 2)

## ORDERING INFORMATION



**TABLE I - AVAILABLE FINISHES**

CODE	DESCRIPTION	MATERIAL	TEMP. RANGE	EXCLUSIONS
N	Electroless nickel - In accordance with AMS-C-26074 or AMS 2404.	Aluminum Alloy	-65 to +200 °C	Not for Navy use.
W	Cadmium - Olive drab over suitable underplate, 1000 hour salt spray.	Aluminum Alloy	-65 to +175 °C	Not for use in space application.
B	Black cadmium - In accordance with AMS-QQ-P-416, Type II, Class 3.	Stainless Steel	-65 to +175 °C	Not for use in space application.
S	Passivate - In accordance with AMS-QQ-P-35, AMS 2700, or ASTM A 967.	Stainless Steel	-65 to +200 °C	



# 90° ENVIRONMENTAL BACKSHELL WITH CABLE CLAMP

B049AF08

DASH NO.	FITS SHELL OF CONN.		CLAMP SIZE	A WIRE BUNDLE RANGE [DIA.]		STYLE	B ±.062 [±1.57]	C REF.	ØD MAX.	E ±.125 [±3.17]	F MAX	ØG MAX.	V THREAD CLASS 2A
	MIL-DTL-26482 SERIES 2	AS50151 CRIMP		MIN.	MAX.								
3	8	8S	4	.125 [3.17]	.250 [6.35]	1	1.200 [30.48]	1.544 [39.22]	.617 [15.67]	.541 [13.74]	1.09 [27.69]	-	.625-24 UNEF
4	10	10S, 10SL	4	.125 [3.17]	.312 [7.92]	1	1.920 [48.77]	1.544 [39.22]	.734 [18.64]	.636 [16.15]	1.18 [29.97]	-	.625-24 UNEF
5	10	10S, 10SL	6	.250 [6.35]	.375 [9.52]	1	1.320 [33.53]	1.544 [39.22]	.734 [18.64]	.636 [16.15]	1.27 [32.26]	-	.750-20 UNEF
6	12	12, 12S	4	.125 [3.17]	.312 [7.92]	1	1.940 [49.28]	1.544 [39.22]	.858 [21.79]	.641 [16.28]	1.18 [29.97]	-	.625-24 UNEF
7	12	12, 12S	6	.250 [6.35]	.437 [11.10]	1	1.940 [49.28]	1.544 [39.22]	.858 [21.79]	.641 [16.28]	1.28 [32.51]	-	.750-20 UNEF
8	12	12, 12S	10	.350 [8.89]	.500 [12.70]	1	1.335 [33.91]	1.844 [46.84]	.858 [21.79]	.641 [16.28]	1.37 [34.80]	-	1.000-20 UNEF
9	14	14, 14S	6	.250 [6.35]	.437 [11.10]	1	2.010 [51.05]	1.544 [39.22]	.984 [24.99]	.741 [18.82]	1.38 [35.05]	-	.750-20 UNEF
10	14	14, 14S	10	.350 [8.89]	.575 [14.60]	1	1.655 [42.04]	1.844 [46.84]	.984 [24.99]	.741 [18.82]	1.47 [37.34]	-	1.000-20 UNEF
11	16	16, 16S	6	.250 [6.35]	.437 [11.10]	1	2.100 [53.34]	1.544 [39.22]	1.112 [28.24]	.926 [23.52]	1.59 [40.39]	-	.750-20 UNEF
12	16	16, 16S	12	.500 [12.70]	.700 [17.78]	1	1.745 [44.32]	1.916 [48.67]	1.112 [28.24]	.926 [23.52]	1.77 [44.96]	-	1.187-18 UNEF
13	18	18	10	.350 [8.89]	.625 [15.87]	1	2.270 [57.66]	1.844 [46.84]	1.218 [30.94]	1.016 [25.81]	1.80 [45.72]	-	1.000-20 UNEF
14	18	18	16	.625 [15.87]	.779 [19.79]	1	1.920 [48.77]	2.000 [50.80]	1.218 [30.94]	1.016 [25.81]	1.97 [50.04]	-	1.437-18 UNEF
15	20	20	10	.350 [8.89]	.625 [15.87]	1	2.270 [57.66]	1.844 [46.84]	1.345 [34.16]	1.016 [25.81]	1.80 [45.72]	-	1.000-20 UNEF
16	20	20	16	.625 [15.87]	.904 [22.96]	1	1.920 [48.77]	2.00 [50.80]	1.345 [34.16]	1.016 [25.81]	1.97 [50.04]	-	1.437-18 UNEF
17	22	22	12	.500 [12.70]	.750 [19.05]	1	2.380 [60.45]	1.916 [48.67]	1.468 [37.29]	1.166 [29.62]	2.11 [53.59]	-	1.187-18 UNEF
18	22	22	20	.875 [22.22]	1.029 [26.14]	1	2.025 [51.43]	2.230 [56.64]	1.468 [37.29]	1.166 [29.62]	2.29 [58.17]	-	1.750-18 UNS
19	24	24	12	.500 [12.70]	.750 [19.05]	1	2.380 [60.45]	1.916 [48.67]	1.593 [40.46]	1.166 [29.62]	2.11 [53.59]	-	1.187-18 UNEF
20	24	24	20	.875 [22.22]	1.144 [29.06]	1	2.025 [51.43]	2.230 [56.64]	1.593 [40.46]	1.166 [29.62]	2.29 [58.17]	-	1.750-18 UNS
21	-	28	16	.625 [15.87]	.937 [23.80]	1	2.550 [64.77]	2.000 [50.80]	1.969 [50.01]	1.266 [32.16]	2.33 [59.18]	-	1.437-18 UNEF
22	-	28	24	1.000 [25.40]	1.375 [34.92]	1	2.195 [55.75]	2.024 [51.41]	1.969 [50.01]	1.266 [32.16]	2.51 [63.75]	-	2.000-18 UNS
23	-	32	16	.625 [15.87]	.937 [23.80]	1	2.800 [71.12]	2.000 [50.80]	2.219 [56.36]	1.616 [41.05]	2.81 [71.37]	-	1.437-18 UNEF
24	-	32	20	.875 [22.22]	1.250 [31.75]	1	2.800 [71.12]	2.230 [56.64]	2.219 [56.36]	1.616 [41.05]	2.81 [71.37]	-	1.750-18 UNS
25	-	32	28	1.250 [31.75]	1.625 [41.27]	1	2.445 [62.10]	2.550 [64.77]	2.219 [56.36]	1.616 [41.05]	3.07 [77.98]	-	2.250-16 UN
26	-	36	16	.625 [15.87]	.937 [23.80]	1	2.770 [70.36]	2.000 [50.80]	2.469 [62.71]	1.816 [46.13]	3.13 [79.50]	-	1.437-18 UNEF
27	-	36	24	1.000 [25.40]	1.375 [34.92]	1	2.770 [70.36]	2.024 [51.41]	2.469 [62.71]	1.816 [46.13]	3.13 [79.50]	-	2.000-18 UNS
28	-	36	32	1.437 [36.50]	1.840 [46.74]	1	2.415 [61.34]	2.600 [66.04]	2.469 [62.71]	1.816 [46.13]	3.39 [86.11]	-	2.500-16 UN
29	-	40	16	.625 [15.87]	.937 [23.80]	1	2.770 [70.36]	2.000 [50.80]	2.719 [69.06]	2.566 [65.18]	3.88 [98.55]	-	1.437-18 UNEF
30	-	40	24	1.000 [25.40]	1.375 [34.92]	1	2.770 [70.36]	2.024 [51.41]	2.719 [69.06]	2.566 [65.18]	3.88 [98.55]	-	2.000-18 UNS

Dimensions in brackets [ ] are in millimeters.

Continued on Next Page



# 90° ENVIRONMENTAL BACKSHELL WITH CABLE CLAMP

B049AF08

Continued from Previous Page

DASH NO.	FITS SHELL OF CONN.		CLAMP SIZE	A WIRE BUNDLE RANGE [DIA.]		STYLE	B ±.062 [±1.57]	C REF.	ØD MAX.	E ±.125 [±3.17]	F MAX	ØG MAX.	V THREAD CLASS 2A
	MIL-DTL-26482 SERIES 2	AS50151 CRIMP		MIN.	MAX.								
31	-	40	32	1.437 [36.50]	1.875 [47.62]	1	2.415 [61.34]	2.600 [66.04]	2.719 [69.06]	2.566 [65.18]	4.14 [105.16]	-	2.500-16 UN
32	-	44	16	.625 [15.87]	.937 [23.80]	1	2.770 [70.36]	2.000 [50.80]	2.969 [75.41]	2.566 [65.18]	3.88 [98.55]	-	1.437-18 UNEF
33	-	44	24	1.000 [25.40]	1.375 [34.92]	1	2.770 [70.36]	2.024 [51.41]	2.969 [75.41]	2.566 [65.18]	3.88 [98.55]	-	2.000-18 UNS
34	-	44	32	1.437 [36.50]	1.875 [47.62]	1	2.415 [61.34]	2.600 [66.04]	2.969 [75.41]	2.566 [65.18]	4.14 [105.16]	-	2.500-16 UN
35	-	48	16	.625 [15.87]	.937 [23.80]	1	2.770 [70.36]	2.000 [50.80]	3.219 [81.76]	2.566 [65.18]	3.88 [98.55]	-	1.437-18 UNEF
36	-	48	24	1.000 [25.40]	1.375 [34.92]	1	2.770 [70.36]	2.024 [51.41]	3.219 [81.76]	2.566 [65.18]	3.88 [98.55]	-	2.000-18 UNS
37	-	48	32	1.437 [36.50]	1.875 [47.62]	1	2.415 [61.34]	2.600 [66.04]	3.219 [81.76]	2.566 [65.18]	4.14 [105.16]	-	2.500-16 UN
40	16	16, 16S	10	.350 [8.89]	.625 [15.87]	1	2.100 [53.34]	1.844 [46.84]	1.112 [28.24]	.926 [23.52]	1.66 [42.16]	-	1.000-20 UNEF
41	18	18	4	.125 [3.17]	.312 [7.92]	1	2.270 [57.66]	1.544 [39.22]	1.218 [30.94]	1.016 [25.81]	1.80 [45.72]	-	.625-24 UNEF
42	18	18	6	.250 [6.35]	.437 [11.10]	1	2.270 [57.66]	1.544 [39.22]	1.218 [30.94]	1.016 [25.81]	1.80 [45.72]	-	.750-20 UNEF
43	20	20	6	.250 [6.35]	.437 [11.10]	1	2.270 [57.66]	1.544 [39.22]	1.345 [34.16]	1.016 [25.81]	1.80 [45.72]	-	.750-20 UNEF
44	22	22	4	.125 [3.17]	.312 [7.92]	1	2.380 [60.45]	1.544 [39.22]	1.468 [37.29]	1.166 [29.62]	2.11 [53.59]	-	.625-24 UNEF
45	22	22	6	.250 [6.35]	.437 [11.10]	1	2.380 [60.45]	1.544 [39.22]	1.468 [37.29]	1.166 [29.62]	2.11 [53.59]	-	.750-20 UNEF
46	24	24	10	.350 [8.89]	.625 [15.87]	1	2.380 [60.45]	1.844 [46.84]	1.593 [40.46]	1.166 [29.62]	2.11 [53.59]	-	1.000-20 UNEF
47	-	36	12	.500 [12.70]	.750 [19.05]	1	2.770 [70.36]	1.916 [48.67]	2.469 [62.71]	1.816 [46.13]	3.13 [79.50]	-	1.187-18 UNEF
48	-	40	12	.500 [12.70]	.750 [19.05]	1	2.770 [70.36]	1.916 [48.67]	2.719 [69.06]	1.816 [46.13]	3.88 [98.55]	-	1.187-18 UNEF
49	10	10S, 10SL	6	.250 [6.35]	.437 [11.10]	2	1.940 [49.28]	1.544 [39.22]	.734 [18.64]	1.391 [35.33]	2.03 [51.56]	.858 [21.79]	.750-20 UNEF
50	14	14, 14S	12	.500 [12.70]	.750 [19.05]	2	2.270 [57.66]	1.916 [48.67]	.984 [24.99]	1.766 [44.86]	2.61 [66.29]	1.218 [30.94]	1.187-18 UNEF
51	16	16, 16S	16	.625 [15.87]	.937 [23.80]	2	2.380 [60.45]	2.000 [50.80]	1.112 [28.24]	1.916 [48.67]	2.87 [72.90]	1.468 [37.29]	1.437-18 UNEF
52	18	18	12	.500 [12.70]	.750 [19.05]	1	2.270 [57.66]	1.916 [48.67]	1.218 [30.94]	1.016 [25.81]	1.86 [47.24]	-	1.188-18 UNEF
54	20	20	12	.500 [12.70]	.750 [19.05]	1	2.270 [57.66]	1.916 [48.67]	1.345 [34.16]	1.016 [25.81]	1.86 [47.24]	-	1.188-18 UNEF
55	20	20	20	.875 [22.22]	1.250 [31.75]	2	2.550 [64.77]	2.230 [56.64]	1.345 [34.16]	2.016 [51.21]	3.14 [79.76]	1.969 [50.01]	1.750-18 UNS
56	22	22	10	.350 [8.89]	.625 [15.87]	1	2.380 [60.45]	1.844 [46.84]	1.468 [37.29]	1.166 [29.62]	2.11 [53.59]	-	1.000-20 UNEF
57	22	22	16	.625 [15.87]	.937 [23.80]	1	2.380 [60.45]	2.000 [50.80]	1.468 [37.29]	1.166 [29.62]	2.12 [53.85]	-	1.437-18 UNEF
58	22	22	20	.875 [22.22]	1.250 [31.75]	2	2.550 [64.77]	2.230 [56.64]	1.468 [37.29]	2.016 [51.21]	3.14 [79.76]	1.969 [50.01]	1.750-18 UNS
59	24	24	16	.625 [15.87]	.937 [23.80]	1	2.380 [60.45]	2.000 [50.80]	2.093 [53.16]	1.166 [29.62]	2.14 [54.36]	-	1.437-18 UNEF
60	-	28	12	.500 [12.70]	.750 [19.05]	1	2.550 [64.77]	1.916 [48.67]	1.969 [50.01]	1.266 [32.16]	2.33 [59.18]	-	1.188-18 UNEF

Dimensions in brackets [ ] are in millimeters.

Continued on Next Page



# 90° ENVIRONMENTAL BACKSHELL WITH CABLE CLAMP

B049AF08

Continued from Previous Page

DASH NO.	FITS SHELL OF CONN.		CLAMP SIZE	A WIRE BUNDLE RANGE [DIA.]		STYLE	B ±.062 [±1.57]	C REF.	ØD MAX.	E ±.125 [±3.17]	F MAX	ØG MAX.	V THREAD CLASS 2A
	MIL-DTL-26482 SERIES 2	AS50151 CRIMP		MIN.	MAX.								
61	-	28	20	.875 [22.22]	1.250 [31.75]	1	2.550 [64.77]	2.230 [56.64]	1.969 [50.01]	1.266 [32.16]	2.39 [60.71]	-	1.750-18 UNS
62	-	32	24	1.000 [25.40]	1.375 [34.92]	1	2.800 [71.12]	2.024 [51.41]	2.219 [56.36]	1.616 [41.05]	2.86 [72.64]	-	2.000-18 UNS
63	-	36	20	.875 [22.22]	1.250 [31.75]	1	2.770 [70.36]	2.230 [56.64]	2.469 [62.71]	1.816 [46.13]	3.13 [79.50]	-	1.750-18 UNS
64	-	36	28	1.250 [31.75]	1.625 [41.27]	1	2.770 [70.36]	2.550 [64.77]	2.469 [62.71]	1.816 [46.13]	3.27 [83.06]	-	2.250-16 UN
65	-	40	20	.875 [22.22]	1.250 [31.75]	1	2.770 [70.36]	2.230 [56.64]	2.719 [69.06]	2.566 [65.18]	3.88 [98.55]	-	1.750-18 UNS
66	-	40	28	1.250 [31.75]	1.625 [41.27]	1	2.770 [70.36]	2.550 [64.77]	2.719 [69.06]	2.566 [65.18]	4.02 [102.11]	-	2.250-16 UN
67	-	44	20	.875 [22.22]	1.250 [31.75]	1	2.770 [70.36]	2.230 [56.64]	2.969 [75.41]	2.566 [65.18]	3.88 [98.55]	-	1.750-18 UNS
68	-	44	28	1.250 [31.75]	1.625 [41.27]	1	2.770 [70.36]	2.550 [64.77]	2.969 [75.41]	2.566 [65.18]	4.02 [102.11]	-	2.250-16 UN
69	-	48	20	.875 [22.22]	1.250 [31.75]	1	2.770 [70.36]	2.230 [56.64]	3.219 [81.76]	2.566 [65.18]	3.88 [98.55]	-	1.750-18 UNS
70	-	48	28	1.250 [31.75]	1.625 [41.27]	1	2.770 [70.36]	2.550 [64.77]	3.219 [81.76]	2.566 [65.18]	4.02 [102.11]	-	2.250-16 UN
71	12	12, 12S	10	.350 [8.89]	.625 [15.87]	2	2.100 [53.34]	1.844 [46.84]	.858 [21.79]	1.686 [42.82]	2.42 [61.47]	1.112 [28.24]	1.000-20 UNEF
72	18	18	16	.625 [15.87]	.937 [23.80]	2	2.380 [60.45]	2.000 [50.80]	1.218 [30.94]	1.926 [48.92]	2.88 [73.15]	1.468 [37.29]	1.437-18 UNEF
73	24	24	20	.875 [22.22]	1.250 [31.75]	2	2.550 [64.77]	2.230 [56.64]	1.468 [37.29]	2.026 [51.46]	3.15 [80.01]	1.969 [50.01]	1.750-18 UNS
74	14	14, 14S	4	.125 [3.17]	.312 [7.92]	1	2.010 [51.05]	1.544 [39.22]	.984 [24.99]	.741 [18.82]	1.31 [33.27]	-	.625-24 UNEF
75	16	16, 16S	4	.125 [3.17]	.312 [7.92]	1	2.100 [53.34]	1.544 [39.22]	1.112 [28.24]	.926 [23.52]	1.59 [40.39]	-	.625-24 UNEF

Dimensions in brackets [ ] are in millimeters.

3D

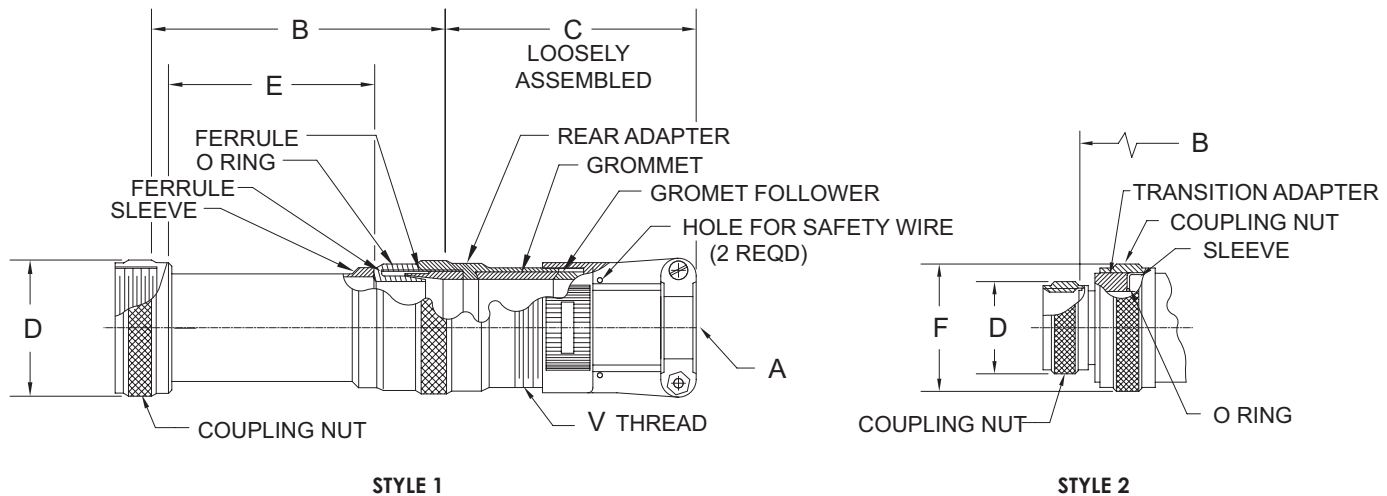
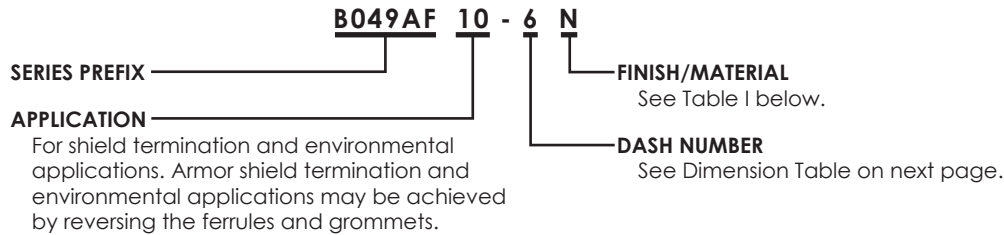


# STRAIGHT ENVIRONMENTAL BACKSHELL WITH CABLE CLAMP

## B049AF10

For **SC30**, **SC50** & **SC70** Series (AS50151 Crimp & MIL-DTL-26482 Series 2)

### ORDERING INFORMATION



**TABLE I - AVAILABLE FINISHES**

CODE	DESCRIPTION	MATERIAL	TEMP. RANGE	EXCLUSIONS
<b>N</b>	Electroless nickel - In accordance with AMS-C-26074 or AMS 2404.	Aluminum Alloy	-65 to +200 °C	Not for Navy use.
<b>W</b>	Cadmium - Olive drab over suitable underplate, 1000 hour salt spray.		-65 to +175 °C	Not for use in space application.
<b>X</b>	Nickel fluorocarbon polymer. Nickel with fluorocarbon polymer additives over a suitable underplate to withstand 1000 hours of salt spray testing. Color shall be non-reflective. Final finish shall be electrically conductive.		-65 to +175 °C	
<b>Z</b>	Zinc nickel in accordance with ASTM B841 over suitable underplate to withstand 1000 hours of salt spray testing. Color shall be black, conductive, and non-reflective. Final finish shall be electrically conductive.		-65 to +175 °C	
<b>B</b>	Black cadmium - In accordance with AMS-QQ-P-416, Type II, Class 3.	Stainless Steel	-65 to +175 °C	Not for use in space application.
<b>S</b>	Passivate - In accordance with AMS-QQ-P-35, AMS 2700, or ASTM A 967.		-65 to +200 °C	
<b>XS</b>	Nickel fluorocarbon polymer. Nickel with fluorocarbon polymer additives over a suitable underplate to withstand 1000 hours of salt spray testing. Color shall be non-reflective. Final finish shall be electrically conductive.		-65 to +175 °C	
<b>ZS</b>	Zinc nickel in accordance with ASTM B841 over suitable underplate to withstand 1000 hours of salt spray testing. Color shall be black, conductive, and non-reflective. Final finish shall be electrically conductive.		-65 to +175 °C	



# STRAIGHT ENVIRONMENTAL BACKSHELL WITH CABLE CLAMP

B049AF10

DASH NO.	FITS SHELL OF CONN.		CLAMP SIZE	A WIRE BUNDLE RANGE [DIA.]		STYLE	B ±.125 [±3.17]	C REF.	ØD MAX.	E REF.	F MAX	V THREAD CLASS 2A
	MIL-DTL-26482 SERIES 2	AS50151 CRIMP		MIN.	MAX.							
	1	-		-	4							
2	-	-	4	.125 [3.17]	.250 [6.35]	1	3.00 [76.20]	1.544 [39.22]	.669 [16.99]	2.06 [52.32]	-	.625-24 UNEF
3	-	-	6	.250 [6.35]	.437 [11.10]	2	2.75 [69.85]	1.544 [39.22]	.669 [16.99]	1.81 [45.97]	.858 [21.79]	.750-20 UNEF
4	-	-	6	.250 [6.35]	.437 [11.10]	2	3.75 [95.25]	1.544 [39.22]	.669 [16.99]	2.81 [71.37]	.858 [21.79]	.750-20 UNEF
5	8	8S	4	.125 [3.17]	.250 [6.35]	1	2.00 [50.80]	1.544 [39.22]	.617 [15.67]	1.06 [26.92]	-	.625-24 UNEF
6	8	8S	4	.125 [3.17]	.250 [6.35]	1	3.00 [76.20]	1.544 [39.22]	.617 [15.67]	2.06 [52.32]	-	.625-24 UNEF
7	8	8S	6	.250 [6.35]	.437 [11.10]	2	2.75 [69.85]	1.544 [39.22]	.617 [15.67]	1.81 [45.97]	.858 [21.79]	.750-20 UNEF
8	8	8S	6	.250 [6.35]	.437 [11.10]	2	3.75 [95.25]	1.544 [39.22]	.617 [15.67]	2.81 [71.37]	.858 [21.79]	.750-20 UNEF
9	10	10S, 10SL	4	.125 [3.17]	.312 [7.92]	1	2.00 [50.80]	1.544 [39.22]	.734 [18.64]	1.06 [26.92]	-	.625-24 UNEF
10	10	10S, 10SL	4	.125 [3.17]	.312 [7.92]	1	3.00 [76.20]	1.544 [39.22]	.734 [18.64]	2.06 [52.32]	-	.625-24 UNEF
11	10	10S, 10SL	6	.250 [6.35]	.437 [11.10]	2	2.75 [69.85]	1.544 [39.22]	.734 [18.64]	1.81 [45.97]	.858 [21.79]	.750-20 UNEF
12	10	10, 10SL	6	.250 [6.35]	.437 [11.10]	2	3.75 [95.25]	1.544 [39.22]	.734 [18.64]	2.81 [71.37]	.858 [21.79]	.750-20 UNEF
13	12	12, 12S	6	.250 [6.35]	.437 [11.10]	1	2.00 [50.80]	1.544 [39.22]	.858 [21.79]	1.06 [26.92]	-	.750-20 UNEF
14	12	12, 12S	6	.250 [6.35]	.437 [11.10]	1	3.00 [76.20]	1.544 [39.22]	.858 [21.79]	2.06 [52.32]	-	.750-20 UNEF
15	12	12, 12S	10	.350 [8.89]	.625 [15.87]	2	2.75 [69.85]	1.844 [46.84]	.858 [21.79]	1.67 [42.42]	1.112 [28.24]	1.000-20 UNEF
16	12	12, 12S	10	.350 [8.89]	.625 [15.87]	2	3.75 [95.25]	1.844 [46.84]	.858 [21.79]	2.67 [67.82]	1.112 [28.24]	1.000-20 UNEF
17	14	14, 14S	10	.350 [8.89]	.575 [14.60]	1	2.00 [50.80]	1.844 [46.84]	.984 [24.99]	.92 [23.37]	-	1.000-20 UNEF
18	14	14, 14S	10	.350 [8.89]	.575 [14.60]	1	3.00 [76.20]	1.844 [46.84]	.984 [24.99]	1.92 [48.77]	-	1.000-20 UNEF
19	14	14, 14S	12	.500 [12.70]	.750 [19.05]	2	2.75 [69.85]	1.916 [48.67]	.984 [24.99]	1.67 [42.42]	1.112 [28.24]	1.187-18 UNEF
20	14	14, 14S	12	.500 [12.70]	.750 [19.05]	2	3.75 [95.25]	1.916 [48.67]	.984 [24.99]	2.67 [67.82]	1.112 [28.24]	1.187-18 UNEF
21	16	16, 16S	12	.500 [12.70]	.700 [17.78]	1	2.00 [50.80]	1.916 [48.67]	1.112 [28.24]	.92 [23.37]	-	1.187-18 UNEF
22	16	16, 16S	12	.500 [12.70]	.700 [17.78]	1	3.00 [76.20]	1.916 [48.67]	1.112 [28.24]	1.92 [48.77]	-	1.187-18 UNEF
23	16	16, 16S	16	.625 [15.87]	.937 [23.80]	2	2.75 [69.85]	2.000 [50.80]	1.112 [28.24]	1.67 [42.42]	1.468 [37.29]	1.437-18 UNEF
24	16	16, 16S	16	.625 [15.87]	.937 [23.80]	2	3.75 [95.25]	2.000 [50.80]	1.112 [28.24]	2.67 [67.82]	1.468 [37.29]	1.437-18 UNEF
25	18	18	10	.350 [8.89]	.625 [15.87]	1	2.00 [50.80]	1.844 [46.84]	1.218 [30.94]	.92 [23.37]	-	1.000-20 UNEF
26	18	18	10	.350 [8.89]	.625 [15.87]	1	3.00 [76.20]	1.844 [46.84]	1.218 [30.94]	1.92 [48.77]	-	1.000-20 UNEF
27	18	18	12	.500 [12.70]	.750 [19.05]	1	2.00 [50.80]	1.916 [48.67]	1.218 [30.94]	.92 [23.37]	-	1.187-18 UNEF
28	18	18	12	.500 [12.70]	.750 [19.05]	1	3.00 [76.20]	1.916 [48.67]	1.218 [30.94]	1.92 [48.77]	-	1.187-18 UNEF
29	18	18	16	.625 [15.87]	.937 [23.80]	2	2.75 [69.85]	2.000 [50.80]	1.218 [30.94]	1.67 [42.42]	1.468 [37.29]	1.437-18 UNEF
30	18	18	16	.625 [15.87]	.937 [23.80]	2	3.75 [95.25]	2.000 [50.80]	1.218 [30.94]	2.67 [67.82]	1.468 [37.29]	1.437-18 UNEF
31	20	20	10	.350 [8.89]	.625 [15.87]	1	3.00 [76.20]	1.844 [46.84]	1.345 [34.16]	1.92 [48.77]	-	1.000-20 UNEF

Dimensions in brackets [ ] are in millimeters.

Continued on Next Page

# STRAIGHT ENVIRONMENTAL BACKSHELL WITH CABLE CLAMP

B049AF10

Continued from Previous Page

DASH NO.	FITS SHELL OF CONN.		CLAMP SIZE	A WIRE BUNDLE RANGE [DIA.]		STYLE	B ±.125 [±3.17]	C REF.	ØD MAX.	E REF.	F MAX	V THREAD CLASS 2A
	MIL-DTL-26482 SERIES 2	AS50151 CRIMP		MIN.	MAX.							
33	20	20	12	.500 [12.70]	.750 [19.05]	1	3.00 [76.20]	1.916 [48.67]	1.345 [34.16]	1.92 [48.77]	-	1.187-18 UNEF
34	20	20	12	.500 [12.70]	.750 [19.05]	1	4.00 [101.60]	1.916 [48.67]	1.345 [34.16]	2.92 [74.17]	-	1.187-18 UNEF
35	20	20	16	.625 [15.87]	.937 [23.80]	2	3.75 [95.25]	2.000 [50.80]	1.345 [34.16]	2.67 [67.82]	1.468 [37.29]	1.437-18 UNEF
36	20	20	16	.625 [15.87]	.937 [23.80]	2	4.75 [120.65]	2.000 [50.80]	1.345 [34.16]	3.67 [93.22]	1.468 [37.29]	1.437-18 UNEF
37	20	20	20	.875 [22.22]	1.250 [31.75]	2	3.75 [95.25]	2.230 [56.64]	1.345 [34.16]	2.67 [67.82]	1.969 [50.01]	1.750-18 UNS
38	20	20	20	.875 [22.22]	1.250 [31.75]	2	4.75 [120.65]	2.230 [56.64]	1.345 [34.16]	3.67 [93.22]	1.969 [50.01]	1.750-18 UNS
39	22	22	10	.350 [8.89]	.625 [15.87]	1	3.00 [76.20]	1.844 [46.84]	1.468 [37.29]	1.92 [48.77]	-	1.000-20 UNEF
40	22	22	10	.350 [8.89]	.625 [15.87]	1	4.00 [101.60]	1.844 [46.84]	1.468 [37.29]	2.92 [74.17]	-	1.000-20 UNEF
41	22	22	12	.500 [12.70]	.750 [19.05]	1	3.00 [76.20]	1.916 [48.67]	1.468 [37.29]	1.92 [48.77]	-	1.187-18 UNEF
42	22	22	12	.500 [12.70]	.750 [19.05]	1	4.00 [101.60]	1.916 [48.67]	1.468 [37.29]	2.92 [74.17]	-	1.187-18 UNEF
43	22	22	16	.625 [15.87]	.937 [23.80]	1	3.00 [76.20]	2.000 [50.80]	1.468 [37.29]	1.92 [48.77]	-	1.437-18 UNEF
44	22	22	16	.625 [15.87]	.937 [23.80]	1	4.00 [101.60]	2.000 [50.80]	1.468 [37.29]	2.92 [74.17]	-	1.437-18 UNEF
45	22	22	20	.875 [22.22]	1.250 [31.75]	2	3.75 [95.25]	2.230 [56.64]	1.468 [37.29]	2.67 [67.82]	1.969 [50.01]	1.750-18 UNS
46	22	22	20	.875 [22.22]	1.250 [31.75]	2	4.75 [120.65]	2.230 [56.64]	1.468 [37.29]	3.67 [93.22]	1.969 [50.01]	1.750-18 UNS
47	24	24	12	.500 [12.70]	.750 [19.05]	1	3.00 [76.20]	1.916 [48.67]	1.593 [40.46]	1.92 [48.77]	-	1.187-18 UNEF
48	24	24	12	.500 [12.70]	.750 [19.05]	1	4.00 [101.60]	1.916 [48.67]	1.593 [40.46]	2.92 [74.17]	-	1.187-18 UNEF
49	24	24	16	.625 [15.87]	.812 [20.62]	1	3.00 [76.20]	2.000 [50.80]	1.593 [40.46]	1.92 [48.77]	-	1.437-18 UNEF
50	24	24	16	.625 [15.87]	.812 [20.62]	1	4.00 [101.60]	2.000 [50.80]	1.593 [40.46]	2.92 [74.17]	-	1.437-18 UNEF
51	24	24	16	.625 [15.87]	.937 [23.80]	1	3.00 [76.20]	2.000 [50.80]	1.593 [40.46]	1.92 [48.77]	-	1.437-18 UNEF
52	24	24	16	.625 [15.87]	.937 [23.80]	1	4.00 [101.60]	2.000 [50.80]	1.593 [40.46]	2.92 [74.17]	-	1.437-18 UNEF
53	24	24	20	.875 [22.22]	1.250 [31.75]	2	3.75 [95.25]	2.230 [56.64]	1.593 [40.46]	2.67 [67.82]	1.969 [50.01]	1.750-18 UNS
54	24	24	20	.875 [22.22]	1.250 [31.75]	2	4.75 [120.65]	2.230 [56.64]	1.593 [40.46]	3.67 [93.22]	1.969 [50.01]	1.750-18 UNS
55	-	28	12	.500 [12.70]	.750 [19.05]	1	3.00 [76.20]	1.916 [48.67]	1.969 [50.01]	1.92 [48.77]	-	1.187-18 UNEF
56	-	28	12	.500 [12.70]	.750 [19.05]	1	4.00 [101.60]	1.916 [48.67]	1.969 [50.01]	2.92 [74.17]	-	1.187-18 UNEF
57	-	28	16	.625 [15.87]	.937 [23.80]	1	3.00 [76.20]	2.000 [50.80]	1.969 [50.01]	1.92 [48.77]	-	1.437-18 UNEF
58	-	28	16	.625 [15.87]	.937 [23.80]	1	4.00 [101.60]	2.000 [50.80]	1.969 [50.01]	2.92 [74.17]	-	1.43-18 UNEF
59	-	28	20	.875 [22.22]	1.250 [31.75]	1	3.00 [76.20]	2.230 [56.64]	1.969 [50.01]	1.92 [48.77]	-	1.750-18 UNS
60	-	28	20	.875 [22.22]	1.250 [31.75]	1	4.00 [101.60]	2.230 [56.64]	1.969 [50.01]	2.92 [74.17]	-	1.750-18 UNS
61	-	28	24	1.000 [25.40]	1.375 [34.92]	1	3.00 [76.20]	1.500 [38.10]	1.969 [50.01]	1.92 [48.77]	-	2.000-18 UNS
62	-	28	24	1.000 [25.40]	1.375 [34.92]	1	4.00 [101.60]	1.500 [38.10]	1.969 [50.01]	2.92 [74.17]	-	2.000-18 UNS

Dimensions in brackets [ ] are in millimeters.

Continued on Next Page



# STRAIGHT ENVIRONMENTAL BACKSHELL WITH CABLE CLAMP

B049AF10

Continued from Previous Page

DASH NO.	FITS SHELL OF CONN.		CLAMP SIZE	A WIRE BUNDLE RANGE [DIA.]		STYLE	B ±.125 [±3.17]	C REF.	ØD MAX.	E REF.	F MAX	V THREAD CLASS 2A
	MIL-DTL-26482 SERIES 2	AS50151 CRIMP		MIN.	MAX.							
	63	-		32	16							
64	-	32	16	.625 [15.87]	.937 [23.80]	1	4.00 [101.60]	1.156 [29.36]	2.219 [56.36]	2.92 [74.17]	-	1.437-18 UNEF
65	-	32	20	.875 [22.22]	1.250 [31.75]	1	3.00 [76.20]	1.375 [34.92]	2.219 [56.36]	1.92 [48.77]	-	1.750-18 UNS
66	-	32	20	.875 [22.22]	1.250 [31.75]	1	4.00 [101.60]	1.375 [34.92]	2.219 [56.36]	2.92 [74.17]	-	1.750-18 UNS
67	-	32	24	1.000 [25.40]	1.375 [34.92]	1	3.00 [76.20]	1.500 [38.10]	2.219 [56.36]	1.92 [48.77]	-	2.000-18 UNS
68	-	32	24	1.000 [25.40]	1.375 [34.92]	1	4.00 [101.60]	1.500 [38.10]	2.219 [56.36]	2.92 [74.17]	-	2.000-18 UNS
69	-	32	28	1.250 [31.75]	1.625 [41.27]	1	3.00 [76.20]	1.781 [45.24]	2.219 [56.36]	1.92 [48.77]	-	2.250-16 UN
70	-	32	28	1.250 [31.75]	1.625 [41.27]	1	4.00 [101.60]	1.781 [45.24]	2.219 [56.36]	2.92 [74.17]	-	2.250-16 UN
71	-	36	20	.875 [22.22]	1.250 [31.75]	1	4.00 [101.60]	1.375 [34.92]	2.469 [62.71]	2.92 [74.17]	-	1.750-18 UNS
72	-	36	20	.875 [22.22]	1.250 [31.75]	1	5.00 [127.00]	1.375 [34.92]	2.469 [62.71]	3.92 [99.57]	-	1.750-18 UNS
73	-	36	24	1.000 [25.40]	1.375 [34.92]	1	4.00 [101.60]	1.500 [38.10]	2.469 [62.71]	2.92 [74.17]	-	2.000-18 UNS
74	-	36	24	1.000 [25.40]	1.375 [34.92]	1	5.00 [127.00]	1.500 [38.10]	2.469 [62.71]	3.92 [99.57]	-	2.000-18 UNS
75	-	36	28	1.250 [31.75]	1.625 [41.27]	1	4.00 [101.60]	1.781 [45.24]	2.469 [62.71]	2.92 [74.17]	-	2.250-16 UN
76	-	36	28	1.250 [31.75]	1.625 [41.27]	1	5.00 [127.00]	1.781 [45.24]	2.469 [62.71]	3.92 [99.57]	-	2.250-16 UN
77	-	36	32	1.437 [36.50]	1.875 [47.62]	2	4.88 [123.95]	1.830 [46.48]	2.469 [62.71]	3.80 [96.52]	2.719 [69.06]	2.500-16 UN
78	-	36	32	1.437 [36.50]	1.875 [47.62]	2	5.88 [149.35]	1.830 [46.48]	2.469 [62.71]	4.80 [121.92]	2.719 [69.06]	2.500-16 UN
79	-	40	20	.875 [22.22]	1.250 [31.75]	1	4.00 [101.60]	1.375 [34.92]	2.719 [69.06]	2.92 [74.17]	-	1.750-18 UNS
80	-	40	20	.875 [22.22]	1.250 [31.75]	1	5.00 [127.00]	1.375 [34.92]	2.719 [69.06]	3.92 [99.57]	-	1.750-18 UNS
81	-	40	24	1.000 [25.40]	1.375 [34.92]	1	4.00 [101.60]	2.024 [51.41]	2.719 [69.06]	2.92 [74.17]	-	2.000-18 UNS
82	-	40	24	1.000 [25.40]	1.375 [34.92]	1	5.00 [127.00]	2.024 [51.41]	2.719 [69.06]	3.92 [99.57]	-	2.000-18 UNS
83	-	40	28	1.250 [31.75]	1.625 [41.27]	1	4.00 [101.60]	2.550 [64.77]	2.719 [69.06]	2.92 [74.17]	-	2.250-16 UN
84	-	40	28	1.250 [31.75]	1.625 [41.27]	1	5.00 [127.00]	2.550 [64.77]	2.719 [69.06]	3.92 [99.57]	-	2.250-16 UN
85	-	40	32	1.437 [36.50]	1.875 [47.62]	1	4.00 [101.60]	2.600 [66.04]	2.719 [69.06]	2.92 [74.17]	-	2.500-16 UN
86	-	40	32	1.437 [36.50]	1.875 [47.62]	1	5.00 [127.00]	2.600 [66.04]	2.719 [69.06]	3.92 [99.57]	-	2.500-16 UN
87	-	44	20	.875 [22.22]	1.250 [31.75]	1	4.00 [101.60]	2.230 [56.64]	2.969 [75.41]	2.92 [74.17]	-	1.750-18 UNS
88	-	44	20	.875 [22.22]	1.250 [31.75]	1	5.00 [127.00]	2.230 [56.64]	2.969 [75.41]	3.92 [99.57]	-	1.750-18 UNS
89	-	44	24	1.000 [25.40]	1.375 [34.92]	1	4.00 [101.60]	2.024 [51.41]	2.969 [75.41]	2.92 [74.17]	-	2.000-18 UNS
90	-	44	24	1.000 [25.40]	1.375 [34.92]	1	5.00 [127.00]	2.024 [51.41]	2.969 [75.41]	3.92 [99.57]	-	2.000-18 UNS
91	-	44	28	1.250 [31.75]	1.625 [41.27]	1	4.00 [101.60]	2.550 [64.77]	2.969 [75.41]	2.92 [74.17]	-	2.250-16 UN
92	-	44	28	1.250 [31.75]	1.625 [41.27]	1	5.00 [127.00]	2.550 [64.77]	2.969 [75.41]	3.92 [99.57]	-	2.250-16 UN
93	-	44	32	1.437 [36.50]	1.875 [47.62]	1	4.00 [101.60]	2.600 [66.04]	2.969 [75.41]	2.92 [74.17]	-	2.500-16 UN

Dimensions in brackets [ ] are in millimeters.

Continued on Next Page

3D

# STRAIGHT ENVIRONMENTAL BACKSHELL WITH CABLE CLAMP

B049AF10

Continued from Previous Page

DASH NO.	FITS SHELL OF CONN.		CLAMP SIZE	A WIRE BUNDLE RANGE [DIA.]		STYLE	B ±.125 [±3.17]	C REF.	ØD MAX.	E REF.	F MAX	V THREAD CLASS 2A
	MIL-DTL-26482 SERIES 2	AS50151 CRIMP		MIN.	MAX.							
95	-	48	20	.875 [22.22]	1.250 [31.75]	1	4.00 [101.60]	2.230 [56.64]	3.219 [81.76]	2.92 [74.17]	-	1.750-18 UNS
96	-	48	20	.875 [22.22]	1.250 [31.75]	1	5.00 [127.00]	2.230 [56.64]	3.219 [81.76]	3.92 [99.57]	-	1.750-18 UNS
97	-	48	24	1.000 [25.40]	1.375 [34.92]	1	4.00 [101.60]	2.024 [51.41]	3.219 [81.76]	2.92 [74.17]	-	2.000-18 UNS
98	-	48	24	1.000 [25.40]	1.375 [34.92]	1	5.00 [127.00]	2.024 [51.41]	3.219 [81.76]	3.92 [99.57]	-	2.000-18 UNS
99	-	48	28	1.250 [31.75]	1.625 [41.27]	1	4.00 [101.60]	2.550 [64.77]	3.219 [81.76]	2.92 [74.17]	-	2.250-16 UN
100	-	48	28	1.250 [31.75]	1.625 [41.27]	1	5.00 [127.00]	2.550 [64.77]	3.219 [81.76]	3.92 [99.57]	-	2.250-16 UN
101	-	48	32	1.437 [36.50]	1.875 [47.62]	1	4.00 [101.60]	2.600 [66.04]	3.219 [81.76]	2.92 [74.17]	-	2.500-16 UN
102	-	48	32	1.437 [36.50]	1.875 [47.62]	1	5.00 [127.00]	2.600 [66.04]	3.219 [81.76]	3.92 [99.57]	-	2.500-16 UN
111	12	12, 12S	10	.350 [8.89]	.500 [12.70]	1	2.00 [50.80]	1.844 [46.84]	.858 [21.79]	1.00 [25.40]	-	1.000-20 UNEF
112	16	16, 16S	6	.250 [6.35]	.437 [11.10]	1	2.00 [50.80]	1.844 [46.84]	1.112 [28.24]	1.00 [25.40]	-	.750-20 UNEF
113	16	16, 16S	6	.250 [6.35]	.437 [11.10]	1	3.00 [76.20]	1.544 [39.22]	1.112 [28.24]	2.00 [50.80]	-	.750-20 UNEF
114	12	12, 12S	4	.125 [3-17]	.312 [7.92]	1	2.00 [50.80]	1.544 [39.22]	.858 [21.79]	1.00 [25.40]	-	.625-24 UNEF
115	12	12, 12S	4	.125 [3-17]	.312 [7.92]	1	3.00 [76.20]	1.544 [39.22]	.858 [21.79]	2.00 [50.80]	-	.625-24 UNEF
116	14	14, 14S	6	.250 [6.35]	.437 [11.10]	1	2.00 [50.80]	1.544 [39.22]	.984 [24.99]	1.00 [25.40]	-	.750-20 UNEF
117	14	14S, 14S	6	.250 [6.35]	.437 [11.10]	1	3.00 [76.20]	1.544 [39.22]	.984 [24.99]	2.00 [50.80]	-	.750-20 UNEF
118	16	16, 16S	10	.350 [8.89]	.625 [15.87]	1	2.00 [50.80]	1.544 [39.22]	1.112 [28.24]	.92 [23.37]	-	1.000-20 UNEF
119	16	16, 16S	10	.350 [8.89]	.625 [15.87]	1	3.00 [76.20]	1.844 [46.84]	1.112 [28.24]	1.92 [48.77]	-	1.000-20 UNEF
120	18	18	4	.125 [3-17]	.312 [7.92]	1	2.00 [50.80]	1.844 [46.84]	1.218 [30.94]	.92 [23.37]	-	.625-24 UNEF
121	18	18	4	.125 [3-17]	.312 [7.92]	1	3.00 [76.20]	1.544 [39.22]	1.218 [30.94]	1.92 [48.77]	-	.625-24 UNEF
122	18	18	6	.250 [6.35]	.437 [11.10]	1	2.00 [50.80]	1.544 [39.22]	1.218 [30.94]	.92 [23.37]	-	.750-20 UNEF
123	18	18	6	.250 [6.35]	.437 [11.10]	1	3.00 [76.20]	1.544 [39.22]	1.218 [30.94]	1.92 [48.77]	-	.750-20 UNEF
124	20	20	6	.250 [6.35]	.437 [11.10]	1	3.00 [76.20]	1.544 [39.22]	1.345 [34.16]	1.92 [48.77]	-	.750-20 UNEF
125	20	20	6	.250 [6.35]	.437 [11.10]	1	4.00 [101.60]	1.544 [39.22]	1.345 [34.16]	2.92 [74.17]	-	.750-20 UNEF
126	22	22	4	.125 [3-17]	.312 [7.92]	1	3.00 [76.20]	1.544 [39.22]	1.468 [37.29]	1.92 [48.77]	-	.625-24 UNEF
127	22	22	4	.125 [3-17]	.312 [7.92]	1	4.00 [101.60]	1.544 [39.22]	1.468 [37.29]	2.92 [74.17]	-	.625-24 UNEF
128	22	22	6	.250 [6.35]	.437 [11.10]	1	3.00 [76.20]	1.544 [39.22]	1.468 [37.29]	1.92 [48.77]	-	.750-20 UNEF
129	22	22	6	.250 [6.35]	.437 [11.10]	1	4.00 [101.60]	1.544 [39.22]	1.468 [37.29]	2.92 [74.17]	-	.750-20 UNEF
130	24	24	10	.350 [8.89]	.625 [15.87]	1	3.00 [76.20]	1.844 [46.84]	1.593 [40.46]	1.92 [48.77]	-	1.000-20 UNEF
131	24	24	10	.350 [8.89]	.625 [15.87]	1	4.00 [101.60]	1.844 [46.84]	1.593 [40.46]	2.92 [74.17]	-	1.000-20 UNEF
132	-	36	12	.500 [12.70]	.750 [19.05]	1	4.00 [101.60]	1.916 [48.67]	2.469 [62.71]	2.92 [74.17]	-	1.187-18 UNEF

Dimensions in brackets [ ] are in millimeters.

Continued on Next Page



# STRAIGHT ENVIRONMENTAL BACKSHELL WITH CABLE CLAMP

B049AF10

Continued from Previous Page

DASH NO.	FITS SHELL OF CONN.		CLAMP SIZE	A WIRE BUNDLE RANGE [DIA.]		STYLE	B ±.125 [±3.17]	C REF.	ØD MAX.	E REF.	F MAX	V THREAD CLASS 2A
	MIL-DTL-26482 SERIES 2	AS50151 CRIMP		MIN.	MAX.							
	133	-		36	12							
134	-	40	12	.500 [12.70]	.750 [19.05]	1	4.00 [101.60]	1.916 [48.67]	2.719 [69.06]	2.92 [74.17]	-	1.187-18 UNEF
135	-	40	12	.500 [12.70]	.750 [19.05]	1	5.00 [127.00]	1.916 [48.67]	2.719 [69.06]	3.92 [99.57]	-	1.187-18 UNEF
136	10	10S, 10SL	6	.250 [6.35]	.375 [9.52]	1	2.00 [50.80]	1.544 [39.22]	.734 [18.64]	1.06 [26.92]	-	.750-20 UNEF
137	10	10S, 10SL	6	.250 [6.35]	.375 [9.52]	1	3.00 [76.20]	1.544 [39.22]	.734 [18.64]	2.06 [52.32]	-	.750-20 UNEF
138	12	12, 12S	10	.350 [8.89]	.500 [12.70]	1	2.00 [50.80]	1.844 [46.84]	.858 [21.79]	1.06 [26.92]	-	1.000-20 UNEF
139	12	12, 12S	10	.350 [8.89]	.500 [12.70]	1	3.00 [76.20]	1.844 [46.84]	.858 [21.79]	2.06 [52.32]	-	1.000-20 UNEF
140	20	20	16	.625 [15.87]	.904 [22.96]	1	3.00 [76.20]	2.000 [50.80]	1.345 [34.16]	1.92 [48.77]	-	1.437-18 UNEF
141	20	20	16	.625 [15.87]	.904 [22.96]	1	4.00 [101.60]	2.000 [50.80]	1.345 [34.16]	2.92 [74.17]	-	1.437-18 UNEF
142	22	22	20	.875 [22.22]	1.029 [26.14]	1	3.00 [76.20]	2.230 [56.64]	1.468 [37.29]	1.92 [48.77]	-	1.750-18 UNS
143	22	22	20	.875 [22.22]	1.029 [26.14]	1	4.00 [101.60]	2.230 [56.64]	1.468 [37.29]	2.92 [74.17]	-	1.750-18 UNS
144	24	24	20	.875 [22.22]	1.144 [29.06]	1	3.00 [76.20]	2.230 [56.64]	1.593 [40.46]	1.92 [48.77]	-	1.750-18 UNS
145	24	24	20	.875 [22.22]	1.144 [29.06]	1	4.00 [101.60]	2.230 [56.64]	1.593 [40.46]	2.92 [74.17]	-	1.750-18 UNS
146	-	36	32	1.437 [36.50]	1.840 [46.74]	1	4.00 [101.60]	2.600 [66.04]	2.469 [62.71]	2.92 [74.17]	-	2.500-16 UN
147	-	36	32	1.437 [36.50]	1.840 [46.74]	1	5.00 [127.00]	2.600 [66.04]	2.469 [62.71]	3.92 [99.57]	-	2.500-16 UN
148	-	36	16	.625 [15.87]	.937 [23.80]	1	4.00 [101.60]	2.000 [50.80]	2.469 [62.71]	2.92 [74.17]	-	1.437-18 UNEF
149	-	36	16	.625 [15.87]	.937 [23.80]	1	5.00 [127.00]	2.000 [50.80]	2.469 [62.71]	3.92 [99.57]	-	1.437-18 UNEF
150	14	14, 14S	4	.125 [3.17]	.312 [7.92]	1	2.00 [50.80]	1.544 [39.22]	.964 [24.49]	.92 [23.37]	-	.625-24 UNEF
151	14	14, 14S	4	.125 [3.17]	.312 [7.92]	1	3.00 [76.20]	1.544 [39.22]	.964 [24.49]	1.92 [48.77]	-	.625-24 UNEF
152	16	16, 16S	4	.125 [3.17]	.312 [7.92]	1	2.00 [50.80]	1.544 [39.22]	1.112 [28.24]	.92 [23.37]	-	.625-24 UNEF
153	16	16, 16S	4	.125 [3.17]	.312 [7.92]	1	3.00 [76.20]	1.544 [39.22]	1.112 [28.24]	1.92 [48.77]	-	.625-24 UNEF
154	-	44	16	.625 [15.87]	.937 [23.80]	1	4.00 [101.60]	2.000 [50.80]	2.969 [75.41]	2.92 [74.17]	-	1.437-18 UNEF
155	-	44	16	.625 [15.87]	.937 [23.80]	1	5.00 [127.00]	2.000 [50.80]	2.969 [75.41]	3.92 [99.57]	-	1.437-18 UNEF
156	-	40	16	.625 [15.87]	.937 [23.80]	1	4.00 [101.60]	2.000 [50.80]	2.719 [69.06]	2.92 [74.17]	-	1.437-18 UNEF
157	-	40	16	.625 [15.87]	.937 [23.80]	1	5.00 [127.00]	2.000 [50.80]	2.719 [69.06]	3.92 [99.57]	-	1.437-18 UNEF

Dimensions in brackets [ ] are in millimeters.

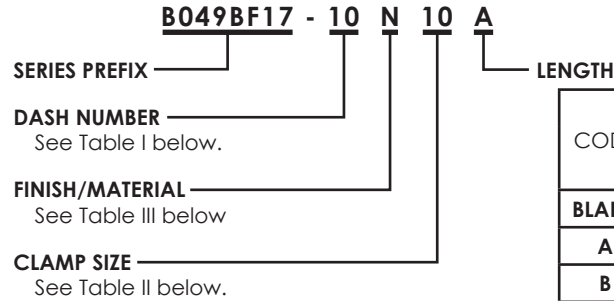
3D

# STRAIGHT ENVIRONMENTAL BACKSHELL WITH CABLE CLAMP

B049BF17

For SC1\* & SC2\* Series (MIL-DTL-38999 Series I & II)

## ORDERING INFORMATION



CODE	SHELL SIZE	LENGTH	
		One Piece Construction	
BLANK	8 thru 24	1.50	[38.10]
A	8 thru 24	2.50	[63.50]
B	14 thru 24	3.50	[88.90]
C	20 thru 24	4.50	[114.30]

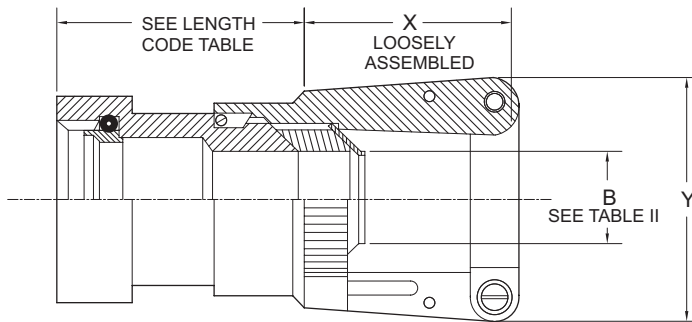


TABLE I

SHELL SIZE	CONNECTOR SHELL SIZE		CLAMP SIZE RANGE*	
	SERIES I	SERIES II	MIN.	MAX.
8	9	8	01	02
10	11	10	01	03
12	13	12	02	04
14	15	14	02	05
16	17	16	02	06
18	19	18	03	07
20	21	20	03	08
22	23	22	03	09
24	25	24	04	10

TABLE II

CLAMP SIZE	B CABLE RANGE		X MAX	Y MAX
	MIN.	MAX.		
01	.062 [1.57]	.125 [3.17]	1.250 [31.75]	.781 [19.84]
02	.125 [3.17]	.250 [6.35]	1.250 [31.75]	.969 [24.61]
03	.250 [6.35]	.375 [9.52]	1.250 [31.75]	1.062 [26.97]
04	.375 [9.53]	.500 [12.70]	1.250 [31.75]	1.156 [29.36]
05	.500 [12.70]	.625 [15.87]	1.312 [33.32]	1.250 [31.75]
06	.625 [15.88]	.750 [19.05]	1.375 [34.92]	1.375 [34.92]
07	.750 [19.05]	.875 [22.22]	1.500 [38.10]	1.500 [38.10]
08	.875 [22.23]	1.000 [25.40]	1.625 [41.27]	1.625 [41.27]
09	1.000 [25.40]	1.125 [28.57]	1.625 [41.27]	1.750 [44.45]
10	1.125 [28.58]	1.250 [31.75]	1.625 [41.27]	1.875 [47.62]

Dimensions in brackets [ ] are in millimeters.

TABLE III - AVAILABLE FINISHES

CODE	DESCRIPTION	MATERIAL	TEMP. RANGE	EXCLUSIONS
N	Electroless nickel - In accordance with AMS-C-26074 or AMS 2404.	Aluminum Alloy	-65 to +200 °C	Not for Navy use.
W	Cadmium - Olive drab over suitable underplate, 1000 hour salt spray.		-65 to +175 °C	Not for use in space application.
X	Nickel fluorocarbon polymer. Nickel with fluorocarbon polymer additives over a suitable underplate to withstand 1000 hours of salt spray testing. Color shall be non-reflective. Final finish shall be electrically conductive.		-65 to +175 °C	
Z	Zinc nickel in accordance with ASTM B841 over suitable underplate to withstand 1000 hours of salt spray testing. Color shall be black, conductive, and non-reflective. Final finish shall be electrically conductive.		-65 to +175 °C	



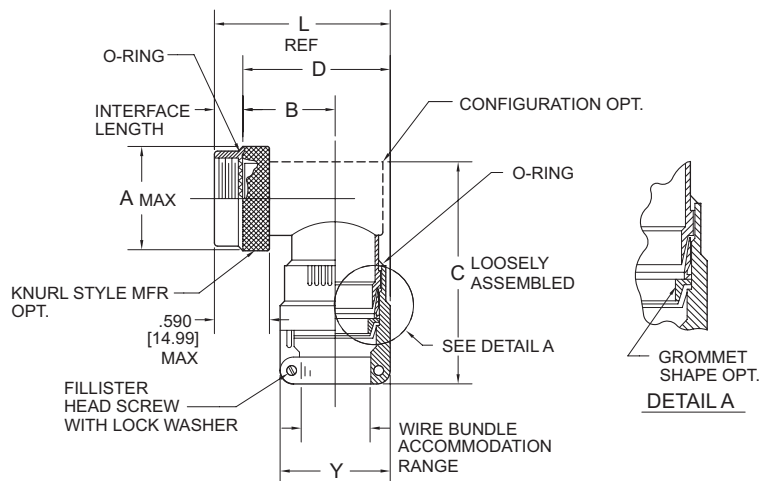
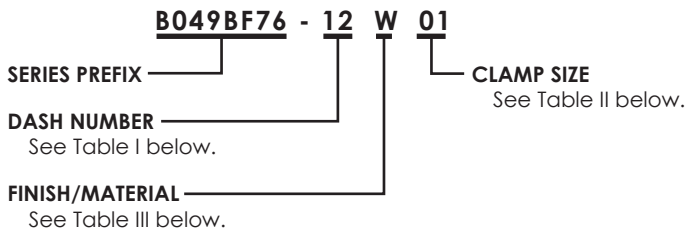


# 90° ENVIRONMENTAL BACKSHELL WITH CABLE CLAMP

B049BF76

For **SC1\*** & **SC2\*** Series (MIL-DTL-38999 Series I & II)

## ORDERING INFORMATION



**TABLE I**

DASH NUMBER	FITS CONN. SHELL SIZE		CLAMP SIZE (SEE TABLE I)	A MAX. DIA OF COUPLING RING	B ±.062 [±1.57]	C ±.062 [±1.57]	D ±.062 [±1.57]	L REF
	SERIES I	SERIES II						
08	09	08	01 THRU 02	.75 [19.05]	.438 [11.13]	3.141 [79.78]	.968 [24.59]	1.27 [32.26]
10	11	10	01 THRU 03	.85 [21.59]	.533 [13.54]	3.261 [82.83]	1.10 [27.94]	1.40 [35.56]
12	13	12	02 THRU 04	1.00 [25.40]	.548 [13.92]	3.281 [83.34]	1.17 [29.72]	1.47 [37.34]
14	15	14	02 THRU 05	1.15 [29.21]	.638 [16.21]	3.351 [85.12]	1.29 [32.77]	1.59 [40.39]
16	17	16	02 THRU 06	1.25 [31.75]	.823 [20.90]	3.441 [87.40]	1.54 [39.12]	1.84 [46.74]
18	19	18	03 THRU 07	1.40 [35.56]	.913 [23.19]	3.611 [91.72]	1.69 [42.93]	1.99 [50.55]
20	21	20	03 THRU 08	1.55 [39.37]	.913 [23.19]	3.611 [91.72]	1.76 [44.70]	2.06 [52.32]
22	23	22	03 THRU 09	1.65 [41.91]	1.063 [27.00]	3.721 [94.51]	1.97 [50.04]	2.27 [57.66]
24	25	24	04 THRU 10	1.85 [46.99]	1.063 [27.00]	3.721 [94.51]	2.03 [51.56]	2.33 [59.18]

Dimensions in brackets [ ] are in millimeters.

**TABLE II**

CLAMP SIZE	WIRE BUNDLE ACCOMMODATION RANGE		Y MAX.
	MIN.	MAX.	
01	.062 [1.57]	.125 [3.17]	.80 [20.32]
02	.125 [3.17]	.250 [6.35]	1.00 [25.40]
03	.250 [6.35]	.375 [9.52]	1.10 [27.94]
04	.375 [9.52]	.500 [12.70]	1.20 [30.48]
05	.500 [12.70]	.625 [15.87]	1.25 [31.75]
06	.625 [15.87]	.750 [19.05]	1.40 [35.56]
07	.750 [19.05]	.875 [22.22]	1.50 [38.10]
08	.875 [22.22]	1.000 [25.40]	1.65 [41.91]
09	1.000 [25.40]	1.125 [28.57]	1.75 [44.45]
10	1.125 [28.57]	1.250 [31.75]	1.90 [48.26]

Dimensions in brackets [ ] are in millimeters.

**TABLE III - AVAILABLE FINISHES**

CODE	DESCRIPTION	MATERIAL	TEMP. RANGE	EXCLUSIONS
<b>N</b>	Electroless nickel - In accordance with AMS-C-26074 or AMS 2404.	Aluminum Alloy	-65 to +200 °C	Not for Navy use.
<b>W</b>	Cadmium - Olive drab over suitable underplate, 1000 hour salt spray.		-65 to +175 °C	Not for use in space application.
<b>X</b>	Nickel fluorocarbon polymer. Nickel with fluorocarbon polymer additives over a suitable underplate to withstand 1000 hours of salt spray testing. Color shall be non-reflective. Final finish shall be electrically conductive.		-65 to +175 °C	
<b>Z</b>	Zinc nickel in accordance with ASTM B841 over suitable underplate to withstand 1000 hours of salt spray testing. Color shall be black, conductive, and non-reflective. Final finish shall be electrically conductive.		-65 to +175 °C	

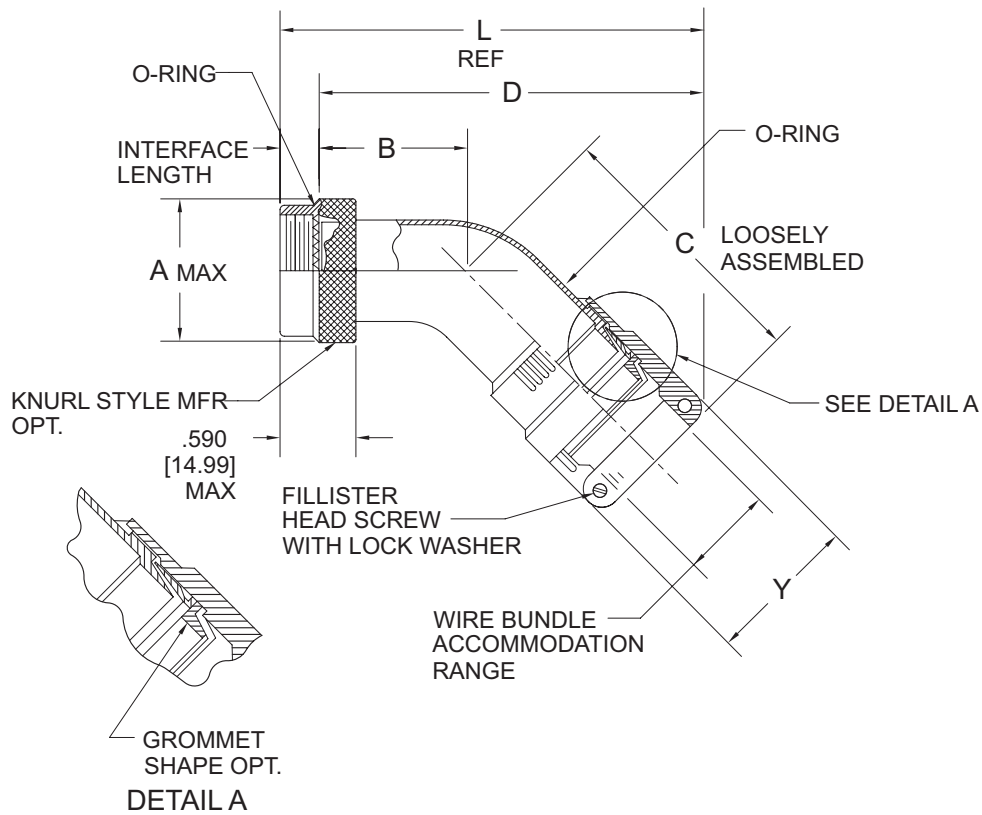
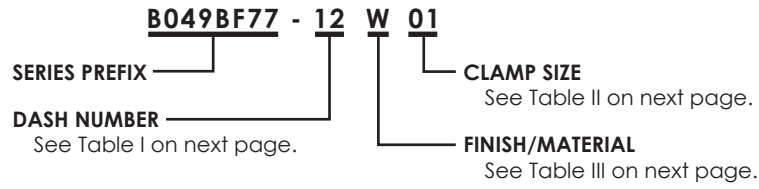


# 45° ENVIRONMENTAL BACKSHELL WITH CABLE CLAMP

B049BF77

For **SC1\*** & **SC2\*** Series (MIL-DTL-38999 Series I & II)

## ORDERING INFORMATION



# 45° ENVIRONMENTAL BACKSHELL WITH CABLE CLAMP

B049BF77

TABLE I

DASH NUMBER	FITS CONN. SHELL SIZE		CLAMP SIZE (SEE TABLE I)	A MAX. DIA OF COUPLING RING	B ±.062 [±1.57]	C ±.062 [±1.57]	D ±.062 [±1.57]	L REF
	SERIES I	SERIES II						
08	09	08	01 THRU 02	.75 [19.05]	0.398 [10.11]	3.088 [78.44]	2.850 [72.39]	3.150 [80.00]
10	11	10	01 THRU 03	.85 [21.59]	0.458 [11.63]	3.148 [79.96]	2.980 [75.69]	3.244 [82.40]
12	13	12	02 THRU 04	1.00 [25.40]	0.518 [13.16]	3.208 [81.48]	3.130 [79.50]	3.394 [86.20]
14	15	14	02 THRU 05	1.15 [29.21]	0.588 [14.94]	3.298 [83.77]	3.320 [84.33]	3.583 [91.00]
16	17	16	02 THRU 06	1.25 [31.75]	0.678 [17.22]	3.408 [86.56]	3.530 [89.66]	3.795 [96.40]
18	19	18	03 THRU 07	1.40 [35.56]	0.868 [22.05]	3.598 [91.39]	3.910 [99.31]	4.170 [106.00]
20	21	20	03 THRU 08	1.55 [39.37]	0.868 [22.05]	3.598 [91.39]	3.960 [100.58]	4.224 [107.30]
22	23	22	03 THRU 09	1.65 [41.91]	0.958 [24.33]	3.748 [95.20]	4.190 [106.43]	4.453 [113.10]
24	25	24	04 THRU 10	1.85 [46.99]	0.958 [24.33]	3.748 [95.20]	4.240 [107.70]	4.504 [114.40]

Dimensions in brackets [ ] are in millimeters.

3D

TABLE II

CLAMP SIZE	WIRE BUNDLE ACCOMMODATION RANGE		Y MAX.
	MIN.	MAX.	
01	.062 [1.57]	.125 [3.17]	.80 [20.32]
02	.125 [3.17]	.250 [6.35]	1.00 [25.40]
03	.250 [6.35]	.375 [9.52]	1.10 [27.94]
04	.375 [9.52]	.500 [12.70]	1.20 [30.48]
05	.500 [12.70]	.625 [15.87]	1.25 [31.75]
06	.625 [15.87]	.750 [19.05]	1.40 [35.56]
07	.750 [19.05]	.875 [22.22]	1.50 [38.10]
08	.875 [22.22]	1.000 [25.40]	1.65 [41.91]
09	1.000 [25.40]	1.125 [28.57]	1.75 [44.45]
10	1.125 [28.57]	1.250 [31.75]	1.90 [48.26]

Dimensions in brackets [ ] are in millimeters.

TABLE III - AVAILABLE FINISHES

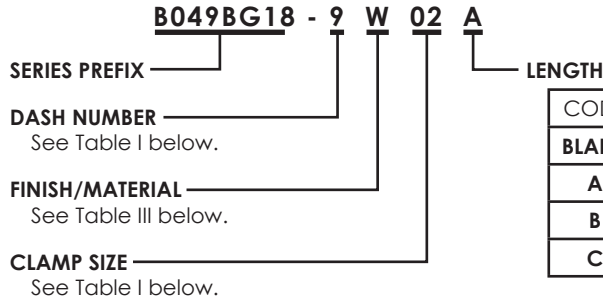
CODE	DESCRIPTION	MATERIAL	TEMP. RANGE	EXCLUSIONS
N	Electroless nickel - In accordance with AMS-C-26074 or AMS 2404.	Aluminum Alloy	-65 to +200 °C	Not for Navy use.
W	Cadmium - Olive drab over suitable underplate, 1000 hour salt spray.		-65 to +175 °C	Not for use in space application.
X	Nickel fluorocarbon polymer. Nickel with fluorocarbon polymer additives over a suitable underplate to withstand 1000 hours of salt spray testing. Color shall be non-reflective. Final finish shall be electrically conductive.		-65 to +175 °C	
Z	Zinc nickel in accordance with ASTM B841 over suitable underplate to withstand 1000 hours of salt spray testing. Color shall be black, conductive, and non-reflective. Final finish shall be electrically conductive.		-65 to +175 °C	

# STRAIGHT ENVIRONMENTAL BACKSHELL WITH CABLE CLAMP

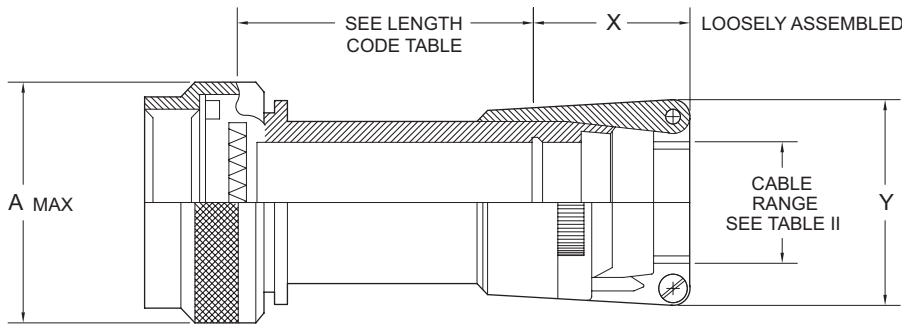
## B049BG18

For **SC3\*** Series (MIL-DTL-38999 Series III)

### ORDERING INFORMATION



CODE	SHELL SIZE	LENGTH
<b>BLANK</b>	9 thru 25	1.50 [38.10]
<b>A</b>	9 thru 25	2.50 [63.50]
<b>B</b>	15 thru 25	3.50 [88.90]
<b>C</b>	21 thru 25	4.50 [114.30]



**TABLE I**

SHELL SIZE	CLAMP SIZE (SEE TABLE II)	ØA MAX. MIL SPEC
9	01 THRU 02	.734 [18.64]
11	01 THRU 03	.840 [21.34]
13	02 THRU 04	.959 [24.36]
15	02 THRU 05	1.091 [27.71]
17	02 THRU 06	1.230 [31.24]
19	03 THRU 07	1.368 [34.75]
21	03 THRU 08	1.484 [37.69]
23	03 THRU 09	1.602 [40.69]
25	04 THRU 10	1.720 [43.69]

Dimensions in brackets [ ] are in millimeters.

**TABLE II**

SHELL SIZE	CABLE RANGE		X MAX	Y MAX
	MIN.	MAX.		
01	.062 [1.57]	.125 [3.17]	1.250 [31.75]	0.800 [20.32]
02	.125 [3.17]	.250 [6.35]	1.250 [31.75]	1.000 [25.40]
03	.250 [6.35]	.375 [9.52]	1.250 [31.75]	1.100 [27.94]
04	.375 [9.52]	.500 [12.70]	1.250 [31.75]	1.200 [30.48]
05	.500 [12.70]	.625 [15.87]	1.350 [34.29]	1.250 [31.75]
06	.625 [15.87]	.750 [19.05]	1.375 [34.92]	1.400 [35.56]
07	.750 [19.05]	.875 [22.22]	1.500 [38.10]	1.500 [38.10]
08	.875 [22.22]	1.000 [25.40]	1.625 [41.27]	1.625 [41.28]
09	1.000 [25.40]	1.125 [28.57]	1.625 [41.27]	1.750 [44.45]
10	1.125 [28.57]	1.250 [31.75]	1.625 [41.27]	1.900 [48.26]

Dimensions in brackets [ ] are in millimeters.

**TABLE III - AVAILABLE FINISHES**

CODE	DESCRIPTION	MATERIAL	TEMP. RANGE	EXCLUSIONS
<b>N</b>	Electroless nickel - In accordance with AMS-C-26074 or AMS 2404.	Aluminum Alloy	-65 to +200 °C	Not for Navy use.
<b>W</b>	Cadmium - Olive drab over suitable underplate, 1000 hour salt spray.		-65 to +175 °C	Not for use in space application.
<b>X</b>	Nickel fluorocarbon polymer. Nickel with fluorocarbon polymer additives over a suitable underplate to withstand 1000 hours of salt spray testing. Color shall be non-reflective. Final finish shall be electrically conductive.		-65 to +175 °C	
<b>Z</b>	Zinc nickel in accordance with ASTM B841 over suitable underplate to withstand 1000 hours of salt spray testing. Color shall be black, conductive, and non-reflective. Final finish shall be electrically conductive.		-65 to +175 °C	



# 45° ENVIRONMENTAL BACKSHELL WITH CABLE CLAMP

B049BG78

For **SC3\*** Series (MIL-DTL-38999 Series III)

## ORDERING INFORMATION

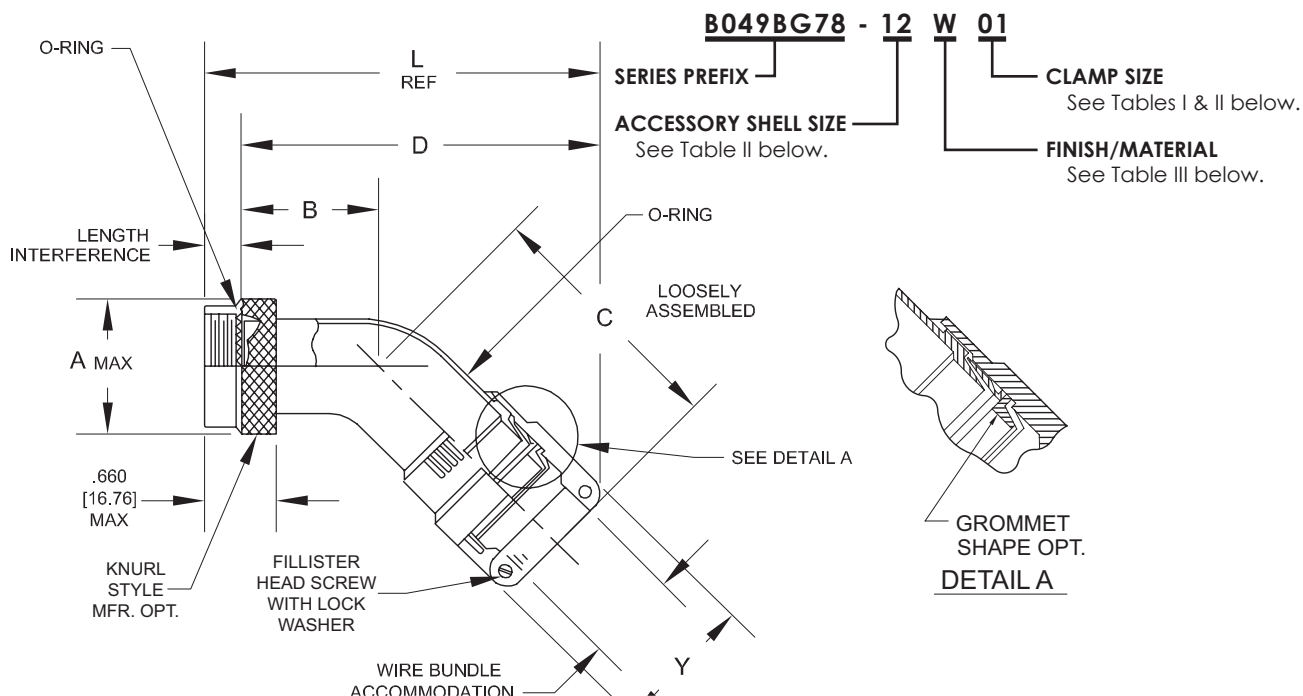


TABLE I

CLAMP SIZE	WIRE BUNDLE ACCOMMODATION RANGE		Y MAX.
	MIN.	MAX.	
01	.062 [1.57]	.125 [3.17]	.80 [20.32]
02	.125 [3.17]	.250 [6.35]	1.00 [25.40]
03	.250 [6.35]	.375 [9.52]	1.10 [27.94]
04	.375 [9.52]	.500 [12.70]	1.20 [30.48]
05	.500 [12.70]	.625 [15.87]	1.25 [31.75]
06	.625 [15.87]	.750 [19.05]	1.40 [35.56]
07	.750 [19.05]	.875 [22.22]	1.50 [38.10]
08	.875 [22.22]	1.000 [25.40]	1.65 [41.91]
09	1.000 [25.40]	1.125 [28.57]	1.75 [44.45]
10	1.125 [28.57]	1.250 [31.75]	1.90 [48.26]

Dimensions in brackets [ ] are in millimeters.

TABLE II

ACCESS. SHELL SIZE	FITS CONN. SHELL SIZE		CLAMP SIZE (SEE TABLE I)	A MAX. DIA OF COUPLING RING	B ±.062 [±1.57]	C ±.062 [±1.57]	D ±.062 [±1.57]	L REF
	SERIES I	SERIES II						
08	09	08	01 THRU 02	.75 [19.05]	.398 [10.11]	3.088 [78.44]	2.85 [72.39]	3.20 [81.28]
10	11	10	01 THRU 03	.85 [21.59]	.458 [11.63]	3.148 [79.96]	2.98 [75.69]	3.30 [83.82]
12	13	12	02 THRU 04	1.00 [25.40]	.518 [13.16]	3.208 [81.48]	3.13 [79.50]	3.45 [87.63]
14	15	14	02 THRU 05	1.15 [29.21]	.588 [14.94]	3.298 [83.77]	3.32 [84.33]	3.64 [92.46]
16	17	16	02 THRU 06	1.25 [31.75]	.678 [17.22]	3.408 [86.56]	3.53 [89.66]	3.85 [97.79]
18	19	18	03 THRU 07	1.40 [35.56]	.868 [22.05]	3.598 [91.39]	3.91 [99.31]	4.23 [107.44]
20	21	20	03 THRU 08	1.55 [39.37]	.868 [22.05]	3.598 [91.39]	3.96 [100.58]	4.28 [108.71]
22	23	22	03 THRU 09	1.65 [41.91]	.958 [24.33]	3.748 [95.20]	4.19 [106.43]	4.51 [114.55]
24	25	24	04 THRU 10	1.85 [46.99]	.958 [24.33]	3.748 [95.20]	4.24 [107.70]	4.56 [115.82]

Dimensions in brackets [ ] are in millimeters.

TABLE III - AVAILABLE FINISHES

CODE	DESCRIPTION	MATERIAL	TEMP. RANGE	EXCLUSIONS
N	Electroless nickel - In accordance with AMS-C-26074 or AMS 2404.	Aluminum Alloy	-65 to +200 °C	Not for Navy use.
W	Cadmium - Olive drab over suitable underplate, 1000 hour salt spray.		-65 to +175 °C	Not for use in space application.
X	Nickel fluorocarbon polymer. Nickel with fluorocarbon polymer additives over a suitable underplate to withstand 1000 hours of salt spray testing. Color shall be non-reflective. Final finish shall be electrically conductive.		-65 to +175 °C	
Z	Zinc nickel in accordance with ASTM B841 over suitable underplate to withstand 1000 hours of salt spray testing. Color shall be black, conductive, and non-reflective. Final finish shall be electrically conductive.		-65 to +175 °C	

# 90° ENVIRONMENTAL BACKSHELL WITH CABLE CLAMP

B049BG79

For **SC3\*** Series (MIL-DTL-38999 Series III)

## ORDERING INFORMATION

**B049BG79 - 12 W 01**

**SERIES PREFIX**

**CLAMP SIZE**

See Tables I & II below.

**ACCESSORY SHELL SIZE**

See Table II below.

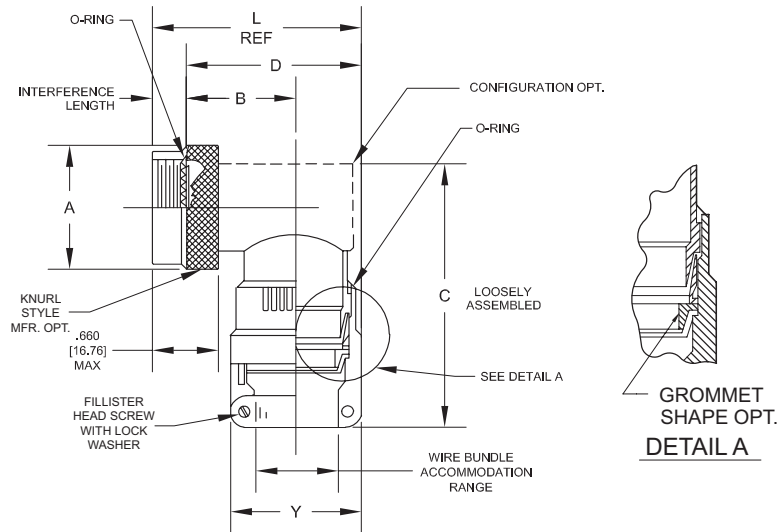
**FINISH/MATERIAL**

See Table III below.

**TABLE I**

CLAMP SIZE	WIRE BUNDLE ACCOMMODATION RANGE		Y MAX.
	MIN.	MAX.	
01	.062 [1.57]	.125 [3.17]	.80 [20.32]
02	.125 [3.17]	.250 [6.35]	1.00 [25.40]
03	.250 [6.35]	.375 [9.52]	1.10 [27.94]
04	.375 [9.52]	.500 [12.70]	1.20 [30.48]
05	.500 [12.70]	.625 [15.87]	1.25 [31.75]
06	.625 [15.87]	.750 [19.05]	1.40 [35.56]
07	.750 [19.05]	.875 [22.22]	1.50 [38.10]
08	.875 [22.22]	1.000 [25.40]	1.65 [41.91]
09	1.000 [25.40]	1.125 [28.57]	1.75 [44.45]
10	1.125 [28.57]	1.250 [31.75]	1.90 [48.26]

Dimensions in brackets [ ] are in millimeters.



**TABLE II**

ACCESS. SHELL SIZE	FITS CONN. SHELL SIZE		CLAMP SIZE (SEE TABLE I)	A MAX. DIA OF COUPLING RING	B ±.062 [±1.57]	C ±.062 [±1.57]	D ±.062 [±1.57]	L REF
	SERIES I	SERIES II						
08	09	08	01 THRU 02	.75 [19.05]	.438 [11.13]	3.141 [79.78]	.968 [24.59]	1.32 [33.53]
10	11	10	01 THRU 03	.85 [21.59]	.533 [13.54]	3.261 [82.83]	1.10 [27.94]	1.45 [36.83]
12	13	12	02 THRU 04	1.00 [25.40]	.548 [13.92]	3.281 [83.34]	1.17 [29.72]	1.52 [38.61]
14	15	14	02 THRU 05	1.15 [29.21]	.638 [16.21]	3.351 [85.12]	1.29 [32.77]	1.64 [41.66]
16	17	16	02 THRU 06	1.25 [31.75]	.823 [20.90]	3.441 [87.40]	1.54 [39.12]	1.89 [48.01]
18	19	18	03 THRU 07	1.40 [35.56]	.913 [23.19]	3.611 [91.72]	1.69 [42.93]	2.04 [51.82]
20	21	20	03 THRU 08	1.55 [39.37]	.913 [23.19]	3.611 [91.72]	1.76 [44.70]	2.11 [53.59]
22	23	22	03 THRU 09	1.65 [41.91]	1.063 [27.00]	3.721 [94.51]	1.97 [50.04]	2.32 [58.93]
24	25	24	04 THRU 10	1.85 [46.99]	1.063 [27.00]	3.721 [94.51]	2.03 [51.56]	2.38 [60.45]

Dimensions in brackets [ ] are in millimeters.

**TABLE III - AVAILABLE FINISHES**

CODE	DESCRIPTION	MATERIAL	TEMP. RANGE	EXCLUSIONS
<b>N</b>	Electroless nickel - In accordance with AMS-C-26074 or AMS 2404.	Aluminum Alloy	-65 to +200 °C	Not for Navy use.
<b>W</b>	Cadmium - Olive drab over suitable underplate, 1000 hour salt spray.		-65 to +175 °C	Not for use in space application.
<b>X</b>	Nickel fluorocarbon polymer. Nickel with fluorocarbon polymer additives over a suitable underplate to withstand 1000 hours of salt spray testing. Color shall be non-reflective. Final finish shall be electrically conductive.		-65 to +175 °C	
<b>Z</b>	Zinc nickel in accordance with ASTM B841 over suitable underplate to withstand 1000 hours of salt spray testing. Color shall be black, conductive, and non-reflective. Final finish shall be electrically conductive.		-65 to +175 °C	



# SECTION 4D BACKSHELLS GROMMET NUTS

4D

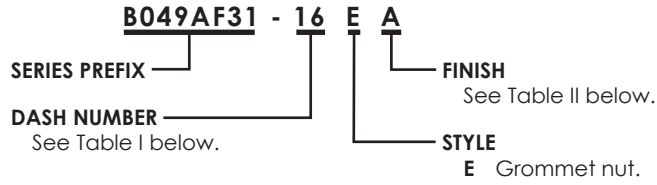


# GROMMET NUT

## B049AF31

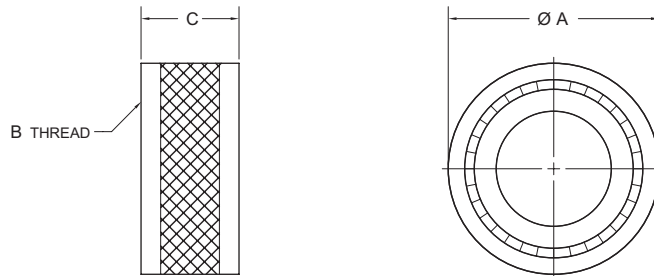
For **SC30**, **SC50** & **SC70** Series (AS50151 Crimp & MIL-DTL-26482 Series 2)

### ORDERING INFORMATION



**MATERIAL:** Aluminum Alloy

For self-locking version see next page.



**TABLE I**

DASH NO.	CONNECTOR SHELL SIZE		ØA MAX STYLE E	B THREAD CLASS 2B	C MAX
	MIL-DTL-26482 SERIES 2	AS50151 CRIMP			
3	—	—	.669 [16.99]	.562-24 UNEF	.540 [13.72]
8	8	8S	.617 [15.67]	.500-20 UNF	.540 [13.72]
10	10	10S, 10SL	.734 [18.64]	.625-24 UNEF	.540 [13.72]
12	12	12S, 12	.858 [21.79]	.750-20 UNEF	.540 [13.72]
14	14	14S, 14	.984 [24.99]	.875-20 UNEF	.540 [13.72]
16	16	16S, 16	1.112 [28.24]	1.000-20 UNEF	.540 [13.72]
18	18	18	1.218 [30.94]	1.062-18 UNEF	.540 [13.72]
20	20	20	1.345 [34.16]	1.188-18 UNEF	.540 [13.72]
22	22	22	1.468 [37.29]	1.312-18 UNEF	.540 [13.72]
24	24	24	1.593 [40.46]	1.438-18 UNEF	.540 [13.72]
28	—	28	1.969 [50.01]	1.750-18 UNS	.702 [17.83]
32	—	32	2.219 [56.36]	2.000-18 UNS	.702 [17.83]
36	—	36	2.469 [62.71]	2.250-16 UN	.702 [17.83]
40	—	40	2.719 [69.06]	2.500-16 UN	.702 [17.83]
44	—	44	2.969 [75.41]	2.750-16 UN	.702 [17.83]
48	—	48	3.219 [81.76]	3.000-16 UN	.702 [17.83]

Dimensions in brackets [ ] are in millimeters.

**TABLE II - AVAILABLE FINISHES**

CODE	DESCRIPTION	TEMP. RANGE	EXCLUSIONS
<b>A</b>	Black anodize - In accordance with Class 2 of AMS-A-8625, Type II.	-65 to +175 °C	
<b>N</b>	Electroless nickel - In accordance with AMS-C-26074 or AMS 2404.	-65 to +200 °C	Not for Navy use.
<b>W</b>	Cadmium - Olive drab over suitable underplate, 1000 hour salt spray.	-65 to +175 °C	Not for use in space application.

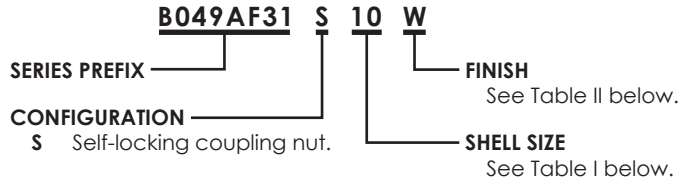


# SELF-LOCKING GROMMET NUT

B049AF31S

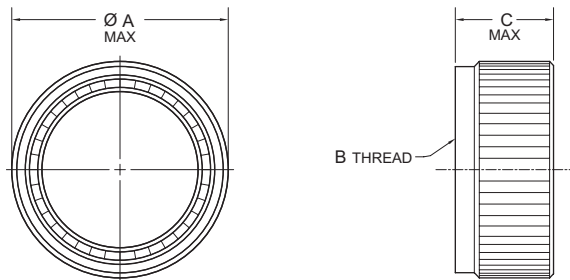
For **SC30, SC50 & SC70** Series (AS50151 Crimp & MIL-DTL-26482 Series 2)

## ORDERING INFORMATION



**MATERIAL:** Aluminum Alloy

For non-self-locking version see previous page.



**TABLE I**

DASH NO.	CONNECTOR SHELL SIZE		ØA MAX	B THREAD CLASS 2B	C MAX
	MIL-DTL-26482 SERIES 2	AS50151 CRIMP			
8	8	8S	.855 [21.72]	.500-20 UNF	.710 [18.03]
10	10	10S, 10SL	1.010 [25.65]	.625-24 UNEF	.710 [18.03]
12	12	12S, 12	1.135 [28.83]	.750-20 UNEF	.710 [18.03]
14	14	14S, 14	1.260 [32.00]	.875-20 UNEF	.710 [18.03]
16	16	16S, 16	1.385 [35.18]	1.000-20 UNEF	.710 [18.03]
18	18	18	1.510 [38.35]	1.062-18 UNEF	.710 [18.03]
20	20	20	1.635 [41.53]	1.188-18 UNEF	.710 [18.03]
22	22	22	1.760 [44.70]	1.312-18 UNEF	.710 [18.03]
24	24	24	1.885 [47.88]	1.438-18 UNEF	.710 [18.03]
28	—	28	2.135 [54.23]	1.750-18 UNS	.890 [22.61]
32	—	32	2.395 [60.83]	2.000-18 UNS	.890 [22.61]
36	—	36	2.635 [66.93]	2.250-16 UN	.890 [22.61]
40	—	40	2.885 [73.28]	2.500-16 UN	.890 [22.61]
44	—	44	3.135 [79.63]	2.750-16 UN	.890 [22.61]
48	—	48	3.385 [85.98]	3.000-16 UN	.890 [22.61]

Dimensions in brackets [ ] are in millimeters.

**TABLE II - AVAILABLE FINISHES**

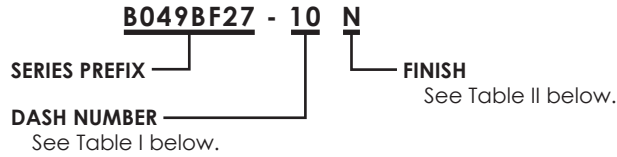
CODE	DESCRIPTION	TEMP. RANGE	EXCLUSIONS
<b>A</b>	Black anodize - In accordance with Class 2 of AMS-A-8625, Type II.	-65 to +175 °C	
<b>N</b>	Electroless nickel - In accordance with AMS-C-26074 or AMS 2404.	-65 to +200 °C	Not for Navy use.
<b>W</b>	Cadmium - Olive drab over suitable underplate, 1000 hour salt spray.	-65 to +175 °C	Not for use in space application.

# GROMMET NUT

B049BF27

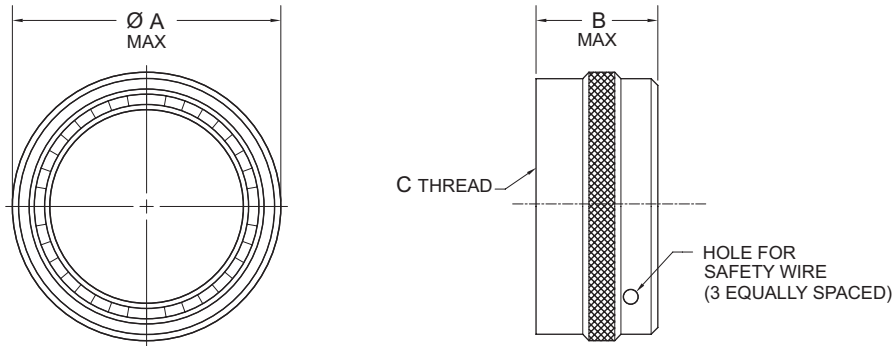
For **SC1\*** & **SC2\*** Series (MIL-DTL-38999 Series I & II)

## ORDERING INFORMATION



**MATERIAL:** Aluminum Alloy

For self-locking version see next page.



**TABLE I**

DASH NUMBER	SHELL SIZE		A MAX	B MAX	C THREAD CLASS 2B UNEF
	SERIES I	SERIES II			
8	9	8	.75 [19.05]	.540 [13.72]	.4375-28
10	11	10	.85 [21.59]	.540 [13.72]	.5625-24
12	13	12	1.00 [25.40]	.540 [13.72]	.6875-24
14	15	14	1.10 [27.94]	.540 [13.72]	.8125-20
16	17	16	1.25 [31.75]	.540 [13.72]	.9375-20
18	19	18	1.40 [35.56]	.540 [13.72]	1.0625-18
20	21	20	1.50 [38.10]	.540 [13.72]	1.1875-18
22	23	22	1.65 [41.91]	.540 [13.72]	1.3125-18
24	25	24	1.75 [44.45]	.540 [13.72]	1.4375-18

Dimensions in brackets [ ] are in millimeters.

**TABLE II - AVAILABLE FINISHES**

CODE	DESCRIPTION	TEMP. RANGE	EXCLUSIONS
<b>N</b>	Electroless nickel - In accordance with AMS-C-26074 or AMS 2404.	-65 to +200 °C	Not for Navy use.
<b>W</b>	Cadmium - Olive drab over suitable underplate, 1000 hour salt spray.	-65 to +175 °C	Not for use in space application.

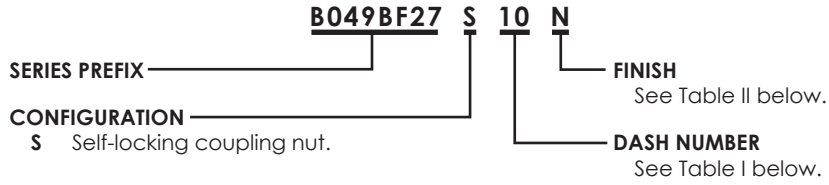


# SELF-LOCKING GROMMET NUT

B049BF27S

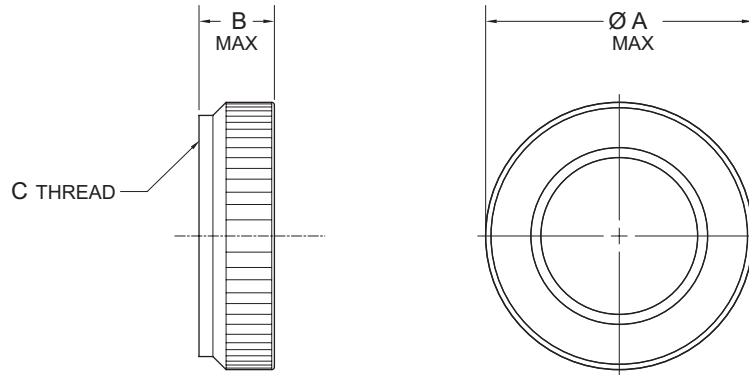
For **SC1\*** & **SC2\*** Series (MIL-DTL-38999 Series I & II)

## ORDERING INFORMATION



**MATERIAL:** Aluminum Alloy

For non-self-locking version see previous page.



4D

**TABLE I**

DASH NUMBER	SHELL SIZE		A MAX	B MAX	C THREAD CLASS 2B UNEF
	SERIES I	SERIES II			
8	9	8	.859 [21.82]	.590 [14.99]	.4375-28
10	11	10	.984 [24.99]	.590 [14.99]	.5625-24
12	13	12	1.156 [29.36]	.590 [14.99]	.6875-24
14	15	14	1.281 [32.54]	.590 [14.99]	.8125-20
16	17	16	1.406 [35.71]	.590 [14.99]	.9375-20
18	19	18	1.516 [38.51]	.590 [14.99]	1.0625-18
20	21	20	1.641 [41.68]	.590 [14.99]	1.1875-18
22	23	22	1.766 [44.86]	.590 [14.99]	1.3125-18
24	25	24	1.891 [48.03]	.590 [14.99]	1.4375-18

Dimensions in brackets [ ] are in millimeters.

**TABLE II - AVAILABLE FINISHES**

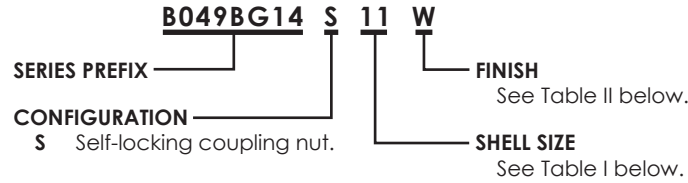
CODE	DESCRIPTION	TEMP. RANGE	EXCLUSIONS
<b>N</b>	Electroless nickel - In accordance with AMS-C-26074 or AMS 2404.	-65 to +200 °C	Not for Navy use.
<b>W</b>	Cadmium - Olive drab over suitable underplate, 1000 hour salt spray.	-65 to +175 °C	Not for use in space application.

# GROMMET NUT

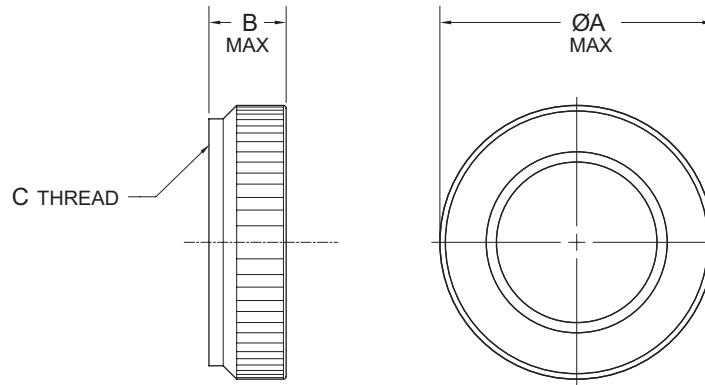
## B049BG14S

For **SC3\*** Series (MIL-DTL-38999 Series III)

### ORDERING INFORMATION



**MATERIAL:** Aluminum Alloy



**TABLE I**

SHELL SIZE	SHELL SIZE CODE SERIES III & IV	A MAX	B MAX	C THREAD METRIC R.H. CLASS 6H
9	A	.858 [21.79]	.660 [16.76]	M12x1.0-0.100R
11	B	.984 [24.99]	.660 [16.76]	M15x1.0-0.100R
13	C	1.157 [29.39]	.660 [16.76]	M18x1.0-0.100R
15	D	1.279 [32.49]	.660 [16.76]	M22x1.0-0.100R
17	E	1.406 [35.71]	.660 [16.76]	M25x1.0-0.100R
19	F	1.516 [38.51]	.660 [16.76]	M28x1.0-0.100R
21	G	1.642 [41.71]	.660 [16.76]	M31 x1.0-0.100R
23	H	1.768 [44.91]	.660 [16.76]	M34x1.0-0.100R
25	J	1.889 [47.98]	.660 [16.76]	M37x1.0-0.100R

Dimensions in brackets [ ] are in millimeters.

**TABLE II - AVAILABLE FINISHES**

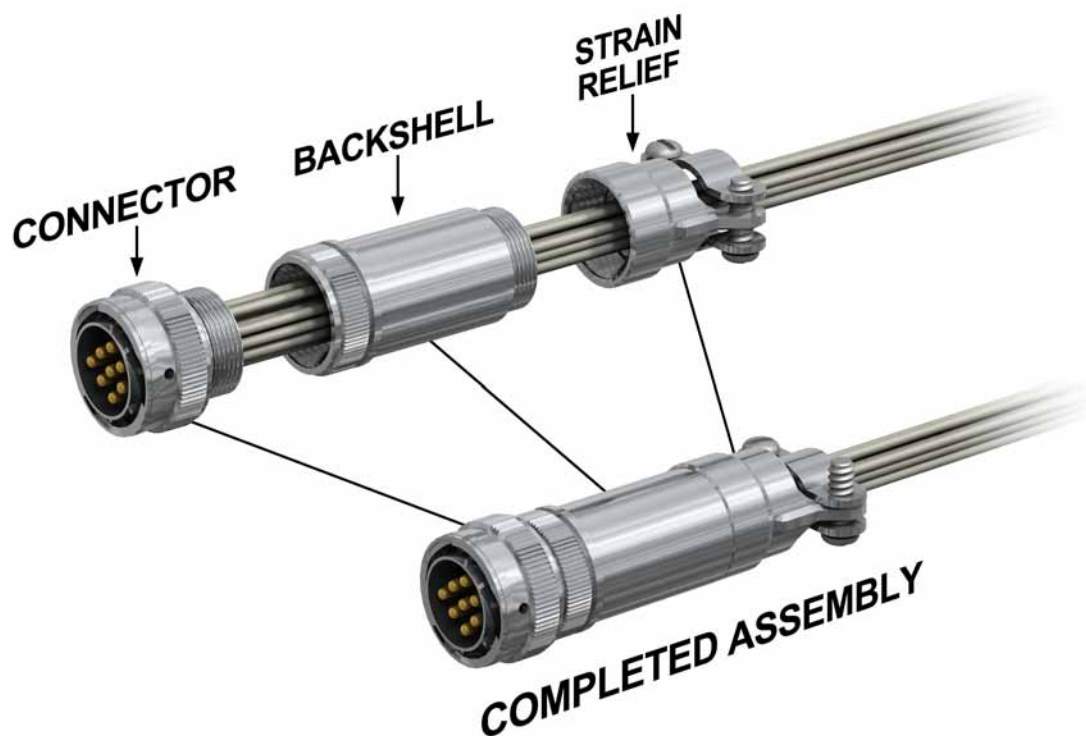
CODE	DESCRIPTION	TEMP. RANGE	EXCLUSIONS
<b>N</b>	Electroless nickel - In accordance with AMS-C-26074 or AMS 2404.	-65 to +200 °C	Not for Navy use.
<b>W</b>	Cadmium - Olive drab over suitable underplate, 1000 hour salt spray.	-65 to +175 °C	Not for use in space application.
<b>X</b>	Nickel fluorocarbon polymer. Nickel with fluorocarbon polymer additives over a suitable underplate to withstand 1000 hours of salt spray testing. Color shall be non-reflective. Final finish shall be electrically conductive.	-65 to +175 °C	
<b>Y</b>	Pure dense electrodeposited aluminum in accordance with MIL-DTL-83488, Type II, to withstand 500 hours of salt spray testing. Color shall be non-reflective. Final finish shall be electrically conductive.	-65 to +175 °C	Not for use on shield termination type connector accessories.
<b>Z</b>	Zinc nickel in accordance with ASTM B841 over suitable underplate to withstand 1000 hours of salt spray testing. Color shall be black, conductive, and non-reflective. Final finish shall be electrically conductive.	-65 to +175 °C	



# SECTION 5D

## BACKSHELLS

### NON-ENVIRONMENTAL



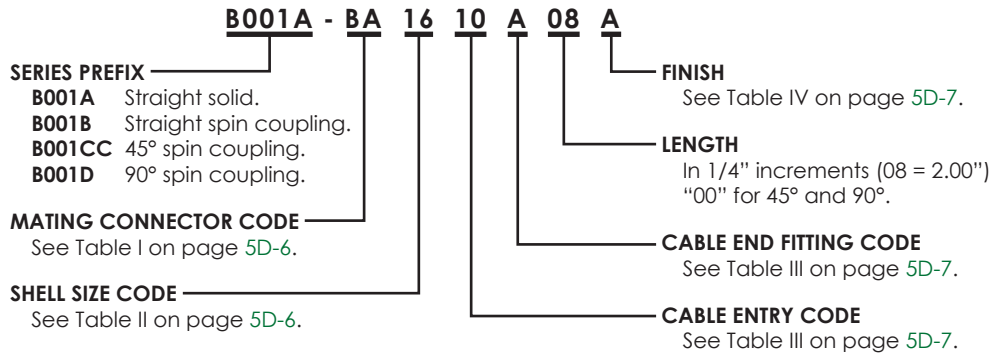
Typical Non-Environmental Backshell Assembly

# STRAIGHT, 45° & 90° BACKSHELL NON-ENVIRONMENTAL

B001A, B001B, B001CC, B001D

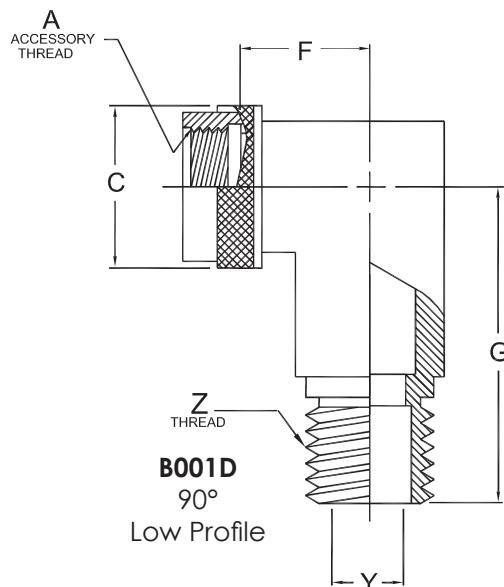
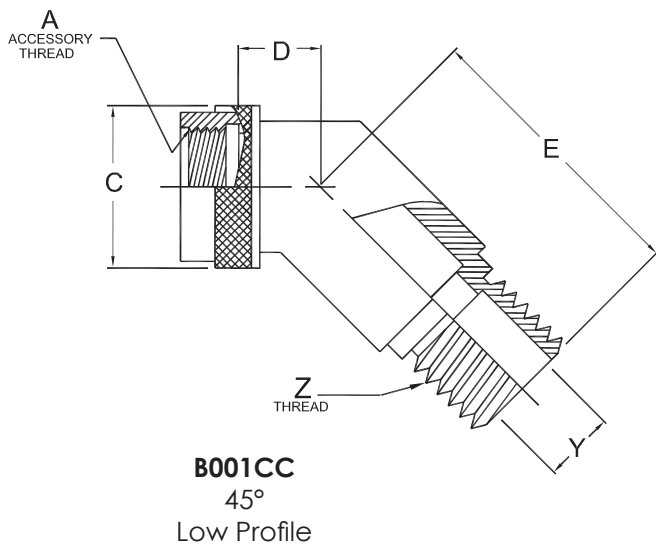
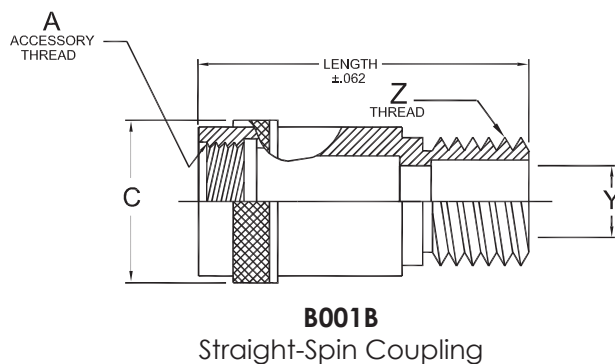
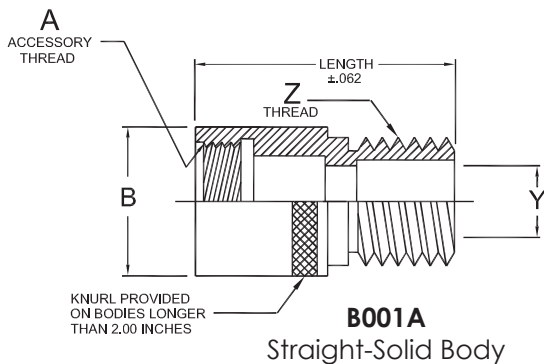
Various Series. See Table I on Page 5D-6.

## ORDERING INFORMATION



An interfacial adapter will be supplied when maximum cable entry exceeds the connector insert diameter. See page 5D-4.

For dimensions Y and Z, see Table III on page 5D-7.





# STRAIGHT, 45° & 90° BACKSHELL NON-ENVIRONMENTAL

B001A, B001B, B001CC, B001D

A ACCESSORY THREAD	MATES WITH SHELL SIZE BELOW BY CONNECTOR CODE								B MAX.	C MAX.	D MAX.	E MAX.	F MAX.	G MAX.	
	AB	AF	AK	AM	BA	BB	BF								BG
			SWLD†	SWL†			SERIES								
	*1	*2			I	II	III								
.375-32UNEF	8S								.531	.688	.500	1.000	.750	1.125	
.438-28UNEF					8		9	8	.594	.688	.500	1.000	.750	1.125	
.500-20UNF		8 & 8S							.656	.617	.500	1.000	.750	1.125	
.500-28UNEF	10S			10					.656	.850	.500	1.000	.750	1.188	
M12x 1.0								9	.656	.688	.750	1.031	1.000	1.250	
.562-24UNEF					10		11	10	.719	.812	.750	1.031	1.000	1.250	
.625-24UNEF	10SL, 12 & 12S	10, 10S & 10SL		12		8			.781	.875	.750	1.031	1.000	1.250	
M15x 1.0								11	.781	.812	.750	1.062	1.000	1.312	
.688-24UNEF					12		13	12	.844	.938	.812	1.062	1.062	1.312	
.750-20UNEF	14 & 14S	12 & 12S	12	14		10			.906	1.000	.812	1.062	1.062	1.312	
M18x 1.0								13	.906	.938	.812	1.125	1.062	1.312	
.812-20UNEF					14		15	14	.969	1.062	.812	1.125	1.062	1.375	
.875-20UNEF	16 & 16S	14 & 14S	14	16		12			1.031	1.125	.812	1.125	1.062	1.375	
M22x 1.0								15	1.031	1.062	.812	1.188	1.062	1.438	
.938-20UNEF					16		17	16	1.094	1.188	.844	1.188	1.125	1.438	
1.000-20UNEF	18	16 & 16S	16	18		14			1.156	1.250	.844	1.188	1.125	1.438	
M25x 1.0								17	1.156	1.188	.844	1.188	1.125	1.500	
1.062-18UNEF		18			18		19	18	1.219	1.312	.875	1.188	1.188	1.500	
1.125-18UNEF	20		18	20		16			1.281	1.375	.875	1.188	1.188	1.562	
M28x 1.0								19	1.281	1.312	.875	1.188	1.188	1.562	
1.188-18UNEF		20			20		21	20	1.344	1.438	.938	1.188	1.250	1.562	
1.250-18UNEF	22		20	22		18			1.406	1.500	.938	1.188	1.250	1.625	
M31 x 1.0								21	1.406	1.438	.938	1.250	1.250	1.625	
1.312-18UNEF		22			22		23	22	1.469	1.562	.938	1.250	1.250	1.625	
1.375-18UNEF	24		22	24		20			1.531	1.625	.938	1.250	1.250	1.625	
M34x 1.0								23	1.531	1.562	.938	1.312	1.250	1.750	
1.438-18UNEF		24			24		25	24	1.594	1.688	1.000	1.312	1.375	1.750	
1.500-18UNEF						22			1.656	1.688	1.000	1.312	1.375	1.750	
M37x 1.0								25	1.656	1.688	1.000	1.312	1.375	1.750	
1.625-18UNEF	28		24	28		24			1.844	1.969	1.000	1.312	1.375	1.750	
1.750-18UNS		28							1.969	2.094	1.000	1.438	1.375	1.812	
1.875-16UN	32		28	32					2.094	2.219	1.125	1.438	1.500	1.812	
2.000-18UNS		32							2.219	2.344	1.125	1.438	1.500	1.812	
2.062-16UNS	36		32	36					2.281	2.406	1.125	1.500	1.500	2.125	
2.250-16UN		36							2.469	2.594	1.125	1.500	1.500	2.250	
2.312-16UNS	40		36	40					2.531	2.656	1.250	1.500	1.625	2.250	
2.500-16UN		40							2.719	2.844	1.250	1.500	1.500	2.250	
2.625-16UN			40	44					2.844	2.969	1.250	1.500	1.625	2.375	
2.750-16UN		44							2.969	2.969	1.250	1.500	1.625	2.375	
2.875-16UN			44	48					3.094	3.281	1.250	1.500	1.625	2.375	
3.000-16UN		48							3.219	2.406	1.250	1.500	1.625	2.375	

\* 1 - Shell Sizes I, A, W, AS50151 (Crimp), MIL-DTL-26482 (Series 2)

\* 2 - Shell Sizes I, A, W, MIL-DTL-22992 Class C, J & R

† Left hand threads

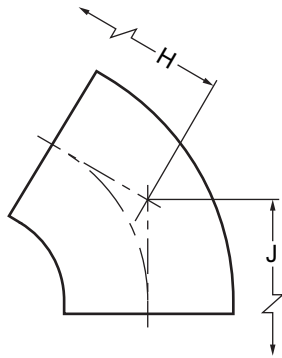
5D

# CONFIGURATIONS

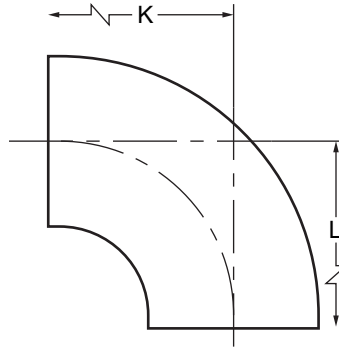
## CONFIGURATION CODES

CODE					DESCRIPTION
STRAIGHT	45°	45° BENT TUBE	90°	90° BENT TUBE	
A					Solid body
B	CC	C	D	H	Round non-locking nut, .032" safety wire holes
E	FF	F	G	K	Hex non-locking nut, .032 safety wire holes

## BENT TUBE CONFIGURATIONS

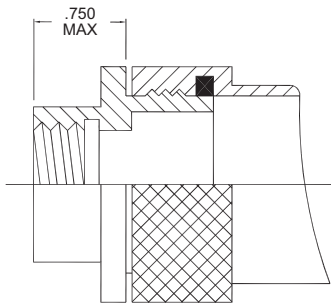


**45°  
Bent Tube**

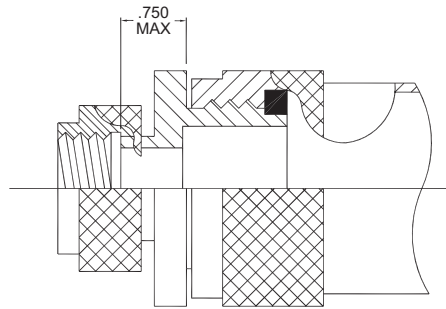


**90°  
Bent Tube**

## INTERFACIAL ADAPTER CONFIGURATIONS



**Straight Solid  
Configuration**



**Straight 45° & 90°  
Spin Configuration**

# BENT TUBE DIMENSIONS

A ACCESSORY THREAD	MATES WITH SHELL SIZE BELOW BY CONNECTOR CODE									H MAX.	J MAX.	K MAX.	L MAX.
	AB	AF	AK	AM	BA	BB	BF		BG				
			SWLD†	SWL†			SERIES						
			*1	*2			I	II	III				
.375-32UNEF	8S									.812	.875	1.125	1.188
.438-28UNEF					8		9	8		.812	.875	1.125	1.188
.500-20UNF		8 & 8S								.812	.875	1.125	1.188
.500-28UNEF	10S			10						.812	.875	1.125	1.188
M12x 1.0									9	.812	.875	1.125	1.188
.562-24UNEF					10		11	10		.875	.938	1.250	1.312
.625-24UNEF	10SL, 12 & 12S	10, 10S & 10SL		12		8				.875	.938	1.250	1.312
M15x 1.0									11	.875	.938	1.250	1.312
.688-24UNEF					12		13	12		.938	1.000	1.375	1.438
.750-20UNEF	14 & 14S	12 & 12S	12	14		10				.938	1.000	1.375	1.438
M18x 1.0									13	.938	1.000	1.375	1.438
.812-20UNEF					14		15	14		1.000	1.062	1.500	1.562
.875-20UNEF	16 & 16S	14 & 14S	14	16		12				1.000	1.062	1.500	1.562
M22x 1.0									15	1.000	1.062	1.500	1.562
.938-20UNEF					16		17	16		1.062	1.125	1.625	1.688
1.000-20UNEF	18	16 & 16S	16	18		14				1.062	1.125	1.625	1.688
M25x 1.0									17	1.062	1.125	1.625	1.688
1.062-18UNEF		18			18		19	18		1.094	1.156	1.750	1.812
1.125-18UNEF	20		18	20		16				1.094	1.156	1.750	1.812
M28x 1.0									19	1.094	1.156	1.750	1.812
1.188-18UNEF		20			20		21	20		1.156	1.219	1.875	1.938
1.250-18UNEF	22		20	22		18				1.156	1.219	1.875	1.938
M31 x 1.0									21	1.156	1.219	1.875	1.938
1.312-18UNEF		22			22		23	22		1.188	1.250	2.000	2.062
1.375-18UNEF	24		22	24		20				1.188	1.250	2.000	2.062
M34x 1.0									23	1.188	1.250	2.000	2.062
1.438-18UNEF		24			24		25	24		1.250	1.312	2.125	2.188
1.500-18UNEF						22				1.250	1.312	2.125	2.188
M37x 1.0									25	1.250	1.312	2.125	2.188
1.625-18UNEF	28		24	28		24				1.344	1.625	2.375	2.625
1.750-18UNS		28								1.344	1.625	2.375	2.625
1.875-16UN	32		28	32						1.438	1.812	2.625	3.000
2.000-18UNS		32								1.438	1.812	2.625	3.000
2.062-16UNS	36		32	36						1.562	1.938	2.875	3.250
2.250-16UN		36								1.562	1.938	2.875	3.250
2.312-16UNS	40		36	40						1.688	2.062	3.125	3.500
2.500-16UN		40								1.688	2.062	3.125	3.500
2.625-16UN			40	44						1.750	2.188	3.375	3.812
2.750-16UN		44								1.750	2.188	3.375	3.812
2.875-16UN			44	48						1.875	2.312	3.625	4.062
3.000-16UN		48								1.875	2.312	3.625	4.062

\* 1 - Shell Sizes I, A, W, AS50151 (Crimp), MIL-DTL-26482 (Series 2)

\* 2 - Shell Sizes I, A, W, MIL-DTL-22992 Class C, J & R

† Left hand threads

5D

# MATING CONNECTOR CODES

**TABLE I. MATING CONNECTOR CODES**

CODE	CONNECTOR SPECIFICATION
<b>AB</b>	AS50151, Solder Contacts, and F80 Crimp, SCP and SCPB Series
<b>AF</b>	AS50151, Crimp Front or Rear Release Contacts SC30 thru SC39 and SC50 thru SC59 MIL-DTL-26482, Series 2, SCPT70 thru SCPT79
<b>AK</b>	MIL-DTL-22992, Class C & R, SWLD Series, SCP17343 thru SCP17347
<b>AM</b>	SWL Series
<b>BA</b>	MIL-DTL-26482 Series I, Solder or Crimp Front Release, SCPT and SCPC Series
<b>BB</b>	MIL-DTL-26482 Series I, Class E, F & P SCPT07* and SCPT07S*
<b>BF</b>	MIL-DTL-38999 Series I & II, SC1001, SC1466, SC1467, SC1468, SC1469, SC1470, SC1471, SC1496, SC1498, SC1505, SC1656, SC1662, SC2001, SC2472, SC2473, SC2474, SC2475, SC2476, SC2477, SC2478, SC2484, SC2497, SC2499, SC2508, SC2513
<b>BG</b>	MIL-DTL-38999, Series III, SC3920 thru SC3926

# SHELL SIZE CODES

**TABLE II. SHELL SIZE CODES**

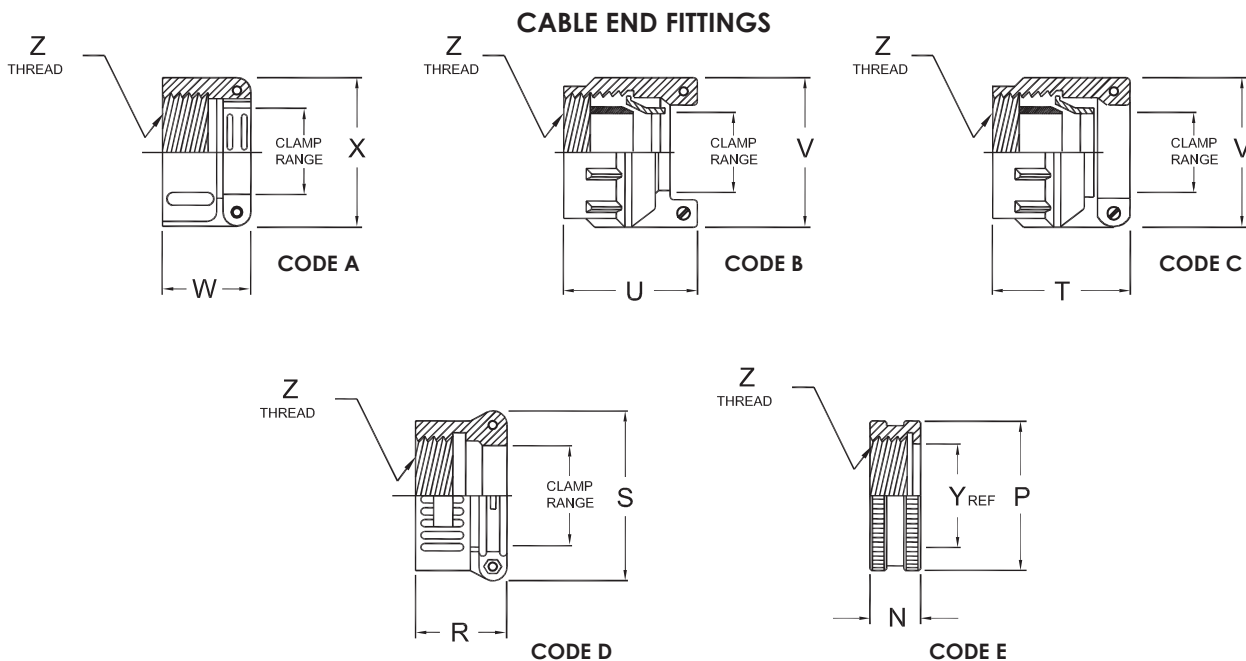
SHELL SIZE CODE	MATING CONNECTOR CODES									
	AB	AF	AK	AM	BA	BB	BF			BG
			SWLD	SWL			SERIES			
							I	II	III	
08	8S	8 & 8S			8	8	9	8		
09									9	
10	10S	10, 10S & 10SL		10	10	10	11	10		
11				12					11	
12	10SL, 12 & 12S	12 & 12S	12	14	12	12	13	12		
13									13	
14	14 & 14S	14 & 14S	14	16	14	14	15	14		
15									15	
16	16 & 16S	16 & 16S	16	18	16	16	17	16		
17									17	
18	18	18	18	20	18	18	19	18		
19									19	
20	20	20	20	22	20	20	21	20		
21									21	
22	22	22	22	24	22	22	23	22		
23									23	
24	24	24	24	28	24	24	25	24		
25									25	
28	28	28	28	32						
32	32	32	32	36						
36	36	36	36	40						
40	40	40	40	44						
44		44	44							
48		48	48							



# CABLE ENTRY & FINISH CODES

TABLE III. CABLE ENTRY CODE/CABLE END FITTING DIMENSIONS

CABLE ENTRY CODE	Z FITTING THREAD	Y REF.	END FITTING A				END FITTING B & C				END FITTING D				END FITTING E		
			X ±.031	W ±.031	CLAMP RANGE		V MAX.	U MAX.	T MAX.	CLAMP RANGE		S ±.020	R ±	CLAMP RANGE		P ±.016	N ±.016
					OPEN	CLOSED				OPEN	CLOSED			OPEN	CLOSED		
03	.500-28UNEF	.250	.812	.812	.250	.156	.812	1.031	1.031	.219	.094	-	-	-	-	.625	.438
04	.625-24UNEF	.312	.875	.812	.312	.188	.938	1.031	1.375	.312	.094	.938	1.281	.312	.125	.750	.438
06	.750-20UNEF	.438	1.062	.875	.438	.281	1.062	1.031	1.375	.438	.250	1.125	1.281	.438	.250	.875	.438
08	.875-20UNEF	.562	1.156	.938	.562	.344	1.188	1.031	1.375	.531	.312	1.312	1.281	.562	.312	1.031	.438
10	1.000-20UNEF	.625	1.250	.938	.625	.375	1.312	1.094	1.438	.625	.375	1.312	1.281	.625	.350	1.156	.438
12	1.188-18UNEF	.750	1.469	.938	.750	.438	1.562	1.219	1.438	.750	.500	1.531	1.312	.750	.500	1.344	.438
16	1.438-18UNEF	.938	1.688	1.031	.938	.562	1.750	1.219	1.562	.938	.594	1.750	1.406	.938	.625	1.564	.438
20	1.750-18UNS	1.250	2.031	1.094	1.250	.750	2.250	1.344	1.812	1.250	.938	2.094	1.594	1.250	.875	1.906	.500
24	2.000-18UNS	1.375	2.281	1.156	1.375	.781	2.375	1.547	2.062	1.375	.969	2.344	1.625	1.375	1.000	2.156	.562
28	2.250-16UN	1.625	2.688	1.688	1.625	.969	2.625	1.547	2.062	1.625	1.188	2.750	1.900	1.625	1.250	2.406	.562
32	2.500-16UN	1.875	2.938	1.750	1.875	1.125	2.812	1.734	2.188	1.875	1.375	3.000	1.900	1.875	1.438	2.656	.625
40	3.000-16UN	2.375	3.500	1.750	2.375	1.469	3.312	1.781	-	2.375	1.875	-	-	-	-	3.156	.688



5D

TABLE IV. FINISH CODES CONSULT FACTORY FOR OTHER AVAILABLE FINISHES

FINISH CODE	DESCRIPTION
A	Cadmium, Olive Drab, per QQ-P-416, Type II, Over Electroless Nickel, per MIL-C-26074 (1000 Hour Salt Spray Finish)
B	Cadmium, Black, per QQ-P-416, Type II, Class 3
C	Cadmium, Olive Drab, per QQ-P-416, Type II, Class 3
D	Cadmium - Yellow, per QQ-P-416, Type II Class 3, 48 Hours
E	Cadmium - Yellow Over Nickel, 48 Hours
F	Anodize, Sulphuric, Black, per MIL-A-8625, Type II, Class 2
G	Chromium Plate, per QQ-C-320, CLASS 2 A, Type II
H	Anodize, Hard, Black, per MIL-A-8625, Type III, Class 2
I	Chemical Film, per MIL-C-5541
J	Cadmium, Clear, per QQ-P-416, Type II Class 3
K	Nickel, Electro Deposited, per QQ-N-290, Class 2

FINISH CODE	DESCRIPTION
L	Zinc Cobalt, Color O.D. .000050
M	Zinc Cobalt, Color Black, .000050
N	Electroless Nickel, per MIL-C-26074, Class 4, Grade B
R	Anodize, Hard, Gray, per MIL-A-8625, Type III, Class 1
S	Anodize, Sulphuric, Gray, per MIL-A-8625, Type II, Class 1
T	Anodize, Hard Color Blue
U	Anodize, Hard Color Red
V	Anodize, Hard Color Yellow
X	Cadmium, Bright, per QQ-P-416, Type II, Over Electroless Nickel, per MIL-C-26074
Z	Anodize, Hard, Green, per MIL-A-8625, Type III, Class 1, Dichromate Seal

# STRAIGHT NON-ENVIRONMENTAL ADAPTER

B049BA34

For SCPT07E, SCPT07S\* Receptacles

## ORDERING INFORMATION

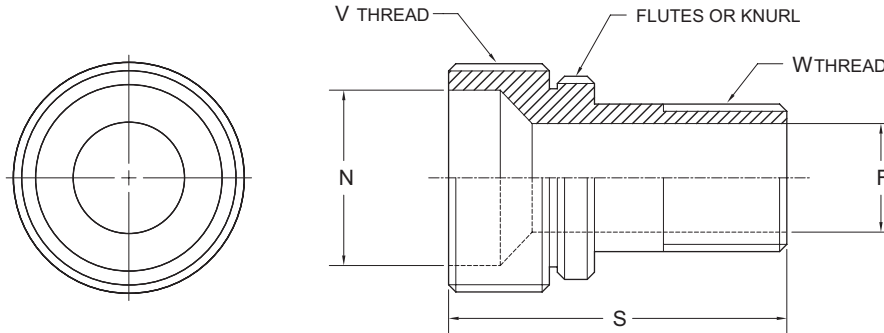
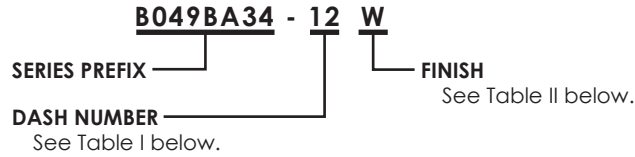


TABLE I

DASH NO.	MIL-DTL-26482 SERIES 1 SHELL SIZE	ØF +.005 -.001 [0.13] [-0.03]	ØN +.010 -.011 [0.25] [-0.28]	S MAX	THREAD UNEF CLASS 2A	
					V	W
8	8	.322 [8.18]	.500 [12.70]	.812 [20.62]	5/8-24	7/16-28
10	10	.439 [11.15]	.609 [15.47]	.812 [20.62]	3/4-20	9/16-24
12	12	.564 [14.33]	.734 [18.64]	.812 [20.62]	7/8-20	11/16-24
14	14	.668 [16.97]	.859 [21.82]	.812 [20.62]	1-20	13/16-20
16	16	.793 [20.14]	.969 [24.61]	.812 [20.62]	1 1/8-18	15/16-20
18	18	.910 [23.11]	1.109 [28.17]	.812 [20.62]	1 1/4-18	1 1/16-18
20	20	1.025 [26.03]	1.219 [30.96]	.906 [23.01]	1 3/8-18	1 3/16-18
22	22	1.150 [29.21]	1.344 [34.14]	.906 [23.01]	1 1/2-18	1 5/16-18
24	24	1.275 [32.38]	1.469 [37.31]	.937 [23.80]	1 5/8-18	1 7/16-18

Dimensions in brackets [ ] are in millimeters.

TABLE II - AVAILABLE FINISHES

CODE	DESCRIPTION	TEMP. RANGE	EXCLUSIONS
<b>W</b>	Cadmium - Olive drab over suitable underplate, 1000 hour salt spray.	-65 to +175 °C	Not for use in space application.
<b>X</b>	Nickel fluorocarbon polymer. Nickel with fluorocarbon polymer additives over a suitable underplate to withstand 1000 hours of salt spray testing. Color shall be non-reflective. Final finish shall be electrically conductive.	-65 to +175 °C	
<b>Y</b>	Pure dense electrodeposited aluminum in accordance with MIL-DTL-83488, Type II, to withstand 500 hours of salt spray testing. Color shall be non-reflective. Final finish shall be electrically conductive.	-65 to +175 °C	Not for use on shield termination type connector accessories.
<b>Z</b>	Zinc nickel in accordance with ASTM B841 over suitable underplate to withstand 1000 hours of salt spray testing. Color shall be black, conductive, and non-reflective. Final finish shall be electrically conductive.	-65 to +175 °C	



# STRAIGHT NON-ENVIRONMENTAL BACKSHELL WITH CABLE CLAMP

B049BF29

For **SC1\*** & **SC2\*** Series (MIL-DTL-38999 Series I & II)

## ORDERING INFORMATION

**B049BF29 - 10 N 10 A**

**SERIES PREFIX**

**DASH NUMBER**

See Table I.

**FINISH/MATERIAL**

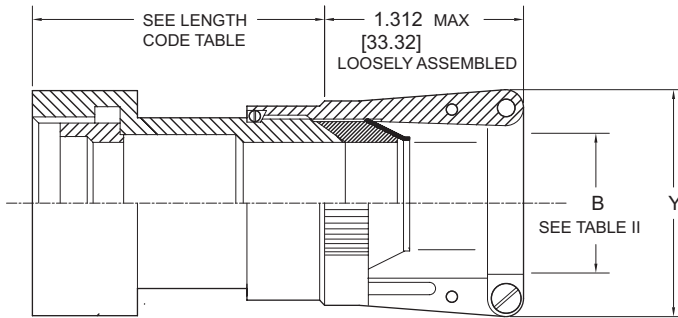
See Table III below.

**LENGTH**

CODE	SHELL SIZE	LENGTH One Piece Construction ±.032 [±0.81]
<b>BLANK</b>	8 thru 24	1.0 [25.4]
<b>A</b>	8 thru 24	2.0 [50.8]
<b>B</b>	14 thru 24	3.0 [76.2]
<b>C</b>	20 thru 24	4.0 [101.6]

**CLAMP SIZE**

See Table II below.



**TABLE II**

CLAMP SIZE	B CABLE RANGE		Y MAX
	MIN.	MAX.	
01	.062 [1.57]	.125 [3.17]	.781 [19.84]
02	.125 [3.17]	.250 [6.35]	.969 [24.61]
03	.250 [6.35]	.375 [9.52]	1.062 [26.97]
04	.312 [7.92]	.500 [12.70]	1.156 [29.36]
05	.437 [11.10]	.625 [15.87]	1.250 [31.75]
06	.562 [14.27]	.750 [19.05]	1.375 [34.92]
07	.687 [17.45]	.875 [22.22]	1.500 [38.10]
08	.812 [20.62]	1.000 [25.40]	1.625 [41.27]
09	.937 [23.80]	1.125 [28.57]	1.750 [44.45]
10	1.062 [26.97]	1.250 [31.75]	1.875 [47.62]

**TABLE I**

DASH NO.	CONNECTOR SHELL SIZE		CLAMP SIZE RANGE*	
	SERIES II	SERIES I	MIN.	MAX.
8	8	9	01	02
10	10	11	01	03
12	12	13	02	04
14	14	15	02	05
16	16	17	02	06
18	18	19	03	07
20	20	21	03	08
22	22	23	03	09
24	24	25	04	10

\* Clamp size range applicable to M85049/29 only.  
Dimensions in brackets [ ] are in millimeters.

**TABLE III - AVAILABLE FINISHES**

CODE	DESCRIPTION	MATERIAL	TEMP. RANGE	EXCLUSIONS
<b>A</b>	Black anodize - In accordance with Class 2 of AMS-A-8625, Type II.	Aluminum Alloy	-65 to +175 °C	
<b>N</b>	Electroless nickel - In accordance with AMS-C-26074 or AMS 2404.		-65 to +200 °C	Not for Navy use.
<b>W</b>	Cadmium - Olive drab over suitable underplate, 1000 hour salt spray.		-65 to +175 °C	Not for use in space application.
<b>X</b>	Nickel fluorocarbon polymer. Nickel with fluorocarbon polymer additives over a suitable underplate to withstand 1000 hours of salt spray testing. Color shall be non-reflective. Final finish shall be electrically conductive.		-65 to +175 °C	
<b>Y</b>	Pure dense electrodeposited aluminum in accordance with MIL-DTL-83488, Type II, to withstand 500 hours of salt spray testing. Color shall be non-reflective. Final finish shall be electrically conductive.		-65 to +175 °C	Not for use on shield termination type connector accessories.
<b>Z</b>	Zinc nickel in accordance with ASTM B841 over suitable underplate to withstand 1000 hours of salt spray testing. Color shall be black, conductive, and non-reflective. Final finish shall be electrically conductive.		-65 to +175 °C	

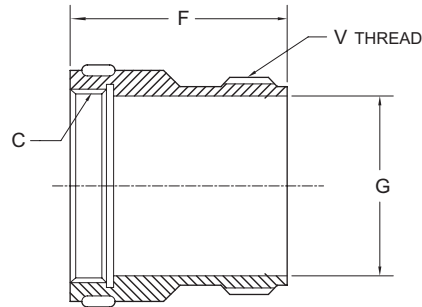
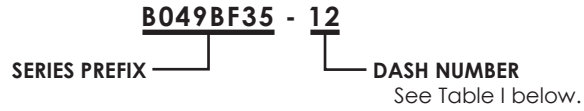


# STRAIGHT NON-ENVIRONMENTAL ADAPTER

B049BF35

For **SC1\*** & **SC2\*** Series (MIL-DTL-38999 Series I & II)

## ORDERING INFORMATION



**TABLE I**

DASH NO.	SHELL SIZE		C THREAD UNEF CLASS 2B	F MAX	ØG MIN	V THREAD UNEF CLASS 2A
	SERIES I	SERIES II				
8	9	8	7/16-28	.688 [17.48]	.281 [7.14]	1/2-28
10	11	10	9/16-24		.406 [10.31]	5/8-24
12	13	12	11/16-24		.531 [13.49]	3/4-20
14	15	14	13/16-20		.656 [16.66]	7/8-20
16	17	16	15/16-20		.781 [19.84]	1-20
18	19	18	1 1/16-18		.875 [22.22]	1 3/16-18
20	21	20	1 3/16-18	.750 [19.05]	1.000 [25.40]	1 7/16-18
22	23	22	1 5/16-18		1.125 [28.57]	
24	25	24	1 7/16-18		1.250 [31.75]	

Dimensions in brackets [ ] are in millimeters.

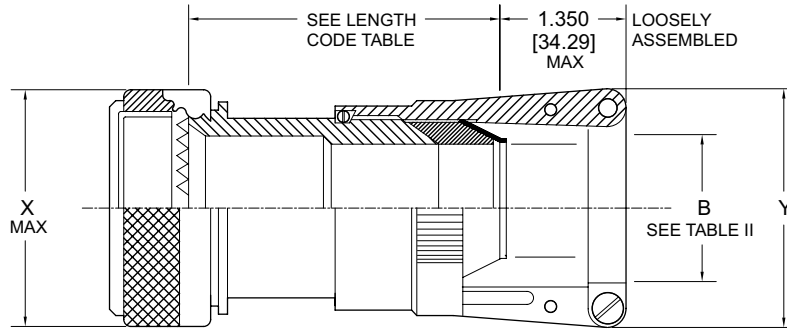
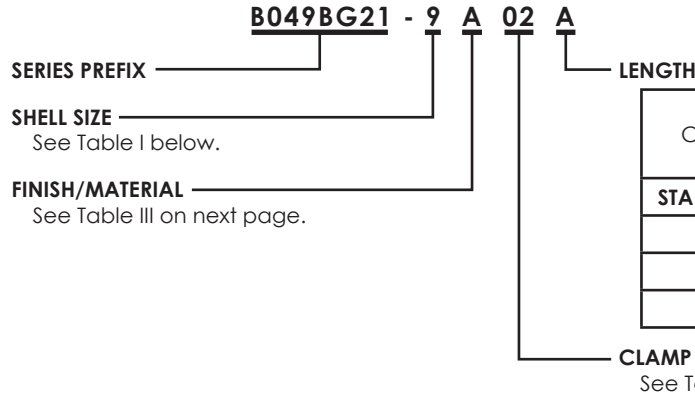


# STRAIGHT NON-ENVIRONMENTAL BACKSHELL WITH CABLE CLAMP

B049BG21

For **SC3\*** Series (MIL-DTL-38999 Series III)

## ORDERING INFORMATION



5D

TABLE I

SHELL SIZE	CLAMP SIZE		X MAX DIA OF COUPLING RING
	MIN.	MAX.	
9	01	02	.75 [19.05]
11	01	03	.85 [21.59]
13	02	04	1.00 [25.40]
15	02	05	1.10 [27.94]
17	02	06	1.25 [31.75]
19	03	07	1.40 [35.56]
21	03	08	1.50 [38.10]
23	03	09	1.65 [41.91]
25	04	10	1.75 [44.45]

Dimensions in brackets [ ] are in millimeters.

TABLE II

CLAMP SIZE	B CABLE RANGE		Y MAX
	MIN.	MAX.	
01	.062 [1.57]	.125 [3.17]	.80 [20.32]
02	.125 [3.17]	.250 [6.35]	1.000 [25.40]
03	.250 [6.35]	.375 [9.52]	1.10 [27.94]
04	.312 [7.92]	.500 [12.70]	1.20 [30.48]
05	.437 [11.10]	.625 [15.87]	1.250 [31.75]
06	.562 [14.27]	.750 [19.05]	1.40 [35.56]
07	.687 [17.45]	.875 [22.22]	1.500 [38.10]
08	.812 [20.62]	1.000 [25.40]	1.65 [41.91]
09	.937 [23.80]	1.125 [28.57]	1.750 [44.45]
10	1.062 [26.97]	1.250 [31.75]	1.90 [48.26]

Dimensions in brackets [ ] are in millimeters.

# STRAIGHT NON-ENVIRONMENTAL BACKSHELL WITH CABLE CLAMP

B049BG21

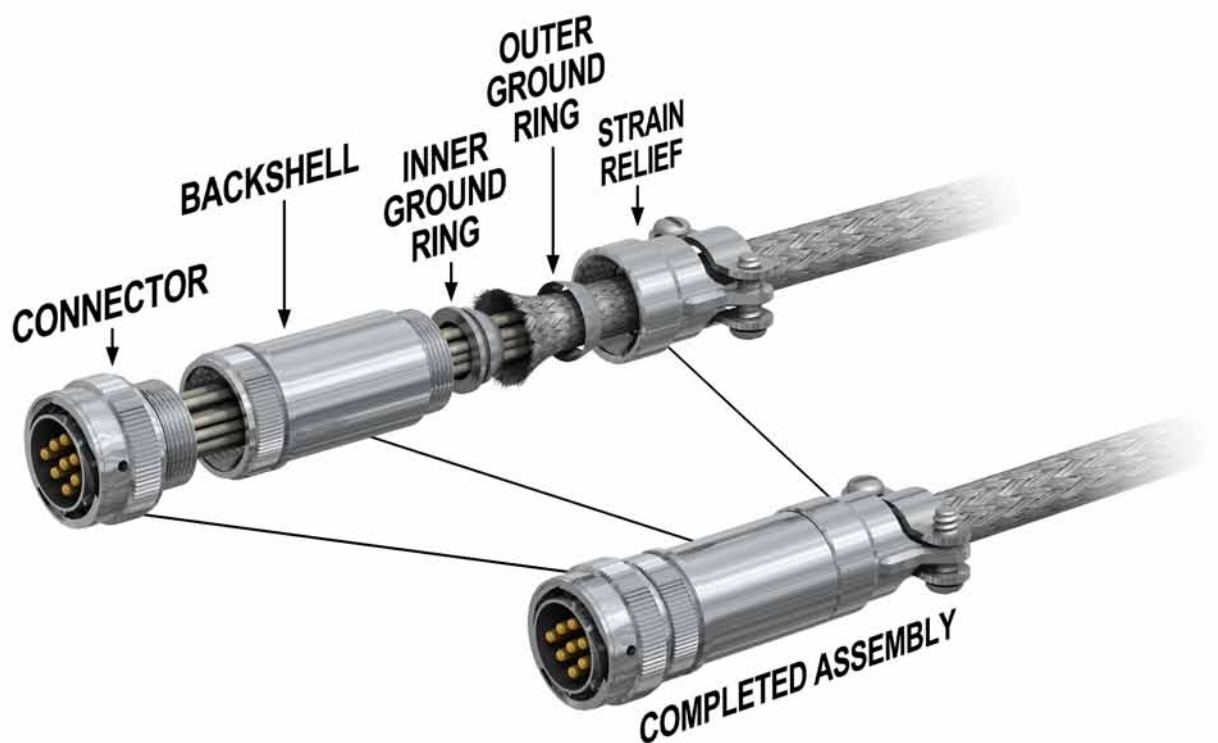
Ordering Information on Previous Page

**TABLE III - AVAILABLE FINISHES**

CODE	DESCRIPTION	MATERIAL	TEMP. RANGE	EXCLUSIONS
A	Black anodize - In accordance with Class 2 of AMS-A-8625, Type II.	Aluminum Alloy	-65 to +175 °C	
N	Electroless nickel - In accordance with AMS-C-26074 or AMS 2404.		-65 to +200 °C	Not for Navy use.
W	Cadmium - Olive drab over suitable underplate, 1000 hour salt spray.		-65 to +175 °C	Not for use in space application.
X	Nickel fluorocarbon polymer. Nickel with fluorocarbon polymer additives over a suitable underplate to withstand 1000 hours of salt spray testing. Color shall be non-reflective. Final finish shall be electrically conductive.		-65 to +175 °C	
Y	Pure dense electrodeposited aluminum in accordance with MIL-DTL-83488, Type II, to withstand 500 hours of salt spray testing. Color shall be non-reflective. Final finish shall be electrically conductive.		-65 to +175 °C	Not for use on shield termination type connector accessories.
Z	Zinc nickel in accordance with ASTM B841 over suitable underplate to withstand 1000 hours of salt spray testing. Color shall be black, conductive, and non-reflective. Final finish shall be electrically conductive.		-65 to +175 °C	



# SECTION 6D BACKSHELLS NON-ENVIRONMENTAL EMI/RFI



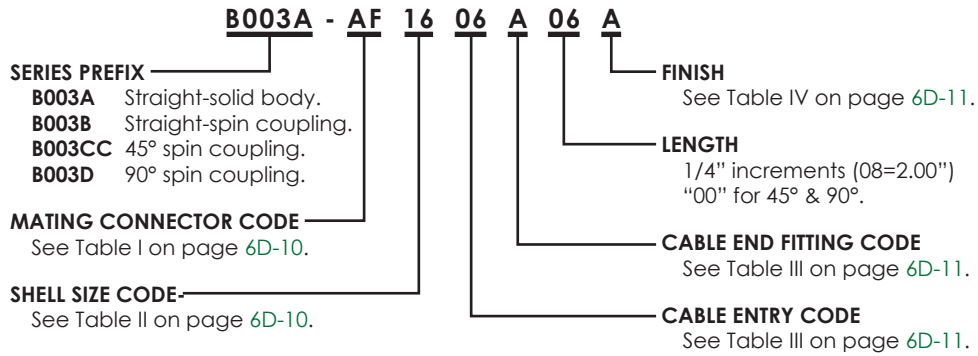
Typical Non-Environmental EMI/RFI Backshell Assembly

# STRAIGHT, 45° & 90° NON-ENVIRONMENTAL EMI/RFI BACKSHELL WITH CONE TERMINATION

B003A, B003B, B003CC, B003D

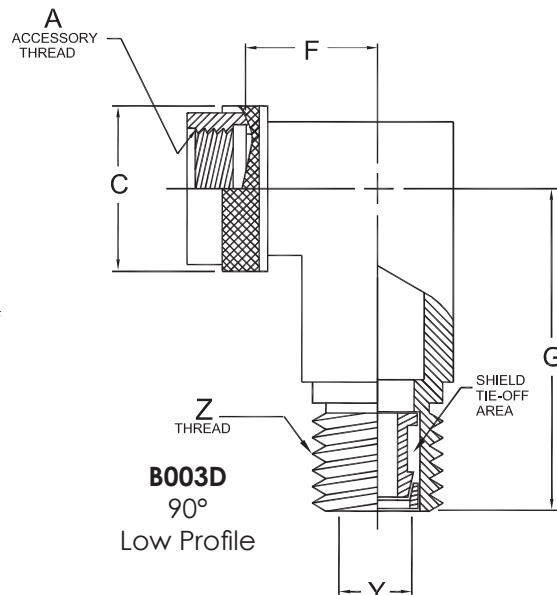
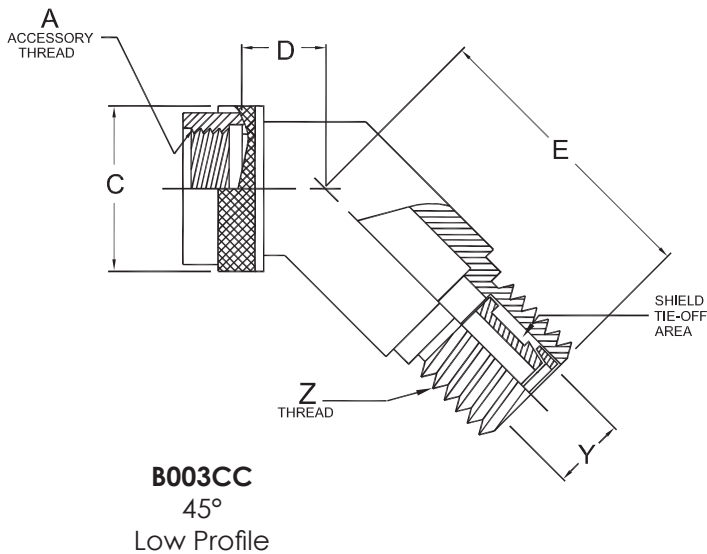
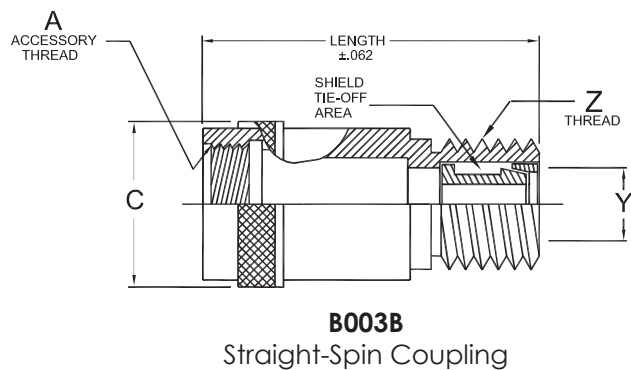
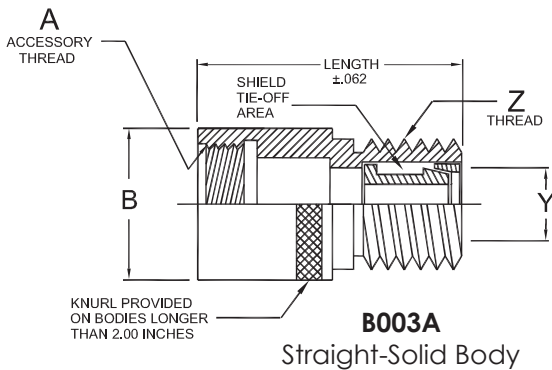
Various Series. See Table I on Page 6D-10.

## ORDERING INFORMATION



An interfacial adapter will be supplied when maximum cable entry exceeds the connector insert diameter. See page 6D-8.

For dimensions Y and Z see Table III on Page 6D-11.



# STRAIGHT, 45° & 90° NON-ENVIRONMENTAL EMI/RFI BACKSHELL WITH CONE TERMINATION

B003A, B003B, B003CC, B003D

A ACCESSORY THREAD	MATES WITH SHELL SIZE BELOW BY CONNECTOR CODE								B MAX.	C MAX.	D MAX.	E MAX.	F MAX.	G MAX.	
	AB	AF	AK	AM	BA	BB	BF								BG
			SWLD†	SWL†			SERIES								
	*1	*2			I	II	III								
.375-32UNEF	8S								.531	.688	.500	1.000	.750	1.125	
.438-28UNEF					8		9	8	.594	.688	.500	1.000	.750	1.125	
.500-20UNF		8 & 8S							.656	.617	.500	1.000	.750	1.125	
.500-28UNEF	10S			10					.656	.850	.500	1.000	.750	1.188	
M12x 1.0								9	.656	.688	.750	1.031	1.000	1.250	
.562-24UNEF					10		11	10	.719	.812	.750	1.031	1.000	1.250	
.625-24UNEF	10SL, 12 & 12S	10, 10S & 10SL		12		8			.781	.875	.750	1.031	1.000	1.250	
M15x 1.0								11	.781	.812	.750	1.062	1.000	1.312	
.688-24UNEF					12		13	12	.844	.938	.812	1.062	1.062	1.312	
.750-20UNEF	14 & 14S	12 & 12S	12	14		10			.906	1.000	.812	1.062	1.062	1.312	
M18x 1.0								13	.906	.938	.812	1.125	1.062	1.312	
.812-20UNEF					14		15	14	.969	1.062	.812	1.125	1.062	1.375	
.875-20UNEF	16 & 16S	14 & 14S	14	16		12			1.031	1.125	.812	1.125	1.062	1.375	
M22x 1.0								15	1.031	1.062	.812	1.188	1.062	1.438	
.938-20UNEF					16		17	16	1.094	1.188	.844	1.188	1.125	1.438	
1.000-20UNEF	18	16 & 16S	16	18		14			1.156	1.250	.844	1.188	1.125	1.438	
M25x 1.0								17	1.156	1.188	.844	1.188	1.125	1.500	
1.062-18UNEF		18			18		19	18	1.219	1.312	.875	1.188	1.188	1.500	
1.125-18UNEF	20		18	20		16			1.281	1.375	.875	1.188	1.188	1.562	
M28x 1.0								19	1.281	1.312	.875	1.188	1.188	1.562	
1.188-18UNEF		20			20		21	20	1.344	1.438	.938	1.188	1.250	1.562	
1.250-18UNEF	22		20	22		18			1.406	1.500	.938	1.188	1.250	1.625	
M31 x 1.0								21	1.406	1.438	.938	1.250	1.250	1.625	
1.312-18UNEF		22			22		23	22	1.469	1.562	.938	1.250	1.250	1.625	
1.375-18UNEF	24		22	24		20			1.531	1.625	.938	1.250	1.250	1.625	
M34x 1.0								23	1.531	1.562	.938	1.312	1.250	1.750	
1.438-18UNEF		24			24		25	24	1.594	1.688	1.000	1.312	1.375	1.750	
1.500-18UNEF						22			1.656	1.688	1.000	1.312	1.375	1.750	
M37x 1.0								25	1.656	1.688	1.000	1.312	1.375	1.750	
1.625-18UNEF	28		24	28		24			1.844	1.969	1.000	1.312	1.375	1.750	
1.750-18UNS		28							1.969	2.094	1.000	1.438	1.375	1.812	
1.875-16UN	32		28	32					2.094	2.219	1.125	1.438	1.500	1.812	
2.000-18UNS		32							2.219	2.344	1.125	1.438	1.500	1.812	
2.062-16UNS	36		32	36					2.281	2.406	1.125	1.500	1.500	2.125	
2.250-16UN		36							2.469	2.594	1.125	1.500	1.500	2.250	
2.312-16UNS	40		36	40					2.531	2.656	1.250	1.500	1.625	2.250	
2.500-16UN		40							2.719	2.844	1.250	1.500	1.500	2.250	
2.625-16UN			40	44					2.844	2.969	1.250	1.500	1.625	2.375	
2.750-16UN		44							2.969	2.969	1.250	1.500	1.625	2.375	
2.875-16UN			44	48					3.094	3.281	1.250	1.500	1.625	2.375	
3.000-16UN		48							3.219	2.406	1.250	1.500	1.625	2.375	

\* 1 - Shell Sizes I, A, W, AS50151 (Crimp), MIL-DTL-26482 (Series 2)  
 \* 2 - Shell Sizes I, A, W, MIL-DTL-22992 Class C, J & R  
 † Left hand threads

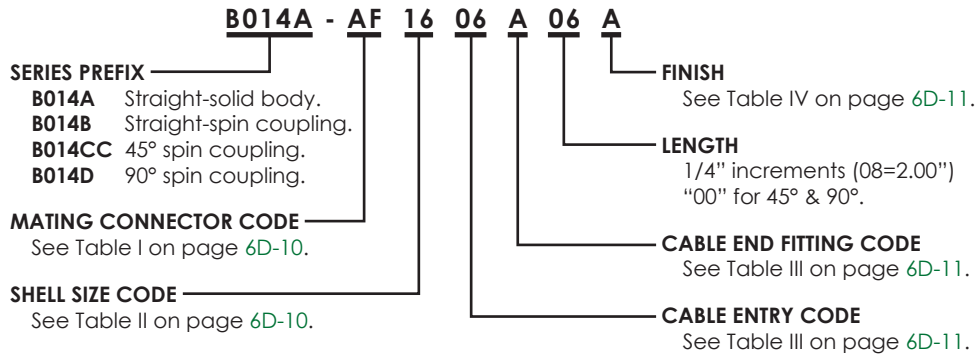
6D

# STRAIGHT, 45° & 90° NON-ENVIRONMENTAL EMI/RFI BACKSHELL WITH INVERTED CONE TERMINATION

B014A, B014B, B014CC, B014D

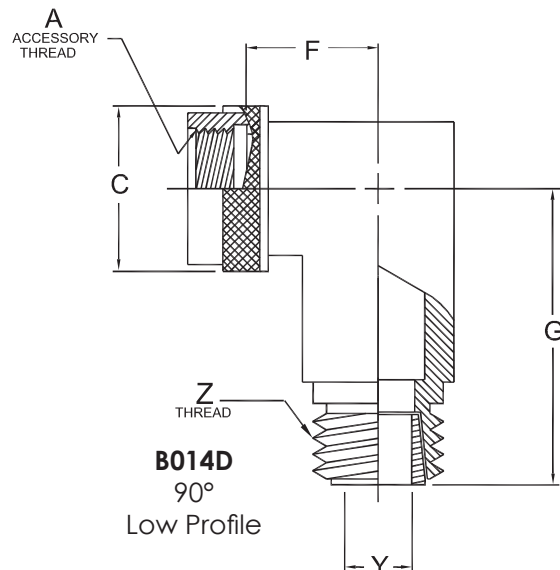
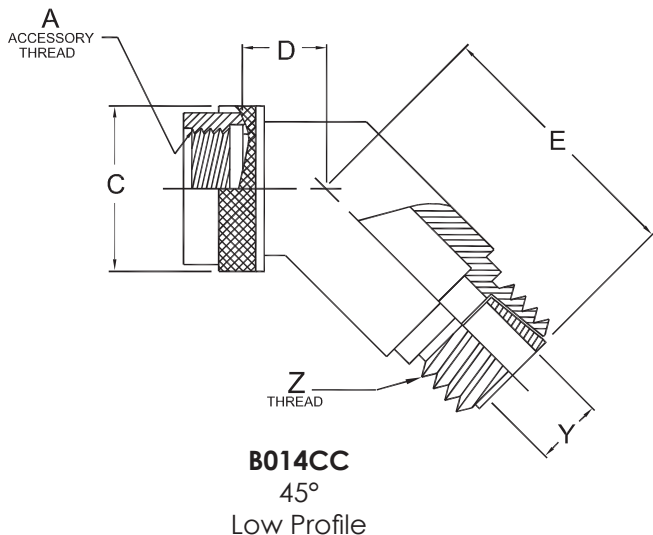
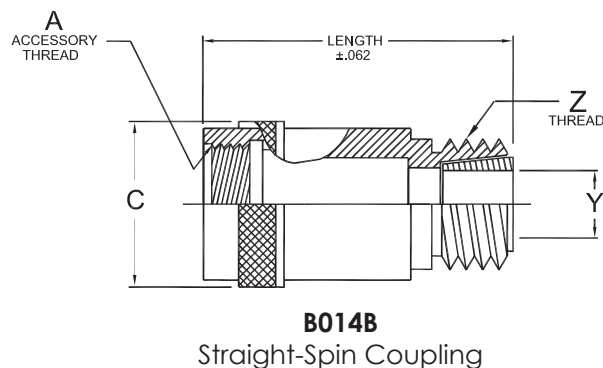
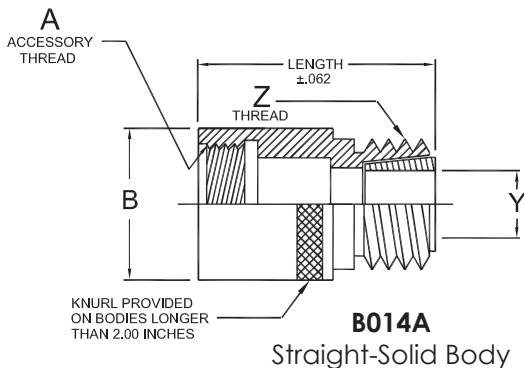
Various Series. See Table I on Page 6D-10.

## ORDERING INFORMATION



An interfacial adapter will be supplied when maximum cable entry exceeds the connector insert diameter. See page 6D-8.

For dimensions Y and Z see Table III on Page 6D-11.





# STRAIGHT, 45° & 90° NON-ENVIRONMENTAL EMI/RFI BACKSHELL WITH INVERTED CONE TERMINATION

B014A, B014B, B014CC, B014D

A ACCESSORY THREAD	MATES WITH SHELL SIZE BELOW BY CONNECTOR CODE								B MAX.	C MAX.	D MAX.	E MAX.	F MAX.	G MAX.	
	AB	AF	AK	AM	BA	BB	BF								BG
			SWLD†	SWL†			SERIES								
	*1	*2			I	II	III								
.375-32UNEF	8S								.531	.688	.500	1.000	.750	1.125	
.438-28UNEF					8		9	8	.594	.688	.500	1.000	.750	1.125	
.500-20UNEF		8 & 8S							.656	.617	.500	1.000	.750	1.125	
.500-28UNEF	10S			10					.656	.850	.500	1.000	.750	1.188	
M12x 1.0								9	.656	.688	.750	1.031	1.000	1.250	
.562-24UNEF					10		11	10	.719	.812	.750	1.031	1.000	1.250	
.625-24UNEF	10SL, 12 & 12S	10, 10S & 10SL		12		8			.781	.875	.750	1.031	1.000	1.250	
M15x 1.0								11	.781	.812	.750	1.062	1.000	1.312	
.688-24UNEF					12		13	12	.844	.938	.812	1.062	1.062	1.312	
.750-20UNEF	14 & 14S	12 & 12S	12	14		10			.906	1.000	.812	1.062	1.062	1.312	
M18x 1.0								13	.906	.938	.812	1.125	1.062	1.312	
.812-20UNEF					14		15	14	.969	1.062	.812	1.125	1.062	1.375	
.875-20UNEF	16 & 16S	14 & 14S	14	16		12			1.031	1.125	.812	1.125	1.062	1.375	
M22x 1.0								15	1.031	1.062	.812	1.188	1.062	1.438	
.938-20UNEF					16		17	16	1.094	1.188	.844	1.188	1.125	1.438	
1.000-20UNEF	18	16 & 16S	16	18		14			1.156	1.250	.844	1.188	1.125	1.438	
M25x 1.0								17	1.156	1.188	.844	1.188	1.125	1.500	
1.062-18UNEF		18			18		19	18	1.219	1.312	.875	1.188	1.188	1.500	
1.125-18UNEF	20		18	20		16			1.281	1.375	.875	1.188	1.188	1.562	
M28x 1.0								19	1.281	1.312	.875	1.188	1.188	1.562	
1.188-18UNEF		20			20		21	20	1.344	1.438	.938	1.188	1.250	1.562	
1.250-18UNEF	22		20	22		18			1.406	1.500	.938	1.188	1.250	1.625	
M31 x 1.0								21	1.406	1.438	.938	1.250	1.250	1.625	
1.312-18UNEF		22			22		23	22	1.469	1.562	.938	1.250	1.250	1.625	
1.375-18UNEF	24		22	24		20			1.531	1.625	.938	1.250	1.250	1.625	
M34x 1.0								23	1.531	1.562	.938	1.312	1.250	1.750	
1.438-18UNEF		24			24		25	24	1.594	1.688	1.000	1.312	1.375	1.750	
1.500-18UNEF						22			1.656	1.688	1.000	1.312	1.375	1.750	
M37x 1.0								25	1.656	1.688	1.000	1.312	1.375	1.750	
1.625-18UNEF	28		24	28		24			1.844	1.969	1.000	1.312	1.375	1.750	
1.750-18UNS		28							1.969	2.094	1.000	1.438	1.375	1.812	
1.875-16UN	32		28	32					2.094	2.219	1.125	1.438	1.500	1.812	
2.000-18UNS		32							2.219	2.344	1.125	1.438	1.500	1.812	
2.062-16UNS	36		32	36					2.281	2.406	1.125	1.500	1.500	2.125	
2.250-16UN		36							2.469	2.594	1.125	1.500	1.500	2.250	
2.312-16UNS	40		36	40					2.531	2.656	1.250	1.500	1.625	2.250	
2.500-16UN		40							2.719	2.844	1.250	1.500	1.500	2.250	
2.625-16UN			40	44					2.844	2.969	1.250	1.500	1.625	2.375	
2.750-16UN		44							2.969	2.969	1.250	1.500	1.625	2.375	
2.875-16UN			44	48					3.094	3.281	1.250	1.500	1.625	2.375	
3.000-16UN		48							3.219	2.406	1.250	1.500	1.625	2.375	

\* 1 - Shell Sizes I, A, W, AS50151 (Crimp), MIL-DTL-26482 (Series 2)  
 \* 2 - Shell Sizes I, A, W, MIL-DTL-22992 Class C, J & R  
 † Left hand threads

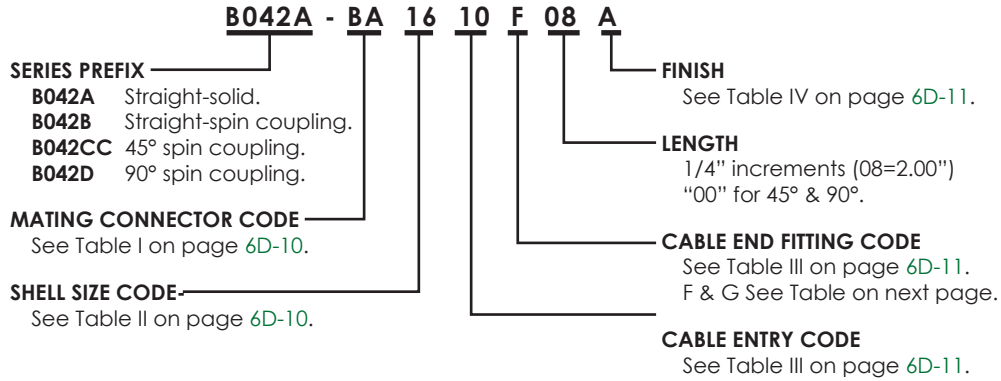
6D

# STRAIGHT, 45° & 90° NON-ENVIRONMENTAL EMI/RFI BACKSHELL LIGHT WEIGHT

B042A, B042B, B042CC, B042D

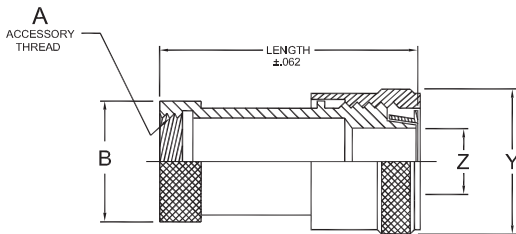
Various Series. See Table I on Page 6D-10.

## ORDERING INFORMATION

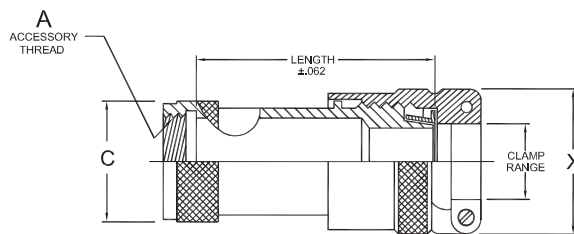


An interfacial adapter will be supplied when maximum cable entry exceeds the connector insert diameter. See page 6D-8.

For dimensions Y and Z see Table III on Page 6D-11.



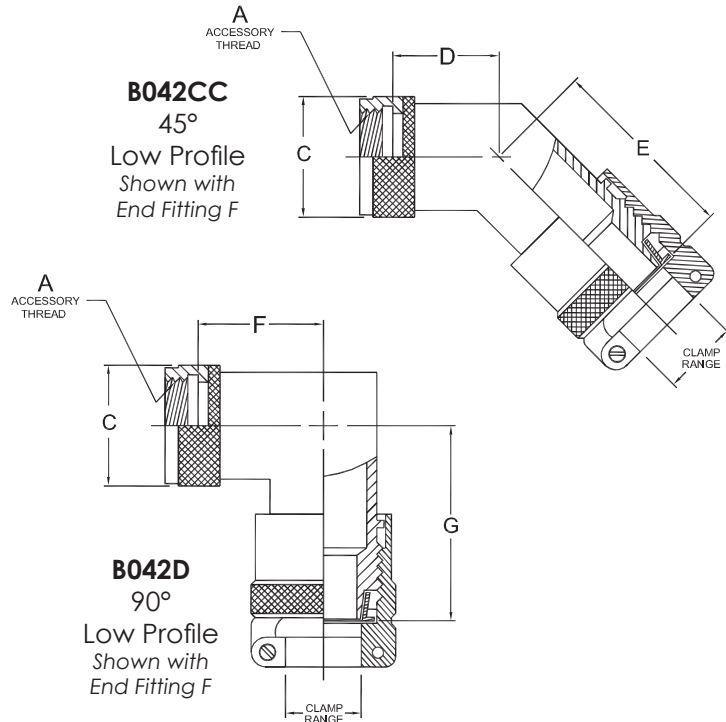
**B042A**  
 Straight-Solid Body  
 Shown with End Fitting G



**B042B**  
 Straight-Spin Coupling  
 Shown with End Fitting F

### CABLE END FITTING DIMENSIONS

CABLE ENTRY CODE	X MAX.	Y MAX.	Z REF.	CLAMP RANGE	
				OPEN	CLOSED
02	.719	.656	.125	.125	.062
04	.844	.781	.250	.250	.125
06	.969	.906	.375	.375	.188
08	1.094	1.031	.500	.500	.281
10	1.219	1.156	.625	.625	.406
12	1.344	1.281	.750	.750	.531
14	1.469	1.406	.875	.875	.656
16	1.594	1.531	1.000	1.000	.781
18	1.719	1.656	1.125	1.125	.906
20	1.844	1.781	1.250	1.250	1.031
22	1.969	1.906	1.375	1.375	1.156



# STRAIGHT, 45° & 90° NON-ENVIRONMENTAL EMI/RFI BACKSHELL LIGHT WEIGHT B042A, B042B, B042CC, B042D

A ACCESSORY THREAD	MATES WITH SHELL SIZE BELOW BY CONNECTOR CODE								B MAX.	C MAX.	D MAX.	E MAX.	F MAX.	G MAX.	
	AB	AF	AK	AM	BA	BB	BF								BG
			SWLD†	SWL†			SERIES								
	*1	*2			I	II	III								
.375-32UNEF	8S								.531	.688	.500	1.000	.750	1.125	
.438-28UNEF					8		9	8	.594	.688	.500	1.000	.750	1.125	
.500-20UNF		8 & 8S							.656	.617	.500	1.000	.750	1.125	
.500-28UNEF	10S			10					.656	.850	.500	1.000	.750	1.188	
M12x 1.0								9	.656	.688	.750	1.031	1.000	1.250	
.562-24UNEF					10		11	10	.719	.812	.750	1.031	1.000	1.250	
.625-24UNEF	10SL, 12 & 12S	10, 10S & 10SL		12		8			.781	.875	.750	1.031	1.000	1.250	
M15x 1.0								11	.781	.812	.750	1.062	1.000	1.312	
.688-24UNEF					12		13	12	.844	.938	.812	1.062	1.062	1.312	
.750-20UNEF	14 & 14S	12 & 12S	12	14		10			.906	1.000	.812	1.062	1.062	1.312	
M18x 1.0								13	.906	.938	.812	1.125	1.062	1.312	
.812-20UNEF					14		15	14	.969	1.062	.812	1.125	1.062	1.375	
.875-20UNEF	16 & 16S	14 & 14S	14	16		12			1.031	1.125	.812	1.125	1.062	1.375	
M22x 1.0								15	1.031	1.062	.812	1.188	1.062	1.438	
.938-20UNEF					16		17	16	1.094	1.188	.844	1.188	1.125	1.438	
1.000-20UNEF	18	16 & 16S	16	18		14			1.156	1.250	.844	1.188	1.125	1.438	
M25x 1.0								17	1.156	1.188	.844	1.188	1.125	1.500	
1.062-18UNEF		18			18		19	18	1.219	1.312	.875	1.188	1.188	1.500	
1.125-18UNEF	20		18	20		16			1.281	1.375	.875	1.188	1.188	1.562	
M28x 1.0								19	1.281	1.312	.875	1.188	1.188	1.562	
1.188-18UNEF		20			20		21	20	1.344	1.438	.938	1.188	1.250	1.562	
1.250-18UNEF	22		20	22		18			1.406	1.500	.938	1.188	1.250	1.625	
M31 x 1.0								21	1.406	1.438	.938	1.250	1.250	1.625	
1.312-18UNEF		22			22		23	22	1.469	1.562	.938	1.250	1.250	1.625	
1.375-18UNEF	24		22	24		20			1.531	1.625	.938	1.250	1.250	1.625	
M34x 1.0								23	1.531	1.562	.938	1.312	1.250	1.750	
1.438-18UNEF		24			24		25	24	1.594	1.688	1.000	1.312	1.375	1.750	
1.500-18UNEF						22			1.656	1.688	1.000	1.312	1.375	1.750	
M37x 1.0								25	1.656	1.688	1.000	1.312	1.375	1.750	
1.625-18UNEF	28		24	28		24			1.844	1.969	1.000	1.312	1.375	1.750	
1.750-18UNS		28							1.969	2.094	1.000	1.438	1.375	1.812	
1.875-16UN	32		28	32					2.094	2.219	1.125	1.438	1.500	1.812	
2.000-18UNS		32							2.219	2.344	1.125	1.438	1.500	1.812	
2.062-16UNS	36		32	36					2.281	2.406	1.125	1.500	1.500	2.125	
2.250-16UN		36							2.469	2.594	1.125	1.500	1.500	2.250	
2.312-16UNS	40		36	40					2.531	2.656	1.250	1.500	1.625	2.250	
2.500-16UN		40							2.719	2.844	1.250	1.500	1.500	2.250	
2.625-16UN			40	44					2.844	2.969	1.250	1.500	1.625	2.375	
2.750-16UN		44							2.969	2.969	1.250	1.500	1.625	2.375	
2.875-16UN			44	48					3.094	3.281	1.250	1.500	1.625	2.375	
3.000-16UN		48							3.219	2.406	1.250	1.500	1.625	2.375	

\* 1 - Shell Sizes I, A, W, AS50151 (Crimp), MIL-DTL-26482 (Series 2)  
 \* 2 - Shell Sizes I, A, W, MIL-DTL-22992 Class C, J & R  
 † Left hand threads

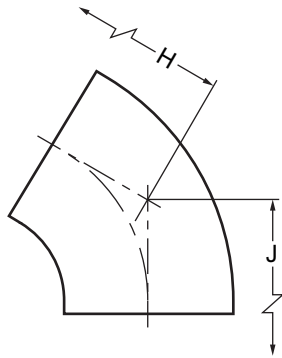
6D

# CONFIGURATIONS

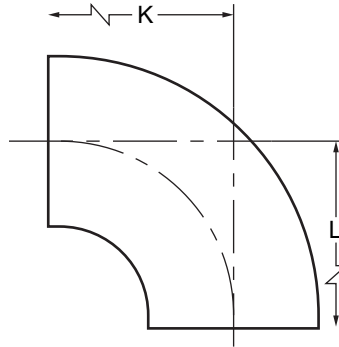
## CONFIGURATION CODES

CODE					DESCRIPTION
STRAIGHT	45°	45° BENT TUBE	90°	90° BENT TUBE	
A					Solid body
B	CC	C	D	H	Round non-locking nut, .032" safety wire holes
E	FF	F	G	K	Hex non-locking nut, .032 safety wire holes

## BENT TUBE CONFIGURATIONS

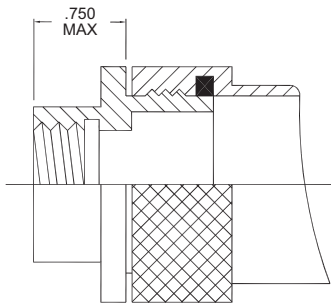


**45°  
Bent Tube**

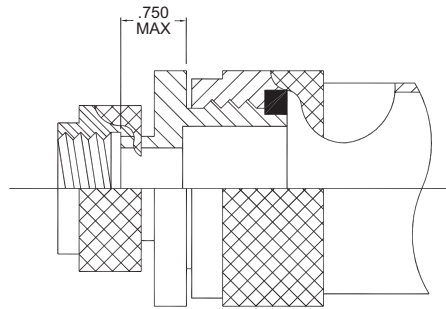


**90°  
Bent Tube**

## INTERFACIAL ADAPTER CONFIGURATIONS



**Straight Solid  
Configuration**



**Straight 45° & 90°  
Spin Configuration**

# BENT TUBE DIMENSIONS

A ACCESSORY THREAD	MATES WITH SHELL SIZE BELOW BY CONNECTOR CODE								H MAX.	J MAX.	K MAX.	L MAX.	
	AB	AF	AK	AM	BA	BB	BF						BG
			SWLD†	SWLD†			SERIES						
			*1	*2			I	II					III
.375-32UNEF	8S								.812	.875	1.125	1.188	
.438-28UNEF					8		9	8		.812	.875	1.125	1.188
.500-20UNF		8 & 8S								.812	.875	1.125	1.188
.500-28UNEF	10S			10						.812	.875	1.125	1.188
M12x 1.0								9		.812	.875	1.125	1.188
.562-24UNEF					10		11	10		.875	.938	1.250	1.312
.625-24UNEF	10SL, 12 & 12S	10, 10S & 10SL		12		8				.875	.938	1.250	1.312
M15x 1.0								11		.875	.938	1.250	1.312
.688-24UNEF					12		13	12		.938	1.000	1.375	1.438
.750-20UNEF	14 & 14S	12 & 12S	12	14		10				.938	1.000	1.375	1.438
M18x 1.0								13		.938	1.000	1.375	1.438
.812-20UNEF					14		15	14		1.000	1.062	1.500	1.562
.875-20UNEF	16 & 16S	14 & 14S	14	16		12				1.000	1.062	1.500	1.562
M22x 1.0								15		1.000	1.062	1.500	1.562
.938-20UNEF					16		17	16		1.062	1.125	1.625	1.688
1.000-20UNEF	18	16 & 16S	16	18		14				1.062	1.125	1.625	1.688
M25x 1.0								17		1.062	1.125	1.625	1.688
1.062-18UNEF		18			18		19	18		1.094	1.156	1.750	1.812
1.125-18UNEF	20		18	20		16				1.094	1.156	1.750	1.812
M28x 1.0								19		1.094	1.156	1.750	1.812
1.188-18UNEF		20			20		21	20		1.156	1.219	1.875	1.938
1.250-18UNEF	22		20	22		18				1.156	1.219	1.875	1.938
M31 x 1.0								21		1.156	1.219	1.875	1.938
1.312-18UNEF		22			22		23	22		1.188	1.250	2.000	2.062
1.375-18UNEF	24		22	24		20				1.188	1.250	2.000	2.062
M34x 1.0								23		1.188	1.250	2.000	2.062
1.438-18UNEF		24			24		25	24		1.250	1.312	2.125	2.188
1.500-18UNEF						22				1.250	1.312	2.125	2.188
M37x 1.0								25		1.250	1.312	2.125	2.188
1.625-18UNEF	28		24	28		24				1.344	1.625	2.375	2.625
1.750-18UNS		28								1.344	1.625	2.375	2.625
1.875-16UN	32		28	32						1.438	1.812	2.625	3.000
2.000-18UNS		32								1.438	1.812	2.625	3.000
2.062-16UNS	36		32	36						1.562	1.938	2.875	3.250
2.250-16UN		36								1.562	1.938	2.875	3.250
2.312-16UNS	40		36	40						1.688	2.062	3.125	3.500
2.500-16UN		40								1.688	2.062	3.125	3.500
2.625-16UN			40	44						1.750	2.188	3.375	3.812
2.750-16UN		44								1.750	2.188	3.375	3.812
2.875-16UN			44	48						1.875	2.312	3.625	4.062
3.000-16UN		48								1.875	2.312	3.625	4.062

\* 1 - Shell Sizes I, A, W, AS50151 (Crimp), MIL-DTL-26482 (Series 2)

\* 2 - Shell Sizes I, A, W, MIL-DTL-22992 Class C, J & R

† Left hand threads

6D

# MATING CONNECTOR CODES

**TABLE I. MATING CONNECTOR CODES**

CODE	CONNECTOR SPECIFICATION
<b>AB</b>	AS50151, Solder Contacts, and F80 Crimp, SCP and SCPB Series
<b>AF</b>	AS50151, Crimp Front or Rear Release Contacts SC30 thru SC39 and SC50 thru SC59 MIL-DTL-26482, Series 2, SCPT70 thru SCPT79
<b>AK</b>	MIL-DTL-22992, Class C & R, SWLD Series, SCP17343 thru SCP17347
<b>AM</b>	SWL Series
<b>BA</b>	MIL-DTL-26482 Series I, Solder or Crimp Front Release, SCPT and SCPC Series
<b>BB</b>	MIL-DTL-26482 Series 1, Class E, F & P SCPT07* and SCPT07S*
<b>BF</b>	MIL-DTL-38999 Series I & II, SC1001, SC1466, SC1467, SC1468, SC1469, SC1470, SC1471, SC1496, SC1498, SC1505, SC1656, SC1662, SC2001, SC2472, SC2473, SC2474, SC2475, SC2476, SC2477, SC2478, SC2484, SC2497, SC2499, SC2508, SC2513
<b>BG</b>	MIL-DTL-38999, Series III, SC3920 thru SC3926

# SHELL SIZE CODES

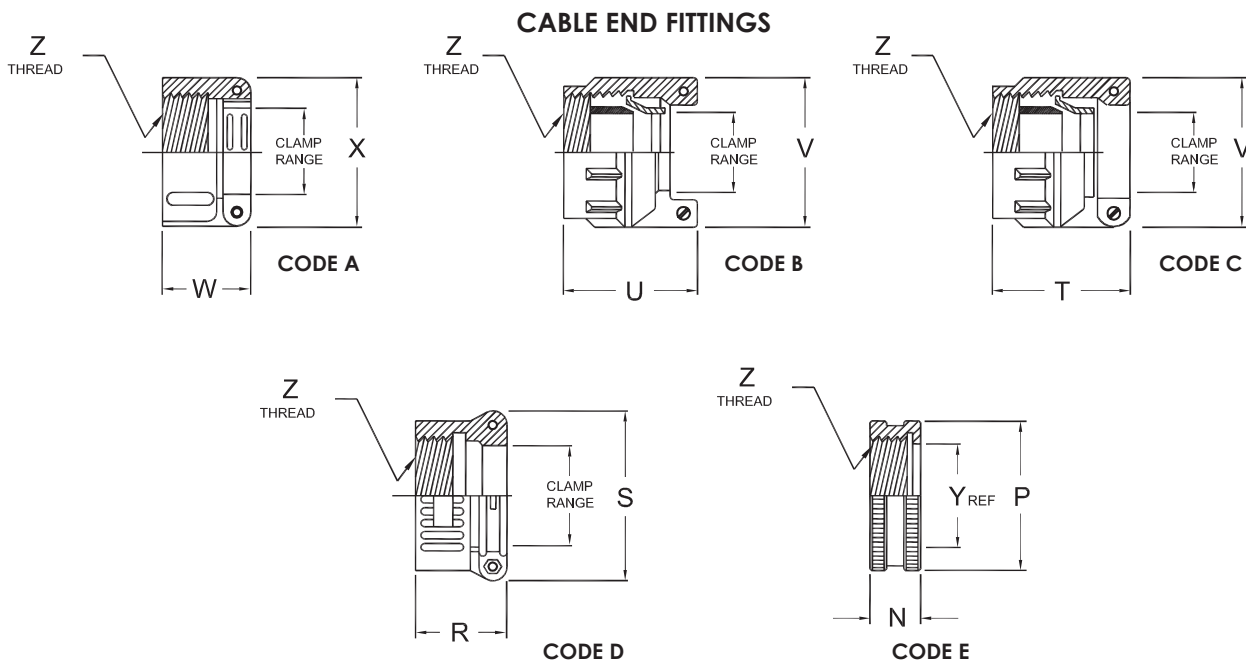
**TABLE II. SHELL SIZE CODES**

SHELL SIZE CODE	MATING CONNECTOR CODES									
	AB	AF	AK	AM	BA	BB	BF			BG
			SWLD	SWL			SERIES			
							I	II	III	
08	8S	8 & 8S			8	8	9	8		
09									9	
10	10S	10, 10S & 10SL		10	10	10	11	10		
11				12					11	
12	10SL, 12 & 12S	12 & 12S	12	14	12	12	13	12		
13									13	
14	14 & 14S	14 & 14S	14	16	14	14	15	14		
15									15	
16	16 & 16S	16 & 16S	16	18	16	16	17	16		
17									17	
18	18	18	18	20	18	18	19	18		
19									19	
20	20	20	20	22	20	20	21	20		
21									21	
22	22	22	22	24	22	22	23	22		
23									23	
24	24	24	24	28	24	24	25	24		
25									25	
28	28	28	28	32						
32	32	32	32	36						
36	36	36	36	40						
40	40	40	40	44						
44		44	44							
48		48	48							



### TABLE III. CABLE ENTRY CODE/CABLE END FITTING DIMENSIONS

CABLE ENTRY CODE	Z FITTING THREAD	Y REF.	END FITTING A				END FITTING B & C				END FITTING D				END FITTING E		
			X ±.031	W ±.031	CLAMP RANGE		V MAX.	U MAX.	T MAX.	CLAMP RANGE		S ±.020	R ±	CLAMP RANGE		P ±.016	N ±.016
					OPEN	CLOSED				OPEN	CLOSED			OPEN	CLOSED		
03	.500-28UNEF	.250	.812	.812	.250	.156	.812	1.031	1.031	.219	.094	-	-	-	-	.625	.438
04	.625-24UNEF	.312	.875	.812	.312	.188	.938	1.031	1.375	.312	.094	.938	1.281	.312	.125	.750	.438
06	.750-20UNEF	.438	1.062	.875	.438	.281	1.062	1.031	1.375	.438	.250	1.125	1.281	.438	.250	.875	.438
08	.875-20UNEF	.562	1.156	.938	.562	.344	1.188	1.031	1.375	.531	.312	1.312	1.281	.562	.312	1.031	.438
10	1.000-20UNEF	.625	1.250	.938	.625	.375	1.312	1.094	1.438	.625	.375	1.312	1.281	.625	.350	1.156	.438
12	1.188-18UNEF	.750	1.469	.938	.750	.438	1.562	1.219	1.438	.750	.500	1.531	1.312	.750	.500	1.344	.438
16	1.438-18UNEF	.938	1.688	1.031	.938	.562	1.750	1.219	1.562	.938	.594	1.750	1.406	.938	.625	1.564	.438
20	1.750-18UNS	1.250	2.031	1.094	1.250	.750	2.250	1.344	1.812	1.250	.938	2.094	1.594	1.250	.875	1.906	.500
24	2.000-18UNS	1.375	2.281	1.156	1.375	.781	2.375	1.547	2.062	1.375	.969	2.344	1.625	1.375	1.000	2.156	.562
28	2.250-16UN	1.625	2.688	1.688	1.625	.969	2.625	1.547	2.062	1.625	1.188	2.750	1.900	1.625	1.250	2.406	.562
32	2.500-16UN	1.875	2.938	1.750	1.875	1.125	2.812	1.734	2.188	1.875	1.375	3.000	1.900	1.875	1.438	2.656	.625
40	3.000-16UN	2.375	3.500	1.750	2.375	1.469	3.312	1.781	-	2.375	1.875	-	-	-	-	3.156	.688



### TABLE IV. FINISH CODES CONSULT FACTORY FOR OTHER AVAILABLE FINISHES

FINISH CODE	DESCRIPTION
<b>A</b>	Cadmium, Olive Drab, per QQ-P-416, Type II, Over Electroless Nickel, per MIL-C-26074 (1000 Hour Salt Spray Finish)
<b>B</b>	Cadmium, Black, per QQ-P-416, Type II, Class 3
<b>C</b>	Cadmium, Olive Drab, per QQ-P-416, Type II, Class 3
<b>D</b>	Cadmium - Yellow, per QQ-P-416, Type II Class 3, 48 Hours
<b>E</b>	Cadmium - Yellow Over Nickel, 48 Hours
<b>F</b>	Anodize, Sulphuric, Black, per MIL-A-8625, Type II, Class 2
<b>G</b>	Chromium Plate, per QQ-C-320, CLASS 2 A, Type II
<b>H</b>	Anodize, Hard, Black, per MIL-A-8625, Type III, Class 2
<b>I</b>	Chemical Film, per MIL-C-5541
<b>J</b>	Cadmium, Clear, per QQ-P-416, Type II Class 3
<b>K</b>	Nickel, Electro Deposited, per QQ-N-290, Class 2

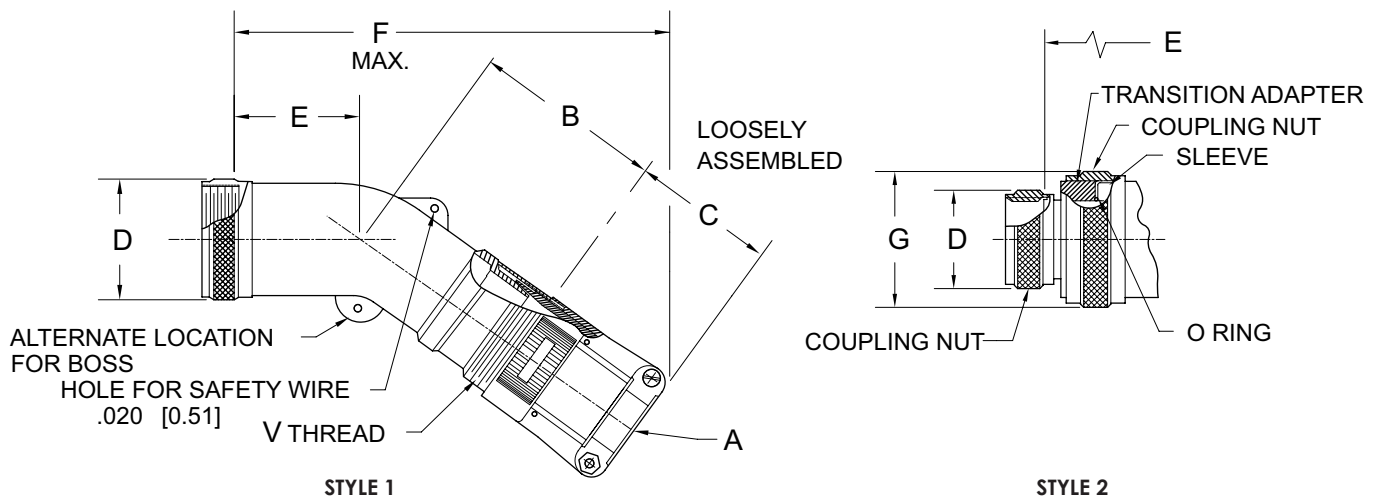
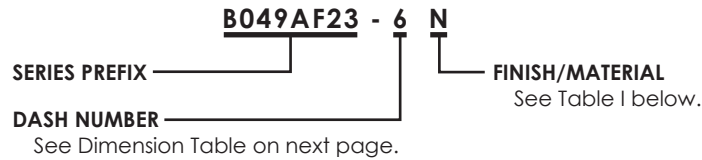
FINISH CODE	DESCRIPTION
<b>L</b>	Zinc Cobalt, Color O.D. .000050
<b>M</b>	Zinc Cobalt, Color Black, .000050
<b>N</b>	Electroless Nickel, per MIL-C-26074, Class 4, Grade B
<b>R</b>	Anodize, Hard, Gray, per MIL-A-8625, Type III, Class 1
<b>S</b>	Anodize, Sulphuric, Gray, per MIL-A-8625, Type II, Class 1
<b>T</b>	Anodize, Hard Color Blue
<b>U</b>	Anodize, Hard Color Red
<b>V</b>	Anodize, Hard Color Yellow
<b>X</b>	Cadmium, Bright, per QQ-P-416, Type II, Over Electroless Nickel, per MIL-C-26074
<b>Z</b>	Anodize, Hard, Green, per MIL-A-8625, Type III, Class 1, Dichromate Seal

# 45° NON-ENVIRONMENTAL EMI/RFI SHIELD TERMINATION BACKSHELL WITH CABLE CLAMP

## B049AF23

For **SC30**, **SC50** & **SC70** Series (AS50151 Crimp & MIL-DTL 26482 Series 2)

### ORDERING INFORMATION



Dimensions in brackets [ ] are in millimeters.

**TABLE I - AVAILABLE FINISHES**

CODE	DESCRIPTION	MATERIAL	TEMP. RANGE	EXCLUSIONS
<b>N</b>	Electroless nickel - In accordance with AMS-C-26074 or AMS 2404.	Aluminum Alloy	-65 to +200 °C	Not for Navy use.
<b>W</b>	Cadmium - Olive drab over suitable underplate, 1000 hour salt spray.		-65 to +175 °C	Not for use in space application.
<b>X</b>	Nickel fluorocarbon polymer. Nickel with fluorocarbon polymer additives over a suitable underplate to withstand 1000 hours of salt spray testing. Color shall be non-reflective. Final finish shall be electrically conductive.		-65 to +175 °C	
<b>Z</b>	Zinc nickel in accordance with ASTM B841 over suitable underplate to withstand 1000 hours of salt spray testing. Color shall be black, conductive, and non-reflective. Final finish shall be electrically conductive.		-65 to +175 °C	
<b>B</b>	Black cadmium - In accordance with AMS-QQ-P-416, Type II, Class 3.	Stainless Steel	-65 to +175 °C	Not for use in space application.
<b>S</b>	Passivate - In accordance with AMS-QQ-P-35, AMS 2700, or ASTM A 967.		-65 to +200 °C	
<b>XS</b>	Nickel fluorocarbon polymer. Nickel with fluorocarbon polymer additives over a suitable underplate to withstand 1000 hours of salt spray testing. Color shall be non-reflective. Final finish shall be electrically conductive.		-65 to +175 °C	
<b>ZS</b>	Zinc nickel in accordance with ASTM B841 over suitable underplate to withstand 1000 hours of salt spray testing. Color shall be black, conductive, and non-reflective. Final finish shall be electrically conductive.		-65 to +175 °C	





# 45° NON-ENVIRONMENTAL EMI/RFI SHIELD TERMINATION BACKSHELL WITH CABLE CLAMP

B049AF23

DASH NO.	FITS SHELL OF CONN.		CLAMP SIZE	A WIRE BUNDLE RANGE [DIA.]		STYLE	B ±.125 [±3.17]	C REF.	ØD MAX.	E ±.125 [±3.17]	F MAX	ØG MAX.	V THREAD CLASS 2A
	MIL-DTL-26482 SERIES 2	AS50151 CRIMP		MIN.	MAX.								
	3	8		8S	4								
4	10	10S,10SL	4	.125 [3.17]	.312 [7.92]	1	1.850 [46.99]	1.027 [26.09]	.734 [18.64]	.561 [14.25]	3.05 [77.47]	-	.625-24 UNEF
5	10	10S,10SL	6	.250 [6.35]	.375 [9.52]	1	1.245 [31.62]	1.027 [26.09]	.734 [18.64]	.561 [14.25]	2.69 [68.33]	-	.750-20 UNEF
6	12	12,12S	4	.125 [3.17]	.312 [7.92]	1	1.910 [48.51]	1.027 [26.09]	.858 [21.79]	.625 [15.87]	3.16 [80.26]	-	.625-24 UNEF
7	12	12,12S	6	.250 [6.35]	.437 [11.10]	1	1.910 [48.51]	1.027 [26.09]	.858 [21.79]	.625 [15.87]	3.32 [84.33]	-	.750-20 UNEF
8	12	12,12S	10	.350 [8.89]	.500 [12.70]	1	1.910 [48.51]	1.027 [26.09]	.858 [21.79]	.625 [15.87]	3.29 [83.57]	-	1.000-20 UNEF
9	14	14,14S	6	.250 [6.35]	.437 [11.10]	1	2.000 [50.80]	1.027 [26.09]	.984 [24.99]	.688 [17.48]	3.35 [85.09]	-	.750-20 UNEF
10	14	14,14S	10	.350 [8.89]	.575 [14.60]	1	1.655 [42.04]	1.027 [26.09]	.984 [24.99]	.688 [17.48]	3.17 [80.52]	-	1.000-20 UNEF
11	16	16,16S	6	.250 [6.35]	.437 [11.10]	1	2.110 [53.59]	1.027 [26.09]	1.112 [28.24]	.781 [19.84]	3.52 [89.41]	-	.750-20 UNEF
12	16	16,16S	12	.500 [12.70]	.700 [17.78]	1	1.750 [44.45]	1.059 [26.90]	1.112 [28.24]	.781 [19.84]	3.43 [87.12]	-	1.187-18 UNEF
13	18	18	10	.350 [8.89]	.625 [15.87]	1	2.300 [58.42]	1.027 [26.09]	1.218 [30.94]	.968 [24.59]	3.91 [99.31]	-	1.000-20 UNEF
14	18	18	16	.625 [15.87]	.779 [19.79]	1	1.938 [49.23]	1.156 [29.36]	1.218 [30.94]	.968 [24.59]	3.90 [99.06]	-	1.437-18 UNEF
15	20	20	10	.350 [8.89]	.625 [15.87]	1	2.300 [58.42]	1.027 [26.09]	1.345 [34.16]	.968 [24.59]	3.91 [99.31]	-	1.000-20 UNEF
16	20	20	16	.625 [15.87]	.904 [22.96]	1	1.938 [49.23]	1.156 [29.36]	1.345 [34.16]	.968 [24.59]	3.90 [99.06]	-	1.437-18 UNEF
17	22	22	12	.500 [12.70]	.750 [19.05]	1	2.450 [62.23]	1.059 [26.90]	1.468 [37.29]	1.063 [27.00]	4.21 [106.93]	-	1.187-18 UNEF
18	22	22	20	.875 [22.22]	1.029 [26.14]	1	2.093 [53.16]	1.375 [34.92]	1.468 [37.29]	1.063 [27.00]	4.38 [111.25]	-	1.750-18 UNS
19	24	24	12	.500 [12.70]	.750 [19.05]	1	2.450 [62.23]	1.059 [26.90]	1.593 [40.46]	1.063 [27.00]	4.21 [106.93]	-	1.187-18 UNEF
20	24	24	20	.875 [22.22]	1.144 [29.06]	1	2.093 [53.16]	1.375 [34.92]	1.593 [40.46]	1.063 [27.00]	4.38 [111.25]	-	1.750-18 UNS
21	-	28	16	.625 [15.87]	.937 [23.80]	1	2.500 [63.50]	1.156 [29.36]	1.969 [50.01]	1.188 [30.18]	4.52 [114.81]	-	1.437-18 UNEF
22	-	28	24	1.000 [25.40]	1.375 [34.92]	1	2.156 [54.76]	1.500 [38.10]	1.969 [50.01]	1.188 [30.18]	4.72 [119.89]	-	2.000-18 UNS
23	-	32	16	.625 [15.87]	.937 [23.80]	1	2.600 [66.04]	1.156 [29.36]	2.219 [56.36]	1.250 [31.75]	4.65 [118.11]	-	1.437-18 UNEF
24	-	32	20	.875 [22.22]	1.250 [31.75]	1	2.600 [66.04]	1.375 [34.92]	2.219 [56.36]	1.250 [31.75]	4.92 [124.97]	-	1.750-18 UNS
25	-	32	28	1.250 [31.75]	1.625 [41.27]	1	2.250 [57.15]	1.781 [45.24]	2.219 [56.36]	1.250 [31.75]	5.19 [131.83]	-	2.250-16 UN
26	-	36	16	.625 [15.87]	.937 [23.80]	1	2.690 [68.33]	1.156 [29.36]	2.469 [62.71]	1.281 [32.54]	4.74 [120.40]	-	1.437-18 UNEF
27	-	36	24	1.000 [25.40]	1.375 [34.92]	1	2.690 [68.33]	1.500 [38.10]	2.469 [62.71]	1.281 [32.54]	5.19 [131.83]	-	2.000-18 UNS
28	-	36	32	1.437 [36.50]	1.840 [46.74]	1	2.344 [59.54]	1.830 [46.48]	2.469 [62.71]	1.281 [32.54]	5.41 [137.41]	-	2.500-16 UN
29	-	40	16	.625 [15.87]	.937 [23.80]	1	2.690 [68.33]	1.156 [29.36]	2.719 [69.06]	2.031 [51.59]	5.49 [139.45]	-	1.437-18 UNEF
30	-	40	24	1.000 [25.40]	1.375 [34.92]	1	2.690 [68.33]	1.500 [38.10]	2.719 [69.06]	2.031 [51.59]	5.94 [150.88]	-	2.000-18 UNS

Dimensions in brackets [ ] are in millimeters.

Continued on Next Page

6D

# 45° NON-ENVIRONMENTAL EMI/RFI SHIELD TERMINATION BACKSHELL WITH CABLE CLAMP

B049AF23

Continued from Previous Page

DASH NO.	FITS SHELL OF CONN.		CLAMP SIZE	A WIRE BUNDLE RANGE [DIA.]		STYLE	B ±.125 [±3.17]	C REF.	ØD MAX.	E ±.125 [±3.17]	F MAX	ØG MAX.	V THREAD CLASS 2A
	MIL-DTL-26482 SERIES 2	AS50151 CRIMP		MIN.	MAX.								
	31	-		40	32								
32	-	44	16	.625 [15.87]	.937 [23.80]	1	2.690 [68.33]	1.156 [29.36]	2.969 [75.41]	2.031 [51.59]	5.49 [139.45]	-	1.437-18 UNEF
33	-	44	24	1.000 [25.40]	1.375 [34.92]	1	2.690 [68.33]	1.500 [38.10]	2.969 [75.41]	2.031 [51.59]	5.94 [150.88]	-	2.000-18 UNS
34	-	44	32	1.437 [36.50]	1.875 [47.62]	1	2.344 [59.54]	1.830 [46.48]	2.969 [75.41]	2.031 [51.59]	6.16 [156.46]	-	2.500-16 UN
35	-	48	16	.625 [15.87]	.937 [23.80]	1	2.690 [68.33]	1.156 [29.36]	3.219 [81.76]	2.031 [51.59]	5.49 [139.45]	-	1.437-18 UNEF
36	-	48	24	1.000 [25.40]	1.375 [34.92]	1	2.690 [68.33]	1.500 [38.10]	3.219 [81.76]	2.031 [51.59]	5.94 [150.88]	-	2.000-18 UNS
37	-	48	32	1.437 [36.50]	1.875 [47.62]	1	2.344 [59.54]	1.830 [46.48]	3.219 [81.76]	2.031 [51.59]	6.16 [156.46]	-	2.500-16 UN
40	16	16, 16S	10	.350 [8.89]	.625 [15.87]	1	2.110 [53.59]	1.027 [26.09]	1.112 [28.24]	.781 [19.84]	3.59 [91.19]	-	1.000-20 UNEF
41	18	18	4	.125 [3.17]	.312 [7.92]	1	2.300 [58.42]	1.027 [26.09]	1.218 [30.94]	.968 [24.59]	3.80 [96.52]	-	.625-24 UNEF
42	18	18	6	.250 [6.35]	.437 [11.10]	1	2.300 [58.42]	1.027 [26.09]	1.218 [30.94]	.968 [24.59]	3.84 [97.54]	-	.750-20 UNEF
43	20	20	6	.250 [6.35]	.437 [11.10]	1	2.300 [58.42]	1.027 [26.09]	1.345 [34.16]	.968 [24.59]	3.84 [97.54]	-	.750-20 UNEF
44	22	22	4	.125 [3.17]	.312 [7.92]	1	2.450 [62.23]	1.027 [26.09]	1.468 [37.29]	1.063 [27.00]	3.98 [101.09]	-	.625-24 UNEF
45	22	22	6	.250 [6.35]	.437 [11.10]	1	2.450 [62.23]	1.027 [26.09]	1.468 [37.29]	1.063 [27.00]	4.04 [102.62]	-	.750-20 UNEF
46	24	24	10	.350 [8.89]	.625 [15.87]	1	2.450 [62.23]	1.027 [26.09]	1.593 [40.46]	1.063 [27.00]	4.11 [104.39]	-	1.000-20 UNEF
47	-	36	12	.500 [12.70]	.750 [19.05]	1	2.690 [68.33]	1.059 [26.90]	2.469 [62.71]	1.281 [32.54]	4.60 [116.84]	-	1.187-18 UNEF
48	-	40	12	.500 [12.70]	.750 [19.05]	1	2.690 [68.33]	1.059 [26.90]	2.719 [69.06]	2.031 [51.59]	5.35 [135.89]	-	1.187-18 UNEF
49	10	10S, 10SL	6	.250 [6.35]	.437 [11.10]	2	1.910 [48.51]	1.027 [26.09]	.734 [18.64]	1.375 [34.92]	3.97 [100.84]	.858 [21.79]	.750-20 UNEF
50	14	14, 14S	12	.500 [12.70]	.750 [19.05]	2	2.300 [58.42]	1.059 [26.90]	.984 [24.99]	1.717 [43.61]	4.76 [120.90]	1.218 [30.94]	1.187-18 UNEF
51	16	16, 16S	16	.625 [15.87]	.937 [23.80]	2	2.450 [62.23]	1.156 [29.36]	1.112 [28.24]	1.812 [46.02]	5.11 [129.79]	1.468 [37.29]	1.437-18 UNEF
52	18	18	12	.500 [12.70]	.750 [19.05]	1	2.300 [58.42]	1.059 [26.90]	1.218 [30.94]	.968 [24.59]	4.01 [101.85]	-	1.187-18 UNEF
54	20	20	12	.500 [12.70]	.750 [19.05]	1	2.300 [58.42]	1.059 [26.90]	1.345 [34.16]	.968 [24.59]	4.01 [101.85]	-	1.187-18 UNEF
55	20	20	20	.875 [22.22]	1.250 [31.75]	2	2.500 [63.50]	1.375 [34.92]	1.345 [34.16]	1.936 [49.17]	5.54 [140.72]	1.969 [50.01]	1.750-18 UNS
56	22	22	10	.350 [8.89]	.625 [15.87]	1	2.450 [62.23]	1.027 [26.09]	1.468 [37.29]	1.063 [27.00]	4.11 [104.39]	-	1.000-20 UNEF
57	22	22	16	.625 [15.87]	.937 [23.80]	1	2.450 [62.23]	1.156 [29.36]	1.468 [37.29]	1.063 [27.00]	4.36 [110.74]	-	1.437-18 UNEF
58	22	22	20	.875 [22.22]	1.250 [31.75]	2	2.500 [63.50]	1.375 [34.92]	1.468 [37.29]	1.936 [49.17]	5.54 [140.72]	1.969 [50.01]	1.750-18 UNS
59	24	24	16	.625 [15.87]	.937 [23.80]	1	2.450 [62.23]	1.156 [29.36]	2.093 [53.16]	1.063 [27.00]	4.36 [110.74]	-	1.437-18 UNEF
60	-	28	12	.500 [12.70]	.750 [19.05]	1	2.500 [63.50]	1.059 [26.90]	1.969 [50.01]	1.188 [30.18]	4.37 [111.00]	-	1.187-18 UNEF
61	-	28	20	.875 [22.22]	1.250 [31.75]	1	2.500 [63.50]	1.375 [34.92]	1.969 [50.01]	1.188 [30.18]	4.79 [121.67]	-	1.750-18 UNS

Dimensions in brackets [ ] are in millimeters.

Continued on Next Page



# 45° NON-ENVIRONMENTAL EMI/RFI SHIELD TERMINATION BACKSHELL WITH CABLE CLAMP

B049AF23

Continued from Previous Page

DASH NO.	FITS SHELL OF CONN.		CLAMP SIZE	A WIRE BUNDLE RANGE [DIA.]		STYLE	B ±.125 [±3.17]	C REF.	ØD MAX.	E ±.125 [±3.17]	F MAX	ØG MAX.	V THREAD CLASS 2A
	MIL-DTL-26482 SERIES 2	AS50151 CRIMP		MIN.	MAX.								
	62	-		32	24								
63	-	36	20	.875 [22.22]	1.250 [31.75]	1	2.690 [68.33]	1.375 [34.92]	2.469 [62.71]	1.281 [32.54]	5.02 [127.51]	-	1.750-18 UNS
64	-	36	28	1.250 [31.75]	1.625 [41.27]	1	2.690 [68.33]	1.781 [45.24]	2.469 [62.71]	1.281 [32.54]	5.54 [140.72]	-	2.250-16 UN
65	-	40	20	.875 [22.22]	1.250 [31.75]	1	2.690 [68.33]	1.375 [34.92]	2.719 [69.06]	2.031 [51.59]	5.77 [146.56]	-	1.750-18 UNS
66	-	40	28	1.250 [31.75]	1.625 [41.27]	1	2.690 [68.33]	1.781 [45.24]	2.719 [69.06]	2.031 [51.59]	6.29 [159.77]	-	2.250-16 UN
67	-	44	20	.875 [22.22]	1.250 [31.75]	1	2.690 [68.33]	1.375 [34.92]	2.969 [75.41]	2.031 [51.59]	5.77 [146.56]	-	1.750-18 UNS
68	-	44	28	1.250 [31.75]	1.625 [41.27]	1	2.690 [68.33]	1.781 [45.24]	2.969 [75.41]	2.031 [51.59]	6.29 [159.77]	-	2.250-16 UN
69	-	48	20	.875 [22.22]	1.250 [31.75]	1	2.690 [68.33]	1.375 [34.92]	3.219 [81.76]	2.031 [51.59]	5.77 [146.56]	-	1.750-18 UNS
70	-	48	28	1.250 [31.75]	1.625 [41.27]	1	2.690 [68.33]	1.781 [45.24]	3.219 [81.76]	2.031 [51.59]	6.29 [159.77]	-	2.250-16 UN
71	12	12, 12S	10	.350 [8.89]	.625 [15.87]	2	2.110 [53.59]	1.027 [26.09]	.858 [21.79]	1.529 [38.84]	4.33 [109.98]	1.112 [28.24]	1.000-20 UNEF
72	18	18	16	.625 [15.87]	.937 [23.80]	2	2.450 [62.23]	1.156 [29.36]	1.218 [30.94]	1.812 [46.02]	5.10 [129.54]	1.468 [37.29]	1.437-18 UNEF
73	24	24	20	.875 [22.22]	1.250 [31.75]	2	2.500 [63.50]	1.375 [34.92]	1.468 [37.29]	1.936 [49.17]	5.53 [140.46]	1.969 [50.01]	1.750-18 UNS
74	14	14, 14S	4	.125 [3.17]	.312 [7.92]	1	2.000 [50.80]	1.027 [26.09]	.984 [24.99]	.688 [17.48]	3.28 [83.31]	-	.625-24 UNEF
75	16	16, 16S	4	.125 [3.17]	.312 [7.92]	1	2.110 [53.59]	1.027 [26.09]	1.112 [28.24]	.781 [19.84]	3.45 [87.63]	-	.625-24 UNEF

Dimensions in brackets [ ] are in millimeters.

6D

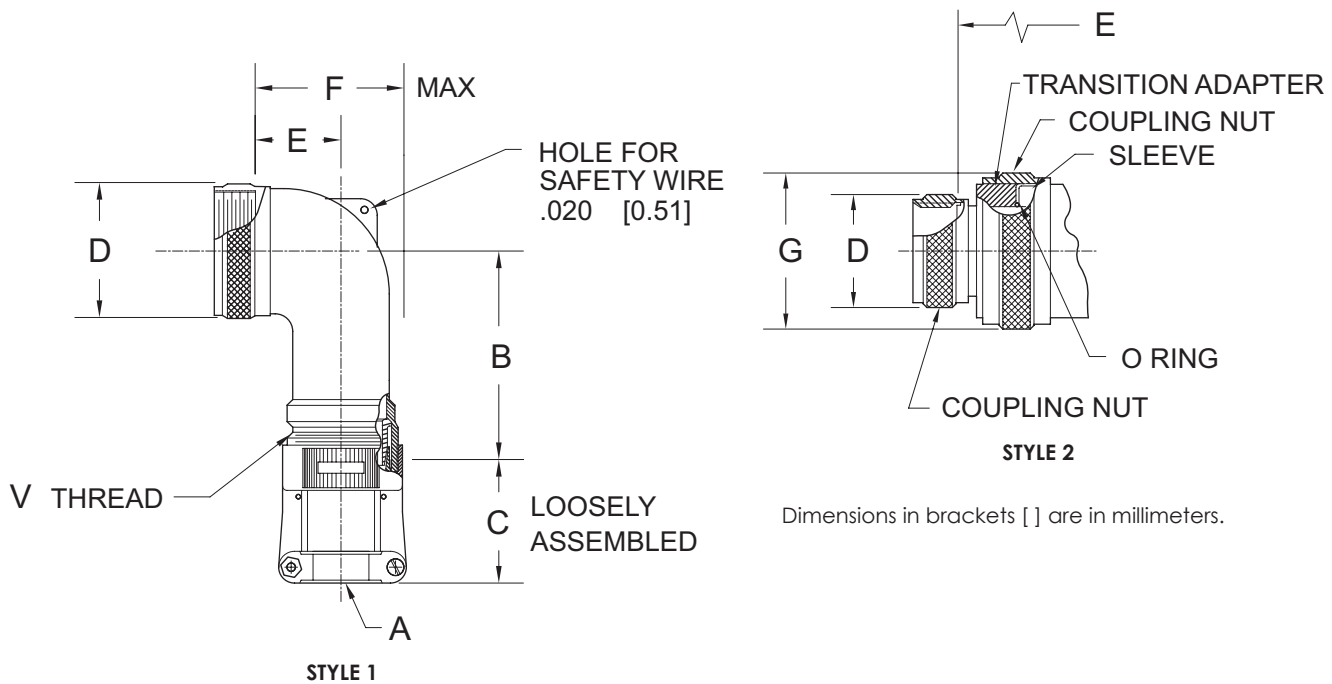
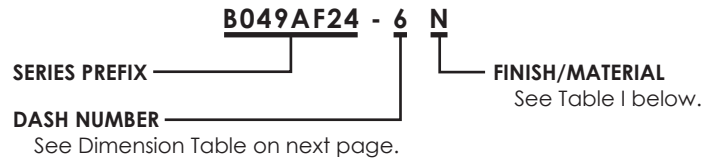


# 90° NON-ENVIRONMENTAL EMI/RFI SHIELD TERMINATION BACKSHELL WITH CABLE CLAMP

B049AF24

For **SC30**, **SC50** & **SC70** Series (AS50151 Crimp & MIL-DTL 26482 Series 2)

## ORDERING INFORMATION



**TABLE I - AVAILABLE FINISHES**

CODE	DESCRIPTION	MATERIAL	TEMP. RANGE	EXCLUSIONS
<b>N</b>	Electroless nickel - In accordance with AMS-C-26074 or AMS 2404.	Aluminum Alloy	-65 to +200 °C	Not for Navy use.
<b>W</b>	Cadmium - Olive drab over suitable underplate, 1000 hour salt spray.		-65 to +175 °C	Not for use in space application.
<b>X</b>	Nickel fluorocarbon polymer. Nickel with fluorocarbon polymer additives over a suitable underplate to withstand 1000 hours of salt spray testing. Color shall be non-reflective. Final finish shall be electrically conductive.		-65 to +175 °C	
<b>Z</b>	Zinc nickel in accordance with ASTM B841 over suitable underplate to withstand 1000 hours of salt spray testing. Color shall be black, conductive, and non-reflective. Final finish shall be electrically conductive.		-65 to +175 °C	
<b>B</b>	Black cadmium - In accordance with AMS-QQ-P-416, Type II, Class 3.	Stainless Steel	-65 to +175 °C	Not for use in space application.
<b>S</b>	Passivate - In accordance with AMS-QQ-P-35, AMS 2700, or ASTM A 967.		-65 to +200 °C	
<b>XS</b>	Nickel fluorocarbon polymer. Nickel with fluorocarbon polymer additives over a suitable underplate to withstand 1000 hours of salt spray testing. Color shall be non-reflective. Final finish shall be electrically conductive.		-65 to +175 °C	
<b>ZS</b>	Zinc nickel in accordance with ASTM B841 over suitable underplate to withstand 1000 hours of salt spray testing. Color shall be black, conductive, and non-reflective. Final finish shall be electrically conductive.		-65 to +175 °C	



# 90° NON-ENVIRONMENTAL EMI/RFI SHIELD TERMINATION BACKSHELL WITH CABLE CLAMP

B049AF24

DASH NO.	FITS SHELL OF CONN.		CLAMP SIZE	A WIRE BUNDLE RANGE [DIA.]		STYLE	B ±.125 [±3.17]	C REF.	ØD MAX.	E ±.125 [±3.17]	F MAX	ØG MAX.	V THREAD CLASS 2A
	MIL-DTL-26482 SERIES 2	AS50151 CRIMP		MIN.	MAX.								
	3	8		8S	4								
4	10	10S, 10SL	4	.125 [3.17]	.312 [7.92]	1	1.920 [48.77]	1.027 [26.09]	.734 [18.64]	.636 [16.15]	1.18 [29.97]	-	.625-24 UNEF
5	10	10S, 10SL	6	.250 [6.35]	.375 [9.52]	1	1.320 [33.53]	1.027 [26.09]	.734 [18.64]	.636 [16.15]	1.27 [32.26]	-	.750-20 UNEF
6	12	12, 12S	4	.125 [3.17]	.312 [7.92]	1	1.940 [49.28]	1.027 [26.09]	.858 [21.79]	.641 [16.28]	1.18 [29.97]	-	.625-24 UNEF
7	12	12, 12S	6	.250 [6.35]	.437 [11.10]	1	1.940 [49.28]	1.027 [26.09]	.858 [21.79]	.641 [16.28]	1.28 [32.51]	-	.750-20 UNEF
8	12	12, 12S	10	.350 [8.89]	.500 [12.70]	1	1.335 [33.91]	1.027 [26.09]	.858 [21.79]	.641 [16.28]	1.37 [34.80]	-	1.000-20 UNEF
9	14	14, 14S	6	.250 [6.35]	.437 [11.10]	1	2.010 [51.05]	1.027 [26.09]	.984 [24.99]	.741 [18.82]	1.38 [35.05]	-	.750-20 UNEF
10	14	14, 14S	10	.350 [8.89]	.575 [14.60]	1	1.655 [42.04]	1.027 [26.09]	.984 [24.99]	.741 [18.82]	1.47 [37.34]	-	1.000-20 UNEF
11	16	16, 16S	6	.250 [6.35]	.437 [11.10]	1	2.100 [53.34]	1.027 [26.09]	1.112 [28.24]	.926 [23.52]	1.59 [40.39]	-	.750-20 UNEF
12	16	16, 16S	12	.500 [12.70]	.700 [17.78]	1	1.745 [44.32]	1.059 [26.90]	1.112 [28.24]	.926 [23.52]	1.77 [44.96]	-	1.187-18 UNEF
13	18	18	10	.350 [8.89]	.625 [15.87]	1	2.270 [57.66]	1.027 [26.09]	1.218 [30.94]	1.016 [25.81]	1.80 [45.72]	-	1.000-20 UNEF
14	18	18	16	.625 [15.87]	.779 [19.79]	1	1.920 [48.77]	1.156 [29.36]	1.218 [30.94]	1.016 [25.81]	1.97 [50.04]	-	1.437-18 UNEF
15	20	20	10	.350 [8.89]	.625 [15.87]	1	2.270 [57.66]	1.027 [26.09]	1.345 [34.16]	1.016 [25.81]	1.80 [45.72]	-	1.000-20 UNEF
16	20	20	16	.625 [15.87]	.904 [22.96]	1	1.920 [48.77]	1.156 [29.36]	1.345 [34.16]	1.016 [25.81]	1.97 [50.04]	-	1.437-18 UNEF
17	22	22	12	.500 [12.70]	.750 [19.05]	1	2.380 [60.45]	1.059 [26.90]	1.468 [37.29]	1.166 [29.62]	2.11 [53.59]	-	1.187-18 UNEF
18	22	22	20	.875 [22.22]	1.029 [26.14]	1	2.025 [51.43]	1.375 [34.92]	1.468 [37.29]	1.166 [29.62]	2.29 [58.17]	-	1.750-18 UNS
19	24	24	12	.500 [12.70]	.750 [19.05]	1	2.380 [60.45]	1.059 [26.90]	1.593 [40.46]	1.166 [29.62]	2.11 [53.59]	-	1.187-18 UNEF
20	24	24	20	.875 [22.22]	1.144 [29.06]	1	2.025 [51.43]	1.375 [34.92]	1.593 [40.46]	1.166 [29.62]	2.29 [58.17]	-	1.750-18 UNS
21	-	28	16	.625 [15.87]	.937 [23.80]	1	2.550 [64.77]	1.156 [29.36]	1.969 [50.01]	1.266 [32.16]	2.33 [59.18]	-	1.437-18 UNEF
22	-	28	24	1.000 [25.40]	1.375 [34.92]	1	2.195 [55.75]	1.500 [38.10]	1.969 [50.01]	1.266 [32.16]	2.51 [63.75]	-	2.000-18 UNS
23	-	32	16	.625 [15.87]	.937 [23.80]	1	2.800 [71.12]	1.156 [29.36]	2.219 [56.36]	1.616 [41.05]	2.81 [71.37]	-	1.437-18 UNEF
24	-	32	20	.875 [22.22]	1.250 [31.75]	1	2.800 [71.12]	1.375 [34.92]	2.219 [56.36]	1.616 [41.05]	2.81 [71.37]	-	1.750-18 UNS
25	-	32	28	1.250 [31.75]	1.625 [41.27]	1	2.445 [62.10]	1.781 [45.24]	2.219 [56.36]	1.616 [41.05]	3.07 [77.98]	-	2.250-16 UN
26	-	36	16	.625 [15.87]	.937 [23.80]	1	2.770 [70.36]	1.156 [29.36]	2.469 [62.71]	1.816 [46.13]	3.13 [79.50]	-	1.437-18 UNEF
27	-	36	24	1.000 [25.40]	1.375 [34.92]	1	2.770 [70.36]	1.500 [38.10]	2.469 [62.71]	1.816 [46.13]	3.13 [79.50]	-	2.000-18 UNS
28	-	36	32	1.437 [36.50]	1.840 [46.74]	1	2.415 [61.34]	1.830 [46.48]	2.469 [62.71]	1.816 [46.13]	3.39 [86.11]	-	2.500-16 UN
29	-	40	16	.625 [15.87]	.937 [23.80]	1	2.770 [70.36]	1.156 [29.36]	2.719 [69.06]	2.566 [65.18]	3.88 [98.55]	-	1.437-18 UNEF
30	-	40	24	1.000 [25.40]	1.375 [34.92]	1	2.770 [70.36]	1.500 [38.10]	2.719 [69.06]	2.566 [65.18]	3.88 [98.55]	-	2.000-18 UNS
31	-	40	32	1.437 [36.50]	1.875 [47.62]	1	2.415 [61.34]	1.830 [46.48]	2.719 [69.06]	2.566 [65.18]	4.14 [105.16]	-	2.500-16 UN

Dimensions in brackets [ ] are in millimeters.

Continued on Next Page



# 90° NON-ENVIRONMENTAL EMI/RFI SHIELD TERMINATION BACKSHELL WITH CABLE CLAMP

B049AF24

Continued from Previous Page

DASH NO.	FITS SHELL OF CONN.		CLAMP SIZE	A WIRE BUNDLE RANGE [DIA.]		STYLE	B ±.125 [±3.17]	C REF.	ØD MAX.	E ±.125 [±3.17]	F MAX	ØG MAX.	V THREAD CLASS 2A
	MIL-DTL-26482 SERIES 2	AS50151 CRIMP		MIN.	MAX.								
	32	-		44	16								
33	-	44	24	1.000 [25.40]	1.375 [34.92]	1	2.770 [70.36]	1.500 [38.10]	2.969 [75.41]	2.566 [65.18]	3.88 [98.55]	-	2.000-18 UNS
34	-	44	32	1.437 [36.50]	1.875 [47.62]	1	2.415 [61.34]	1.830 [46.48]	2.969 [75.41]	2.566 [65.18]	4.14 [105.16]	-	2.500-16 UN
35	-	48	16	.625 [15.87]	.937 [23.80]	1	2.770 [70.36]	1.156 [29.36]	3.219 [81.76]	2.566 [65.18]	3.88 [98.55]	-	1.437-18 UNEF
36	-	48	24	1.000 [25.40]	1.375 [34.92]	1	2.770 [70.36]	1.500 [38.10]	3.219 [81.76]	2.566 [65.18]	3.88 [98.55]	-	2.000-18 UNS
37	-	48	32	1.437 [36.50]	1.875 [47.62]	1	2.415 [61.34]	1.830 [46.48]	3.219 [81.76]	2.566 [65.18]	4.14 [105.16]	-	2.500-16 UN
40	16	16.16S	10	.350 [8.89]	.625 [15.87]	1	2.100 [53.34]	1.027 [26.09]	1.112 [28.24]	.926 [23.52]	1.66 [42.16]	-	1.000-20 UNEF
41	18	18	4	.125 [3.17]	.312 [7.92]	1	2.270 [57.66]	1.027 [26.09]	1.218 [30.94]	1.016 [25.81]	1.80 [45.72]	-	.625-24 UNEF
42	18	18	6	.250 [6.35]	.437 [11.10]	1	2.270 [57.66]	1.059 [26.90]	1.218 [30.94]	1.016 [25.81]	1.80 [45.72]	-	.750-20 UNEF
43	20	20	6	.250 [6.35]	.437 [11.10]	1	2.270 [57.66]	1.059 [26.90]	1.345 [34.16]	1.016 [25.81]	1.80 [45.72]	-	.750-20 UNEF
44	22	22	4	.125 [3.17]	.312 [7.92]	1	2.380 [60.45]	1.027 [26.09]	1.468 [37.29]	1.166 [29.62]	2.11 [53.59]	-	.625-24 UNEF
45	22	22	6	.250 [6.35]	.437 [11.10]	1	2.380 [60.45]	1.059 [26.90]	1.468 [37.29]	1.166 [29.62]	2.11 [53.59]	-	.750-20 UNEF
46	24	24	10	.350 [8.89]	.625 [15.87]	1	2.380 [60.45]	1.027 [26.09]	1.593 [40.46]	1.166 [29.62]	2.11 [53.59]	-	1.000-20 UNEF
47	-	36	12	.500 [12.70]	.750 [19.05]	1	2.770 [70.36]	1.027 [26.09]	2.469 [62.71]	1.816 [46.13]	3.13 [79.50]	-	1.187-18 UNEF
48	-	40	12	.500 [12.70]	.750 [19.05]	1	2.770 [70.36]	1.027 [26.09]	2.719 [69.06]	1.816 [46.13]	3.88 [98.55]	-	1.187-18 UNEF
49	10	10S,10SL	6	.250 [6.35]	.437 [11.10]	2	1.940 [49.28]	1.027 [26.09]	.734 [18.64]	1.391 [35.33]	2.03 [51.56]	.858 [21.79]	.750-20 UNEF
50	14	14.14S	12	.500 [12.70]	.750 [19.05]	2	2.270 [57.66]	1.027 [26.09]	.984 [24.99]	1.766 [44.86]	2.61 [66.29]	1.218 [30.94]	1.187-18 UNEF
51	16	16.16S	16	.625 [15.87]	.937 [23.80]	2	2.380 [60.45]	1.156 [29.36]	1.112 [28.24]	1.916 [48.67]	2.87 [72.90]	1.468 [37.29]	1.437-18 UNEF
52	18	18	12	.500 [12.70]	.750 [19.05]	1	2.270 [57.66]	1.059 [26.90]	1.218 [30.94]	1.016 [25.81]	1.86 [47.24]	-	1.188-18 UNEF
54	20	20	12	.500 [12.70]	.750 [19.05]	1	2.270 [57.66]	1.059 [26.90]	1.345 [34.16]	1.016 [25.81]	1.86 [47.24]	-	1.188-18 UNEF
55	20	20	20	.875 [22.22]	1.250 [31.75]	2	2.550 [64.77]	1.375 [34.92]	1.345 [34.16]	2.016 [51.21]	3.14 [79.76]	1.969 [50.01]	1.750-18 UNS
56	22	22	10	.350 [8.89]	.625 [15.87]	1	2.380 [60.45]	1.027 [26.09]	1.468 [37.29]	1.166 [29.62]	2.11 [53.59]	-	1.000-20 UNEF
57	22	22	16	.625 [15.87]	.937 [23.80]	1	2.380 [60.45]	1.156 [29.36]	1.468 [37.29]	1.166 [29.62]	2.12 [53.85]	-	1.437-18 UNEF
58	22	22	20	.875 [22.22]	1.250 [31.75]	2	2.550 [64.77]	1.375 [34.92]	1.468 [37.29]	2.016 [51.21]	3.14 [79.76]	1.969 [50.01]	1.750-18 UNS
59	24	24	16	.625 [15.87]	.937 [23.80]	1	2.380 [60.45]	1.156 [29.36]	2.093 [53.16]	1.166 [29.62]	2.14 [54.36]	-	1.437-18 UNEF
60	-	28	12	.500 [12.70]	.750 [19.05]	1	2.550 [64.77]	1.059 [26.90]	1.969 [50.01]	1.266 [32.16]	2.33 [59.18]	-	1.188-18 UNEF
61	-	28	20	.875 [22.22]	1.250 [31.75]	1	2.550 [64.77]	1.375 [34.92]	1.969 [50.01]	1.266 [32.16]	2.39 [60.71]	-	1.750-18 UNS
62	-	32	24	1.000 [25.40]	1.375 [34.92]	1	2.800 [71.12]	1.500 [38.10]	2.219 [56.36]	1.616 [41.05]	2.86 [72.64]	-	2.000-18 UNS

Dimensions in brackets [ ] are in millimeters.

Continued on Next Page



# 90° NON-ENVIRONMENTAL EMI/RFI SHIELD TERMINATION BACKSHELL WITH CABLE CLAMP

B049AF24

Continued from Previous Page

DASH NO.	FITS SHELL OF CONN.		CLAMP SIZE	A WIRE BUNDLE RANGE [DIA.]		STYLE	B ±.125 [±3.17]	C REF.	ØD MAX.	E ±.125 [±3.17]	F MAX	ØG MAX.	V THREAD CLASS 2A
	MIL-DTL-26482 SERIES 2	AS50151 CRIMP		MIN.	MAX.								
	63	-		36	20								
64	-	36	28	.875 [22.22] 1.250 [31.75]	1.250 [31.75] 1.625 [41.27]	1	2.770 [70.36]	1.781 [45.24]	2.469 [62.71]	1.816 [46.13]	3.27 [83.06]	-	2.250-16 UN
65	-	40	20	.875 [22.22] 1.250 [31.75]	1.250 [31.75] 1.625 [41.27]	1	2.770 [70.36]	1.375 [34.92]	2.719 [69.06]	2.566 [65.18]	3.88 [98.55]	-	1.750-18 UNS
66	-	40	28	.875 [22.22] 1.250 [31.75]	1.250 [31.75] 1.625 [41.27]	1	2.770 [70.36]	1.781 [45.24]	2.719 [69.06]	2.566 [65.18]	4.02 [102.11]	-	2.250-16 UN
67	-	44	20	.875 [22.22] 1.250 [31.75]	1.250 [31.75] 1.625 [41.27]	1	2.770 [70.36]	1.375 [34.92]	2.969 [75.41]	2.566 [65.18]	3.88 [98.55]	-	1.750-18 UNS
68	-	44	28	.875 [22.22] 1.250 [31.75]	1.250 [31.75] 1.625 [41.27]	1	2.770 [70.36]	1.781 [45.24]	2.969 [75.41]	2.566 [65.18]	4.02 [102.11]	-	2.250-16 UN
69	-	48	20	.875 [22.22] 1.250 [31.75]	1.250 [31.75] 1.625 [41.27]	1	2.770 [70.36]	1.375 [34.92]	3.219 [81.76]	2.566 [65.18]	3.88 [98.55]	-	1.750-18 UNS
70	-	48	28	.875 [22.22] 1.250 [31.75]	1.250 [31.75] 1.625 [41.27]	1	2.770 [70.36]	1.781 [45.24]	3.219 [81.76]	2.566 [65.18]	4.02 [102.11]	-	2.250-16 UN
71	12	12,12S	10	.350 [8.89] .625 [15.87]	.625 [15.87] 1.250 [31.75]	2	2.100 [53.34]	1.027 [26.09]	.858 [21.79]	1.686 [42.82]	2.42 [61.47]	1.112 [28.24]	1.000-20 UNEF
72	18	18	16	.625 [15.87] .937 [23.80]	.937 [23.80] 1.250 [31.75]	2	2.380 [60.45]	1.156 [29.36]	1.218 [30.94]	1.926 [48.92]	2.88 [73.15]	1.468 [37.29]	1.437-18 UNEF
73	24	24	20	.875 [22.22] 1.250 [31.75]	1.250 [31.75] 1.625 [41.27]	2	2.550 [64.77]	1.375 [34.92]	1.468 [37.29]	2.026 [51.46]	3.15 [80.01]	1.969 [50.01]	1.750-18 UNS
74	14	14,14S	4	.125 [3.17] .312 [7.92]	.312 [7.92] 1.250 [31.75]	1	2.010 [51.05]	1.027 [26.09]	.984 [24.99]	.741 [18.82]	1.31 [33.27]	-	.625-24 UNEF
75	16	16,16S	4	.125 [3.17] .312 [7.92]	.312 [7.92] 1.250 [31.75]	1	2.100 [53.34]	1.027 [26.09]	1.112 [28.24]	.926 [23.52]	1.59 [40.39]	-	.625-24 UNEF

Dimensions in brackets [ ] are in millimeters.

6D

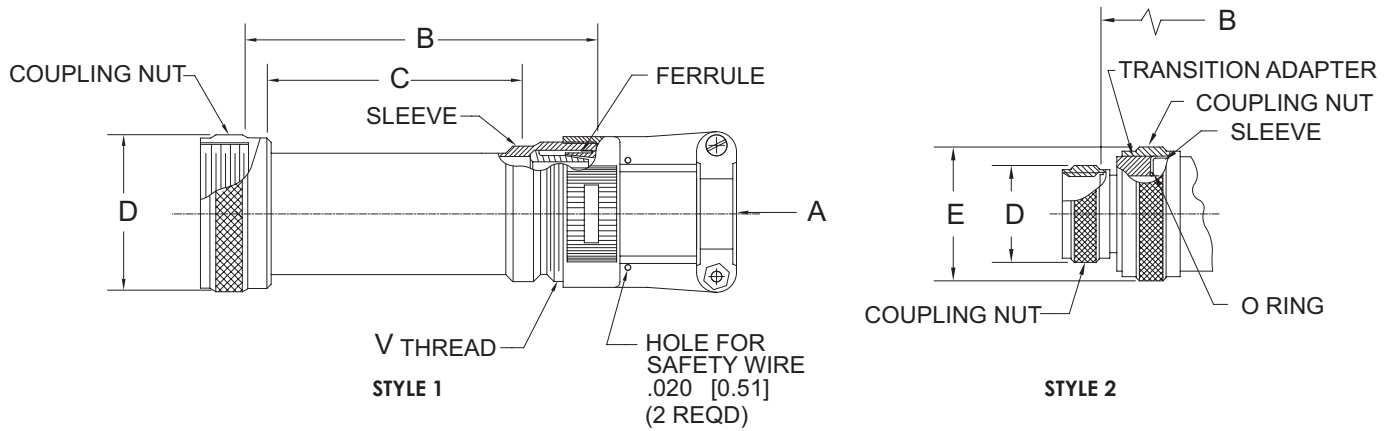
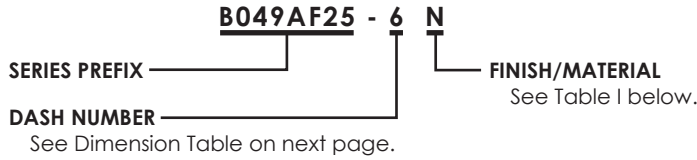


# STRAIGHT NON-ENVIRONMENTAL EMI/RFI SHIELD TERMINATION BACKSHELL WITH CABLE CLAMP

## B049AF25

For **SC30**, **SC50** & **SC70** Series (AS50151 Crimp & MIL-DTL 26482 Series 2)

### ORDERING INFORMATION



Dimensions in brackets [ ] are in millimeters.

**TABLE I - AVAILABLE FINISHES**

CODE	DESCRIPTION	MATERIAL	TEMP. RANGE	EXCLUSIONS
<b>N</b>	Electroless nickel - In accordance with AMS-C-26074 or AMS 2404.	Aluminum Alloy	-65 to +200 °C	Not for Navy use.
<b>W</b>	Cadmium - Olive drab over suitable underplate, 1000 hour salt spray.		-65 to +175 °C	Not for use in space application.
<b>X</b>	Nickel fluorocarbon polymer. Nickel with fluorocarbon polymer additives over a suitable underplate to withstand 1000 hours of salt spray testing. Color shall be non-reflective. Final finish shall be electrically conductive.		-65 to +175 °C	
<b>Z</b>	Zinc nickel in accordance with ASTM B841 over suitable underplate to withstand 1000 hours of salt spray testing. Color shall be black, conductive, and non-reflective. Final finish shall be electrically conductive.		-65 to +175 °C	
<b>B</b>	Black cadmium - In accordance with AMS-QQ-P-416, Type II, Class 3.	Stainless Steel	-65 to +175 °C	Not for use in space application.
<b>S</b>	Passivate - In accordance with AMS-QQ-P-35, AMS 2700, or ASTM A 967.		-65 to +200 °C	
<b>XS</b>	Nickel fluorocarbon polymer. Nickel with fluorocarbon polymer additives over a suitable underplate to withstand 1000 hours of salt spray testing. Color shall be non-reflective. Final finish shall be electrically conductive.		-65 to +175 °C	
<b>ZS</b>	Zinc nickel in accordance with ASTM B841 over suitable underplate to withstand 1000 hours of salt spray testing. Color shall be black, conductive, and non-reflective. Final finish shall be electrically conductive.		-65 to +175 °C	





# STRAIGHT NON-ENVIRONMENTAL EMI/RFI SHIELD TERMINATION BACKSHELL WITH CABLE CLAMP

B049AF25

DASH NO.	FITS SHELL OF CONN.		CLAMP SIZE	A WIRE BUNDLE RANGE [DIA.]		STYLE	B ±.125 [±3.17]	C REF.	ØD MAX.	ØE MAX.	V THREAD CLASS 2A
	MIL-DTL-26482 SERIES 2	AS50151 CRIMP		MIN.	MAX.						
	5	8		8S	4						
6	8	8S	4	.125 [3.17]	.250 [6.35]	1	3.00 [76.20]	2.06 [52.32]	.617 [15.67]	-	.625-24 UNEF
7	8	8S	6	.250 [6.35]	.437 [11.10]	2	2.75 [69.85]	1.81 [45.97]	.617 [15.67]	.858 [21.79]	.750-20 UNEF
8	8	8S	6	.250 [6.35]	.437 [11.10]	2	3.75 [95.25]	2.81 [71.37]	.617 [15.67]	.858 [21.79]	.750-20 UNEF
9	10	10S, 10SL	4	.125 [3.17]	.312 [7.92]	1	2.00 [50.80]	1.06 [26.92]	.734 [18.64]	-	.625-24 UNEF
10	10	10S, 10SL	4	.125 [3.17]	.312 [7.92]	1	3.00 [76.20]	2.06 [52.32]	.734 [18.64]	-	.625-24 UNEF
11	10	10S, 10SL	6	.250 [6.35]	.437 [11.10]	2	2.75 [69.85]	1.81 [45.97]	.734 [18.64]	.858 [21.79]	.750-20 UNEF
12	10	10, 10SL	6	.250 [6.35]	.437 [11.10]	2	3.75 [95.25]	2.81 [71.37]	.734 [18.64]	.858 [21.79]	.750-20 UNEF
13	12	12, 12S	6	.250 [6.35]	.437 [11.10]	1	2.00 [50.80]	1.06 [26.92]	.858 [21.79]	-	.750-20 UNEF
14	12	12, 12S	6	.250 [6.35]	.437 [11.10]	1	3.00 [76.20]	2.06 [52.32]	.858 [21.79]	-	.750-20 UNEF
15	12	12, 12S	10	.350 [8.89]	.625 [15.87]	2	2.75 [69.85]	1.67 [42.42]	.858 [21.79]	1.112 [28.24]	1.000-20 UNEF
16	12	12, 12S	10	.350 [8.89]	.625 [15.87]	2	3.75 [95.25]	2.67 [67.82]	.858 [21.79]	1.112 [28.24]	1.000-20 UNEF
17	14	14, 14S	10	.350 [8.89]	.575 [14.60]	1	2.00 [50.80]	.92 [23.37]	.984 [24.99]	-	1.000-20 UNEF
18	14	14, 14S	10	.350 [8.89]	.575 [14.60]	1	3.00 [76.20]	1.92 [48.77]	.984 [24.99]	-	1.000-20 UNEF
19	14	14, 14S	12	.500 [12.70]	.750 [19.05]	2	2.75 [69.85]	1.67 [42.42]	.984 [24.99]	1.112 [28.24]	1.187-18 UNEF
20	14	14, 14S	12	.500 [12.70]	.750 [19.05]	2	3.75 [95.25]	2.67 [67.82]	.984 [24.99]	1.112 [28.24]	1.187-18 UNEF
21	16	16, 16S	12	.500 [12.70]	.700 [17.78]	1	2.00 [50.80]	.92 [23.37]	1.112 [28.24]	-	1.187-18 UNEF
22	16	16, 16S	12	.500 [12.70]	.700 [17.78]	1	3.00 [76.20]	1.92 [48.77]	1.112 [28.24]	-	1.187-18 UNEF
23	16	16, 16S	16	.625 [15.87]	.937 [23.80]	2	2.75 [69.85]	1.67 [42.42]	1.112 [28.24]	1.468 [37.29]	1.437-18 UNEF
24	16	16, 16S	16	.625 [15.87]	.937 [23.80]	2	3.75 [95.25]	2.67 [67.82]	1.112 [28.24]	1.468 [37.29]	1.437-18 UNEF
25	18	18	10	.350 [8.89]	.625 [15.87]	1	2.00 [50.80]	.92 [23.37]	1.218 [30.94]	-	1.000-20 UNEF
26	18	18	10	.350 [8.89]	.625 [15.87]	1	3.00 [76.20]	1.92 [48.77]	1.218 [30.94]	-	1.000-20 UNEF
27	18	18	12	.500 [12.70]	.750 [19.05]	1	2.00 [50.80]	.92 [23.37]	1.218 [30.94]	-	1.187-18 UNEF
28	18	18	12	.500 [12.70]	.750 [19.05]	1	3.00 [76.20]	1.92 [48.77]	1.218 [30.94]	-	1.187-18 UNEF
29	18	18	16	.625 [15.87]	.937 [23.80]	2	2.75 [69.85]	1.67 [42.42]	1.218 [30.94]	1.468 [37.29]	1.437-18 UNEF
30	18	18	16	.625 [15.87]	.937 [23.80]	2	3.75 [95.25]	2.67 [67.82]	1.218 [30.94]	1.468 [37.29]	1.437-18 UNEF
31	20	20	10	.350 [8.89]	.625 [15.87]	1	2.00 [50.80]	.92 [23.37]	1.345 [34.16]	-	1.000-20 UNEF
32	20	20	10	.350 [8.89]	.625 [15.87]	1	4.00 [101.60]	2.92 [74.17]	1.345 [34.16]	-	1.000-20 UNEF

Dimensions in brackets [ ] are in millimeters.

Continued on Next Page

6D

# STRAIGHT NON-ENVIRONMENTAL EMI/RFI SHIELD TERMINATION BACKSHELL WITH CABLE CLAMP

B049AF25

Continued from Previous Page

DASH NO.	FITS SHELL OF CONN.		CLAMP SIZE	A WIRE BUNDLE RANGE [DIA.]		STYLE	B ±.125 [±3.17]	C REF.	ØD MAX.	ØE MAX.	V THREAD CLASS 2A
	MIL-DTL-26482 SERIES 2	AS50151 CRIMP		MIN.	MAX.						
	33	20		20	12						
34	20	20	12	.500 [12.70]	.750 [19.05]	1	4.00 [101.60]	2.92 [74.17]	1.345 [34.16]	-	1.187-18 UNEF
35	20	20	16	.625 [15.87]	.937 [23.80]	2	3.75 [95.25]	2.67 [67.82]	1.345 [34.16]	1.468 [37.29]	1.437-18 UNEF
36	20	20	16	.625 [15.87]	.937 [23.80]	2	4.75 [120.65]	3.67 [93.22]	1.345 [34.16]	1.468 [37.29]	1.437-18 UNEF
37	20	20	20	.875 [22.22]	1.250 [31.75]	2	3.75 [95.25]	2.67 [67.82]	1.345 [34.16]	1.969 [50.01]	1.750-18 UNS
38	20	20	20	.875 [22.22]	1.250 [31.75]	2	4.75 [120.65]	3.67 [93.22]	1.345 [34.16]	1.969 [50.01]	1.750-18 UNS
39	22	22	10	.350 [8.89]	.625 [15.87]	1	3.00 [76.20]	1.92 [48.77]	1.468 [37.29]	-	1.000-20 UNEF
40	22	22	10	.350 [8.89]	.625 [15.87]	1	4.00 [101.60]	2.92 [74.17]	1.468 [37.29]	-	1.000-20 UNEF
41	22	22	12	.500 [12.70]	.750 [19.05]	1	3.00 [76.20]	1.92 [48.77]	1.468 [37.29]	-	1.187-18 UNEF
42	22	22	12	.500 [12.70]	.750 [19.05]	1	4.00 [101.60]	2.92 [74.17]	1.468 [37.29]	-	1.187-18 UNEF
43	22	22	16	.625 [15.87]	.937 [23.80]	1	3.00 [76.20]	1.92 [48.77]	1.468 [37.29]	-	1.437-18 UNEF
44	22	22	16	.625 [15.87]	.937 [23.80]	1	4.00 [101.60]	2.92 [74.17]	1.468 [37.29]	-	1.437-18 UNEF
45	22	22	20	.875 [22.22]	1.250 [31.75]	2	3.75 [95.25]	2.67 [67.82]	1.468 [37.29]	1.969 [50.01]	1.750-18 UNS
46	22	22	20	.875 [22.22]	1.250 [31.75]	2	4.75 [120.65]	3.67 [93.22]	1.468 [37.29]	1.969 [50.01]	1.750-18 UNS
47	24	24	12	.500 [12.70]	.750 [19.05]	1	3.00 [76.20]	1.92 [48.77]	1.593 [40.46]	-	1.187-18 UNEF
48	24	24	12	.500 [12.70]	.750 [19.05]	1	4.00 [101.60]	2.92 [74.17]	1.593 [40.46]	-	1.187-18 UNEF
49	24	24	16	.625 [15.87]	.812 [20.62]	1	3.00 [76.20]	1.92 [48.77]	1.593 [40.46]	-	1.437-18 UNEF
50	24	24	16	.625 [15.87]	.812 [20.62]	1	4.00 [101.60]	2.92 [74.17]	1.593 [40.46]	-	1.437-18 UNEF
51	24	24	16	.625 [15.87]	.937 [23.80]	1	3.00 [76.20]	1.92 [48.77]	1.593 [40.46]	-	1.437-18 UNEF
52	24	24	16	.625 [15.87]	.937 [23.80]	1	4.00 [101.60]	2.92 [74.17]	1.593 [40.46]	-	1.437-18 UNEF
53	24	24	20	.875 [22.22]	1.250 [31.75]	2	3.75 [95.25]	2.67 [67.82]	1.593 [40.46]	1.969 [50.01]	1.750-18 UNS
54	24	24	20	.875 [22.22]	1.250 [31.75]	2	4.75 [120.65]	3.67 [93.22]	1.593 [40.46]	1.969 [50.01]	1.750-18 UNS
55	-	28	12	.500 [12.70]	.750 [19.05]	1	3.00 [76.20]	1.92 [48.77]	1.969 [50.01]	-	1.187-18 UNEF
56	-	28	12	.500 [12.70]	.750 [19.05]	1	4.00 [101.60]	2.92 [74.17]	1.969 [50.01]	-	1.187-18 UNEF
57	-	28	16	.625 [15.87]	.937 [23.80]	1	3.00 [76.20]	1.92 [48.77]	1.969 [50.01]	-	1.437-18 UNEF
58	-	28	16	.625 [15.87]	.937 [23.80]	1	4.00 [101.60]	2.92 [74.17]	1.969 [50.01]	-	1.437-18 UNEF
59	-	28	20	.875 [22.22]	1.250 [31.75]	1	3.00 [76.20]	1.92 [48.77]	1.969 [50.01]	-	1.750-18 UNS
60	-	28	20	.875 [22.22]	1.250 [31.75]	1	4.00 [101.60]	2.92 [74.17]	1.969 [50.01]	-	1.750-18 UNS
61	-	28	24	1.000 [25.40]	1.375 [34.92]	1	3.00 [76.20]	1.92 [48.77]	1.969 [50.01]	-	2.000-18 UNS
62	-	28	24	1.000 [25.40]	1.375 [34.92]	1	4.00 [101.60]	2.92 [74.17]	1.969 [50.01]	-	2.000-18 UNS
63	-	32	16	.625 [15.87]	.937 [23.80]	1	3.00 [76.20]	1.92 [48.77]	2.219 [56.36]	-	1.437-18 UNEF

Dimensions in brackets [ ] are in millimeters.

Continued on Next Page



# STRAIGHT NON-ENVIRONMENTAL EMI/RFI SHIELD TERMINATION BACKSHELL WITH CABLE CLAMP

B049AF25

Continued from Previous Page

DASH NO.	FITS SHELL OF CONN.		CLAMP SIZE	A WIRE BUNDLE RANGE [DIA.]		STYLE	B ±.125 [±3.17]	C REF.	ØD MAX.	ØE MAX.	V THREAD CLASS 2A
	MIL-DTL-26482 SERIES 2	AS50151 CRIMP		MIN.	MAX.						
	64	-		32	16						
65	-	32	20	.875 [22.22]	1.250 [31.75]	1	3.00 [76.20]	1.92 [48.77]	2.219 [56.36]	-	1.750-18 UNS
66	-	32	20	.875 [22.22]	1.250 [31.75]	1	4.00 [101.60]	2.92 [74.17]	2.219 [56.36]	-	1.750-18 UNS
67	-	32	24	1.000 [25.40]	1.375 [34.92]	1	3.00 [76.20]	1.92 [48.77]	2.219 [56.36]	-	2.000-18 UNS
68	-	32	24	1.000 [25.40]	1.375 [34.92]	1	4.00 [101.60]	2.92 [74.17]	2.219 [56.36]	-	2.000-18 UNS
69	-	32	28	1.250 [31.75]	1.625 [41.27]	1	3.00 [76.20]	1.92 [48.77]	2.219 [56.36]	-	2.250-16 UN
70	-	32	28	1.250 [31.75]	1.625 [41.27]	1	4.00 [101.60]	2.92 [74.17]	2.219 [56.36]	-	2.250-16 UN
71	-	36	20	.875 [22.22]	1.250 [31.75]	1	4.00 [101.60]	2.92 [74.17]	2.469 [62.71]	-	1.750-18 UNS
72	-	36	20	.875 [22.22]	1.250 [31.75]	1	5.00 [127.00]	3.92 [99.57]	2.469 [62.71]	-	1.750-18 UNS
73	-	36	24	1.000 [25.40]	1.375 [34.92]	1	4.00 [101.60]	2.92 [74.17]	2.469 [62.71]	-	2.000-18 UNS
74	-	36	24	1.000 [25.40]	1.375 [34.92]	1	5.00 [127.00]	3.92 [99.57]	2.469 [62.71]	-	2.000-18 UNS
75	-	36	28	1.250 [31.75]	1.625 [41.27]	1	4.00 [101.60]	2.92 [74.17]	2.469 [62.71]	-	2.250-16 UN
76	-	36	28	1.250 [31.75]	1.625 [41.27]	1	5.00 [127.00]	3.92 [99.57]	2.469 [62.71]	-	2.250-16 UN
77	-	36	32	1.437 [36.50]	1.875 [47.62]	2	4.88 [123.95]	3.80 [96.52]	2.469 [62.71]	2.719 [69.06]	2.500-16 UN
78	-	36	32	1.437 [36.50]	1.875 [47.62]	2	5.88 [149.35]	4.80 [121.92]	2.469 [62.71]	2.719 [69.06]	2.500-16 UN
79	-	40	20	.875 [22.22]	1.250 [31.75]	1	4.00 [101.60]	2.92 [74.17]	2.719 [69.06]	-	1.750-18 UNS
80	-	40	20	.875 [22.22]	1.250 [31.75]	1	5.00 [127.00]	3.92 [99.57]	2.719 [69.06]	-	1.750-18 UNS
81	-	40	24	1.000 [25.40]	1.375 [34.92]	1	4.00 [101.60]	2.92 [74.17]	2.719 [69.06]	-	2.000-18 UNS
82	-	40	24	1.000 [25.40]	1.375 [34.92]	1	5.00 [127.00]	3.92 [99.57]	2.719 [69.06]	-	2.000-18 UNS
83	-	40	28	1.250 [31.75]	1.625 [41.27]	1	4.00 [101.60]	2.92 [74.17]	2.719 [69.06]	-	2.250-16 UN
84	-	40	28	1.250 [31.75]	1.625 [41.27]	1	5.00 [127.00]	3.92 [99.57]	2.719 [69.06]	-	2.250-16 UN
85	-	40	32	1.437 [36.50]	1.875 [47.62]	1	4.00 [101.60]	2.92 [74.17]	2.719 [69.06]	-	2.500-16 UN
86	-	40	32	1.437 [36.50]	1.875 [47.62]	1	5.00 [127.00]	3.92 [99.57]	2.719 [69.06]	-	2.500-16 UN
87	-	44	20	.875 [22.22]	1.250 [31.75]	1	4.00 [101.60]	2.92 [74.17]	2.969 [75.41]	-	1.750-18 UNS
88	-	44	20	.875 [22.22]	1.250 [31.75]	1	5.00 [127.00]	3.92 [99.57]	2.969 [75.41]	-	1.750-18 UNS
89	-	44	24	1.000 [25.40]	1.375 [34.92]	1	4.00 [101.60]	2.92 [74.17]	2.969 [75.41]	-	2.000-18 UNS
90	-	44	24	1.000 [25.40]	1.375 [34.92]	1	5.00 [127.00]	3.92 [99.57]	2.969 [75.41]	-	2.000-18 UNS
91	-	44	28	1.250 [31.75]	1.625 [41.27]	1	4.00 [101.60]	2.92 [74.17]	2.969 [75.41]	-	2.250-16 UN
92	-	44	28	1.250 [31.75]	1.625 [41.27]	1	5.00 [127.00]	3.92 [99.57]	2.969 [75.41]	-	2.250-16 UN
93	-	44	32	1.437 [36.50]	1.875 [47.62]	1	4.00 [101.60]	2.92 [74.17]	2.969 [75.41]	-	2.500-16 UN
94	-	44	32	1.437 [36.50]	1.875 [47.62]	1	5.00 [127.00]	3.92 [99.57]	2.969 [75.41]	-	2.500-16 UN

Dimensions in brackets [ ] are in millimeters.

Continued on Next Page

# STRAIGHT NON-ENVIRONMENTAL EMI/RFI SHIELD TERMINATION BACKSHELL WITH CABLE CLAMP

B049AF25

Continued from Previous Page

DASH NO.	FITS SHELL OF CONN.		CLAMP SIZE	A WIRE BUNDLE RANGE [DIA.]		STYLE	B ±.125 [±3.17]	C REF.	ØD MAX.	ØE MAX.	V THREAD CLASS 2A
	MIL-DTL-26482 SERIES 2	AS50151 CRIMP		MIN.	MAX.						
	95	-		48	20						
96	-	48	20	.875 [22.22]	1.250 [31.75]	1	5.00 [127.00]	3.92 [99.57]	3.219 [81.76]	-	1.750-18 UNS
97	-	48	24	1.000 [25.40]	1.375 [34.92]	1	4.00 [101.60]	2.92 [74.17]	3.219 [81.76]	-	2.000-18 UNS
98	-	48	24	1.000 [25.40]	1.375 [34.92]	1	5.00 [127.00]	3.92 [99.57]	3.219 [81.76]	-	2.000-18 UNS
99	-	48	28	1.250 [31.75]	1.625 [41.27]	1	4.00 [101.60]	2.92 [74.17]	3.219 [81.76]	-	2.250-16 UN
100	-	48	28	1.250 [31.75]	1.625 [41.27]	1	5.00 [127.00]	3.92 [99.57]	3.219 [81.76]	-	2.250-16 UN
101	-	48	32	1.437 [36.50]	1.875 [47.62]	1	4.00 [101.60]	2.92 [74.17]	3.219 [81.76]	-	2.500-16 UN
102	-	48	32	1.437 [36.50]	1.875 [47.62]	1	5.00 [127.00]	3.92 [99.57]	3.219 [81.76]	-	2.500-16 UN
111	12	12, 12S	10	.350 [8.89]	.500 [12.70]	1	2.00 [50.80]	1.00 [25.40]	.858 [21.79]	-	1.000-20 UNEF
112	16	16, 16S	6	.250 [6.35]	.437 [11.10]	1	2.00 [50.80]	1.00 [25.40]	1.112 [28.24]	-	.750-20 UNEF
113	16	16, 16S	6	.250 [6.35]	.437 [11.10]	1	3.00 [76.20]	2.00 [50.80]	1.112 [28.24]	-	.750-20 UNEF
114	12	12, 12S	4	.125 [3.17]	.312 [7.92]	1	2.00 [50.80]	1.00 [25.40]	.858 [21.79]	-	.625-24 UNEF
115	12	12, 12S	4	.125 [3.17]	.312 [7.92]	1	3.00 [76.20]	2.00 [50.80]	.858 [21.79]	-	.625-24 UNEF
116	14	14, 14S	6	.250 [6.35]	.437 [11.10]	1	2.00 [50.80]	1.00 [25.40]	.984 [24.99]	-	.750-20 UNEF
117	14	14, 14S	6	.250 [6.35]	.437 [11.10]	1	3.00 [76.20]	2.00 [50.80]	.984 [24.99]	-	.750-20 UNEF
118	16	16, 16S	10	.350 [8.89]	.625 [15.87]	1	2.00 [50.80]	.92 [23.37]	1.112 [28.24]	-	1.000-20 UNEF
119	16	16, 16S	10	.350 [8.89]	.625 [15.87]	1	3.00 [76.20]	1.92 [48.77]	1.112 [28.24]	-	1.000-20 UNEF
120	18	18	4	.125 [3.17]	.312 [7.92]	1	2.00 [50.80]	.92 [23.37]	1.218 [30.94]	-	.625-24 UNEF
121	18	18	4	.125 [3.17]	.312 [7.92]	1	3.00 [76.20]	1.92 [48.77]	1.218 [30.94]	-	.625-24 UNEF
122	18	18	6	.250 [6.35]	.437 [11.10]	1	2.00 [50.80]	.92 [23.37]	1.218 [30.94]	-	.750-20 UNEF
123	18	18	6	.250 [6.35]	.437 [11.10]	1	3.00 [76.20]	1.92 [48.77]	1.218 [30.94]	-	.750-20 UNEF
124	20	20	6	.250 [6.35]	.437 [11.10]	1	3.00 [76.20]	1.92 [48.77]	1.345 [34.16]	-	.750-20 UNEF
125	20	20	6	.250 [6.35]	.437 [11.10]	1	4.00 [101.60]	2.92 [74.17]	1.345 [34.16]	-	.750-20 UNEF
126	22	22	4	.125 [3.17]	.312 [7.92]	1	3.00 [76.20]	1.92 [48.77]	1.468 [37.29]	-	.625-24 UNEF
127	22	22	4	.125 [3.17]	.312 [7.92]	1	4.00 [101.60]	2.92 [74.17]	1.468 [37.29]	-	.625-24 UNEF
128	22	22	6	.250 [6.35]	.437 [11.10]	1	3.00 [76.20]	1.92 [48.77]	1.468 [37.29]	-	.750-20 UNEF
129	22	22	6	.250 [6.35]	.437 [11.10]	1	4.00 [101.60]	2.92 [74.17]	1.468 [37.29]	-	.750-20 UNEF
130	24	24	10	.350 [8.89]	.625 [15.87]	1	3.00 [76.20]	1.92 [48.77]	1.593 [40.46]	-	1.000-20 UNEF
131	24	24	10	.350 [8.89]	.625 [15.87]	1	4.00 [101.60]	2.92 [74.17]	1.593 [40.46]	-	1.000-20 UNEF
132	-	36	12	.500 [12.70]	.750 [19.05]	1	4.00 [101.60]	2.92 [74.17]	2.469 [62.71]	-	1.187-18 UNEF
133	-	36	12	.500 [12.70]	.750 [19.05]	1	5.00 [127.00]	3.92 [99.57]	2.469 [62.71]	-	1.187-18 UNEF

Dimensions in brackets [ ] are in millimeters.

Continued on Next Page



# STRAIGHT NON-ENVIRONMENTAL EMI/RFI SHIELD TERMINATION BACKSHELL WITH CABLE CLAMP

B049AF25

Continued from Previous Page

DASH NO.	FITS SHELL OF CONN.		CLAMP SIZE	A WIRE BUNDLE RANGE [DIA.]		STYLE	B ±.125 [±3.17]	C REF.	ØD MAX.	ØE MAX.	V THREAD CLASS 2A
	MIL-DTL-26482 SERIES 2	AS50151 CRIMP		MIN.	MAX.						
135	-	40	12	.500 [12.70]	.750 [19.05]	1	5.00 [127.00]	3.92 [99.57]	2.719 [69.06]	-	1.187-18 UNEF
136	10	10S, 10SL	6	.250 [6.35]	.375 [9.52]	1	2.00 [50.80]	1.06 [26.92]	.734 [18.64]	-	.750-20 UNEF
137	10	10S, 10SL	6	.250 [6.35]	.375 [9.52]	1	3.00 [76.20]	2.06 [52.32]	.734 [18.64]	-	.750-20 UNEF
138	12	12, 12S	10	.350 [8.89]	.500 [12.70]	1	2.00 [50.80]	1.06 [26.92]	.858 [21.79]	-	1.000-20 UNEF
139	12	12, 12S	10	.350 [8.89]	.500 [12.70]	1	3.00 [76.20]	2.06 [52.32]	.858 [21.79]	-	1.000-20 UNEF
140	20	20	16	.625 [15.87]	.904 [22.96]	1	3.00 [76.20]	1.92 [48.77]	1.345 [34.16]	-	1.437-18 UNEF
141	20	20	16	.625 [15.87]	.904 [22.96]	1	4.00 [101.60]	2.92 [74.17]	1.345 [34.16]	-	1.437-18 UNEF
142	22	22	20	.875 [22.22]	1.029 [26.14]	1	3.00 [76.20]	1.92 [48.77]	1.468 [37.29]	-	1.750-18 UNS
143	22	22	20	.875 [22.22]	1.029 [26.14]	1	4.00 [101.60]	2.92 [74.17]	1.468 [37.29]	-	1.750-18 UNS
144	24	24	20	.875 [22.22]	1.144 [29.06]	1	3.00 [76.20]	1.92 [48.77]	1.593 [40.46]	-	1.750-18 UNS
145	24	24	20	.875 [22.22]	1.144 [29.06]	1	4.00 [101.60]	2.92 [74.17]	1.593 [40.46]	-	1.750-18 UNS
146	-	36	32	1.437 [36.50]	1.840 [46.74]	1	4.00 [101.60]	2.92 [74.17]	2.469 [62.71]	-	2.500-16 UN
147	-	36	32	1.437 [36.50]	1.840 [46.74]	1	5.00 [127.00]	3.92 [99.57]	2.469 [62.71]	-	2.500-16 UN
148	-	36	16	.625 [15.87]	.937 [23.80]	1	4.00 [101.60]	2.92 [74.17]	2.469 [62.71]	-	1.437-18 UNEF
149	-	36	16	.625 [15.87]	.937 [23.80]	1	5.00 [127.00]	3.92 [99.57]	2.469 [62.71]	-	1.437-18 UNEF
150	14	14, 14S	4	.125 [3.17]	.312 [7.92]	1	2.00 [50.80]	.92 [23.37]	.964 [24.49]	-	.625-24 UNEF
151	14	14, 14S	4	.125 [3.17]	.312 [7.92]	1	3.00 [76.20]	1.92 [48.77]	.964 [24.49]	-	.625-24 UNEF
152	16	16, 16S	4	.125 [3.17]	.312 [7.92]	1	2.00 [50.80]	.92 [23.37]	1.112 [28.24]	-	.625-24 UNEF
153	16	16, 16S	4	.125 [3.17]	.312 [7.92]	1	3.00 [76.20]	1.92 [48.77]	1.112 [28.24]	-	.625-24 UNEF
154	-	44	16	.625 [15.87]	.937 [23.80]	1	4.00 [101.60]	2.92 [74.17]	2.969 [75.41]	-	1.437-18 UNEF
155	-	44	16	.625 [15.87]	.937 [23.80]	1	5.00 [127.00]	3.92 [99.57]	2.969 [75.41]	-	1.437-18 UNEF
156	-	40	16	.625 [15.87]	.937 [23.80]	1	4.00 [101.60]	2.92 [74.17]	2.719 [69.06]	-	1.437-18 UNEF
157	-	40	16	.625 [15.87]	.937 [23.80]	1	5.00 [127.00]	3.92 [99.57]	2.719 [69.06]	-	1.437-18 UNEF

Dimensions in brackets [ ] are in millimeters.

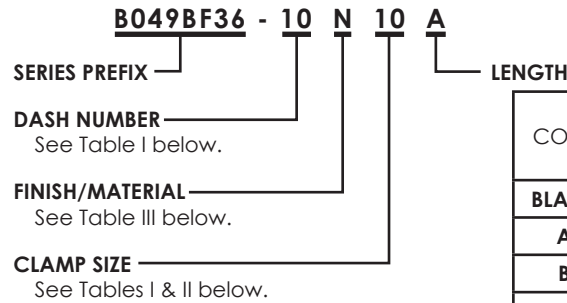
6D

# STRAIGHT NON-ENVIRONMENTAL EMI/RFI BACKSHELL WITH CABLE CLAMP

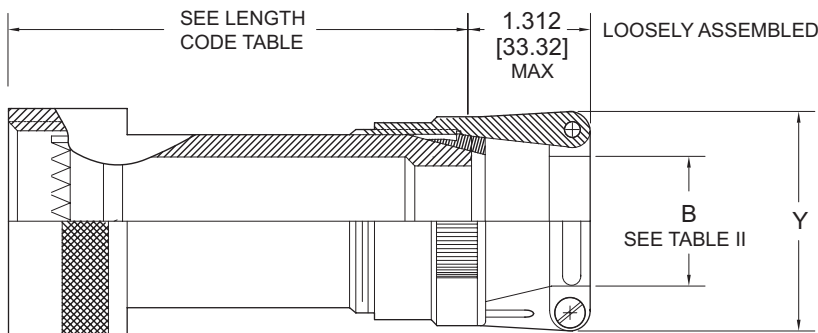
## B049BF36

For **SC1\*** & **SC2\*** Series (MIL-DTL-38999 Series I & II)

### ORDERING INFORMATION



CODE	SHELL SIZE	LENGTH ONE PIECE CONSTRUCTION ±.032 [±0.81]
<b>BLANK</b>	8 thru 24	1.50 [38.10]
<b>A</b>	8 thru 24	2.50 [63.50]
<b>B</b>	14 thru 24	3.50 [88.90]
<b>C</b>	20 thru 24	4.50 [114.30]



**TABLE I**

SHELL SIZE	CONNECTOR SHELL SIZE		CLAMP SIZE RANGE*	
	SERIES II	SERIES I	MIN.	MAX.
8	8	9	01	02
10	10	11	01	03
12	12	13	02	04
14	14	15	02	05
16	16	17	02	06
18	18	19	03	07
20	20	21	03	08
22	22	23	03	09
24	24	25	04	10

\* Clamp size range applicable to M85049/36 only.

**TABLE II**

CLAMP SIZE	B CABLE RANGE		Y MAX
	MIN.	MAX.	
01	.062 [1.57]	.125 [3.17]	.781 [19.84]
02	.125 [3.17]	.250 [6.35]	.969 [24.61]
03	.250 [6.35]	.375 [9.52]	1.062 [26.97]
04	.312 [7.92]	.500 [12.70]	1.156 [29.36]
05	.437 [11.10]	.625 [15.87]	1.250 [31.75]
06	.562 [14.27]	.750 [19.05]	1.375 [34.92]
07	.687 [17.45]	.875 [22.22]	1.500 [38.10]
08	.812 [20.62]	1.000 [25.40]	1.625 [41.27]
09	.937 [23.80]	1.125 [28.57]	1.750 [44.45]
10	1.062 [26.97]	1.250 [31.75]	1.875 [47.62]

Dimensions in brackets [ ] are in millimeters.

**TABLE III - AVAILABLE FINISHES**

CODE	DESCRIPTION	MATERIAL	TEMP. RANGE	EXCLUSIONS
<b>N</b>	Electroless nickel - In accordance with AMS-C-26074 or AMS 2404.	Aluminum Alloy	-65 to +200 °C	Not for Navy use.
<b>W</b>	Cadmium - Olive drab over suitable underplate, 1000 hour salt spray.		-65 to +175 °C	Not for use in space application.
<b>X</b>	Nickel fluorocarbon polymer. Nickel with fluorocarbon polymer additives over a suitable underplate to withstand 1000 hours of salt spray testing. Color shall be non-reflective. Final finish shall be electrically conductive.		-65 to +175 °C	
<b>Z</b>	Zinc nickel in accordance with ASTM B841 over suitable underplate to withstand 1000 hours of salt spray testing. Color shall be black, conductive, and non-reflective. Final finish shall be electrically conductive.		-65 to +175 °C	



# 90° NON-ENVIRONMENTAL EMI/RFI BACKSHELL WITH CABLE CLAMP

B049BF37

For **SC1\*** & **SC2\*** Series (MIL-DTL-38999 Series I & II)

## ORDERING INFORMATION

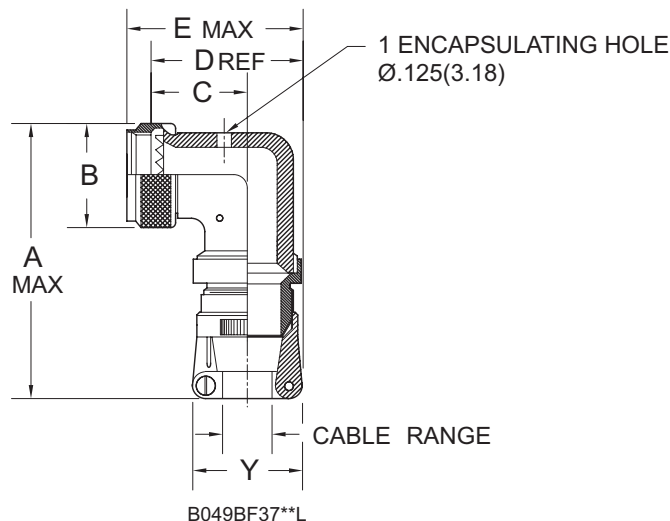
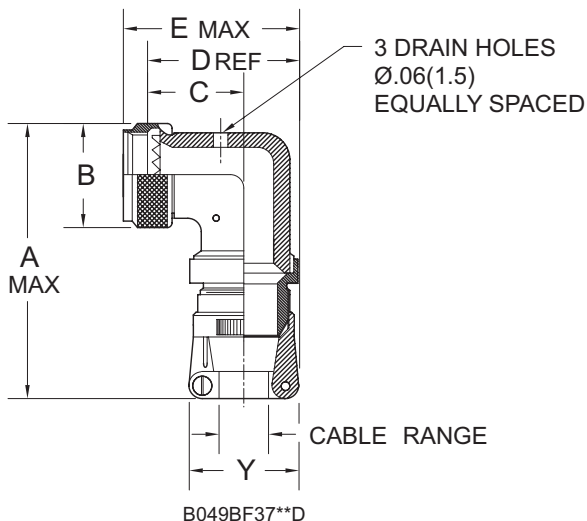
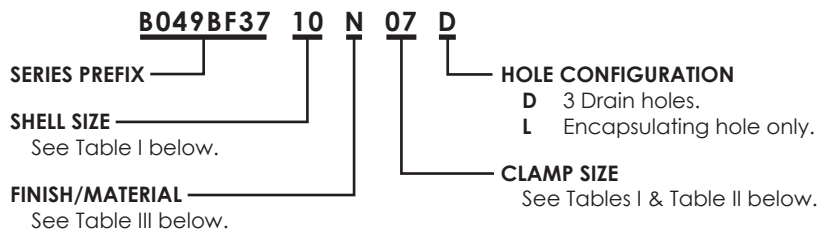


TABLE I

ACCESSORY SHELL SIZE	CONNECTOR SHELL SIZE		CLAMP SIZE (SEE TABLE II)	A MAX.	B MAX.	C MAX.	D REF.	E MAX.
	SERIES I	SERIES II						
8	9	8	01 THRU 02	2.88 [73.15]	.75 [19.05]	.72 [18.29]	1.21 [30.73]	1.45 [36.83]
10	11	10	01 THRU 03	2.92 [74.17]	.85 [21.59]	.72 [18.29]	1.25 [31.75]	1.49 [37.85]
12	13	12	02 THRU 04	3.06 [77.72]	1.00 [25.40]	.80 [20.32]	1.36 [34.54]	1.60 [40.64]
14	15	14	02 THRU 05	3.24 [82.30]	1.10 [27.94]	.85 [21.59]	1.47 [37.34]	1.71 [43.43]
16	17	16	02 THRU 06	3.44 [87.38]	1.25 [31.75]	.91 [23.11]	1.60 [40.64]	1.84 [46.74]
18	19	18	03 THRU 06	3.73 [94.74]	1.40 [35.56]	1.00 [25.40]	1.75 [44.45]	1.99 [50.55]
20	21	20	03 THRU 07	3.94 [100.08]	1.50 [38.10]	1.05 [26.67]	1.82 [46.23]	2.06 [52.32]
22	23	22	03 THRU 08	4.14 [105.16]	1.65 [41.91]	1.10 [27.94]	1.97 [50.04]	2.21 [56.13]
24	25	24	04 THRU 09	4.19 [106.43]	1.75 [44.45]	1.20 [30.48]	2.15 [54.61]	2.30 [58.42]

Dimensions in brackets [ ] are in millimeters.

TABLE II

CLAMP SIZE	CABLE RANGE		Y MAX.
	MIN.	MAX.	
01	.062 [1.57]	.125 [3.17]	.781 [19.84]
02	.125 [3.17]	.250 [6.35]	.969 [24.61]
03	.250 [6.35]	.375 [9.52]	1.062 [26.97]
04	.312 [7.92]	.500 [12.70]	1.156 [29.36]
05	.437 [11-10]	.625 [15.87]	1.250 [31.75]
06	.562 [14.27]	.750 [19.05]	1.375 [34.92]
07	.687 [17.45]	.875 [22.22]	1.500 [38.10]
08	.812 [20.62]	1.000 [25.40]	1.625 [41.27]
09	.937 [23.80]	1.125 [28.57]	1.750 [44.45]

Dimensions in brackets [ ] are in millimeters.

TABLE III - AVAILABLE FINISHES

CODE	DESCRIPTION	MATERIAL	TEMP. RANGE	EXCLUSIONS
N	Electroless nickel - In accordance with AMS-C-26074 or AMS 2404.	Aluminum Alloy	-65 to +200 °C	Not for Navy use.
W	Cadmium - Olive drab over suitable underplate, 1000 hour salt spray.		-65 to +175 °C	Not for use in space application.
X	Nickel fluorocarbon polymer. Nickel with fluorocarbon polymer additives over a suitable underplate to withstand 1000 hours of salt spray testing. Color shall be non-reflective. Final finish shall be electrically conductive.		-65 to +175 °C	
Z	Zinc nickel in accordance with ASTM B841 over suitable underplate to withstand 1000 hours of salt spray testing. Color shall be black, conductive, and non-reflective. Final finish shall be electrically conductive.		-65 to +175 °C	

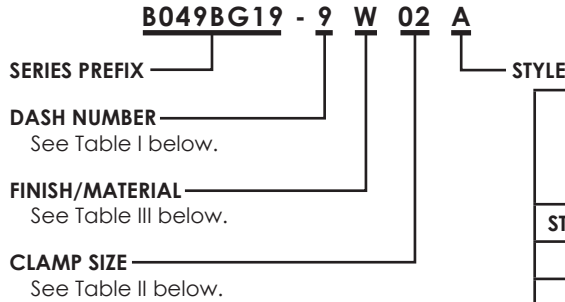


# STRAIGHT NON-ENVIRONMENTAL EMI/RFI BACKSHELL WITH CABLE CLAMP

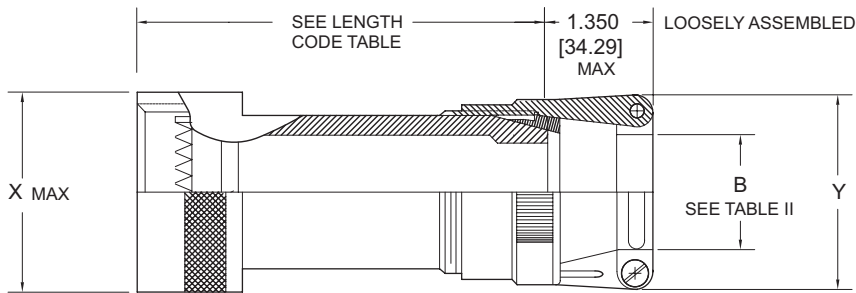
## B049BG19

For **SC3\*** Series (MIL-DTL-38999 Series III)

### ORDERING INFORMATION



CODE	ACCESSORY SHELL SIZE	LENGTH IN INCHES ± .032 [±0.81]
<b>STANDARD</b>	9 thru 25	1.50 [38.10]
<b>A</b>	9 thru 25	2.50 [63.50]
<b>B</b>	15 thru 25	3.50 [88.90]
<b>C</b>	21 thru 25	4.50 [114.30]



**TABLE I**

SHELL SIZE	CLAMP SIZE		X MAX. DIA OF COUPLING RING
	MIN.	MAX.	
9	01	02	.75 [19.05]
11	01	03	.85 [21.59]
13	02	04	1.00 [25.40]
15	02	05	1.10 [27.94]
17	02	06	1.25 [31.75]
19	03	07	1.40 [35.56]
21	03	08	1.50 [38.10]
23	03	09	1.65 [41.91]
25	04	10	1.75 [44.45]

Dimensions in brackets [ ] are in millimeters.

**TABLE II**

CLAMP SIZE	B CABLE RANGE		Y MAX
	MIN.	MAX.	
01	.062 [1.57]	.125 [3.17]	0.800 [20.32]
02	.125 [3.17]	.250 [6.35]	1.000 [25.40]
03	.250 [6.35]	.375 [9.52]	1.100 [27.94]
04	.312 [7.92]	.500 [12.70]	1.200 [30.48]
05	.437 [11.10]	.625 [15.87]	1.250 [31.75]
06	.562 [14.27]	.750 [19.05]	1.400 [35.56]
07	.687 [17.45]	.875 [22.22]	1.500 [38.10]
08	.812 [20.62]	1.000 [25.40]	1.650 [41.91]
09	.937 [23.80]	1.125 [28.57]	1.750 [44.45]
10	1.062 [26.97]	1.250 [31.75]	1.900 [48.26]

Dimensions in brackets [ ] are in millimeters.

**TABLE III - AVAILABLE FINISHES**

CODE	DESCRIPTION	MATERIAL	TEMP. RANGE	EXCLUSIONS
<b>N</b>	Electroless nickel - In accordance with AMS-C-26074 or AMS 2404.	Aluminum Alloy	-65 to +200 °C	Not for Navy use.
<b>W</b>	Cadmium - Olive drab over suitable underplate, 1000 hour salt spray.		-65 to +175 °C	Not for use in space application.
<b>X</b>	Nickel fluorocarbon polymer. Nickel with fluorocarbon polymer additives over a suitable underplate to withstand 1000 hours of salt spray testing. Color shall be non-reflective. Final finish shall be electrically conductive.		-65 to +175 °C	
<b>Z</b>	Zinc nickel in accordance with ASTM B841 over suitable underplate to withstand 1000 hours of salt spray testing. Color shall be black, conductive, and non-reflective. Final finish shall be electrically conductive.		-65 to +175 °C	





# SECTION 7D BACKSHELLS POTTING BOOTS & RINGS

7D

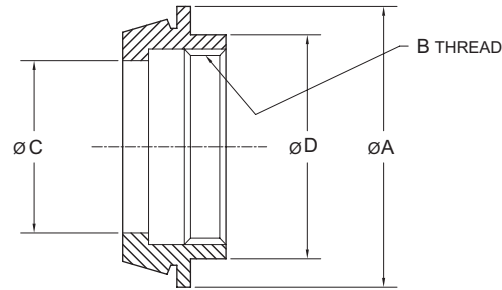
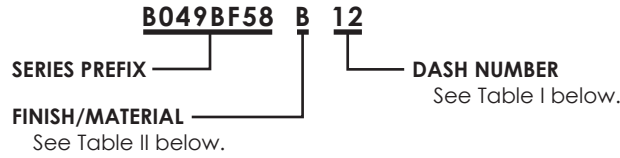


# POTTING BOOT RING

B049BF58

For **SC1\*** & **SC2\*** Series (MIL-DTL-38999 Series I & II)  
 B049BF58 Potting Boot Ring is Used with B049BF75 Potting Boot

## ORDERING INFORMATION



**TABLE I**

DASH NO.	SHELL SIZE		ØA MAX	B THREAD UNEF CLASS 2B	ØC ±.005 [±0.13]	ØD ±.005 [±0.13]
	SERIES I	SERIES II				
8	9	8	.600 [15.24]	.4375-28	.344 [8.74]	.500 [12.70]
10	11	10	.726 [18.44]	.5625-24	.472 [11.99]	.625 [15.87]
12	13	12	.850 [21.59]	.6875-24	.586 [14.88]	.750 [19.05]
14	15	14	.976 [24.79]	.8125-20	.711 [18.06]	.875 [22.22]
16	17	16	1.102 [27.99]	.9375-20	.836 [21.23]	1.000 [25.40]
18	19	18	1.226 [31.14]	1.0625-18	.942 [23.93]	1.125 [28.57]
20	21	20	1.352 [34.34]	1.1875-18	1.067 [27.10]	1.250 [31.75]
22	23	22	1.476 [37.49]	1.3125-18	1.192 [30.28]	1.375 [34.92]
24	25	24	1.602 [40.69]	1.4375-18	1.317 [33.45]	1.500 [38.10]

Dimensions in brackets [ ] are in millimeters.

**TABLE II - AVAILABLE FINISHES**

CODE	DESCRIPTION	MATERIAL	TEMP. RANGE	EXCLUSIONS
<b>N</b>	Electroless nickel - In accordance with AMS-C-26074 or AMS 2404.	Aluminum Alloy	-65 to +200 °C	Not for Navy use.
<b>W</b>	Cadmium - Olive drab over suitable underplate, 1000 hour salt spray.		-65 to +175 °C	Not for use in space application.
<b>X</b>	Nickel fluorocarbon polymer. Nickel with fluorocarbon polymer additives over a suitable underplate to withstand 1000 hours of salt spray testing. Color shall be non-reflective. Final finish shall be electrically conductive.		-65 to +175 °C	
<b>Y</b>	Pure dense electrodeposited aluminum in accordance with MIL-DTL-83488, Type II, to withstand 500 hours of salt spray testing. Color shall be non-reflective. Final finish shall be electrically conductive.		-65 to +175 °C	Not for use on shield termination type connector accessories.
<b>Z</b>	Zinc nickel in accordance with ASTM B841 over suitable underplate to withstand 1000 hours of salt spray testing. Color shall be black, conductive, and non-reflective. Final finish shall be electrically conductive.		-65 to +175 °C	

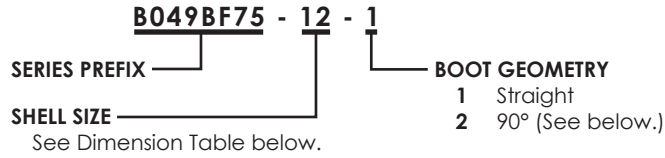


# STRAIGHT POTTING BOOT

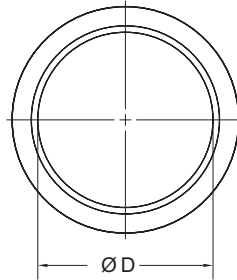
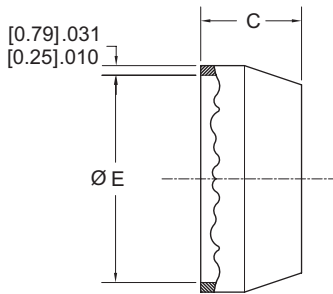
B049BF75-\*-1

For **SC1\*** & **SC2\*** Series (MIL-DTL-38999 Series I & II)  
 B049BF75 Potting Boot is Used with B049BF58 Potting Boot Ring

## ORDERING INFORMATION



MATERIAL: Nylon



SHELL SIZE	C MAX	D MIN. I.D.	ØE -.000 +.010 [0.00] [0.25]
8	.297 [7.54]	.434 [11.02]	.532 [13.51]
10	.297 [7.54]	.548 [13.92]	.657 [16.69]
12	.297 [7.54]	.673 [17.09]	.781 [19.84]
14	.297 [7.54]	.798 [20.27]	.903 [22.94]
16	.297 [7.54]	.899 [22.83]	1.021 [25.93]
18	.297 [7.54]	1.024 [26.01]	1.145 [29.08]
20	.297 [7.54]	1.149 [29.18]	1.270 [32.26]
22	.297 [7.54]	1.274 [32.36]	1.395 [35.43]
24	.297 [7.54]	1.399 [35.53]	1.520 [38.61]

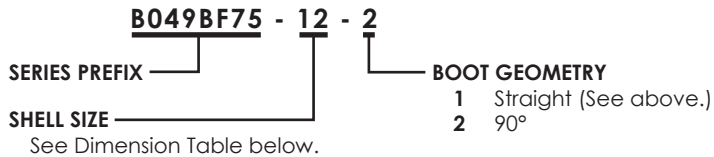
Dimensions in brackets [ ] are in millimeters.

# 90° POTTING BOOT

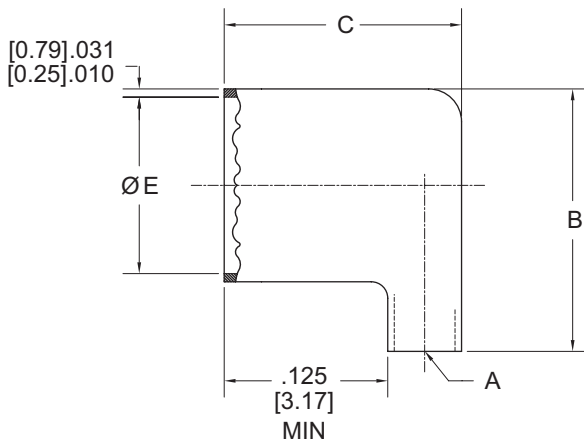
B049BF75-\*-2

For **SC1\*** & **SC2\*** Series (MIL-DTL-38999 Series I & II)  
 B049BF75 Potting Boot is Used with B049BF58 Potting Boot Ring

## ORDERING INFORMATION



MATERIAL: Nylon



SHELL SIZE	A MIN. CROSS-SECTION AREA IN. S.Q.	B MAX.	C MAX.	D MIN. I.D.	ØE +.000 -.010 [0.00] [0.25]
8	.073 [1.85]	.766 [19.46]	.438 [11.13]	.434 [11.02]	.532 [13.51]
10	.117 [2.97]	.891 [22.63]	.469 [11.91]	.548 [13.92]	.657 [16.69]
12	.206 [5.23]	1.031 [26.19]	.562 [14.27]	.673 [17.09]	.781 [19.84]
14	.384 [9.75]	1.156 [29.36]	.719 [18.26]	.798 [20.27]	.903 [22.94]
16	.443 [11.25]	1.287 [32.69]	.781 [19.84]	.899 [22.83]	1.021 [25.93]
18	.561 [14.25]	1.406 [35.71]	.844 [21.44]	1.024 [26.01]	1.145 [29.08]
20	.693 [17.60]	1.531 [38.89]	.906 [23.01]	1.149 [29.18]	1.270 [32.26]
22	.840 [21.34]	1.656 [42.06]	.938 [23.83]	1.274 [32.36]	1.395 [35.43]
24	.999 [25.37]	1.781 [45.24]	1.031 [26.19]	1.399 [35.53]	1.520 [38.61]

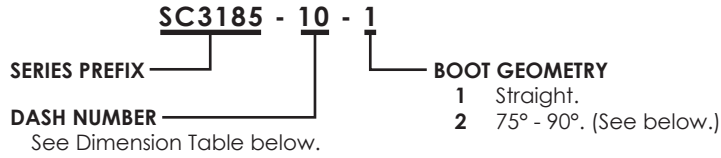
Dimensions in brackets [ ] are in millimeters.

# STRAIGHT POTTING BOOT

SC3185\*-1

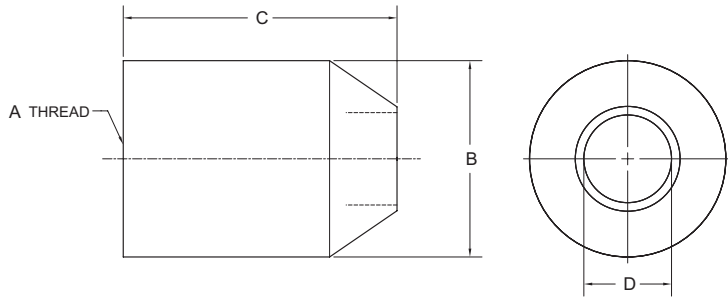
For **SCPT** Series (MIL-DTL-26482 Series I Solder Connectors)

## ORDERING INFORMATION



**MATERIAL:** Nylon

NOTE: Potting Boot Ring Not Required



DASH NO.	SIZE	A THREAD CLASS 2B	ØB MAX	C MAX	D MAX.
-8	8	7/16-28	.608 [15.44]	.825 [20.96]	.317 [8.052]
-10	10	9/16-24	.734 [18.64]	.825 [20.96]	.433 [10.998]
-12	12	11/16-24	.858 [21.79]	.825 [20.96]	.548 [13.919]
-14	14	13/16-20	.984 [24.99]	.825 [20.96]	.673 [17.094]
-16	16	15/16-20	1.110 [28.19]	.825 [20.96]	.798 [20.269]
-18	18	1 1/16-18	1.234 [31.34]	.825 [20.96]	.899 [22.835]
-20	20	1 3/16-18	1.360 [34.54]	.915 [23.24]	1.024 [26.007]
-22	22	1 5/16-18	1.484 [37.69]	.915 [23.24]	1.149 [29.185]
-24	24	1 7/16-18	1.610 [40.89]	.915 [23.24]	1.274 [32.360]

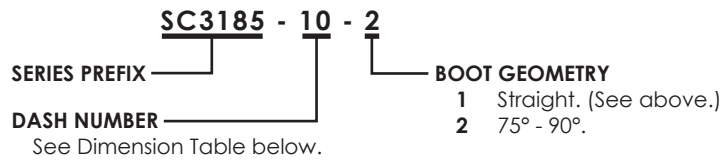
Dimensions in brackets [ ] are in millimeters.

# 90° POTTING BOOT

SC3185\*-2

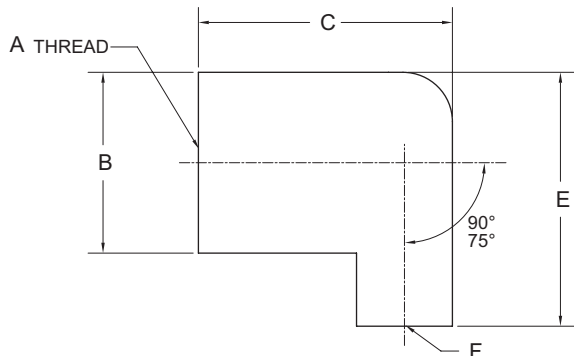
For **SCPT** Series (MIL-DTL-26482 Series I Solder Connectors)

## ORDERING INFORMATION



**MATERIAL:** Nylon

NOTE: Potting Boot Ring Not Required



DASH NO.	SIZE	A THREAD CLASS 2B	ØB MAX	C MAX	E MAX.	F MIN. CROSS-SEC. AREA IN.
-8	8	7/16-28	.608 [15.44]	1.125 [28.57]	1.030 [26.16]	.078 [1.98]
-10	10	9/16-24	.734 [18.64]	1.250 [31.75]	1.125 [28.57]	.147 [3.73]
-12	12	11/16-24	.858 [21.79]	1.344 [34.14]	1.250 [31.75]	.190 [4.83]
-14	14	13/16-20	.984 [24.99]	1.453 [36.91]	1.297 [32.94]	.226 [5.74]
-16	16	15/16-20	1.110 [28.19]	1.516 [38.51]	1.375 [34.92]	.304 [7.72]
-18	18	1 1/16-18	1.234 [31.34]	1.594 [40.49]	1.469 [37.31]	.532 [13.51]
-20	20	1 3/16-18	1.360 [34.54]	1.750 [44.45]	1.700 [43.18]	.619 [15.72]
-22	22	1 5/16-18	1.484 [37.69]	1.828 [46.43]	1.703 [43.26]	.690 [17.53]
-24	24	1 7/16-18	1.610 [40.89]	2.125 [53.97]	2.100 [53.34]	.806 [20.47]

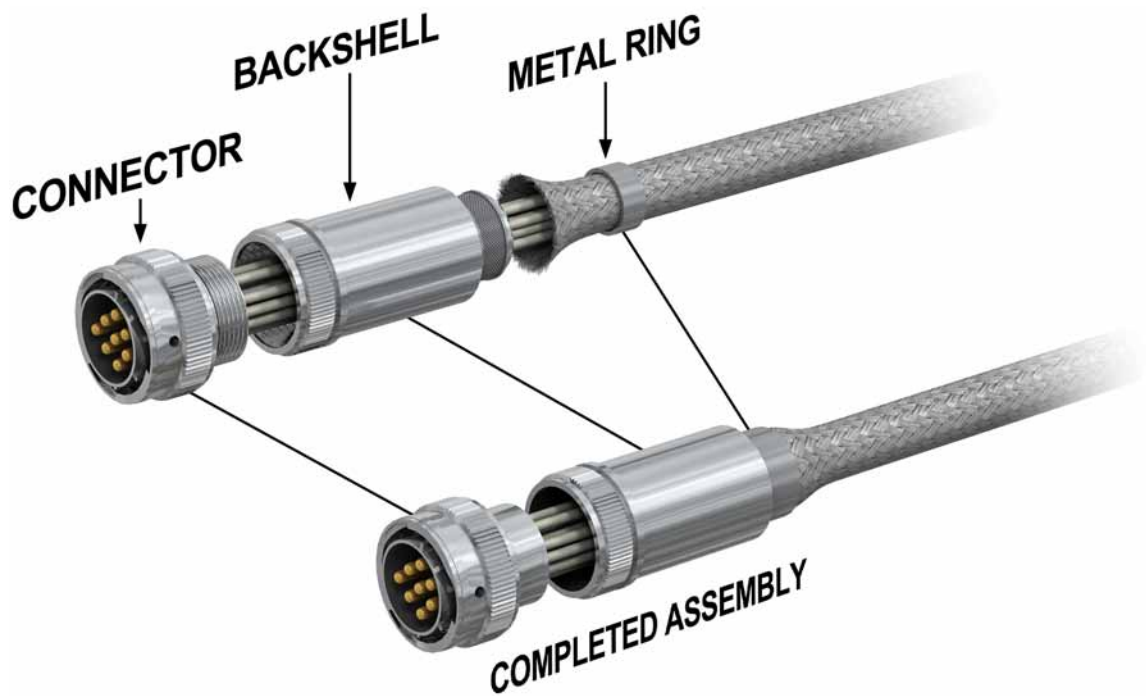
Dimensions in brackets [ ] are in millimeters.



# SECTION 8D

## BACKSHELLS

### SHIELD TERMINATIONS



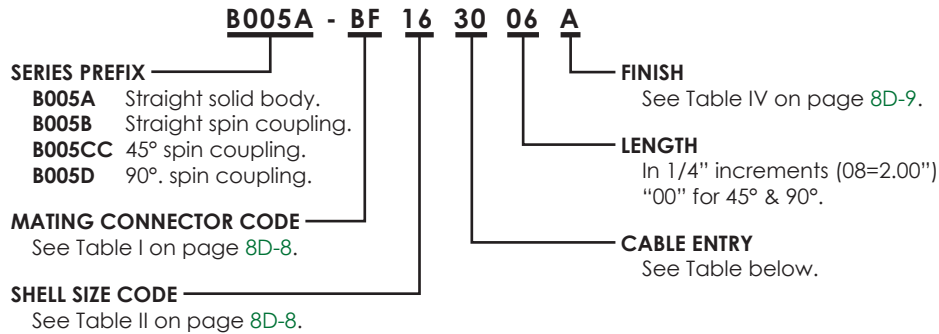
8D

# STRAIGHT, 45° & 90° BACKSHELL CRIMP RING SHIELD TERMINATION FOR SHRINK BOOT

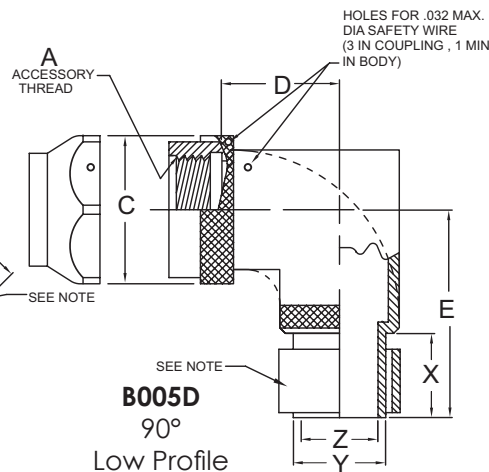
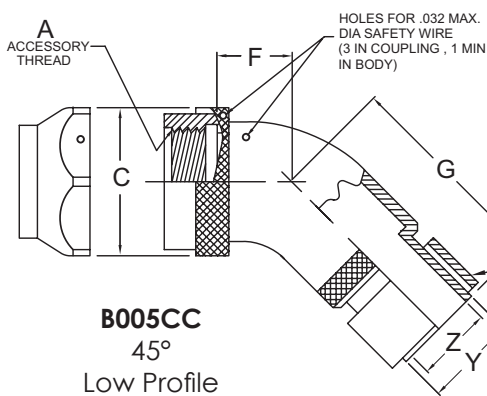
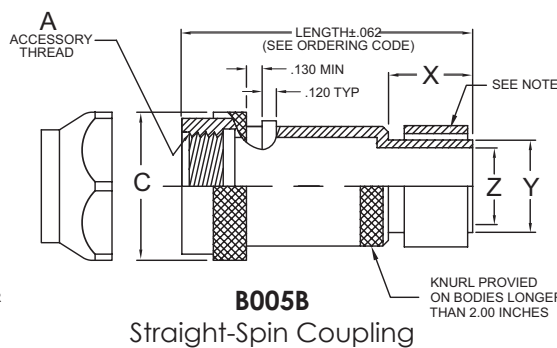
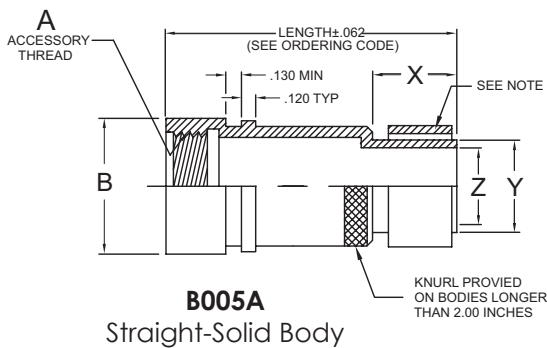
B005A, B005B, B005CC, B005D

Various Series. See Table I on Page 8D-8.

## ORDERING INFORMATION



An interfacial adapter will be supplied when maximum cable entry exceeds the connector insert diameter. See Page 8D-6.



## CABLE ENTRY CODE

CABLE ENTRY CODE	X ±.015	Y O.D. ±.010	Z I.D. ±.010
06	.312	.113	.090
10	.312	.145	.124
13	.312	.179	.149
16	.312	.215	.175
20	.312	.250	.219
23	.312	.281	.250
26	.312	.306	.275
29	.312	.335	.297
30	.312	.365	.312
31	.312	.406	.375
32	.312	.500	.430
33	.600	.620	.550
34	.600	.750	.620
35	.600	.880	.810
36	.600	1.000	.920
37	.600	1.120	.990
38	.600	1.120	1.040
39	.600	1.192	1.122
40	.600	1.294	1.224
41	.600	1.423	1.353
42	.600	1.545	1.425
43	.600	1.670	1.550

NOTE: due to the various types and thicknesses of shielding used, crimp rings are not supplied with these adapters. see b049af26-2 on page 8d-12 for available sizes of crimp rings as well as crimp tools and dies.



# STRAIGHT, 45° & 90° BACKSHELL CRIMP RING SHIELD TERMINATION FOR SHRINK BOOT

B005A, B005B, B005CC, B005D

A ACCESSORY THREAD	MATES WITH SHELL SIZE BELOW BY CONNECTOR CODE								B MAX.	C MAX.	D MAX.	E MAX.	F MAX.	G MAX.	
	AB	AF	AK	AM	BA	BB	BF								BG
			SWLD†	SWL†			SERIES								
	*1	*2			I	II	III								
.375-32UNEF	8S								.531	.688	.500	1.000	.750	1.125	
.438-28UNEF					8		9	8	.594	.688	.500	1.000	.750	1.125	
.500-20UNF		8 & 8S							.656	.617	.500	1.000	.750	1.125	
.500-28UNEF	10S			10					.656	.850	.500	1.000	.750	1.188	
M12x 1.0								9	.656	.688	.750	1.031	1.000	1.250	
.562-24UNEF					10		11	10	.719	.812	.750	1.031	1.000	1.250	
.625-24UNEF	10SL, 12 & 12S	10, 10S & 10SL		12		8			.781	.875	.750	1.031	1.000	1.250	
M15x 1.0								11	.781	.812	.750	1.062	1.000	1.312	
.688-24UNEF					12		13	12	.844	.938	.812	1.062	1.062	1.312	
.750-20UNEF	14 & 14S	12 & 12S	12	14		10			.906	1.000	.812	1.062	1.062	1.312	
M18x 1.0								13	.906	.938	.812	1.125	1.062	1.312	
.812-20UNEF					14		15	14	.969	1.062	.812	1.125	1.062	1.375	
.875-20UNEF	16 & 16S	14 & 14S	14	16		12			1.031	1.125	.812	1.125	1.062	1.375	
M22x 1.0								15	1.031	1.062	.812	1.188	1.062	1.438	
.938-20UNEF					16		17	16	1.094	1.188	.844	1.188	1.125	1.438	
1.000-20UNEF	18	16 & 16S	16	18		14			1.156	1.250	.844	1.188	1.125	1.438	
M25x 1.0								17	1.156	1.188	.844	1.188	1.125	1.500	
1.062-18UNEF		18			18		19	18	1.219	1.312	.875	1.188	1.188	1.500	
1.125-18UNEF	20		18	20		16			1.281	1.375	.875	1.188	1.188	1.562	
M28x 1.0								19	1.281	1.312	.875	1.188	1.188	1.562	
1.188-18UNEF		20			20		21	20	1.344	1.438	.938	1.188	1.250	1.562	
1.250-18UNEF	22		20	22		18			1.406	1.500	.938	1.188	1.250	1.625	
M31 x 1.0								21	1.406	1.438	.938	1.250	1.250	1.625	
1.312-18UNEF		22			22		23	22	1.469	1.562	.938	1.250	1.250	1.625	
1.375-18UNEF	24		22	24		20			1.531	1.625	.938	1.250	1.250	1.625	
M34x 1.0								23	1.531	1.562	.938	1.312	1.250	1.750	
1.438-18UNEF		24			24		25	24	1.594	1.688	1.000	1.312	1.375	1.750	
1.500-18UNEF						22			1.656	1.688	1.000	1.312	1.375	1.750	
M37x 1.0								25	1.656	1.688	1.000	1.312	1.375	1.750	
1.625-18UNEF	28		24	28		24			1.844	1.969	1.000	1.312	1.375	1.750	
1.750-18UNS		28							1.969	2.094	1.000	1.438	1.375	1.812	
1.875-16UN	32		28	32					2.094	2.219	1.125	1.438	1.500	1.812	
2.000-18UNS		32							2.219	2.344	1.125	1.438	1.500	1.812	
2.062-16UNS	36		32	36					2.281	2.406	1.125	1.500	1.500	2.125	
2.250-16UN		36							2.469	2.594	1.125	1.500	1.500	2.250	
2.312-16UNS	40		36	40					2.531	2.656	1.250	1.500	1.625	2.250	
2.500-16UN		40							2.719	2.844	1.250	1.500	1.500	2.250	
2.625-16UN			40	44					2.844	2.969	1.250	1.500	1.625	2.375	
2.750-16UN		44							2.969	2.969	1.250	1.500	1.625	2.375	
2.875-16UN			44	48					3.094	3.281	1.250	1.500	1.625	2.375	
3.000-16UN		48							3.219	2.406	1.250	1.500	1.625	2.375	

\* 1 - Shell Sizes I, A, W, AS50151 (Crimp), MIL-DTL-26482 (Series 2)

\* 2 - Shell Sizes I, A, W, MIL-DTL-22992 Class C, J & R

† Left hand threads

8D

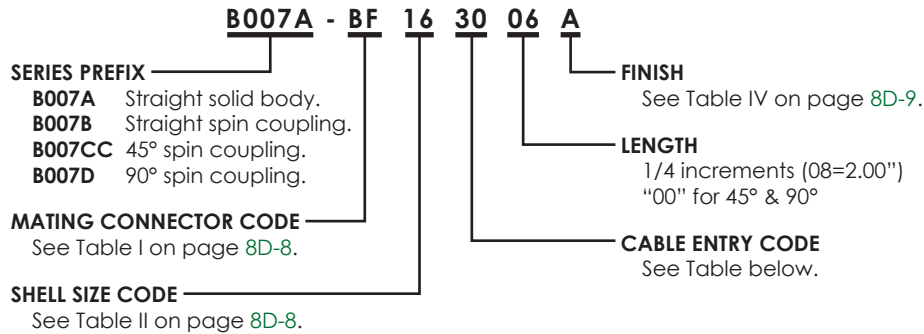


# STRAIGHT 45° & 90° BACKSHELL CRIMP RING SHIELD TERMINATION

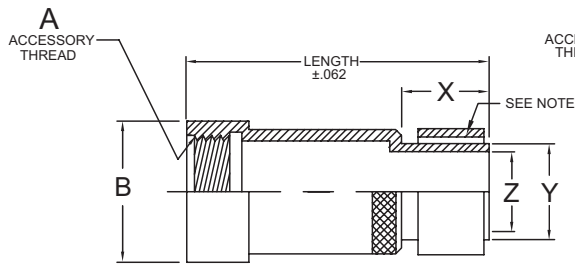
B007A, B007B, B007CC, B007D

Various Series. See Table I on Page 8D-8.

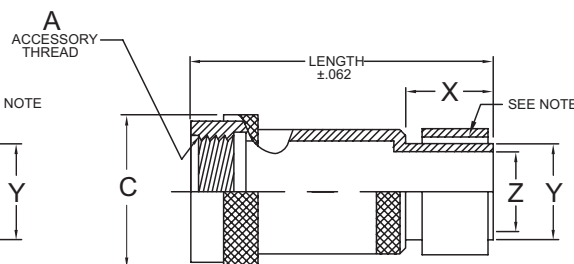
## ORDERING INFORMATION



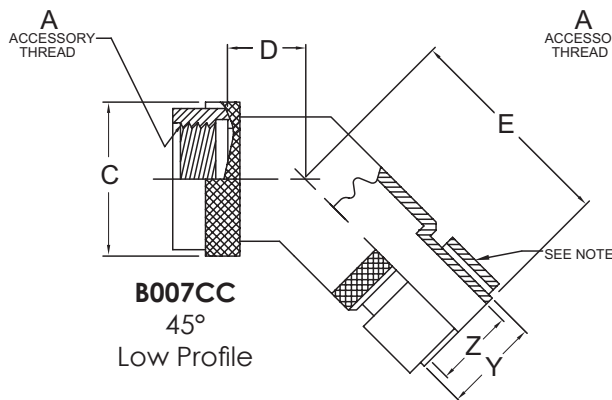
An interfacial adapter will be supplied when maximum cable entry exceeds the connector insert diameter. See Page 8D-6.



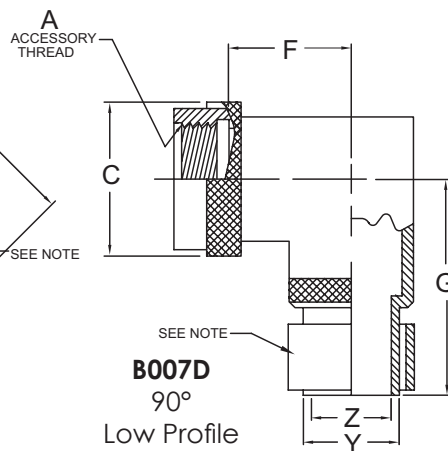
**B007A**  
Straight-Solid Body



**B007B**  
Straight-Spin Coupling



**B007CC**  
45°  
Low Profile



**B007D**  
90°  
Low Profile

CABLE ENTRY CODE	X ±.015	Y O.D ±.010	Z I.D ±.010
06	.312	.113	.090
10	.312	.145	.124
13	.312	.179	.149
16	.312	.215	.175
20	.312	.250	.219
23	.312	.281	.250
26	.312	.306	.275
29	.312	.335	.297
30	.312	.365	.312
31	.312	.406	.375
32	.312	.500	.430
33	.600	.620	.550
34	.600	.750	.620
35	.600	.880	.810
36	.600	1.000	.920
37	.600	1.120	.990
38	.600	1.120	1.040
39	.600	1.192	1.122
40	.600	1.294	1.224
41	.600	1.423	1.353
42	.600	1.545	1.425
43	.600	1.670	1.550

Reference: MIL-DTL-85049/26-2 Crimp Ring not supplied with assembly.

NOTE: due to the various types and thicknesses of shielding used, crimp rings are not supplied with these adapters. See B049AF26-2 on page 8D-12 for available sizes of crimp rings as well as crimp tools and dies.





# STRAIGHT 45° & 90° BACKSHELL CRIMP RING SHIELD TERMINATION

B007A, B007B, B007CC, B007D

A ACCESSORY THREAD	MATES WITH SHELL SIZE BELOW BY CONNECTOR CODE								B MAX.	C MAX.	D MAX.	E MAX.	F MAX.	G MAX.	
	AB	AF	AK	AM	BA	BB	BF								BG
			SWLD†	SWL†			SERIES								
	*1	*2			I	II	III								
.375-32UNEF	8S								.531	.688	.500	1.000	.750	1.125	
.438-28UNEF					8		9	8	.594	.688	.500	1.000	.750	1.125	
.500-20UNF		8 & 8S							.656	.617	.500	1.000	.750	1.125	
.500-28UNEF	10S			10					.656	.850	.500	1.000	.750	1.188	
M12x 1.0								9	.656	.688	.750	1.031	1.000	1.250	
.562-24UNEF					10		11	10	.719	.812	.750	1.031	1.000	1.250	
.625-24UNEF	10SL, 12 & 12S	10, 10S & 10SL		12		8			.781	.875	.750	1.031	1.000	1.250	
M15x 1.0								11	.781	.812	.750	1.062	1.000	1.312	
.688-24UNEF					12		13	12	.844	.938	.812	1.062	1.062	1.312	
.750-20UNEF	14 & 14S	12 & 12S	12	14		10			.906	1.000	.812	1.062	1.062	1.312	
M18x 1.0								13	.906	.938	.812	1.125	1.062	1.312	
.812-20UNEF					14		15	14	.969	1.062	.812	1.125	1.062	1.375	
.875-20UNEF	16 & 16S	14 & 14S	14	16		12			1.031	1.125	.812	1.125	1.062	1.375	
M22x 1.0								15	1.031	1.062	.812	1.188	1.062	1.438	
.938-20UNEF					16		17	16	1.094	1.188	.844	1.188	1.125	1.438	
1.000-20UNEF	18	16 & 16S	16	18		14			1.156	1.250	.844	1.188	1.125	1.438	
M25x 1.0								17	1.156	1.188	.844	1.188	1.125	1.500	
1.062-18UNEF		18			18		19	18	1.219	1.312	.875	1.188	1.188	1.500	
1.125-18UNEF	20		18	20		16			1.281	1.375	.875	1.188	1.188	1.562	
M28x 1.0								19	1.281	1.312	.875	1.188	1.188	1.562	
1.188-18UNEF		20			20		21	20	1.344	1.438	.938	1.188	1.250	1.562	
1.250-18UNEF	22		20	22		18			1.406	1.500	.938	1.188	1.250	1.625	
M31 x 1.0								21	1.406	1.438	.938	1.250	1.250	1.625	
1.312-18UNEF		22			22		23	22	1.469	1.562	.938	1.250	1.250	1.625	
1.375-18UNEF	24		22	24		20			1.531	1.625	.938	1.250	1.250	1.625	
M34x 1.0								23	1.531	1.562	.938	1.312	1.250	1.750	
1.438-18UNEF		24			24		25	24	1.594	1.688	1.000	1.312	1.375	1.750	
1.500-18UNEF						22			1.656	1.688	1.000	1.312	1.375	1.750	
M37x 1.0								25	1.656	1.688	1.000	1.312	1.375	1.750	
1.625-18UNEF	28		24	28		24			1.844	1.969	1.000	1.312	1.375	1.750	
1.750-18UNS		28							1.969	2.094	1.000	1.438	1.375	1.812	
1.875-16UN	32		28	32					2.094	2.219	1.125	1.438	1.500	1.812	
2.000-18UNS		32							2.219	2.344	1.125	1.438	1.500	1.812	
2.062-16UNS	36		32	36					2.281	2.406	1.125	1.500	1.500	2.125	
2.250-16UN		36							2.469	2.594	1.125	1.500	1.500	2.250	
2.312-16UNS	40		36	40					2.531	2.656	1.250	1.500	1.625	2.250	
2.500-16UN		40							2.719	2.844	1.250	1.500	1.500	2.250	
2.625-16UN			40	44					2.844	2.969	1.250	1.500	1.625	2.375	
2.750-16UN		44							2.969	2.969	1.250	1.500	1.625	2.375	
2.875-16UN			44	48					3.094	3.281	1.250	1.500	1.625	2.375	
3.000-16UN		48							3.219	2.406	1.250	1.500	1.625	2.375	

\* 1 - Shell Sizes I, A, W, AS50151 (Crimp), MIL-DTL-26482 (Series 2)  
 \* 2 - Shell Sizes I, A, W, MIL-DTL-22992 Class C, J & R  
 † Left hand threads

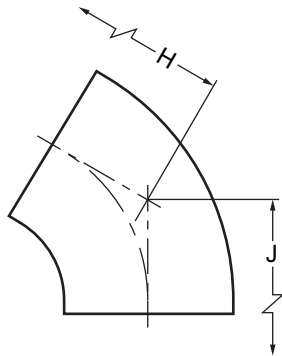
8D

# CONFIGURATIONS

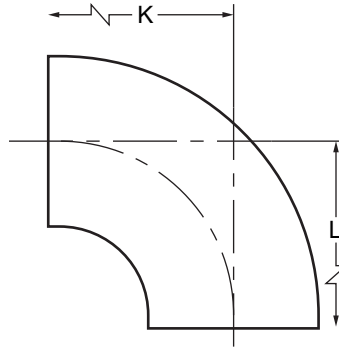
## CONFIGURATION CODES

CODE					DESCRIPTION
STRAIGHT	45°	45° BENT TUBE	90°	90° BENT TUBE	
A					Solid body
B	CC	C	D	H	Round non-locking nut, .032" safety wire holes
E	FF	F	G	K	Hex non-locking nut, .032 safety wire holes

## BENT TUBE CONFIGURATIONS

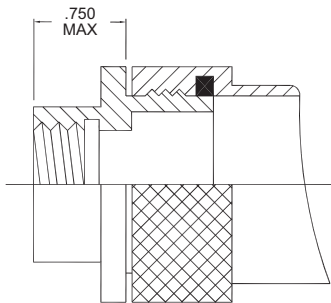


**45°  
Bent Tube**

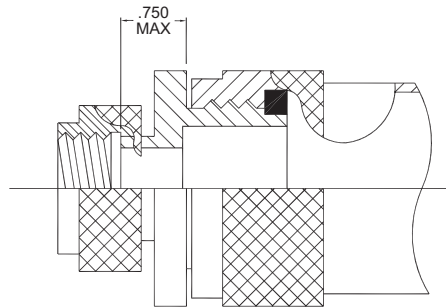


**90°  
Bent Tube**

## INTERFACIAL ADAPTER CONFIGURATIONS



**Straight Solid  
Configuration**



**Straight 45° & 90°  
Spin Configuration**

O-Rings Supplied for Environmental Assemblies Only



# BENT TUBE DIMENSIONS

A ACCESSORY THREAD	MATES WITH SHELL SIZE BELOW BY CONNECTOR CODE								H MAX.	J MAX.	K MAX.	L MAX.	
	AB	AF	AK	AM	BA	BB	BF						BG
			SWLD†	SWLD†			SERIES						
			*1	*2			I	II					III
.375-32UNEF	8S								.812	.875	1.125	1.188	
.438-28UNEF					8		9	8		.812	.875	1.125	1.188
.500-20UNF		8 & 8S								.812	.875	1.125	1.188
.500-28UNEF	10S			10						.812	.875	1.125	1.188
M12x 1.0								9		.812	.875	1.125	1.188
.562-24UNEF					10		11	10		.875	.938	1.250	1.312
.625-24UNEF	10SL, 12 & 12S	10, 10S & 10SL		12		8				.875	.938	1.250	1.312
M15x 1.0									11	.875	.938	1.250	1.312
.688-24UNEF					12		13	12		.938	1.000	1.375	1.438
.750-20UNEF	14 & 14S	12 & 12S	12	14		10				.938	1.000	1.375	1.438
M18x 1.0									13	.938	1.000	1.375	1.438
.812-20UNEF					14		15	14		1.000	1.062	1.500	1.562
.875-20UNEF	16 & 16S	14 & 14S	14	16		12				1.000	1.062	1.500	1.562
M22x 1.0									15	1.000	1.062	1.500	1.562
.938-20UNEF					16		17	16		1.062	1.125	1.625	1.688
1.000-20UNEF	18	16 & 16S	16	18		14				1.062	1.125	1.625	1.688
M25x 1.0									17	1.062	1.125	1.625	1.688
1.062-18UNEF		18			18		19	18		1.094	1.156	1.750	1.812
1.125-18UNEF	20		18	20		16				1.094	1.156	1.750	1.812
M28x 1.0									19	1.094	1.156	1.750	1.812
1.188-18UNEF		20			20		21	20		1.156	1.219	1.875	1.938
1.250-18UNEF	22		20	22		18				1.156	1.219	1.875	1.938
M31 x 1.0									21	1.156	1.219	1.875	1.938
1.312-18UNEF		22			22		23	22		1.188	1.250	2.000	2.062
1.375-18UNEF	24		22	24		20				1.188	1.250	2.000	2.062
M34x 1.0									23	1.188	1.250	2.000	2.062
1.438-18UNEF		24			24		25	24		1.250	1.312	2.125	2.188
1.500-18UNEF						22				1.250	1.312	2.125	2.188
M37x 1.0									25	1.250	1.312	2.125	2.188
1.625-18UNEF	28		24	28		24				1.344	1.625	2.375	2.625
1.750-18UNS		28								1.344	1.625	2.375	2.625
1.875-16UN	32		28	32						1.438	1.812	2.625	3.000
2.000-18UNS		32								1.438	1.812	2.625	3.000
2.062-16UNS	36		32	36						1.562	1.938	2.875	3.250
2.250-16UN		36								1.562	1.938	2.875	3.250
2.312-16UNS	40		36	40						1.688	2.062	3.125	3.500
2.500-16UN		40								1.688	2.062	3.125	3.500
2.625-16UN			40	44						1.750	2.188	3.375	3.812
2.750-16UN		44								1.750	2.188	3.375	3.812
2.875-16UN			44	48						1.875	2.312	3.625	4.062
3.000-16UN		48								1.875	2.312	3.625	4.062

\* 1 - Shell Sizes I, A, W, AS50151 (Crimp), MIL-DTL-26482 (Series 2)

\* 2 - Shell Sizes I, A, W, MIL-DTL-22992 Class C, J & R

† Left hand threads

8D

# MATING CONNECTOR CODES

**TABLE I. MATING CONNECTOR CODES**

CODE	CONNECTOR SPECIFICATION
<b>AB</b>	AS50151, Solder Contacts, and F80 Crimp, SCP and SCPB Series
<b>AF</b>	AS50151, Crimp Front or Rear Release Contacts SC30 thru SC39 and SC50 thru SC59 MIL-DTL-26482, Series 2, SCPT70 thru SCPT79
<b>AK</b>	MIL-DTL-22992, Class C & R, SWLD Series, SCP17343 thru SCP17347
<b>AM</b>	SWL Series
<b>BA</b>	MIL-DTL-26482 Series I, Solder or Crimp Front Release, SCPT and SCPC Series
<b>BB</b>	MIL-DTL-26482 Series I, Class E, F & P SCPT07* and SCPT07S*
<b>BF</b>	MIL-DTL-38999 Series I & II, SC1001, SC1466, SC1467, SC1468, SC1469, SC1470, SC1471, SC1496, SC1498, SC1505, SC1656, SC1662, SC2001, SC2472, SC2473, SC2474, SC2475, SC2476, SC2477, SC2478, SC2484, SC2497, SC2499, SC2508, SC2513
<b>BG</b>	MIL-DTL-38999, Series III, SC3920 thru SC3926

# SHELL SIZE CODES

**TABLE II. SHELL SIZE CODES**

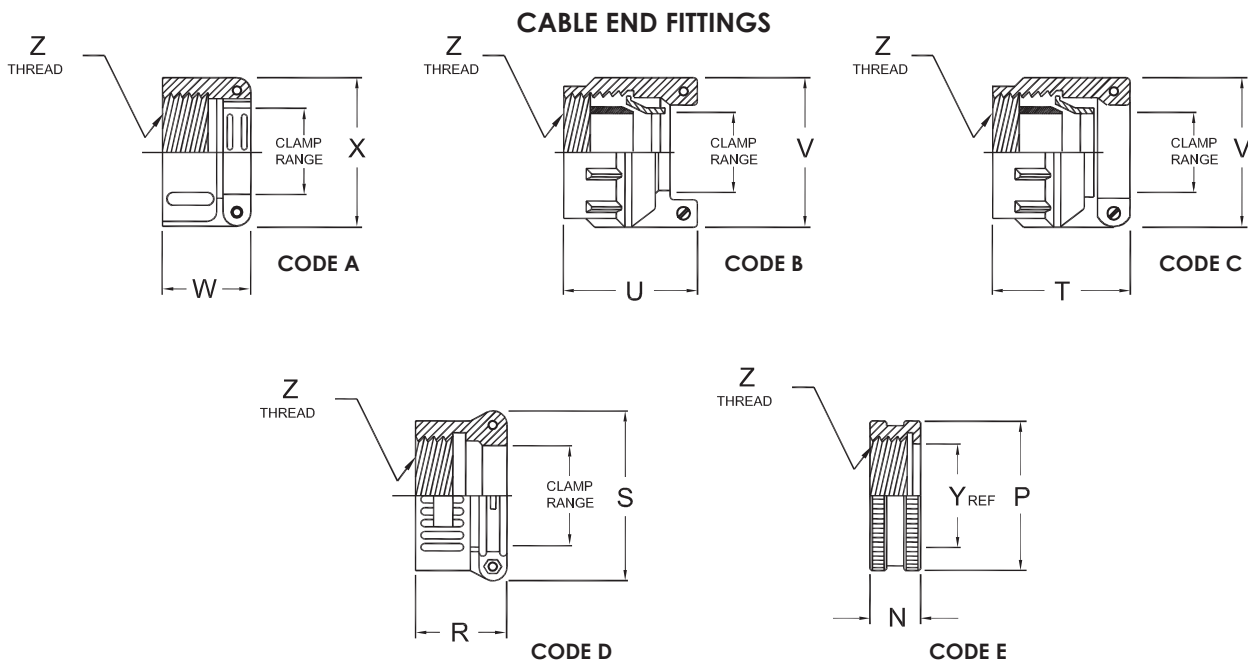
SHELL SIZE CODE	MATING CONNECTOR CODES									
	AB	AF	AK	AM	BA	BB	BF			BG
			SWLD	SWL			SERIES			
							I	II	III	
08	8S	8 & 8S			8	8	9	8		
09									9	
10	10S	10, 10S & 10SL		10	10	10	11	10		
11				12					11	
12	10SL, 12 & 12S	12 & 12S	12	14	12	12	13	12		
13									13	
14	14 & 14S	14 & 14S	14	16	14	14	15	14		
15									15	
16	16 & 16S	16 & 16S	16	18	16	16	17	16		
17									17	
18	18	18	18	20	18	18	19	18		
19									19	
20	20	20	20	22	20	20	21	20		
21									21	
22	22	22	22	24	22	22	23	22		
23									23	
24	24	24	24	28	24	24	25	24		
25									25	
28	28	28	28	32						
32	32	32	32	36						
36	36	36	36	40						
40	40	40	40	44						
44		44	44							
48		48	48							



# CABLE ENTRY & FINISH CODES

**TABLE III. CABLE ENTRY CODE/CABLE END FITTING DIMENSIONS**

CABLE ENTRY CODE	Z FITTING THREAD	Y REF.	END FITTING A				END FITTING B & C				END FITTING D				END FITTING E		
			X ±.031	W ±.031	CLAMP RANGE		V MAX.	U MAX.	T MAX.	CLAMP RANGE		S ±.020	R ±	CLAMP RANGE		P ±.016	N ±.016
					OPEN	CLOSED				OPEN	CLOSED			OPEN	CLOSED		
03	.500-28UNEF	.250	.812	.812	.250	.156	.812	1.031	1.031	.219	.094	-	-	-	-	.625	.438
04	.625-24UNEF	.312	.875	.812	.312	.188	.938	1.031	1.375	.312	.094	.938	1.281	.312	.125	.750	.438
06	.750-20UNEF	.438	1.062	.875	.438	.281	1.062	1.031	1.375	.438	.250	1.125	1.281	.438	.250	.875	.438
08	.875-20UNEF	.562	1.156	.938	.562	.344	1.188	1.031	1.375	.531	.312	1.312	1.281	.562	.312	1.031	.438
10	1.000-20UNEF	.625	1.250	.938	.625	.375	1.312	1.094	1.438	.625	.375	1.312	1.281	.625	.350	1.156	.438
12	1.188-18UNEF	.750	1.469	.938	.750	.438	1.562	1.219	1.438	.750	.500	1.531	1.312	.750	.500	1.344	.438
16	1.438-18UNEF	.938	1.688	1.031	.938	.562	1.750	1.219	1.562	.938	.594	1.750	1.406	.938	.625	1.564	.438
20	1.750-18UNS	1.250	2.031	1.094	1.250	.750	2.250	1.344	1.812	1.250	.938	2.094	1.594	1.250	.875	1.906	.500
24	2.000-18UNS	1.375	2.281	1.156	1.375	.781	2.375	1.547	2.062	1.375	.969	2.344	1.625	1.375	1.000	2.156	.562
28	2.250-16UN	1.625	2.688	1.688	1.625	.969	2.625	1.547	2.062	1.625	1.188	2.750	1.900	1.625	1.250	2.406	.562
32	2.500-16UN	1.875	2.938	1.750	1.875	1.125	2.812	1.734	2.188	1.875	1.375	3.000	1.900	1.875	1.438	2.656	.625
40	3.000-16UN	2.375	3.500	1.750	2.375	1.469	3.312	1.781	-	2.375	1.875	-	-	-	-	3.156	.688



**TABLE IV. FINISH CODES** CONSULT FACTORY FOR OTHER AVAILABLE FINISHES

FINISH CODE	DESCRIPTION
A	Cadmium, Olive Drab, per QQ-P-416, Type II, Over Electroless Nickel, per MIL-C-26074 (1000 HOUR Salt Spray Finish)
B	Cadmium, Black, Per QQ-P-416, Type II, Class 3
C	Cadmium, Olive Drab, per Qq-P-416, Type II, Class 3
D	Cadmium - Yellow per Qq-P-416, Type II Class 3, 48 Hours
E	Cadmium - Yellow Over Nickel, 48 Hours
F	Anodize, Sulphuric, Black, per MIL-A-8625, Type II, Class 2
G	Chromium Plate, per QQ-C-320, Class 2 A, Type II
H	Anodize, Hard, Black, per MIL-A-8625, Type III, Class 2
I	Chemical Film, per MIL-C-5541
J	Cadmium, Clear, per QQ-P-416, Type II Class 3
K	Nickel, Electro Deposited, per Qq-N-290, Class 2

FINISH CODE	DESCRIPTION
L	Zinc Cobalt, Color O.D. .000050
M	Zinc Cobalt, Color Black, .000050
N	Electroless Nickel per MIL-C-26074, Class 4, Grade B
R	Anodize, Hard, Gray, per MIL-A-8625, Type III, Class 1
S	Anodize, Sulphuric, Gray per MIL-A-8625, Type II, Class 1
T	Anodize, Hard Color Blue
U	Anodize, Hard Color Red
V	Anodize, Hard Color Yellow
X	Cadmium, Bright per QQ-P-416, Type II, Over Electroless Nickel, per MIL-C-26074
Z	Anodize, Hard, Green, per MIL-A-8625, Type III, Class 1, Dichromate Seal

# STRAIGHT SHIELD TERMINATION BACKSHELL

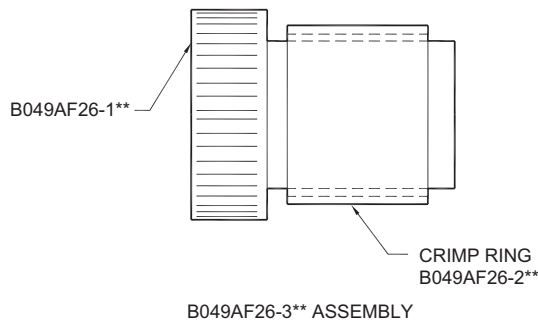
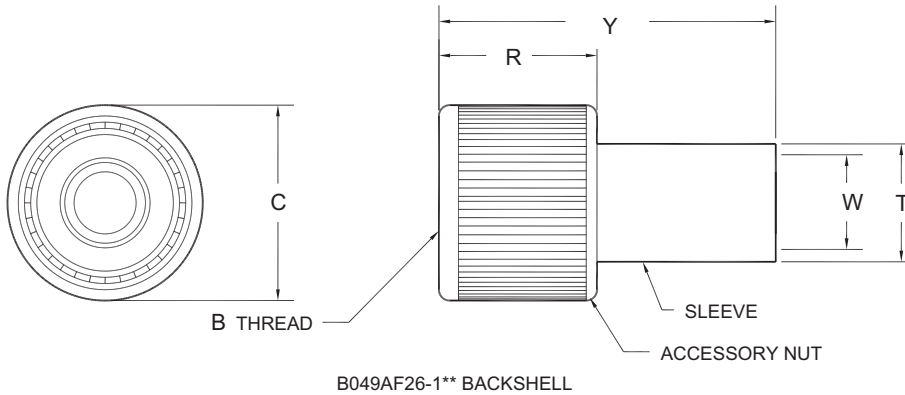
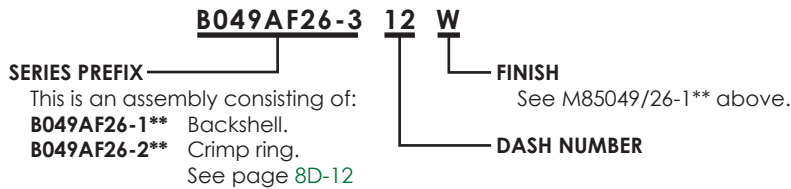
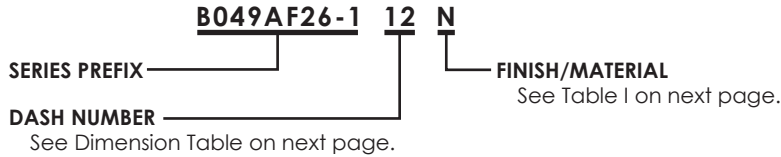
B049AF26-1

# STRAIGHT SHIELD TERMINATION BACKSHELL ASSEMBLY

B049AF26-3

For AS50151 Series II & III & MIL-DTL-26482 Series 2

## ORDERING INFORMATION



# STRAIGHT SHIELD TERMINATION BACKSHELL

B049AF26-1

# STRAIGHT SHIELD TERMINATION BACKSHELL ASSEMBLY

B049AF26-3

DASH NO.	FOR CONNECTOR SHELL SIZE (REF)		B THREAD CLASS 2B	ØC +.000 -.045 [+0.00] [-1.14]	R +.000 -.062 [+0.00] [-1.57]	ØT ±.010 [±0.25]	ØW ±.015 [±0.38]	Y MAX	B049AF26-2 RING, SHIELD CRIMP (REF)
	MIL-DTL-26482 SERIES 2	AS50151 SERIES II & III							
	MIL-DTL-83723 SERIES III								
8	8	8S	.500-20 UNF	.617 [15.67]	.540 [13.72]	.337 [8.56]	.250 [6.35]	1.277 [32.44]	-8
10	10	10S, 10SL	.625-24 UNEF	.734 [18.64]	.540 [13.72]	.488 [12.40]	.325 [8.25]	1.277 [32.44]	-10
12	12	12S, 12	.750-20 UNEF	.858 [21.79]	.540 [13.72]	.500 [12.70]	.420 [10.67]	1.277 [32.44]	-12
14	14	14S, 14	.875-20 UNEF	.984 [24.99]	.540 [13.72]	.620 [15.75]	.540 [13.72]	1.277 [32.44]	-14
16	16	16S, 16	1.000-20 UNEF	1.112 [28.24]	.540 [13.72]	.750 [19.05]	.670 [17.02]	1.277 [32.44]	-16
18	18	18	1.062-18 UNEF	1.218 [30.94]	.540 [13.72]	.880 [22.35]	.789 [20.04]	1.277 [32.44]	-18
20	20	20	1.188-18 UNEF	1.345 [34.16]	.540 [13.72]	1.000 [25.40]	.914 [23.22]	1.277 [32.44]	-20
22	22	22	1.312-18 UNEF	1.468 [37.29]	.540 [13.72]	1.120 [28.45]	1.039 [26.39]	1.277 [32.44]	-22
24	24	24	1.438-18 UNEF	1.593 [40.46]	.540 [13.72]	1.192 [30.28]	1.112 [28.24]	1.277 [32.44]	-24
28	-	28	1.750-18 UNS	1.969 [50.01]	.702 [17.83]	1.545 [39.24]	1.389 [35.28]	1.439 [36.55]	-28
32	-	32	2.000-18 UNS	2.219 [56.36]	.702 [17.83]	1.795 [45.59]	1.635 [41.53]	1.439 [36.55]	-32
36	-	36	2.250-16 UN	2.469 [62.71]	.702 [17.83]	2.045 [51.94]	1.850 [46.99]	1.439 [36.55]	-36
40	-	40	2.500-16 UN	2.719 [69.06]	.702 [17.83]	2.295 [58.29]	2.065 [52.45]	1.439 [36.55]	-40
44	-	44	2.750-16 UN	2.969 [75.41]	.702 [17.83]	2.545 [64.64]	2.320 [58.93]	1.439 [36.55]	-44
48	-	48	3.000-16 UN	3.219 [81.76]	.702 [17.83]	2.795 [70.99]	2.570 [65.28]	1.439 [36.55]	-48

8D

TABLE I - AVAILABLE FINISHES

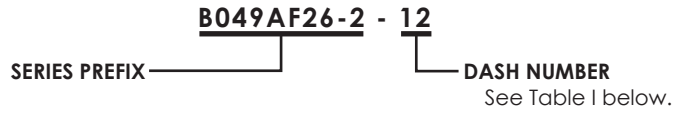
CODE	DESCRIPTION	MATERIAL	TEMP. RANGE	EXCLUSIONS
N	Electroless nickel - In accordance with AMS-C-26074 or AMS 2404.	Aluminum Alloy	-65 to +200 °C	Not for Navy use.
W	Cadmium - Olive drab over suitable underplate, 1000 hour salt spray.		-65 to +175 °C	Not for use in space application.
X	Nickel fluorocarbon polymer. Nickel with fluorocarbon polymer additives over a suitable underplate to withstand 1000 hours of salt spray testing. Color shall be non-reflective. Final finish shall be electrically conductive.		-65 to +175 °C	
Z	Zinc nickel in accordance with ASTM B841 over suitable underplate to withstand 1000 hours of salt spray testing. Color shall be black, conductive, and non-reflective. Final finish shall be electrically conductive.		-65 to +175 °C	

# SHIELDING RING

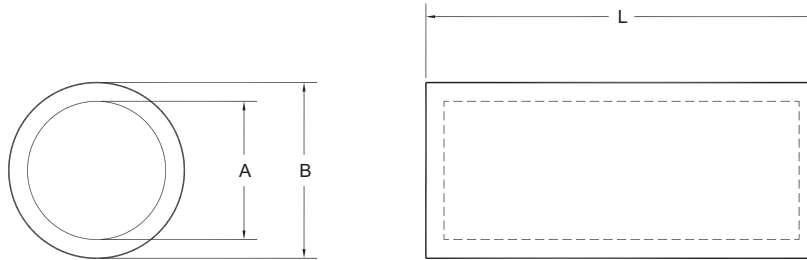
B049AF26-2

Used with B049AF26-1, B049BF33, B049BG20 Backshells

## ORDERING INFORMATION



**MATERIAL:** Copper  
**FINISH:** Tin plate



**TABLE I**

DASH NUMBER	COLOR CODE	ØA		ØB		L ±.020 [±0.51]	INSTALLING DIE
		MIN.	MAX.	MIN.	MAX.		
8	GREEN	.400 [10.16]	.410 [10.41]	.448 [11.38]	.458 [11.63]	.440 [11.18]	GS405
10	RED	.585 [14.86]	.595 [15.11]	.660 [16.76]	.680 [17.27]		GS590
12							
14	BLUE	.705 [17.91]	.715 [18.16]	.780 [19.81]	.800 [20.32]		GS710
16	GRAY	.835 [21.21]	.845 [21.46]	.910 [23.11]	.930 [23.62]		GS840
18	BROWN	1.005 [25.53]	1.015 [25.78]	1.080 [27.43]	1.100 [27.94]		GS1010
20	GREEN	1.125 [28.57]	1.135 [28.83]	1.200 [30.48]	1.220 [30.99]		GS1130
22	PINK	1.245 [31.62]	1.255 [31.88]	1.320 [33.53]	1.340 [34.04]		GS1250
24	ORANGE	1.327 [33.70]	1.337 [33.96]	1.402 [35.61]	1.422 [36.12]		GS1332
28	RED	1.665 [42.29]	1.675 [42.54]	1.740 [44.20]	1.760 [44.70]		GS1670
32	GRAY	1.915 [48.64]	1.925 [48.89]	1.990 [50.55]	2.010 [51.05]		GS1920
36	GREEN	2.165 [54.99]	2.175 [55.24]	2.240 [56.90]	2.260 [57.40]		GS2170
40	ORANGE	2.415 [61.34]	2.425 [61.59]	2.490 [63.25]	2.510 [63.75]		GS2420
44	YELLOW	2.665 [67.69]	2.675 [67.94]	2.740 [69.60]	2.760 [70.10]		GS2670
48	BLUE	2.915 [74.04]	2.925 [74.29]	2.990 [75.95]	3.010 [76.45]		GS2920
61	PURPLE	1.435 [36.45]	1.445 [36.70]	1.510 [38.35]	1.530 [38.86]	GS1440	

Dimensions in brackets [ ] are in millimeters.  
Tooling: Thomas and Betts installing Head No. 13640 with installing dies shown in the table.





# STRAIGHT SELF-LOCKING SHIELD BAND TERMINATION BACKSHELL

B049AF82

For **SC30, SC50 & SC70** Series  
(AS50151 Series II & III & MIL-DTL-26482 Series 2, MIL-DTL-83723 Series III)  
For Bands, Use M85049/128

## ORDERING INFORMATION

**B049AF82 - 16 P 02**

**SERIES PREFIX** ——— **ENTRY SIZE**

**SHELL SIZE** ——— **FINISH/MATERIAL**

See Table I below. See Table II below.

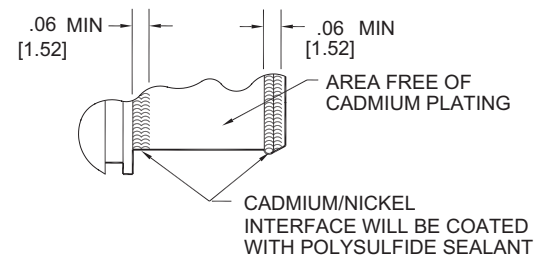
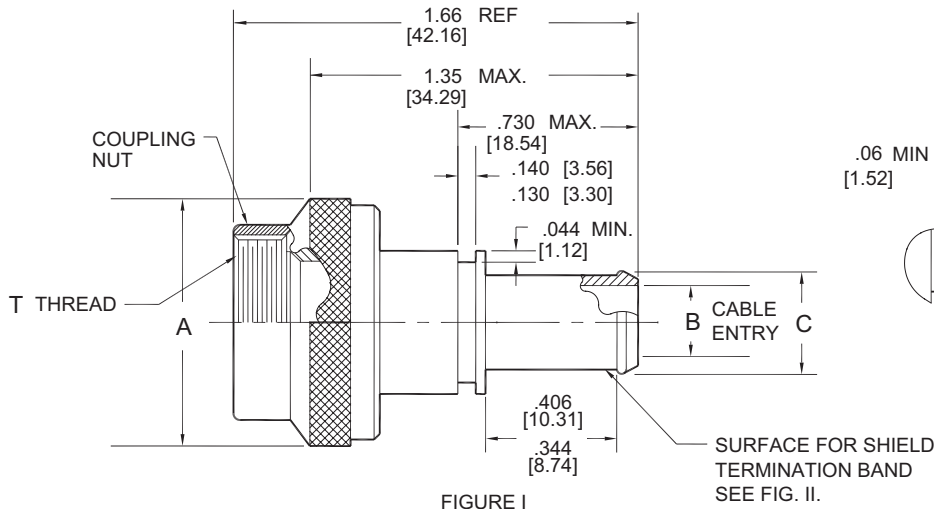


FIGURE I

FIGURE II

ACCESSORY SHELL SIZE	FOR CONNECTOR SHELL SIZE (REF)		ØA MAX	ØB ENTRY SIZE ±.010 [±.25]		ØC REF.		T THREAD CLASS 2B
	MIL-DTL-26482 SERIES 2	AS50151 SERIES II & III		02	03	02	03	
	MIL-DTL-83723 SERIES III							
08	8	8S	.885 [22.48]	N/A	.250 [6.35]	N/A	.395 [10.03]	.500-20 UNF
10	10	10S, 10SL	1.010 [25.65]	N/A	.312 [7.92]	N/A	.457 [11.61]	.625-24 UNEF
12	12	12S, 12	1.135 [28.83]	.312 [7.92]	.438 [11.13]	.457 [11.61]	.583 [14.81]	.750-20 UNEF
14	14	14S, 14	1.260 [32.00]	.438 [11.13]	.562 [14.27]	.583 [14.81]	.707 [17.96]	.875-20 UNEF
16	16	16S, 16	1.385 [35.18]	.500 [12.70]	.625 [15.88]	.645 [16.38]	.770 [19.56]	1.000-20 UNEF
18	18	18	1.510 [38.35]	.625 [15.88]	.750 [19.05]	.770 [19.56]	.895 [22.73]	1.062-18 INEF
20	20	20	1.635 [41.53]	.625 [15.88]	.812 [20.62]	.770 [19.56]	.957 [24.31]	1.187-18 UNEF
22	22	22	1.760 [44.70]	.688 [17.48]	.938 [23.83]	.829 [21.06]	1.083 [27.51]	1.312-18 UNEF
24	24	24	1.885 [47.88]	.750 [19.05]	1.000 [25.40]	.895 [22.73]	1.145 [29.08]	1.437-18 UNEF
28	-	28	2.135 [54.23]	.875 [22.23]	1.125 [28.58]	1.020 [25.91]	1.270 [32.26]	1.750-18 UNS

Dimensions in brackets [ ] are in millimeters.

TABLE II - AVAILABLE FINISHES

CODE	DESCRIPTION	MATERIAL	TEMP. RANGE	EXCLUSIONS
N	Electroless nickel - In accordance with AMS-C-26074 or AMS 2404.	Aluminum Alloy	-65 to +200 °C	Not for Navy use.
W	Cadmium - Olive drab over suitable underplate, 1000 hour salt spray.		-65 to +175 °C	Not for use in space application.
X	Nickel fluorocarbon polymer. Nickel with fluorocarbon polymer additives over a suitable underplate to withstand 1000 hours of salt spray testing. Color shall be non-reflective. Final finish shall be electrically conductive.		-65 to +175 °C	
Z	Zinc nickel in accordance with ASTM B841 over suitable underplate to withstand 1000 hours of salt spray testing. Color shall be black, conductive, and non-reflective. Final finish shall be electrically conductive.		-65 to +175 °C	

# 45° SELF-LOCKING SHIELD BAND TERMINATION BACKSHELL

B049AF83

For **SC30, SC50 & SC70** Series  
(AS50151 Series II & III & MIL-DTL-26482 Series 2, MIL-DTL-83723 Series III)  
For Bands, Use M85049/128

## ORDERING INFORMATION

**B049AF83 - 16 P 02**

**SERIES PREFIX** ——— **ENTRY SIZE**

**SHELL SIZE** ——— **FINISH/MATERIAL**

See Dimension Table on next page. See Table I below.

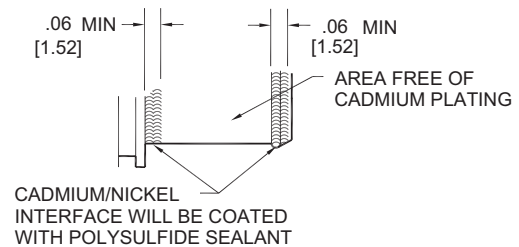
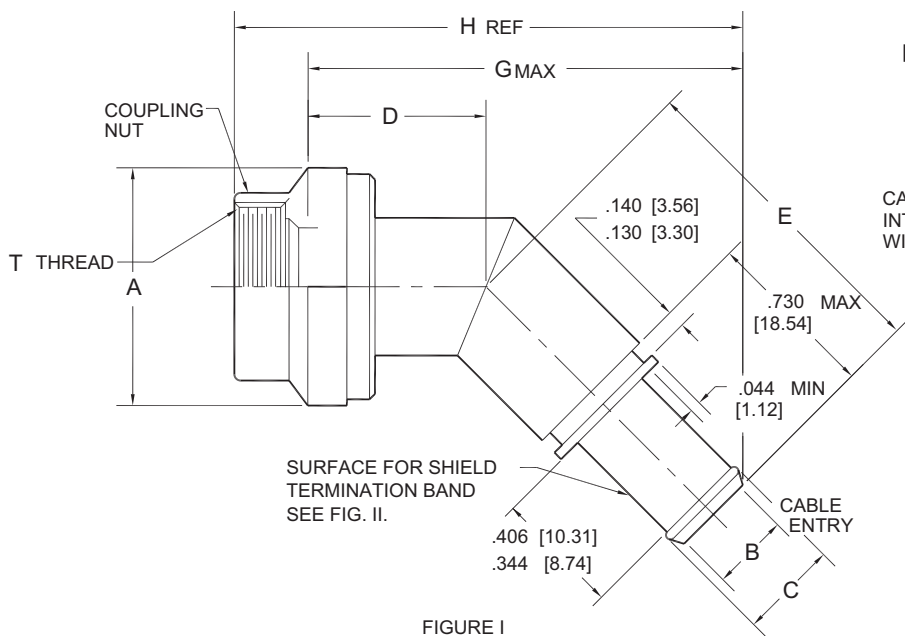


FIGURE II

TABLE I - AVAILABLE FINISHES

CODE	DESCRIPTION	MATERIAL	TEMP. RANGE	EXCLUSIONS
N	Electroless nickel - In accordance with AMS-C-26074 or AMS 2404.	Aluminum Alloy	-65 to +200 °C	Not for Navy use.
W	Cadmium - Olive drab over suitable underplate, 1000 hour salt spray.		-65 to +175 °C	Not for use in space application.
X	Nickel fluorocarbon polymer. Nickel with fluorocarbon polymer additives over a suitable underplate to withstand 1000 hours of salt spray testing. Color shall be non-reflective. Final finish shall be electrically conductive.		-65 to +175 °C	
Z	Zinc nickel in accordance with ASTM B841 over suitable underplate to withstand 1000 hours of salt spray testing. Color shall be black, conductive, and non-reflective. Final finish shall be electrically conductive.		-65 to +175 °C	



# 45° SELF-LOCKING SHIELD BAND TERMINATION BACKSHELL

B049AF83

ACCESSORY SHELL SIZE	FOR CONNECTOR SHELL SIZE (REF)		ØA MAX	ØB ±.010 [±.25] ENTRY SIZE		ØC REF.		D MAX	E MAX
	MIL-DTL-26482 SERIES 2	AS50151 SERIES II & III		02	03	02	03		
	MIL-DTL-83723 SERIES III								
08	8	8S	.885 [22.48]	N/A	.250 [6.35]	N/A	.395 [10.03]	.87 [22.10]	1.16 [29.46]
10	10	10S, 10SL	1.010 [25.65]	N/A	.312 [7.92]	N/A	.457 [11.61]	.89 [22.61]	1.18 [29.97]
12	12	12S, 12	1.135 [28.83]	.312 [7.92]	.438 [11.13]	.457 [11.61]	.583 [14.81]	.92 [23.37]	1.20 [30.48]
14	14	14S, 14	1.260 [32.00]	.438 [11.13]	.562 [14.27]	.583 [14.81]	.707 [17.96]	.94 [23.88]	1.22 [30.99]
16	16	16S, 16	1.385 [35.18]	.500 [12.70]	.625 [15.88]	.645 [16.38]	.770 [19.56]	.96 [24.38]	1.25 [31.75]
18	18	18	1.510 [38.35]	.625 [15.88]	.750 [19.05]	.770 [19.56]	.895 [22.73]	.98 [24.89]	1.26 [32.00]
20	20	20	1.635 [41.53]	.625 [15.88]	.812 [20.62]	.770 [19.56]	.957 [24.31]	1.00 [25.40]	1.29 [32.77]
22	22	22	1.760 [44.70]	.688 [17.48]	.938 [23.83]	.829 [21.06]	1.083 [27.51]	1.03 [26.16]	1.31 [33.27]
24	24	24	1.885 [47.88]	.750 [19.05]	1.000 [25.40]	.895 [22.73]	1.145 [29.08]	1.05 [26.67]	1.34 [34.04]
28	-	28	2.135 [54.23]	.875 [22.23]	1.125 [28.58]	1.020 [25.91]	1.270 [32.26]	1.10 [27.94]	1.38 [35.05]

Dimensions in brackets [ ] are in millimeters.

ACCESSORY SHELL SIZE	FOR CONNECTOR SHELL SIZE (REF)		G MAX WITH C		H REF WITH C		T THREAD CLASS 2B
	MIL-DTL-26482 SERIES 2	AS50151 SERIES II & III	02	03	02	03	
	MIL-DTL-83723 SERIES III						
08	8	8S	N/A	1.830 [46.48]	N/A	2.135 [54.23]	.500-20 UNF
10	10	10S, 10SL	N/A	1.886 [47.90]	N/A	2.191 [55.65]	.625-24 UNEF
12	12	12S, 12	1.930 [49.02]	1.975 [50.17]	2.235 [56.77]	2.280 [57.91]	.750-20 UNEF
14	14	14S, 14	2.009 [51.03]	2.053 [52.15]	2.314 [58.78]	2.358 [59.89]	.875-20 UNEF
16	16	16S, 16	2.072 [52.63]	2.116 [53.75]	2.377 [60.38]	2.421 [61.49]	1.000-20 UNEF
18	18	18	2.143 [54.43]	2.187 [55.55]	2.448 [62.18]	2.492 [63.30]	1.062-18 INEF
20	20	20	2.184 [55.47]	2.251 [57.18]	2.489 [63.22]	2.556 [64.92]	1.187-18 UNEF
22	22	22	2.249 [57.12]	2.339 [59.41]	2.554 [64.87]	2.644 [67.16]	1.312-18 UNEF
24	24	24	2.314 [58.78]	2.402 [61.01]	2.619 [66.52]	2.707 [68.76]	1.437-18 UNEF
28	-	28	2.594 [65.89]	2.683 [68.15]	3.061 [77.75]	3.150 [80.01]	1.750-18 UNS

Dimensions in brackets [ ] are in millimeters.

# 90° SELF-LOCKING SHIELD BAND TERMINATION BACKSHELL

B049AF84

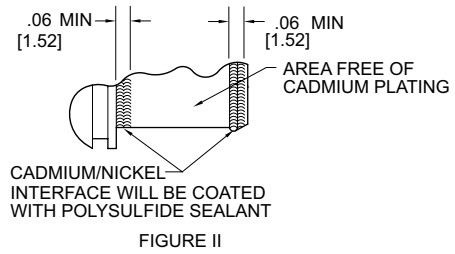
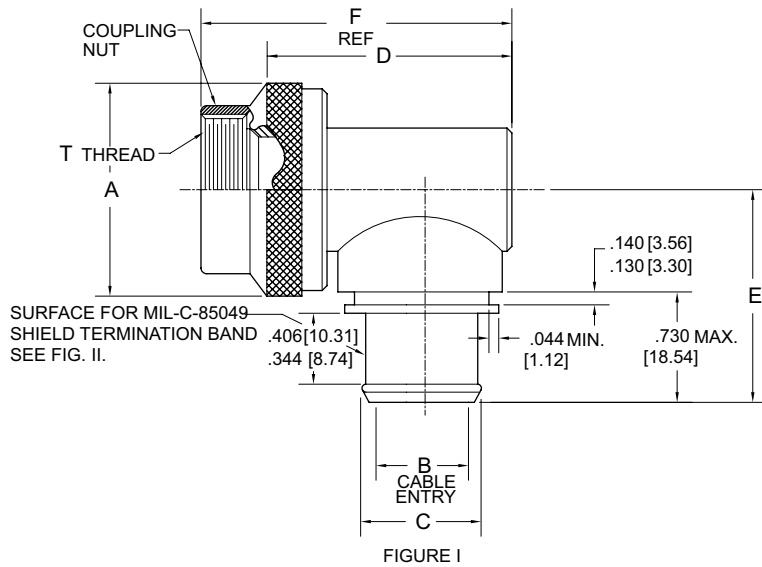
For **SC30, SC50 & SC70** Series  
(AS50151 Series II & III & MIL-DTL-26482 Series 2, MIL-DTL-83723 Series III)  
For Bands, Use M85049/128

## ORDERING INFORMATION

**B049AF84 - 16 P 02**

SERIES PREFIX ————  
SHELL SIZE ————  
See Table I on next page.

ENTRY SIZE ————  
FINISH/MATERIAL ————  
See Table II on next page.



# 90° SELF-LOCKING SHIELD BAND TERMINATION BACKSHELL

B049AF84

**TABLE I**

ACCESSORY SHELL SIZE	FOR CONNECTOR SHELL SIZE (REF)		ØA MAX	ØB ±.010 [±0.25] ENTRY SIZE		ØC REF.		D MAX	E MAX	F REF	T THREAD CLASS 2B
	MIL-DTL-26482 SERIES 2	AS50151 SERIES II & III		02	03	02	03				
	MIL-DTL-83723 SERIES III										
08	8	8S	.885 [22.48]	N/A	.250 [6.35]	N/A	.395 [10.03]	1.188 [30.18]	1.417 [35.99]	1.497 [38.02]	.500-20 UNF
10	10	10S, 10SL	1.010 [25.65]	N/A	.312 [7.92]	N/A	.457 [11.61]	1.281 [32.54]	1.480 [37.59]	1.590 [40.39]	.625-24 UNEF
12	12	12S, 12	1.135 [28.83]	.312 [7.92]	.438 [11.13]	.457 [11.61]	.583 [14.81]	1.406 [35.71]	1.542 [39.17]	1.715 [43.56]	.750-20 UNEF
14	14	14S, 14	1.260 [32.00]	.438 [11.13]	.562 [14.27]	.583 [14.81]	.707 [17.96]	1.531 [38.89]	1.605 [40.77]	1.840 [46.74]	.875-20 UNVEF
16	16	16S, 16	1.385 [35.18]	.500 [12.70]	.625 [15.88]	.645 [16.38]	.770 [19.56]	1.656 [42.06]	1.667 [42.34]	1.965 [49.91]	1.000-20 UNEF
18	18	18	1.510 [38.35]	.625 [15.88]	.750 [19.05]	.770 [19.56]	.895 [22.73]	1.718 [43.64]	1.730 [43.94]	2.027 [51.49]	1.062-18 INEF
20	20	20	1.635 [41.53]	.625 [15.88]	.812 [20.62]	.770 [19.56]	.957 [24.31]	1.844 [46.84]	1.792 [45.52]	2.153 [54.69]	1.187-18 UNEF
22	22	22	1.750 [44.45]	.684 [17.37]	.938 [23.83]	.829 [21.06]	1.083 [27.51]	1.938 [49.23]	1.850 [46.99]	2.247 [57.07]	1.312-18 UNEF
24	24	24	1.885 [47.88]	.750 [19.05]	1.000 [25.40]	.895 [22.73]	1.145 [29.08]	2.093 [53.16]	1.917 [48.69]	2.402 [61.01]	1.437-18 UNEF
28	-	28	2.135 [54.23]	.875 [22.23]	1.125 [28.58]	1.020 [25.91]	1.270 [32.26]	2.531 [64.29]	2.042 [51.87]	3.002 [76.25]	1.750-18 UNS

Dimensions in brackets [ ] are in millimeters.

**TABLE II - AVAILABLE FINISHES**

CODE	DESCRIPTION	MATERIAL	TEMP. RANGE	EXCLUSIONS
N	Electroless nickel - In accordance with AMS-C-26074 or AMS 2404.	Aluminum Alloy	-65 to +200 °C	Not for Navy use.
W	Cadmium - Olive drab over suitable underplate, 1000 hour salt spray.		-65 to +175 °C	Not for use in space application.
X	Nickel fluorocarbon polymer. Nickel with fluorocarbon polymer additives over a suitable underplate to withstand 1000 hours of salt spray testing. Color shall be non-reflective. Final finish shall be electrically conductive.		-65 to +175 °C	
Z	Zinc nickel in accordance with ASTM B841 over suitable underplate to withstand 1000 hours of salt spray testing. Color shall be black, conductive, and non-reflective. Final finish shall be electrically conductive.		-65 to +175 °C	

8D

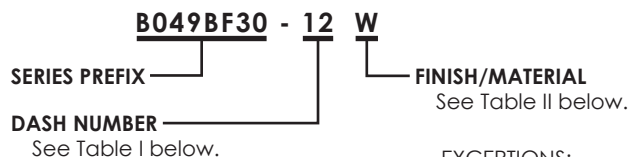


# STRAIGHT SHIELD TERMINATION BACKSHELL

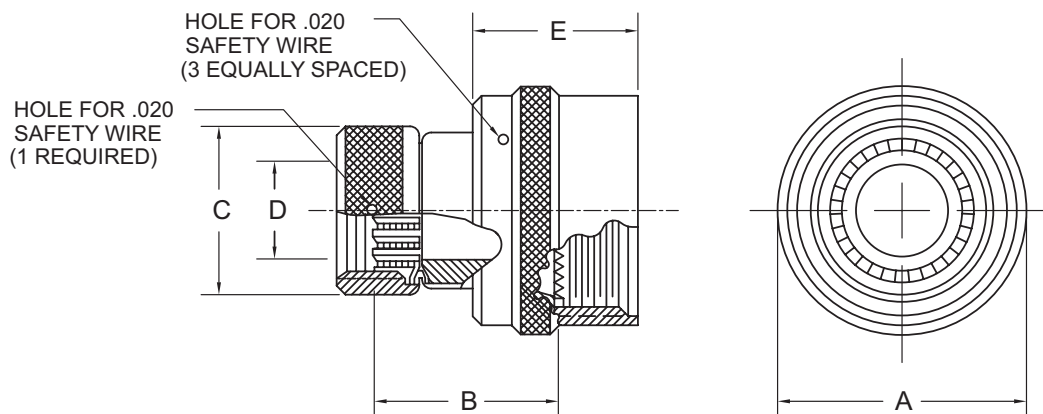
## B049BF30

For **SC1\*** & **SC2\*** Series (MIL-DTL-38999 Series I & II)

### ORDERING INFORMATION



EXCEPTIONS:  
Ground nut assembly: Aluminum Alloy, gold iridite.  
Ground spring: Gold plate



**TABLE I**

DASH NO.	MIL-DTL-38999 SHELL SIZE		ØA MAX	B MAX	ØC MAX.	ØD CABLE ENTRY MIN.	E MAX
	SERIES I	SERIES II					
8	9	8	.75 [19.05]	1.000 [25.40]	.55 [13.97]	.250 [6.35]	.54 [13.72]
10	11	10	.85 [21.59]	1.000 [25.40]	.67 [17.02]	.375 [9.52]	.54 [13.72]
12	13	12	1.00 [25.40]	1.000 [25.40]	.80 [20.32]	.500 [12.70]	.54 [13.72]
14	15	14	1.10 [27.94]	1.000 [25.40]	.92 [23.37]	.625 [15.87]	.54 [13.72]
16	17	16	1.25 [31.75]	1.000 [25.40]	1.05 [26.67]	.750 [19.05]	.54 [13.72]
18	19	18	1.40 [35.56]	1.000 [25.40]	1.17 [29.72]	.844 [21.44]	.54 [13.72]
20	21	20	1.50 [38.10]	1.000 [25.40]	1.30 [33.02]	.970 [24.64]	.54 [13.72]
22	23	22	1.65 [41.91]	1.000 [25.40]	1.42 [36.07]	1.094 [27.79]	.54 [13.72]
24	25	24	1.75 [44.45]	1.000 [25.40]	1.67 [42.42]	1.219 [30.96]	.54 [13.72]

Dimensions in brackets [ ] are in millimeters.

**TABLE II - AVAILABLE FINISHES**

CODE	DESCRIPTION	MATERIAL	TEMP. RANGE	EXCLUSIONS
N	Electroless nickel - In accordance with AMS-C-26074 or AMS 2404.	Aluminum Alloy	-65 to +200 °C	Not for Navy use.
W	Cadmium - Olive drab over suitable underplate, 1000 hour salt spray.		-65 to +175 °C	Not for use in space application.
X	Nickel fluorocarbon polymer. Nickel with fluorocarbon polymer additives over a suitable underplate to withstand 1000 hours of salt spray testing. Color shall be non-reflective. Final finish shall be electrically conductive.		-65 to +175 °C	
Z	Zinc nickel in accordance with ASTM B841 over suitable underplate to withstand 1000 hours of salt spray testing. Color shall be black, conductive, and non-reflective. Final finish shall be electrically conductive.		-65 to +175 °C	

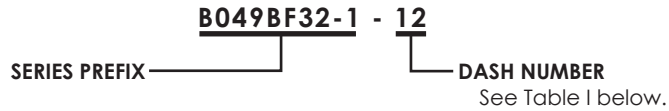


# 90° SHIELD TERMINATION ADAPTER

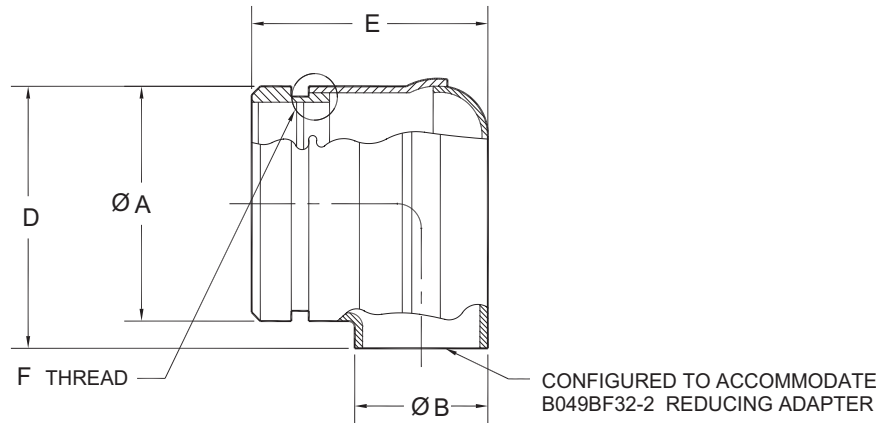
B049BF32-1

For **SC1\*** & **SC2\*** Series (MIL-DTL-38999 Series I & II)

## ORDERING INFORMATION



**MATERIAL:** Copper alloy  
**FINISH:** Tin, lead plate



**TABLE I**

DASH NUMBER	MIL-DTL-38999 SHELL SIZE		ØA MAX.	ØB MAX.	D MAX.	E MAX.	F THREAD CLASS 2B UNEF
	SERIES I	SERIES II					
8	9	8	.594 [15.09]	.359 [9.12]	.656 [16.66]	.719 [18.26]	.4375-28
10	11	10	.719 [18.26]	.406 [10.31]	.781 [19.84]	.766 [19.46]	.5625-24
12	13	12	.844 [21.44]	.500 [12.70]	.938 [23.83]	.859 [21.82]	.6875-24
14	15	14	.969 [24.61]	.578 [14.68]	1.062 [26.97]	.938 [23.83]	.8125-20
16	17	16	1.094 [27.79]	.641 [16.28]	1.219 [30.96]	1.000 [25.40]	.9375-20
18	19	18	1.219 [30.96]	.688 [17.48]	1.344 [34.14]	1.047 [26.59]	1.0625-18
20	21	20	1.344 [34.14]	.734 [18.64]	1.469 [37.31]	1.094 [27.79]	1.1875-18
22	23	22	1.469 [37.31]	.796 [20.22]	1.594 [40.49]	1.156 [29.36]	1.3125-18
24	25	24	1.594 [40.49]	.859 [21.82]	1.719 [43.66]	1.219 [30.96]	1.4375-18

Dimensions in brackets [ ] are in millimeters.

8D

# SHIELD TERMINATION REDUCING ADAPTER

B049BF32-2

For Use with B049BF32-1 & B049BF33-1

## ORDERING INFORMATION

**B049BF32-2 - 141**

SERIES PREFIX

DASH NUMBER

See Table I below.

**MATERIAL:** Copper alloy

**FINISH:** Tin, lead plate

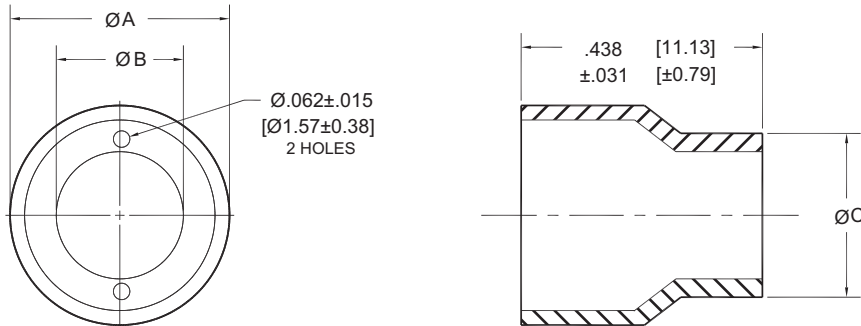


TABLE I

FITS ADAPTER SHELL SIZE	DASH NUMBER	ØA + .001 -.005 [+0.03] [-0.13]	ØB + .010 -.001 [+0.25] [-0.03]	ØC MAX.
8	81	.291 [7.39]	.164 [4.17]	.219 [5.56]
	82	.291 [7.39]	.172 [4.37]	.234 [5.94]
	83	.291 [7.39]	.188 [4.78]	.250 [6.35]
10	101	.346 [8.79]	.217 [5.51]	.266 [6.76]
12	121	.441 [11.20]	.198 [5.03]	.250 [6.35]
	122	.441 [11.20]	.217 [5.51]	.266 [6.76]
	123	.441 [11.20]	.280 [7.11]	.328 [8.33]
14	141	.506 [12.85]	.217 [5.51]	.266 [6.76]
	142	.506 [12.85]	.290 [7.37]	.344 [8.74]
	143	.506 [12.85]	.312 [7.92]	.359 [9.12]
	144	.506 [12.85]	.343 [8.71]	.391 [9.93]
	145	.506 [12.85]	.360 [9.14]	.406 [10.31]
	146	.506 [12.85]	.387 [9.83]	.438 [11.13]
16	161	.571 [14.50]	.217 [5.51]	.266 [6.76]
	162	.571 [14.50]	.290 [7.37]	.344 [8.74]
	163	.571 [14.50]	.343 [8.71]	.391 [9.93]
	164	.571 [14.50]	.406 [10.31]	.453 [11.51]
	165	.571 [14.50]	.328 [8.33]	.375 [9.52]

Dimensions in brackets [ ] are in millimeters.

FITS ADAPTER SHELL SIZE	DASH NUMBER	ØA + .001 -.005 [+0.03] [-0.13]	ØB + .010 -.001 [+0.25] [-0.03]	ØC MAX.
18	181	.616 [15.65]	.271 [6.88]	.266 [6.76]
	182	.616 [15.65]	.290 [7.37]	.344 [8.74]
	183	.616 [15.65]	.343 [8.71]	.391 [9.93]
	184	.616 [15.65]	.381 [9.68]	.430 [10.92]
	185	.616 [15.65]	.451 [11.46]	.500 [12.70]
	186	-	-	-
20	201	.664 [16.87]	.328 [8.33]	.375 [9.52]
	202	.664 [16.87]	.391 [9.93]	.453 [11.51]
	203	.664 [16.87]	.445 [11.30]	.500 [12.70]
	204	.664 [16.87]	.406 [10.31]	.469 [11.91]
	205	.664 [16.87]	.484 [12.29]	.531 [13.49]
	206	.664 [16.87]	.500 [12.70]	.547 [13.89]
22	221	.738 [18.75]	.395 [10.03]	.406 [10.31]
	222	.738 [18.75]	.438 [11.13]	.484 [12.29]
	223	.738 [18.75]	.453 [11.51]	.500 [12.70]
	224	.738 [18.75]	.469 [11.91]	.516 [13.11]
	225	.738 [18.75]	.562 [14.27]	.609 [15.47]
24	241	.796 [20.22]	.594 [15.09]	.641 [16.28]

Dimensions in brackets [ ] are in millimeters.





# STRAIGHT SHIELD TERMINATION ADAPTER

B049BF33-1

For **SC1\*** & **SC2\*** Series (MIL-DTL-38999 Series I & II)

## ORDERING INFORMATION

**B049BF33-1 - 12**

SERIES PREFIX

DASH NUMBER

See Table I below.

**MATERIAL:** Copper alloy

**FINISH:** Tin, lead plate

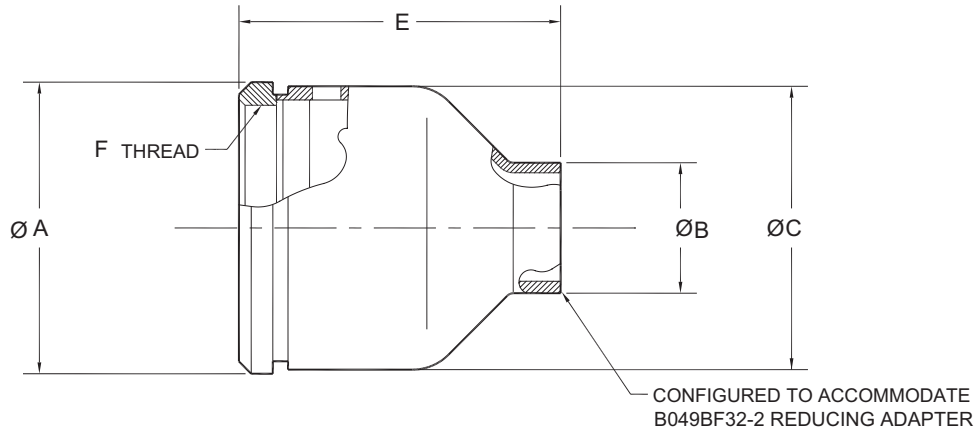


TABLE I

DASH NUMBER	MIL-DTL-38999 SHELL SIZE		ØA MAX.	ØB MAX.	ØC MAX.	E MAX.	F THREAD CLASS 2B UNEF
	SERIES I	SERIES II					
8	9	8	.594 [15.09]	.359 [9.12]	.516 [13.11]	.844 [21.44]	.4375-28
10	11	10	.719 [18.26]	.406 [10.31]	.641 [16.28]	.969 [24.61]	.5625-24
12	13	12	.844 [21.44]	.500 [12.70]	.766 [19.46]	1.094 [27.79]	.6875-24
14	15	14	.969 [24.61]	.578 [14.68]	.891 [22.63]	1.156 [29.36]	.8125-20
16	17	16	1.094 [27.79]	.641 [16.28]	1.016 [25.81]	1.291 [32.79]	.9375-20
18	19	18	1.219 [30.96]	.688 [17.48]	1.141 [28.98]	1.344 [34.14]	1.0625-18
20	21	20	1.344 [34.14]	.734 [18.64]	1.265 [32.13]	1.469 [37.31]	1.1875-18
22	23	22	1.469 [37.31]	.796 [20.22]	1.391 [35.33]	1.594 [40.49]	1.3125-18
24	25	24	1.594 [40.49]	.859 [21.82]	1.516 [38.51]	1.719 [43.66]	1.4375-18

Dimensions in brackets [ ] are in millimeters.

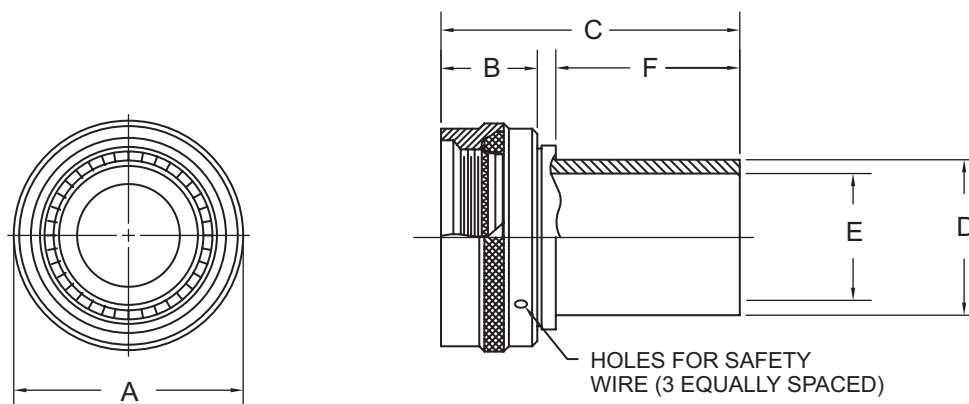
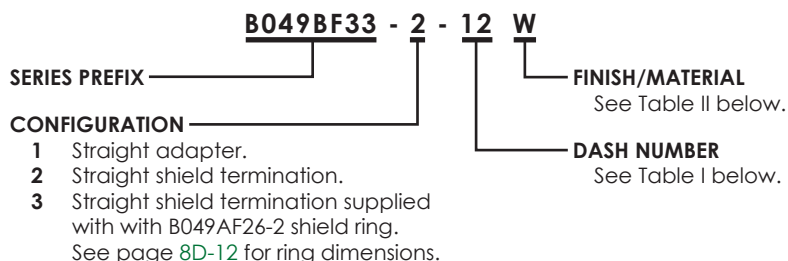


# STRAIGHT SHIELD TERMINATION BACKSHELL

B049BF33-2

For **SC1\*** & **SC2\*** Series (MIL-DTL-38999 Series I & II)

## ORDERING INFORMATION



**TABLE I**

DASH NUMBER	MIL-DTL-38999 SHELL SIZE		ØA MAX.	B MAX.	C MAX.	ØD MAX.	E ±.015 [±0.38]	F MIN.	USE B049AF26-2 CRIMP RING
	SERIES I	SERIES II							
8	9	8	.75 [19.05]	.54 [13.72]	1.137 [28.88]	.347 [8.81]	.250 [6.35]	.265 [6.73]	8
10	11	10	.85 [21.59]	.54 [13.72]	1.137 [28.88]	.498 [12.65]	.325 [8.25]	.343 [8.71]	10
12	13	12	1.00 [25.40]	.54 [13.72]	1.137 [28.88]	.510 [12.95]	.420 [10.67]	.437 [11.10]	12
14	15	14	1.10 [27.94]	.54 [13.72]	1.137 [28.88]	.630 [16.00]	.540 [13.72]	.562 [14.27]	14
16	17	16	1.25 [31.75]	.54 [13.72]	1.137 [28.88]	.760 [19.30]	.670 [17.02]	.687 [17.45]	16
18	19	18	1.40 [35.56]	.54 [13.72]	1.137 [28.88]	.890 [22.61]	.789 [20.04]	.812 [20.62]	18
20	21	20	1.50 [38.10]	.54 [13.72]	1.137 [28.88]	1.010 [25.65]	.914 [23.22]	.937 [23.80]	20
22	23	22	1.65 [41.91]	.54 [13.72]	1.137 [28.88]	1.130 [28.70]	1.039 [26.39]	1.046 [26.57]	22
24	25	24	1.75 [44.45]	.54 [13.72]	1.137 [28.88]	1.202 [30.53]	1.112 [28.24]	1.125 [28.57]	24

Dimensions in brackets [ ] are in millimeters.

**TABLE II - AVAILABLE FINISHES**

CODE	DESCRIPTION	MATERIAL	TEMP. RANGE	EXCLUSIONS
<b>N</b>	Electroless nickel - In accordance with AMS-C-26074 or AMS 2404.	Aluminum Alloy	-65 to +200 °C	Not for Navy use.
<b>W</b>	Cadmium - Olive drab over suitable underplate, 1000 hour salt spray.		-65 to +175 °C	Not for use in space application.
<b>X</b>	Nickel fluorocarbon polymer. Nickel with fluorocarbon polymer additives over a suitable underplate to withstand 1000 hours of salt spray testing. Color shall be non-reflective. Final finish shall be electrically conductive.		-65 to +175 °C	
<b>Z</b>	Zinc nickel in accordance with ASTM B841 over suitable underplate to withstand 1000 hours of salt spray testing. Color shall be black, conductive, and non-reflective. Final finish shall be electrically conductive.		-65 to +175 °C	



# STRAIGHT SELF-LOCKING SHIELD BAND TERMINATION BACKSHELL

B049BF85

For **SC1\*** & **SC2\*** Series (MIL-DTL-38999 Series I & II)  
For Bands, Use M85049/128

## ORDERING INFORMATION

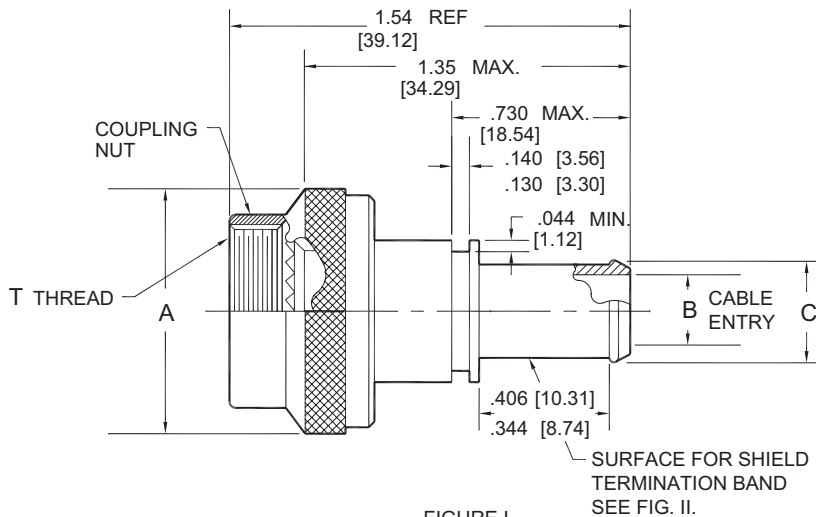
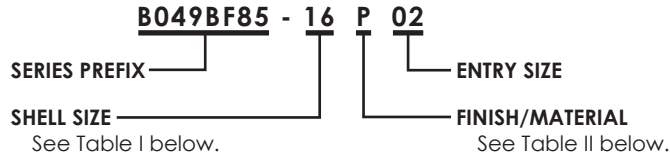


FIGURE I

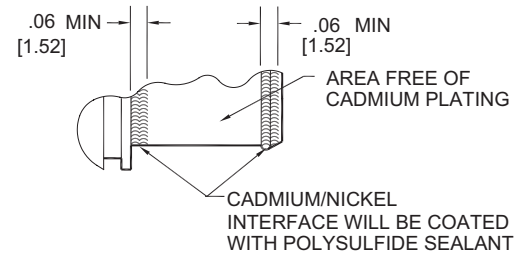


FIGURE II

TABLE I

ACCESSORY SHELL SIZE	MIL-DTL-38999 SHELL SIZE		ØA MAX	±0.0B [±0.25] ENTRY SIZE		ØC REF.		T THREAD CLASS 2B
	SERIES I	SERIES II		01	02	01	02	
10	11	10	.986 [25.04]	N/A	.312 [7.92]	N/A	.457 [11.61]	.562-24 UNEF
12	13	12	1.156 [29.36]	.312 [7.92]	.438 [11.13]	.457 [11.61]	.583 [14.81]	.688-24 UNEF
14	15	14	1.281 [32.54]	.438 [11.13]	.562 [14.27]	.583 [14.81]	.707 [17.96]	.812-20 UNEF
16	17	16	1.406 [35.71]	.500 [12.70]	.625 [15.88]	.645 [16.38]	.770 [19.56]	.938-20 UNEF
18	19	18	1.516 [38.51]	.625 [15.88]	.750 [19.05]	.770 [19.56]	.895 [22.73]	1.062-18 UNEF
20	21	20	1.641 [41.68]	.625 [15.88]	.812 [20.62]	.770 [19.56]	.957 [24.31]	1.188-18 UNEF
22	23	22	1.766 [44.86]	.688 [17.48]	.938 [23.83]	.829 [21.06]	1.083 [27.51]	1.312-18 UNEF
24	25	24	1.891 [48.03]	.750 [19.05]	1.000 [25.40]	.895 [22.73]	1.145 [29.08]	1.438-18 UNEF

Dimensions in brackets [ ] are in millimeters.

TABLE II - AVAILABLE FINISHES

CODE	DESCRIPTION	MATERIAL	TEMP. RANGE	EXCLUSIONS
N	Electroless nickel - In accordance with AMS-C-26074 or AMS 2404.	Aluminum Alloy	-65 to +200 °C	Not for Navy use.
W	Cadmium - Olive drab over suitable underplate, 1000 hour salt spray.		-65 to +175 °C	Not for use in space application.
X	Nickel fluorocarbon polymer. Nickel with fluorocarbon polymer additives over a suitable underplate to withstand 1000 hours of salt spray testing. Color shall be non-reflective. Final finish shall be electrically conductive.		-65 to +175 °C	
Z	Zinc nickel in accordance with ASTM B841 over suitable underplate to withstand 1000 hours of salt spray testing. Color shall be black, conductive, and non-reflective. Final finish shall be electrically conductive.		-65 to +175 °C	

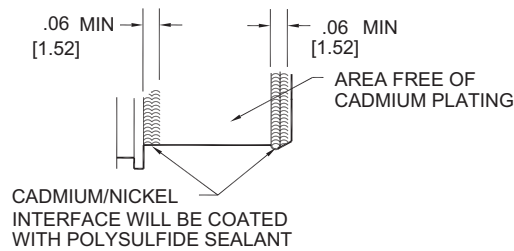
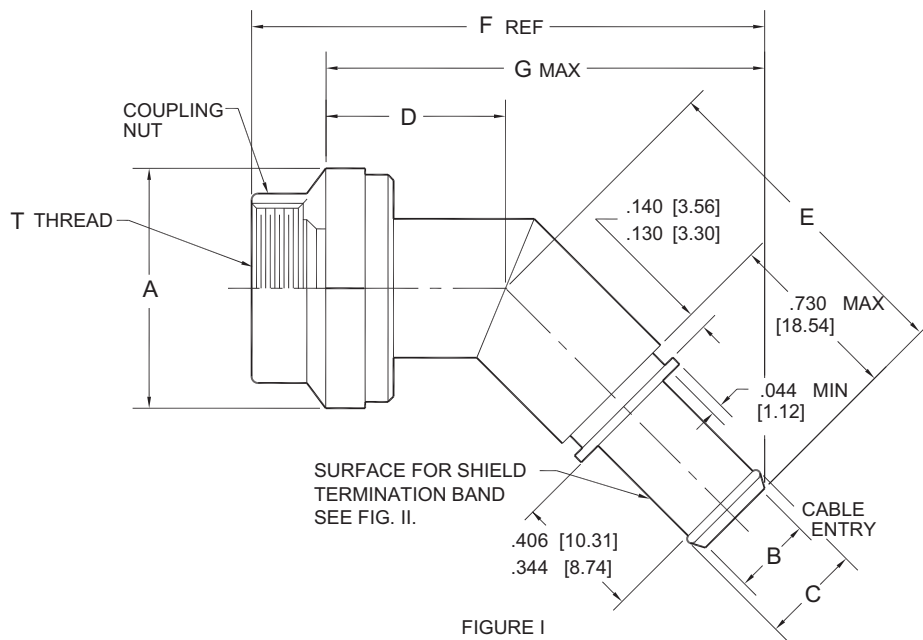
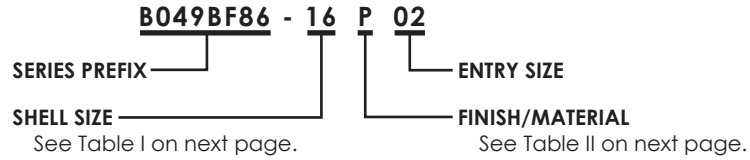
8D

# 45° SELF-LOCKING SHIELD BAND TERMINATION BACKSHELL

B049BF86

For **SC1\*** & **SC2\*** Series (MIL-DTL-38999 Series I & II)  
For Bands, Use M85049/128

## ORDERING INFORMATION



# 45° SELF-LOCKING SHIELD BAND TERMINATION BACKSHELL

B049BF86

TABLE I

ACCESSORY SHELL SIZE	CONNECTOR SHELL SIZE		ØA MAX	ØB ±.010 [±.25] ENTRY SIZE		ØC REF		D MAX	E MAX
	SERIES I	SERIES II		02	03	02	03		
10	11	10	.984 [24.99]	N/A	.312 [7.92]	N/A	.457 [11.61]	.90 [22.86]	1.19 [30.23]
12	13	12	1.156 [29.36]	.312 [7.92]	.438 [11.13]	.457 [11.61]	.583 [14.81]	.92 [23.37]	1.21 [30.73]
14	15	14	1.281 [32.54]	.438 [11.13]	.562 [14.27]	.583 [14.81]	.707 [17.96]	.95 [24.13]	1.24 [31.50]
16	17	16	1.406 [35.71]	.500 [12.70]	.625 [15.88]	.645 [16.38]	.770 [19.56]	.98 [24.89]	1.26 [32.00]
18	19	18	1.516 [38.51]	.625 [15.88]	.750 [19.05]	.770 [19.56]	.895 [22.73]	.98 [24.89]	1.27 [32.26]
20	21	20	1.641 [41.68]	.625 [15.88]	.812 [20.62]	.770 [19.56]	.957 [24.31]	1.01 [25.65]	1.30 [33.02]
22	23	22	1.766 [44.86]	.688 [17.48]	.938 [23.83]	.829 [21.06]	1.083 [27.51]	1.04 [26.42]	1.33 [33.78]
24	25	24	1.891 [48.03]	.750 [19.05]	1.000 [25.40]	.895 [22.73]	1.145 [29.08]	1.07 [27.18]	1.35 [34.29]

Dimensions in brackets [ ] are in millimeters.

TABLE I - CONTINUED

ACCESSORY SHELL SIZE	CONNECTOR SHELL SIZE		F REF.		G MAX		T THREAD CLASS 2B
	SERIES I	SERIES II	02	03	02	03	
10	11	10	1.929 [49.00]	2.091 [53.11]	1.741 [44.22]	1.903 [48.34]	.562-24 UNEF
12	13	12	2.125 [53.98]	2.170 [55.12]	1.937 [49.20]	1.982 [50.34]	.688-24 UNEF
14	15	14	2.221 [56.41]	2.265 [57.53]	2.033 [51.64]	2.077 [52.76]	.812-20 UNEF
16	17	16	2.287 [58.09]	2.331 [59.21]	2.099 [53.31]	2.143 [54.43]	.938-20 UNEF
18	19	18	2.338 [59.39]	2.382 [60.50]	2.150 [54.61]	2.194 [55.73]	1.062-18 UNEF
20	21	20	2.389 [60.68]	2.456 [62.38]	2.201 [55.91]	2.268 [57.61]	1.188-18 UNEF
22	23	22	2.462 [62.53]	2.551 [64.80]	2.274 [57.76]	2.363 [60.02]	1.312-18 UNEF
24	25	24	2.529 [64.24]	2.617 [66.47]	2.341 [59.46]	2.429 [61.70]	1.438-18 UNEF

Dimensions in brackets [ ] are in millimeters.

8D

TABLE II - AVAILABLE FINISHES

CODE	DESCRIPTION	MATERIAL	TEMP. RANGE	EXCLUSIONS
N	Electroless nickel - In accordance with AMS-C-26074 or AMS 2404.	Aluminum Alloy	-65 to +200 °C	Not for Navy use.
W	Cadmium - Olive drab over suitable underplate, 1000 hour salt spray.		-65 to +175 °C	Not for use in space application.
X	Nickel fluorocarbon polymer. Nickel with fluorocarbon polymer additives over a suitable underplate to withstand 1000 hours of salt spray testing. Color shall be non-reflective. Final finish shall be electrically conductive.		-65 to +175 °C	
Z	Zinc nickel in accordance with ASTM B841 over suitable underplate to withstand 1000 hours of salt spray testing. Color shall be black, conductive, and non-reflective. Final finish shall be electrically conductive.		-65 to +175 °C	

# 90° SELF-LOCKING SHIELD BAND TERMINATION BACKSHELL

B049BF87

For **SC1\*** & **SC2\*** Series (MIL-DTL-38999 Series I & II)  
For Bands, Use M85049/128

## ORDERING INFORMATION

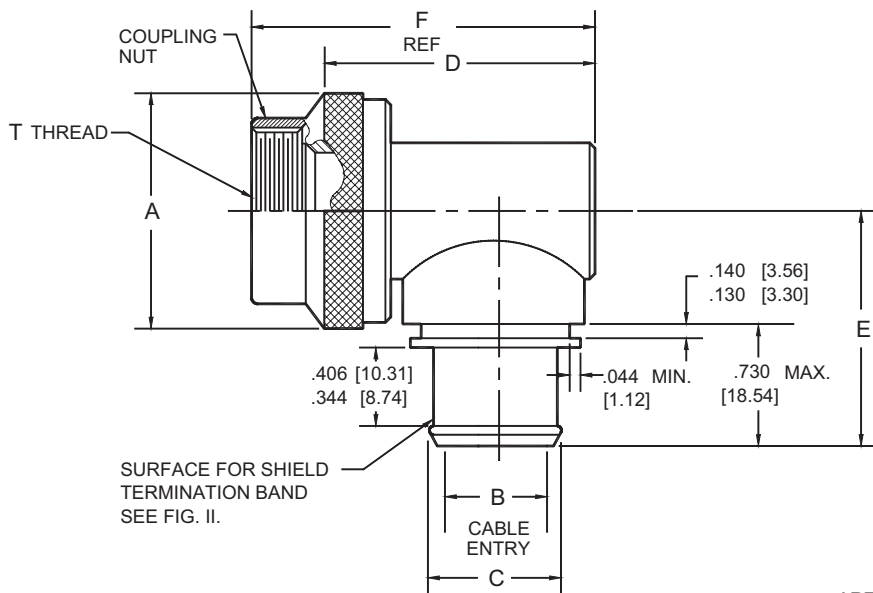
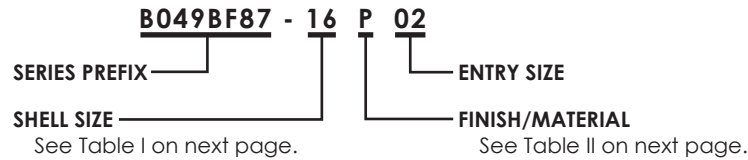


FIGURE I

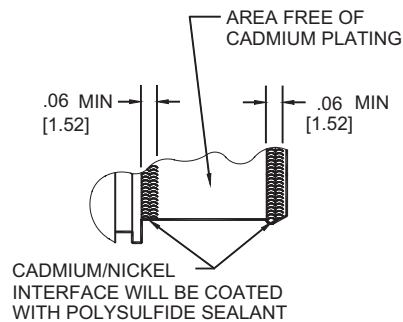


FIGURE II

# 90° SELF-LOCKING SHIELD BAND TERMINATION BACKSHELL

B049BF87

**TABLE I**

ACCESSORY SHELL SIZE	CONNECTOR SHELL SIZE		ØA MAX	ØB ±.010 [±0.25] ENTRY SIZE		ØC REF.		D MAX	E MAX	F REF	T THREAD CLASS 2B
	SERIES I	SERIES II		Ø2	Ø3	Ø2	Ø3				
10	11	10	.984 [24.99]	N/A	.312 [7.92]	N/A	.457 [11.61]	1.437 [36.50]	1.480 [37.59]	1.625 [41.28]	.562-24 UNEF
12	13	12	1.157 [29.39]	.312 [7.92]	.438 [11.13]	.457 [11.61]	.583 [14.81]	1.562 [39.67]	1.553 [39.45]	1.750 [44.45]	.688-24 UNEF
14	15	14	1.279 [32.49]	.438 [11.13]	.562 [14.27]	.583 [14.81]	.707 [17.96]	1.687 [42.85]	1.614 [41.00]	1.875 [47.63]	.812-20 UNEF
16	17	16	1.406 [35.71]	.500 [12.70]	.625 [15.88]	.645 [16.38]	.770 [19.56]	1.750 [44.45]	1.678 [42.62]	1.938 [49.23]	.938-20 UNEF
18	19	18	1.516 [38.51]	.625 [15.88]	.750 [19.05]	.770 [19.56]	.895 [22.73]	1.875 [47.63]	1.733 [44.02]	2.063 [52.63]	1.062-18 UNEF
20	21	20	1.642 [41.71]	.625 [15.88]	.812 [20.62]	.770 [19.56]	.957 [24.31]	1.938 [49.23]	1.796 [45.62]	2.126 [54.00]	1.188-18 UNEF
22	23	22	1.768 [44.91]	.684 [17.37]	.938 [23.83]	.829 [21.06]	1.083 [27.51]	2.062 [52.37]	1.859 [47.22]	2.250 [57.15]	1.312-18 UNEF
24	25	24	1.889 [47.98]	.750 [19.05]	1.000 [25.40]	.895 [22.73]	1.145 [29.08]	2.125 [53.98]	1.919 [48.74]	2.313 [58.75]	1.438-18 UNEF

Dimensions in brackets [ ] are in millimeters.

**TABLE II - AVAILABLE FINISHES**

CODE	DESCRIPTION	MATERIAL	TEMP. RANGE	EXCLUSIONS
N	Electroless nickel - In accordance with AMS-C-26074 or AMS 2404.	Aluminum Alloy	-65 to +200 °C	Not for Navy use.
W	Cadmium - Olive drab over suitable underplate, 1000 hour salt spray.		-65 to +175 °C	Not for use in space application.
X	Nickel fluorocarbon polymer. Nickel with fluorocarbon polymer additives over a suitable underplate to withstand 1000 hours of salt spray testing. Color shall be non-reflective. Final finish shall be electrically conductive.		-65 to +175 °C	
Z	Zinc nickel in accordance with ASTM B841 over suitable underplate to withstand 1000 hours of salt spray testing. Color shall be black, conductive, and non-reflective. Final finish shall be electrically conductive.		-65 to +175 °C	

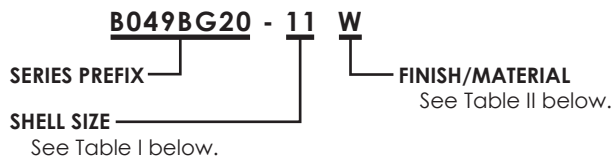
8D

# STRAIGHT SHIELD TERMINATION BACKSHELL

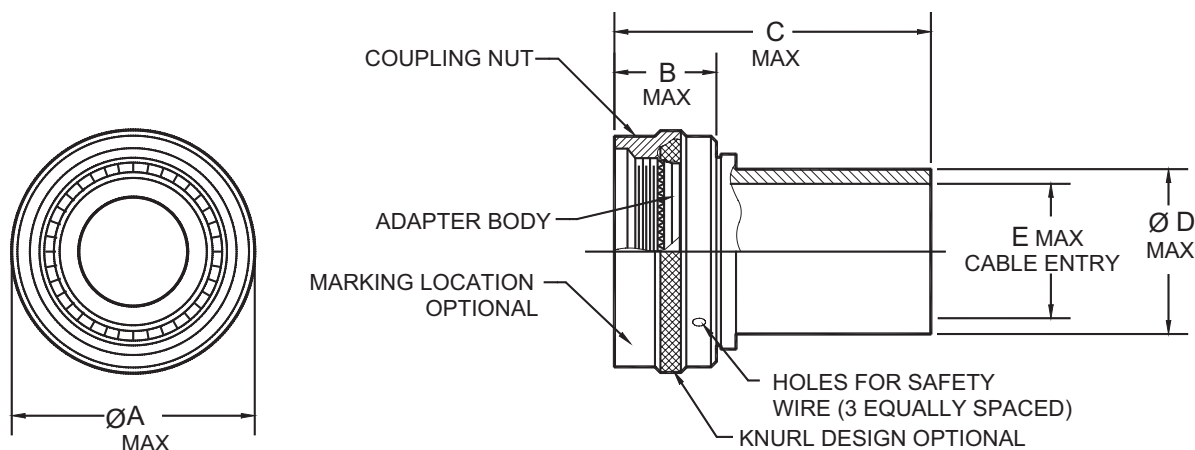
## B049BG20

For **SC3\*** Series (MIL-DTL-38999 Series III)

### ORDERING INFORMATION



For Crimp Ring, use B049AF26-2



**TABLE I**

SHELL SIZE	ØA MAX.	B MAX	C MAX	ØD MAX	E MAX. CABLE ENTRY	B049AF*-2 RING, SHIELD CRIMP (REF)
9	.75 [19.05]	.540 [13.72]	1.300 [33.02]	.347 [8.81]	.265 [6.73]	-8
11	.85 [21.59]	.540 [13.72]	1.300 [33.02]	.498 [12.65]	.343 [8.71]	-10
13	1.00 [25.40]	.540 [13.72]	1.300 [33.02]	.510 [12.95]	.437 [11.10]	-12
15	1.10 [27.94]	.540 [13.72]	1.300 [33.02]	.630 [16.00]	.562 [14.27]	-14
17	1.25 [31.75]	.540 [13.72]	1.300 [33.02]	.760 [19.30]	.687 [17.45]	-16
19	1.40 [35.56]	.540 [13.72]	1.300 [33.02]	.890 [22.61]	.812 [20.62]	-18
21	1.50 [38.10]	.540 [13.72]	1.300 [33.02]	1.010 [25.65]	.937 [23.80]	-20
23	1.65 [41.91]	.540 [13.72]	1.300 [33.02]	1.130 [28.70]	1.046 [26.57]	-22
25	1.75 [44.45]	.540 [13.72]	1.300 [33.02]	1.202 [30.53]	1.125 [28.57]	-24

Dimensions in brackets [ ] are in millimeters.

**TABLE II - AVAILABLE FINISHES**

CODE	FINISH	MATERIAL
G	Electroless Nickel (See Note 1) (Space Grade)	Aluminum Alloy
N	Electroless Nickel (See Note 1)	
P	Cadmium Olive Drab over Electroless Nickel (Selective Plating, see Figure II)	
W	Cadmium Olive Drab (See Note 2)	
X	Nickel Fluorocarbon Polymer	
Z	Zinc Nickel	
YP	Pure Dense Electrodeposited Aluminum	Composite
ZP	Zinc Nickel (Selective Plating, see Figure II)	
J	Cadmium Olive Drab	
L	Cadmium Olive Drab over Electroless Nickel (Selective Plating, see Figure II)	
M	Electroless Nickel	
XC	Nickel Fluorocarbon Polymer	
YL	Pure Dense Electrodeposited Aluminum (Selective Plating, see Figure II)	
ZC	Zinc Nickel	
ZL	Zinc Nickel (Selective Plating, see Figure II)	

1. Not for Navy use, restricted for Air Force space applications only.  
2. P, W, Z and ZP finish not for use in space applications. Also see specification notes.





# STRAIGHT SELF-LOCKING SHIELD BAND TERMINATION BACKSHELL

## B049BG88

For **SC3\*** Series (MIL-DTL-38999 Series III)  
For Bands, Use M85049/128

### ORDERING INFORMATION

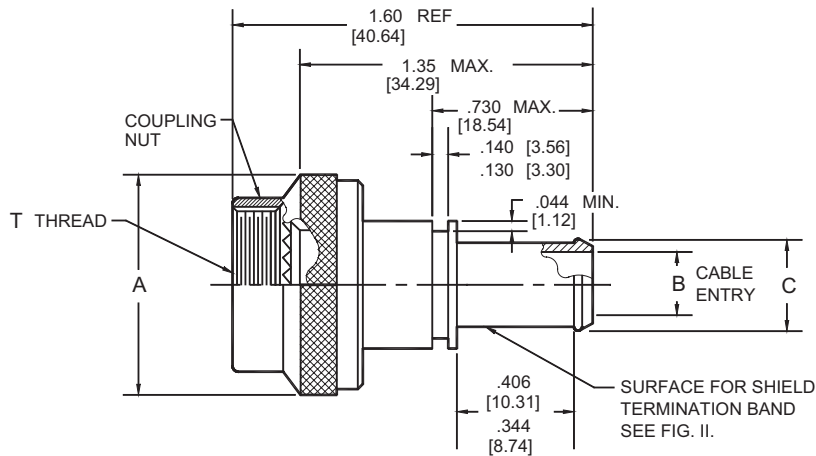
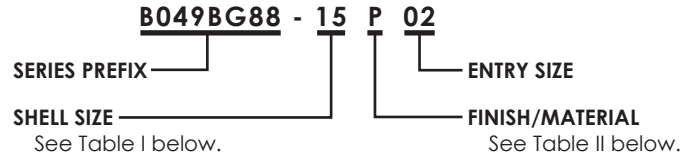


FIGURE I

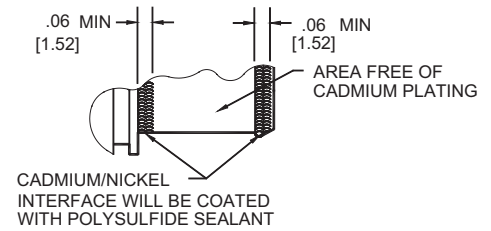


FIGURE II

TABLE I

ACCESS. SHELL SIZE	SHELL SIZE CODE (REF)	ØA MAX	ØB ±.010 [±0.25] ENTRY SIZE		ØC REF.		T THREAD ISO METRIC
			02	03	02	03	
			9	A	.858 [21.79]	N/A	
11	B	.984 [24.99]	N/A	.312 [7.92]	N/A	.457 [11.61]	M15 X 1-6H
13	C	1.157 [29.39]	.312 [7.92]	.438 [11.13]	.457 [11.61]	.583 [14.81]	M18 X 1-6H
15	D	1.279 [32.49]	.438 [11.13]	.562 [14.27]	.583 [14.81]	.707 [17.96]	M22 X 1-6H
17	E	1.406 [35.71]	.500 [12.70]	.625 [15.88]	.645 [16.38]	.770 [19.56]	M25 X 1-6H
19	F	1.516 [38.51]	.625 [15.88]	.750 [19.05]	.770 [19.56]	.895 [22.73]	M28 X 1-6H
21	G	1.642 [41.71]	.625 [15.88]	.812 [20.62]	.770 [19.56]	.957 [24.31]	M31 X 1-6H
23	H	1.768 [44.91]	.688 [17.48]	.938 [23.83]	.829 [21.06]	1.083 [27.51]	M34 X 1-6H
25	J	1.889 [47.98]	.750 [19.05]	1.000 [25.40]	.895 [22.73]	1.145 [29.08]	M37 X 1-6H

Dimensions in brackets [ ] are in millimeters.

TABLE II - AVAILABLE FINISHES

CODE	FINISH	MATERIAL
G	Electroless Nickel (See Note 1) (Space Grade)	Aluminum Alloy
N	Electroless Nickel (See Note 1)	
P	Cadmium Olive Drab over Electroless Nickel (Selective Plating, see Figure II)	
W	Cadmium Olive Drab (See Note 2)	
X	Nickel Fluorocarbon Polymer	
Z	Zinc Nickel	
YP	Pure Dense Electrodeposited Aluminum	
ZP	Zinc Nickel (Selective Plating, see Figure II)	Composite
J	Cadmium Olive Drab	
L	Cadmium Olive Drab over Electroless Nickel (Selective Plating, see Figure II)	
M	Electroless Nickel	
XC	Nickel Fluorocarbon Polymer	
YL	Pure Dense Electrodeposited Aluminum (Selective Plating, see Figure II)	
ZC	Zinc Nickel	
ZL	Zinc Nickel (Selective Plating, see Figure II)	

1. Not for Navy use, restricted for Air Force space applications only.  
2. P, W, Z and ZP finish not for use in space applications. Also see specification notes.

# 45° SELF-LOCKING SHIELD BAND TERMINATION BACKSHELL

B049BG89

For **SC3\*** Series (MIL-DTL-38999 Series III)  
For Bands, Use M85049/128

## ORDERING INFORMATION

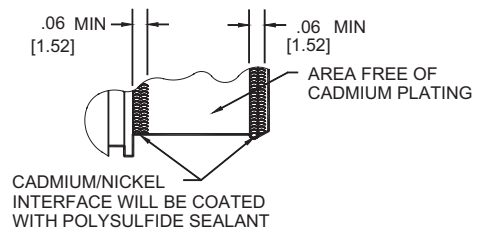
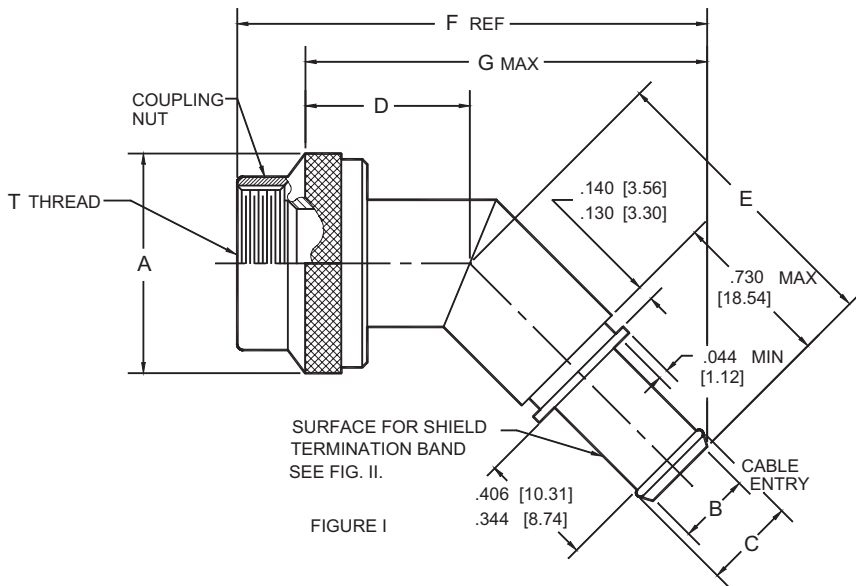
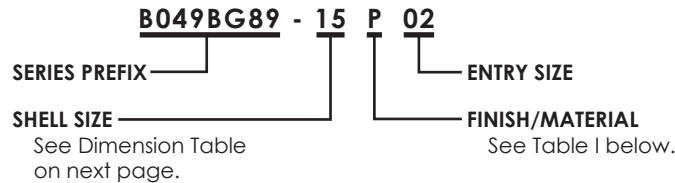


FIGURE II

TABLE I - AVAILABLE FINISHES

CODE	FINISH	MATERIAL
G	Electroless Nickel (See Note 1) (Space Grade)	Aluminum Alloy
N	Electroless Nickel (See Note 1)	
P	Cadmium Olive Drab over Electroless Nickel (Selective Plating, see Figure II)	
W	Cadmium Olive Drab (See Note 2)	
X	Nickel Fluorocarbon Polymer	
Z	Zinc Nickel	
YP	Pure Dense Electrodeposited Aluminum	
ZP	Zinc Nickel (Selective Plating, see Figure II)	
J	Cadmium Olive Drab	Composite
L	Cadmium Olive Drab over Electroless Nickel (Selective Plating, see Figure II)	
M	Electroless Nickel	
XC	Nickel Fluorocarbon Polymer	
YL	Pure Dense Electrodeposited Aluminum (Selective Plating, see Figure II)	
ZC	Zinc Nickel	
ZL	Zinc Nickel (Selective Plating, see Figure II)	

1. Not for Navy use, restricted for Air Force space applications only.  
2. P, W, Z and ZP finish not for use in space applications. Also see specification notes.



# 45° SELF-LOCKING SHIELD BAND TERMINATION BACKSHELL

B049BG89

ACCESSORY SHELL SIZE	SHELL SIZE CODE (REF)	ØA MAX	ØB ±.010 [±0.25] ENTRY SIZE		ØC REF.		D MAX	E MAX
			02	03	02	03		
			9	A	.858 [21.79]	N/A		
11	B	.984 [24.99]	N/A	.312 [7.92]	N/A	.457 [11.61]	1.03 [26.16]	1.19 [30.23]
13	C	1.157 [29.39]	.312 [7.92]	.438 [11.13]	.457 [11.61]	.583 [14.81]	1.06 [26.92]	1.21 [30.73]
15	D	1.279 [32.49]	.438 [11.13]	.562 [14.27]	.583 [14.81]	.707 [17.96]	1.08 [27.43]	1.24 [31.50]
17	E	1.406 [35.71]	.500 [12.70]	.625 [15.88]	.645 [16.38]	.770 [19.56]	1.11 [28.19]	1.26 [32.00]
19	F	1.516 [38.51]	.625 [15.88]	.750 [19.05]	.770 [19.56]	.895 [22.73]	1.12 [28.45]	1.27 [32.26]
21	G	1.642 [41.71]	.625 [15.88]	.812 [20.62]	.770 [19.56]	.957 [24.31]	1.15 [29.21]	1.30 [33.02]
23	H	1.768 [44.91]	.688 [17.48]	.938 [23.83]	.829 [21.06]	1.083 [27.51]	1.17 [29.72]	1.33 [33.78]
25	J	1.889 [47.98]	.750 [19.05]	1.000 [25.40]	.895 [22.73]	1.145 [29.08]	1.20 [30.48]	1.35 [34.29]

Dimensions in brackets [ ] are in millimeters.

ACCESSORY SHELL SIZE	SHELL SIZE CODE (REF)	F REF OC		G MAX OC		T THREAD ISO METRIC
		02	03	02	03	
		9	A	N/A	2.218 [56.34]	
11	B	N/A	2.281 [57.94]	N/A	2.033 [51.64]	M15 X 1-6H
13	C	2.325 [59.06]	2.370 [60.20]	2.077 [52.76]	2.122 [53.90]	M18 X 1-6H
15	D	2.411 [61.24]	2.455 [62.36]	2.163 [54.94]	2.207 [56.06]	M22 X 1-6H
17	E	2.477 [62.92]	2.521 [64.03]	2.229 [56.62]	2.273 [57.73]	M25 X 1-6H
19	F	2.538 [64.47]	2.528 [64.21]	2.290 [58.17]	2.334 [59.28]	M28 X 1-6H
21	G	2.589 [65.76]	2.656 [67.46]	2.341 [59.46]	2.408 [61.16]	M31 X 1-6H
23	H	2.652 [67.36]	2.741 [69.62]	2.404 [61.06]	2.493 [63.32]	M34 X 1-6H
25	J	2.719 [69.06]	2.807 [71.30]	2.471 [62.76]	2.559 [65.00]	M37 X 1-6H

Dimensions in brackets [ ] are in millimeters.

8D



# 90° SELF-LOCKING SHIELD BAND TERMINATION BACKSHELL

B049BG90

For **SC3\*** Series (MIL-DTL-38999 Series III)  
For Bands, Use M85049/128

## ORDERING INFORMATION

**B049BG90 - 15 P 02**

SERIES PREFIX ————  
SHELL SIZE ————  
See Table II below.

ENTRY SIZE ————  
FINISH/MATERIAL ————  
See Table I below.

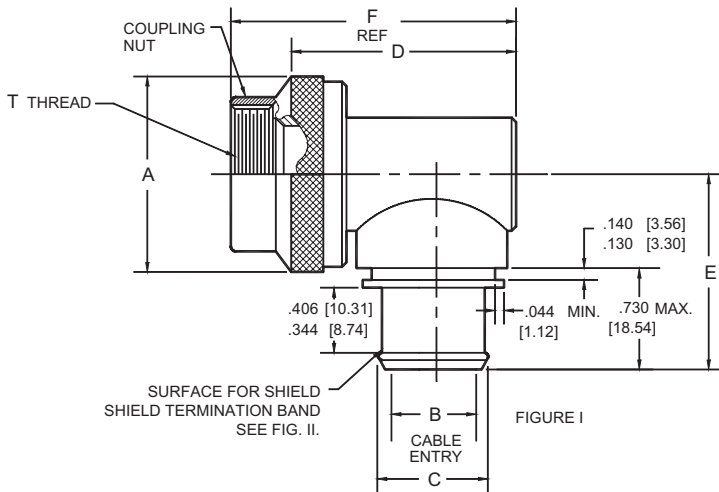
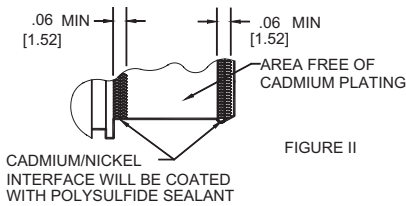


TABLE I - AVAILABLE FINISHES

CODE	FINISH	MATERIAL
G	Electroless Nickel (See Note 1) (Space Grade)	Aluminum Alloy
N	Electroless Nickel (See Note 1)	
P	Cadmium Olive Drab over Electroless Nickel (Selective Plating, see Figure II)	
W	Cadmium Olive Drab (See Note 2)	
X	Nickel Fluorocarbon Polymer	
Z	Zinc Nickel	
YP	Pure Dense Electrodeposited Aluminum	
ZP	Zinc Nickel (Selective Plating, see Figure II)	
J	Cadmium Olive Drab	Composite
L	Cadmium Olive Drab over Electroless Nickel (Selective Plating, see Figure II)	
M	Electroless Nickel	
XC	Nickel Fluorocarbon Polymer	
YL	Pure Dense Electrodeposited Aluminum (Selective Plating, see Figure II)	
ZC	Zinc Nickel	
ZL	Zinc Nickel (Selective Plating, see Figure II)	



1. Not for Navy use, restricted for Air Force space applications only.  
2. P, W, Z and ZP finish not for use in space applications. Also see specification notes.

TABLE II

ACCESSORY SHELL SIZE	SHELL SIZE CODE (REF)	ØA MAX	ØB ±.010 [±0.25] ENTRY SIZE		ØC REF.		D MAX	E MAX	F REF	T THREAD ISO METRIC
			02	03	02	03				
			9	A	.858 [21.79]	N/A				
11	B	.984 [24.99]	N/A	.312 [7.92]	N/A	.457 [11.61]	1.437 [36.50]	1.480 [37.59]	1.685 [42.80]	M15 X 1-6H
13	C	1.157 [29.39]	.312 [7.92]	.438 [11.13]	.457 [11.61]	.583 [14.81]	1.562 [39.67]	1.553 [39.45]	1.810 [45.97]	M18 X 1-6H
15	D	1.279 [32.49]	.438 [11.13]	.562 [14.27]	.583 [14.81]	.707 [17.96]	1.687 [42.85]	1.614 [41.00]	1.935 [49.15]	M22 X 1-6H
17	E	1.406 [35.71]	.500 [12.70]	.625 [15.88]	.645 [16.38]	.770 [19.56]	1.750 [44.45]	1.678 [42.62]	1.998 [50.75]	M25 X 1-6H
19	F	1.516 [38.51]	.625 [15.88]	.750 [19.05]	.770 [19.56]	.895 [22.73]	1.875 [47.63]	1.773 [45.03]	2.123 [53.92]	M28 X 1-6H
21	G	1.642 [41.71]	.625 [15.88]	.812 [20.62]	.770 [19.56]	.957 [24.31]	1.938 [49.23]	1.796 [45.62]	2.186 [55.52]	M31 X 1-6H
23	H	1.768 [44.91]	.688 [17.48]	.938 [23.83]	.829 [21.06]	1.083 [27.51]	2.062 [52.37]	1.859 [47.22]	2.310 [58.67]	M34 X 1-6H
25	J	1.889 [47.98]	.750 [19.05]	1.000 [25.40]	.895 [22.73]	1.145 [29.08]	2.125 [53.98]	1.919 [48.74]	2.373 [60.27]	M37 X 1-6H

Dimensions in brackets [ ] are in millimeters.



# COMPOSITE SPLIT SUPPORT RING

B049BG93

## ORDERING INFORMATION

**B049BG93 - 14**

SERIES PREFIX

DASH NUMBER

See Table I below.

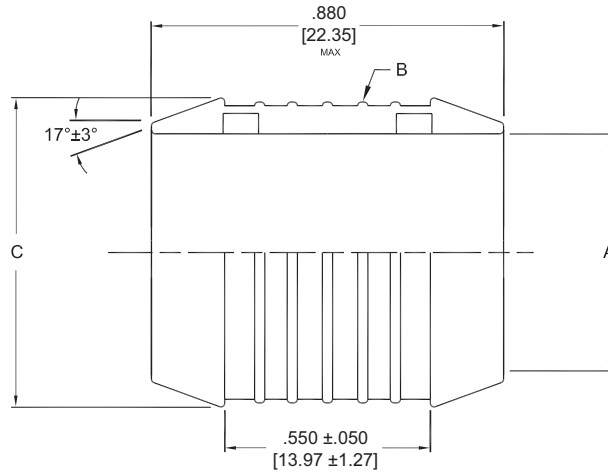


TABLE I

DASH	A ±0.010 [±0.25] DIA	B ±0.030 [±0.76] DIA	C ±0.010 [±0.25] DIA
04	0.250 [6.35]	0.360 [9.14]	0.404 [10.26]
06	0.375 [9.52]	0.485 [12.32]	0.529 [13.44]
08	0.500 [12.70]	0.610 [15.49]	0.654 [16.61]
10	0.625 [15.88]	0.735 [18.67]	0.779 [19.79]
12	0.750 [19.05]	0.860 [21.84]	0.904 [22.96]
14	0.875 [22.22]	0.985 [25.02]	1.029 [26.14]
16	1.000 [25.40]	1.110 [28.19]	1.154 [29.31]
18	1.125 [28.58]	1.235 [31.37]	1.279 [32.49]
20	1.250 [31.75]	1.360 [34.54]	1.404 [35.66]
22	1.375 [34.92]	1.485 [37.72]	1.529 [38.84]
24	1.500 [38.10]	1.610 [40.89]	1.654 [42.01]
26	1.625 [41.28]	1.735 [44.07]	1.779 [45.19]
28	1.750 [44.45]	1.860 [47.24]	1.904 [48.36]

Dimensions in brackets [ ] are in millimeters.

8D



# SPACECRAFT COMPONENTS TERMINATION BANDS

These Bands are commonly used to attach a braid or a shield to a backshell. They come in two shapes: Coiled or flat.

To provide our customers with a cost effective solution, Spacecraft Components now manufactures Termination Bands and is qualified to the M85049/128 specification.

Shown below is a summary of the various bands and their respective tools.

ELECTRO-ADAPTER	SHAPE	SIZE	SCP P/N	MILITARY REFERENCE	MILITARY TOOL	NON MILITARY APPLICATIONS	
						ELECTRO-ADAPTER TOOL	DANIELS TOOL
214LF002	Flat	.245 x 14.0	SCPSE-02F	M85049/128-1	M81306/2-01▲	EAK214-25▲	DBS-1101▲
214L0002	Coiled		SCPSE-02C	M85049/128-2			

BAND-IT®	SHAPE	SIZE	SCP P/N	MILITARY REFERENCE	MILITARY TOOLS	NON MILITARY APPLICATIONS		
						BAND-IT® TOOLS	DANIELS TOOLS	GLENAIR TOOLS
A10089	Flat	.242 x 14.25	SCPBE-02F	M85049/128-3	M81306/1-01●	A40199●	DBS-2100●	600-058●
A10088	Coiled		SCPBE-02C	M85049/128-4				
A11089	Flat	.242 x 18.00	N/A	N/A				
A31189*	Flat	.120 x 8.125	SCPBE-04F	M85049/128-7	M81306/1-02●	A30199●	DBS-2200●	600-061●
A31188*	Coiled		SCPBE-04C	M85049/128-8				
A31089*	Flat	.120 x 14.30	SCPBE-03F	N/A				

\* Mini Band

GLENAIR	SHAPE	SIZE	SCP P/N	MILITARY REFERENCE	MILITARY TOOLS	NON MILITARY APPLICATIONS		
						GLENAIR TOOLS	BAND-IT® TOOLS	DANIELS TOOLS
600-052	Flat	.242 x 14.25	SCPBE-02F	M85049/128-3	M81306/1-01●	600-058●	A40199●	DBS-2100●
600-052-1	Coiled		SCPBE-02C	M85049/128-4				
600-090	Flat	.245 x 18.0	N/A	N/A	M81306/1-01●	600-058●	A40199●	DBS-2100●
600-090-1	Coiled							
600-057*	Flat	.120 x 8.125	SCPBE-04F	M85049/128-7	M81306/1-02●	600-061●	A30199●	DBS-2200●
600-057-1*	Coiled		SCPBE-04C	M85049/128-8				
600-083*	Flat	.120 x 14.30	SCPBE-03F	N/A				
600-083-1*	Coiled		SCPBE-03C					

\* Mini Band

Band-It® and Glenair bands work in the DBS or STS Tools, but two operations are required (terminate and fold-over) rather than the one operation (terminate/trim). DBS or STS-1101, and 1201 tools include both the termination tool and the secondary roll-over tool.

SUNBANK	SHAPE	SIZE	SCP P/N	MILITARY REFERENCE	MILITARY TOOLS	NON MILITARY APPLICATIONS	
						SUNBANK TOOLS	DANIELS TOOLS
S 3175-2	Flat	.245 x 14.00	SCPSE-02F	M85049/128-1	M81306/2-01▲	STS-1101▲	DBS-1101▲
S 3175-2C	Coiled		SCPSE-02C	M85049/128-2			
S 3175-3*	Flat	.118 x 9.50	SCPSE-04F	M85049/128-5	M81306/2-02▲	STS-1201▲	DBS-1201▲
S 3175-3C*	Coiled		SCPSE-04C	M85049/128-6			
S 3175-4*	Flat	.118 x 14.25	SCPSE-03F	N/A	M81306/2-02▲	STS-1201▲	DBS-1201▲
S 3175-4C*	Coiled		SCPSE-03C				

\* Mini Band

DBS or STS-1101 and 1201 tools include both the termination tool and the secondary roll-over tool.

## MILITARY REFERENCE

MILITARY	SHAPE	SIZE	SCP P/N	MILITARY TOOLS	NON MILITARY APPLICATIONS			
					Band-It®	Daniels	Glenair	Sunbank
M85049/128-1	Flat	.245 x 14.00	SCPSE-02F	M81306/2-01▲	-	DBS-1101▲	-	STS-1101▲
M85049/128-2	Coiled		SCPSE-02C					
M85049/128-3	Flat	.242 x 14.25	SCPBE-02F	M81306/1-01●	A40199●	DBS-2100●	600-058●	-
M85049/128-4	Coiled		SCPBE-02C					
M85049/128-5*	Flat	.118 x 9.50	SCPSE-04F	M81306/2-02▲	-	DBS-1201▲	-	STS-1201▲
M85049/128-6*	Coiled		SCPSE-04C					
M85049/128-7*	Flat	.120 x 8.125	SCPBE-04F	M81306/1-02●	A30199●	DBS-2200●	600-061●	-
M85049/128-8*	Coiled		SCPBE-04C					

\* M85049/128-5, -6, -7, -8 are proposed.

● One Step Tool  
▲ Two Step Tool

© Band-It® is a registered trademark of Band-It-IDEX, Inc., a division of IDEX Corporation, of which Spacecraft Components Corp. is not affiliated.



# M85049/128

## TERMINATION BANDS (.250 WIDE)

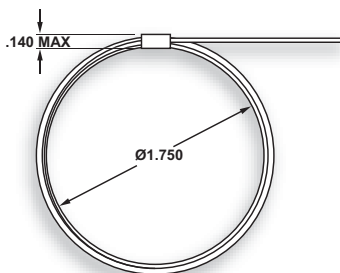


M85049/128-2

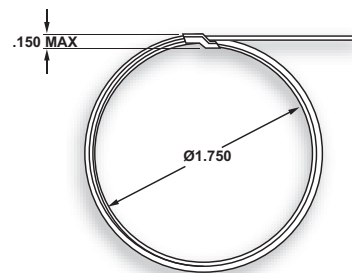
M85049/128-1 & M85049/128-2  
 SCPSE-02F & SCPSE-02C  
**TERMINATION TOOLS:**  
 DANIELS: DBS-1101▲  
 SUNBANK: STS-1101▲  
 M81306/2-01▲

M85049/128-3 & M85049/128-4  
 SCPBE-02F & SCPBE-02C  
**TERMINATION TOOLS:**  
 BAND-IT®: A40199●  
 DANIELS: DBS-1101▲  
 DBS-2100●  
 GLENAIR: 600-058●  
 M81306/1-01●

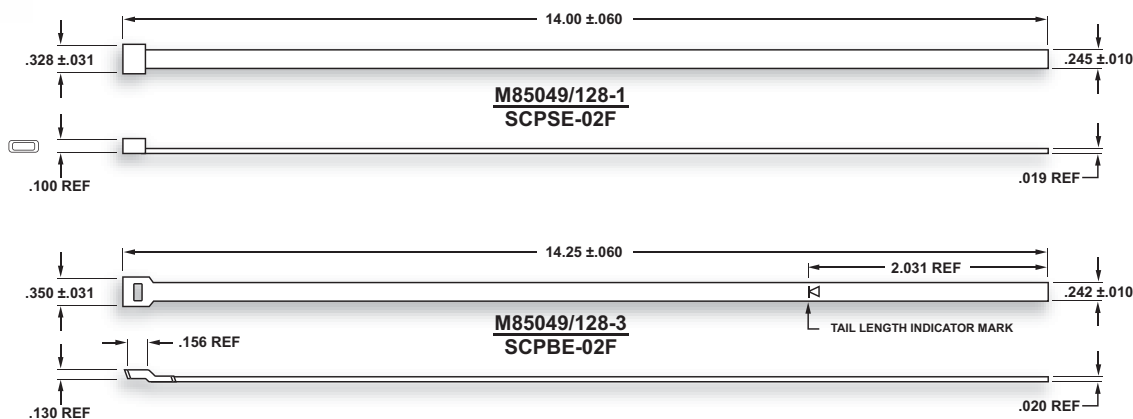
● One Step Tool  
 ▲ Two Step Tool



M85049/128-2  
 SCPSE-02C



M85049/128-4  
 SCPBE-02C



## MINI-BANDS (.120 WIDE)

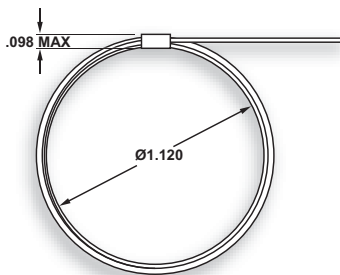


M85049/128-8

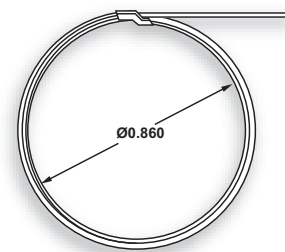
M85049/128-5 & M85049/128-6  
 SCPSE-04F & SCPSE-04C  
 SCPSE-03F & SCPSE-03C  
**TERMINATION TOOLS:**  
 DANIELS: DBS-1201▲  
 SUNBANK: STS-1201▲  
 M81306/2-02▲

M85049/128-7 & M85049/128-8  
 SCPBE-04F & SCPBE-04C  
 SCPBE-03F & SCPBE-03C  
**TERMINATION TOOLS:**  
 BAND-IT®: A30199●  
 DANIELS: DBS-1201▲  
 DBS-2200●  
 GLENAIR: 600-061●  
 M81306/1-02●

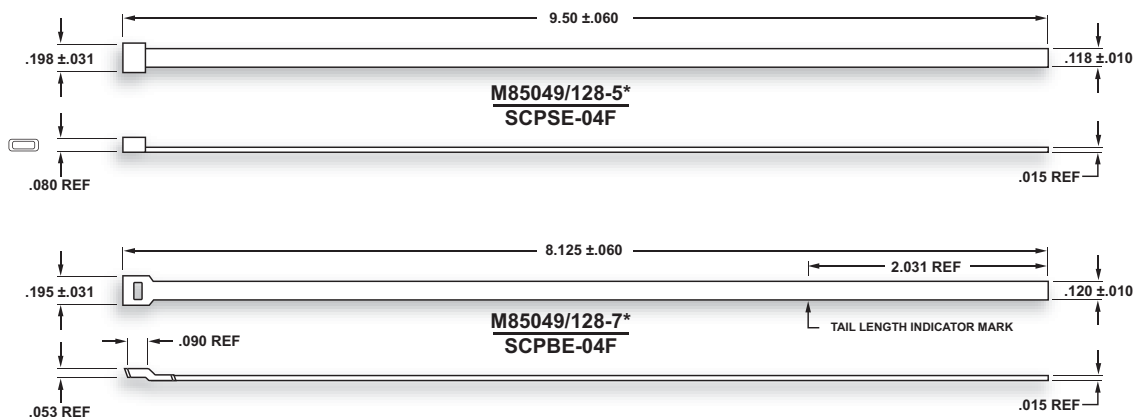
● One Step Tool  
 ▲ Two Step Tool



M85049/128-6\*  
 SCPSE-04C



M85049/128-8\*  
 SCPBE-04C



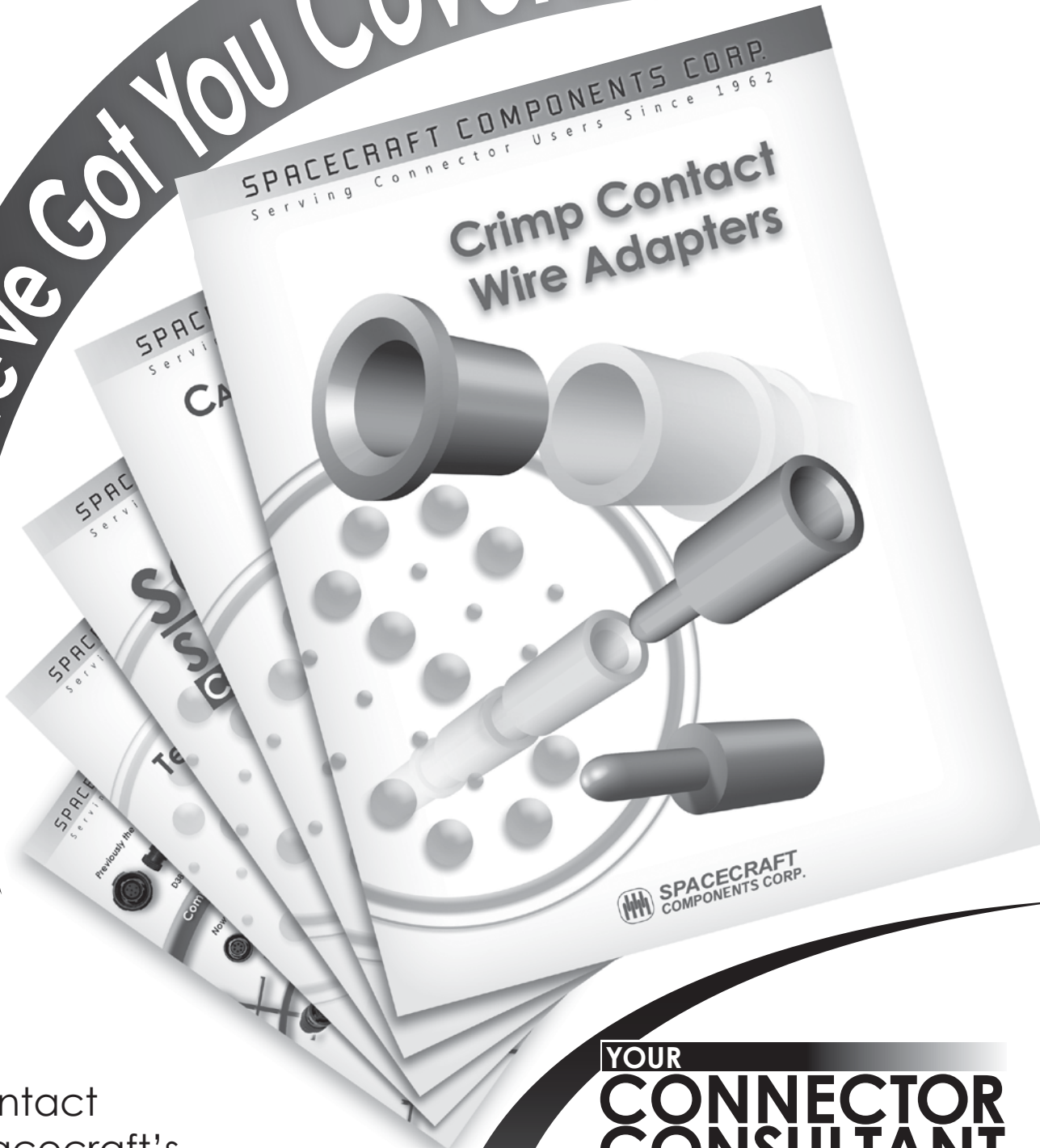
8D

\* M85049/128-5, -6, -7, -8 are proposed.

© Band-It® is a registered trademark of Band-It-IDEA, Inc., a division of IDEX Corporation, of which Spacecraft Components Corp. is not affiliated.



We've Got You Covered



Contact  
Spacecraft's  
Consultative Sales Team  
for Ordering Information



YOUR  
**CONNECTOR  
CONSULTANT**  
SINCE 1962



**702.851.7600**



# SECTION 9D

## SHORTING CANS

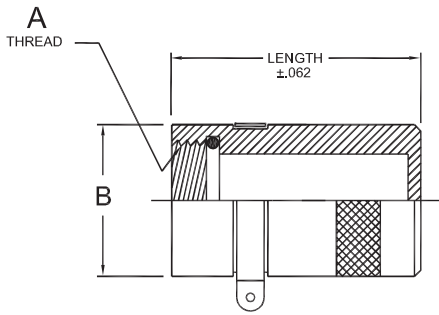
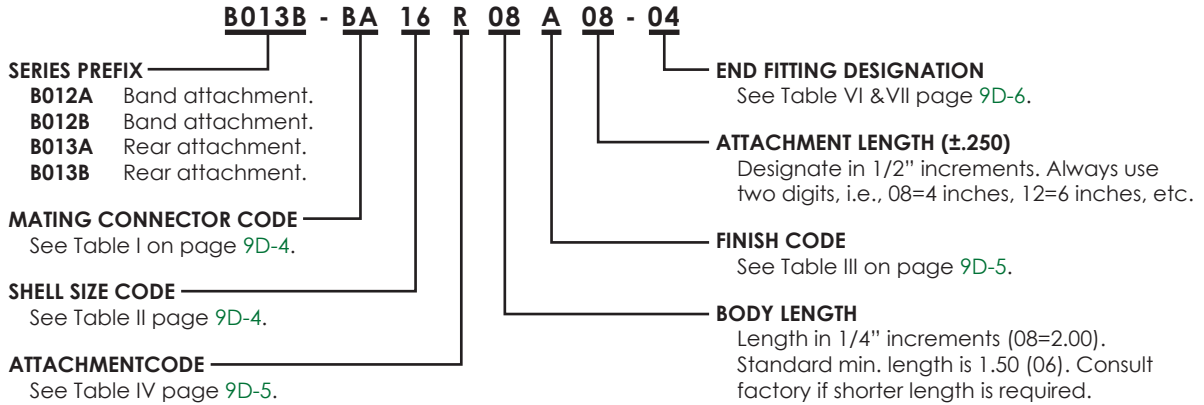
9D

# SHORTING CANS

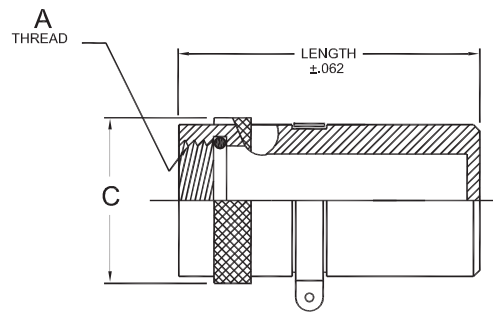
B012A, B012B, B013A, B013B

Various Series. See Table I on Page 9D-4.

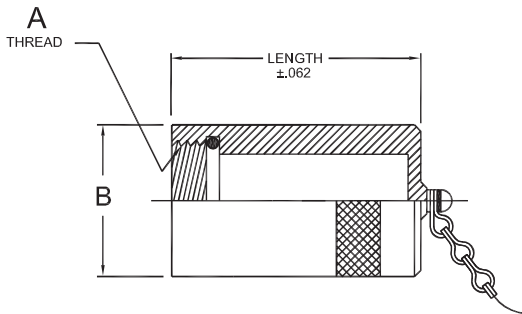
## ORDERING INFORMATION



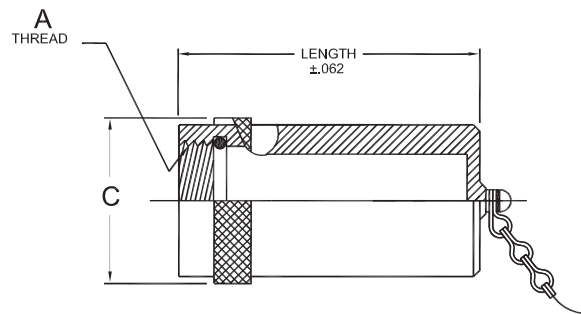
**B012A**  
 Straight-Solid Body  
 Band Attachment



**B012B**  
 Straight-Spin Coupling Nut  
 Band Attachment



**B013A**  
 Straight-Solid Body  
 Rear Attachment



**B013B**  
 Straight-Spin Coupling Nut  
 Rear Attachment



# SHORTING CANS

## B012A, B012B, B013A, B013B

A ACCESSORY THREAD	MATES WITH SHELL SIZE BELOW BY CONNECTOR CODE									B MAX.	C MAX.
	AB	AF	AK	AM	BA	BB	BF		BG		
			SWLD†	SWL†			SERIES				
		*1	*2	I			II	III			
.375-32UNEF	8S									.531	.688
.438-28UNEF					8		9	8		.594	.688
.500-20UNF		8 & 8S								.656	.617
.500-28UNEF	10S				10					.656	.850
M12x 1.0									9	.656	.688
.562-24UNEF					10		11	10		.719	.812
.625-24UNEF	10SL, 12 & 12S	10, 10S & 10SL			12		8			.781	.875
M15x 1.0									11	.781	.812
.688-24UNEF					12		13	12		.844	.938
.750-20UNEF	14 & 14S	12 & 12S	12	14			10			.906	1.000
M18x 1.0									13	.906	.938
.812-20UNEF					14		15	14		.969	1.062
.875-20UNEF	16 & 16S	14 & 14S	14	16			12			1.031	1.125
M22x 1.0									15	1.031	1.062
.938-20UNEF					16		17	16		1.094	1.188
1.000-20UNEF	18	16 & 16S	16	18			14			1.156	1.250
M25x 1.0									17	1.156	1.188
1.062-18UNEF		18			18		19	18		1.219	1.312
1.125-18UNEF	20		18	20			16			1.281	1.375
M28x 1.0									19	1.281	1.312
1.188-18UNEF		20			20		21	20		1.344	1.438
1.250-18UNEF	22		20	22			18			1.406	1.500
M31 x 1.0									21	1.406	1.438
1.312-18UNEF		22			22		23	22		1.469	1.562
1.375-18UNEF	24		22	24			20			1.531	1.625
M34x 1.0									23	1.531	1.562
1.438-18UNEF		24			24		25	24		1.594	1.688
1.500-18UNEF							22			1.656	1.688
M37x 1.0									25	1.656	1.688
1.625-18UNEF	28		24	28			24			1.844	1.969
1.750-18UNS		28								1.969	2.094
1.875-16UN	32		28	32						2.094	2.219
2.000-18UNS		32								2.219	2.344
2.062-16UNS	36		32	36						2.281	2.406
2.250-16UN		36								2.469	2.594
2.312-16UNS	40		36	40						2.531	2.656
2.500-16UN		40								2.719	2.844
2.625-16UN			40	44						2.844	2.969
2.750-16UN		44								2.969	2.969
2.875-16UN			44	48						3.094	3.281
3.000-16UN		48								3.219	2.406

\* 1 - Shell Sizes I, A, W, AS50151 (Crimp), MIL-DTL-26482 (Series 2)

\* 2 - Shell Sizes I, A, W, MIL-DTL-22992 Class C, J & R

† Left hand threads

# MATING CONNECTOR CODES

**TABLE I. MATING CONNECTOR CODES**

CODE	CONNECTOR SPECIFICATION
<b>AB</b>	AS50151, Solder Contacts, and F80 Crimp, SCP and SCPB Series
<b>AF</b>	AS50151, Crimp Front or Rear Release Contacts SC30 thru SC39 and SC50 thru SC59 MIL-DTL-26482, Series 2, SCPT70 thru SCPT79
<b>AK</b>	MIL-DTL-22992, Class C & R, SWLD Series, SCP17343 thru SCP17347
<b>AM</b>	SWL Series
<b>BA</b>	MIL-DTL-26482 Series I, Solder or Crimp Front Release, SCPT and SCPC Series
<b>BB</b>	MIL-DTL-26482 Series I, Class E, F & P SCPT07* and SCPT07S*
<b>BF</b>	MIL-DTL-38999 Series I & II, SC1001, SC1466, SC1467, SC1468, SC1469, SC1470, SC1471, SC1496, SC1498, SC1505, SC1656, SC1662, SC2001, SC2472, SC2473, SC2474, SC2475, SC2476, SC2477, SC2478, SC2484, SC2497, SC2499, SC2508, SC2513
<b>BG</b>	MIL-DTL-38999, Series III, SC3920 thru SC3926

# SHELL SIZE CODES

**TABLE II. SHELL SIZE CODES**

SHELL SIZE CODE	MATING CONNECTOR CODES									
	AB	AF	AK	AM	BA	BB	BF			BG
			SWLD	SWL			SERIES			
							I	II	III	
08	8S	8 & 8S			8	8	9	8		
09									9	
10	10S	10, 10S & 10SL		10	10	10	11	10		
11				12					11	
12	10SL, 12 & 12S	12 & 12S	12	14	12	12	13	12		
13									13	
14	14 & 14S	14 & 14S	14	16	14	14	15	14		
15									15	
16	16 & 16S	16 & 16S	16	18	16	16	17	16		
17									17	
18	18	18	18	20	18	18	19	18		
19									19	
20	20	20	20	22	20	20	21	20		
21									21	
22	22	22	22	24	22	22	23	22		
23									23	
24	24	24	24	28	24	24	25	24		
25									25	
28	28	28	28	32						
32	32	32	32	36						
36	36	36	36	40						
40	40	40	40	44						
44		44	44							
48		48	48							



# FINISH AND ATTACHMENT CODES

**TABLE III. FINISH CODES** CONSULT FACTORY FOR OTHER AVAILABLE FINISHES

FINISH CODE	DESCRIPTION
A	Cadmium, Olive Drab, per QQ-P-416, Type II, Over Electroless Nickel, per MIL-C-26074 (1000 Hour Salt Spray Finish)
B	Cadmium, Black, per QQ-P-416, Type II, Class 3
C	Cadmium, Olive Drab, per QQ-P-416, Type II, Class 3
D	Cadmium - Yellow, per QQ-P-416, Type II Class 3, 48 Hours
E	Cadmium - Yellow Over Nickel, 48 Hours
F	Anodize, Sulphuric, Black, per MIL-A-8625, Type II, Class 2
G	Chromium Plate, per QQ-C-320, CLASS 2 A, Type II
H	Anodize, Hard, Black, per MIL-A-8625, Type III, Class 2
I	Chemical Film, per MIL-C-5541
J	Cadmium, Clear, per QQ-P-416, Type II Class 3
K	Nickel, Electro Deposited, per QQ-N-290, Class 2

FINISH CODE	DESCRIPTION
L	Zinc Cobalt, Color O.D. .000050
M	Zinc Cobalt, Color Black, .000050
N	Electroless Nickel, per MIL-C-26074, Class 4, Grade B
R	Anodize, Hard, Gray, per MIL-A-8625, Type III, Class 1
S	Anodize, Sulphuric, Gray, per MIL-A-8625, Type II, Class 1
T	Anodize, Hard Color Blue
U	Anodize, Hard Color Red
V	Anodize, Hard Color Yellow
X	Cadmium, Bright, per QQ-P-416, Type II, Over Electroless Nickel, per MIL-C-26074
Z	Anodize, Hard, Green, per MIL-A-8625, Type III, Class 1, Dichromate Seal

**TABLE IV. ATTACHMENT CODES**

ATTACHMENT CODE	DESCRIPTION
A	No attachment required
B	Bead chain, brass, nickel plated
C	Sash chain, SST, passivated
D	Bead chain, SST, passivated
E	Bead chain, brass, cadmium, olive drab plated
F	Bead chain, brass, unfinished
I	Bead chain, brass, black oxide finish
R	Wire rope, SST, PVC covered, green color
T	Wire rope, SST, teflon covered, natural cover
U	Wire rope, SST, nylon cover, brown color
V	Wire rope, SST, viton covered, black color
W	Nylon cord, green color, SST terminal

End Fittings Illustrated On Next Page

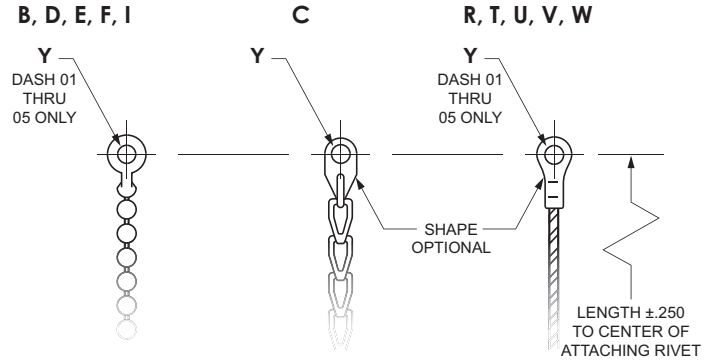


# END FITTING CODES

**TABLE VI. EYELET END FITTING STYLES AND SIZES (NOT USED WITH ATTACHMENT CODE A)**

**USED WITH ATTACHMENT CODES:**

DASH NO. CODE	Y REF. DIA.
01	.125
02	.141
03	.167
04	.188
05	.219
06	.250

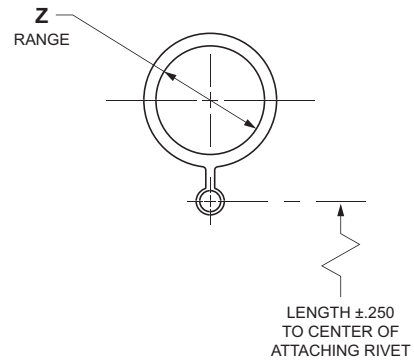


**TABLE VII. RING END FITTING SIZES (NOT USED WITH ATTACHMENT CODE A)**

Z RANGE	DASH NO. CODE	RING PART NUMBER REF.
.401-.391	33	*
.454-.444	34	*
.464-.454	35	*
.526-.516	36	*
.604/.584	11	229142-01
.651-.641	37	*
.729/.709	12	229142-02
.88S/.865	13	229142-03
.948/.918	14	229142-04
1.072-1.052	15	229142-05
1.198-1.178	16	229142-06
1.322-1.302	17	229142-07
1.448-1.428	18	229142-08
1.572-1.552	19	229142-09

Z RANGE	DASH NO. CODE	RING PART NUMBER REF.
1.698-1.678	20	229142-10
1.822-1.802	21	229142-11
1.948-.928	22	229142.12
2.026-2.016	23	*
2.088-2.078	24	*
2.151-2.141	25	229431-09
2.276-2.266	26	*
2.338-2.328	27	*
2.401-2.391	28	229431-10
2.526-2.516	29	*
2.651-2.641	30	229431-11
2.901-2.891	31	229431-12
3.026-3.016	32	*

**USED WITH ATTACHMENT CODES:  
B THRU W**



\* = Consult factory for availability.



# SECTION 10D BACKSHELLS SHRINK BOOT ADAPTERS

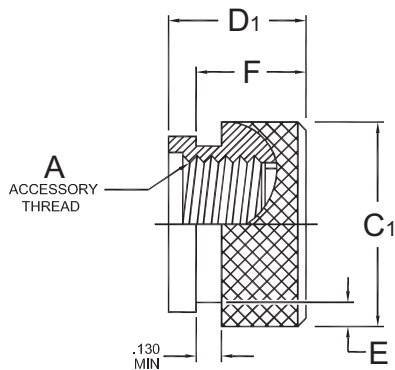
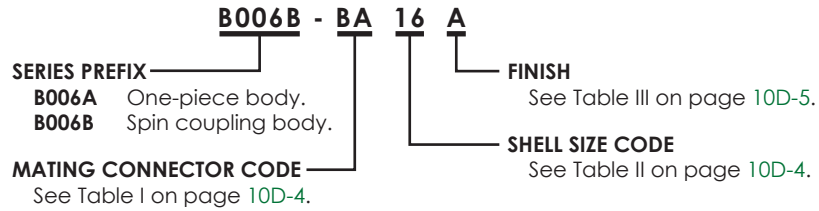


# SHRINK BOOT ADAPTER

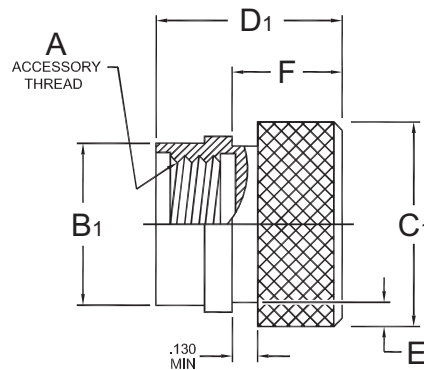
B006A, B006B

For Various Series. See Table I on Next Page.

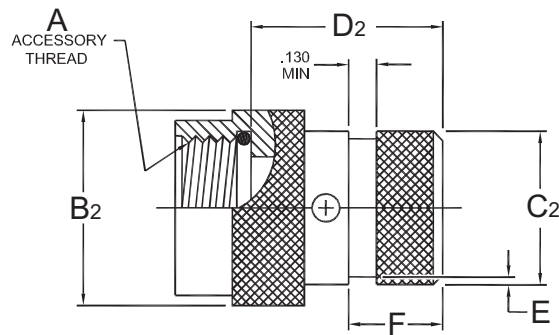
## ORDERING INFORMATION



**B006A-AF Only**



**B006A- Balance of Series**



**B006B**





# SHRINK BOOT ADAPTER

B006A, B006B

A ACCESSORY THREAD	MATES WITH SHELL SIZE BELOW BY CONNECTOR CODE								B <sub>1</sub> MAX.	B <sub>2</sub> MAX.	C <sub>1</sub> MAX.	C <sub>2</sub> MAX.	D <sub>1</sub> MAX.	D <sub>2</sub> MAX.	E MAX.	F MAX.		
	AB	AF	AK	AM	BA	BB	BF										BG	
			SWLD†	SWL†			SERIES											
							*1	*2										I
.375-32UNEF	8S								.531	.688	.656	.533	.734	.912	.044	.430		
.438-28UNEF					8		9	8	.594	.688	.719	.533	.830	.938	.044	.430		
.500-20UNF		8 & 8S							.656	.617	.688	.533	.540	.812	.044	.430		
.500-28UNEF	10S				10				.656	.850	.871	.533	.830	1.312	.044	.430		
M12x 1.0								9	.656	.688	.719	.533	.734	.812	.044	.430		
.562-24UNEF					10		11	10	.719	.812	.844	.605	.830	.938	.044	.430		
.625-24UNEF	10SL, 12 & 12S	10, 10S & 10SL			12		8		.781	.875	.906	.605	.830	.812	.044	.430		
M15x 1.0								11	.781	.812	.844	.605	.734	.812	.044	.430		
.688-24UNEF					12		13	12	.844	.938	.969	.774	.734	.938	.044	.430		
.750-20UNEF	14 & 14S	12 & 12S	12	14		10			.906	1.000	1.031	.774	1.438	1.312	.044	.430		
M18x 1.0								13	.906	.938	.969	.774	.734	.812	.044	.430		
.812-20UNEF					14		15	14	.969	1.062	1.094	.838	.734	.938	.044	.430		
.875-20UNEF	16 & 16S	14 & 14S	14	16		12			1.031	1.125	1.156	.838	1.438	1.312	.044	.430		
M22x 1.0								15	1.031	1.062	1.094	.838	.734	.812	.044	.430		
.938-20UNEF					16		17	16	1.094	1.188	1.281	.963	.734	.938	.044	.430		
1.000-20UNEF	18	16 & 16S	16	18		14			1.156	1.250	1.344	.963	1.438	1.312	.044	.430		
M25x 1.0								17	1.156	1.188	1.281	.963	.734	.812	.044	.430		
1.062-18UNEF		18			18		19	18	1.219	1.312	1.406	1.042	.734	.938	.044	.430		
1.125-18UNEF	20		18	20		16			1.281	1.375	1.469	1.217	1.438	1.312	.069	.430		
M28x 1.0								19	1.281	1.312	1.469	1.042	.734	.812	.044	.430		
1.188-18UNEF		20			20		21	20	1.344	1.438	1.531	1.217	.734	.938	.069	.430		
1.250-18UNEF	22		20	22		18			1.406	1.500	1.594	1.355	1.438	1.312	.069	.430		
M31 x 1.0								21	1.406	1.438	1.531	1.217	.734	.812	.069	.430		
1.312-18UNEF		22			22		23	22	1.469	1.562	1.656	1.355	.734	.938	.069	.430		
1.375-18UNEF	24		22	24		20			1.531	1.625	1.719	1.443	1.438	1.312	.069	.430		
M34x 1.0								23	1.531	1.562	1.656	1.355	.734	.812	.069	.295		
1.438-18UNEF		24			24		25	24	1.594	1.688	1.781	1.443	.734	.938	.069	.430		
1.500-18UNEF						22			1.656	1.688	1.844	1.443	.906	1.188	.069	.430		
M37x 1.0								25	1.656	1.688	1.781	1.443	.734	.812	.069	.430		
1.625-18UNEF	28		24	28		24			1.844	1.969	2.031	1.709	1.438	1.312	.069	.430		
1.750-18UNS		28							1.969	2.094	2.156	1.709	.734	.812	.069	.430		
1.875-16UN	32		28	32					2.094	2.219	2.281	1.919	1.625	1.438	.086	.592		
2.000-18UNS		32							2.219	2.344	2.406	1.919	.734	.969	.086	.592		
2.062-16UNS	36		32	36					2.281	2.406	2.469	2.169	1.625	1.438	.086	.592		
2.250-16UN		36							2.469	2.594	2.656	2.169	.734	.969	.086	.592		
2.312-16UNS	40		36	40					2.656	2.656	2.402	2.402	1.625	1.438	.086	.592		
2.500-16UN		40							2.719	2.844	2.906	2.402	.734	.969	.086	.592		
2.625-16UN			40	44					2.844	2.969	3.310	2.657	1.625	1.438	.086	.592		
2.750-16UN		44							2.969	2.969	3.156	2.657	.734	.969	.086	.592		
2.875-16UN			44	48					3.094	3.218	3.281	3.281	1.625	1.438	.086	.592		
3.000-16UN		48							3.219	3.406	3.406	3.406	.734	.969	.086	.592		

\* 1 - Shell Sizes I, A, W, AS50151 (Crimp), MIL-DTL-26482 (Series 2)

\* 2 - Shell Sizes I, A, W, MIL-DTL-22992 Class C, J & R

† Left hand threads

# MATING CONNECTOR CODES

**TABLE I. MATING CONNECTOR CODES**

CODE	CONNECTOR SPECIFICATION
<b>AB</b>	AS50151, Solder Contacts, and F80 Crimp, SCP and SCPB Series
<b>AF</b>	AS50151, Crimp Front or Rear Release Contacts SC30 thru SC39 and SC50 thru SC59 MIL-DTL-26482, Series 2, SCPT70 thru SCPT79
<b>AK</b>	MIL-DTL-22992, Class C & R, SWLD Series, SCP17343 thru SCP17347
<b>AM</b>	SWL Series
<b>BA</b>	MIL-DTL-26482 Series I, Solder or Crimp Front Release, SCPT and SCPC Series
<b>BB</b>	MIL-DTL-26482 Series I, Class E, F & P SCPT07* and SCPT07S*
<b>BF</b>	MIL-DTL-38999 Series I & II, SC1001, SC1466, SC1467, SC1468, SC1469, SC1470, SC1471, SC1496, SC1498, SC1505, SC1656, SC1662, SC2001, SC2472, SC2473, SC2474, SC2475, SC2476, SC2477, SC2478, SC2484, SC2497, SC2499, SC2508, SC2513
<b>BG</b>	MIL-DTL-38999, Series III, SC3920 thru SC3926

# SHELL SIZE CODES

**TABLE II. SHELL SIZE CODES**

SHELL SIZE CODE	MATING CONNECTOR CODES									
	AB	AF	AK	AM	BA	BB	BF			BG
			SWLD	SWL			SERIES			
							I	II	III	
08	8S	8 & 8S			8	8	9	8		
09									9	
10	10S	10, 10S & 10SL		10	10	10	11	10		
11				12					11	
12	10SL, 12 & 12S	12 & 12S	12	14	12	12	13	12		
13									13	
14	14 & 14S	14 & 14S	14	16	14	14	15	14		
15									15	
16	16 & 16S	16 & 16S	16	18	16	16	17	16		
17									17	
18	18	18	18	20	18	18	19	18		
19									19	
20	20	20	20	22	20	20	21	20		
21									21	
22	22	22	22	24	22	22	23	22		
23									23	
24	24	24	24	28	24	24	25	24		
25									25	
28	28	28	28	32						
32	32	32	32	36						
36	36	36	36	40						
40	40	40	40	44						
44		44	44							
48		48	48							



# FINISH AND ATTACHMENT CODES

**TABLE III. FINISH CODES**  
CONSULT FACTORY FOR OTHER AVAILABLE FINISHES

FINISH CODE	DESCRIPTION
<b>A</b>	Cadmium, Olive Drab, per QQ-P-416, Type II, Over Electroless Nickel, per MIL-C-26074 (1000 Hour Salt Spray Finish)
<b>B</b>	Cadmium, Black, per QQ-P-416, Type II, Class 3
<b>C</b>	Cadmium, Olive Drab, per QQ-P-416, Type II, Class 3
<b>D</b>	Cadmium - Yellow, per QQ-P-416, Type II Class 3, 48 Hours
<b>E</b>	Cadmium - Yellow Over Nickel, 48 Hours
<b>F</b>	Anodize, Sulphuric, Black, per MIL-A-8625, Type II, Class 2
<b>G</b>	Chromium Plate, per QQ-C-320, CLASS 2 A, Type II
<b>H</b>	Anodize, Hard, Black, per MIL-A-8625, Type III, Class 2
<b>I</b>	Chemical Film, per MIL-C-5541
<b>J</b>	Cadmium, Clear, per QQ-P-416, Type II Class 3
<b>K</b>	Nickel, Electro Deposited, per QQ-N-290, Class 2
<b>L</b>	Zinc Cobalt, Color O.D. .000050
<b>M</b>	Zinc Cobalt, Color Black, .000050
<b>N</b>	Electroless Nickel, per MIL-C-26074, Class 4, Grade B
<b>R</b>	Anodize, Hard, Gray, per MIL-A-8625, Type III, Class 1
<b>S</b>	Anodize, Sulphuric, Gray, per MIL-A-8625, Type II, Class 1
<b>T</b>	Anodize, Hard Color Blue
<b>U</b>	Anodize, Hard Color Red
<b>V</b>	Anodize, Hard Color Yellow
<b>X</b>	Cadmium, Bright, per QQ-P-416, Type II, Over Electroless Nickel, per MIL-C-26074
<b>Z</b>	Anodize, Hard, Green, per MIL-A-8625, Type III, Class 1, Dichromate Seal

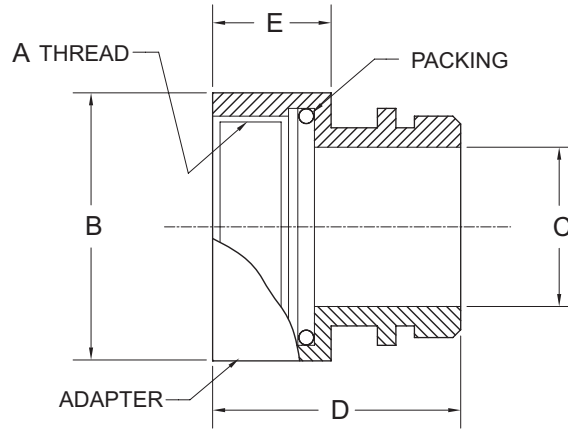
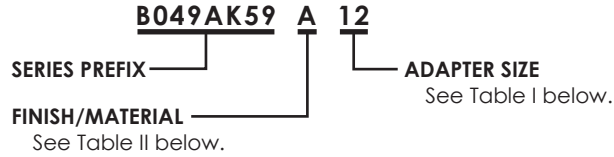


# SHRINK BOOT ADAPTER

B049AK59

For SWLD series (MIL-DTL-22992)

## ORDERING INFORMATION



**TABLE I**

ADAPTER SIZE	PREFORMED PACKING	A THREAD CLASS 2B-LH	B ±.010 [±0.25]	ØC ±.005 [±0.13]	D ±.031 [±0.79]	E ±.016 [±0.41]
12	MS9021-017	.7500-20 UNEF	.923 [23.44]	.500 [12.70]	1.175 [29.84]	.479 [12.17]
14	MS9021-019	.8750-20 UNEF	1.047 [26.59]	.656 [16.66]	1.175 [29.84]	.479 [12.17]
16	MS9021-021	1.0000-20 UNEF	1.172 [29.77]	.813 [20.65]	1.175 [29.84]	.479 [12.17]
18	MS9021-023	1.1250-18 UNEF	1.297 [32.94]	.938 [23.83]	1.175 [29.84]	.479 [12.17]
20	MS9021-025	1.2500-18 UNEF	1.422 [36.12]	1.063 [27.00]	1.175 [29.84]	.479 [12.17]
22	MS9021-027	1.3750-18 UNEF	1.547 [39.29]	1.188 [30.18]	1.175 [29.84]	.479 [12.17]
24	MS9021-030	1.6250-18 UNEF	1.787 [45.39]	1.312 [33.32]	1.175 [29.84]	.479 [12.17]
28	MS9021-032	1.8750-16 UN	2.047 [51.99]	1.500 [38.10]	1.175 [29.84]	.479 [12.17]
32	MS9021-033	2.0625-16 UN	2.297 [58.34]	1.800 [45.72]	1.175 [29.84]	.479 [12.17]
36	MS9021-035	2.3125-16 UN	2.547 [64.69]	2.000 [50.80]	1.175 [29.84]	.479 [12.17]
40	MS9021-038	2.6250-16 UN	2.859 [72.62]	2.250 [57.15]	1.375 [34.92]	.667 [16.94]
44	MS9021-040	2.8750-16 UN	3.110 [78.99]	2.459 [62.46]	2.857 [72.57]	2.982 [75.74]

Dimensions in brackets [ ] are in millimeters.

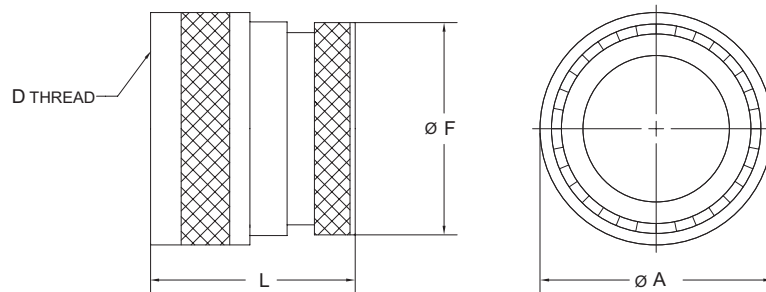
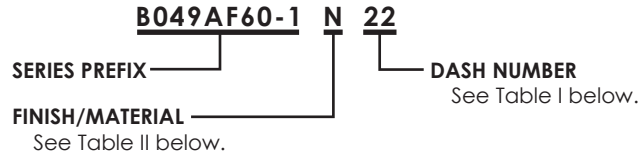
**TABLE II - AVAILABLE FINISHES**

CODE	DESCRIPTION	MATERIAL	TEMP. RANGE	EXCLUSIONS
A	Black anodize - In accordance with Class 2 of AMS-A-8625, Type II.	Aluminum Alloy	-65 to +175 °C	
W	Cadmium - Olive drab over suitable underplate, 1000 hour salt spray.		-65 to +175 °C	Not for use in space application.
X	Nickel fluorocarbon polymer. Nickel with fluorocarbon polymer additives over a suitable underplate to withstand 1000 hours of salt spray testing. Color shall be non-reflective. Final finish shall be electrically conductive.		-65 to +175 °C	
Y	Pure dense electrodeposited aluminum in accordance with MIL-DTL-83488, Type II, to withstand 500 hours of salt spray testing. Color shall be non-reflective. Final finish shall be electrically conductive.		-65 to +175 °C	Not for use on shield termination type connector accessories.
Z	Zinc nickel in accordance with ASTM B841 over suitable underplate to withstand 1000 hours of salt spray testing. Color shall be black, conductive, and non-reflective. Final finish shall be electrically conductive.		-65 to +175 °C	



For **SC30, SC50 & SC70** Series (AS50151 Crimp & MIL-DTL-26482 Series 2)  
 For Use with M85049/68-1 or MS3109 Shrink Boots  
 For Use with M85049/68-2 or MS3117 Shrink Boots

### ORDERING INFORMATION



**TABLE I**

DASH NO.	CONNECTOR SHELL SIZE		ØA MAX	ØF +.000 - .020 [+0.00] [-0.51]	L MAX	D THREAD CLASS 2B
	MIL-DTL-26482 SERIES 2	AS50151 CRIMP				
08	8	8S	.617 [15.67]	.533 [13.54]	1.125 [28.58]	.500-20 UNF
10	10	10S, 10SL	.734 [18.64]	.605 [15.37]	1.125 [28.58]	.625-24 UNEF
12	12	12, 12S	.858 [21.79]	.774 [19.66]	1.125 [28.58]	.750-20 UNEF
14	14	14, 14S	.984 [24.99]	.838 [21.29]	1.125 [28.58]	.875-20 UNEF
16	16	16, 16S	1.112 [28.24]	.963 [24.46]	1.125 [28.58]	1.000-20 UNEF
18	18	18	1.218 [30.94]	1.042 [26.47]	1.125 [28.58]	1.062-18 UNEF
20	20	20	1.345 [34.16]	1.217 [30.91]	1.125 [28.58]	1.188-18 UNEF
22	22	22	1.468 [37.29]	1.355 [34.42]	1.125 [28.58]	1.312-18 UNEF
24	24	24	1.593 [40.46]	1.433 [36.40]	1.287 [32.69]	1.438-18 UNEF
28	-	28	1.969 [50.01]	1.709 [43.41]	1.449 [36.80]	1.750-18 UNS
32	-	32	2.219 [56.36]	1.919 [48.74]	1.449 [36.80]	2.000-18 UNS
36	-	36	2.469 [62.71]	2.169 [55.09]	1.449 [36.80]	2.250-16 UN
40	-	40	2.719 [69.06]	2.402 [61.01]	1.449 [36.80]	2.500-16 UN
44	-	44	2.969 [75.41]	2.657 [67.49]	1.449 [36.80]	2.750-16 UN
48	-	48	3.219 [81.76]	2.907 [73.84]	1.449 [36.80]	3.000-16 UN

Dimensions in brackets [ ] are in millimeters.

**TABLE II - AVAILABLE FINISHES**

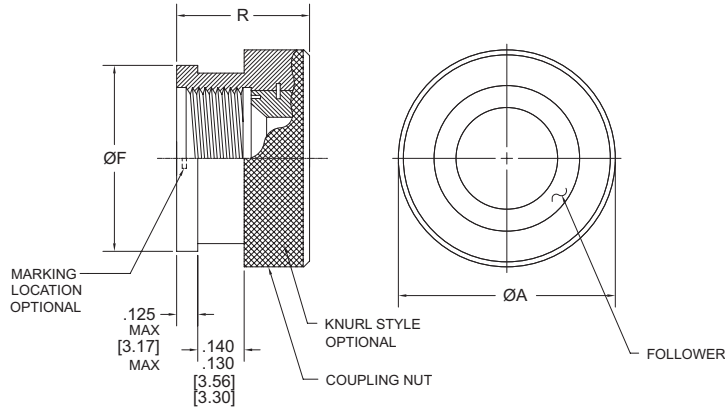
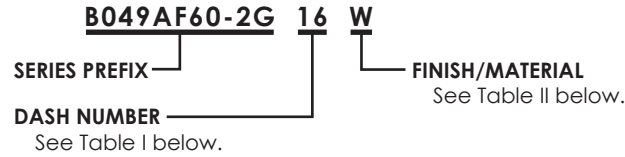
CODE	DESCRIPTION	MATERIAL	TEMP. RANGE	EXCLUSIONS
<b>A</b>	Black anodize - In accordance with Class 2 of AMS-A-8625, Type II.	Aluminum Alloy	-65 to +175 °C	
<b>N</b>	Electroless nickel - In accordance with AMS-C-26074 or AMS 2404.		-65 to +200 °C	Not for Navy use.
<b>W</b>	Cadmium - Olive drab over suitable underplate, 1000 hour salt spray.		-65 to +175 °C	Not for use in space application.
<b>X</b>	Nickel fluorocarbon polymer. Nickel with fluorocarbon polymer additives over a suitable underplate to withstand 1000 hours of salt spray testing. Color shall be non-reflective. Final finish shall be electrically conductive.		-65 to +175 °C	
<b>Y</b>	Pure dense electrodeposited aluminum in accordance with MIL-DTL-83488, Type II, to withstand 500 hours of salt spray testing. Color shall be non-reflective. Final finish shall be electrically conductive.		-65 to +175 °C	Not for use on shield termination type connector accessories.
<b>Z</b>	Zinc nickel in accordance with ASTM B841 over suitable underplate to withstand 1000 hours of salt spray testing. Color shall be black, conductive, and non-reflective. Final finish shall be electrically conductive.		-65 to +175 °C	

# SHRINK BOOT ADAPTER

## B049AF60-2G

For **SC30, SC50 & SC70** Series (AS50151 Crimp & MIL-DTL-26482 Series 2)  
 For Use with M85049/68-1 or MS3109 Shrink Boots  
 For Use with M85049/68-2 or MS3117 Shrink Boots

### ORDERING INFORMATION



**TABLE I**

DASH NO.	CONNECTOR SHELL SIZE		ØA +.000 -.045 [+.000] [-1.14]	C THREAD CLASS 2B	ØF +.000 -.020 [+.000] [-0.51]	R MAX
	MIL-DTL-26482 SERIES 2	AS50151 CRIMP				
08	8	8S	.688 [17.48]	.500-20 UNF	.657 [16.69]	.540 [13.72]
10	10	10S, 10SL	.803 [20.40]	.625-24 UNEF	.774 [19.66]	.540 [13.72]
12	12	12, 12S	.938 [23.83]	.750-20 UNEF	.898 [22.81]	.540 [13.72]
14	14	14, 14S	1.063 [27.00]	.875-20 UNEF	1.024 [26.01]	.540 [13.72]
16	16	16, 16S	1.238 [31.45]	1.000-20 UNEF	1.152 [29.26]	.540 [13.72]
18	18	18	1.310 [33.27]	1.062-18 UNEF	1.243 [31.57]	.540 [13.72]
20	20	20	1.436 [36.47]	1.188-18 UNEF	1.370 [34.80]	.540 [13.72]
22	22	22	1.560 [39.62]	1.312-18 UNEF	1.443 [36.65]	.540 [13.72]
24	24	24	1.686 [42.82]	1.438-18 UNEF	1.618 [41.10]	.540 [13.72]
28	-	28	2.062 [52.37]	1.750-18 UNS	1.969 [50.01]	.702 [17.83]
32	-	32	2.312 [58.72]	2.000-18 UNS	2.219 [56.36]	.702 [17.83]
36	-	36	2.562 [65.07]	2.250-16 UN	2.469 [62.71]	.702 [17.83]
40	-	40	2.812 [71.42]	2.500-16 UN	2.719 [69.06]	.702 [17.83]
44	-	44	3.062 [77.77]	2.750-16 UN	2.969 [75.41]	.702 [17.83]
48	-	48	3.312 [84.12]	3.000-16 UN	3.219 [81.76]	.702 [17.83]

Dimensions in brackets [ ] are in millimeters.

**TABLE II - AVAILABLE FINISHES**

CODE	DESCRIPTION	MATERIAL	TEMP. RANGE	EXCLUSIONS
A	Black anodize - In accordance with Class 2 of AMS-A-8625, Type II.	Aluminum Alloy	-65 to +175 °C	
N	Electroless nickel - In accordance with AMS-C-26074 or AMS 2404.		-65 to +200 °C	Not for Navy use.
W	Cadmium - Olive drab over suitable underplate, 1000 hour salt spray.		-65 to +175 °C	Not for use in space application.
X	Nickel fluorocarbon polymer. Nickel with fluorocarbon polymer additives over a suitable underplate to withstand 1000 hours of salt spray testing. Color shall be non-reflective. Final finish shall be electrically conductive.		-65 to +175 °C	
Y	Pure dense electrodeposited aluminum in accordance with MIL-DTL-83488, Type II, to withstand 500 hours of salt spray testing. Color shall be non-reflective. Final finish shall be electrically conductive.		-65 to +175 °C	Not for use on shield termination type connector accessories.
Z	Zinc nickel in accordance with ASTM B841 over suitable underplate to withstand 1000 hours of salt spray testing. Color shall be black, conductive, and non-reflective. Final finish shall be electrically conductive.		-65 to +175 °C	

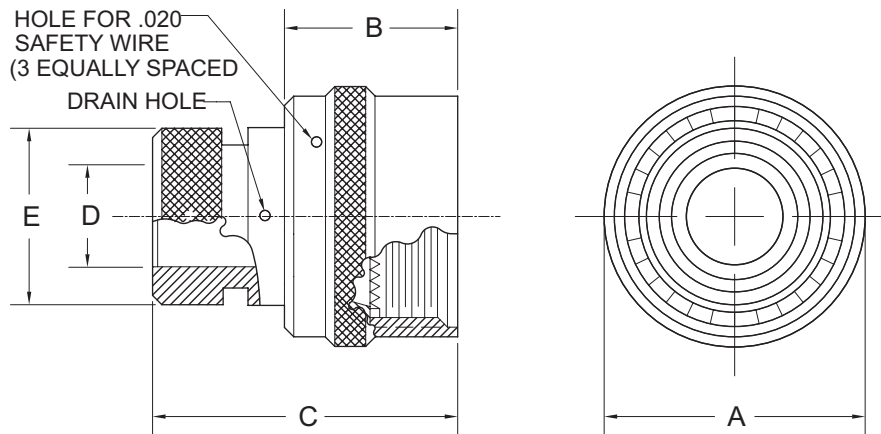
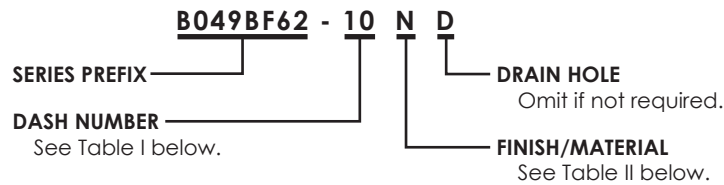


# SHRINK BOOT ADAPTER

## B049BF62

For **SC1\*** & **SC2\*** Series (MIL-DTL-38999 Series I & II) For Use with M85049/68 Shrink Boots

### ORDERING INFORMATION



**TABLE I**

DASH NO.	CONNECTOR SHELL SIZE		ØA MAX	B MAX	C MAX.	D MIN	ØE MAX
	SERIES I	SERIES II					
08	9	8	.750 [19.05]	.54 [13.72]	1.000 [25.40]	.250 [6.35]	.533 [13.54]
10	11	10	.850 [21.59]	.54 [13.72]	1.000 [25.40]	.375 [9.52]	.606 [15.39]
12	13	12	1.000 [25.40]	.54 [13.72]	1.000 [25.40]	.500 [12.70]	.774 [19.66]
14	15	14	1.100 [27.94]	.54 [13.72]	1.000 [25.40]	.625 [15.87]	.838 [21.29]
16	17	16	1.250 [31.75]	.54 [13.72]	1.000 [25.40]	.750 [19.05]	.963 [24.46]
18	19	18	1.450 [36.83]	.54 [13.72]	1.000 [25.40]	.812 [20.62]	1.042 [26.47]
20	21	20	1.500 [38.10]	.54 [13.72]	1.000 [25.40]	.937 [23.80]	1.217 [30.91]
22	23	22	1.650 [41.91]	.54 [13.72]	1.000 [25.40]	1.062 [26.97]	1.355 [34.42]
24	25	24	1.750 [44.45]	.54 [13.72]	1.000 [25.40]	1.188 [30.18]	1.443 [36.65]

Dimensions in brackets [ ] are in millimeters.

**TABLE II - AVAILABLE FINISHES**

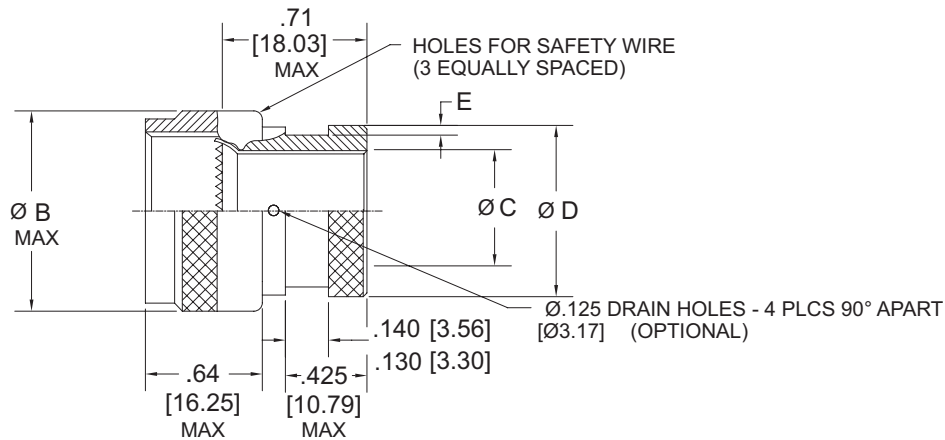
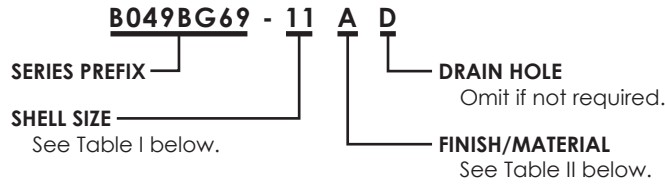
CODE	DESCRIPTION	MATERIAL	TEMP. RANGE	EXCLUSIONS
<b>A</b>	Black anodize - In accordance with Class 2 of AMS-A-8625, Type II.	Aluminum Alloy	-65 to +175 °C	
<b>N</b>	Electroless nickel - In accordance with AMS-C-26074 or AMS 2404.		-65 to +200 °C	Not for Navy use.
<b>W</b>	Cadmium - Olive drab over suitable underplate, 1000 hour salt spray.		-65 to +175 °C	Not for use in space application.
<b>X</b>	Nickel fluorocarbon polymer. Nickel with fluorocarbon polymer additives over a suitable underplate to withstand 1000 hours of salt spray testing. Color shall be non-reflective. Final finish shall be electrically conductive.		-65 to +175 °C	
<b>Y</b>	Pure dense electrodeposited aluminum in accordance with MIL-DTL-83488, Type II, to withstand 500 hours of salt spray testing. Color shall be non-reflective. Final finish shall be electrically conductive.		-65 to +175 °C	Not for use on shield termination type connector accessories.
<b>Z</b>	Zinc nickel in accordance with ASTM B841 over suitable underplate to withstand 1000 hours of salt spray testing. Color shall be black, conductive, and non-reflective. Final finish shall be electrically conductive.		-65 to +175 °C	

# SHRINK BOOT ADAPTER

B049BG69

For **SC3\*** Series (MIL-DTL-38999 Series III)

## ORDERING INFORMATION



**TABLE I**

SHELL SIZE	ØB MAX.	ØC MIN.	ØD MAX.	E +.008 -.000 [+0.20] [-0.00]
9	.75 [19.05]	.250 [6.35]	.533 [13.54]	.044 [1.12]
11	.85 [21.59]	.375 [9.52]	.605 [15.37]	.044 [1.12]
13	1.00 [25.40]	.500 [12.70]	.774 [19.66]	.044 [1.12]
15	1.10 [27.94]	.625 [15.87]	.838 [21.29]	.044 [1.12]
17	1.25 [31.75]	.750 [19.05]	.963 [24.46]	.044 [1.12]
19	1.40 [35.56]	.812 [20.62]	1.042 [26.47]	.044 [1.12]
21	1.50 [38.10]	.937 [23.80]	1.217 [30.91]	.069 [1.75]
23	1.65 [41.91]	1.062 [26.97]	1.355 [34.42]	.069 [1.75]
25	1.75 [44.45]	1.188 [30.18]	1.443 [36.65]	.069 [1.75]

Dimensions in brackets [ ] are in millimeters.

**TABLE II - AVAILABLE FINISHES**

CODE	DESCRIPTION	MATERIAL	TEMP. RANGE	EXCLUSIONS
<b>A</b>	Black anodize - In accordance with Class 2 of AMS-A-8625, Type II.	Aluminum Alloy	-65 to +175 °C	
<b>N</b>	Electroless nickel - In accordance with AMS-C-26074 or AMS 2404.		-65 to +200 °C	Not for Navy use.
<b>W</b>	Cadmium - Olive drab over suitable underplate, 1000 hour salt spray.		-65 to +175 °C	Not for use in space application.
<b>X</b>	Nickel fluorocarbon polymer. Nickel with fluorocarbon polymer additives over a suitable underplate to withstand 1000 hours of salt spray testing. Color shall be non-reflective. Final finish shall be electrically conductive.		-65 to +175 °C	
<b>Y</b>	Pure dense electrodeposited aluminum in accordance with MIL-DTL-83488, Type II, to withstand 500 hours of salt spray testing. Color shall be non-reflective. Final finish shall be electrically conductive.		-65 to +175 °C	Not for use on shield termination type connector accessories.
<b>Z</b>	Zinc nickel in accordance with ASTM B841 over suitable underplate to withstand 1000 hours of salt spray testing. Color shall be black, conductive, and non-reflective. Final finish shall be electrically conductive.		-65 to +175 °C	





# SECTION 11D

## BACKSHELLS

### STRAIN RELIEFS/CABLE CLAMPS

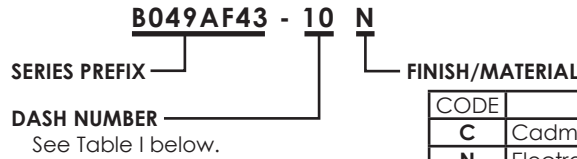


# 45° STRAIN RELIEF NON-LOCKING

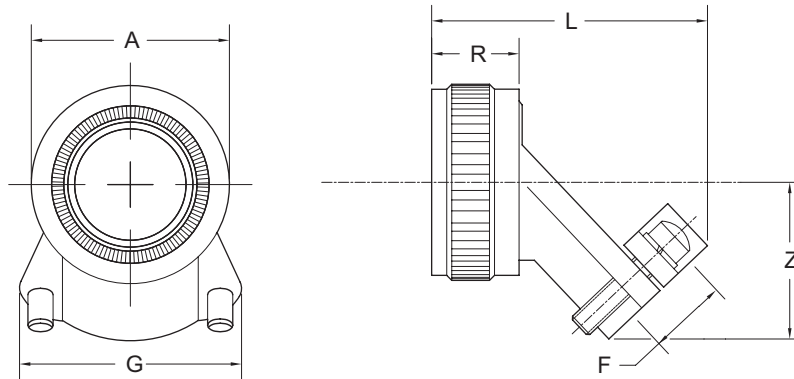
## B049AF43

For **SC30, SC50 & SC70** Series (AS50151 Crimp & MIL-DTL-26482 Series 2)

### ORDERING INFORMATION



CODE	FINISH	MATERIAL
C	Cadmium, olive drab	Aluminum Alloy
N	Electroless nickel	
W	Cadmium, olive drab suitable underplate 1000 hr. salt spray	



**TABLE I**

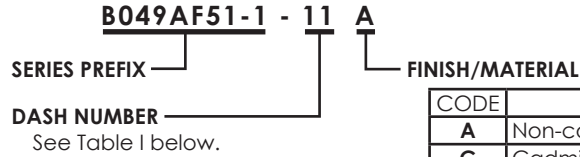
DASH NO.	FOR CONN. SHELL, SIZE (REF)		ØA +.000 -.045 [+0.00] [-1.14]	F WIRE BUNDLE RANGE [DIA.]		G ±.020 [±0.51]	L MAX CLOSED	R +.000 -.062 [+0.00] [-1-57]	Z MAX
	MIL-DTL-26482 SERIES 2	AS50151 CRIMP		MAX	MIN				
	8	8		8S	.617 [15.67]				
10	10	10S & 10SL	.734 [18.64]	.286 [7.26]	.187 [4.75]	.812 [20.62]	1.534 [38.96]	.540 [13.72]	.803 [20.40]
12	12	12S & 12	.858 [21.79]	.416 [10.57]	.291 [7.39]	.968 [24.59]	1.608 [40.84]	.540 [13.72]	.866 [22.00]
14	14	14S & 14	.984 [24.99]	.476 [12.09]	.351 [8.92]	1.026 [26.06]	1.650 [41.91]	.540 [13.72]	.928 [23.57]
16	16	16S & 16	1.112 [28.24]	.625 [15.87]	.501 [12.73]	1.299 [32.99]	1.756 [44.60]	.540 [13.72]	.991 [25.17]
18	18	18	1.218 [30.94]	.706 [17.93]	.518 [13.16]	1.431 [36.35]	1.874 [47.60]	.540 [13.72]	1.110 [28.19]
20	20	20	1.345 [34.16]	.831 [21.11]	.581 [14.76]	1.537 [39.04]	1.918 [48.72]	.540 [13.72]	1.172 [29.77]
22	22	22	1.468 [37.29]	.956 [24.28]	.644 [16.36]	1.633 [41.48]	1.962 [49.83]	.540 [13.72]	1.235 [31.37]
24	24	24	1.593 [40.46]	1.081 [27.46]	.706 [17.93]	1.755 [44.58]	2.006 [50.95]	.540 [13.72]	1.297 [32.94]
28	-	28	1.969 [50.01]	1.187 [30.15]	.750 [19.05]	2.000 [50.80]	2.301 [58.45]	.702 [17.83]	1.543 [39.19]
32	-	32	2.219 [56.36]	1.250 [31.75]	.875 [22.22]	2.366 [60.10]	2.389 [60.68]	.702 [17.83]	1.668 [42.37]
36	-	36	2.469 [62.71]	1.375 [34.92]	.938 [23.83]	2.476 [62.89]	2.433 [61.80]	.702 [17.83]	1.793 [45.54]
40	-	40	2.719 [69.06]	1.500 [38.10]	.938 [23.83]	2.546 [64.67]	2.434 [61.82]	.702 [17.83]	1.918 [48.72]
44	-	44	2.969 [75.41]	1.750 [44.45]	1.188 [30.18]	2.840 [72.14]	2.700 [68.58]	.702 [17.83]	2.132 [54.15]
48	-	48	3.219 [81.76]	1.875 [47.62]	1.312 [33.32]	3.324 [84.43]	2.788 [70.82]	.702 [17.83]	2.257 [57.33]

1. Dimensions in brackets [ ] are in millimeters.  
2. MS3415 Superseded by M85049/43



For **SC30, SC50 & SC70** Series (AS50151 Crimp & MIL-DTL-26482 Series 2)

### ORDERING INFORMATION



CODE	FINISH	MATERIAL
<b>A</b>	Non-conductive, black anodize	Aluminum Alloy
<b>C</b>	Cadmium, olive drab	
<b>N</b>	Electroless nickel	
<b>W</b>	Cadmium, olive drab suitable underplate 1000 hr. salt spray	

For Self-Locking Version,  
See Following Page

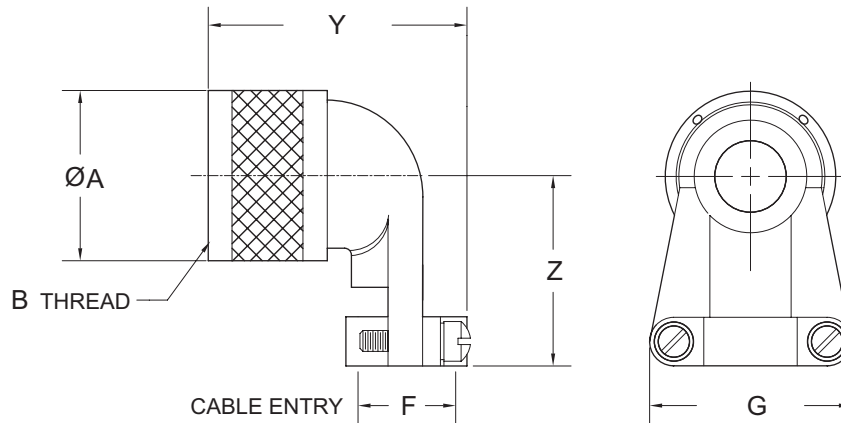


TABLE I

DASH NO.	FOR CONNECTOR SHELL SIZE (REF)		ØA MAX	B THREAD CLASS 2B	F WIRE BUNDLE RANGE [DIA.]		G ±.020 [±0.51]	Y MAX	Z ±.062 [±1.57]
	MIL-DTL-26482 SERIES 2	AS50151 CRIMP			MAX	MIN			
8	8	8S	.617 [15.67]	.500-20 UNEF	.204 [5.18]	.125 [3.17]	.732 [18.59]	1.101 [27.97]	.746 [18.95]
10	10	10S & 10SL	.734 [18.64]	.625-24 UNEF	.286 [7.26]	.187 [4.75]	.812 [20.62]	1.183 [30.05]	.805 [20.45]
12	12	12S & 12	.858 [21.79]	.750-20 UNEF	.416 [10.57]	.291 [7.39]	.968 [24.59]	1.376 [34.95]	.867 [22.02]
14	14	14S & 14	.984 [24.99]	.875-20 UNEF	.476 [12.09]	.351 [8.92]	1.026 [26.06]	1.436 [36.47]	.930 [23.62]
16	16	16S & 16	1.112 [28.24]	1.000-20 UNEF	.625 [15.87]	.501 [12.73]	1.299 [32.99]	1.585 [40.26]	.994 [25.25]
18	18	18	1.218 [30.94]	1.062-18 UNEF	.706 [17.93]	.518 [13.16]	1.431 [36.35]	1.697 [43.10]	1.171 [29.74]
20	20	20	1.345 [34.16]	1.188-18 UNEF	.831 [21.11]	.581 [14.76]	1.537 [39.04]	1.822 [46.28]	1.234 [31.34]
22	22	22	1.468 [37.29]	1.312-18 UNEF	.956 [24.28]	.644 [16.36]	1.633 [41.48]	1.947 [49.45]	1.296 [32.92]
24	24	24	1.593 [40.46]	1.438-18 UNEF	1.081 [27.46]	.706 [17.93]	1.755 [44.58]	2.072 [52.63]	1.358 [34.49]
28	-	28	1.969 [50.01]	1.750-18 UNS	1.187 [30.15]	.750 [19.05]	2.000 [50.80]	2.372 [60.25]	1.572 [39.93]
32	-	32	2.219 [56.36]	2.000-18 UNS	1.250 [31.75]	.875 [22.22]	2.366 [60.10]	2.435 [61.85]	1.797 [45.64]
36	-	36	2.469 [62.71]	2.250-16 UN	1.375 [34.92]	.938 [23.83]	2.476 [62.89]	2.560 [65.02]	1.922 [48.82]
40	-	40	2.719 [69.06]	2.500-16 UN	1.500 [38.10]	.938 [23.83]	2.546 [64.67]	2.685 [68.20]	2.047 [51.99]
44	-	44	2.969 [75.41]	2.750-16 UN	1.7570 [44.63]	1.188 [30.18]	2.840 [72.14]	2.935 [74.55]	2.296 [58.32]
48	-	48	3.219 [81.76]	3.000-16 UN	1.875 [47.62]	1.312 [33.32]	3.324 [84.43]	3.060 [77.72]	2.421 [61.49]

Dimensions in brackets [ ] are in millimeters.

# 90° STRAIN RELIEF SELF-LOCKING

## B049AF51S

For **SC30, SC50 & SC70** Series (AS50151 Crimp & MIL-DTL-26482 Series 2)

### ORDERING INFORMATION

**B049AF51 S 11 A**

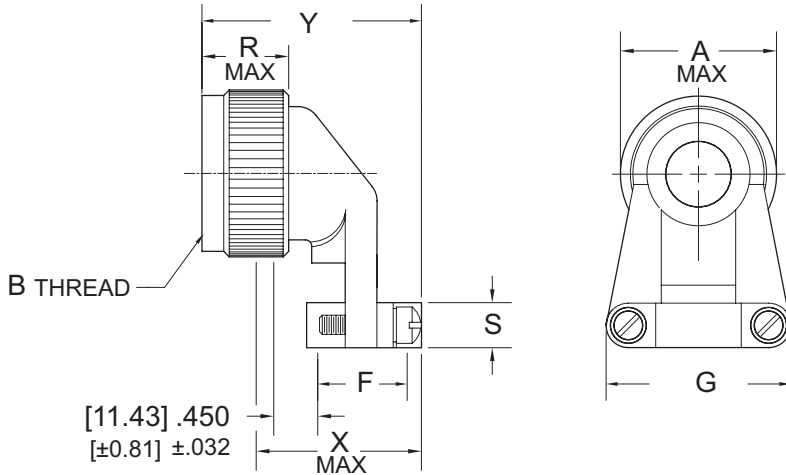
SERIES PREFIX

CONFIGURATION  
S Self-locking coupling.

DASH NUMBER  
See Table I below.

FINISH/MATERIAL

CODE	FINISH	MATERIAL
A	Non-conductive, black anodize	Aluminum Alloy
N	Electroless nickel	Alloy
S	Passivated	Stainless Steel
W	Cadmium, olive drab suitable underplate 1000 hr. salt spray	Aluminum Alloy



For Non-Locking Version,  
See Previous Page

TABLE I

DASH NO.	FOR CONN. SHELL SIZE (REF)		ØA MAX	B THREAD CLASS 2B	F WIRE BUNDLE RANGE [DIA.]		G ±.020 [±0.51]	R MAX	S ±.020 [±0.51]	X MAX	Y MAX
	MIL-DTL-26482 SERIES 2	AS50151 CRIMP			MIN	MAX					
	8	8			8S	.885 [22.48]					
10	10	10S, 10SL	1.010 [25.65]	.625-24 UNEF	.286 [7.26]	.187 [4.75]	.812 [20.62]	.710 [18.03]	.250 [6.35]	1.02 [25.91]	1.339 [34.01]
12	12	12S, 12	1.135 [28.83]	.750-20 UNEF	.416 [10.57]	.291 [7.39]	.968 [24.59]	.710 [18.03]	.250 [6.35]	1.21 [30.73]	1.582 [40.18]
14	14	14S, 14	1.260 [32.00]	1.000-20 UNEF	.476 [12.09]	.351 [8.92]	1.026 [26.06]	.710 [18.03]	.50 [12.70]	1.27 [32.26]	1.592 [40.44]
16	16	16S, 16	1.385 [35.18]	1.062-18 UNEF	.625 [15.87]	.501 [12.73]	1.299 [32.99]	.710 [18.03]	.250 [6.35]	1.42 [36.07]	1.741 [44.22]
18	18	18	1.510 [38.35]	1.188-18 UNEF	.706 [17.93]	.518 [13.16]	1.431 [36.35]	.710 [18.03]	.375 [9.52]	1.53 [38.86]	1.853 [47.07]
20	20	20	1.635 [41.53]	1.438-18 UNEF	.831 [21.11]	.581 [14.76]	1.537 [39.04]	.710 [18.03]	.375 [9.52]	1.65 [41.91]	1.978 [50.24]
22	22	22	1.760 [44.70]	1.750-18 UNS	.956 [24.28]	.644 [16.36]	1.633 [41.48]	.710 [18.03]	.375 [9.52]	1.78 [45.21]	2.108 [53.54]
24	24	24	1.885 [47.88]	2.000-18 UNS	1.081 [27.46]	.706 [17.93]	1.755 [44.45]	.710 [18.03]	.375 [9.52]	1.90 [48.26]	2.228 [56.59]
28	-	28	2.135 [54.23]	2.250-16 UN	1.187 [30.15]	.750 [19.05]	2.000 [50.80]	.890 [22.61]	.500 [12.70]	2.20 [55.88]	2.528 [64.21]
32	-	32	2.395 [60.83]	2.500-16 UN	1.250 [31.75]	.875 [22.22]	2.366 [60.10]	.890 [22.61]	.500 [12.70]	2.27 [57.66]	2.591 [65.81]
36	-	36	2.635 [66.93]	2.250-16 UN	1.375 [34.92]	.938 [23.83]	2.476 [62.89]	.890 [22.61]	.500 [12.70]	2.39 [60.71]	2.716 [68.99]
40	-	40	2.885 [73.28]	2.500-16 UN	1.500 [38.10]	.938 [23.83]	2.546 [64.67]	.890 [22.61]	.500 [12.70]	2.52 [64.01]	2.814 [71.48]
44	-	44	3.135 [79.63]	2.750-16 UN	1.750 [44.45]	1.188 [30.18]	2.840 [72.14]	.890 [22.61]	.625 [15.87]	2.77 [70.36]	3.091 [78.51]
48	-	48	3.385 [85.98]	3.000-16 UN	1.875 [47.62]	1.312 [33.32]	3.324 [84.43]	.890 [22.61]	.625 [15.87]	2.89 [73.41]	3.216 [81.69]

Dimensions in brackets [ ] are in millimeters.



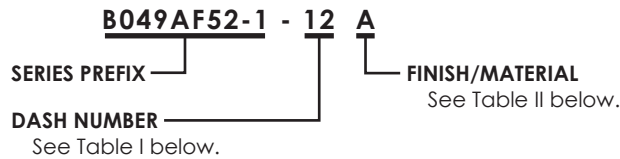
# NON-LOCKING STRAIGHT STRAIN RELIEF

B049AF52-1

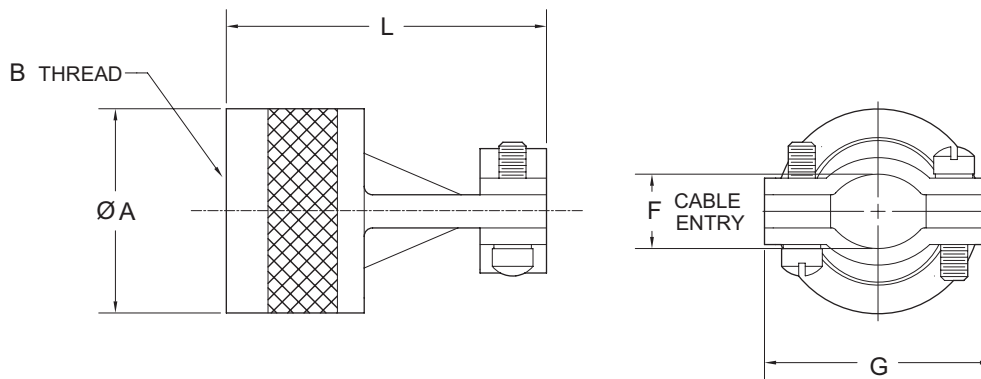
For **SC30, SC50 & SC70** Series (AS50151 Crimp & MIL-DTL-26482 Series 2)

11D

## ORDERING INFORMATION



For Self-Locking Version,  
See Following Page



**TABLE I**

DASH NO.	FOR CONNECTOR SHELL SIZE (REF)		ØA MAX	B THREAD CLASS 2B	F WIRE BUNDLE RANGE [DIA.]		G ±.020 [±0.51]	L ±.062 [±1.57]
	MIL-DTL-26482 SERIES 2	AS50151 CRIMP			MAX	MIN		
	8	8			8S	.617 [15.67]		
10	10	10S & 10SL	.734 [18.64]	.625-24 UNEF	.286 [7.26]	.187 [4.75]	.812 [20.62]	1.000 [25.40]
12	12	12S & 12	.858 [21.79]	.750-20 UNEF	.416 [10.57]	.291 [7.39]	.968 [24.59]	1.125 [28.57]
14	14	14S & 14	.984 [24.99]	.875-20 UNEF	.476 [12.09]	.351 [8.92]	1.026 [26.06]	1.125 [28.57]
16	16	16S & 16	1.112 [28.24]	1.000-20 UNEF	.625 [15.90]	.501 [12.73]	1.299 [32.99]	1.250 [31.75]
18	18	18	1.218 [30.94]	1.062-18 UNEF	.706 [17.93]	.518 [13.16]	1.431 [36.35]	1.500 [38.10]
20	20	20	1.345 [34.16]	1.188-18 UNEF	.831 [21.11]	.581 [14.76]	1.537 [39.04]	1.625 [41.27]
22	22	22	1.468 [37.29]	1.312-18 UNEF	.956 [24.28]	.644 [16.36]	1.633 [41.48]	1.750 [44.45]
24	24	24	1.593 [40.46]	1.438-18 UNEF	1.081 [27.46]	.706 [17.93]	1.755 [44.58]	1.875 [47.62]
28	-	28	1.969 [50.01]	1.750-18UNS	1.187 [30.15]	.750 [19.05]	2.000 [50.80]	2.187 [55.55]
32	-	32	2.219 [56.36]	2.000-18 UNS	1.250 [31.75]	.875 [22.22]	2.366 [60.10]	2.375 [60.32]
36	-	36	2.469 [62.71]	2.250-16 UN	1.375 [34.92]	.938 [23.83]	2.476 [62.89]	2.750 [69.85]
40	-	40	2.719 [69.06]	2.500-16 UN	1.500 [38.10]	.938 [23.83]	2.546 [64.67]	2.938 [74.63]
44	-	44	2.969 [75.41]	2.750-16 UN	1.750 [44.45]	1.188 [30.18]	2.840 [72.14]	3.312 [84.12]
48	-	48	3.219 [81.76]	3.000-16 UN	1.875 [47.62]	1.312 [33.32]	3.324 [84.43]	3.687 [93.65]

1. Dimensions in Brackets [ ] are in millimeters.  
 2. MS3417 Superseded by M85049/52-1.

**TABLE II - AVAILABLE FINISHES**

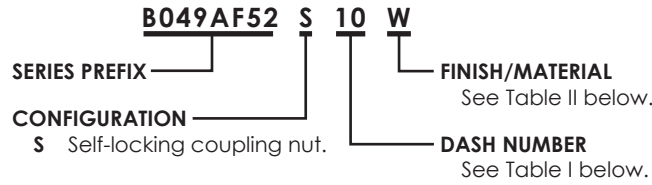
CODE	DESCRIPTION	MATERIAL	TEMP. RANGE	EXCLUSIONS
<b>A</b>	Black anodize - In accordance with Class 2 of AMS-A-8625, Type II.	Aluminum Alloy	-65 to +175 °C	
<b>N</b>	Electroless nickel - In accordance with AMS-C-26074 or AMS 2404.		-65 to +200 °C	Not for Navy use.
<b>W</b>	Cadmium - Olive drab over suitable underplate, 1000 hour salt spray.		-65 to +175 °C	Not for use in space application.
<b>S</b>	Passivate - In accordance with AMS-QQ-P-35, AMS 2700, or ASTM A 967.	Stainless Steel	-65 to +200 °C	

# STRAIGHT STRAIN RELIEF SELF-LOCKING

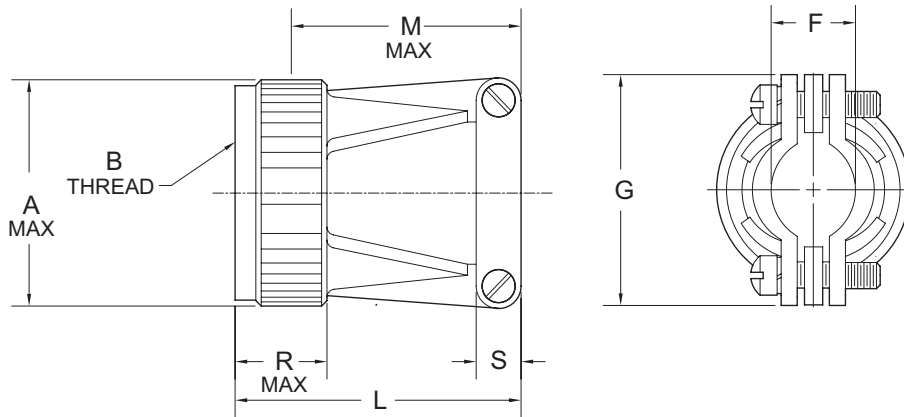
## B049AF52S

For **SC30, SC50 & SC70** Series (AS50151 Crimp & MIL-DTL-26482 Series 2)

### ORDERING INFORMATION



For Non-Self-Locking Version,  
See Previous Page



**TABLE I**

DASH NO.	FOR CONN. SHELL SIZE (REF)		ØA MAX	B THREAD CLASS 2B	F WIRE BUNDLE RANGE [DIA.]		G ±.020 [±0.51]	L MAX	M MAX	R MAX	S ±.020 [±0.51]
	MIL-DTL-26482 SERIES 2	AS50151 CRIMP			MAX	MIN					
8	8	8S	.885 [22.48]	.500-20 UNF	.204 [5.18]	.125 [3.17]	.732 [18.59]	1.04 [26.42]	.73 [18.54]	.710 [18.03]	.250 [6.35]
10	10	10S, 10SL	1.010 [25.65]	.625-24 UNEF	.286 [7.26]	.187 [4.75]	.812 [20.62]	1.16 [29.46]	.85 [21.59]	.710 [18.03]	.250 [6.35]
12	12	12S, 12	1.135 [28.83]	.750-20 UNEF	.416 [10.57]	.291 [7.39]	.968 [24.59]	1.29 [32.77]	.98 [24.89]	.710 [18.03]	.250 [6.35]
14	14	14S, 14	1.260 [32.00]	.875-20 UNEF	.476 [12.09]	.351 [8.92]	1.026 [26.06]	1.29 [32.77]	.98 [24.89]	.710 [18.03]	.250 [6.35]
16	16	16S, 16	1.385 [35.18]	1.000-20 UNEF	.625 [15.87]	.501 [12.73]	1.299 [32.99]	1.41 [35.81]	1.10 [27.94]	.710 [18.03]	.250 [6.35]
18	18	18	1.510 [38.35]	1.062-18 UNEF	.706 [17.93]	.518 [13.16]	1.431 [36.35]	1.66 [42.16]	1.35 [34.29]	.710 [18.03]	.375 [9.52]
20	20	20	1.635 [41.53]	1.188-18 UNEF	.831 [21.11]	.581 [14.76]	1.537 [39.04]	1.79 [45.47]	1.48 [37.59]	.710 [18.03]	.375 [9.52]
22	22	22	1.760 [44.70]	1.312-18 UNEF	.956 [24.28]	.644 [16.36]	1.633 [41.48]	1.91 [48.51]	1.60 [40.64]	.710 [18.03]	.375 [9.52]
24	24	24	1.885 [47.88]	1.438-18 UNEF	1.081 [27.46]	.706 [17.93]	1.755 [44.58]	2.04 [51.82]	1.73 [43.94]	.710 [18.03]	.375 [9.52]
28	-	28	2.135 [54.23]	1.750-18 UNS	1.187 [30.15]	.750 [19.05]	2.000 [50.80]	2.35 [59.69]	1.88 [47.75]	.890 [22.61]	.500 [12.70]
32	-	32	2.395 [60.83]	2.000-18 UNS	1.250 [31.75]	.875 [22.22]	2.366 [60.10]	2.60 [66.04]	2.13 [54.10]	.890 [22.61]	.500 [12.70]
36	-	36	2.635 [66.93]	2.250-16 UN	1.375 [34.92]	.938 [23.83]	2.476 [62.89]	2.91 [73.91]	2.44 [61.98]	.890 [22.61]	.500 [12.70]
40	-	40	2.885 [73.28]	2.500-16 UN	1.500 [38.10]	.938 [23.83]	2.546 [64.67]	3.10 [78.74]	2.63 [66.80]	.890 [22.61]	.500 [12.70]
44	-	44	3.135 [79.63]	2.750-16 UN	1.750 [44.45]	1.188 [30.18]	2.840 [72.14]	3.47 [88.14]	3.00 [76.20]	.890 [22.61]	.625 [15.87]
48	-	48	3.385 [85.98]	3.000-16 UN	1.875 [47.62]	1.312 [33.32]	3.324 [84.43]	3.87 [98.30]	3.40 [86.36]	.890 [22.61]	.625 [15.87]

Dimensions in brackets [ ] are in millimeters.

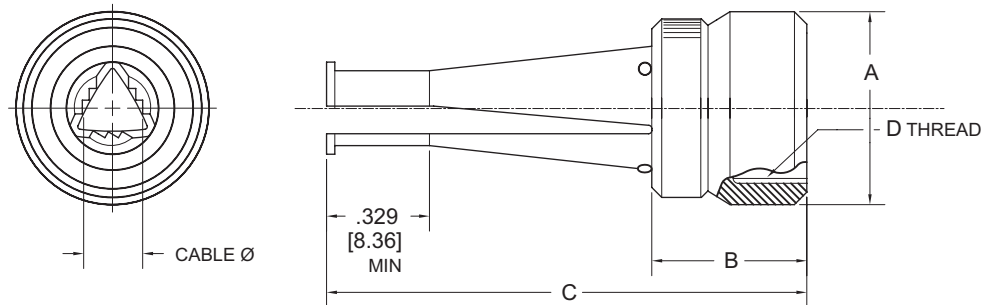
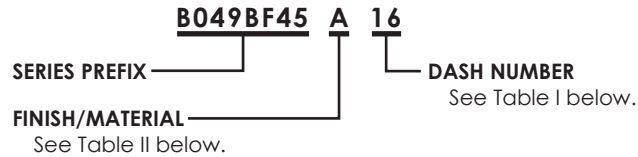
**TABLE II - AVAILABLE FINISHES**

CODE	DESCRIPTION	MATERIAL	TEMP. RANGE	EXCLUSIONS
A	Black anodize - In accordance with Class 2 of AMS-A-8625, Type II.	Aluminum Alloy	-65 to +175 °C	
N	Electroless nickel - In accordance with AMS-C-26074 or AMS 2404.		-65 to +200 °C	Not for Navy use.
W	Cadmium - Olive drab over suitable underplate, 1000 hour salt spray.		-65 to +175 °C	Not for use in space application.
S	Passivate - In accordance with AMS-QQ-P-35, AMS 2700, or ASTM A 967.	Stainless Steel	-65 to +200 °C	



FOR SC1\* & SC2\* SERIES (MIL-DTL-38999 SERIES I & II)

### ORDERING INFORMATION



**TABLE I**

DASH NO.	SHELL SIZE		A MAX	B MAX	C MAX	D THREAD CLASS 2B UNEF	CABLE DIAMETER	
	SERIES II	SERIES I					MIN.	MAX.
8	8	9	.578 [14.68]	.422 [10.72]	1.344 [34.14]	.4375-28	.094 [2.39]	.203 [5.16]
10	10	11	.703 [17.86]	.422 [10.72]	1.344 [34.14]	.5625-24	.141 [3.58]	.250 [6.35]
12	12	13	.828 [21.03]	.422 [10.72]	1.344 [34.14]	.6875-24	.172 [4.37]	.323 [8.20]
14	14	15	.953 [24.21]	.422 [10.72]	1.344 [34.14]	.8125-20	.203 [5.16]	.422 [10.72]
16	16	17	1.078 [27.38]	.422 [10.72]	1.344 [34.14]	.9375-20	.234 [5.94]	.500 [12.70]
18	18	19	1.203 [30.56]	.422 [10.72]	1.344 [34.14]	1.0625-18	.265 [6.73]	.562 [14.27]
20	20	21	1.328 [33.73]	.422 [10.72]	1.422 [36.12]	1.1875-18	.297 [7.54]	.625 [15.87]
22	22	23	1.453 [36.91]	.422 [10.72]	1.422 [36.12]	1.3125-18	.328 [8.33]	.703 [17.86]
24	24	25	1.578 [40.08]	.344 [8.74]	1.422 [36.12]	1.4375-18	.359 [9.12]	.765 [19.43]

1. Dimensions in brackets [ ] are in millimeters.  
2. MS27663\*-1 superseded by M85049/45.

**TABLE II - AVAILABLE FINISHES**

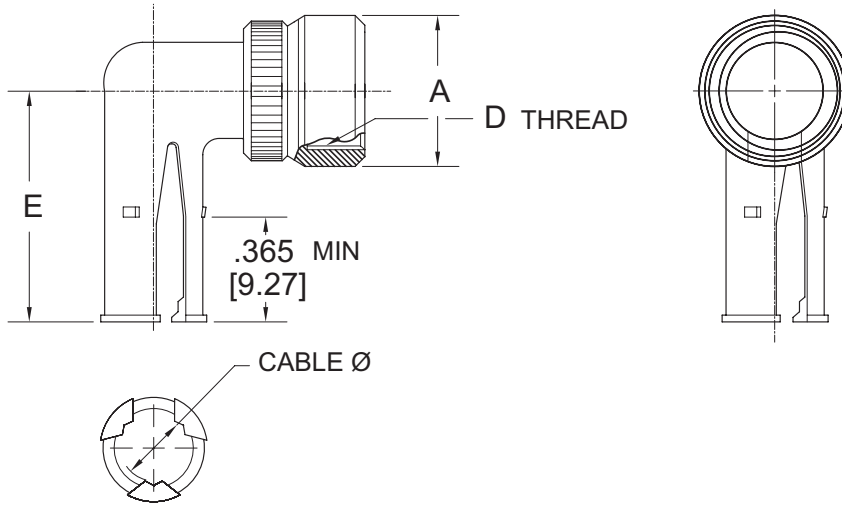
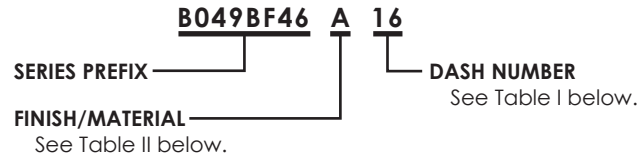
CODE	DESCRIPTION	MATERIAL	TEMP. RANGE	EXCLUSIONS
<b>A</b>	Black anodize - In accordance with Class 2 of AMS-A-8625, Type II.	Aluminum Alloy	-65 to +175 °C	
<b>W</b>	Cadmium - Olive drab over suitable underplate, 1000 hour salt spray.		-65 to +175 °C	Not for use in space application.
<b>X</b>	Nickel fluorocarbon polymer. Nickel with fluorocarbon polymer additives over a suitable underplate to withstand 1000 hours of salt spray testing. Color shall be non-reflective. Final finish shall be electrically conductive.		-65 to +175 °C	
<b>Y</b>	Pure dense electrodeposited aluminum in accordance with MIL-DTL-83488, Type II, to withstand 500 hours of salt spray testing. Color shall be non-reflective. Final finish shall be electrically conductive.		-65 to +175 °C	Not for use on shield termination type connector accessories.
<b>Z</b>	Zinc nickel in accordance with ASTM B841 over suitable underplate to withstand 1000 hours of salt spray testing. Color shall be black, conductive, and non-reflective. Final finish shall be electrically conductive.		-65 to +175 °C	

# 90° STRAIN RELIEF NON-LOCKING

## B049BF46

FOR SC1\* & SC2\* SERIES (MIL-DTL-38999 SERIES I & II)

### ORDERING INFORMATION



**TABLE I**

DASH NO.	SHELL SIZE		A MAX	D THREAD CLASS 2B UNEF	E MAX	CABLE DIAMETER	
	SERIES II	SERIES I				MIN.	MAX.
8	8	9	.578 [14.68]	.4375-28	1.015 [25.78]	.094 [2.39]	.203 [5.16]
10	10	11	.703 [17.86]	.5625-24	1.062 [26.97]	.141 [3.58]	.250 [6.35]
12	12	13	.828 [21.03]	.6875-24	1.125 [28.57]	.172 [4.37]	.323 [8.20]
14	14	15	.953 [24.21]	.8125-20	1.328 [33.73]	.203 [5.16]	.422 [10.72]
16	16	17	1.078 [27.38]	.9375-20	1.392 [35.36]	.234 [5.94]	.500 [12.70]
18	18	19	1.203 [30.56]	1.0625-18	1.453 [36.91]	.265 [6.73]	.562 [14.27]
20	20	21	1.328 [33.73]	1.1875-18	1.609 [40.87]	.297 [7.54]	.625 [15.87]
22	22	23	1.453 [36.91]	1.3125-18	1.656 [42.06]	.328 [8.33]	.703 [17.86]
24	24	25	1.578 [40.08]	1.4375-18	1.719 [43.66]	.359 [9.12]	.765 [19.43]

1. Dimensions in brackets [ ] are in millimeters.  
 2. MS27663\*-2 superseded by M85049/46.

**TABLE II - AVAILABLE FINISHES**

CODE	DESCRIPTION	MATERIAL	TEMP. RANGE	EXCLUSIONS
<b>A</b>	Black anodize - In accordance with Class 2 of AMS-A-8625, Type II.	Aluminum Alloy	-65 to +175 °C	
<b>W</b>	Cadmium - Olive drab over suitable underplate, 1000 hour salt spray.		-65 to +175 °C	Not for use in space application.
<b>X</b>	Nickel fluorocarbon polymer. Nickel with fluorocarbon polymer additives over a suitable underplate to withstand 1000 hours of salt spray testing. Color shall be non-reflective. Final finish shall be electrically conductive.		-65 to +175 °C	
<b>Y</b>	Pure dense electrodeposited aluminum in accordance with MIL-DTL-83488, Type II, to withstand 500 hours of salt spray testing. Color shall be non-reflective. Final finish shall be electrically conductive.		-65 to +175 °C	Not for use on shield termination type connector accessories.
<b>Z</b>	Zinc nickel in accordance with ASTM B841 over suitable underplate to withstand 1000 hours of salt spray testing. Color shall be black, conductive, and non-reflective. Final finish shall be electrically conductive.		-65 to +175 °C	





# SELF-LOCKING AND NON-LOCKING 90° STRAIN RELIEF

B049BF47

FOR SC1\* & SC2\* SERIES (MIL-DTL-38999 SERIES I & II)

11D

## ORDERING INFORMATION

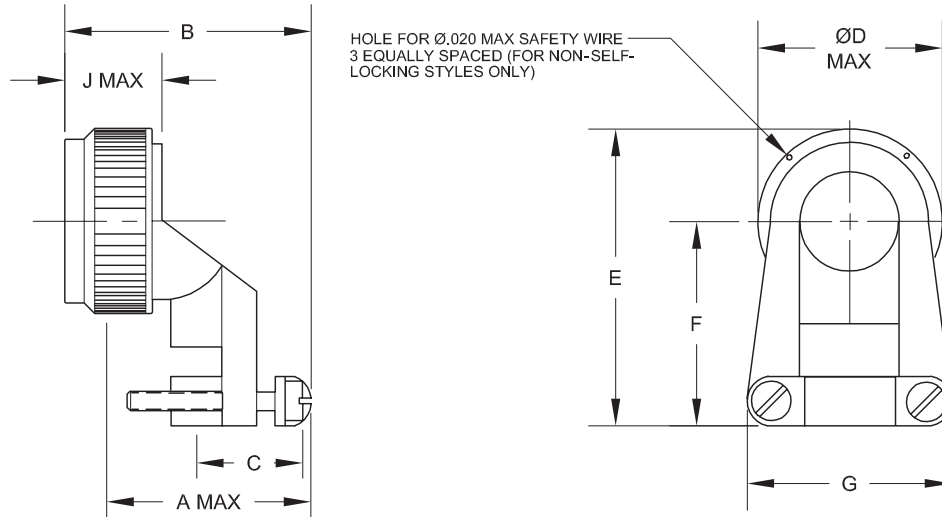
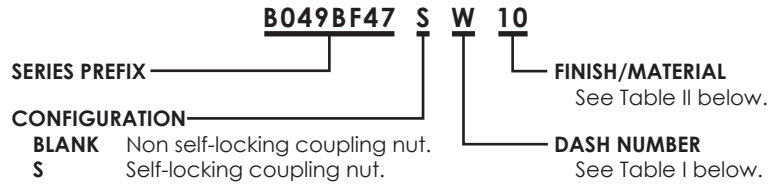


TABLE I

DASH NO.	CONNECTOR SHELL SIZE		A MAX	B MAX	C CABLE ENTRY		D MAX		E MAX	F MAX	G MAX	J MAX	
	SERIES II	SERIES I			MIN. OPEN	MAX. CLOSED	SELF-LOCK	NON-LOCK				SELF-LOCK	NON-LOCK
8	8	9	1.16 [29.46]	1.38 [35.05]	.234 [5.94]	.098 [2.49]	.86 [21.84]	.75 [19.05]	1.38 [35.05]	1.00 [25.40]	.85 [21.59]	.590 [14.99]	.540 [13.72]
10	10	11	1.16 [29.46]	1.38 [35.05]	.234 [5.94]	.153 [3.89]	.98 [24.89]	.85 [21.59]	1.53 [38.86]	1.10 [27.94]	.90 [22.86]	.590 [14.99]	.540 [13.72]
12	12	13	1.24 [31.50]	1.46 [37.08]	.238 [6.05]	.190 [4.83]	1.16 [29.46]	1.00 [25.40]	1.60 [40.64]	1.10 [27.94]	1.10 [27.94]	.590 [14.99]	.540 [13.72]
14	14	15	1.41 [35.81]	1.63 [41.40]	.457 [11.61]	.260 [6.60]	1.28 [32.51]	1.10 [27.94]	1.80 [45.72]	1.25 [31.75]	1.15 [29.21]	.590 [14.99]	.540 [13.72]
16	16	17	1.58 [40.13]	1.80 [45.72]	.634 [16.10]	.283 [7.19]	1.41 [35.81]	1.25 [31.75]	1.93 [49.02]	1.30 [33.02]	1.30 [33.02]	.590 [14.99]	.540 [13.72]
18	18	19	1.60 [40.64]	1.82 [46.23]	.614 [15.60]	.325 [8.25]	1.52 [38.61]	1.40 [35.56]	2.05 [52.07]	1.35 [34.29]	1.50 [38.10]	.590 [14.99]	.540 [13.72]
20	20	21	1.68 [42.67]	1.90 [48.26]	.698 [17.73]	.343 [8.71]	1.64 [41.66]	1.50 [38.10]	2.35 [59.69]	1.60 [40.64]	1.60 [40.64]	.590 [14.99]	.540 [13.72]
22	22	23	1.82 [46.23]	2.04 [51.82]	.823 [20.90]	.381 [9.68]	1.77 [44.96]	1.65 [41.91]	2.58 [65.53]	1.75 [44.45]	1.70 [43.18]	.590 [14.99]	.540 [13.72]
24	24	25	1.93 [49.02]	2.15 [54.61]	.853 [21.67]	.418 [10.62]	1.89 [48.01]	1.75 [44.45]	2.73 [69.34]	1.85 [46.99]	1.80 [45.72]	.590 [14.99]	.540 [13.72]

Dimensions in brackets [ ] are in millimeters.

TABLE II - AVAILABLE FINISHES

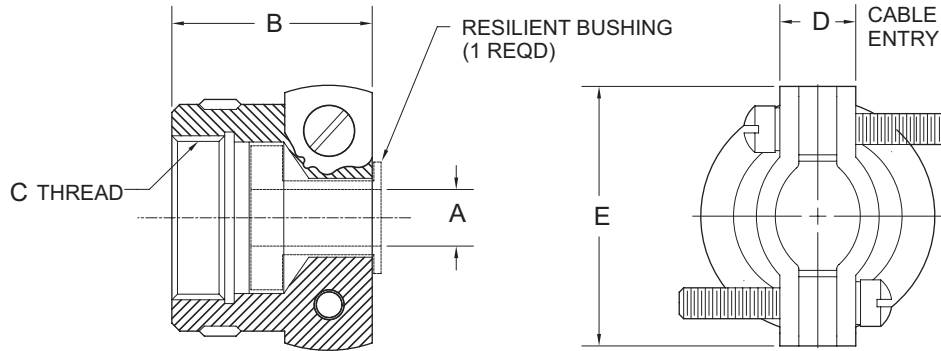
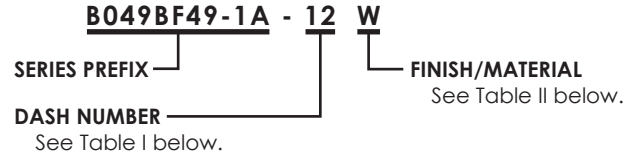
CODE	DESCRIPTION	MATERIAL	TEMP. RANGE	EXCLUSIONS
<b>N</b>	Electroless nickel - In accordance with AMS-C-26074 or AMS 2404.	Aluminum Alloy	-65 to +200 °C	Not for Navy use.
<b>W</b>	Cadmium - Olive drab over suitable underplate, 1000 hour salt spray.		-65 to +175 °C	Not for use in space application.
<b>S</b>	Passivate - In accordance with AMS-QQ-P-35, AMS 2700, or ASTM A 967.	Stainless Steel	-65 to +200 °C	

# STRAIGHT STRAIN RELIEF NON-LOCKING

B049BF49-1A

For **SC1\*** & **SC2\*** Series (MIL-DTL-27599 & MIL-DTL-38999 Series I & II)

## ORDERING INFORMATION



**TABLE I**

DASH NO.	SHELL SIZE		A +.010 -.025 [+0.25] [-0.63] FREE DIA	B	C THREAD CLASS 2B UNEF	D CABLE ENTRY		E MAX
	SERIES II	SERIES I				MIN OPEN	MAX CLOSED	
8	8	9	.125 [3.17]	.781 [19.84]	.4375-28	.234 [5.94]	.187 [4.75]	.828 [21.03]
10	10	11	.188 [4.78]		.5625-24	.297 [7.54]	.187 [4.75]	.891 [22.63]
12	12	13	.312 [7.92]		.6875-24	.422 [10.72]	.281 [7.14]	1.016 [25.81]
14	14	15	.375 [9.52]	.844 [21.44]	.8125-20	.547 [13.89]	.325 [8.25]	1.141 [28.98]
16	16	17	.500 [12.70]		.9375-20	.609 [15.47]	.356 [9.04]	1.203 [30.56]
18	18	19	.625 [15.87]		1.0625-18	.734 [18.64]	.456 [11.58]	1.469 [37.31]
20	20	21	.625 [15.87]	.906 [23.01]	1.1875-18	.734 [18.64]	.519 [13.18]	1.469 [37.31]
22	22	23	.750 [19.05]		1.3125-18	.922 [23.42]	.519 [13.18]	1.656 [42.06]
24	24	25	.800 [20.32]		1.4375-18	.964 [24.49]	.657 [16.69]	1.750 [44.45]

- Dimensions in brackets [ ] are in millimeters.
- MS27342\*-2 superseded by M85049/49-1.

**TABLE II - AVAILABLE FINISHES**

CODE	DESCRIPTION	MATERIAL	TEMP. RANGE	EXCLUSIONS
<b>A</b>	Black anodize - In accordance with Class 2 of AMS-A-8625, Type II.	Aluminum Alloy	-65 to +175 °C	
<b>N</b>	Electroless nickel - In accordance with AMS-C-26074 or AMS 2404.		-65 to +200 °C	Not for Navy use.
<b>W</b>	Cadmium - Olive drab over suitable underplate, 1000 hour salt spray.		-65 to +175 °C	Not for use in space application.
<b>S</b>	Passivate - In accordance with AMS-QQ-P-35, AMS 2700, or ASTM A 967.	Stainless Steel	-65 to +200 °C	



# NON-LOCKING STRAIGHT STRAIN RELIEF

## B049BF49-2A

For **SC1\*** & **SC2\*** Series (MIL-DTL-38999 Series I & II)

11D

### ORDERING INFORMATION

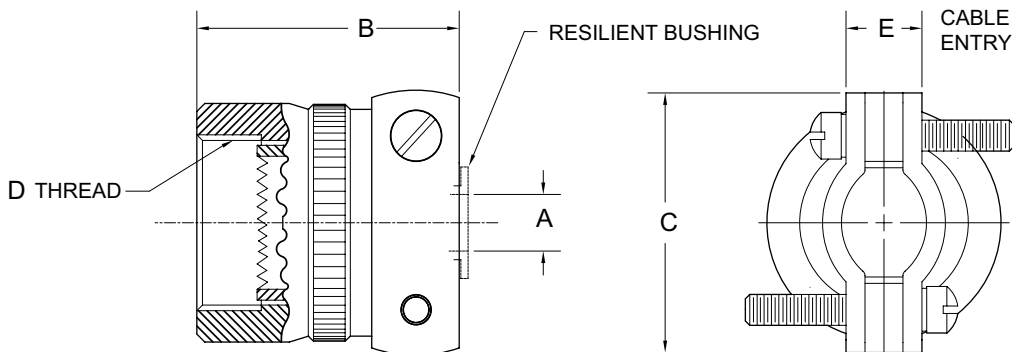
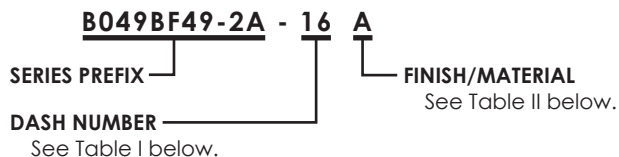


TABLE I

DASH NO.	SHELL SIZE		A +.010 -.025 [+0.25] [-0.63] FREE	B MAX	C MAX	D THREAD CLASS 2B UNEF	E CABLE ENTRY	
	SERIES II	SERIES I					MIN. OPEN	MAX. CLOSED
8	8	9	.125 [3.17]	1.078 [27.38]	.828 [21.03]	.4375-28	.234 [5.94]	.187 [4.75]
10	10	11	.188 [4.78]		.891 [22.63]	.5625-24	.297 [7.54]	.187 [4.75]
12	12	13	.312 [7.92]		1.016 [25.81]	.6875-24	.422 [10.72]	.281 [7.14]
14	14	15	.375 [9.52]	1.312 [33.32]	1.141 [28.98]	.8125-20	.547 [13.89]	.325 [8.25]
16	16	17	.500 [12.70]		1.203 [30.56]	.9375-20	.609 [15.47]	.356 [9.04]
18	18	19	.625 [15.87]		1.469 [37.31]	1.0625-18	.734 [18.64]	.456 [11.58]
20	20	21	.625 [15.87]	1.453 [36.91]	1.469 [37.31]	1.1875-18	.734 [18.64]	.519 [13.18]
22	22	23	.750 [19.05]		1.656 [42.06]	1.3125-18	.922 [23.42]	.519 [13.18]
24	24	25	.800 [20.32]		1.375 [34.92]	1.750 [44.45]	1.4375-18	.984 [24.99]

Dimensions in brackets [ ] are in millimeters.  
2. MS27506\*-2 superseded by M85049/49-2 Rev A.

TABLE II - AVAILABLE FINISHES

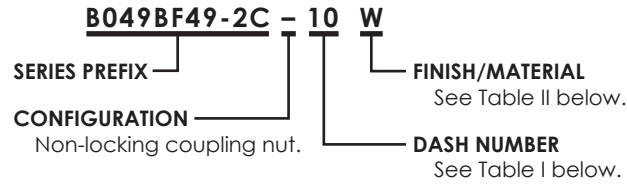
CODE	DESCRIPTION	MATERIAL	TEMP. RANGE	EXCLUSIONS
<b>A</b>	Black anodize - In accordance with Class 2 of AMS-A-8625, Type II.	Aluminum Alloy	-65 to +175 °C	
<b>N</b>	Electroless nickel - In accordance with AMS-C-26074 or AMS 2404.		-65 to +200 °C	Not for Navy use.
<b>W</b>	Cadmium - Olive drab over suitable underplate, 1000 hour salt spray.		-65 to +175 °C	Not for use in space application.
<b>S</b>	Passivate - In accordance with AMS-QQ-P-35, AMS 2700, or ASTM A 967.	Stainless Steel	-65 to +200 °C	

# STRAIGHT STRAIN RELIEF NON-LOCKING

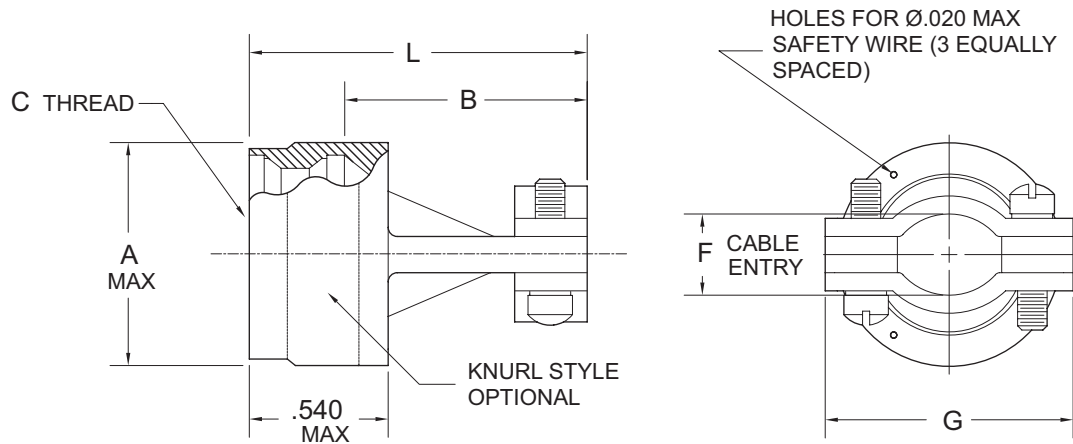
## B049BF49-2C

For **SC1\*** & **SC2\*** Series (MIL-DTL-38999 Series I & II)

### ORDERING INFORMATION



For Self-Locking Version See Next Page



**TABLE I**

DASH NO.	CONNECTOR SHELL SIZE		A MAX	B MAX	C THREAD CLASS 2B UNEF	F WIRE BUNDLE RANGE [DIA.]		G MAX	L MAX
	SERIES I	SERIES II				MIN.	MAX.		
10	11	10	.85 [21.59]	.91 [23.11]	.5625-24	.153 [3.89]	.234 [5.94]	.90 [22.86]	1.10 [27.94]
12	13	12	1.00 [25.40]	1.01 [25.65]	.6875-24	.190 [4.83]	.328 [8.33]	1.10 [27.94]	1.20 [30.48]
14	15	14	1.10 [27.94]	1.06 [26.92]	.8125-20	.260 [6.60]	.457 [11.61]	1.15 [29.21]	1.25 [31.75]
16	17	16	1.25 [31.75]	1.16 [29.46]	.9375-20	.283 [7.19]	.614 [15.60]	1.30 [33.02]	1.35 [34.29]
18	19	18	1.40 [35.56]	1.41 [35.81]	1.0625-18	.325 [8.25]	.634 [16.10]	1.50 [38.10]	1.60 [40.64]
20	21	20	1.50 [38.10]	1.51 [38.35]	1.1875-18	.343 [8.71]	.698 [17.73]	1.60 [40.64]	1.70 [43.18]
22	23	22	1.65 [41.91]	1.66 [42.16]	1.3125-18	.381 [9.68]	.823 [20.90]	1.70 [43.18]	1.85 [46.99]
24	25	24	1.75 [44.45]	1.76 [44.70]	1.4375-18	.418 [10.62]	.853 [21.67]	1.80 [45.72]	1.95 [49.53]

Dimensions in brackets [ ] are in millimeters.

**TABLE II - AVAILABLE FINISHES**

CODE	DESCRIPTION	MATERIAL	TEMP. RANGE	EXCLUSIONS
<b>A</b>	Black anodize - In accordance with Class 2 of AMS-A-8625, Type II.	Aluminum Alloy	-65 to +175 °C	
<b>N</b>	Electroless nickel - In accordance with AMS-C-26074 or AMS 2404.		-65 to +200 °C	Not for Navy use.
<b>W</b>	Cadmium - Olive drab over suitable underplate, 1000 hour salt spray.		-65 to +175 °C	Not for use in space application.
<b>S</b>	Passivate - In accordance with AMS-QQ-P-35, AMS 2700, or ASTM A 967.	Stainless Steel	-65 to +200 °C	



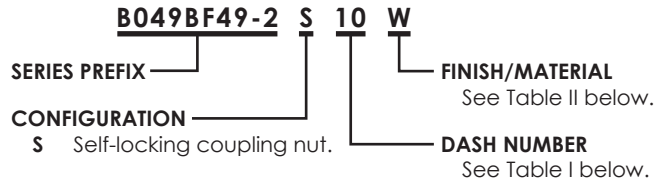
# SELF-LOCKING STRAIGHT STRAIN RELIEF

## B049BF49-2S

11D

For **SC1\*** & **SC2\*** Series (MIL-DTL-38999 Series I & II)

### ORDERING INFORMATION



For Non-Locking Version, See Previous Page

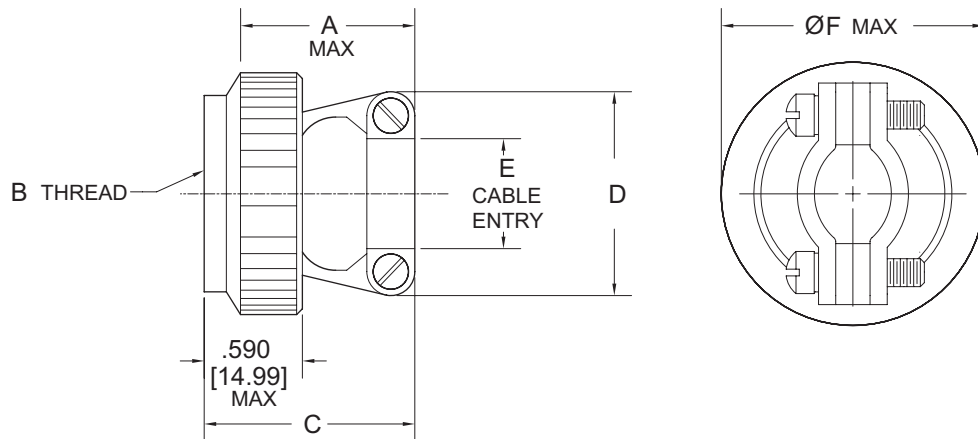


TABLE I

DASH NO.	CONNECTOR SHELL SIZE		A MAX	B THREAD CLASS 2B UNEF	C MAX	D MAX	E WIRE BUNDLE RANGE [DIA.]		ØF MAX
	SERIES I	SERIES II					MIN.	MAX.	
10	11	10	.91 [23.11]	.5625-24	1.10 [27.94]	.90 [22.86]	.153 [3.89]	.234 [5.94]	.984 [24.99]
12	13	12	1.01 [25.65]	.6875-24	1.20 [30.48]	1.10 [27.94]	.190 [4.83]	.328 [8.33]	1.156 [29.36]
14	15	14	1.06 [26.92]	.8125-20	1.25 [31.75]	1.15 [29.21]	.260 [6.60]	.457 [11.61]	1.281 [32.54]
16	17	16	1.16 [29.46]	.9375-20	1.35 [34.29]	1.30 [33.02]	.283 [7.19]	.614 [15.60]	1.406 [35.71]
18	19	18	1.41 [35.81]	1.0625-18	1.60 [40.64]	1.50 [38.10]	.325 [8.25]	.634 [16.10]	1.516 [38.51]
20	21	20	1.51 [38.35]	1.1875-18	1.70 [43.18]	1.60 [40.64]	.343 [8.71]	.698 [17.73]	1.641 [41.68]
22	23	22	1.66 [42.16]	1.3125-18	1.85 [46.99]	1.70 [43.18]	.381 [9.68]	.823 [20.90]	1.765 [44.83]
24	25	24	1.76 [44.70]	1.4375-18	1.95 [49.53]	1.80 [45.72]	.418 [10.62]	.853 [21.67]	1.891 [48.03]

Dimensions in brackets [ ] are in millimeters.

TABLE II - AVAILABLE FINISHES

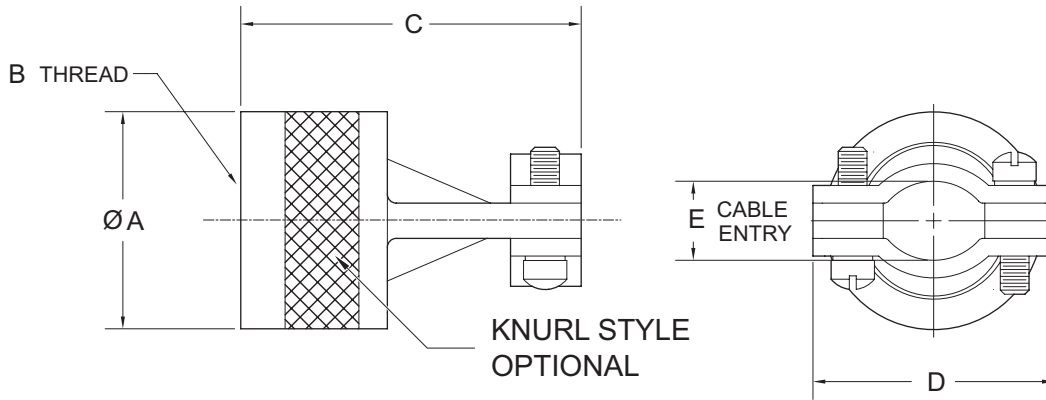
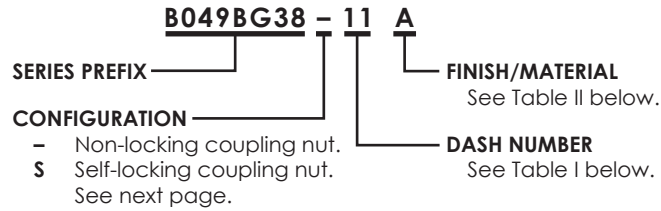
CODE	DESCRIPTION	MATERIAL	TEMP. RANGE	EXCLUSIONS
A	Black anodize - In accordance with Class 2 of AMS-A-8625, Type II.	Aluminum Alloy	-65 to +175 °C	
N	Electroless nickel - In accordance with AMS-C-26074 or AMS 2404.		-65 to +200 °C	Not for Navy use.
W	Cadmium - Olive drab over suitable underplate, 1000 hour salt spray.		-65 to +175 °C	Not for use in space application.
S	Passivate - In accordance with AMS-QQ-P-35, AMS 2700, or ASTM A 967.	Stainless Steel	-65 to +200 °C	

# STRAIGHT STRAIN RELIEF NON-LOCKING

## B049BG38

For **SC3\*** Series (MIL-DTL-38999 Series III)

### ORDERING INFORMATION



**TABLE I**

SHELL SIZE	SHELL SIZE CODE (REF)	A MAX	B THREAD METRIC R.H. CLASS 6H	C MAX	D MAX	E CABLE ENTRY	
						OPEN	CLOSED
9	A	.75 [19.05]	M12x1.0-0.100R	1.10 [27.94]	.85 [21.59]	.234 [5.94]	.098 [2.49]
11	B	.85 [21.59]	M15x1.0-0.100R	1.10 [27.94]	.90 [22.86]	.234 [5.94]	.153 [3.89]
13	C	1.00 [25.40]	M18x1.0-0.100R	1.20 [30.48]	1.10 [27.94]	.328 [8.33]	.190 [4.83]
15	D	1.10 [27.94]	M22x 1.0-0.100R	1.25 [31.75]	1.15 [29.21]	.457 [11.61]	.260 [6.60]
17	E	1.25 [31.75]	M25x 1.0-0.100R	1.35 [34.29]	1.30 [33.02]	.614 [15.60]	.283 [7.19]
19	F	1.40 [35.56]	M28x 1.0-0.100R	1.60 [40.64]	1.50 [38.10]	.634 [16.10]	.325 [8.25]
21	G	1.50 [38.10]	M31 x 1.0-0.100R	1.70 [43.18]	1.60 [40.64]	.698 [17.73]	.343 [8.71]
23	H	1.65 [41.91]	M34x 1.0-0.100R	1.85 [46.99]	1.70 [43.18]	.823 [20.90]	.381 [9.68]
25	J	1.75 [44.45]	M37x 1.0-0.100R	1.95 [49.53]	1.80 [45.72]	.853 [21.67]	.418 [10.62]

Dimensions in brackets [ ] are in millimeters.

**TABLE II - AVAILABLE FINISHES**

CODE	DESCRIPTION	MATERIAL	TEMP. RANGE	EXCLUSIONS
<b>A</b>	Black anodize - In accordance with Class 2 of AMS-A-8625, Type II.	Aluminum Alloy	-65 to +175 °C	
<b>N</b>	Electroless nickel - In accordance with AMS-C-26074 or AMS 2404.		-65 to +200 °C	Not for Navy use.
<b>W</b>	Cadmium - Olive drab over suitable underplate, 1000 hour salt spray.		-65 to +175 °C	Not for use in space application.
<b>S</b>	Passivate - In accordance with AMS-QQ-P-35, AMS 2700, or ASTM A 967.	Stainless Steel	-65 to +200 °C	



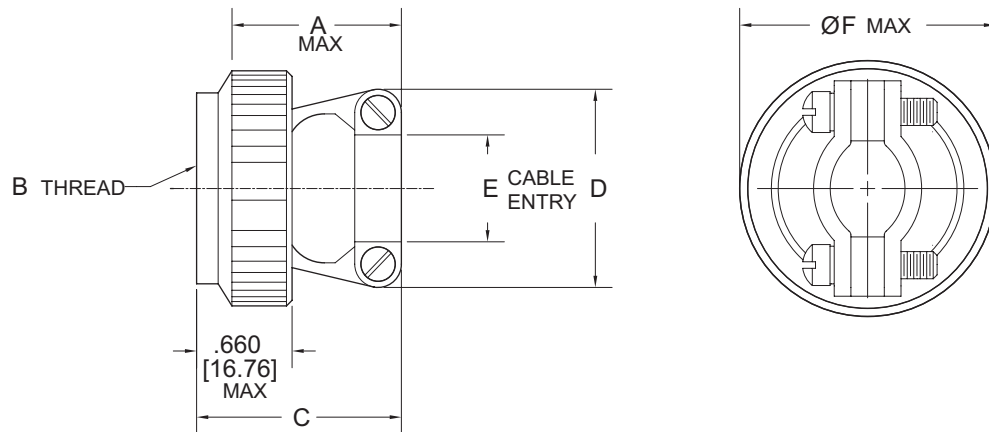
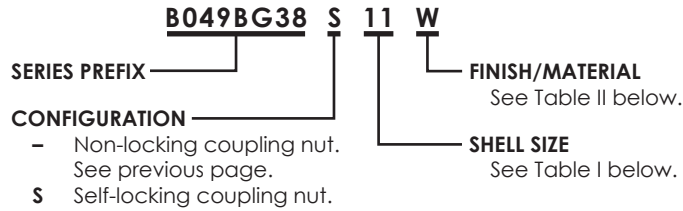
# SELF-LOCKING STRAIGHT STRAIN RELIEF

## B049BG38S

11D

For **SC3\*** Series (MIL-DTL-38999 Series III)

### ORDERING INFORMATION



**TABLE I**

SHELL SIZE	SHELL SIZE CODE (REF)	A MAX	B THREAD METRIC R.H. CLASS 6H	C MAX	D MAX	E CABLE ENTRY		ØF MAX
						OPEN	CLOSED	
9	A	.91 [23.11]	M12x1.0-0.100R	1.10 [27.94]	.85 [21.59]	.234 [5.94]	.098 [2.49]	.858 [21.79]
11	B	.91 [23.11]	M15x1.0-0.100R	1.10 [27.94]	.90 [22.86]	.234 [5.94]	.153 [3.89]	.984 [24.99]
13	C	1.01 [25.65]	M18x1.0-0.100R	1.20 [30.48]	1.10 [27.94]	.328 [8.33]	.190 [4.83]	1.157 [29.39]
15	D	1.06 [26.92]	M22x 1.0-0.100R	1.25 [31.75]	1.15 [29.21]	.457 [11.61]	.260 [6.60]	1.279 [32.49]
17	E	1.16 [29.46]	M25x 1.0-0.100R	1.35 [34.29]	1.30 [33.02]	.614 [15.60]	.283 [7.19]	1.406 [35.71]
19	F	1.41 [35.81]	M28x 1.0-0.100R	1.60 [40.64]	1.50 [38.10]	.634 [16.10]	.325 [8.25]	1.516 [38.51]
21	G	1.51 [38.35]	M31 x 1.0-0.100R	1.70 [43.18]	1.60 [40.64]	.698 [17.73]	.343 [8.71]	1.642 [41.71]
23	H	1.66 [42.16]	M34x 1.0-0.100R	1.85 [46.99]	1.70 [43.18]	.823 [20.90]	.381 [9.68]	1.768 [44.91]
25	J	1.76 [44.70]	M37x 1.0-0.100R	1.95 [49.53]	1.80 [45.72]	.853 [21.67]	.418 [10.62]	1.889 [47.98]

Dimensions in brackets [ ] are in millimeters.

**TABLE II - AVAILABLE FINISHES**

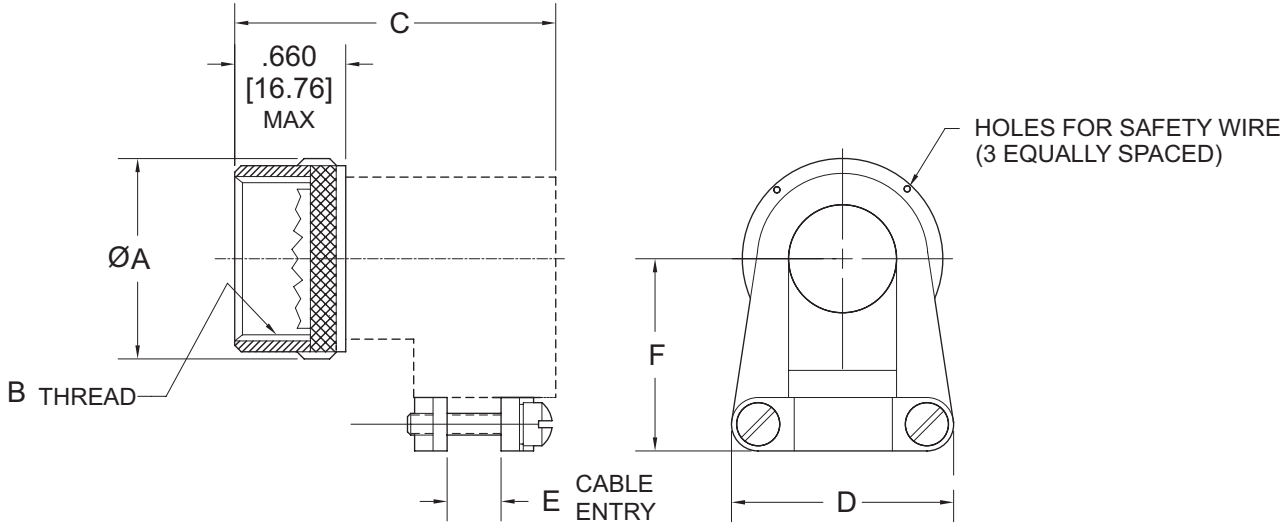
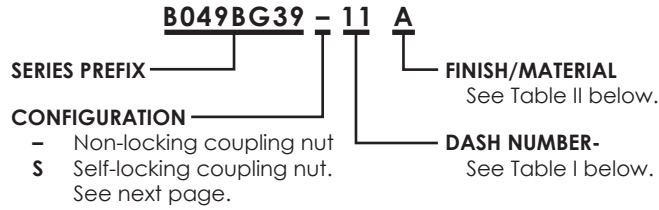
CODE	DESCRIPTION	MATERIAL	TEMP. RANGE	EXCLUSIONS
<b>A</b>	Black anodize - In accordance with Class 2 of AMS-A-8625, Type II.	Aluminum Alloy	-65 to +175 °C	
<b>N</b>	Electroless nickel - In accordance with AMS-C-26074 or AMS 2404.		-65 to +200 °C	Not for Navy use.
<b>W</b>	Cadmium - Olive drab over suitable underplate, 1000 hour salt spray.		-65 to +175 °C	Not for use in space application.
<b>S</b>	Passivate - In accordance with AMS-QQ-P-35, AMS 2700, or ASTM A 967.	Stainless Steel	-65 to +200 °C	

# 90° STRAIN RELIEF NON-LOCKING

## B049BG39

For **SC3\*** Series (MIL-DTL-38999 Series III)

### ORDERING INFORMATION



**TABLE I**

SHELL SIZE	SHELL SIZE CODE (REF)	A MAX	B THREAD METRIC R.H. CLASS 6H	C MAX	D MAX	E CABLE ENTRY		F MAX
						OPEN	CLOSED	
9	A	.75 [19.05]	M12x1.0-0.100R	1.20 [30.48]	.85 [21.59]	.234 [5.94]	.098 [2.49]	1.00 [25.40]
11	B	.85 [21.59]	M15x1.0-0.100R	1.20 [30.48]	.90 [22.86]	.234 [5.94]	.153 [3.89]	1.10 [27.94]
13	C	1.00 [25.40]	M18x1.0-0.100R	1.40 [35.56]	1.10 [27.94]	.328 [8.33]	.190 [4.83]	1.10 [27.94]
15	D	1.10 [27.94]	M22x 1.0-0.100R	1.45 [36.83]	1.15 [29.21]	.457 [11.61]	.260 [6.60]	1.25 [31.75]
17	E	1.25 [31.75]	M25x 1.0-0.100R	1.60 [40.64]	1.30 [33.02]	.614 [15.60]	.283 [7.19]	1.30 [33.02]
19	F	1.40 [35.56]	M28x 1.0-0.100R	1.70 [43.18]	1.50 [38.10]	.634 [16.10]	.325 [8.25]	1.35 [34.29]
21	G	1.50 [38.10]	M31 x 1.0-0.100R	1.85 [46.99]	1.60 [40.64]	.698 [17.73]	.343 [8.71]	1.60 [40.64]
23	H	1.65 [41.91]	M34x 1.0-0.100R	1.95 [49.53]	1.70 [43.18]	.823 [20.90]	.381 [9.68]	1.75 [44.45]
25	J	1.75 [44.45]	M37x 1.0-0.100R	2.10 [53.34]	1.80 [45.72]	.853 [21.67]	.418 [10.62]	1.85 [46.99]

Dimensions in brackets [ ] are in millimeters.

**TABLE II - AVAILABLE FINISHES**

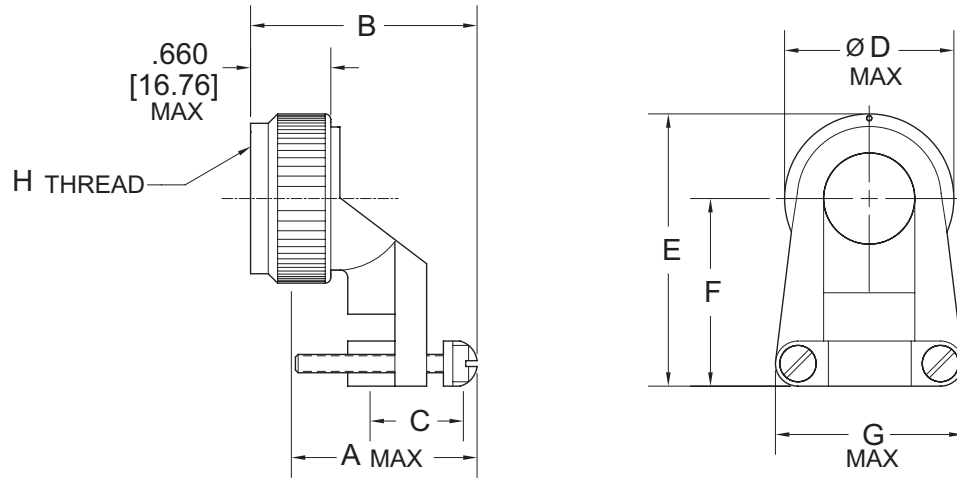
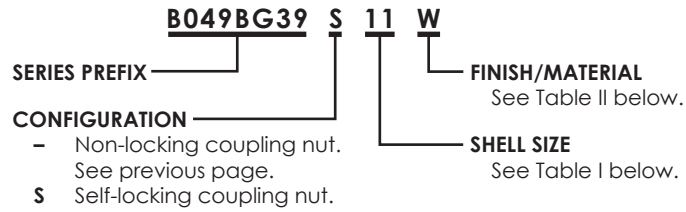
CODE	DESCRIPTION	MATERIAL	TEMP. RANGE	EXCLUSIONS
<b>A</b>	Black anodize - In accordance with Class 2 of AMS-A-8625, Type II.	Aluminum Alloy	-65 to +175 °C	
<b>N</b>	Electroless nickel - In accordance with AMS-C-26074 or AMS 2404.		-65 to +200 °C	Not for Navy use.
<b>W</b>	Cadmium - Olive drab over suitable underplate, 1000 hour salt spray.		-65 to +175 °C	Not for use in space application.
<b>S</b>	Passivate - In accordance with AMS-QQ-P-35, AMS 2700, or ASTM A 967.	Stainless Steel	-65 to +200 °C	





For **SC3\*** Series (MIL-DTL-38999 Series III)

### ORDERING INFORMATION



**TABLE I**

SHELL SIZE	SHELL SIZE CODE (REF)	A MAX	B MAX	C CABLE ENTRY		ØD MAX	E MAX	F MAX	G MAX	H THREAD METRIC R.H. CLASS 6H
				OPEN	CLOSED					
9	A	1.01 [25.65]	1.20 [30.48]	.234 [5.94]	.098 [2.49]	.858 [21.79]	1.38 [35.05]	1.00 [25.40]	.85 [21.59]	M12x1.0-0.100R
11	B	1.01 [25.65]	1.20 [30.48]	.234 [5.94]	.153 [3.89]	.984 [24.99]	1.53 [38.86]	1.10 [27.94]	.90 [22.86]	M15x1.0-0.100R
13	C	1.21 [30.73]	1.40 [35.56]	.328 [8.33]	.190 [4.83]	1.157 [29.39]	1.60 [40.64]	1.10 [27.94]	1.10 [27.94]	M18x1.0-0.100R
15	D	1.26 [32.00]	1.45 [36.83]	.457 [11.61]	.260 [6.60]	1.279 [32.49]	1.80 [45.72]	1.25 [31.75]	1.15 [29.21]	M22x1.0-0.100R
17	E	1.41 [35.81]	1.60 [40.64]	.614 [15.60]	.283 [7.19]	1.406 [35.71]	1.93 [49.02]	1.30 [33.02]	1.30 [33.02]	M25x1.0-0.100R
19	F	1.51 [38.35]	1.70 [43.18]	.634 [16.10]	.325 [8.25]	1.516 [38.51]	2.05 [52.07]	1.35 [34.29]	1.50 [38.10]	M28x1.0-0.100R
21	G	1.66 [42.16]	1.85 [46.99]	.698 [17.73]	.343 [8.71]	1.642 [41.71]	2.35 [59.69]	1.60 [40.64]	1.60 [40.64]	M31 x1.0-0.100R
23	H	1.76 [44.70]	1.95 [49.53]	.823 [20.90]	.381 [9.68]	1.768 [44.91]	2.58 [65.53]	1.75 [44.45]	1.70 [43.18]	M34x1.0-0.100R
25	J	1.91 [48.51]	2.10 [53.34]	.853 [21.67]	.418 [10.62]	1.889 [47.98]	2.73 [69.34]	1.85 [46.99]	1.80 [45.72]	M37x1.0-0.100R

Dimensions in brackets [ ] are in millimeters.

**TABLE II - AVAILABLE FINISHES**

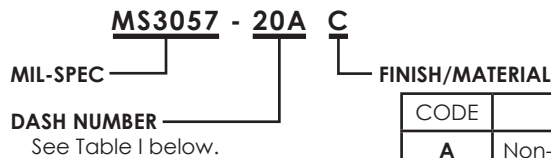
CODE	DESCRIPTION	MATERIAL	TEMP. RANGE	EXCLUSIONS
<b>A</b>	Black anodize - In accordance with Class 2 of AMS-A-8625, Type II.	Aluminum Alloy	-65 to +175 °C	
<b>N</b>	Electroless nickel - In accordance with AMS-C-26074 or AMS 2404.		-65 to +200 °C	Not for Navy use.
<b>W</b>	Cadmium - Olive drab over suitable underplate, 1000 hour salt spray.		-65 to +175 °C	Not for use in space application.
<b>S</b>	Passivate - In accordance with AMS-QQ-P-35, AMS 2700, or ASTM A 967.	Stainless Steel	-65 to +200 °C	

# CABLE CLAMP

MS3057-\*A

For All Series Having a Threaded Backshell

## ORDERING INFORMATION



CODE	FINISH	MATERIAL
A	Non-conductive, black anodize	Aluminum Alloy
C	Cadmium, olive drab, 48 hr salt spray	
N	Electroless nickel	

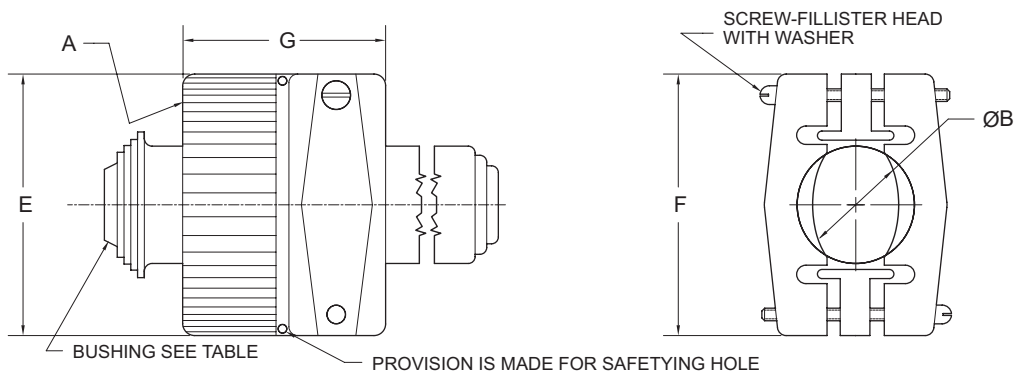


TABLE I

DASH NO.	CONNECTOR SHELL SIZE (REF)	A THREAD CLASS 2B	B MAX	ØE ±.031 [±0.79]	F ±.031 [±0.79]	G ±.031 [±0.79]	BUSHING (REF) (a)
-3A	8S & 10S	.500-28 UNEF	.250 [6.35]	.688 [17.48]	.812 [20.62]	.812 [20.62]	MS3420-3
-4A	10SL, 12S & 12	.625-24 UNEF	.312 [7.92]	.812 [20.62]	.875 [22.22]		MS3420-4
-6A	14S & 14	.750-20 UNEF	.438 [11.13]	.969 [24.61]	1.062 [26.97]	.875 [22.22]	MS3420-6
-8A	16S & 16	.875-20 UNEF	.562 [14.27]	1.094 [27.79]	1.156 [29.36]	.938 [23.83]	MS3420-8
-10A	18	1.000-20 UNEF	.625 [15.87]	1.188 [30.18]	1.250 [31.75]		MS3420-10
-12A	20 & 22	1.188-18 UNEF	.750 [19.05]	1.375 [34.92]	1.469 [37.31]		MS3420-12
-16A	24 & 28	1.438-18 UNEF	.938 [23.83]	1.656 [42.06]	1.688 [42.88]	1.031 [26.19]	MS3420-16
-20A	32	1.750-18 UNS	1.250 [31.75]	2.031 [51.59]	2.031 [51.59]	1.094 [27.79]	MS3420-20
-24A	36	2.000-18 UNS	1.375 [34.92]	2.219 [56.36]	2.281 [57.94]	1.156 [29.36]	MS3420-24
-28A	40	2.250-16 UN	1.625 [41.27]	2.500 [63.50]	2.688 [68.28]	1.688 [42.88]	MS3420-28
-32A	44	2.500-16 UN	1.875 [47.62]	2.781 [70.64]	2.938 [74.63]	1.750 [44.45]	MS3420-32
-40A	48	3.000-16 UN	2.375 [60.32]	3.281 [83.34]	3.500 [88.90]		MS3420-40

- (a) Bushings are not supplied with clamps.
- Dimensions in brackets [ ] are in millimeters.



For All Series Having a Threaded Backshell

### ORDERING INFORMATION

**MS3057 - 20B**

MIL-SPEC

DASH NUMBER

See Table I below.

**MATERIAL:** Aluminum Alloy

**FINISH:** Cadmium, Olive Drab, 48 Hr Salt Spray

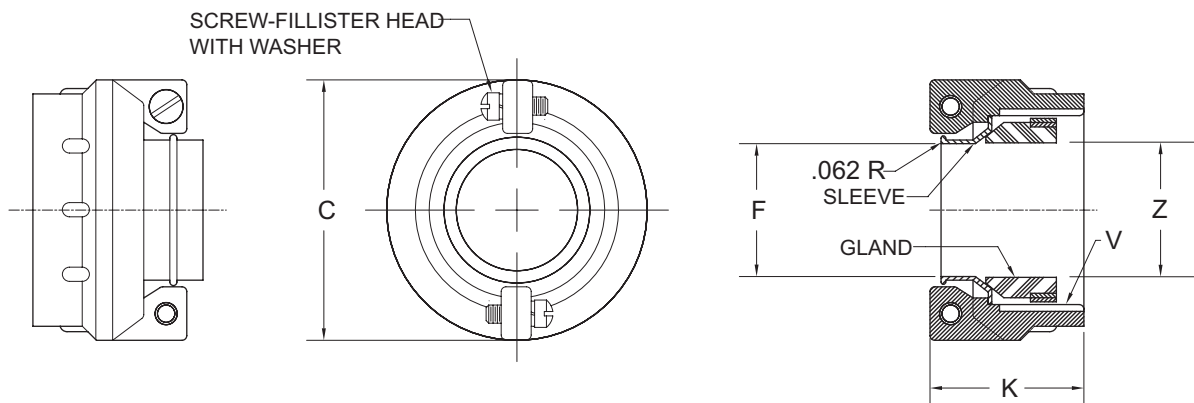


TABLE I

DASH NO.	CONNECTOR SHELL SIZE (REF)	C MAX	F +.020 - .000 [+0.51] [-0.00]	K MAX	V THREAD CLASS 2B	ØZ APPROX. (GLAND)		BUSHING (REF) (a)
						FREE	CLOSED	
-3B	8S & 10S	.812 [20.62]	.231 [5.87]	1.031 [26.19]	.500-28 UNEF	.219 [5.56]	.031 [0.79]	MS3420-3A
-4B	10SL, 12S & 12	.937 [23.80]	.315 [8.00]		.625-24 UNEF	.312 [7.92]	.094 [2.39]	MS3420-4A
-6B	14S & 14	1.062 [26.97]	.440 [11.18]		.750-20 UNEF	.438 [11.13]	.250 [6.35]	MS3420-6A
-8B	16S & 16	1.188 [30.18]	.515 [13.08]		.875-20 UNEF	.531 [13.49]	.312 [7.92]	MS3420-8A
-10B	18	1.312 [33.32]	.614 [15.60]	1.094 [27.79]	1.000-20 UNEF	.625 [15.87]	.375 [9.52]	MS3420-10A
-12B	20 & 22	1.562 [39.67]	.738 [18.75]	1.219 [30.96]	1.188-18 UNEF	.750 [19.05]	.500 [12.70]	MS3420-12A
-16B	24 & 28	1.750 [44.45]	.926 [23.52]		1.438-18 UNEF	.938 [23.83]	.594 [15.09]	MS3420-16A
-20B	32	2.250 [57.15]	1.200 [30.48]	1.344 [34.14]	1.750-18 UNS	1.250 [31.75]	.938 [23.83]	MS3420-20A
-24B	36	2.375 [60.32]	1.363 [34.62]	1.547 [39.29]	2.000-18 UNS	1.375 [34.92]	.969 [24.61]	MS3420-24A
-28B	40	2.625 [66.67]	1.611 [40.92]		2.250-16 UN	1.625 [41.27]	1.188 [30.18]	MS3420-28A
-32B	44	2.812 [71.42]	1.865 [47.37]		2.500-16 UN	1.875 [47.62]	1.375 [34.92]	MS3420-32A
-40B	48	3.312 [84.12]	2.365 [60.07]	1.781 [45.24]	3.000-16 UN	2.375 [60.32]	1.875 [47.62]	MS3420-40A

- (a) Bushings are not supplied with clamps.
- Dimensions in brackets [ ] are in millimeters.

# CABLE CLAMP

## MS3057-\*C

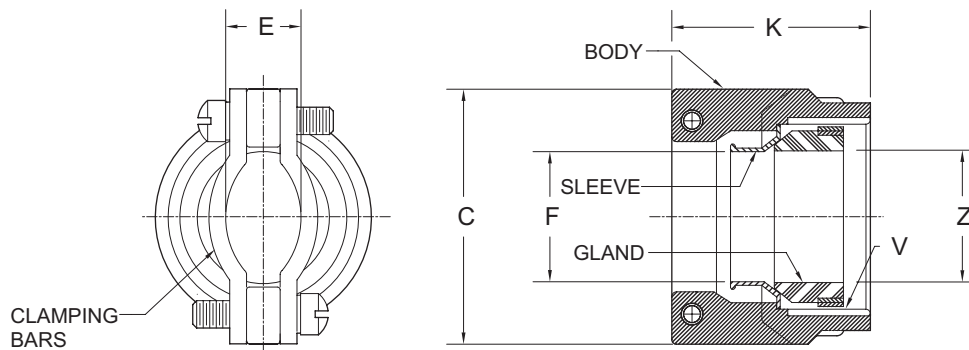
For All Series Having a Threaded Backshell

### ORDERING INFORMATION

**MS3057 - 20C**

MIL-SPEC                      DASH NUMBER  
See Table I below.

**MATERIAL:** Aluminum Alloy  
**FINISH:** Cadmium, Olive Drab, 48 Hr Salt Spray



**TABLE I**

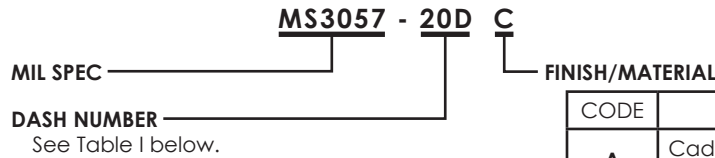
DASH NO.	CONNECTOR SHELL SIZE (REF)	C MAX	E MAX CLOSED	F +.020 - .000 [+0.51] [-0.00]	K MAX	V THREAD CLASS 2B	ØZ APPROX. (GLAND)		BUSHING (REF) (a)
							FREE	CLOSED	
-3C	8S & 10S	.812 [20.62]	.217 [5.51]	.231 [5.87]	1.375 [34.92]	.500-28 UNEF	.219 [5.56]	.031 [0.79]	MS3420-3A
-4C	10SL, 12S & 12	.937 [23.80]	.296 [7.52]	.315 [8.00]	1.375 [34.92]	.625-24 UNEF	.312 [7.92]	.094 [2.39]	MS3420-4A
-6C	14S & 14	1.062 [26.97]	.390 [9.91]	.440 [11.18]	1.375 [34.92]	.750-20 UNEF	.438 [11.13]	.250 [6.35]	MS3420-6A
-8C	16S & 16	1.188 [30.18]	.434 [11.02]	.515 [13.08]	1.375 [34.92]	.875-20 UNEF	.531 [13.49]	.312 [7.92]	MS3420-8A
-10C	18	1.312 [33.32]		.614 [15.60]	1.437 [36.50]	1.000-20 UNEF	.625 [15.87]	.375 [9.52]	MS3420-10A
-12C	20 & 22	1.562 [39.67]	.596 [15.14]	.738 [18.75]	1.437 [36.50]	1.188-18 UNEF	.750 [19.05]	.500 [12.70]	MS3420-12A
-16C	24 & 28	1.750 [44.45]		.926 [23.52]	1.562 [39.67]	1.438-18 UNEF	.938 [23.83]	.594 [15.09]	MS3420-16A
-20C	32	2.250 [57.15]	.858 [21.79]	1.200 [30.48]	1.812 [46.02]	1.750-18 UNS	1.250 [31.75]	.938 [23.83]	MS3420-20A
-24C	36	2.375 [60.32]		1.363 [34.62]	1.812 [46.02]	2.000-18 UNS	1.375 [34.92]	.969 [24.61]	MS3420-24A
-28C	40	2.625 [66.67]	1.107 [28.12]	1.611 [40.92]	2.062 [52.37]	2.250-16 UN	1.625 [41.27]	1.188 [30.18]	MS3420-28A
-32C	44	2.812 [71.42]	1.421 [36.09]	1.865 [47.37]	2.188 [55.58]	2.500-16 UN	1.875 [47.62]	1.375 [34.92]	MS3420-32A

1. (a) Bushings are not supplied with clamps.  
2. Dimensions in brackets [ ] are in millimeters.



For All Series Having a Threaded Backshell

### ORDERING INFORMATION



CODE	FINISH	MATERIAL
A	Cadmium, olive drab over suitable underplate, 1000 hr. salt spray	Aluminum Alloy
C	Cadmium, olive drab, 48 hr. salt spray	
D	Black cadmium	Stainless Steel
N	Electroless nickel	
S	Passivated	

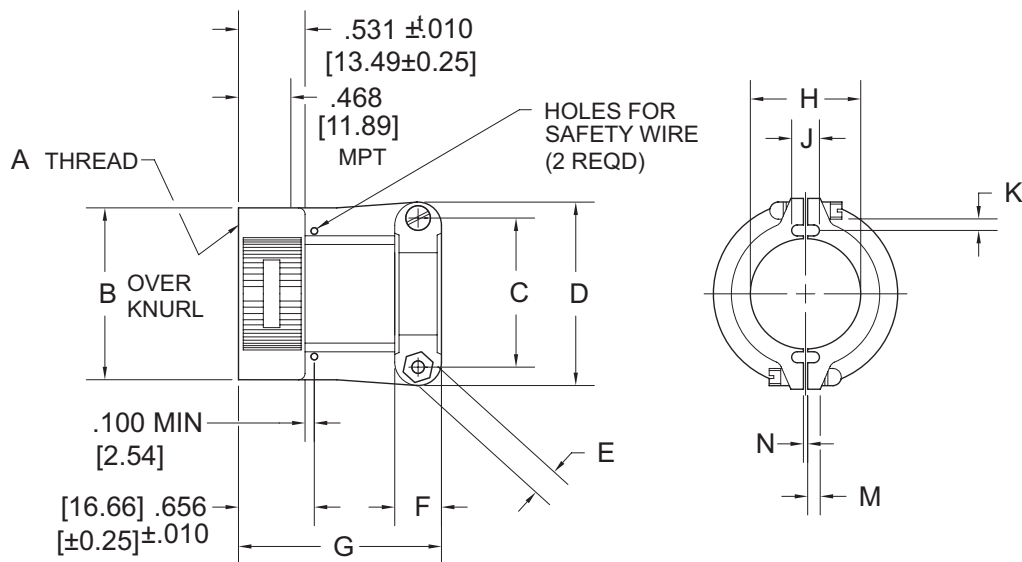


TABLE I

DASH NO.	A THREAD CLASS 2B	ØB MAX	C ±.010 [±0.25]	D ±.020 [±0.51]	E +.000 -.007 [+0.00] [-0.18]	F ±.010 [±0.25]	G ±.020 [±0.51]	H WIRE BUNDLE RANGE [DIA.]		ØJ ±.010 [±0.25]	K ±.010 [±0.25]	M ±.010 [±0.25]	N ±.010 [±0.25]
								MIN	MAX				
-4D	.625-24 UNEF	.937 [23.80]	.637 [16.18]	.937 [23.80]	.250 [6.35]	.312 [7.92]	1.281 [32.54]	.125 [3.17]	.312 [7.92]	.218 [5.54]	.062 [1.57]	.156 [3.96]	.109 [2.77]
-6D	.750-20 UNEF	1.031 [26.19]	.763 [19.38]	1.125 [28.57]	.250 [6.35]	.375 [9.52]	1.281 [32.54]	.250 [6.35]	.437 [11.10]	.281 [7.14]	.062 [1.57]	.175 [4.44]	.125 [3.17]
-8D	.875-20 UNEF	1.250 [31.75]	.942 [23.93] ±.032 [±0.81]	1.312 [33.32]	.250 [6.35]	.422 [10.72] ±.026 [±0.66]	1.281 [32.54]	.312 [7.92]	.562 [14.27]	.312 [7.92]	.062 [1.57]	.211 [5.36] ±.018 [±0.46]	.125 [3.17]
-10D	1.000-20 UNEF	1.250 [31.75]	.964 [24.49]	1.312 [33.32]	.250 [6.35]	.437 [11.10]	1.281 [32.54]	.350 [8.89]	.625 [15.87]	.312 [7.92]	.062 [1.57]	.218 [5.54]	.125 [3.17]
-12D	1.188-18 UNEF	1.437 [36.50]	1.130 [28.70]	1.531 [38.89]	.250 [6.35]	.437 [11.10]	1.312 [33.32]	.500 [12.70]	.750 [19.05]	.375 [9.52]	.062 [1.57]	.250 [6.35]	.156 [3.96]
-16D	1.438-18 UNEF	1.688 [42.88]	1.375 [34.92]	1.750 [44.45]	.250 [6.35]	.531 [13.49]	1.406 [35.71]	.625 [15.87]	.937 [23.80]	.375 [9.52]	.062 [1.57]	.250 [6.35]	.188 [4.78]
-20D	1.750-18 UNS	2.000 [50.80]	1.703 [43.26]	2.093 [53.16]	.312 [7.92]	.531 [13.49]	1.593 [40.46]	.875 [22.22]	1.250 [31.75]	.475 [12.06]	.078 [1.98]	.312 [7.92]	.188 [4.78]
-24D	2.000-18 UNS	2.250 [57.15]	1.906 [48.41]	2.343 [59.51]	.312 [7.92]	.531 [13.49]	1.625 [41.27]	1.000 [25.40]	1.375 [34.92]	.500 [12.70]	.093 [2.36]	.312 [7.92]	.250 [6.35]
-28D	2.250-16 UN	2.500 [63.50]	2.218 [56.34]	2.750 [69.85]	.312 [7.92]	.812 [20.62]	1.900 [48.26]	1.250 [31.75]	1.625 [41.27]	.625 [15.87]	.093 [2.36]	.312 [7.92]	.375 [9.52]
-32D	2.500-16 UN	2.750 [69.85]	2.500 [63.50]	3.000 [76.20]	.312 [7.92]	.812 [20.62]	1.900 [48.26]	1.437 [36.50]	1.875 [47.62]	.675 [17.14]	.125 [3.17]	.312 [7.92]	.375 [9.52]

1. Dimensions in brackets [ ] are in millimeters.  
2. MS3057-\*D superseded by M85049/42.

# Spacecraft Power Connectors

Extreme Environments

High Reliability

Rugged  
Applications



Broad  
Range  
Selection

Rapid Service

Technical  
Solutions Oriented

 **SPACECRAFT**  
Keeping Jobs in America

**YOUR**  
**CONNECTOR**  
**CONSULTANT**  
SINCE 1962

 **SPACECRAFT**  
COMPONENTS CORP.

**702.851.7600**

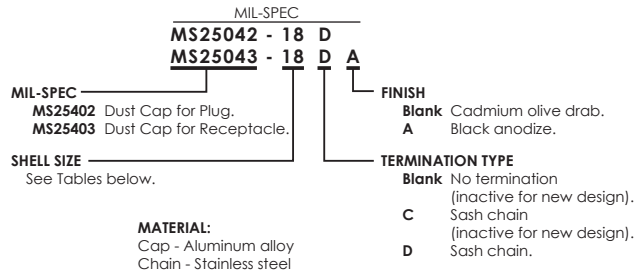
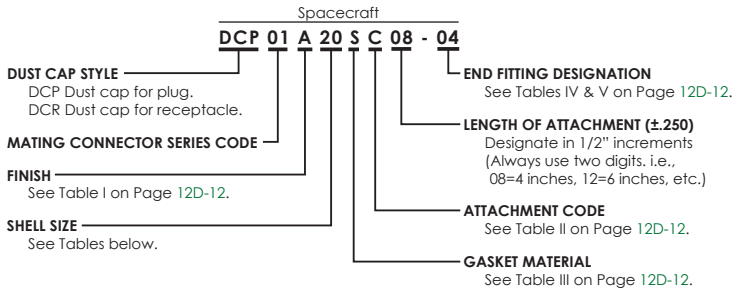
# SECTION 12D

## DUST CAPS & DUMMY RECEPTACLES

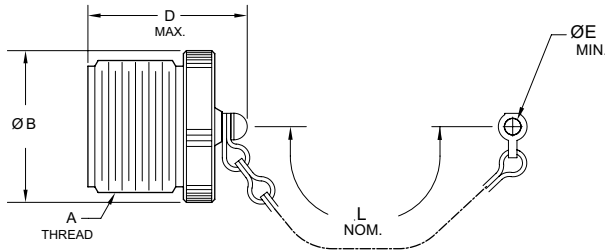


# AS50151 DUST CAPS & DUMMY RECEPTACLES

## DCP01, DCR01 & DRP01



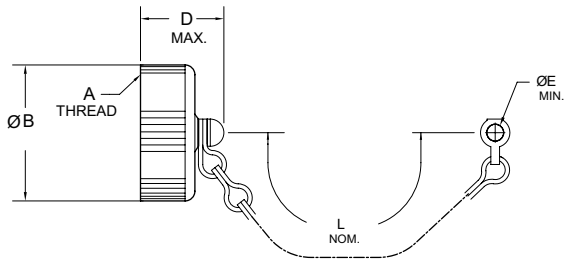
### DCP01 Dust Cap for Plug (MS25042)



DASH NO.	SHELL SIZE	A THREAD CLASS 2A	B MAX.	D MAX.	E* MIN.	L NOMINAL
8	8S	.500-28 UNEF	.562 [14.27]	.969 [24.61]	.151 [3.84]	4.00 [101.60]
10	10S, 10SL	.625-24 UNEF	.687 [17.45]	.969 [24.61]	.151 [3.84]	4.00 [101.60]
12	12, 12S	.750-20 UNEF	.812 [20.62]	1.156 [29.36]	.151 [3.84]	4.50 [114.30]
14	14, 14S	.875-20 UNEF	.937 [23.80]	1.156 [29.36]	.151 [3.84]	4.50 [114.30]
16	16, 16S	1.000-20 NEF	1.062 [26.97]	1.156 [29.36]	.151 [3.84]	4.50 [114.30]
18	18	1.125-18 UNEF	1.187 [30.15]	1.156 [29.36]	.151 [3.84]	4.50 [114.30]
20	20	1.250-18 UNEF	1.312 [33.32]	1.156 [29.36]	.182 [4.62]	5.00 [127.00]
22	22	1.375-18 UNEF	1.437 [36.50]	1.156 [29.36]	.182 [4.62]	5.00 [127.00]
24	24	1.500-18 UNEF	1.562 [39.67]	1.156 [29.36]	.182 [4.62]	5.50 [139.70]
28	28	1.750-18 UNS	1.812 [46.02]	1.156 [29.36]	.182 [4.62]	7.75 [196.85]
32	32	2.000-18 UNS	2.062 [52.37]	1.156 [29.36]	.213 [5.41]	7.75 [196.85]
36	36	2.250-16 UN	2.312 [58.72]	1.156 [29.36]	.213 [5.41]	7.75 [196.85]
40	40	2.500-16 UN	2.562 [65.07]	1.156 [29.36]	.213 [5.41]	7.75 [196.85]

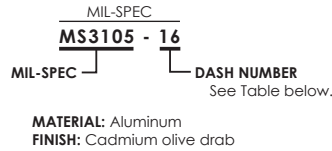
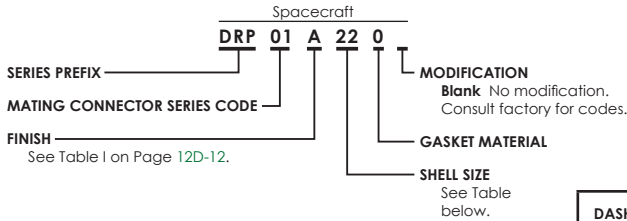
1. Dimensions in brackets [ ] are in millimeters.  
 \* "E" dimensions only applicable for MS25042/MS25403. For DCP01/DCP02 caps use end fitting code.

### DCR01 Dust Cap for Receptacle (MS25043)

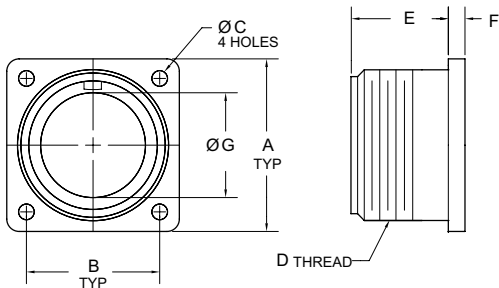


DASH NO.	SHELL SIZE	A THREAD CLASS 2B	B MAX.	D MAX.	E* MIN.	L NOMINAL
8	8S	.500-28 UNEF	.688 [17.48]	.750 [19.05]	.135 [3.43]	4.00 [101.60]
10	10S, 10SL	.625-24 UNEF	.815 [20.70]	.750 [19.05]	.135 [3.43]	4.00 [101.60]
12	12, 12S	.750-20 UNEF	1.000 [25.40]	.750 [19.05]	.135 [3.43]	4.50 [114.30]
14	14, 14S	.875-20 UNEF	1.125 [28.57]	.750 [19.05]	.135 [3.43]	4.50 [114.30]
16	16, 16S	1.000-20 NEF	1.188 [30.18]	.750 [19.05]	.135 [3.43]	4.50 [114.30]
18	18	1.125-18 UNEF	1.344 [34.14]	.750 [19.05]	.135 [3.43]	4.50 [114.30]
20	20	1.250-18 UNEF	1.469 [37.31]	.750 [19.05]	.135 [3.43]	5.00 [127.00]
22	22	1.375-18 UNEF	1.594 [40.49]	.750 [19.05]	.135 [3.43]	5.00 [127.00]
24	24	1.500-18 UNEF	1.719 [43.66]	.750 [19.05]	.166 [4.22]	5.50 [139.70]
28	28	1.750-18 UNS	1.969 [50.01]	.812 [20.62]	.166 [4.22]	7.75 [196.85]
32	32	2.000-18 UNS	2.219 [56.36]	.812 [20.62]	.182 [4.62]	7.75 [196.85]
36	36	2.250-16 UN	2.469 [62.71]	.812 [20.62]	.182 [4.62]	7.75 [196.85]
40	40	2.500-16 UN	2.719 [69.06]	.812 [20.62]	.182 [4.62]	7.75 [196.85]

1. Dimensions in brackets [ ] are in millimeters.  
 \* "E" dimensions only applicable for MS25042/MS25403. For DCP01/DCP02 caps use end fitting code.



### DRP01 Dummy Receptacle (MS3105)



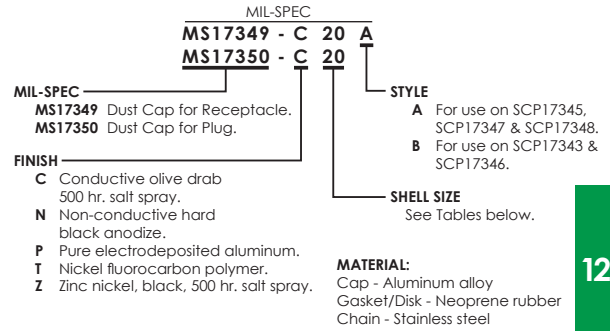
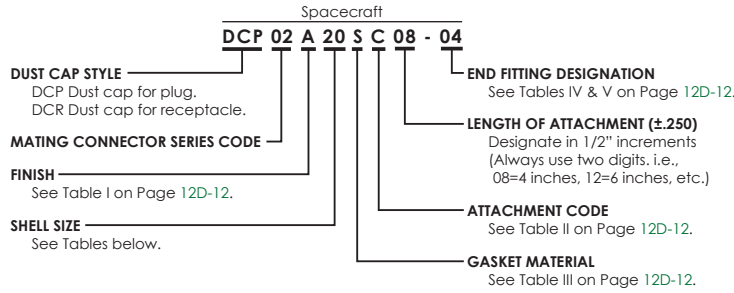
DASH NO. (SHELL SIZE)	A ±.031 [±0.79]	B ±.005 [±0.25]	C +.010 -.005 [±0.25] [-0.13]	D THREAD CLASS 2A	E +.031 -.000 [±0.79] [-0.00]	F
8S	.875 [22.22]	.594 [15.09]	.120 [3.05]	.500-28 UNEF	.562 [14.27]	.156 [3.96]
10S, 10SL	1.000 [25.40]	.719 [18.26]	.120 [3.05]	.625-24 UNEF	.562 [14.27]	.156 [3.96]
12S	1.094 [27.79]	.812 [20.62]	.120 [3.05]	.750-20 UNEF	.562 [14.27]	.156 [3.96]
12	1.094 [27.79]	.812 [20.62]	.120 [3.05]	.750-20 UNEF	.750 [19.05]	.156 [3.96]
14S	1.188 [30.18]	.906 [23.01]	.120 [3.05]	.875-20 UNEF	.562 [14.27]	.156 [3.96]
14	1.188 [30.18]	.906 [23.01]	.120 [3.05]	.875-20 UNEF	.750 [19.05]	.156 [3.96]
16S	1.281 [32.54]	.969 [24.61]	.120 [3.05]	1.000-20 UNEF	.562 [14.27]	.156 [3.96]
16	1.281 [32.54]	.969 [24.61]	.120 [3.05]	1.000-20 UNEF	.750 [19.05]	.156 [3.96]
18	1.375 [34.92]	1.062 [26.97]	.120 [3.05]	1.125-18 UNEF	.750 [19.05]	.203 [5.16]
20	1.500 [38.10]	1.156 [29.36]	.120 [3.05]	1.250-18 UNEF	.750 [19.05]	.203 [5.16]
22	1.625 [41.27]	1.250 [31.75]	.120 [3.05]	1.375-18 UNEF	.750 [19.05]	.203 [5.16]
24	1.750 [44.45]	1.375 [34.92]	.147 [3.73]	1.500-18 UNEF	.812 [20.62]	.203 [5.16]
28	2.000 [50.80]	1.562 [39.67]	.147 [3.73]	1.750-18 UNS	.812 [20.62]	.203 [5.16]
32	2.250 [57.15]	1.750 [44.45]	.173 [4.39]	2.000-16 UNS	.875 [22.22]	.359 [9.12]
36	2.500 [63.50]	1.938 [49.23]	.173 [4.39]	2.250-16 UN	.875 [22.22]	.359 [9.12]
40	2.750 [69.85]	2.188 [55.58]	.173 [4.39]	2.500-16 UN	.875 [22.22]	.359 [9.12]

1. Dimensions in brackets [ ] are in millimeters.

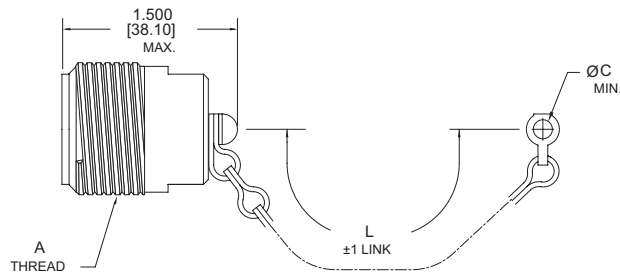


# DUST CAPS & DUMMY RECEPTACLES MIL-DTL-22992

## DCP02, DCR02 & DRP02



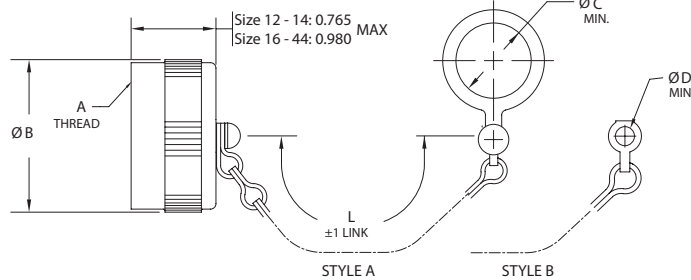
### DCP02 Dust Cap for Plug (MS17350)



Shell Size	A Thread Class 2A	ØC* Min.	L ±1 Link
12	.875-0.1P-0.2L-DS	0.150 [3.81]	5.00 [127.00]
14	1.000-0.1P-0.2L-DS	0.150 [3.81]	5.00 [127.00]
16	1.125-0.1P-0.2L-DS	0.150 [3.81]	5.00 [127.00]
18	1.250-0.1P-0.2L-DS	0.177 [4.50]	5.00 [127.00]
20	1.375-0.1P-0.2L-DS	0.177 [4.50]	5.00 [127.00]
22	1.500-0.1P-0.2L-DS	0.177 [4.50]	6.00 [152.40]
24	1.750-0.1P-0.2L-DS	0.177 [4.50]	6.00 [152.40]
28	2.000-0.1P-0.2L-DS	0.177 [4.50]	6.00 [152.40]
32	2.250-0.1P-0.2L-DS	0.199 [5.05]	6.00 [152.40]
36	2.500-0.1P-0.2L-DS	0.199 [5.05]	6.00 [152.40]
40	2.750-0.1P-0.2L-DS	0.199 [5.05]	6.00 [152.40]
44	3.000-0.1P-0.2L-DS	0.199 [5.05]	6.00 [152.40]

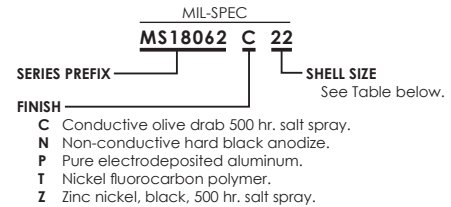
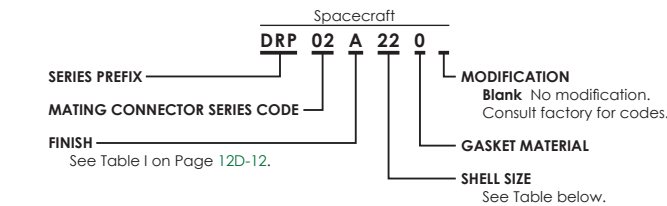
1. Dimensions in brackets [ ] are in millimeters.  
 \* "C" dimensions only applicable for MS17350. For DCR02 use end fitting code.

### DCR02 Dust Cap for Receptacle (MS17349)

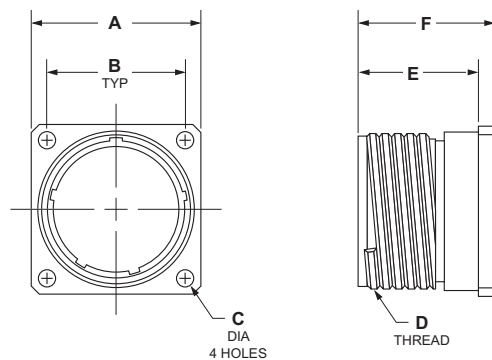


Shell Size	A Thread Class 2B	B Max.	ØC* Min.	ØD* Min.	L ±1 Link
12	.875-0.1P-0.2L-DS	1.094 [27.79]	1.106 [28.09]	0.150 [3.81]	5.00 [127.00]
14	1.000-0.1P-0.2L-DS	1.219 [30.96]	1.141 [28.98]	0.150 [3.81]	5.00 [127.00]
16	1.125-0.1P-0.2L-DS	1.344 [34.14]	1.266 [32.16]	0.150 [3.81]	5.00 [127.00]
18	1.250-0.1P-0.2L-DS	1.469 [37.31]	1.391 [35.33]	0.177 [4.50]	5.00 [127.00]
20	1.375-0.1P-0.2L-DS	1.562 [39.67]	1.516 [38.51]	0.177 [4.50]	5.00 [127.00]
22	1.500-0.1P-0.2L-DS	1.688 [42.88]	1.641 [41.68]	0.177 [4.50]	6.00 [152.40]
24	1.750-0.1P-0.2L-DS	1.938 [49.23]	1.891 [48.03]	0.177 [4.50]	6.00 [152.40]
28	2.000-0.1P-0.2L-DS	2.219 [56.36]	2.141 [54.38]	0.177 [4.50]	6.00 [152.40]
32	2.250-0.1P-0.2L-DS	2.469 [62.71]	2.391 [60.73]	0.177 [4.50]	6.00 [152.40]
36	2.500-0.1P-0.2L-DS	2.719 [69.06]	2.641 [67.08]	0.199 [5.05]	6.00 [152.40]
40	2.750-0.1P-0.2L-DS	2.969 [75.41]	2.891 [73.43]	0.199 [5.05]	6.00 [152.40]
44	3.000-0.1P-0.2L-DS	3.219 [81.76]	3.141 [79.78]	0.199 [5.05]	6.00 [152.40]

1. Dimensions in brackets [ ] are in millimeters.  
 \* "C, D" dimensions only applicable for MS17349. For DCP02 use end fitting code.



### DRP02 Dummy Receptacle (MS18062)

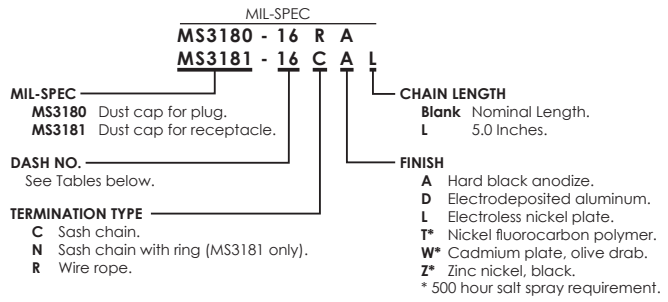
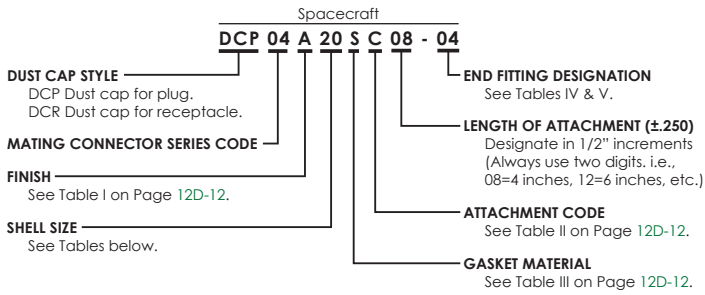


Shell Size	A +.021 -.020	B	C ±.005	D Thread Class 2A	E +.010 -.000	F +.021 -.010
12	1.188 [30.18]	0.906 [23.01]	0.150 [3.81]	.8750-0.1P-0.2L-DS	0.797 [20.24]	0.938 [23.83]
14	1.281 [32.54]	0.969 [24.61]	0.150 [3.81]	1.000-0.1P-0.2L-DS	0.797 [20.24]	0.938 [23.83]
16	1.375 [34.93]	1.062 [26.97]	0.150 [3.81]	1.1250-0.1P-0.2L-DS	0.797 [20.24]	0.938 [23.83]
18	1.500 [38.10]	1.156 [29.36]	0.177 [4.50]	1.2500-0.1P-0.2L-DS	0.797 [20.24]	0.953 [24.21]
20	1.625 [41.28]	1.250 [31.75]	0.177 [4.50]	1.3750-0.1P-0.2L-DS	0.797 [20.24]	0.953 [24.21]
22	1.750 [44.45]	1.375 [34.93]	0.177 [4.50]	1.5000-0.1 P-0.2L-DS	0.797 [20.24]	0.953 [24.21]
24	2.000 [50.80]	1.562 [39.67]	0.177 [4.50]	1.7500-0.1P-0.2L-DS	0.859 [21.82]	1.047 [26.59]
28	2.250 [57.15]	1.750 [44.45]	0.177 [4.50]	2.0000-0.1 P-0.2L-DS	0.859 [21.82]	1.047 [26.59]
32	2.500 [63.50]	1.938 [49.23]	0.209 [5.31]	2.2500-0.1 P-0.2L-DS	0.922 [23.42]	1.110 [28.19]
36	2.750 [69.85]	2.188 [55.58]	0.209 [5.31]	2.5000-0.1P-0.2L-DS	0.922 [23.42]	1.110 [28.19]
40	3.000 [76.20]	2.375 [60.33]	0.209 [5.31]	2.7500-0.1 P-0.2L-DS	0.922 [23.42]	1.110 [28.19]
44	3.250 [82.55]	2.625 [66.68]	0.209 [5.31]	3.0000-0.1 P-0.2L-DS	0.922 [23.42]	1.109 [28.17]

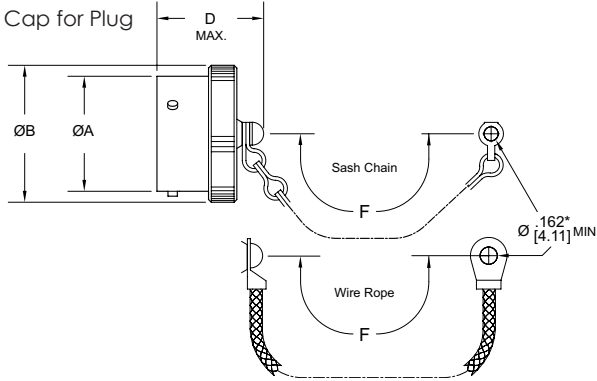
1. Dimensions in brackets [ ] are in millimeters.

# MIL-DTL-26482 DUST CAPS & DUMMY RECEPTACLES

## DCP04, DCR04 & DRP04



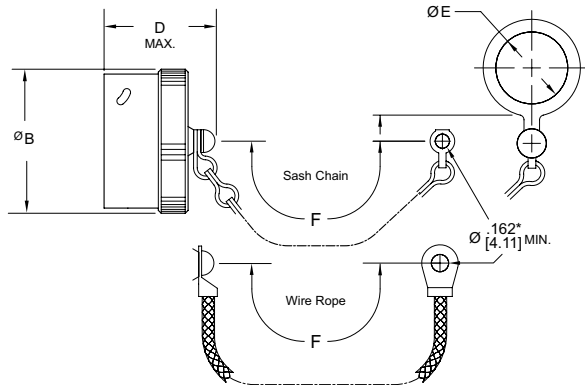
### DCP04 Dust Cap for Plug (MS3180)



DASH NO.	SHELL SIZE	A MAX.	B MAX.	D MAX.	F +.500 [12.70] -.250 [6.35]
8C or 8R	8	.474 [12.04]	.719 [18.26]	.781 [19.84]	3.00 [76.20]
10C or 10R	10	.591 [15.01]	.844 [21.44]	.781 [19.84]	3.00 [76.20]
12C or 12R	12	.751 [19.08]	1.000 [25.40]	.781 [19.84]	3.50 [88.90]
14C or 14R	14	.876 [22.25]	1.125 [28.57]	.781 [19.84]	3.50 [88.90]
16C or 16R	16	1.001 [25.43]	1.250 [31.75]	.781 [19.84]	3.50 [88.90]
18C or 18R	18	1.126 [28.60]	1.375 [34.92]	.781 [19.84]	3.50 [88.90]
20C or 20R	20	1.251 [31.78]	1.500 [38.10]	.844 [21.44]	4.00 [101.6]
22C or 22R	22	1.376 [34.95]	1.625 [41.27]	.844 [21.44]	4.00 [101.6]
24C or 24R	24	1.501 [38.13]	1.750 [44.45]	.875 [22.22]	4.00 [101.6]

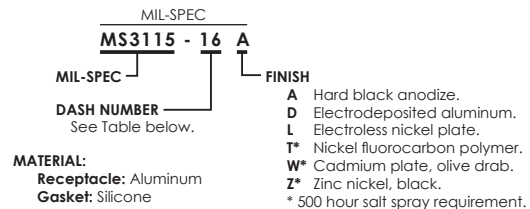
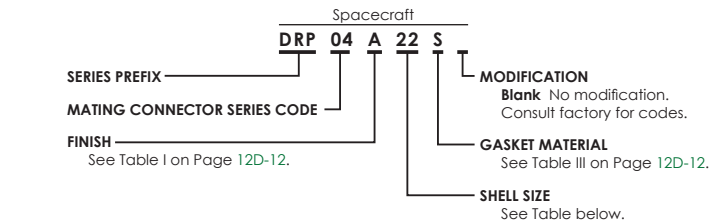
1. Dimensions in brackets [ ] are in millimeters.  
\* .162 min. only applicable for MS3180. For DCR04 use end fitting code.

### DCR04 Dust Cap for Receptacle (MS3181)

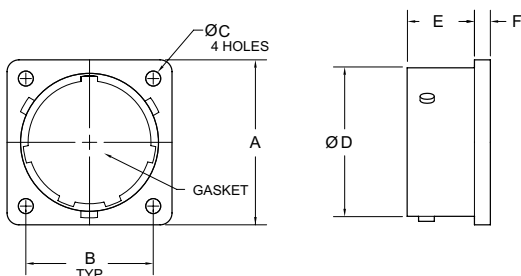


DASH NO.	SHELL SIZE	B MAX.	D MAX.	E* MIN.	F +.500 [12.70] -.250 [6.35]
8C, 8N, 8R	8	.734 [18.64]	.844 [21.44]	.578 [14.68]	3.00 [76.20]
10C, 10N, 10R	10	.859 [21.82]	.844 [21.44]	.703 [17.86]	3.00 [76.20]
12C, 12N, 12R	12	1.000 [25.40]	.844 [21.44]	.891 [22.63]	3.50 [88.90]
14C, 14N, 14R	14	1.125 [28.57]	.844 [21.44]	1.016 [25.81]	3.50 [88.90]
16C, 16N, 16R	16	1.250 [31.75]	.844 [21.44]	1.141 [28.98]	3.50 [88.90]
18C, 18N, 18R	18	1.375 [34.92]	.844 [21.44]	1.266 [32.16]	3.50 [88.90]
20C, 20N, 20R	20	1.500 [38.10]	.844 [21.44]	1.391 [35.33]	4.00 [101.6]
22C, 22N, 22R	22	1.625 [41.27]	.844 [21.44]	1.516 [38.51]	4.00 [101.6]
24C, 24N, 24R	24	1.750 [44.45]	.875 [22.22]	1.641 [41.68]	4.00 [101.6]

1. Dimensions in brackets [ ] are in millimeters.  
\* .162 min. of "E" dimension only applicable for MS3181. For DCP04 use end fitting code.



### DRP04 Dummy Receptacle (MS3115)



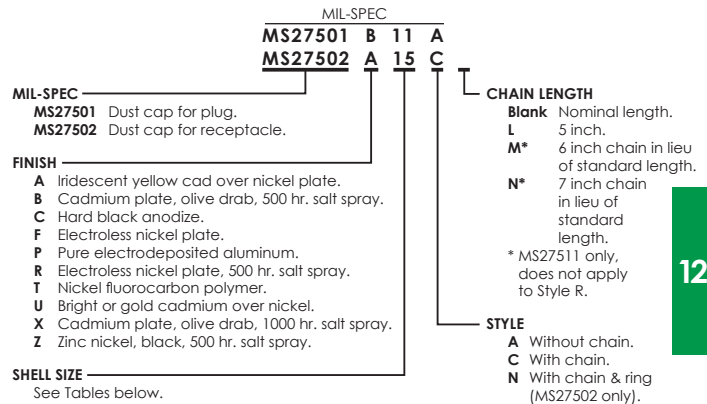
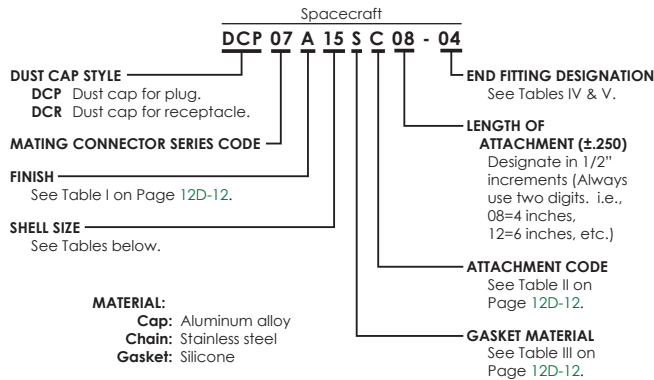
DASH NO.	A MAX.	B	C ±.005 [±0.13]	D +.001 -.005 [+0.03] [-0.13]	E +.031 -.000 [+0.79] [-0.00]	F ±.016 [±0.41]
8	.828 [21.03]	.594 [15.09]	.120 [3.05]	.473 [12.01]	.462 [11.73]	.062 [1.57]
10	.954 [24.23]	.719 [18.26]	.120 [3.05]	.590 [14.99]	.462 [11.73]	.062 [1.57]
12	1.047 [26.59]	.812 [20.62]	.120 [3.05]	.750 [19.05]	.462 [11.73]	.062 [1.57]
14	1.141 [28.98]	.906 [23.01]	.120 [3.05]	.875 [22.22]	.462 [11.73]	.062 [1.57]
16	1.234 [31.34]	.969 [24.61]	.120 [3.05]	1.000 [25.40]	.462 [11.73]	.062 [1.57]
18	1.328 [33.73]	1.062 [26.97]	.120 [3.05]	1.125 [28.57]	.462 [11.73]	.062 [1.57]
20	1.453 [36.88]	1.156 [29.36]	.120 [3.05]	1.250 [31.75]	.556 [14.12]	.094 [2.39]
22	1.578 [40.08]	1.250 [31.75]	.120 [3.05]	1.375 [34.92]	.556 [14.12]	.094 [2.39]
24	1.703 [43.26]	1.375 [34.92]	.147 [3.73]	1.500 [38.10]	.589 [14.96]	.094 [2.39]

1. Dimensions in brackets [ ] are in millimeters.

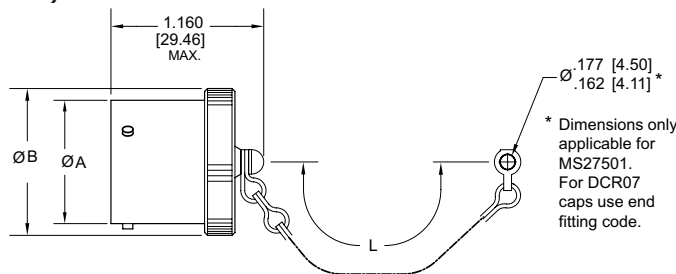


# DUST CAPS & DUMMY RECEPTACLES MIL-DTL-38999 Series I

## DCP07, DCR07 & DRP07



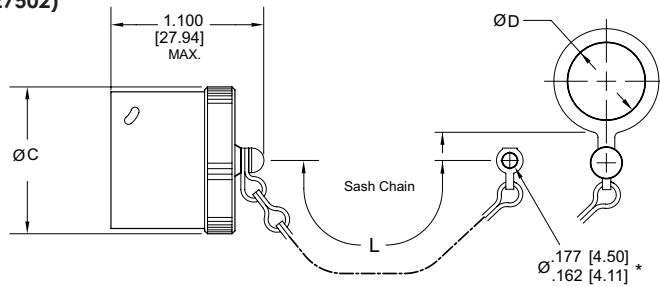
### DCP07 Dust Cap for Plug (MS27501)



SHELL SIZE	A ±.020 [±0.51]	B MAX.	L +.500 [12.70] - .250 [6.35]
9	.579 [14.71]	.820 [20.83]	3.00 [76.20]
11	.711 [18.06]	.940 [23.88]	3.00 [76.20]
13	.860 [21.84]	1.070 [27.18]	3.50 [88.90]
15	.984 [24.99]	1.190 [30.23]	3.50 [88.90]
17	1.109 [28.17]	1.320 [33.53]	3.50 [88.90]
19	1.216 [30.89]	1.440 [36.58]	3.50 [88.90]
21	1.341 [34.06]	1.570 [39.88]	4.00 [101.60]
23	1.466 [37.24]	1.690 [42.93]	4.00 [101.60]
25	1.591 [40.41]	1.820 [46.23]	4.00 [101.60]

1. Dimensions in brackets [ ] are in millimeters.

### DCR07 Dust Cap for Receptacle (MS27502)

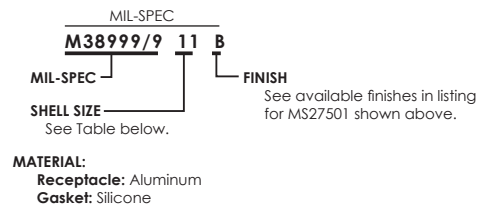
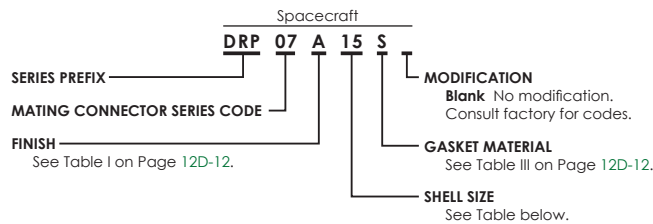


SHELL SIZE	C MAX.	D* MIN.	L +.500 [12.70] - .250 [6.35]
9	.860 [21.84]	.70 [17.78]	3.00 [76.20]
11	.980 [24.89]	.84 [21.34]	3.00 [76.20]
13	1.160 [29.46]	1.01 [25.65]	3.50 [88.90]
15	1.280 [32.51]	1.14 [28.96]	3.50 [88.90]
17	1.410 [35.81]	1.26 [32.00]	3.50 [88.90]
19	1.520 [38.61]	1.39 [35.31]	3.50 [88.90]
21	1.650 [41.91]	1.51 [38.35]	4.00 [101.60]
23	1.770 [44.96]	1.64 [41.66]	4.00 [101.60]
25	1.890 [48.01]	1.76 [44.70]	4.00 [101.60]

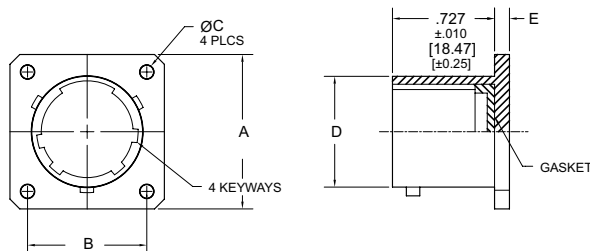
1. Dimensions in brackets [ ] are in millimeters.

\* "D" dimensions only applicable for MS27502.

For DCP07 caps use end fitting code.



### DRP07 Dummy Receptacle (M38999/9)

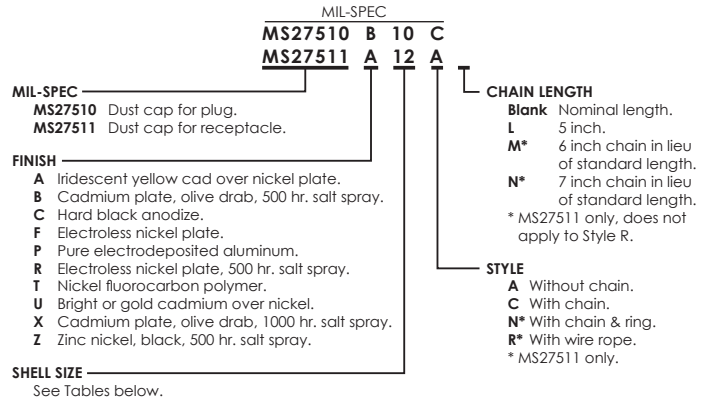
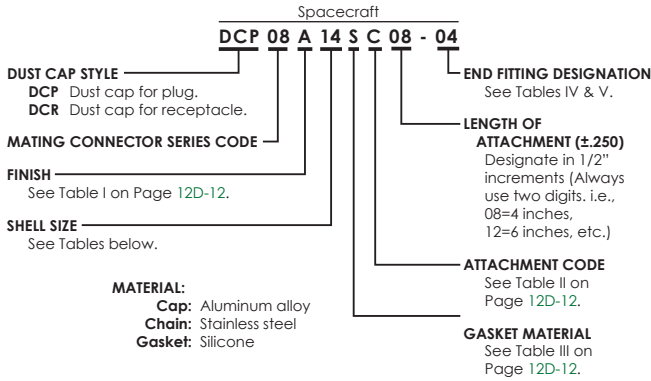


SHELL SIZE	A ±.020 [0.51]	B DIM	ØC +.010 [0.30] - .005 [0.13]	D +.001 [0.03] - .005 [0.13]	E +.015 [0.38] - .000 [0.00]
9	.938 [23.83]	.719 [18.26]	.128 [3.25]	.572 [14.53]	.085 [2.16]
11	1.031 [26.19]	.812 [20.62]	.128 [3.25]	.700 [17.78]	.085 [2.16]
13	1.125 [28.57]	.906 [23.01]	.128 [3.25]	.850 [21.59]	.085 [2.16]
15	1.219 [30.96]	.969 [24.61]	.128 [3.25]	.975 [24.76]	.085 [2.16]
17	1.312 [33.32]	1.062 [26.97]	.128 [3.25]	1.100 [27.94]	.085 [2.16]
19	1.438 [36.53]	1.156 [29.36]	.128 [3.25]	1.207 [30.66]	.085 [2.16]
21	1.562 [39.67]	1.250 [31.75]	.128 [3.25]	1.332 [33.83]	.115 [2.92]
23	1.688 [42.88]	1.375 [34.92]	.147 [3.73]	1.457 [37.01]	.115 [2.92]
25	1.812 [46.02]	1.500 [38.10]	.147 [3.73]	1.582 [40.18]	.115 [2.92]

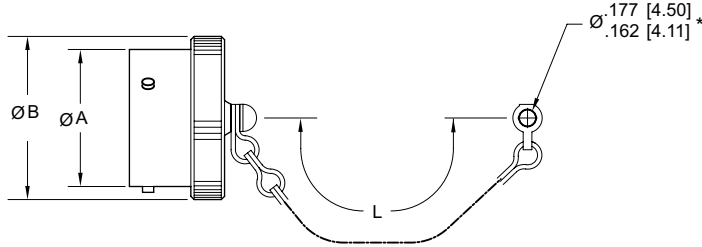
1. Dimensions in brackets [ ] are in millimeters.

# MIL-DTL-38999 Series II DUST CAPS & DUMMY RECEPTACLES

## DCP08, DCR08 & DRP08



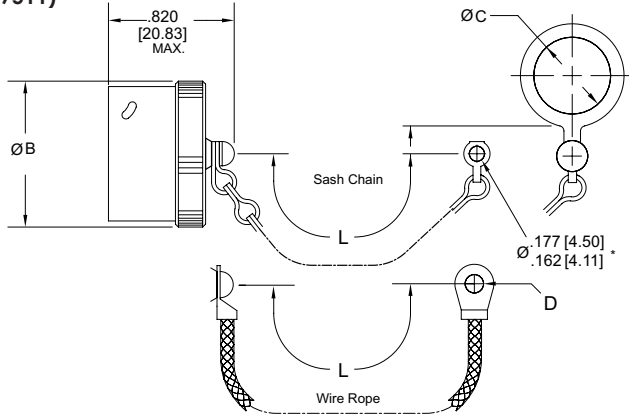
### DCP08 Dust Cap for Plug (MS27510)



SHELL SIZE	A MAX.	B MAX.	L + .500 [12.70] - .250 [6.35]
8	.474 [12.04]	.719 [18.26]	3.00 [76.20]
10	.591 [15.01]	.844 [21.44]	3.00 [76.20]
12	.751 [19.08]	1.000 [25.40]	3.50 [88.90]
14	.876 [22.25]	1.125 [28.57]	3.50 [88.90]
16	1.001 [25.43]	1.250 [31.75]	3.50 [88.90]
18	1.126 [28.60]	1.375 [34.92]	3.50 [88.90]
20	1.251 [31.78]	1.500 [38.10]	4.00 [101.60]
22	1.376 [34.95]	1.625 [41.27]	4.00 [101.60]
24	1.501 [38.13]	1.750 [44.45]	4.00 [101.60]

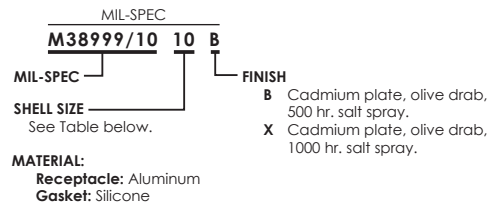
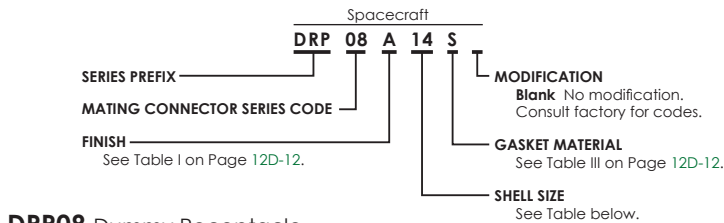
1. Dimensions in brackets [ ] are in millimeters.  
\* .177, .162 dimension only applicable for MS27510.  
For DCR08 caps use end fitting code.

### DCR08 Dust Cap for Receptacle (MS27511)

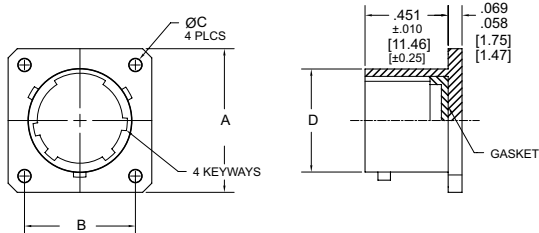


SHELL SIZE	B MAX.	C* MIN.	D MIN.	L + .500 [12.70] - .250 [6.35]
8	.734 [18.64]	.89 [22.61]	.123 [3.12]	3.00 [76.20]
10	.859 [21.82]	1.01 [25.65]	.123 [3.12]	3.00 [76.20]
12	1.000 [25.40]	1.14 [28.96]	.123 [3.12]	3.50 [88.90]
14	1.125 [28.57]	1.26 [32.00]	.123 [3.12]	3.50 [88.90]
16	1.250 [31.75]	1.39 [35.31]	.123 [3.12]	3.50 [88.90]
18	1.375 [34.92]	1.51 [38.35]	.123 [3.12]	3.50 [88.90]
20	1.500 [38.10]	1.64 [41.66]	.123 [3.12]	4.00 [101.60]
22	1.625 [41.27]	1.76 [44.70]	.123 [3.12]	4.00 [101.60]
24	1.750 [44.45]	1.89 [48.01]	.139 [3.53]	4.00 [101.60]

1. Dimensions in brackets [ ] are in millimeters.  
\* .177, .162 and "C" dimensions only applicable for MS27511.  
For DCP08 caps use end fitting code.



### DRP08 Dummy Receptacle (M38999/10)



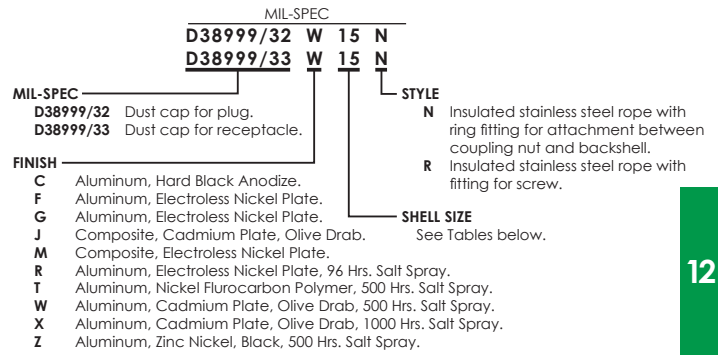
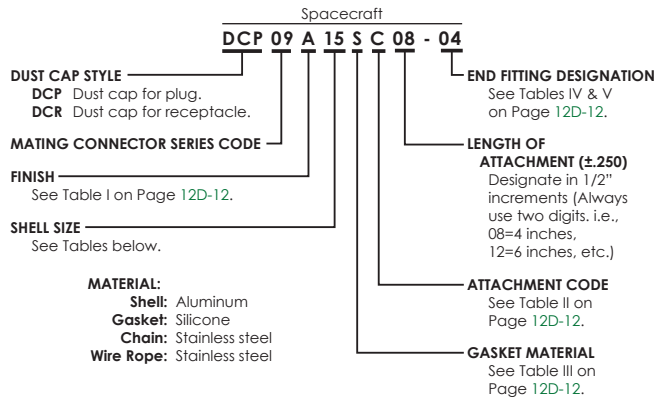
SHELL SIZE	A MAX	B BSC	ØC + .010 -.005 [+0.30] [-0.13]	D + .001 -.005 [+0.03] [-0.13]
8	.828 [21.03]	.594 [15.09]	.120 [3.05]	.473 [12.01]
10	.954 [24.23]	.719 [18.26]	.120 [3.05]	.590 [14.99]
12	1.047 [26.59]	.812 [20.62]	.120 [3.05]	.750 [19.05]
14	1.141 [28.98]	.906 [23.01]	.120 [3.05]	.875 [22.22]
16	1.234 [31.34]	.969 [24.61]	.120 [3.05]	1.000 [25.40]
18	1.328 [33.73]	1.062 [26.97]	.120 [3.05]	1.125 [28.57]
20	1.453 [36.91]	1.156 [29.36]	.120 [3.05]	1.250 [31.75]
22	1.578 [40.08]	1.250 [31.75]	.120 [3.05]	1.375 [34.92]
24	1.703 [43.26]	1.375 [34.92]	.147 [3.73]	1.500 [38.10]

1. Dimensions in brackets [ ] are in millimeters.



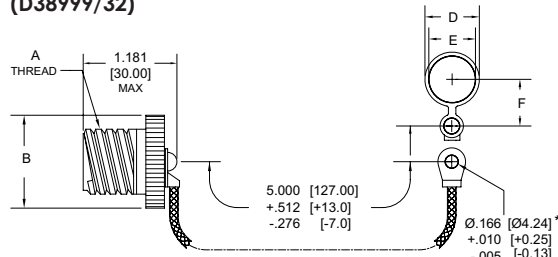
# DUST CAPS & DUMMY RECEPTACLES MIL-DTL-38999 Series III

## DCP09, DCR09 & DRP09



12D

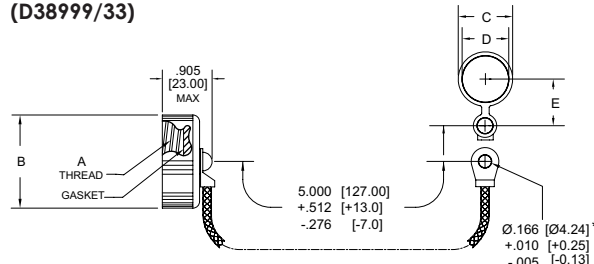
### DCP09 Dust Cap for Plug (D38999/32)



SHELL SIZE	MILITARY SHELL SIZE CODE	A THREAD CLASS 2A	ØB MAX.	ØD* MAX.	ØE* MIN.	F
9	A	.6250-0.1P-0.3L-TS	0.905 [23.0]	0.945 [24.0]	0.512 [13.0]	.945-.571 [24.00-14.50]
11	B	.7500-0.1P-0.3L-TS	1.023 [26.0]	1.063 [27.0]	0.709 [18.0]	.807-.709 [20.50-18.00]
13	C	.8750-0.1P-0.3L-TS	1.220 [31.0]	1.181 [30.0]	0.787 [20.0]	1.083-.787 [27.00-20.00]
15	D	1.0000-0.1P-0.3L-TS	1.299 [33.0]	1.220 [31.0]	0.905 [23.0]	.886-.709 [22.50-18.00]
17	E	1.1875-0.1P-0.3L-TS	1.457 [37.0]	1.457 [37.0]	1.023 [26.0]	1.201-.925 [30.50-23.50]
19	F	1.2500-0.1P-0.3L-TS	1.575 [40.0]	1.575 [40.0]	1.142 [29.0]	1.240-.984 [31.50-25.00]
21	G	1.3750-0.1P-0.3L-TS	1.732 [44.0]	1.732 [44.0]	1.260 [32.0]	1.299-1.043 [33.00-26.50]
23	H	1.5000-0.1P-0.3L-TS	1.811 [46.0]	1.811 [46.0]	1.339 [34.0]	1.339-1.083 [34.00-27.50]
25	J	1.6250-0.1P-0.3L-TS	1.968 [50.0]	1.929 [49.0]	1.535 [39.0]	1.496-1.181 [38.00-30.00]

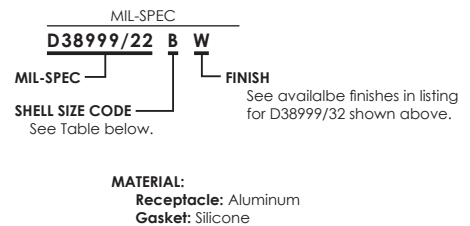
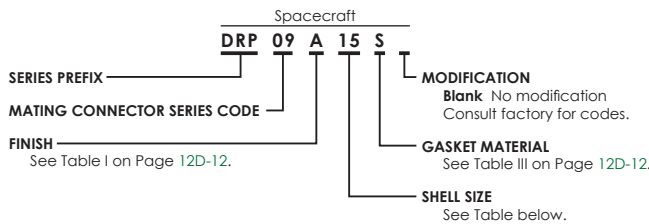
1. Dimensions in brackets [ ] are in millimeters.  
 \* "D" and "E" dimensions only applicable for D38999/32. For DCR09 caps use end fitting code.

### DCR09 Dust Cap for Receptacle (D38999/33)

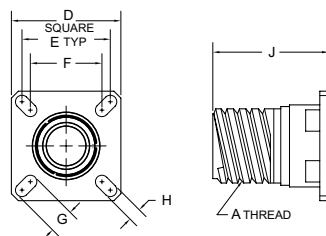


SHELL SIZE	MILITARY SHELL SIZE CODE	A THREAD CLASS 2B	ØB MAX.	ØC* MAX.	ØD* MIN.	E
9	A	.6250-0.1P-0.3L-TS	.905 [23.0]	1.083 [27.0]	.701 [11.80]	.827-.709 [21.00-18.00]
11	B	.7500-0.1P-0.3L-TS	1.102 [28.0]	1.260 [32.0]	.840 [21.35]	.886-.728 [22.50-18.50]
13	C	.8750-0.1P-0.3L-TS	1.220 [31.0]	1.457 [37.0]	1.010 [25.65]	.984-.925 [25.00-23.50]
15	D	1.0000-0.1P-0.3L-TS	1.260 [32.0]	1.575 [40.0]	1.142 [29.00]	1.220-.984 [31.00-25.00]
17	E	1.1875-0.1P-0.3L-TS	1.457 [37.0]	1.732 [44.0]	1.260 [32.00]	1.279-1.043 [32.50-26.50]
19	F	1.2500-0.1P-0.3L-TS	1.535 [39.0]	1.811 [46.0]	1.428 [36.27]	1.339-1.102 [34.00-28.00]
21	G	1.3750-0.1P-0.3L-TS	1.653 [42.0]	1.929 [49.0]	1.506 [38.25]	1.398-1.181 [35.50-30.00]
23	H	1.5000-0.1P-0.3L-TS	1.772 [45.0]	2.126 [54.0]	1.678 [42.62]	1.476-1.240 [37.50-31.50]
25	J	1.6250-0.1P-0.3L-TS	1.929 [49.0]	2.205 [56.0]	1.750 [44.45]	1.535-1.299 [39.00-33.00]

1. Dimensions in brackets [ ] are in millimeters.  
 \* "C" and "D" dimensions only applicable for D38999/33. For DCP09 caps use end fitting code.



### DRP09 Dummy Receptacle (D38999/22)

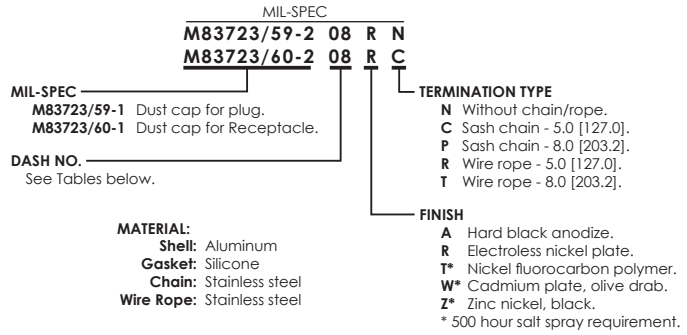
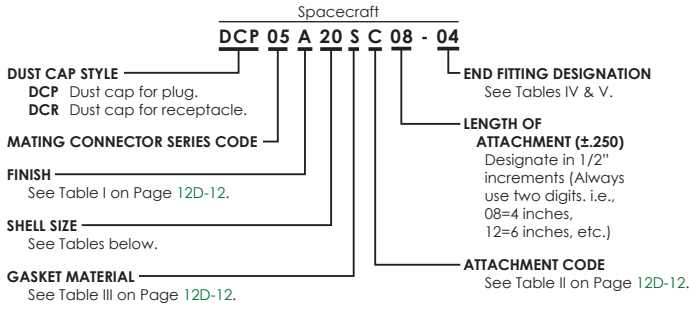


SHELL SIZE	MILITARY SHELL SIZE CODE	A R.H. THREAD	D ±.011 [±0.28]	E BSC	F BSC	G ±.007 [±0.18]	H ±.007 [±0.18]	J +.019 -0.00 [±0.48] [-0.00]
9	A	.625-.01-.03LTS	.937 [23.80]	.718 [18.24]	.594 [15.09]	.218 [5.54]	.129 [3.28]	.822 [20.88]
11	B	.750-.01-.03LTS	1.031 [26.19]	.811 [20.60]	.718 [18.24]	.195 [4.95]	.129 [3.28]	.822 [20.88]
13	C	.875-.01-.03LTS	1.125 [28.57]	.905 [22.99]	.811 [20.60]	.195 [4.95]	.129 [3.28]	.822 [20.88]
15	D	1.000-.01-.03LTS	1.220 [30.99]	.968 [24.59]	.905 [22.99]	.174 [4.42]	.129 [3.28]	.822 [20.88]
17	E	1.188-.01-.03LTS	1.311 [33.30]	1.061 [26.95]	.968 [24.59]	.195 [4.95]	.129 [3.28]	.822 [20.88]
19	F	1.250-.01-.03LTS	1.437 [36.50]	1.155 [29.34]	1.061 [26.95]	.195 [4.95]	.129 [3.28]	.822 [20.88]
21	G	1.375-.01-.03LTS	1.562 [39.67]	1.250 [31.75]	1.155 [29.34]	.195 [4.95]	.129 [3.28]	.791 [20.09]
23	H	1.500-.01-.03LTS	1.688 [42.88]	1.375 [34.92]	1.250 [31.75]	.238 [6.05]	.150 [3.81]	.791 [20.09]
25	J	1.625-.01-.03LTS	1.811 [46.00]	1.500 [38.10]	1.375 [34.92]	.238 [6.05]	.150 [3.81]	.791 [20.09]

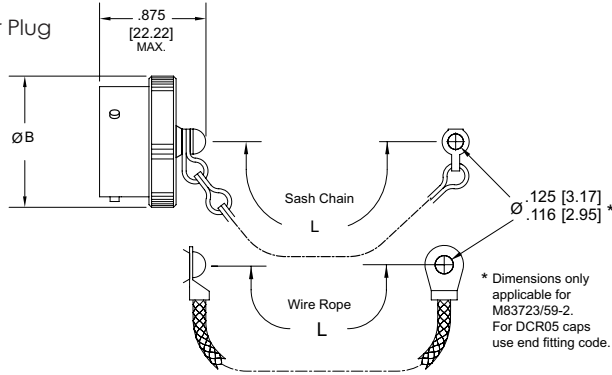
1. Dimensions in brackets [ ] are in millimeters.

# MIL-DTL-83723 Series III Bayonet DUST CAPS & DUMMY RECEIPT.

## DCP05, DCR05 & DRP05



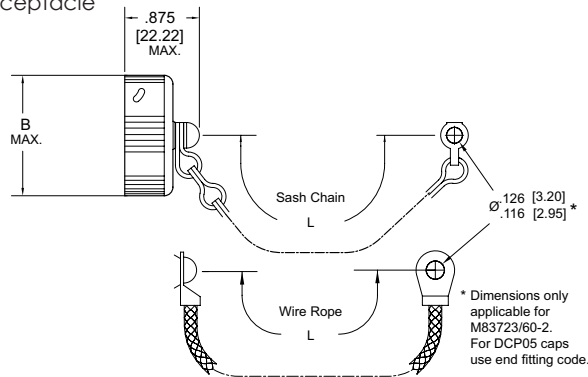
**DCP05 Dust Cap for Plug (M83723/59-2)**



DASH NUMBER	SHELL SIZE	B MAX.	L +.250 CHAIN OR ROPE	
			TYPE C OR R	TYPE P OR T
8	8	.776 [19.71]	5.00 [127.00]	8.00 [203.20]
10	10	.906 [23.01]	5.00 [127.00]	8.00 [203.20]
12	12	1.078 [27.38]	5.00 [127.00]	8.00 [203.20]
14	14	1.141 [28.98]	5.00 [127.00]	8.00 [203.20]
16	16	1.266 [32.16]	5.00 [127.00]	8.00 [203.20]
18	18	1.375 [34.92]	5.00 [127.00]	8.00 [203.20]
20	20	1.510 [38.35]	5.00 [127.00]	8.00 [203.20]
22	22	1.625 [41.27]	5.00 [127.00]	8.00 [203.20]
24	24	1.760 [44.70]	5.00 [127.00]	8.00 [203.20]

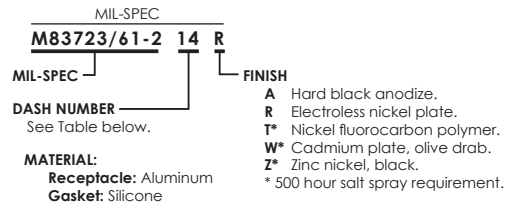
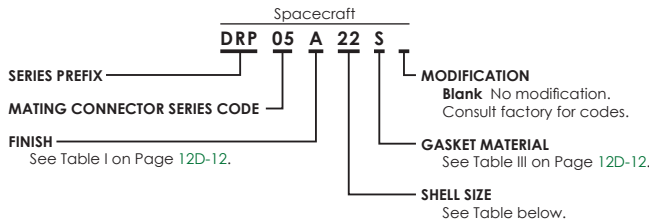
1. Dimensions in brackets [ ] are in millimeters.

**DCR05 Dust Cap for Receptacle (M83723/60-2)**

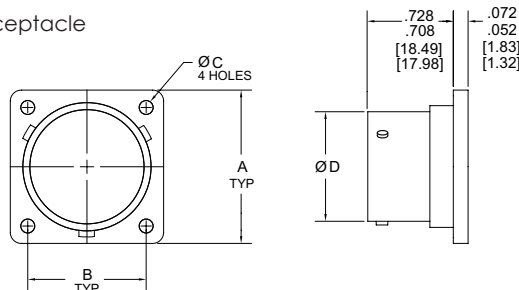


DASH NUMBER	SHELL SIZE	B MAX.	L +.250 CHAIN OR ROPE	
			TYPE C OR R	TYPE P OR T
8	8	.776 [19.71]	5.00 [127.00]	8.00 [203.20]
10	10	.906 [23.01]	5.00 [127.00]	8.00 [203.20]
12	12	1.078 [27.38]	5.00 [127.00]	8.00 [203.20]
14	14	1.141 [28.98]	5.00 [127.00]	8.00 [203.20]
16	16	1.266 [32.16]	5.00 [127.00]	8.00 [203.20]
18	18	1.375 [34.92]	5.00 [127.00]	8.00 [203.20]
20	20	1.510 [38.35]	5.00 [127.00]	8.00 [203.20]
22	22	1.625 [41.27]	5.00 [127.00]	8.00 [203.20]
24	24	1.760 [44.70]	5.00 [127.00]	8.00 [203.20]

1. Dimensions in brackets [ ] are in millimeters.



**DRP05 Dummy Receptacle (M83723/61-2)**



DASH NO.	SHELL SIZE	A	B +.000 [0.00] - .009 [0.23]	C +.000 [0.00] - .009 [0.23]	ØD +.005 [0.13] - .000 [0.00]
8	8	.812 [20.62]	.594 [15.09]	.125 [3.17]	.562 [14.27]
10	10	.937 [23.80]	.719 [18.26]	.125 [3.17]	.696 [17.68]
12	12	1.031 [26.19]	.812 [20.62]	.125 [3.17]	.875 [22.22]
14	14	1.125 [28.57]	.906 [23.01]	.125 [3.17]	.935 [23.75]
16	16	1.250 [31.75]	.969 [24.61]	.125 [3.17]	1.062 [26.97]
18	18	1.343 [34.11]	1.062 [26.97]	.125 [3.17]	1.187 [30.15]
20	20	1.437 [36.50]	1.156 [29.36]	.125 [3.17]	1.312 [33.32]
22	22	1.562 [39.67]	1.250 [31.75]	.125 [3.17]	1.437 [36.50]
24	24	1.703 [43.26]	1.375 [34.92]	.154 [3.91]	1.562 [39.67]

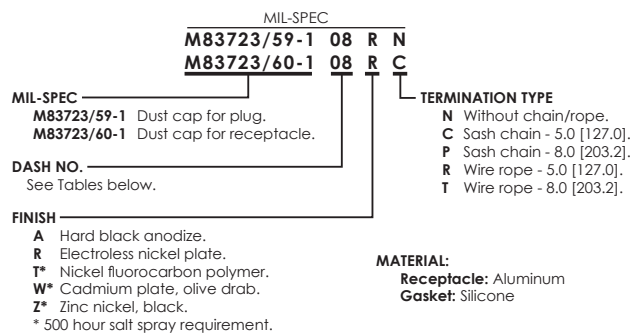
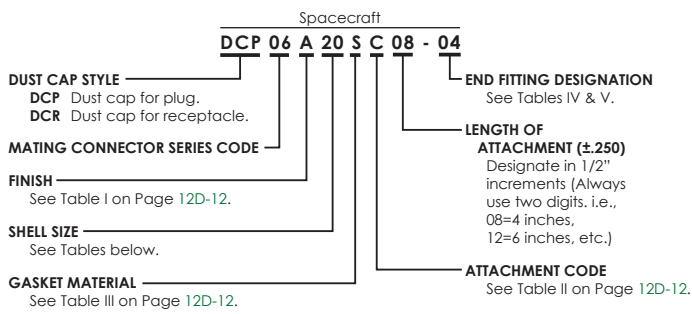
1. Dimensions in brackets [ ] are in millimeters.





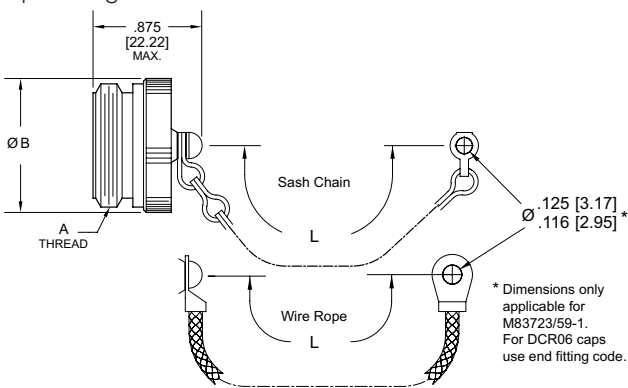
# DUST CAPS & DUMMY RECEPT. MIL-DTL-83723 Series III Threaded

## DCP06, DCR06 & DRP06



12D

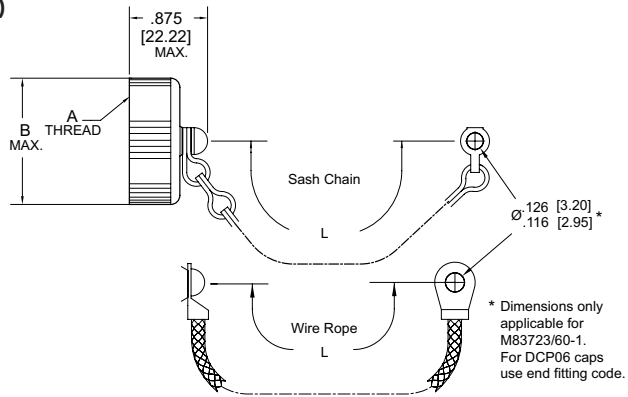
### DCP06 Dust Cap for Plug (M83723/59-1)



DASH NUMBER	SHELL SIZE	A THREAD CLASS 2 UNEF	B MAX.	L	
				TYPE C OR R	TYPE P OR T
8	8	.562-24	.776 [19.71]	5.00 [127.00]	8.00 [203.20]
10	10	.688-24	.906 [23.01]	5.00 [127.00]	8.00 [203.20]
12	12	.875-20	1.078 [27.38]	5.00 [127.00]	8.00 [203.20]
14	14	.938-20	1.141 [28.98]	5.00 [127.00]	8.00 [203.20]
16	16	1.062-18	1.266 [32.16]	5.00 [127.00]	8.00 [203.20]
18	18	1.188-18	1.375 [34.92]	5.00 [127.00]	8.00 [203.20]
20	20	1.312-18	1.510 [38.35]	5.00 [127.00]	8.00 [203.20]
22	22	1.438-18	1.625 [41.27]	5.00 [127.00]	8.00 [203.20]
24	24	1.562-18	1.760 [44.70]	5.00 [127.00]	8.00 [203.20]

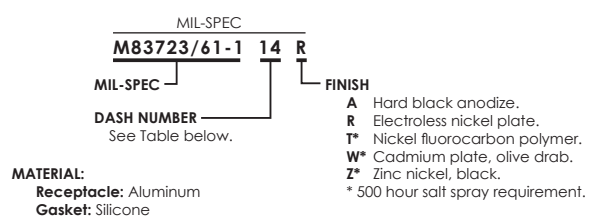
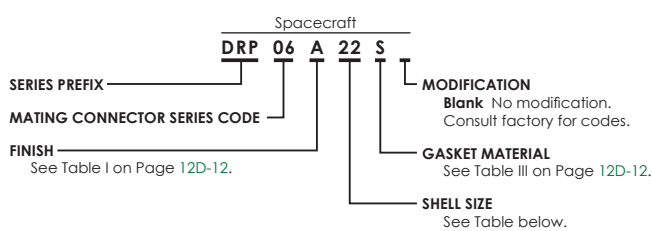
1. Dimensions in brackets [ ] are in millimeters.

### DCR06 Dust Cap for Receptacle (M83723/60-1)

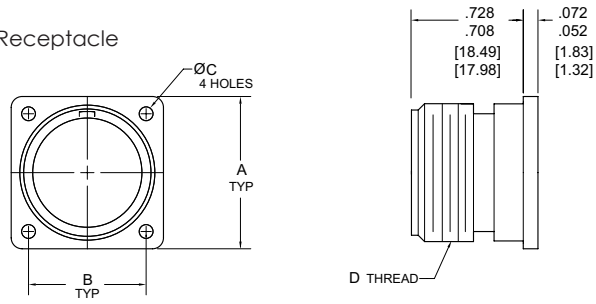


DASH NUMBER	SHELL SIZE	A THREAD CLASS 2 UNEF	B MAX.	L	
				TYPE C OR R	TYPE P OR T
8	8	.562-24	.776 [19.71]	5.00 [127.00]	8.00 [203.20]
10	10	.688-24	.906 [23.01]	5.00 [127.00]	8.00 [203.20]
12	12	.875-20	1.078 [27.38]	5.00 [127.00]	8.00 [203.20]
14	14	.938-20	1.141 [28.98]	5.00 [127.00]	8.00 [203.20]
16	16	1.062-18	1.266 [32.16]	5.00 [127.00]	8.00 [203.20]
18	18	1.188-18	1.375 [34.92]	5.00 [127.00]	8.00 [203.20]
20	20	1.312-18	1.510 [38.35]	5.00 [127.00]	8.00 [203.20]
22	22	1.438-18	1.625 [41.27]	5.00 [127.00]	8.00 [203.20]
24	24	1.562-18	1.760 [44.70]	5.00 [127.00]	8.00 [203.20]

1. Dimensions in brackets [ ] are in millimeters.



### DRP06 Dummy Receptacle (M83723/61-1)

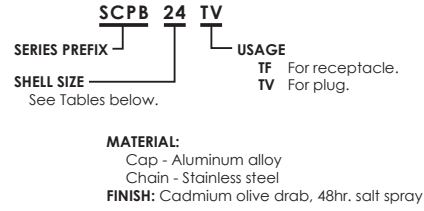
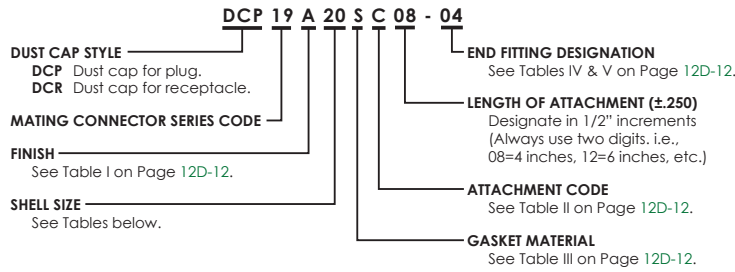


DASH NO.	SHELL SIZE	A	B	C	D
			+.000 [0.00] -.009 [0.23]	+.000 [0.00] -.009 [0.23]	THREAD UNEF-2A
8	8	.812 [20.62]	.594 [15.09]	.125 [3.17]	.562-24
10	10	.937 [23.80]	.719 [18.26]	.125 [3.17]	.687-24
12	12	1.031 [26.19]	.812 [20.62]	.125 [3.17]	.875-20
14	14	1.125 [28.57]	.906 [23.01]	.125 [3.17]	.937-20
16	16	1.250 [31.75]	.969 [24.61]	.125 [3.17]	1.062-18
18	18	1.343 [34.11]	1.062 [26.97]	.125 [3.17]	1.187-18
20	20	1.437 [36.50]	1.156 [29.36]	.125 [3.17]	1.312-18
22	22	1.562 [39.67]	1.250 [31.75]	.125 [3.17]	1.437-18
24	24	1.703 [43.26]	1.375 [34.92]	.154 [3.91]	1.562-18

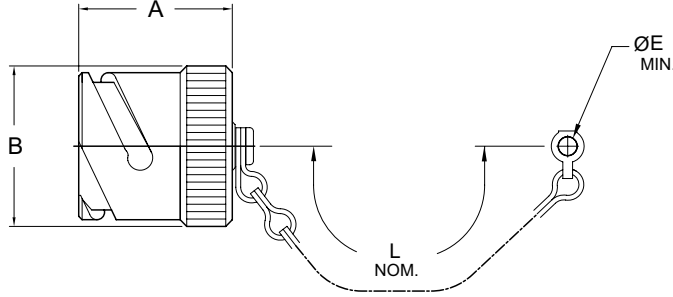
1. Dimensions in brackets [ ] are in millimeters.

# REVERSE BAYONET COUPLING CONNECTORS

## DCP19, DCR19 & DRP19 – DUST CAPS & DUMMY RECEPTACLES



### DCP19 Dust Cap for Plug (SCP B\*TV)

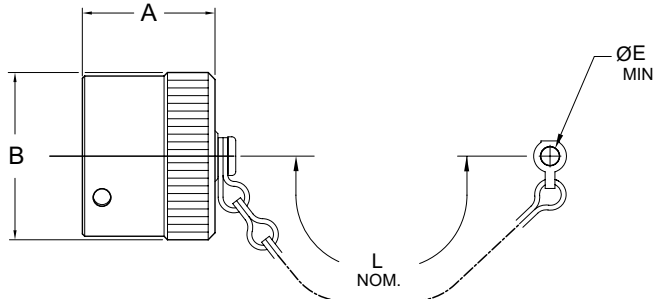


FOR PLUGS SCPB 06, 08, 064, 065

SHELL SIZE	A MAX.	B MAX.	E +0.5 -0.25	L APPROX.
10SL	1.142 [29.0]	.827 [21.0]	.173 [4.4]	4.252 [108]
12S	1.142 [29.0]	.930 [23.6]	.173 [4.4]	4.252 [108]
14S	1.142 [29.0]	1.083 [27.5]	.173 [4.4]	4.843 [123]
16S	1.142 [29.0]	1.181 [30.0]	.173 [4.4]	4.843 [123]
16	1.457 [37.0]	1.181 [30.0]	.173 [4.4]	4.843 [123]
18	1.457 [37.0]	1.319 [33.5]	.173 [4.4]	4.843 [123]
20	1.457 [37.0]	1.457 [37.0]	.189 [4.8]	5.433 [138]
22	1.457 [37.0]	1.575 [40.0]	.189 [4.8]	5.433 [138]
24	1.457 [37.0]	1.713 [43.5]	.189 [4.8]	5.433 [138]
28	1.457 [37.0]	1.949 [49.5]	.189 [4.8]	8.110 [206]
32	1.457 [37.0]	2.205 [56.0]	.220 [5.6]	8.110 [206]
36	1.457 [37.0]	2.461 [62.5]	.220 [5.6]	8.110 [206]
40	1.457 [37.0]	2.665 [67.7]	.220 [5.6]	8.110 [206]

1. Dimensions in brackets [ ] are in millimeters.

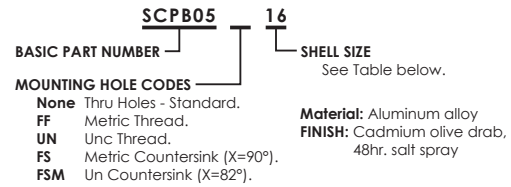
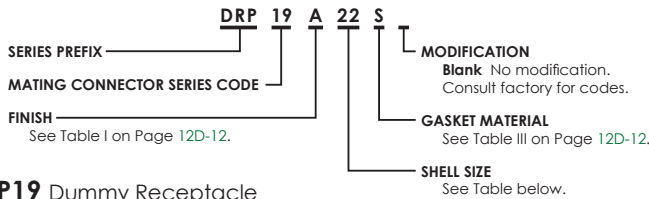
### DCR19 Dust Cap for Receptacle (SCP B\*TF)



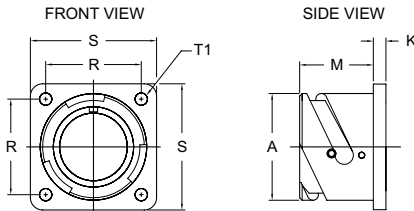
FOR RECEPTACLES  
SCP B 00, 01 02, 03, 020, 030, 038, 07, 070, TB

SHELL SIZE	A MAX.	B MAX.	E +0.5 -0.25	L APPROX.
10SL	.787 [20.0]	.925 [23.5]	.173 [4.4]	4.252 [108]
12S	.787 [20.0]	1.030 [26.2]	.173 [4.4]	4.252 [108]
14S	.787 [20.0]	1.201 [30.5]	.173 [4.4]	4.252 [108]
16S	.787 [20.0]	1.299 [33.0]	.173 [4.4]	4.252 [108]
16	.984 [25.0]	1.299 [33.0]	.173 [4.4]	4.843 [123]
18	.984 [25.0]	1.476 [37.5]	.173 [4.4]	4.843 [123]
20	.984 [25.0]	1.614 [41.0]	.173 [4.4]	4.843 [123]
22	.984 [25.0]	1.732 [44.0]	.173 [4.4]	4.843 [123]
24	.984 [25.0]	1.870 [47.5]	.173 [4.4]	4.843 [123]
28	.984 [25.0]	2.146 [54.5]	.220 [5.6]	8.110 [206]
32	.984 [25.0]	2.402 [61.0]	.220 [5.6]	8.110 [206]
36	.984 [25.0]	2.657 [67.5]	.220 [5.6]	8.110 [206]
40	.984 [25.0]	2.874 [73.0]	.220 [5.6]	8.110 [206]

1. Dimensions in brackets [ ] are in millimeters.

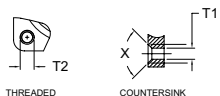


### DRP19 Dummy Receptacle (SCP B05)



ENVIRONMENTAL WHEN USED WITH A FLANGE SEALING GASKET SCP36675 OR SCP4050

MOUNTING HOLE OPTIONS



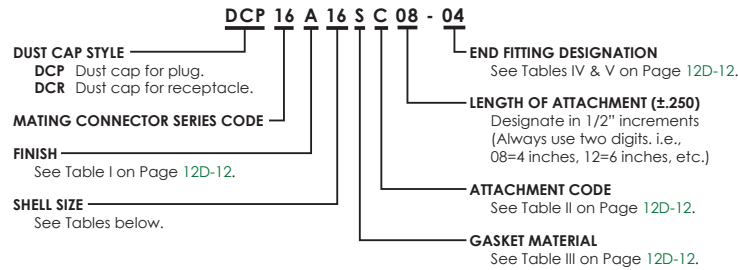
SHELL SIZE	FRONT VIEW				SIDE VIEW			
	R ±0.1	S ±0.3	T1 +0.1 -0.0	T2 THREAD		A +0.00 -0.15	K ±0.2	M +0.4 -0.0
				METRIC	UNC			
10SL	.717 [18.2]	1.000 [25.4]	.126 [3.2]	M4	8-32UNC	.717 [18.2]	.110 [2.8]	.559 [14.2]
12S	.809 [20.6]	1.125 [28.6]	.126 [3.2]	M4	8-32UNC	.836 [21.2]	.110 [2.8]	.559 [14.2]
14S	.906 [23.0]	1.181 [30.0]	.126 [3.2]	M4	8-32UNC	.969 [24.6]	.126 [3.2]	.559 [14.2]
16S	.969 [24.6]	1.280 [32.5]	.126 [3.2]	M4	8-32UNC	1.079 [27.4]	.126 [3.2]	.559 [14.2]
16	.969 [24.6]	1.280 [32.5]	.126 [3.2]	M4	8-32UNC	1.079 [27.4]	.126 [3.2]	.748 [19.0]
18	1.063 [27.0]	1.378 [35.0]	.126 [3.2]	M4	8-32UNC	1.213 [30.8]	.157 [4.0]	.748 [19.0]
20	1.157 [29.4]	1.496 [38.0]	.126 [3.2]	M4	8-32UNC	1.346 [34.2]	.157 [4.0]	.748 [19.0]
22	1.252 [31.8]	1.614 [41.0]	.126 [3.2]	M4	8-32UNC	1.472 [37.4]	.157 [4.0]	.748 [19.0]
24	1.374 [34.9]	1.752 [44.5]	.146 [3.7]	M4	10-24UNC	1.610 [40.9]	.157 [4.0]	.811 [20.6]
28	1.563 [39.7]	2.000 [50.8]	.146 [3.7]	M5	10-24UNC	1.839 [46.7]	.157 [4.0]	.811 [20.6]
32	1.752 [44.5]	2.244 [57.0]	.169 [4.3]	M5	1/4-20UNC	2.102 [53.4]	.157 [4.0]	.874 [22.2]
36	1.937 [49.2]	2.500 [63.5]	.169 [4.3]	M5	1/4-20UNC	2.346 [59.6]	.157 [4.0]	.874 [22.2]
40	2.185 [55.5]	2.748 [69.8]	.169 [4.3]	M5	1/4-20UNC	2.579 [65.5]	.157 [4.0]	.874 [22.2]

1. Dimensions in brackets [ ] are in millimeters.

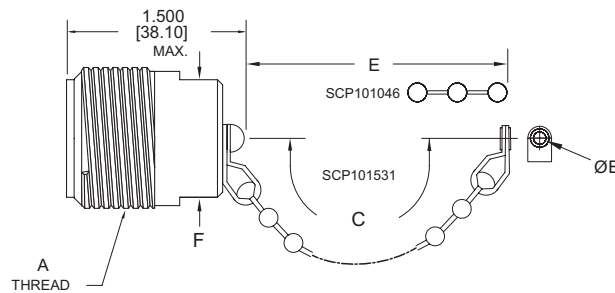


# DUST CAPS & DUMMY RECEPTACLES AMPHENOL QWL **SWL Series**

## DCP16, DCR16 & DRP16



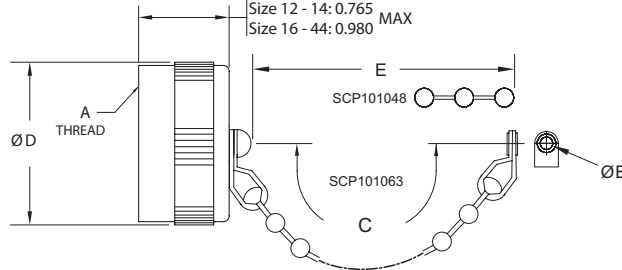
### DCP16 Dust Cap for Plug (SCP101048/SCP101063)



SHELL SIZE	A THREAD CLASS 2A	B DIA +.010 -.000	ØC APPROX	ØD DIA MAX	E APPROX
10	.6250-0.05P-0.1L-DS	.140 [3.56]	3.000 [76.20]	.844 [21.44]	3.375 [85.73]
12	.7500-0.1P-0.2L-DS	.140 [3.56]	3.500 [88.90]	.969 [24.61]	3.875 [98.43]
14	.8750-0.1P-0.2L-DS	.140 [3.56]	3.500 [88.90]	1.094 [27.79]	3.875 [98.43]
16	1.0000-0.1P-0.2L-DS	.140 [3.56]	3.500 [88.90]	1.219 [30.96]	3.875 [98.43]
18	1.1250-0.1P-0.2L-DS	.193 [4.90]	3.500 [88.90]	1.344 [34.14]	4.000 [101.60]
20	1.2500-0.1P-0.2L-DS	.193 [4.90]	4.000 [101.60]	1.469 [37.31]	4.500 [114.30]
22	1.3750-0.1P-0.2L-DS	.193 [4.90]	4.000 [101.60]	1.562 [39.67]	4.500 [114.30]
24	1.5000-0.1P-0.2L-DS	.193 [4.90]	4.500 [114.30]	1.688 [42.88]	5.000 [127.00]
28	1.7500-0.1P-0.2L-DS	.193 [4.90]	4.500 [114.30]	1.938 [49.23]	5.000 [127.00]
32	2.0000-0.1P-0.2L-DS	.193 [4.90]	5.000 [127.00]	2.219 [56.36]	5.500 [139.70]
36	2.2500-0.1P-0.2L-DS	.193 [4.90]	5.000 [127.00]	2.469 [62.71]	5.500 [139.70]
40	2.5000-0.1P-0.2L-DS	.193 [4.90]	5.000 [127.00]	2.719 [69.06]	5.500 [139.70]
44	2.7500-0.1P-0.2L-DS	.193 [4.90]	6.000 [152.40]	2.969 [75.41]	6.000 [152.40]
48	3.0000-0.1P-0.2L-DS	.193 [4.90]	6.000 [152.40]	3.219 [81.76]	6.000 [152.40]

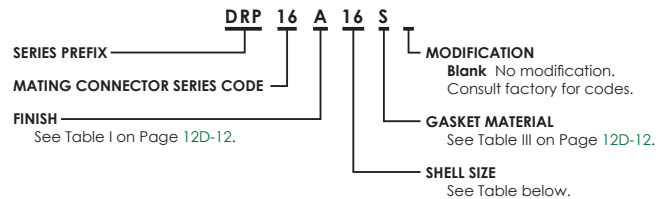
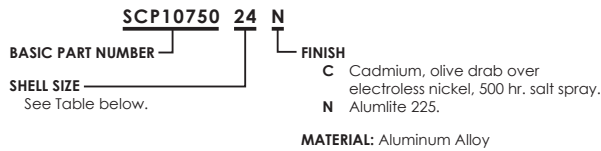
1. Dimensions in brackets [ ] are in millimeters.

### DCR16 Dust Cap for Receptacle (SCP101046/SCP101531)

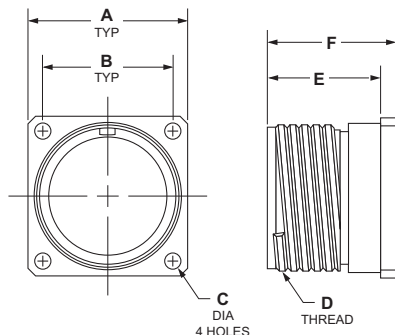


SHELL SIZE	A THREAD CLASS 2A	B DIA +.010 -.000	C APPROX	E APPROX	F ±.010 FLAT
10	.6250-0.05P-0.1L-DS	.125 [3.18]	3.000 [76.20]	3.375 [85.73]	.500 [12.70]
12	.7500-0.1P-0.2L-DS	.125 [3.18]	3.500 [88.90]	3.875 [98.43]	.625 [15.88]
14	.8750-0.1P-0.2L-DS	.125 [3.18]	3.500 [88.90]	3.875 [98.43]	.750 [19.05]
16	1.0000-0.1P-0.2L-DS	.140 [3.56]	3.500 [88.90]	3.875 [98.43]	.875 [22.23]
18	1.1250-0.1P-0.2L-DS	.140 [3.56]	3.500 [88.90]	4.000 [101.60]	1.000 [25.40]
20	1.2500-0.1P-0.2L-DS	.193 [4.90]	4.000 [101.60]	4.500 [114.30]	1.062 [26.97]
22	1.3750-0.1P-0.2L-DS	.193 [4.90]	4.000 [101.60]	4.500 [114.30]	1.125 [28.58]
24	1.5000-0.1P-0.2L-DS	.193 [4.90]	4.500 [114.30]	5.000 [127.00]	1.250 [31.75]
28	1.7500-0.1P-0.2L-DS	.193 [4.90]	4.500 [114.30]	5.000 [127.00]	1.500 [38.10]
32	2.0000-0.1P-0.2L-DS	.193 [4.90]	5.000 [127.00]	5.500 [139.70]	1.750 [44.45]
36	2.2500-0.1P-0.2L-DS	.193 [4.90]	5.000 [127.00]	5.500 [139.70]	2.000 [50.80]
40	2.5000-0.1P-0.2L-DS	.193 [4.90]	5.000 [127.00]	5.500 [139.70]	2.250 [57.15]
44	2.7500-0.1P-0.2L-DS	.193 [4.90]	6.000 [152.40]	6.000 [152.40]	2.500 [63.50]
48	3.0000-0.1P-0.2L-DS	.193 [4.90]	6.000 [152.40]	6.000 [152.40]	2.750 [69.85]

1. Dimensions in brackets [ ] are in millimeters.



### DRP16 Dummy Receptacle (SCP10750)



Shell Size	A +.021 -.020	B	C ±.005	D Thread Class 2A	E +.010 -.000	F +.021 -.010
10	1.000 [25.40]	.719 [18.26]	.150 [3.81]	.6250-0.05P-0.1L-DS	.609 [15.47]	.751 [19.08]
12	1.094 [27.79]	.812 [20.62]	.150 [3.81]	.7500-0.1P-0.2L-DS	.609 [15.47]	.750 [19.05]
14	1.188 [30.18]	.906 [23.01]	.150 [3.81]	.8750-0.1P-0.2L-DS	.797 [20.24]	.938 [23.83]
16	1.281 [32.54]	.969 [24.61]	.150 [3.81]	1.000-0.1P-0.2L-DS	.797 [20.24]	.938 [23.83]
18	1.375 [34.93]	1.062 [26.97]	.177 [4.50]	1.1250-0.1P-0.2L-DS	.797 [20.24]	.938 [23.83]
20	1.500 [38.10]	1.156 [29.36]	.177 [4.50]	1.2500-0.1P-0.2L-DS	.797 [20.24]	.953 [24.21]
22	1.625 [41.28]	1.250 [31.75]	.177 [4.50]	1.3750-0.1P-0.2L-DS	.797 [20.24]	.953 [24.21]
24	1.750 [44.45]	1.375 [34.93]	.177 [4.50]	1.5000-0.1P-0.2L-DS	.797 [20.24]	.953 [24.21]
28	2.000 [50.80]	1.562 [39.67]	.177 [4.50]	1.7500-0.1P-0.2L-DS	.859 [21.82]	1.047 [26.59]
32	2.250 [57.15]	1.750 [44.45]	.177 [4.50]	2.0000-0.1P-0.2L-DS	.859 [21.82]	1.047 [26.59]
36	2.500 [63.50]	1.938 [49.23]	.209 [5.31]	2.2500-0.1P-0.2L-DS	.922 [23.42]	1.110 [28.19]
40	2.750 [69.85]	2.188 [55.58]	.209 [5.31]	2.5000-0.1P-0.2L-DS	.922 [23.42]	1.110 [28.19]
44	3.000 [76.20]	2.375 [60.33]	.209 [5.31]	2.7500-0.1P-0.2L-DS	.922 [23.42]	1.110 [28.19]
48	3.250 [82.55]	2.625 [66.68]	.209 [5.31]	3.0000-0.1P-0.2L-DS	.922 [23.42]	1.109 [28.17]

1. Dimensions in brackets [ ] are in millimeters.

# DUST CAPS & DUMMY RECEPTACLES

## FINISH, ATTACHMENT & GASKET CODES

**TABLE I. FINISH CODES**  
CONSULT FACTORY FOR OTHER AVAILABLE FINISHES

Spacecraft Code	Finish	Specification(s)
H	Anodize, Black	AMS-A-8625, Type II, Class 2
B	Cadmium Plate, Black	AMS-QQ-P-416, Type II, Class 3
X	Cadmium Plate, Bright Over Electroless Nickel	AMS-QQ-P-416, Type I, Class 3 ASTMB 733-90, SC2, Type I, Class 5 over AMS-C-26074, Class 4, Grade B
E	Cadmium Plate, Gold Iridite, Over Electroless Nickel	MIL-C-5541, Class 3 AMS-QQ-P-416, Type II, Class 3 over AMS-C-26074, Class 4, Grade B
C	Cadmium Plate, Olive Drab	AMS-QQ-P-416, Type II, Class 3, 48 Hours
A	Cadmium Plate, Olive Drab Over Electroless Nickel	1000 Hour Corrosion Resistance
N	Electroless Nickel	AMS-C-26074, Class 4, Grade B
L	Zinc Cobalt, Dark Olive Drab	96 Hour Corrosion Resistance
P	Passivated, Stainless Steel	AMS-QQ-P-35
T	Nickel, Fluorocarbon Polymer	500 Hour Corrosion Resistance
W	Zinc Nickel, Black	ASTM B841 Type D

**TABLE II. ATTACHMENT CODES**

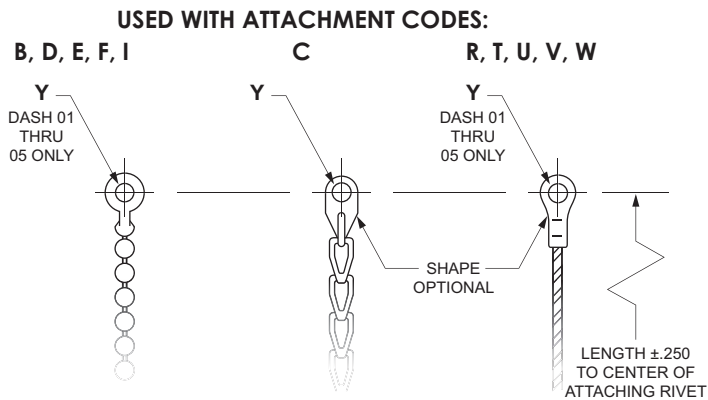
Attachment Code	Description
A	No Attachment Required
B	Bead Chain, Brass, Nickel Plated
C	Sash Chain, SST, Passivated
D	Bead Chain, SST, Passivated
E	Bead Chain, Brass, Cadmium, Olive Drab Plated
F	Bead Chain, Brass, Unfinished
I	Bead Chain, Brass, Black Oxide Finish
N	Wire Rope, No Jacket
P	Wire Rope, Polyurethane Jacket with Terminal
R	Wire Rope, SST, PVC Covered, Green Color
T	Wire Rope, SST, Teflon Covered, Natural Cover
U	Wire Rope, SST, Nylon Covered, Brown Color
V	Wire Rope, SST, Viton Covered, Black Color
W	Nylon Cord, Green Color, SST Terminal

**TABLE III. GASKET MATERIAL CODES**

Material Code	Material Description
A	Fluorosilicone, Blue
N	Neoprene, Black, MIL-R-3065
O	None Required
S	Silicone, Red, ZZ-R-765
C	Conductive Silicone

**TABLE IV. EYELET END FITTING STYLES AND SIZES**  
(NOT USED WITH ATTACHMENT CODE A)

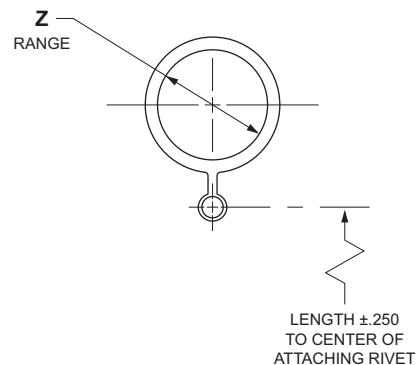
Dash No. Code	Y Ref. Dia.
00	No Eyelet
01	.125
02	.141
03	.167
04	.188
05	.219
06	.250
07	.156
08	.121



**TABLE V. RING END FITTING SIZES**  
(NOT USED WITH ATTACHMENT CODE A)

Z RANGE	DASH NO. CODE	Z RANGE	DASH NO. CODE	Z RANGE	DASH NO. CODE
.401 - .391	33	1.072 - 1.052	15	2.088 - 2.078	24
.454 - .444	34	1.198 - 1.178	16	2.151 - 2.141	25
.464 - .454	35	1.322 - 1.302	17	2.276 - 2.266	26
.526 - .516	36	1.448 - 1.428	18	2.338 - 2.328	27
.604 - .584	11	1.572 - 1.552	19	2.401 - 2.391	28
.651 - .641	37	1.698 - 1.678	20	2.526 - 2.516	29
.729 - .709	12	1.822 - 1.802	21	2.651 - 2.641	30
.885 - .865	13	1.948 - 1.928	22	2.901 - 2.891	31
.948 - .918	14	2.026 - 2.016	23	3.026 - 3.016	32

**USED WITH ATTACHMENT CODES:**  
**B THRU W**



# SECTION 13D

## GASKETS FOR FLANGE-MOUNT RECEPTACLES

13D

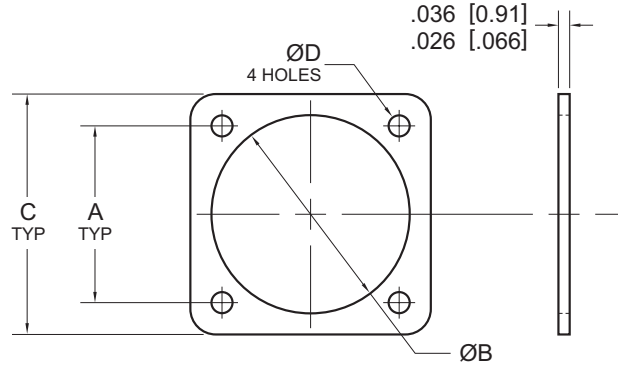


# GASKETS FOR FLANGE MOUNT RECEPTACLES

## 930 SERIES

**M85049/130 - 06 N**  
**MILITARY SPEC**      **COLOR & MATERIAL**  
**DASH NUMBER**      See Table Below

**930 - 0892 - XXX**  
**SERIES**      **COLOR & MATERIAL**  
**SHELL SIZE & DIMENSIONS**      See Table Below



SUFFIX CODES		MATERIAL	SPECIFICATION	GRADE	TYPE	DUROMETER	COLOR
M85049/130-	930 SERIES						
N	000	Neoprene	AMS3208	60	-	50 ±5	Black
-	010	Conductive Neoprene	None (Obsolete, use Silicone per MIL-DTL83528 designator 643)				
V	032	Viton	MIL-R-83248	-	II	75 ±5	Black
S	242	Silicone	AA-59588	50	-	50 ±5	Red
M	643	Conductive Silicone Silver Filled	MIL-DTL-83528	-	B	65	Blue
F	651	Fluorosilicone	MIL-DTL-25988	60	II	60	Blue
C	844	Conductive-Silicone w/ Monel Mesh, capable of 80 dB at 100 MHz, temperature range -57C to +260C	None	-	-	30	Gray

## Chart Listing by Connector Part Number

Part Number	Chart	Part Number	Chart	Part Number	Chart	Part Number	Chart	Part Number	Chart	Part Number	Chart
AS95234/2	A	M81511/01	G	M83723/38	D	MS3122	D	MS17343	B	MS27613	D
AS95234/4	A	M81511/21	G	M83723/39	D	MS3130	H	MS17346	B	MS27656	F
D38999/20	F	M81511/31	G	M83723/71	D	MS3132	H	MS24264	D	MS27662	F
D38999/40	F	M81511/35	G	M83723/72	D	MS3139	H	MS27466	F	MS27664	D
M28840/10	E	M81511/41	G	M83723/82	D	MS3140	H	MS27472	D	MS90555	C
M28840/12	E	M81511/51	G	M83723/83	D	MS3400	A	MS27479	D	MS90558	C
M28840/20	E	M83723/01	D	MS3100	A	MS3402	A	MS27496	F	NAS1641	D
M28876/1	E	M83723/02	D	MS3102	A	MS3412	A	MS27497	D	NAS1650	D
M28876/2	E	M83723/19	A	MS3103	A	MS3450	A	MS27499	D	NAS1692	D
M28876/3	E	M83723/20	A	MS3110	D	MS3452	A	MS27504	D	NAS1699	D
M28876/4	E	M83723/21	A	MS3112	D	MS3470	D	MS27508	D		
M28876/26	E	M83723/22	A	MS3120	D	MS3472	D	MS27513	D		

### Chart A AS50151

#### REVERSE BAYONET – FRONT PANEL MOUNT

Connectors	Shell Size	M85049/130-	Part No.	A ±.015	B +.020 - .000	C ±.015	D ±.010
AS95234/2 AS95234/4 M83723/19 M83723/20 M83723/21 M83723/22 MS3100 MS3102 MS3103 MS3400 MS3402 MS3412 MS3450 MS3452	8S	02	930-0893-*	.594	.500	.875	.156
	10S, 10SL	05	930-1093-*	.719	.625	1.000	.156
	12, 12S	09	930-1293-*	.812	.750	1.094	.141
	14, 14S	13	930-1493-*	.906	.875	1.188	.156
	16, 16S	16	930-1693-*	.969	1.000	1.281	.156
	18	20	930-1893-*	1.062	1.135	1.375	.156
	20	24	930-2093-*	1.156	1.250	1.500	.177
	22	28	930-2293-*	1.250	1.375	1.625	.177
	24	32	930-2490-*	1.375	1.500	1.750	.203
	28	36	930-2890-*	1.562	1.750	2.000	.203
32	40	930-3290-*	1.750	2.000	2.250	.219	
36	42	930-3693-*	1.938	2.250	2.500	.219	
40	43	930-4093-*	2.188	2.500	2.750	.219	
44	44	930-4493-*	2.375	2.781	3.000	.219	
48	46	930-4893-*	2.625	3.031	3.250	.219	

\* Color & Material to be selected.

### Chart B

#### MIL-DTL-22992 Class C, J, R

Connectors	Shell Size	M85049/130-	Part No.	A	B	C	D
MS17343 MS17346	12	13	930-1493-*	.906	.874	1.188	.156
	14	16	930-1693-*	.969	1.000	1.281	.156
	16	20	930-1893-*	1.062	1.135	1.375	.156
	18	24	930-2093-*	1.156	1.250	1.500	.177
	20	28	930-2293-*	1.250	1.375	1.625	.177
	22	32	930-2490-*	1.375	1.500	1.750	.203
	24	36	930-2890-*	1.562	1.750	2.000	.203
	28	40	930-3290-*	1.750	2.000	2.250	.219
	32	42	930-3693-*	1.938	2.250	2.500	.219
	36	43	930-4093-*	2.188	2.500	2.750	.219
	40	-	930-4492-*	2.375	2.750	3.000	.219
	44	-	930-4892-*	2.625	3.000	3.250	.219

\* Color & Material to be selected.



# GASKETS FOR FLANGE MOUNT RECEPTACLES

930 SERIES

**Chart D**  
**MIL-DTL-26482, MIL-DTL-26500**  
**MIL-DTL-38999 Series II**  
**MIL-DTL-83723 Series I & III &**  
**NAS1599**

Connectors			Shell Size	Part No.	A ±.015	B +.020 -.000	C ±.015	D ±.010
M83723/01 M83723/02 M83723/38 M83723/39 M83723/71 M83723/72 M83723/82 M83723/83	MS3110	MS27499	8	930-0892-*	.594	.568	.812	.125
	MS3112	MS27504	10	930-1092-*	.719	.680	.937	.125
	MS3120	MS27508	12	930-1292-*	.812	.875	1.060	.141
	MS3122	MS27513	14	930-1492-*	.906	1.005	1.153	.125
	MS3470	MS27613	16	930-1692-*	.969	1.135	1.258	.156
	MS24264	MS27664	18	930-1892-*	1.062	1.260	1.351	.156
	MS27472	NAS1641	20	930-2092-*	1.156	1.375	1.500	.141
	MS27479	NAS1650	22	930-2292-*	1.250	1.500	1.625	.141
	MS27497	NAS1692	24	930-2492-*	1.375	1.625	1.750	.177
		NAS1699						

\* Color & Material to be selected.

**Chart C**  
**MIL-DTL-22992 Class L**

Connectors	Shell Size	Part No.	A ±.015	B +.020 -.000	C ±.015	D ±.010
MS90555 MS90558	28	930-2894-*	1.719	2.000	2.375	.177
	32	930-3294-*	1.906	2.250	2.625	.219
	40	930-4094-*	2.406	2.750	3.125	.281
	44	930-4494-*	2.656	3.000	3.375	.281
	48	930-4894-*	2.906	3.250	3.625	.281
	52	930-5294-*	3.156	3.500	3.875	.281

\* Color & Material to be selected.

**Chart E**  
**MIL-DTL-28840 &**  
**MIL-PRF-28876**

Connectors	Shell Size	Part No.	A ±.015	B +.020 -.000	C ±.015	D ±.010
M28840/10 M28840/12 M28840/20 M28876/1 M28876/2 M28876/3 M28876/4 M28876/20	11	930-1196-*	.750	.750	1.023	.125
	13	930-1395-*	.843	.875	1.138	.125
	15	930-1693-*	.969	1.000	1.281	.156
	17	930-1795-*	1.015	1.125	1.383	.125
	19	930-1995-*	1.140	1.312	1.508	.125
	23	930-2395-*	1.281	1.500	1.718	.125
	25	930-2595-*	1.392	1.625	1.818	.141
	29	930-2995-*	1.568	1.875	2.138	.141
	33	930-3395-*	1.734	2.062	2.328	.177

\* Color & Material to be selected.

**Chart F**  
**MIL-DTL-38999 Series I, III, & IV**

Connectors	Shell Size	Part No.	A	B	C	D
D38999/20 D38999/40 MS27466 MS27496 MS27656 MS27662	9, A	930-1092-*	.719	.680	.937	.125
	11, B	930-1292-*	.812	.875	1.060	.141
	13, C	930-1492-*	.906	1.005	1.153	.125
	15, D	930-1692-*	.969	1.135	1.250	.156
	17, E	930-1892-*	1.062	1.260	1.351	.156
	19, F	930-2092-*	1.156	1.375	1.500	.141
	21, G	930-2292-*	1.250	1.500	1.625	.141
	23, H	930-2492-*	1.375	1.625	1.750	.177
	25, J	930-2599-*	1.500	1.750	1.875	.177

\* Color & Material to be selected.

**Chart G**  
**MIL-C-81511**

Connectors	Shell Size	Part No.	A	B	C	D
M81511/01 M81511/21 M81511/31 M81511/35 M81511/41 M81511/51	8	930-0892-*	.594	.568	.812	.125
	10	930-1092-*	.719	.680	.937	.125
	14	930-1998-*	.906	.938	1.125	.125
	16	930-2798-*	.969	1.063	1.250	.125
	18	930-1899-*	1.062	1.189	1.343	.125
	20	930-2099-*	1.156	1.312	1.467	.125
	22	930-2299-*	1.250	1.437	1.562	.125
	24	930-2499-*	1.375	1.563	1.703	.156

\* Color & Material to be selected.

**Chart H**  
**AS81703 Series 1 & 2**

Connector	Shell Size	Part No.	A	B	C	D
MS3130 MS3132 MS3139 MS3140	3	930-0398-*	.625	.603	.896	.125
	7	930-1092-*	.719	.680	.937	.125
	12	930-1298-*	.812	.828	1.114	.125
	19	930-1998-*	.906	.938	1.125	.125
	27	930-2798-*	.969	1.063	1.250	.125
	37	930-3798-*	1.187	1.266	1.458	.125
	61	930-6198-*	1.436	1.570	1.799	.125

\* Color & Material to be selected.

# GASKETS FOR FLANGE MOUNT RECEPTACLES

## MS51007 & MS52000

For **AS50151, MIL-DTL-22992** Class C, J & R

### ORDERING INFORMATION

**MS51007 - 10**

**MS52000 - 10**

MIL-SPEC

DASH NUMBER

See Table I below.

### MATERIAL:

MS51007 - Neoprene Per MIL-STD-417

MS52000 - Neoprene Per MIL-R-3065

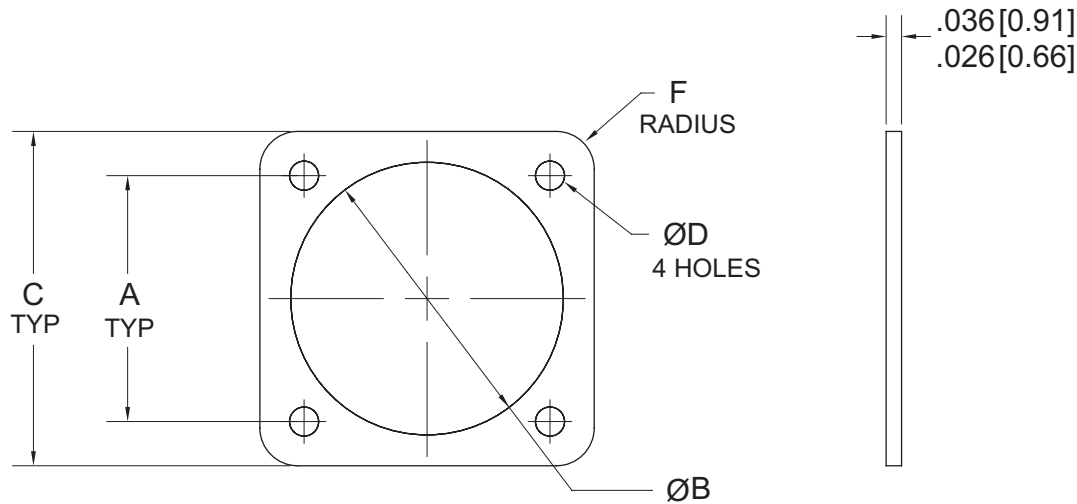


TABLE I

DASH NUMBER	FOR SHELL SIZE		A ±.010 [±0.25]	ØB +.016 -.000 [+0.41 -0.00]	C +.016 -.000 [+0.41 -0.00]	ØD ±.010 [±0.25]	F RADIUS ±.010 [±0.25]	Alternate Part # (see page 13D-2)
	AS50151	MIL-DTL-22992 CLASS C, J&R						
1	8S	-	.594 [15.09]	.500 [12.70]	.875 [22.22]	.172 [4.37]	.141 [3.58]	930-0893-XXX
2	10S & 10SL	-	.719 [18.26]	.625 [15.87]	1.000 [25.40]	.172 [4.37]	.141 [3.58]	930-1093-XXX
3	12 & 12S	-	.812 [20.62]	.750 [19.05]	1.094 [27.79]	.172 [4.37]	.141 [3.58]	930-1293-XXX
4	14 & 14S	12	.906 [23.01]	.875 [22.22]	1.188 [30.18]	.172 [4.37]	.141 [3.58]	930-1493-XXX
5	16 & 16S	14	.969 [24.61]	1.000 [25.40]	1.281 [32.54]	.172 [4.37]	.156 [3.96]	930-1693-XXX
6	18	16	1.062 [26.97]	1.125 [28.57]	1.375 [34.92]	.203 [5.16]	.156 [3.96]	930-1893-XXX
7	20	18	1.156 [29.36]	1.250 [31.75]	1.500 [38.10]	.203 [5.16]	.172 [4.37]	930-2093-XXX
8	22	20	1.250 [31.75]	1.375 [34.92]	1.625 [41.27]	.203 [5.16]	.188 [4.78]	930-2293-XXX
9	24	22	1.375 [34.92]	1.500 [38.10]	1.750 [44.45]	.203 [5.16]	.188 [4.78]	930-2490-XXX
10	28	24	1.562 [39.67]	1.750 [44.45]	2.000 [50.80]	.203 [5.16]	.219 [5.56]	930-2890-XXX
11	28	-	2.188 [55.58]	1.750 [44.45]	2.688 [68.28]	.203 [5.16]	.250 [6.35]	-
12	32	28	1.750 [44.45]	2.000 [50.80]	2.250 [57.15]	.219 [5.56]	.250 [6.35]	930-3290-XXX
13	36	32	1.938 [49.23]	2.188 [55.58]	2.500 [63.50]	.219 [5.56]	.281 [7.14]	930-3693-XXX
14	40	36	2.188 [55.58]	2.438 [61.93]	2.750 [69.85]	.219 [5.56]	.281 [7.14]	930-4093-XXX

Dimensions in brackets [ ] are in millimeters.

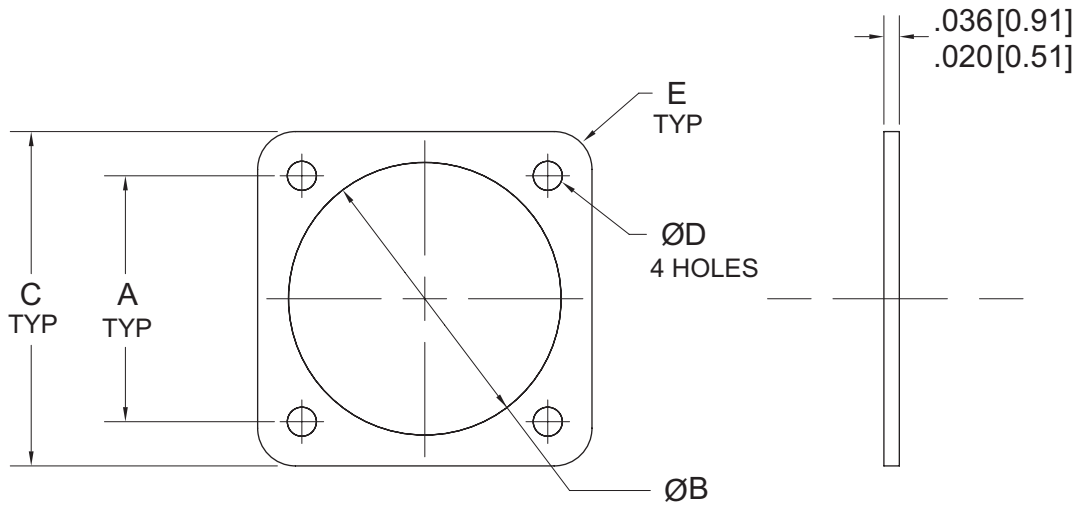
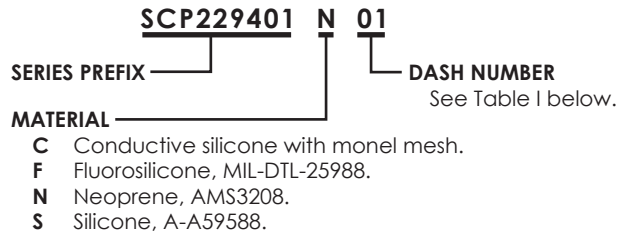


# GASKETS FOR FLANGE MOUNT RECEPTACLES

SCP229401

For SC1\*, SC2\*, SC3\*, SCPDM & SCPT (MIL-DTL-26482, MIL-DTL-38999 All Series, AS81703)

## ORDERING INFORMATION



13D

TABLE I

DASH NO	FOR SHELL SIZE			SAE-AS81703	A ±.005 [0.13]	ØB DIA. ±.007 [0.18]	C ±.008 [0.20]	ØD ±.005 [0.13]	E RAD REF.	Alternate Part # (See page 13D-2)
	MIL-DTL-26482	MIL-DTL-38999 SERIES								
		I & II	III							
01	8	8	—	—	0.594 [15.09]	0.562 [14.27]	0.812 [20.62]	0.125 [3.18]	0.105 [2.67]	930-0892-XXX
02	—	—	—	3	0.625 [15.88]	0.603 [15.32]	0.896 [22.76]	0.125 [3.18]	0.105 [2.67]	930-0398-XXX
03	10	9 & 10	A & 9	7	0.719 [18.26]	0.687 [17.45]	0.937 [23.80]	0.125 [3.18]	0.105 [2.67]	930-1092-XXX
04	12	11 & 12	B & 11	—	0.812 [20.62]	0.772 [19.61]	1.031 [26.19]	0.125 [3.18]	0.105 [2.67]	930-1299-XXX
05	—	—	—	12	0.812 [20.62]	0.828 [21.03]	1.114 [28.30]	0.125 [3.18]	0.105 [2.67]	930-1298-XXX
06	14	13 & 14	C & 13	19	0.906 [23.01]	0.937 [23.80]	1.125 [28.58]	0.125 [3.18]	0.105 [2.67]	930-1998-XXX
07	16	15 & 16	D & 15	27	0.969 [24.61]	1.063 [27.00]	1.250 [31.75]	0.125 [3.18]	0.135 [3.43]	930-2798-XXX
08	18	17 & 18	E & 17	—	1.062 [26.97]	1.187 [30.15]	1.343 [34.11]	0.125 [3.18]	0.135 [3.43]	930-1899-XXX
09	—	—	—	37	1.187 [30.15]	1.266 [32.16]	1.458 [37.03]	0.125 [3.18]	0.135 [3.43]	930-3798-XXX
10	20	19 & 20	F & 19	—	1.156 [29.36]	1.312 [33.32]	1.467 [37.26]	0.125 [3.18]	0.135 [3.43]	930-2099-XXX
11	22	22 & 22	G & 21	—	1.250 [31.75]	1.437 [36.50]	1.562 [39.67]	0.125 [3.18]	0.135 [3.43]	930-2299-XXX
12	24	23 & 24	H & 23	—	1.375 [34.93]	1.562 [39.67]	1.703 [43.26]	0.152 [3.86]	0.135 [3.43]	930-2499-XXX
13	—	—	—	61	1.436 [36.47]	1.570 [39.88]	1.799 [45.69]	0.125 [3.18]	0.135 [3.43]	930-6198-XXX
14	—	—	—	—	1.500 [38.10]	1.600 [40.64]	1.812 [46.02]	0.152 [3.86]	0.135 [3.43]	930-2592-XXX

Dimensions in brackets [ ] are in millimeters.

# GASKETS FOR FLANGE MOUNT RECEPTACLES

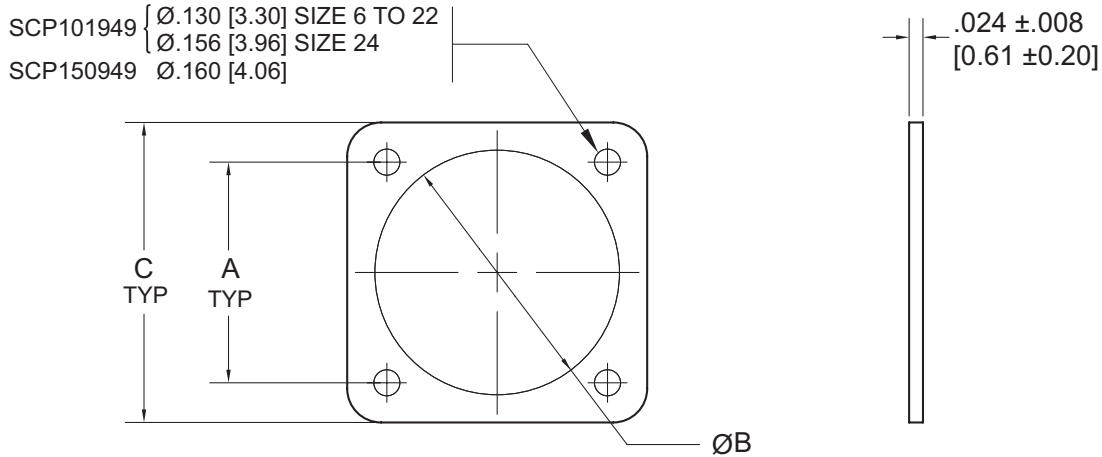
## SCP101949 & SCP150949

For **SCPC & SCPT** Series (MIL-DTL-26482 Series 1 & 2, Bayonet Or Threaded Coupling)

### ORDERING INFORMATION

**SCP101949 - 22**  
 SERIES PREFIX — SHELL SIZE  
 See Table I below.

**SCP150949 - 22**  
 SERIES PREFIX — SHELL SIZE  
 See Table II below.



**MATERIAL:** Buna-N low temperature resilient rubber.

**TABLE I - SCPT SERIES**

SHELL SIZE	A ±.010 [±0.25]	B +.016 -.000 [0.41] [0.00]	C ±.010 [±0.25]	Alternate Part # (See page 13D-2)
6	.469 [11.91]	.375 [9.52]	.688 [17.48]	930-0696-XXX
8	.594 [15.09]	.500 [12.70]	.812 [20.62]	930-0896-XXX
10	.719 [18.26]	.625 [15.88]	.938 [23.83]	930-1096-XXX
12	.813 [20.65]	.750 [19.05]	1.031 [26.19]	930-1296-XXX
14	.906 [23.01]	.875 [22.23]	1.125 [28.58]	930-1496-XXX
16	.969 [24.61]	1.000 [25.40]	1.219 [30.96]	930-1696-XXX
18	1.063 [27.00]	1.125 [28.58]	1.312 [33.32]	930-1896-XXX
20	1.156 [29.36]	1.250 [31.75]	1.438 [36.53]	930-2096-XXX
22	1.250 [31.75]	1.375 [34.93]	1.563 [39.70]	930-2296-XXX
24	1.375 [34.93]	1.500 [38.10]	1.688 [42.88]	930-2496-XXX

Dimensions in brackets [ ] are in millimeters.

**TABLE II - SCPC SERIES**

SHELL SIZE	A ±.010 [±0.25]	B +.016 -.000 [0.41] [0.00]	C ±.010 [±0.25]	Alternate Part # (See page 13D-2)
6	.641 [16.28]	.375 [9.52]	.953 [24.21]	930-0697-XXX
8	.734 [18.64]	.500 [12.70]	1.047 [26.59]	930-0897-XXX
10	.812 [20.62]	.625 [15.88]	1.125 [28.58]	930-1097-XXX
12	.938 [23.83]	.750 [19.05]	1.250 [31.75]	930-1297-XXX
14	1.031 [26.19]	.875 [22.23]	1.344 [34.14]	930-1497-XXX
16	1.125 [28.58]	1.000 [25.40]	1.438 [36.53]	930-1697-XXX
18	1.203 [30.56]	1.125 [28.58]	1.516 [38.51]	930-1897-XXX
20	1.297 [32.94]	1.250 [31.75]	1.672 [42.47]	930-2097-XXX
22	1.375 [34.93]	1.375 [34.93]	1.750 [44.45]	930-2297-XXX

Dimensions in brackets [ ] are in millimeters.





# GASKETS FOR FLANGE MOUNT RECEPTACLES

## SCP36675, SCP40450 & SCP40460

For SCP, SWL & SWLD Series (AS50151 Threaded & Reverse Bayonet Coupling), MIL-DTL-22992

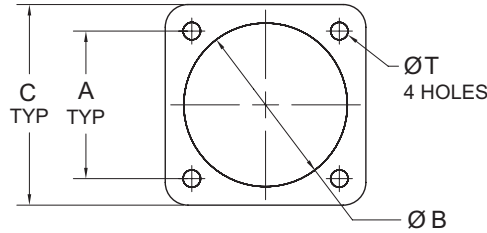
**SCP40450 - 20 H**

**PART NUMBER** ————

**SHELL SIZE** ————

**MATERIAL** ————

**BLANK** Neoprene 80 shore.  
**F** Silicone.  
**FS** Silicone with shielded wire mesh.  
**H** Halogen-free.  
**S** Shielded, wire mesh.



.041 [1.04] SCP36675  
 .021 [0.53]

.036 [0.91] SCP40450 &  
 .026 [0.66] SCP40460

13D

AS50151 SHELL TYPES: MS3100*, MS3102*, MS3103*, SCP00*, SCP02*, TBF* FRONT PANEL MOUNT											
AS50151 REVERSE BAYONET SHELL TYPES: SCPB00*, SCPB02*, SCPB020*, SCPBTBF* FRONT PANEL MOUNT											
AS50151 REVERSE BAYONET SHELL TYPES: SCPB03*, SCPB030* REAR PANEL MOUNT											
SWL SERIES SHELL TYPES: SCP1070*, SCP1072*, SCP1074*, SCP1079* FRONT PANEL MOUNT											
SWLD SERIES SHELL TYPES: SCP17343, SCP17346 FRONT PANEL MOUNT											
					<b>PART NUMBER</b> (-67°F TO -278°F)	<b>PART NUMBER</b> (0°F TO +257°F) NOTE 2	<b>A</b> ±.010	<b>B</b> +.016 -.000	<b>C</b> +.016 -.000	<b>ØT</b> ±.010	<b>Alternate Part #</b> (See page 13D-2)
8S	-	-	-	-	SCP36675-8	SCP40450-8	.594 [15.09]	.500 [12.70]	.875 [22.23]	.172 [4.37]	930-0890-XXX
10S.10SL	10SL	-	10	-	SCP36675-10	SCP40450-10	.719 [18.26]	.626 [15.90]	1.000 [25.40]	.172 [4.37]	930-1090-XXX
-	-	10SL	-	-	-	SCP40460-10	.719 [18.26]	.717 [18.21]	1.000 [25.40]	.172 [4.37]	930-1091-XXX
12.12S	12S	-	12	-	SCP36675-12	SCP40450-12	.813 [20.65]	.750 [19.05]	1.094 [27.79]	.172 [4.37]	930-1290-XXX
-	-	12.12S	-	-	-	SCP40460-12	.813 [20.65]	.843 [21.40]	1.094 [27.79]	.172 [4.37]	930-1291-XXX
14.14S	14S	-	14	12	SCP36675-14	SCP40450-14	.906 [23.01]	.875 [22.23]	1.188 [30.18]	.172 [4.37]	930-1490-XXX
-	-	14.14S	-	-	-	SCP40460-14	.906 [23.01]	.968 [24.60]	1.188 [30.18]	.172 [4.37]	930-1491-XXX
16.16S	16S	-	16	14	SCP36675-16	SCP40450-16	.969 [24.60]	1.000 [25.40]	1.281 [32.54]	.172 [4.37]	930-1690-XXX
-	-	16.16S	-	-	-	SCP40460-16	.969 [24.60]	1.081 [27.40]	1.281 [32.54]	.172 [4.37]	930-1691-XXX
18	18	-	18	16	SCP36675-18	SCP40450-18	1.062 [27.00]	1.125 [28.58]	1.375 [34.93]	.203 [5.16]	930-1890-XXX
-	-	18	-	-	-	SCP40460-18	1.062 [27.00]	1.213 [30.80]	1.375 [34.93]	.203 [5.16]	930-1891-XXX
20	20	-	20	18	SCP36675-20	SCP40450-20	1.156 [29.36]	1.250 [31.75]	1.500 [38.10]	.203 [5.16]	930-2090-XXX
-	-	20	-	-	-	SCP40460-20	1.156 [29.36]	1.345 [34.20]	1.500 [38.10]	.203 [5.16]	930-2091-XXX
22	22	-	22	20	SCP36675-22	SCP40450-22	1.250 [31.75]	1.375 [34.93]	1.625 [41.28]	.203 [5.16]	930-2290-XXX
-	-	22	-	-	-	SCP40460-22	1.250 [31.75]	1.472 [37.40]	1.625 [41.28]	.203 [5.16]	930-2291-XXX
24	24	-	24	22	SCP36675-24	SCP40450-24	1.375 [34.93]	1.500 [38.10]	1.750 [44.45]	.203 [5.16]	930-2490-XXX
-	-	24	-	-	-	SCP40460-24	1.375 [34.93]	1.610 [40.90]	1.750 [44.45]	.203 [5.16]	930-2491-XXX
28	28	-	28	24	SCP36675-28	SCP40450-28	1.563 [39.70]	1.750 [44.45]	2.000 [50.80]	.203 [5.16]	930-2890-XXX
-	-	28	-	-	-	SCP40460-28	1.563 [39.70]	1.840 [46.70]	2.000 [50.80]	.203 [5.16]	930-2891-XXX
32	32	-	32	28	SCP36675-32	SCP40450-32	1.750 [44.45]	2.000 [50.80]	2.250 [57.15]	.219 [5.56]	930-3290-XXX
-	-	32	-	-	-	SCP40460-32	1.750 [44.45]	2.102 [53.40]	2.250 [57.15]	.219 [5.56]	930-3291-XXX
36	36	-	36	32	SCP36675-36	SCP40450-36	1.938 [49.23]	2.188 [55.58]	2.500 [63.50]	.219 [5.56]	930-3690-XXX
-	-	36	-	-	-	SCP40460-36	1.938 [49.23]	2.345 [59.60]	2.500 [63.50]	.219 [5.56]	930-3691-XXX
40	40	-	40	36	SCP36675-40	SCP40450-40	2.188 [55.58]	2.438 [61.93]	2.750 [69.85]	.219 [5.56]	930-4090-XXX
-	-	40	-	-	-	SCP40460-40	2.188 [55.58]	2.580 [65.50]	2.750 [69.85]	.219 [5.56]	930-4091-XXX
44	-	-	44	40	SCP36675-44	SCP40450-44	2.375 [60.33]	2.688 [68.28]	3.000 [76.20]	.219 [5.56]	930-4490-XXX
48	-	-	48	44	SCP36675-48	SCP40450-48	2.625 [66.68]	2.938 [74.63]	3.250 [82.55]	.219 [5.56]	930-4890-XXX

1. Dimensions in brackets [ ] are in millimeters.
2. For shielding add "S" after the part number.
3. For silicone material add "FS" after part number

# We've Got You Covered



Contact  
Spacecraft's  
Consultative Sales Team  
for Ordering Information



YOUR  
**CONNECTOR  
CONSULTANT**  
SINCE 1962

 **SPACECRAFT**  
COMPONENTS CORP.

**702.851.7600**

# SECTION 14D

## JAM NUTS

14D

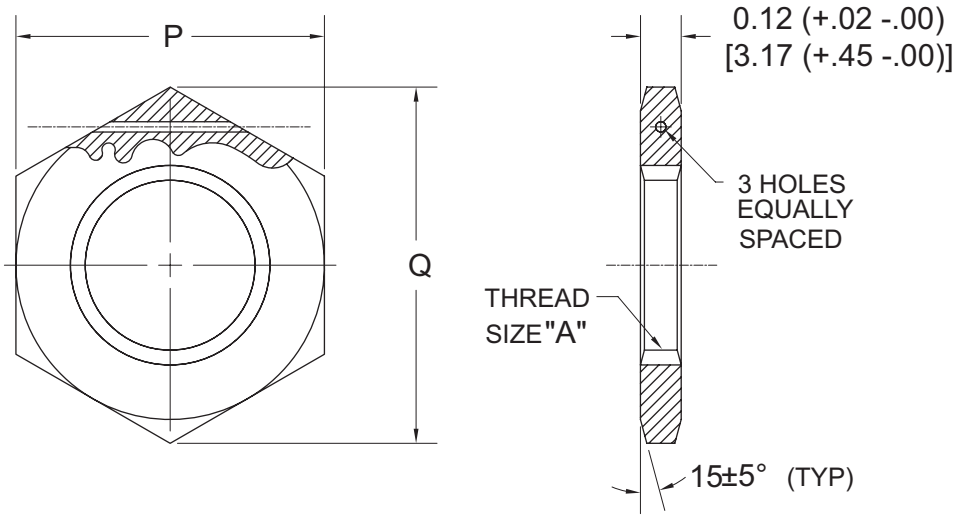
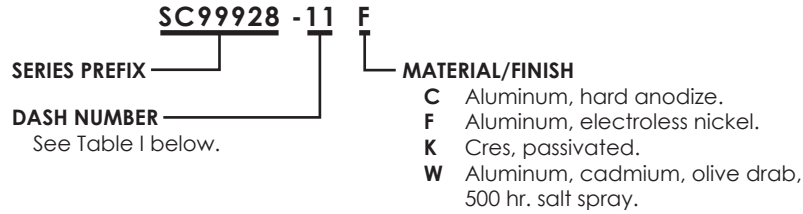


# HEXAGONAL MOUNTING NUT

SC99928

For **SC3\*** Series (MIL-DTL-38999 Series III)

## ORDERING INFORMATION



**TABLE I**

DASH NO.	MIL-DTL-38999 SERIES III SHELL SIZE	A THREAD SIZE	P	Q APPROX.
1	9	M17X1-6H	0.945 - 0.912 [24.00 - 23.17]	1.091 [27.70]
2	11	M20X1-6H	1.063 - 1.030 [27.00 - 26.17]	1.224 [31.10]
3	13	M25X1-6H	1.260 - 1.234 [32.00 - 31.35]	1.453 [36.90]
4	15	M28X1-6H	1.417 - 1.392 [36.00 - 35.35]	1.638 [41.60]
6	17	M32X1-6H	1.457 - 1.424 [37.00 - 36.17]	1.681 [42.70]
8	19	M35X1-6H	1.614 - 1.581 [41.00 - 40.17]	1.862 [47.30]
9	21	M38X1-6H	1.811 - 1.781 [46.00 - 45.25]	2.091 [53.10]
10	23	M41X1-6H	1.969 - 1.939 [50.00 - 49.25]	2.272 [57.70]
11	25	M44X1-6H	1.969 - 1.939 [50.00 - 49.25]	2.272 [57.70]
12	SCP839*	M5DX1-6H	2.165 - 2.136 [55.00 - 54.25]	2.559 [65.00]

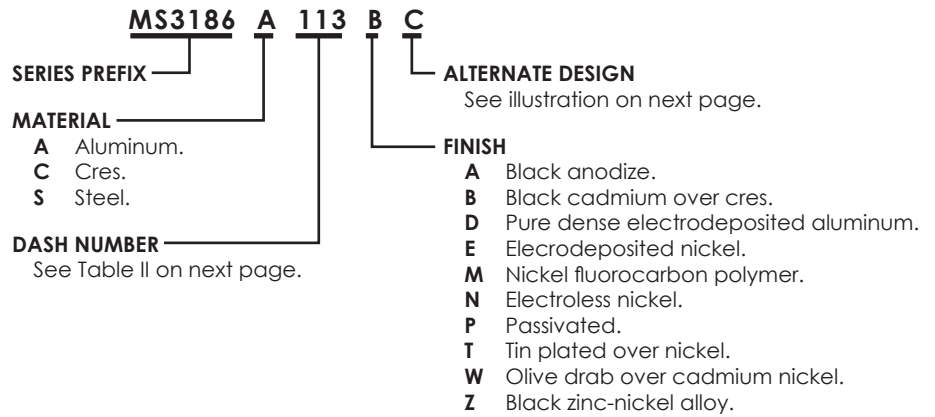
Dimensions in brackets [ ] are in millimeters.



# HEXAGONAL MOUNTING NUT

MS3186

## ORDERING INFORMATION



Dimensions on Next Page.

**TABLE I - INTERMATABILITY**

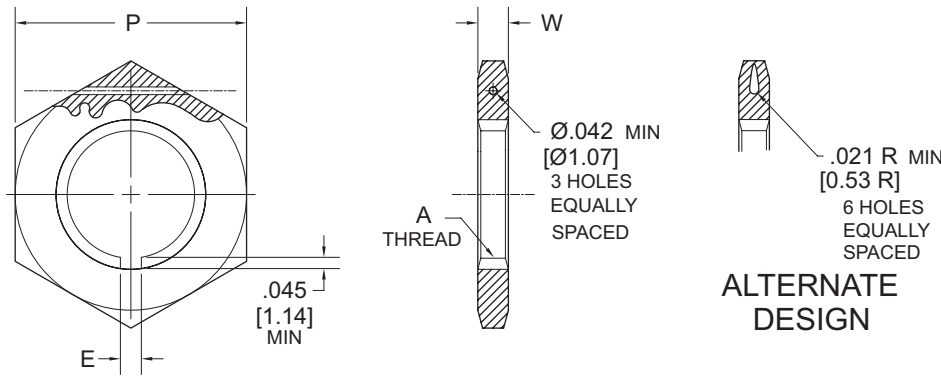
Dash Number	SAE-AS50151	MIL-DTL-26482	MIL-DTL-26500	MIL-DTL-27599	MIL-DTL-28840	MIL-DTL-38999 Series I	MIL-DTL-38999 Series II	MIL-DTL-83723 Series I	MIL-DTL-83723 Series III
101	8S	-	-	-	-	-	-	-	-
102	-	8	-	-	-	-	-	8	-
103	10S-10SL	-	-	-	-	-	-	-	-
104	-	-	8	-	-	-	-	-	-
105	-	-	-	-	-	-	-	-	8
106	-	10	-	9	-	9	-	10	-
107	12S-12	-	10	-	-	-	-	-	10
108	-	-	-	11	-	11	-	-	-
109	14S-14	12	-	8	11	-	8	12	-
110	-	-	12	-	-	-	-	-	12
111	16S-16	14	14	10-13	13	13	10	14	14
112	-	-	16	-	-	-	-	-	16 <sup>1/</sup>
113	18	16	-	12-15	-	15	12	16	16 <sup>2/</sup>
114	-	-	-	-	15	-	-	-	-
115	-	-	18	14-17	-	-	-	-	-
116	20	18	-	-	17	17	14	18	18
117	22	20	20	16-19	-	19	16	20	20
118	-	-	-	-	19	-	-	-	-
119	-	-	22	-	-	-	-	-	-
120	24	22	-	18-21	-	21	18	22	22
121	-	24	24	20-23	23	23	20	24	24
122	28	-	-	22-25	25	25	22	-	-
123	-	-	-	24	-	-	24	-	-
124	-	-	-	-	29	-	-	-	-
125	32	-	-	-	-	-	-	-	-
126	-	-	-	-	33	-	-	-	-
127	36	-	-	-	-	-	-	-	-
128	40	-	-	-	-	-	-	-	-
129	44	-	-	-	-	-	-	-	-
130	48	-	-	-	-	-	-	-	-

1/ For bayonet coupling only.  
2/ For threaded coupling only.

# HEXAGONAL MOUNTING NUT

## MS3186

Continued from previous page.



TO UTILIZE  
ALTERNATE  
DESIGN  
ADD LETTER  
"C" TO SUFFIX  
OF PART NUMBER

ALTERNATE  
DESIGN

Dimensions in brackets [ ] are in millimeters.

TABLE II

Dash No.	Material	Supersedes Dash Number	A Thread Size	E Max	P ±.017	S Min. No. of Slots	W ±.017	Dash No.	Material	Supersedes Dash Number	A Thread Size	E Max	P ±.017	S Min. No. of Slots	W ±.017
101	A S C	-25 -26 -27	.500-28UNEF-2B	None	.687	None	.125	116	A S C	-49 -50 -51	1.250-18UNEF-2B	.135	1.438	1	.125
102	A S C	-28 -29 -30	.5625-24UNEF-2B	.135	.750	2	.125	117	A S C	-52 -53 -54	1.375-18UNEF-2B	.192	1.562	1	.125
103	A S C	-31 -32 -33	.625-24UNEF-2B	None	.812	None	.125	118	A S C	-	1.4375-18UNEF-2B	None	1.625	None	.125
104	A S C	-	.625-20UN-2B	.135	.812	2	.125	119	A S C	-	1.500-20UN-2B	None	1.688	None	.125
105	A S C	-	.625-20UN-2B	None	.812	None	.125	120	A S C	-55 -56 -57	1.500-18UNEF-2B	.192	1.688	1	.125
106	A S C	-34 -35 -36	.6875-24UNEF-2B	.135	.875	1	.125	121	A S C	-58 -59 -60	1.625-18UNEF-2B	.192	1.812	1	.125
107	A S C	-37 -38 -39	.750-20UNEF-2B	None	.937	None	.125	122	A S C	-61 -62 -63	1.750-18UNS-2B	.192	2.000	1	.125
108	A S C	-	.8125-20UNEF-2B	.135	1.000	1	.125	123	A S C	-	1.875-16UN-2B	None	2.125	None	.125
109	A S C	-40 -41 -42	.875-20UNEF-2B	.135	1.062	1	.125	124	A S C	-	1.9375-16UN-2B	None	2.187	None	.189
110	A S C	-	.9375-20UNEF-2B	None	1.125	None	.125	125	A S C	-64 -65 -66	2.000-18UNS-2B	None	2.250	None	.189
111	A S C	-43 -44 -45	1.000-20UNEF-2B	.135	1.188	1	.125	126	A S C	-	2.125-16UN-2B	None	2.375	None	.189
112	A S C	-	1.125-20UN-2B	.135	1.312	1	.125	127	A S C	-67 -68 -69	2.250-16UN-2B	None	2.500	None	.189
113	A S C	-46 -47 -48	1.125-18UNEF-2B	.135	1.312	1	.125	128	A S C	-70 -71 -72	2.500-16UN-2B	None	2.750	None	.189
114	A S C	-	1.1875-18UNEF-2B	None	1.375	None	.125	129	A S C	-73 -74 -75	2.750-16UN-2B	None	3.000	None	.189
115	A S C	-	1.250-20UN-2B	None	1.438	None	.125	130	A S C	-76 -77 -78	3.000-16UN-2B	None	3.250	None	.189

Dimensions in brackets [ ] are in millimeters.



# SECTION 15D

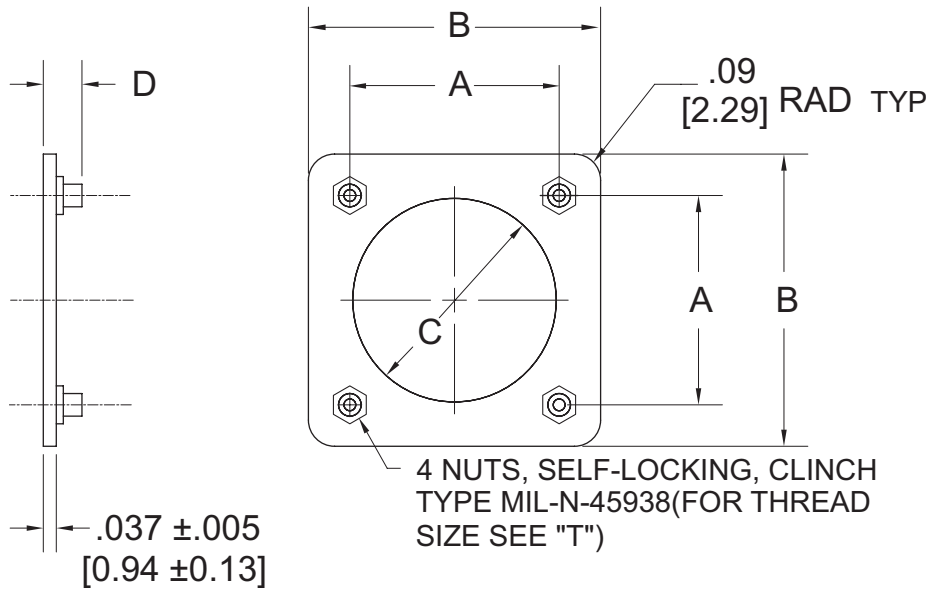
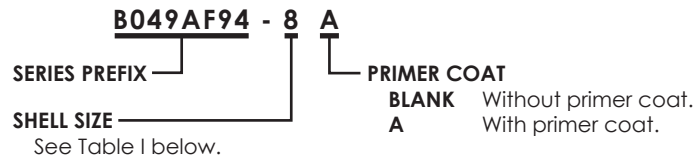
## MOUNTING PLATES

15D

# FULL MOUNT, TYPE I HEAVY DUTY

B049AF94

## ORDERING INFORMATION



**TABLE I**

B049AF94	SHELL SIZE	THRD T UNJC-3B	A +.003 [+0.08]	B +.015 [+0.38]	C +.015 -.000 [+0.38 -0.00]	D
8	8	4-40	0.594 [15.09]	0.880 [22.35]	0.570 [14.48]	0.106 - 0.166 [2.69 - 4.22]
10	10	4-40	0.719 [18.26]	1.005 [25.53]	0.700 [17.78]	0.106 - 0.166 [2.69 - 4.22]
12	12	4-40	0.812 [20.62]	1.098 [27.89]	0.820 [20.83]	0.106 - 0.166 [2.69 - 4.22]
14	14	4-40	0.906 [23.01]	1.192 [30.28]	0.945 [24.00]	0.106 - 0.166 [2.69 - 4.22]
16	16	4-40	0.969 [24.61]	1.255 [31.88]	1.070 [27.18]	0.106 - 0.166 [2.69 - 4.22]
18	18	4-40	1.062 [26.97]	1.348 [34.24]	1.196 [30.38]	0.106 - 0.166 [2.69 - 4.22]
20	20	4-40	1.156 [29.36]	1.500 [38.10]	1.320 [33.53]	0.106 - 0.166 [2.69 - 4.22]
22	22	4-40	1.250 [31.75]	1.625 [41.28]	1.440 [36.58]	0.106 - 0.166 [2.69 - 4.22]
24	24	6-32	1.375 [34.93]	1.750 [44.45]	1.570 [39.88]	0.123 - 0.183 [3.12 - 4.65]
25	25	6-32	1.500 [38.10]	1.891 [48.03]	1.658 [42.11]	0.123 - 0.183 [3.12 - 4.65]

Dimensions in brackets [ ] are in millimeters.  
Unless otherwise specified, tolerance is + .010.





# HEAVY DUTY FULL MOUNT, TYPE I

B049AF94

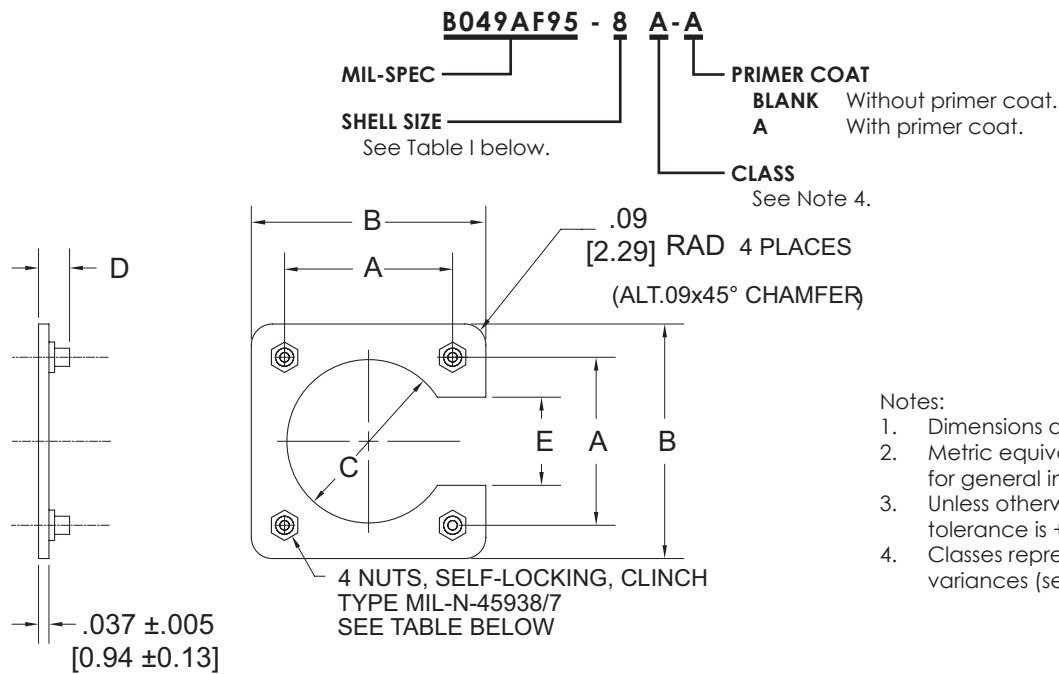
MIL-SPEC	CONNECTOR PART NUMBER	B049AF94 - SHELL SIZES										
		8	10	12	14	16	18	19	20	22	24	25
AS50151	MS3100	8S	10S	12S	14S	16S	18	-	20	22	24	-
		-	-	12	14	16	-	-	-	-	-	-
	MS3102	8S	10S	12S	14S	16S	18	-	20	22	24	-
		-	-	12	14	16	-	-	-	-	-	-
	MS3400	8S	10S	12S	14S	16S	18	-	20	22	24	-
		-	-	12	14	16	-	-	-	-	-	-
MS3402	8S	10S	12S	14S	16S	18	-	20	22	24	-	
	-	-	12	14	16	-	-	-	-	-	-	
MS3450	8S	10S	12S	14S	16S	18	-	20	22	24	-	
	-	-	12	14	16	-	-	-	-	-	-	
MS3452	8S	10S	12S	14S	16S	18	-	20	22	24	-	
	-	-	12	14	16	-	-	-	-	-	-	
MIL-DTL-22992	MS17343	-	-	12	14	16	18	-	20	22	-	-
MIL-DTL-26482	MS3110	8	10	12	14	16	18	-	20	22	24	-
	MS3112	8	10	12	14	16	18	-	20	22	24	-
	MS3120	8	10	12	14	16	18	-	20	22	24	-
	MS3122	8	10	12	14	16	18	-	20	22	24	-
	MS3470	8	10	12	14	16	18	-	20	22	24	-
MS3472	8	10	12	14	16	18	-	20	22	24	-	
MIL-DTL-38999	MS27469	-	9	11	13	15	17	-	19	21	23	25
	MS27472	8	10	12	14	16	18	-	20	22	24	-
	MS27475	8	10	12	14	16	18	-	20	22	24	-
	MS27476	8	10	12	14	16	18	-	20	22	24	-
	MS27496	-	9	11	13	15	17	-	19	21	23	25
	MS27497	8	10	12	14	16	18	-	20	22	24	-
	MS27499	8	10	12	14	16	18	-	20	22	24	-
	MS27505	-	9	11	13	15	17	-	19	21	23	25
	MS27508	8	10	12	14	16	18	-	20	22	24	-
	MS27513	8	10	12	14	16	18	-	20	22	24	-
	MS27515	-	9	11	13	15	17	-	19	21	23	25
	D38999/20	-	9	11	13	15	17	-	19	21	23	25
D38999/40	-	-	11	13	15	17	-	19	21	23	25	
D38999/42	-	-	11	13	15	17	-	19	21	23	25	
MIL-C-81511	M81511	8	10	-	14	16	18	-	-	-	-	-
AS81703	MS3130	-	-	12	-	-	-	19	-	-	-	-
MIL-DTL-83723	M83723/1	8	10	12	14	16	18	-	20	22	24	-
	M83723/2	8	10	12	14	16	18	-	20	22	24	-
	M83723/3	-	-	10	-	-	-	-	-	-	22	24
	M83723/4	-	-	10	-	-	-	-	-	-	22	24

15D

# 3/4 MOUNT, TYPE II (MEDIUM DUTY)

B049AF95

## ORDERING INFORMATION



### Notes:

1. Dimensions are in inches.
2. Metric equivalents are given for general information only.
3. Unless otherwise specified, tolerance is + .010.
4. Classes represent shell size variances (see Table below).

TABLE I

MIL-SPEC	CONNECTOR PART NUMBER	B049AF95 - SHELL SIZES																		
		3	7	8	10	12	14	16	18	19	20	22	24	25	27	28	32	36	37	61
AS50151	MS3100	-	-	8S	10S	12S	14S	16S	18	-	20	22	24	-	-	28	32	36	-	-
	MS3102	-	-	8S	10S	12S	14S	16S	18	-	20	22	24	-	-	28	32	36	-	-
	MS3400	-	-	8S	10S	12S	14S	16S	18	-	20	22	24	-	-	28	32	36	-	-
	MS3402	-	-	8S	10S	12S	14S	16S	18	-	20	22	24	-	-	28	32	36	-	-
	MS3450	-	-	8S	10S	12S	14S	16S	18	-	20	22	24	-	-	28	32	36	-	-
	MS3452	-	-	8S	10S	12S	14S	16S	18	-	20	22	24	-	-	28	32	36	-	-
MIL-DTL-22992	MS17343	-	-	-	-	12	14	16	18	-	20	22	-	-	-	-	-	-	-	-
MIL-DTL-26482	MS3110	-	-	8	10	12	14	16	18	-	20	22	24	-	-	-	-	-	-	-
	MS3112	-	-	8	10	12	14	16	18	-	20	22	24	-	-	-	-	-	-	-
	MS3120	-	-	8	10	12	14	16	18	-	20	22	24	-	-	-	-	-	-	-
	MS3122	-	-	8	10	12	14	16	18	-	20	22	24	-	-	-	-	-	-	-
	MS3470	-	-	8	10	12	14	16	18	-	20	22	24	-	-	-	-	-	-	-
MIL-DTL-38999	MS3472	-	-	8	10	12	14	16	18	-	20	22	24	-	-	-	-	-	-	-
	MS27469	-	-	-	9	11	13	15	17	-	19	21	23	25	-	-	-	-	-	-
	MS27472	-	-	8	10	12	14	16	18	-	20	22	24	-	-	-	-	-	-	-
	MS27475	-	-	8	10	12	14	16	18	-	20	22	24	-	-	-	-	-	-	-
	MS27476	-	-	8	10	12	14	16	18	-	20	22	24	-	-	-	-	-	-	-
	MS27496	-	-	-	9	11	13	15	17	-	19	21	23	25	-	-	-	-	-	-
	MS27497	-	-	8	10	12	14	16	18	-	20	22	24	-	-	-	-	-	-	-
	MS27499	-	-	8	10	12	14	16	18	-	20	22	24	-	-	-	-	-	-	-
	MS27505	-	-	-	9	11	13	15	17	-	19	21	23	25	-	-	-	-	-	-
	MS27508	-	-	8	10	12	14	16	18	-	20	22	24	-	-	-	-	-	-	-
	MS27513	-	-	8	10	12	14	16	18	-	20	22	24	-	-	-	-	-	-	-
	MS27515	-	-	-	9	11	13	15	17	-	19	21	23	25	-	-	-	-	-	-
	D38999/20	-	-	-	9	11	13	15	17	-	19	21	23	25	-	-	-	-	-	-
	D38999/40	-	-	-	-	11	13	15	17	-	19	21	23	25	-	-	-	-	-	-
	D38999/42	-	-	-	-	11	13	15	17	-	19	21	23	25	-	-	-	-	-	-
MIL-C-81511	M81511	-	-	8	10	-	14	16	18	-	-	-	-	-	-	-	-	-	-	-
AS81703	MS3130	3	7	-	-	12	-	-	-	19	-	-	-	-	27	-	-	-	37	61
MIL-DTL-83723	M83723/1	-	-	8	10	12	14	16	18	-	20	22	24	-	-	28	32	36	-	-
	M83723/2	-	-	8	10	12	14	16	18	-	20	22	24	-	-	28	32	36	-	-
	M83723/3	-	-	-	-	10	-	-	-	-	-	22	24	-	-	-	-	-	-	-
	M83723/4	-	-	-	-	10	-	-	-	-	-	22	24	-	-	-	-	-	-	-



# (MEDIUM DUTY) 3/4 MOUNT, TYPE II

B049AF95

PART NUMBER	CLASS	SHELL SIZE	T THRD UNJC-3B	A +.003 [+0.08]	B +.015 [+0.38]	C +.015 -.000 [+0.38 -0.00]	D	E +.020 -.030 [+0.51 -0.76]
3	A	3	4-40	0.625 [15.88]	0.925 [23.50]	0.641 [16.28]	0.106/0.166 [2.69/4.22]	0.325 [8.26]
7	A	7	4-40	0.719 [18.26]	1.019 [25.88]	0.688 [17.48]	0.106/0.166 [2.69/4.22]	0.433 [11.00]
8	A	8	4-40	0.594 [15.09]	0.880 [22.35]	0.570 [14.48]	0.106/0.166 [2.69/4.22]	0.308 [7.82]
10	A	10	4-40	0.719 [18.26]	1.019 [25.88]	0.720 [18.29]	0.106/0.166 [2.69/4.22]	0.433 [11.00]
	B		6-32	0.812 [20.62]	1.187 [30.15]	0.749 [19.02]	0.123/0.183 [3.12/4.65]	0.433 [11.00]
12	A	12	4-40	0.812 [20.62]	1.104 [28.04]	0.855 [21.72]	0.106/0.166 [2.69/4.22]	0.530 [13.46]
	B		6-32	0.938 [23.83]	1.312 [33.32]	0.938 [23.83]	0.123/0.183 [3.12/4.65]	0.526 [13.36]
14	A	14	4-40	0.906 [23.01]	1.198 [30.43]	0.984 [24.99]	0.106/0.166 [2.69/4.22]	0.624 [15.85]
	B		6-32	1.031 [26.19]	1.406 [35.71]	1.031 [26.19]	0.123/0.183 [3.12/4.65]	0.620 [15.75]
16	A	16	4-40	0.969 [24.61]	1.280 [32.51]	1.094 [27.79]	0.106/0.166 [2.69/4.22]	0.687 [17.45]
	B		6-32	1.125 [28.58]	1.500 [38.10]	1.125 [28.58]	0.123/0.183 [3.12/4.65]	0.683 [17.35]
18	A	18	4-40	1.062 [26.97]	1.406 [35.71]	1.220 [30.99]	0.106/0.166 [2.69/4.22]	0.780 [19.81]
	B		6-32	1.203 [30.56]	1.578 [40.08]	1.234 [31.34]	0.123/0.183 [3.12/4.65]	0.776 [19.71]
19	A	19	4-40	0.906 [23.01]	1.192 [30.28]	0.953 [24.21]	0.106/0.166 [2.69/4.22]	0.620 [15.75]
20	A	20	4-40	1.156 [29.36]	1.535 [38.99]	1.345 [34.16]	0.106/0.166 [2.69/4.22]	0.874 [22.20]
	B		6-32	1.297 [32.94]	1.688 [42.88]	1.359 [34.52]	0.123/0.183 [3.12/4.65]	0.865 [21.97]
22	A	22	4-40	1.250 [31.75]	1.665 [42.29]	1.478 [37.54]	0.106/0.166 [2.69/4.22]	0.968 [24.59]
	B		6-32	1.375 [34.93]	1.738 [44.15]	1.483 [37.67]	0.123/0.183 [3.12/4.65]	0.907 [23.04]
24	A	24	4-40	1.500 [38.10]	1.891 [48.03]	1.560 [39.62]	0.123/0.183 [3.12/4.65]	1.000 [25.40]
	B		6-32	1.375 [34.93]	1.785 [45.34]	1.595 [40.51]	0.123/0.183 [3.12/4.65]	1.031 [26.19]
25	A	25	6-32	1.500 [38.10]	1.891 [48.03]	1.658 [42.11]	0.123/0.183 [3.12/4.65]	1.125 [28.58]
27	A	27	4-40	0.969 [24.61]	1.255 [31.88]	1.094 [27.79]	0.106/0.166 [2.69/4.22]	0.683 [17.35]
28	A	28	6-32	1.562 [39.67]	2.000 [50.80]	1.820 [46.23]	0.123/0.183 [3.12/4.65]	1.125 [28.58]
32	A	32	6-32	1.750 [44.45]	2.312 [58.72]	2.062 [52.37]	0.123/0.183 [3.12/4.65]	1.188 [30.18]
36	A	36	6-32	1.938 [49.23]	2.500 [63.50]	2.312 [58.72]	0.123/0.183 [3.12/4.65]	1.375 [34.93]
37	A	37	4-40	1.187 [30.15]	1.500 [38.10]	1.281 [32.54]	0.106/0.166 [2.69/4.22]	0.874 [22.20]
61	A	61	4-40	1.437 [36.50]	1.812 [46.02]	1.594 [40.49]	0.106/0.166 [2.69/4.22]	1.602 [40.69]

15D

# 1/4 MOUNT, TYPE II (LIGHT DUTY)

B049AF9

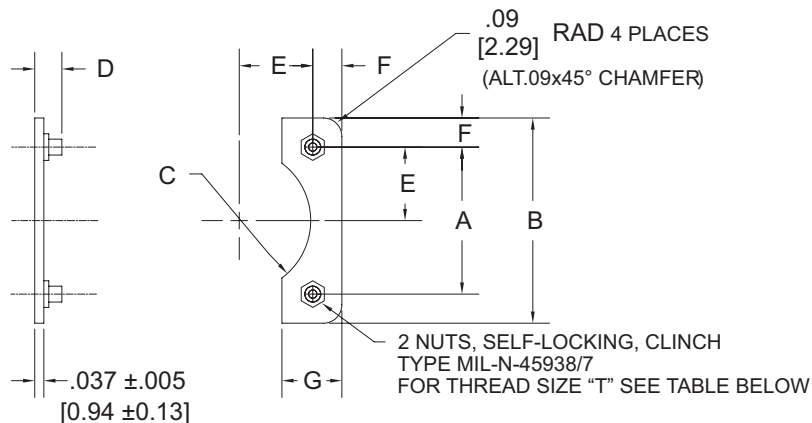
## ORDERING INFORMATION

**B049AF96 - 3**

SERIES PREFIX

SHELL SIZE

See Table I below.



### Notes:

1. Dimensions are inches.
2. Metric equivalents are given for general information only.
3. Unless otherwise specified, tolerance is + .010.
4. Shell size variances (see Table below).

TABLE I

PART NUMBER	SHELL SIZE	T THRD UNJC-3B	A +.003 [+0.08]	B +.015 [+0.38]	C +.015 -.000 [+0.38 -0.00]	D	E ±.001 [±0.03]	F +.005 -.000 [+0.13 -0.00]	G +.010 -.000 [+0.25 -0.00]
3	3	4-40	.625 [15.88]	.925 [23.50]	.641 [16.28]	0.106/0.166 [2.69/4.22]	0.312 [7.92]	.150 [3.81]	.300 [7.62]
7	7	4-40	0.719 [18.26]	1.016 [25.81]	0.359 [9.12]	0.106/0.166 [2.69/4.22]	0.359 [9.12]	0.149 [3.78]	0.298 [7.57]
8	8	4-40	0.594 [15.09]	0.891 [22.63]	0.277 [7.04]	0.106/0.166 [2.69/4.22]	0.297 [7.54]	0.148 [3.76]	0.296 [7.52]
10	10	4-40	0.719 [18.26]	1.016 [25.81]	0.359 [9.12]	0.106/0.166 [2.69/4.22]	0.359 [9.12]	0.149 [3.78]	0.298 [7.57]
12	12	4-40	0.812 [20.62]	1.109 [28.17]	0.425 [10.80]	0.106/0.166 [2.69/4.22]	0.406 [10.31]	0.148 [3.76]	0.296 [7.52]
14	14	4-40	0.906 [23.01]	1.203 [30.56]	0.492 [12.50]	0.106/0.166 [2.69/4.22]	0.453 [11.51]	0.148 [3.76]	0.296 [7.52]
16	16	4-40	0.969 [24.61]	1.266 [32.16]	0.547 [13.89]	0.106/0.166 [2.69/4.22]	0.484 [12.29]	0.149 [3.78]	0.298 [7.57]
18	18	4-40	1.062 [26.97]	1.390 [35.31]	0.610 [15.49]	0.106/0.166 [2.69/4.22]	0.531 [13.49]	0.164 [4.17]	0.328 [8.33]
19	19	4-40	0.906 [23.01]	1.203 [30.56]	0.492 [12.50]	0.106/0.166 [2.69/4.22]	0.453 [11.51]	0.148 [3.76]	0.296 [7.52]
20	20	4-40	1.156 [29.36]	1.510 [38.35]	0.672 [17.07]	0.106/0.166 [2.69/4.22]	0.578 [14.68]	0.177 [4.50]	0.354 [8.99]
22	22	4-40	1.250 [31.75]	1.640 [41.66]	0.739 [18.77]	0.106/0.166 [2.69/4.22]	0.625 [15.88]	0.195 [4.95]	0.390 [9.91]
24	24	6-32	1.375 [34.93]	1.760 [44.70]	0.797 [20.24]	0.123/0.183 [3.12/4.65]	0.687 [17.45]	0.193 [4.90]	0.386 [9.80]
25	25	6-32	1.500 [38.10]	1.859 [47.22]	0.845 [21.46]	0.123/0.183 [3.12/4.65]	0.750 [19.05]	0.179 [4.55]	0.358 [9.09]
27	27	4-40	0.969 [24.61]	1.266 [32.16]	0.547 [13.89]	0.106/0.166 [2.69/4.22]	0.484 [12.29]	0.149 [3.78]	0.298 [7.57]
28	28	6-32	1.562 [39.67]	2.000 [50.80]	0.920 [23.37]	0.123/0.183 [3.12/4.65]	0.781 [19.84]	0.219 [5.56]	0.438 [11.13]
32	32	6-32	1.750 [44.45]	2.312 [58.72]	1.058 [26.87]	0.123/0.183 [3.12/4.65]	0.875 [22.23]	0.281 [7.14]	0.562 [14.27]
36	36	6-32	1.938 [49.23]	2.500 [63.50]	1.170 [29.72]	0.123/0.183 [3.12/4.65]	0.969 [24.61]	0.281 [7.14]	0.562 [14.27]
37	37	4-40	1.187 [30.15]	1.500 [38.10]	0.670 [17.02]	0.106/0.166 [2.69/4.22]	0.593 [15.06]	0.157 [3.99]	0.314 [7.98]
61	61	4-40	1.437 [36.50]	1.812 [46.02]	0.812 [20.62]	0.106/0.166 [2.69/4.22]	0.718 [18.24]	0.188 [4.78]	0.376 [9.55]

Dimensions in brackets [ ] are in millimeters.



# (LIGHT DUTY) 1/4 MOUNT, TYPE III

B049AF96

MIL-SPEC	CONNECTOR PART NUMBER	B049AF96 - SHELL SIZES																	
		7	8	10	12	14	16	18	19	20	22	24	25	27	28	32	36	37	61
AS50151	MS3100	-	8S	10S	12S	14S	16S	18	-	20	22	24	-	-	28	32	36	-	-
		-	-	-	12	14	16	-	-	-	-	-	-	-	-	-	-	-	-
	MS3102	-	8S	10S	12S	14S	16S	18	-	20	22	24	-	-	28	32	36	-	-
		-	-	-	12	14	16	-	-	-	-	-	-	-	-	-	-	-	-
	MS3400	-	8S	10S	12S	14S	16S	18	-	20	22	24	-	-	28	32	36	-	-
		-	-	-	12	14	16	-	-	-	-	-	-	-	-	-	-	-	-
	MS3402	-	8S	10S	12S	14S	16S	18	-	20	22	24	-	-	28	32	36	-	-
		-	-	-	12	14	16	-	-	-	-	-	-	-	-	-	-	-	-
	MS3450	-	8S	10S	12S	14S	16S	18	-	20	22	24	-	-	28	32	36	-	-
		-	-	-	12	14	16	-	-	-	-	-	-	-	-	-	-	-	-
	MS3452	-	8S	10S	12S	14S	16S	18	-	20	22	24	-	-	28	32	36	-	-
		-	-	-	12	14	16	-	-	-	-	-	-	-	-	-	-	-	-
MIL-DTL-22992	MS17343	-	-	-	12	14	16	18	-	20	22	-	-	-	-	-	-	-	
MIL-DTL-26482	MS3110	-	8	10	12	14	16	18	-	20	22	24	-	-	-	-	-	-	
	MS3112	-	8	10	12	14	16	18	-	20	22	24	-	-	-	-	-	-	
	MS3120	-	8	10	12	14	16	18	-	20	22	24	-	-	-	-	-	-	
	MS3122	-	8	10	12	14	16	18	-	20	22	24	-	-	-	-	-	-	
	MS3470	-	8	10	12	14	16	18	-	20	22	24	-	-	-	-	-	-	
	MS3472	-	8	10	12	14	16	18	-	20	22	24	-	-	-	-	-	-	
MIL-DTL-38999	MS27469	-	-	9	11	13	15	17	-	19	21	23	25	-	-	-	-	-	
	MS27472	-	8	10	12	14	16	18	-	20	22	24	-	-	-	-	-	-	
	MS27475	-	8	10	12	14	16	18	-	20	22	24	-	-	-	-	-	-	
	MS27476	-	8	10	12	14	16	18	-	20	22	24	-	-	-	-	-	-	
	MS27496	-	-	9	11	13	15	17	-	19	21	23	25	-	-	-	-	-	
	MS27497	-	8	10	12	14	16	18	-	20	22	24	-	-	-	-	-	-	
	MS27499	-	8	10	12	14	16	18	-	20	22	24	-	-	-	-	-	-	
	MS27505	-	-	9	11	13	15	17	-	19	21	23	25	-	-	-	-	-	
	MS27508	-	8	10	12	14	16	18	-	20	22	24	-	-	-	-	-	-	
	MS27513	-	8	10	12	14	16	18	-	20	22	24	-	-	-	-	-	-	
	MS27515	-	-	9	11	13	15	17	-	19	21	23	25	-	-	-	-	-	
	D38999/20	-	-	9	11	13	15	17	-	19	21	23	25	-	-	-	-	-	
	D38999/40	-	-	-	11	13	15	17	-	19	21	23	25	-	-	-	-	-	
	D38999/42	-	-	-	11	13	15	17	-	19	21	23	25	-	-	-	-	-	
MIL-C-81511	M81511	-	8	10	-	14	16	18	-	-	-	-	-	-	-	-	-	-	
AS81703	MS3130	7	-	-	12	-	-	-	19	-	-	-	-	27	-	-	-	37	61
MIL-DTL-83723	M83723/1	-	8	10	12	14	16	18	-	20	22	24	-	-	28	32	36	-	-
	M83723/2	-	8	10	12	14	16	18	-	20	22	24	-	-	28	32	36	-	-
	M83723/3	-	-	-	10	-	-	-	-	-	-	24	-	-	-	-	-	-	
	M83723/4	-	-	-	10	-	-	-	-	-	-	22	24	-	-	-	-	-	

15D

# We've Got You Covered



Contact  
Spacecraft's  
Consultative Sales Team  
for Ordering Information



**YOUR**  
**CONNECTOR**  
**CONSULTANT**  
**SINCE 1962**

 **SPACECRAFT**  
**COMPONENTS CORP.**

**702.851.7600**

# SECTION 16D

## RUBBER BUSHINGS

16D



# RUBBER BUSHING

M85049/139, MS3420-\*

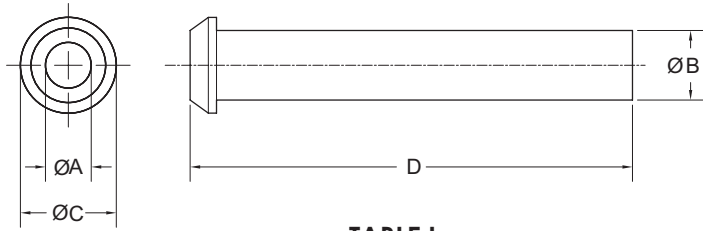


TABLE I

DASH NO.	AØ	BØ	CØ	D	MS3420- <sup>*</sup> SUPERSEDES	
					AN3420	MS39056
3	.150 [3.8] .110 [2.8]	.230 [5.8] .190 [4.8]	.395 [10.0] .363 [9.2]	2.906 [73.8] 2.844 [72.2]	-3	-1
4	.240 [6.1] .200 [5.1]	.322 [8.2] .282 [7.2]	.521 [13.2] .489 [12.4]	2.781 [70.6] 2.719 [69.1]	-4	-2
6	.332 [8.4] .292 [7.4]	.447 [11.4] .407 [10.3]	.635 [16.1] .603 [15.3]	2.656 [67.5] 2.594 [65.9]	-6	-3
8	.464 [11.8] .410 [10.4]	.579 [14.7] .525 [13.3]	.760 [19.3] .728 [18.5]	2.531 [64.3] 2.469 [62.7]	-8	-4
10	.589 [15.0] .535 [13.6]	.652 [16.6] .535 [13.6]	.905 [23.0] .873 [22.2]	2.406 [61.1] 2.344 [59.5]	-10	-5
12	.652 [16.6] .598 [15.2]	.767 [19.5] .713 [18.1]	1.100 [27.9] 1.068 [27.1]	2.281 [57.9] 2.219 [56.4]	-12	-6
16	.777 [19.7] .723 [18.4]	.954 [24.2] .900 [22.9]	1.330 [33.8] 1.298 [33.0]	2.156 [54.8] 2.094 [53.2]	-16	-7
20	.976 [24.8] .898 [22.8]	1.279 [32.5] 1.201 [30.5]	1.614 [41.0] 1.582 [40.2]	2.031 [51.6] 1.969 [50.0]	-20	-8
24	1.289 [32.7] 1.211 [30.8]	1.404 [35.7] 1.326 [33.7]	1.863 [47.3] 1.831 [46.5]	1.906 [48.4] 1.844 [46.8]	-24	-9
28	1.414 [35.9] 1.336 [33.9]	1.653 [42.0] 1.575 [40.0]	2.101 [53.4] 2.069 [52.6]	1.781 [45.2] 1.719 [43.7]	-28	-10
32	1.675 [42.5] 1.573 [40.0]	1.915 [48.6] 1.813 [46.1]	2.351 [59.7] 2.319 [58.9]	1.656 [42.1] 1.594 [40.5]	-32	-11
40	1.925 [48.9] 1.823 [46.3]	2.415 [61.3] 2.313 [58.8]	2.851 [72.4] 2.819 [71.6]	1.531 [38.9] 1.469 [37.3]	-40	-12

Dimensions in brackets [ ] are in millimeters.

## ORDERING INFORMATION

**M85049/139 - 16 C**

**MIL-SPEC** —  
Standard material & color is black neoprene

**DASH NUMBER** —  
See Table I below.

**MATERIAL DESIGNATOR** —  
**Blank** Neoprene in accordance with AMS 3208  
**C** Silicone in accordance with AA-59588  
**K** Fluorosilicone of fluorosilicone blend in accordance with MIL-DTL-25988

M85049/139, MS3420-<sup>\*</sup>A

TABLE I

DASH NO.	ØA	ØB	MS3420- <sup>A</sup> SUPERSEDES	
			AN3420	MS39057
2	.150 [3.8] .110 [2.8]	.230 [5.8] .190 [4.8]	-3A	-1
4	.240 [6.1] .200 [5.1]	.322 [8.2] .282 [7.2]	-4A	-2
6	.332 [8.4] .292 [7.4]	.447 [11.4] .407 [10.3]	-6A	-3
8	.464 [11.8] .410 [10.4]	.579 [14.7] .525 [13.3]	-8A	-4
10	.464 [11.8] 410 [10.4]	.642 [16.3] .588 [14.9]	-10A	-5
12	.568 [14.4] .514 [13.1]	.767 [19.5] .713 [18.1]	-12A	-6
16	.777 [19.7] .723 [18.4]	.954 [24.2] .900 [22.9]	-16A	-7
18	.976 [24.8] .898 [22.8]	1.142 [29.0] 1.088 [27.6]	-18A	-8
20	.976 [24.8] .898 [22.8]	1.279 [32.5] 1.201 [30.5]	-20A	-9
24	1.164 [29.6] 1.086 [27.6]	1.404 [35.7] 1.326 [33.7]	-24A	-10
28	1.289 [32.7] 1.211 [30.8]	1.653 [42.0] 1.575 [40.0]	-28A	-11
32	1.676 [42.6] 1.574 [40.0]	1.916 [48.7] 1.814 [46.1]	-32A	-12
40	1.926 [48.9] 1.824 [46.3]	2.416 [61.4] 2.314 [58.8]	-40A	-13

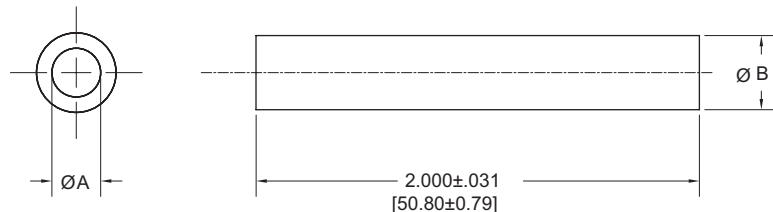
Dimensions in brackets [ ] are in millimeters.

## ORDERING INFORMATION

**M85049/139 - 6 A**

**MIL-SPEC** —  
**DASH NUMBER** —  
See Table I below.

**MATERIAL** —  
**A** Neoprene in accordance with AMS 3208  
**D** Silicone in accordance with AA-59588  
**L** Fluorosilicone of fluorosilicone blend in accordance with MIL-DTL-25988





For MIL-DTL-22992 Class L

### ORDERING INFORMATION

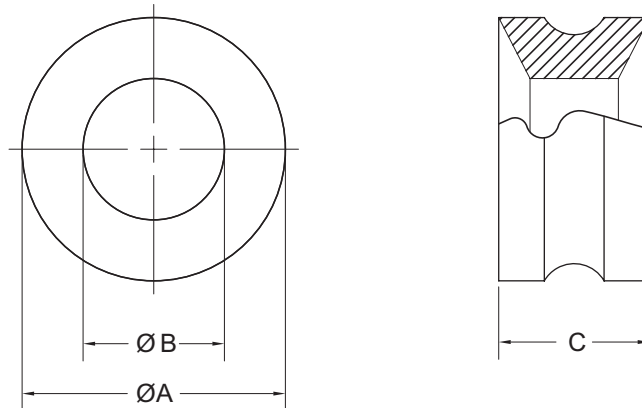
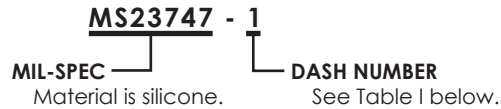


TABLE I

DASH NO.	MIL-DTL-22992 ARRANGEMENT NUMBER	ØA +0.000 -0.020 [+0.00 -0.51]	ØB +0.020 -0.000 [+0.51 0.001]	C	MIN. CABLE DIA. REF.
-1	28-03, -05, -06 32-02, -04	1.805 [45.85]	.969 [24.61]	1.034 [26.26]	.844 [21.44]
-2	28-13 32-03, -05, -12	1.805 [45.85]	1.130 [28.70]	1.034 [26.26]	1.005 [25.53]
-3	32-07	1.805 [45.85]	1.260 [32.00]	1.034 [26.26]	1.135 [28.83]
-4	28-02, -04	1.805 [45.85]	.844 [21.44]	1.034 [26.26]	.719 [18.26]
-5	44-02, -04	2.242 [56.95]	1.312 [33.32]	1.160 [29.46]	1.187 [30.15]
-6	44-06	2.242 [56.95]	1.375 [34.92]	1.160 [29.46]	1.250 [31.75]
-7	52-02	2.927 [74.35]	1.703 [43.26]	1.284 [32.61]	1.558 [39.57]
-8	52-06	2.927 [74.35]	1.797 [45.64]	1.284 [32.61]	1.652 [41.96]
-9	CANCELLED - USE MS23747-18				
-10	CANCELLED - NO SUPERSEDING NUMBERS				
-11	CANCELLED - NO SUPERSEDING NUMBERS				
-12	28-07, -12 32-06	1.805 [45.85]	1.047 [26.59]	1.034 [26.26]	.922 [23.42]
-13	32-13	1.805 [45.85]	1.342 [34.09]	1.034 [26.26]	1.217 [30.91]
-14	44-03, -06	2.242 [56.95]	1.438 [36.53]	1.160 [29.46]	1.313 [33.35]
-15	44-12	2.242 [56.95]	1.516 [38.51]	1.160 [29.46]	1.391 [35.33]
-16	44-13	2.242 [56.95]	1.672 [42.47]	1.160 [29.46]	1.547 [39.29]
-17	48-13	2.680 [68.07]	2.000 [50.80]	1.222 [31.04]	1.855 [47.12]
-18	52-12	2.927 [74.35]	2.328 [59.13]	1.284 [32.61]	2.183 [55.45]
-19	52-13	2.927 [74.35]	2.453 [62.31]	1.284 [32.61]	2.308 [58.62]
-20	44-51	2.242 [56.95]	1.734 [44.04]	1.160 [29.46]	1.609 [40.87]
-21	44-52	2.242 [56.95]	1.562 [39.67]	1.160 [29.46]	1.437 [36.50]
-22	44-56	2.242 [56.95]	1.150 [29.21]	1.160 [29.46]	1.025 [26.03]

Dimensions in brackets [ ] are in millimeters.

# RUBBER BUSHING

## SC229468

### ORDERING INFORMATION

**SC229468** **N** **16**  
 SERIES PREFIX      DASH NUMBER  
 See Table I below.

**MATERIAL**  
**D** Silicone, red.  
**G** Neoprene, green.  
**L** Fluorosilicone, blue.  
**N** Neoprene, black.  
**V** Fluorocarbon rubber.

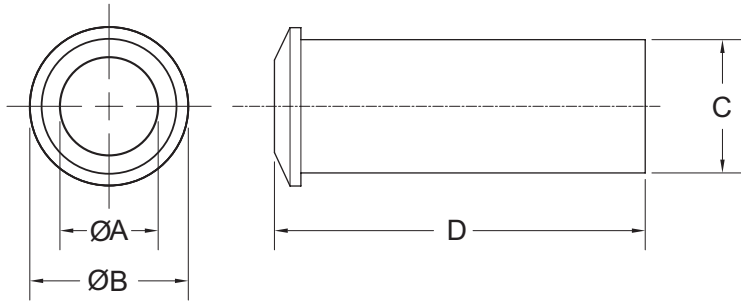


TABLE I

DASH NUMBER	ØA	ØB	ØC	D
-3	.130 [3.30]	.379 [9.63]	.210 [5.33]	2.875 [73.02]
-4	.220 [5.59]	.505 [12.83]	.302 [7.67]	2.750 [69.85]
-6	.312 [7.92]	.619 [15.72]	.427 [10.85]	2.625 [66.67]
-8	.437 [11.10]	.744 [18.90]	.552 [14.02]	2.500 [63.50]
-10	.562 [14.27]	.869 [22.07]	.615 [15.62]	2.375 [60.32]
-12	.625 [15.87]	1.064 [27.03]	.740 [18.80]	2.250 [57.15]
-16	.750 [19.05]	1.314 [33.38]	.927 [23.55]	2.125 [53.97]
-20	.937 [23.80]	1.596 [40.54]	1.240 [31.50]	2.000 [50.80]
-24	1.250 [31.75]	1.847 [46.91]	1.365 [34.67]	1.875 [47.62]
-28	1.375 [34.92]	2.085 [52.96]	1.614 [41.00]	1.750 [44.45]
-32	1.624 [41.25]	2.335 [59.31]	1.864 [47.35]	1.625 [41.27]
-40	1.634 [41.50]	2.835 [72.01]	1.874 [47.60]	1.500 [38.10]

Dimensions in brackets [ ] are in millimeters.

## SC229469

### ORDERING INFORMATION

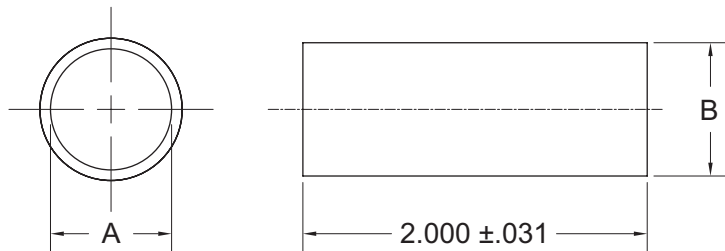
TABLE I

DASH NUMBER	ØA	ØB
-3	.125 [3.17]	.210 [5.33]
-4	.219 [5.56]	.302 [7.67]
-6	.312 [7.92]	.427 [10.85]
-8	.438 [11.13]	.531 [13.49]
-10	.438 [11.13]	.615 [15.62]
-12	.541 [13.74]	.740 [18.80]
-16	.750 [19.05]	.927 [23.55]
-18	.938 [23.83]	1.115 [28.32]
-20	.938 [23.83]	1.240 [31.50]
-24	1.125 [28.57]	1.365 [34.67]
-28	1.250 [31.75]	1.614 [41.00]
-32	1.625 [41.27]	1.865 [47.37]
-40	1.875 [47.62]	2.365 [60.07]

Dimensions in brackets [ ] are in millimeters.

**SC229469** **N** **16**  
 SERIES PREFIX      DASH NUMBER  
 See Table I below.

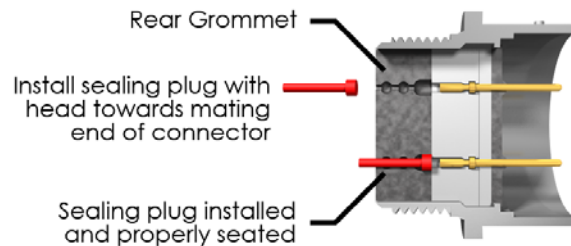
**MATERIAL**  
**F** Fluorosilicone, blue.  
**N** Neoprene, black.  
**S** Silicone, red.



# SECTION 17D

## SEALING PLUGS

### RECOMMENDED INSTALLATION FOR SINGLE-HEAD SEALING PLUGS



When installing sealing plugs, the head of the sealing plug shall be inserted first as shown in the illustration above. The sealing plug shall then be pushed into the grommet until the head is positioned against the end of the unwired contact or empty grommet cavity. After placement, the portion of the sealing plug that protrudes beyond the grommet can be cut off to 0.100 inch from the grommet face.

The use of tools for sizes 12 and smaller will aid in the installation by supporting the sealing plug during head-first insertion. The tool rides against the shoulder on the back of the sealing plug head during installation rather than pushing on the tail end of the unsupported stem. Tools are not recommended for installation of sealing plugs size 8 or larger. The table below shows the contact installation tools which may be used for sealing plug installation.

SEALING PLUG	INSTALLATION TOOL
MS27488-12-2 or -3	M81969/14-04
MS27488-16-2 or -3	M81969/14-03
MS27488-20-2	M81969/14-11
MS27488-22-2	M81969/14-01

The tools shown in the table above will not remove installed sealing plugs. The plugs are removed by grasping the tail end of the sealing plug that is left protruding outside the grommet and pulling the plug from the grommet.

# SEALING PLUG

## M85049/80

For use in MIL-DTL-38999, Series I, III, or IV Connectors in Size 16 contact cavities.

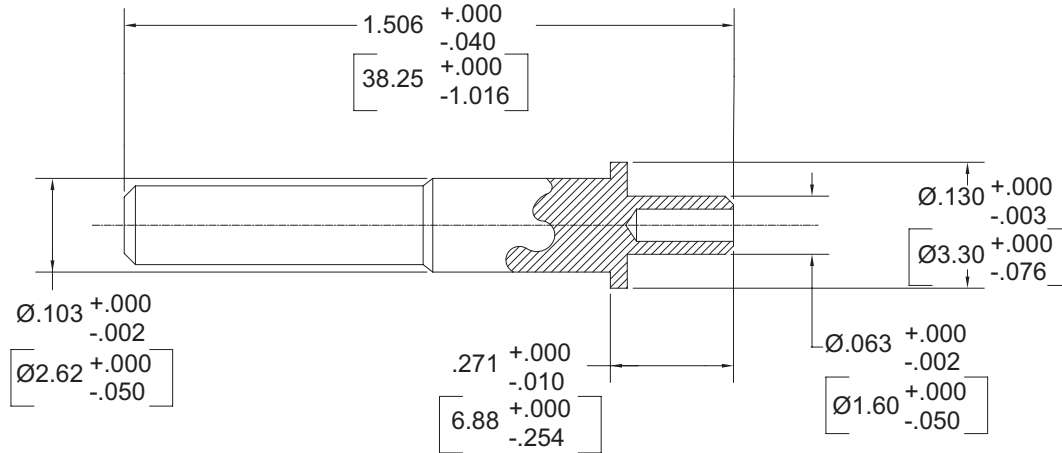
Dummy contacts are to be used in lieu of contacts and sealing plugs in unwired contact cavities for both pin and socket inserts.

### ORDERING INFORMATION

**M85049/80 - 16**

MIL-SPEC ——— SIZE

Material: Plastic Rod  
Color: Yellow



For use in MIL-DTL-38999, Series I, III, or IV Connectors in Size 12 contact cavities.

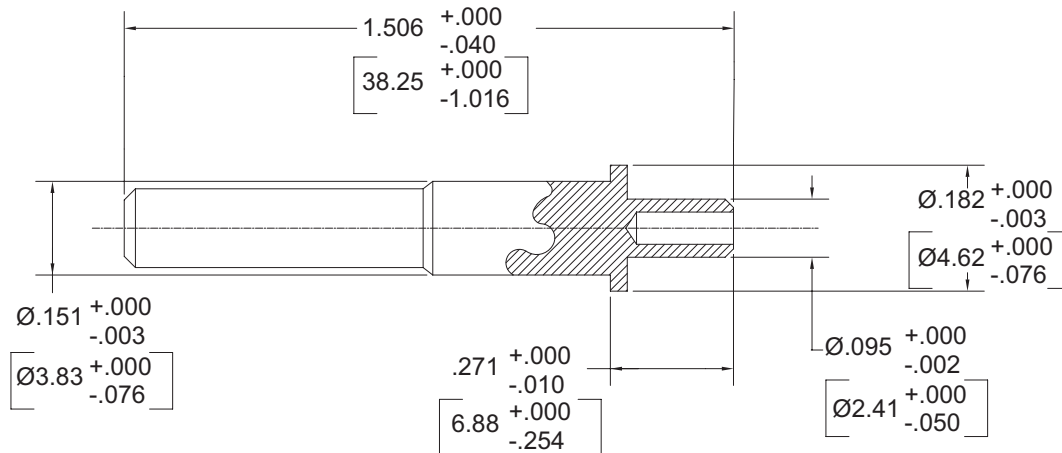
Dummy contacts are to be used in lieu of contacts and sealing plugs in unwired contact cavities for both pin and socket inserts.

### ORDERING INFORMATION

**M85049/80 - 12**

MIL-SPEC ——— SIZE

Material: Plastic Rod  
Color: Yellow



For use in MIL-DTL-38999, Series I, III, or IV Connectors in Size 8 contact cavities.

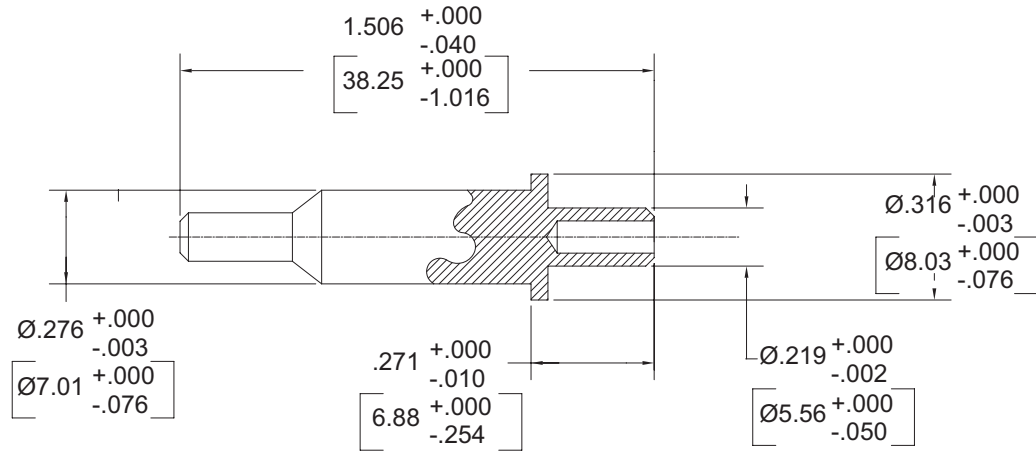
Dummy contacts are to be used in lieu of contacts and sealing plugs in unwired contact cavities for both pin and socket inserts.

### ORDERING INFORMATION

**M85049/80 - 8**

MIL-SPEC ——— SIZE

Material: Plastic Rod  
Color: Red



Dimensions in brackets [ ] are in millimeters.

## M85049/81

For Use In MIL-DTL-38999, Series I, III, or IV Connectors in Size 12 contact cavities.

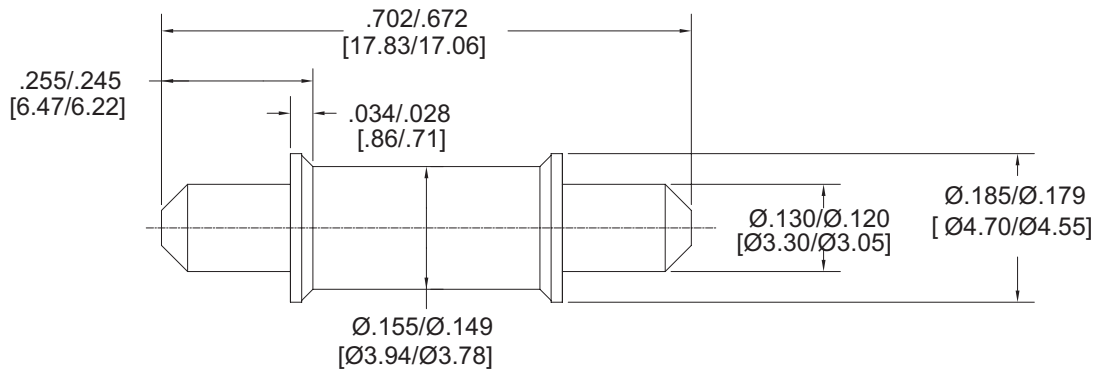
Dummy contacts are to be used in lieu of contacts and sealing plugs in unwired contact cavities for both pin and socket inserts.

### ORDERING INFORMATION

**M85049/81 - 10**

MIL-SPEC ——— SIZE

Material: Plastic Rod  
Color: Green



Dimensions in brackets [ ] are in millimeters.

# SEALING PLUG

## MS3187

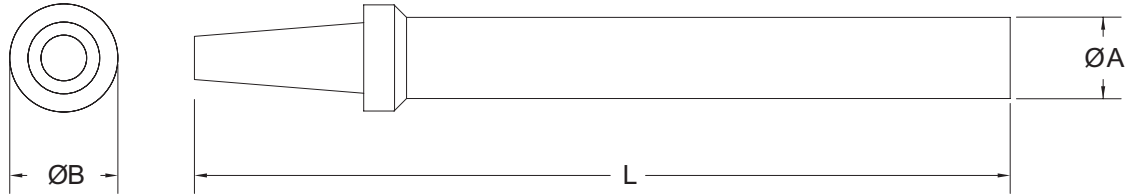
### ORDERING INFORMATION

**MS3187 - A20**

MIL-SPEC

DASH NUMBER

See Dimension Table below.



PART NUMBER	MAT'L	WIRE SIZE	COLOR	ØA MAX.	ØB MAX.	L MAX.	APPLICATION
MS3187-A20	Nylon	20	Red	.069 [1.75]	.106 [2.69]	.610 [15.49]	MIL-C-26482
MS3187-16	Nylon	16	Blue	.091 [2.31]	.105 [2.67]	.630 [16.00]	
MS3187-12	Nylon	12	Yellow	.123 [3.12]	.153 [3.89]	.630 [16.00]	

Dimensions in brackets [ ] are in millimeters.

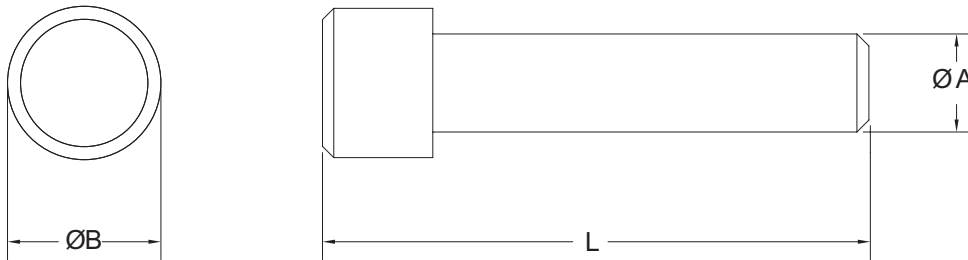
### ORDERING INFORMATION

**MS3187 - 20 - 2**

MIL-SPEC

DASH NUMBER

See Dimension Table below.



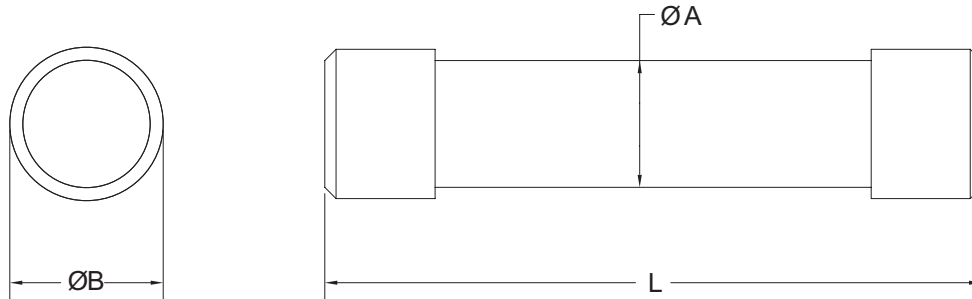
DASH NO.	MAT'L	WIRE SIZE	COLOR	ØA MAX.	ØB MAX.	L MAX.	SUPERSEDED BY REV. L	APPLICATION
-20-2	Teflon	20	Red	.065 [1.65]	.100 [2.54]	.584 [14.83]	MS27488-20-1	AS50151 All Series MIL-C-26482 SAE-AS81703
-16-2	Teflon	16	Blue	.093 [2.36]	.138 [3.51]	.584 [14.83]	MS27488-16-1	
-12-2	Teflon	12	Yellow	.131 [3.33]	.176 [4.47]	.584 [14.83]	MS27488-12-1	
-8-2	Teflon	8	Red	.195 [4.95]	.320 [8.13]	.480 [12.19]	MS27488-8-1	
-4-2	Teflon	4	Blue	.320 [8.13]	.420 [10.67]	.480 [12.19]	MS27488-4-1	
-0-2	Teflon	0	Yellow	.450 [11.43]	.610 [15.49]	1.010 [25.65]	MS27488-0-1	

Dimensions in brackets [ ] are in millimeters.



### ORDERING INFORMATION

**MS25251 - 8**  
 MIL-SPEC ——— DASH NUMBER  
 See Dimension Table below.



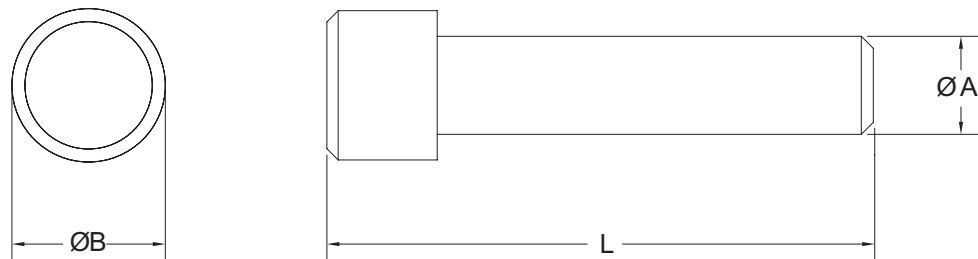
DASH NO.	MAT'L	WIRE SIZE	COLOR	ØA MAX.	ØB MAX.	L MAX.	SUPERSEDED BY REV. M	APPLICATION
-8	Nylon	8	White	.200 [5.08]	.235 [5.97]	.479 [12.17]	MS27488-8-1	AS50151 All Series  MIL-C-26482  SAE-AS81703
-12	Nylon	12	Yellow	.150 [3.81]	.187 [4.75]	.479 [12.17]	MS27488-12-1	
-16	Nylon	16	Blue	.115 [2.92]	.152 [3.86]	.479 [12.17]	MS27488-16-1	
-20	Nylon	20	Red	.095 [2.41]	.122 [3.10]	.385 [9.78]	MS27488-20-1	

Dimensions in brackets [ ] are in millimeters.

## MS27186

### ORDERING INFORMATION

**MS27186 - 1**  
 MIL-SPEC ——— DASH NUMBER  
 See Dimension Table below.



DASH NUMBER	MAT'L	WIRE SIZE	COLOR	ØA MAX.	ØB MAX.	L MAX.	SUPERSEDED BY REV. M	APPLICATION
-1	Teflon	20	Red	.066 [1.68]	.085 [2.16]	.686 [17.42]	MS27488-20-1	MIL-C-26500  MIL-C-28840
-2	Teflon	16	White	.082 [2.08]	.093 [2.36]	.946 [24.03]	MS27488-16-1	
-3	Teflon	50 OHM COAX	White	.088 [2.24]	.119 [3.02]	.919 [23.34]	MS27488-12-1	

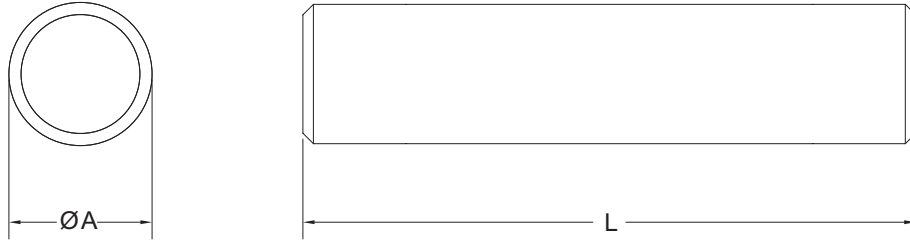
Dimensions in brackets [ ] are in millimeters.

# SEALING PLUG

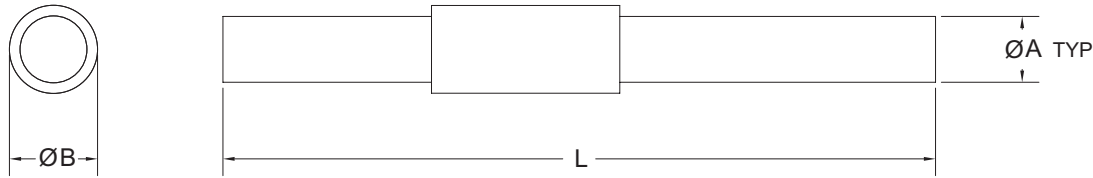
MS27187-1, -2, -3 & -4

## ORDERING INFORMATION

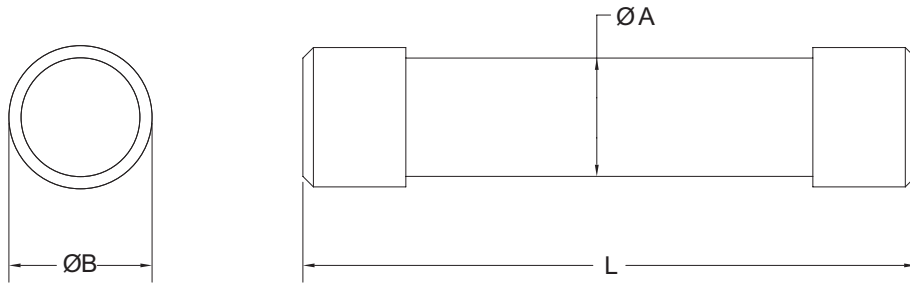
**MS27187 - 1**  
 MIL-SPEC      DASH NUMBER  
 See Table I below.



MS27187-1, MS27187-2



MS27187-3



MS27187-4

TABLE I

DASH NO.	MAT'L	WIRE SIZE	COLOR	ØA MAX.	ØB MAX.	L MAX.	SUPERSEDED BY REV. M	APPLICATION
-1	Teflon	16	Blue	.105 [2.67]	N/A	.565 [14.35]	MS27488-16-1	MIL-C-26500
-2	Teflon	12	Yellow	.145 [3.68]	N/A	.565 [14.35]	MS27488-12-1	
-3	Teflon	22	White	.053 [1.35]	.064 [1.63]	.946 [24.03]	MS27488-20-1	MIL-C-26500
-4	Teflon	20 SHEILDED	White	.290 [7.37]	.330 [8.38]	.750 [19.05]	MS27488-4-1	MIL-C-26500

Dimensions in brackets [ ] are in millimeters.





When Revision F was released on 31 October 1979, there was opposition to this change. The purpose of this new revision was to consolidate all sealing plugs under one specification. A problem arose when using the Revision F sealing plug on miniature or subminiature type connectors (i.e., MIL-DTL-38999). The overall length of the sealing plug is such that it can interfere with a cable clamp or back end accessory since it extends beyond the end of the grommet.

In a meeting held by the A2C committee of the SAE on 6 October 1980, it was determined that there should be two lengths for these sealing plugs. Cognizant agencies and manufacturers were to be solicited for dimensions on a shorter length. It was anticipated that this change would go into effect either in late 1981 or early 1982.

During the interim period, Revision D of this specification (which is an entirely different configuration) was to be used with miniature or subminiature type connectors.

A brief history of MS27488 revisions is as follows:

## REVISION D

Revision D was in effect from 2 February 1976 until 19 April 1979.

## REVISION E

Revision E was released on 20 April 1979 and was intended to supersede Revision D as well as six other M or MS part-numbered sealing plugs. Shortly after the release of this revision, it was determined that there were dimensional errors in the A diameter that would not allow this sealing plug to be used as a replacement part. Therefore, on 31 October 1979 it was superseded by Revision F.

## REVISION F

Revision F corrected the dimensional errors in Revision E and allowed a wider latitude of materials.

## REVISIONS G AND H

Revisions G and H revised materials and added the length of time obsolete parts could be used. There were no dimensional changes.

## REVISION J (29 OCTOBER 1982)

Revision J was a complete specification revision. In addition to dimensional changes, the configuration of the sealing plug was changed. The sealing plugs now have a "head" on them.

## REVISION K (19 NOVEMBER 1982)

No dimensional changes occurred but the designation of the 'A' diameter of Revision J was changed to '13' and the designation of the '13' diameter of Revision J was changed to 'A'. Revision K also allowed the use of old stock until depletion.

## REVISION L (15 MARCH 1985)

No dimensional changes occurred. The .040/1.02 dimension was deleted from the inch/metric table and perfluoroalkoxy (PFA) was added to the material list. Revision L allows the use of old stock until depletion.

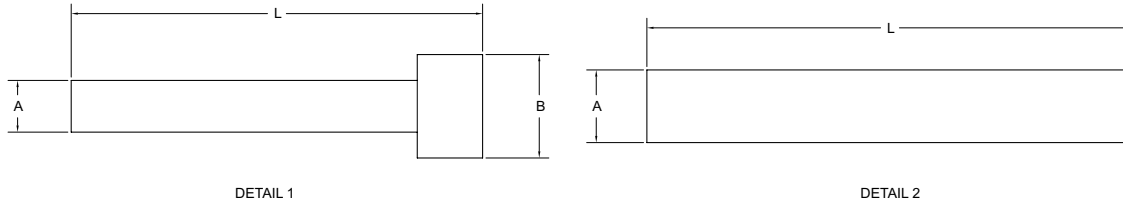
## REVISION M (29 SEPTEMBER 2000)

Until now, in all the previous revisions the part number did not change. With revision M, there is a change to the part number (as well as dimensions). All MS27488 part numbers end in "-1" eg. MS27488-22-1.

## REVISION N (22 SEPTEMBER 2008)

Until now, in all the previous revisions, the part number did not change. With revision N, there is a change to the part number (as well as dimensions). All MS27488 part numbers end in "-2 or -3" eg. MS27488-22-2.

# MS27488 SPECIFICATION SUMMARY



REVISION	MIL-SPEC	DETAIL	MATERIAL	WIRE SIZE	COLOR	A Dia. Max	B Dia. Max.	L Max.	APPLICATION
REV D	MS27488-12	1	Teflon	12	Yellow	.110	.150	.500	MIL-DTL-38999
	MS27488-16	1	Teflon	16	Blue	.079	.120	.500	
	MS27488-20	1	Teflon	20	Red	.070	.090	.500	
	MS27488-22	1	Teflon	22	Black	.045	.068	.500	
REV E	MS27488A0	2	Teflon	0	Yellow	.398	N/A	1.415	AS50151
	MS27488A4	2	Teflon	4	Blue	.364	N/A	1.415	MIL-DTL-26482 Series I & II
	MS27488A8	2	Teflon	8	Red	.232	N/A	1.415	MIL-DTL-26500
	MS27488A12	2	Teflon	12	Yellow	.133	N/A	1.290	MIL-DTL-38999
	MS27488A16	2	Teflon	16	Blue	.094	N/A	1.290	MIL-DTL-81511 Series 3 & 4
	MS27488A20	2	Teflon	20	Red	.070	N/A	1.165	MIL-DTL-81659 Series II
	MS27488A22	2	Teflon	22	Green	.046	N/A	1.165	SAE-AS81703 Series 3 MIL-DTL-83723 Series II & III
REV F, G, & H	MS27488-0	2	Teflon	0	Yellow	.440	N/A	1.415	AS50151
	MS27488-4	2	Teflon	4	Blue	.315	N/A	1.415	MIL-DTL-26482 Series I & II
	MS27488-8	2	Teflon	8	Red	.190	N/A	1.415	MIL-DTL-26500
	MS27488-12	2	Teflon	12	Yellow	.128	N/A	1.290	MIL-DTL-38999
	MS27488-16	2	Teflon	16	Blue	.088	N/A	1.290	MIL-DTL-81511 Series 3 & 4
	MS27488-20	2	Teflon	20	Red	.065	N/A	1.165	MIL-DTL-81659 Series II
	MS27488-22	2	Teflon	22	Black	.038	N/A	1.165	SAE-AS81703 Series 3 MIL-DTL-83723 Series II & III
REV J, K & L	MS27488-0	1	Teflon	0	Yellow	.450	.610	1.010	AS50151
	MS27488-4	1	Teflon	4	Blue	.320	.420	.480	MIL-DTL-26482 Series I & II
	MS27488-8	1	Teflon	8	Red	.195	.320	.480	MIL-DTL-26500
	MS27488-12	1	Teflon	12	Yellow	.131	.176	.584	MIL-DTL-38999
	MS27488-16	1	Teflon	16	Blue	.093	.138	.584	MIL-DTL-81511 Series 3 & 4
	MS27488-20	1	Teflon	20	Red	.065	.100	.584	MIL-DTL-81659 Series II
	MS27488-22	1	Teflon	22	Black	.045	.068	.500	SAE-AS81703 Series 3 MIL-DTL-83723 Series II & III
REV M	See Next Page for details.								

Dimensions in brackets [ ] are in millimeters.

## MS27488 REVISION M & N SUPERSESSION DATA

PART NUMBER	SUPERSEDED BY
M81511/39-12	MS27488-12-2
M81511/39-16	MS27488-16-2
M81511/39-20	MS27488-20-2
M81511/39-22	MS27488-22-2
M83723/28-0	MS27488-0-3
M83723/28-4	MS27488-4-3
M83723/28-8	MS27488-8-3
M83723/28-12	MS27488-12-2
M83723/28-16	MS27488-16-2
M83723/28-20	MS27488-20-2
M83723/28-20	MS27488-20-2
MS3187-0-2	MS27488-0-1
MS3187-4-2	MS27488-4-1
MS3187-8-2	MS27488-8-1
MS3187-12-2	MS27488-12-1

PART NUMBER	SUPERSEDED BY
MS3187-16-2	MS27488-16-1
MS3187-20-2	MS27488-20-1
MS25251-8	MS27488-8-1
MS25251-12	MS27488-12-1
MS25251-16	MS27488-16-1
MS25251-20	MS27488-20-1
MS27186-1	MS27488-20-2
MS27186-2	MS27488-16-2
MS27186-3	MS27488-12-2
MS27187-1	MS27488-16-2
MS27187-2	MS27488-12-2
MS27187-3	MS27488-20-2
MS27187-4	MS27488-4-3
MS27488-0	MS27488-0-3

PART NUMBER	SUPERSEDED BY
MS27488-0-1	MS27488-0-3
MS27488-4	MS27488-4-3
MS27488-4-1	MS27488-4-3
MS27488-8	MS27488-8-3
MS27488-8-1	MS27488-8-3
MS27488-12	MS27488-12-3
MS27488-12-1	MS27488-12-3
MS27488-16	MS27488-16-3
MS27488-16-1	MS27488-16-3
MS27488-20	MS27488-20-3
MS27488-20-1	MS27488-20-3
MS27488-22	MS27488-22-3
MS27488-22-1	MS27488-22-3



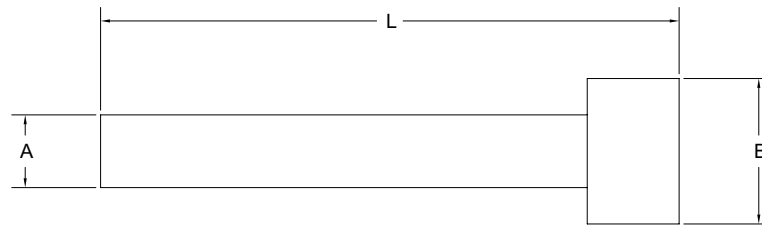
### ORDERING INFORMATION

**MS27488 - 12**

MIL-SPEC

DASH NUMBER

See Dimension Table below.



DASH NO.	MAT'L	WIRE SIZE	COLOR	ØA MAX.	ØB MAX.	L MAX.	APPLICATION
-12	TEFLON	12	YELLOW	.110 [2.79]	.150 [3.81]	.500 [12.70]	MIL-DTL-38999
-16	TEFLON	16	BLUE	.079 [2.01]	.120 [3.05]	.500 [12.70]	
-20	TEFLON	20	RED	.070 [1.78]	.090 [2.29]	.500 [12.70]	
-22	TEFLON	22	BLACK	.045 [1.14]	.068 [1.73]	.500 [12.70]	

Dimensions in brackets [ ] are in millimeters.

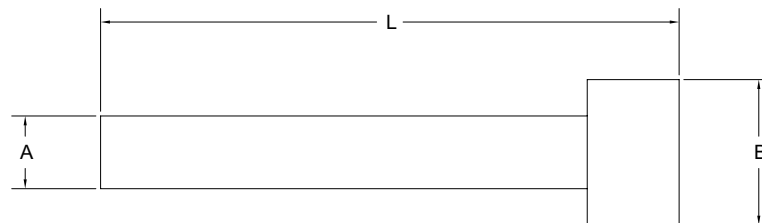
### ORDERING INFORMATION

**MS27488 - 4**

MIL-SPEC

DASH NUMBER

See Dimension Table below.



DASH NO.	MAT'L	WIRE SIZE	COLOR	ØA MAX.	ØB MAX.	L MAX.	APPLICATION
-0	TEFLON	0	YELLOW	.450 [11.43]	.610 [15.49]	1.010 [25.65]	AS50151 MIL-C-26482 SERIES I & II MIL-C-26500 MIL-DTL-38999 MIL-C-81511 SERIES 3 & 4 MIL-C-81659 SERIES II SAE-AS81703 SERIES 3 MIL-DTL-83723 SERIES II & III
-4	TEFLON	4	BLUE	.320 [8.13]	.420 [10.67]	.480 [12.19]	
-8	TEFLON	8	RED	.195 [4.95]	.320 [8.13]	.480 [12.19]	
-12	TEFLON	12	YELLOW	.131 [3.33]	.176 [4.47]	.584 [14.83]	
-16	TEFLON	16	BLUE	.093 [2.36]	.138 [3.51]	.584 [14.83]	
-20	TEFLON	20	RED	.065 [1.65]	.100 [2.54]	.584 [14.83]	
-22	TEFLON	22	BLACK	.045 [1.14]	.068 [1.73]	.500 [12.70]	

Dimensions in brackets [ ] are in millimeters.

# SEALING PLUG

MS27488 REV M

## ORDERING INFORMATION

**MS27488 - 12 - 1**

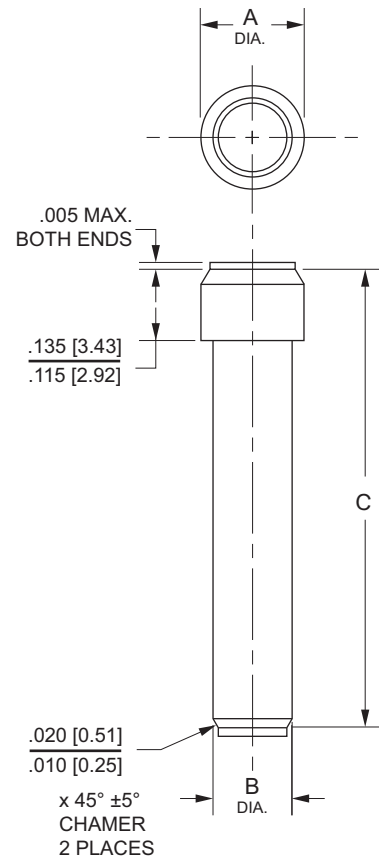
MIL-SPEC

DASH NUMBER

See Dimension Table below.

DASH NO.	COLOR CODE	A DIA.	B DIA.	C DIM.	CONNECTOR CONTACT SIZE (GROMMET CAVITY SIZE)
-22-1	Black	0.066 - 0.058 [1.68 - 1.47]	0.045 - 0.038 [1.14 - 0.97]	0.796 - 0.746 [20.22 - 18.95]	23-22
-20-1	Red	0.090 - 0.080 [2.29 - 2.03]	0.058 - 0.048 [1.47 - 1.22]	0.805 - 0.755 [20.45 - 19.18]	20
-16-1	Blue	0.130 - 0.120 [3.30 - 3.05]	0.079 - 0.069 [2.01 - 1.75]	1.472 - 1.422 [37.39 - 36.12]	16
-12-1	Yellow	0.170 - 0.160 [4.32 - 4.06]	0.125 - 0.115 [3.18 - 2.92]	1.441 - 1.391 [36.60 - 35.33]	12
-8-1	Red	0.315 - 0.305 [8.00 - 7.75]	0.175 - 0.165 [4.45 - 4.19]	1.189 - 1.139 [30.20 - 28.93]	8
-4-1	Blue	0.414 - 0.404 [10.52 - 10.26]	0.283 - 0.273 [7.19 - 6.93]	1.189 - 1.139 [30.20 - 28.93]	4
-0-1	Yellow	0.606 - 0.596 [15.39 - 15.14]	0.431 - 0.416 [10.95 - 10.57]	1.071 - 1.021 [27.20 - 25.93]	0

Dimensions in brackets [ ] are in millimeters.



# MS27488 REV N

## ORDERING INFORMATION

**MS27488 - 12 - 2**

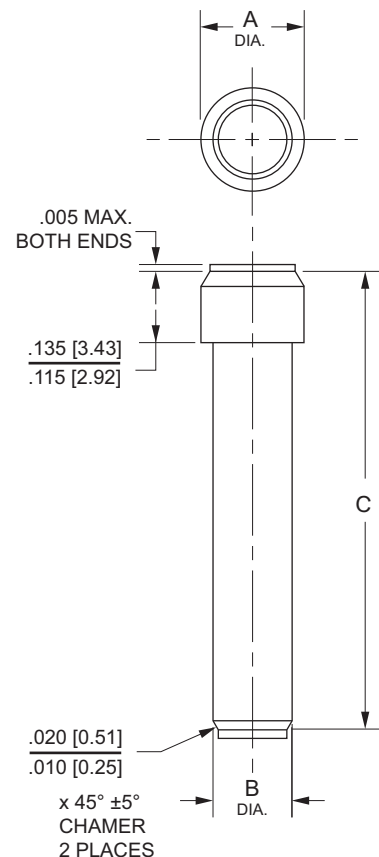
MIL-SPEC

DASH NUMBER

See Dimension Table below.

DASH NO.	COLOR CODE	A DIA.	B DIA.	C DIM.	CONNECTOR CONTACT SIZE (GROMMET CAVITY SIZE)
-22-2	Black	0.066 - 0.058 [1.68 - 1.47]	0.045 - 0.038 [1.14 - 0.97]	0.500 - 0.438 [12.70 - 11.13]	23-22
-20-2	Red	0.090 - 0.080 [2.29 - 2.03]	0.058 - 0.048 [1.47 - 1.22]	0.805 - 0.755 [20.45 - 19.18]	20
-16-2	Blue	0.130 - 0.120 [3.30 - 3.05]	0.079 - 0.069 [2.01 - 1.75]	0.872 - 0.822 [22.15 - 20.88]	16
-16-3	Blue	0.130 - 0.120 [3.30 - 3.05]	0.079 - 0.069 [2.01 - 1.75]	1.472 - 1.422 [37.39 - 36.12]	16
-12-2	Orange	0.170 - 0.160 [4.32 - 4.06]	0.125 - 0.115 [3.18 - 2.92]	0.841 - 0.791 [21.36 - 20.09]	12
-12-3	Yellow	0.170 - 0.160 [4.32 - 4.06]	0.125 - 0.115 [3.18 - 2.92]	1.441 - 1.391 [36.60 - 35.33]	12
-8-3	Red	0.315 - 0.305 [8.00 - 7.75]	0.175 - 0.165 [4.45 - 4.19]	1.189 - 1.139 [30.20 - 28.93]	8
-4-3	Blue	0.414 - 0.404 [10.52 - 10.26]	0.283 - 0.273 [7.19 - 6.93]	1.189 - 1.139 [30.20 - 28.93]	4
-0-3	Yellow	0.606 - 0.596 [15.39 - 15.14]	0.431 - 0.416 [10.95 - 10.57]	1.071 - 1.021 [27.20 - 25.93]	0

Dimensions in brackets [ ] are in millimeters.



# SECTION 18D

## CRIMP CONTACT ADAPTERS

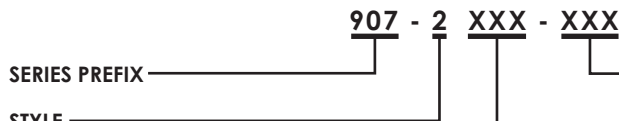
18D

# CRIMP CONTACT ADAPTER

## FOR WIRE SIZE SMALLER/LARGER THAN CONTACT

### 907-2\*\*\* SERIES

#### ORDERING INFORMATION



**SERIES PREFIX**

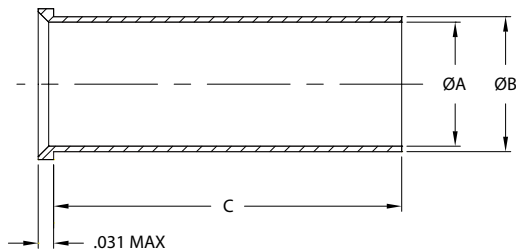
**STYLE**

- 1 For wire size larger than contact.
- 2 For wire size smaller than contact.

**MATERIAL /FINISH**

- 110 Brass, Silver over nickel.
- 140 Brass, Light gold over nickel.
- 142 Brass, Heavy gold over nickel.
- \* Material/finish codes -000 & -011 are obsolete. Both replaced by-110.

**DESCRIPTIVE NUMBER**



1. Material: brass alloy #360.
2. Finish:  
Treatment: anneal in a inert atmosphere oven for 1 (one) hour @ 900°F.
3. All machined surfaces to have a 63 finish or better.
4. Remove all burrs and sharp edges .005R Max.
5. All corner and fillet radii to be .005 R Max.
6. All dimensions apply before plating.

PART NUMBER	MILITARY MS3348	CRIMP CONTACT WIRE BARREL SIZE AWG	WIRE SIZE AWG	WIRE SIZE MM	A +.002 -.003	B +.002 -.003	C Ref.
907-2005-***	-	20	26	0.14	.023	.042	.120
907-2011-***	-	20	26	0.14	.023	.042	.120
907-2010-***	-	20	24-30	0.25-0.05	.027	.042	.120
907-2012-***	-	16	-	0.12	.033	.063	.230
907-2013-***	-	16	26	0.14	.033	.063	.230
907-2016-***	-	16	24	0.25	.035	.063	.230
907-2020-***	-	16	22-24	0.34	.035	.063	.230
907-2021-***	-	16	22	0.34	.043	.063	.230
907-2022-***	-	16	22	0.34	.035	.063	.190
907-2025-***	-	16	22	0.34	.043	.059	.149
907-2030-***	-	16	20	0.50	.046	.063	.230
907-2037-***	-	14	22	0.34	.043	.070	.230
907-2038-***	-	12	20	0.50	.046	.094	.221
907-2039-***	-	12	18	0.75	.065	.094	.221
907-2040-***	-	12	16	1.50	.069	.094	.230
907-2041-***	-	12	18	0.75	.054	.094	.221
907-2043-***	-	6.0 MM	-	1.50	.068	.140	.230
907-2045-***	-	6.0 MM	-	2.50	.086	.140	.230
907-2049-***	-	8	18	0.75	.065	.173	.380
907-2050-***	-	8	16	1.50	.069	.173	.380
907-2051-***	-	8	16	1.50	.072	.173	.422
907-2053-***	-	8	14	2.50	.086	.173	.422
907-2055-***	-	8	14	2.50	.086	.173	.422
907-2056-***	-	8	12	3.00	.111	.173	.380
907-2060-***	-	8	12	3.00	.111	.173	.380
907-2061-***	-	8	12	3.00	.111	.173	.380
907-2062-***	-	8	12	3.00	.111	.178	.380
907-2068-***	-	8	10	6.00	.126	.175	.380
907-2070-***	MS3348-8-10	8	10	6.00	.136	.173	.380
907-2071-***	-	8	10	6.00	.144	.173	.380
907-2072-***	-	8	10	6.00	.136	.173	.422
907-2073-***	-	8SP	12	3.00	.100	.130	.422
907-2077-***	-	10 MM	12	3.00	.100	.173	.422
907-2080-***	MS3348-6-10L	6	10	6.0	.136	.225	.700
907-2090-***	MS3348-6-9	6	9	-	.155	.225	.700
907-2100-***	MS3348-6-8L	6	8	10.0	.185	.225	.700
907-2102-***	-	16 MM	-	2.5	.086	.240	.480
907-2103-***	-	16 MM	-	4.0	.111	.240	.480
907-2105-***	-	16 MM	-	6.0	.144	.240	.480
907-2107-***	-	16 MM	-	10.0	.185	.240	.480
907-2108-***	-	4	10	6.0	.136	.272	.373
907-2109-***	-	4	10	6.0	.144	.272	.380
907-2110-***	-	4	8	10.0	.185	.272	.380



# CRIMP CONTACT ADAPTER

## FOR WIRE SIZE SMALLER/LARGER THAN CONTACT

### 907-2\*\*\* SERIES

PART NUMBER	MILITARY MS3348	CRIMP CONTACT WIRE BARREL SIZE AWG	WIRE SIZE AWG	WIRE SIZE MM	A +.002 -.003	B +.002 -.003	C Ref.
907-2111-***	MS3348-4-8L	4	8	10.0	.185	.272	.700
907-2112-***	-	4	8	10.0	.197	.272	.380
907-2113-***	-	4	-	15.0	.197	.272	.380
907-2114-***	-	4	8	10.0	.197	.272	.380
907-2117-***	-	4	6	16.0	.225	.272	.422
907-2118-***	-	4	12	4.0	.101	.272	.240
907-2119-***	MS3348-4-6L	4	6	2.5	.235	.272	.700
907-2120-***	MS3348-4-6	4	6	16.0	.225	.272	.380
907-2130-***	-	4	6	16.0	.225	.272	.700
907-2140-***	MS3348-4-5L	4	5	15.0	.250	.272	.380
907-2150-***	-	4	5	15.0	.242	.272	.380
907-2152-***	-	4	5	15.0	.240	.272	.440
907-2153-***	-	4	6	16.0	.244	.272	.440
907-2154-***	-	4	313 MCM	-	.730	.823	-
907-2155-***	-	25 MM	-	6.0	.144	.300	.480
907-2156-***	-	25 MM	-	16.0	.244	.300	.480
907-2158-***	-	2	4	-	-	-	-
907-2160-***	MS3348-1-6L	1	6	16.0	.225	.396	.700
907-2165-***	-	1	6	16.0	.250	.396	.700
907-2170-***	MS3348-1-2L	1	2	35.0	.359	.396	.700
907-2171-***	-	50 MM	-	25.0	.300	.415	.600
907-2172-***	-	1/0	10	6.0	.136	.444	.644
907-2173-***	-	1/0	8	9.0	.185	.444	.644
907-2174-***	-	1/0	-	10.0	.197	.444	.644
907-2175-***	-	1/0	6	16.0	.225	.444	.644
907-2176-***	-	1/0	-	16.0	.244	.444	.536
907-2178-***	-	1/0	-	20.0	.195	.444	.536
907-2179-***	-	1/0	-	25.0	.307	.444	.536
907-2180-***	-	1/0	4	25.0	.299	.444	.536
907-2181-***	-	1/0	-	10.0	.197	.444	.500
907-2182-***	-	1/0	2	35.0	.244	.444	.500
907-2183-***	-	1/0	-	25.0	.307	.444	.500
907-2184-***	-	1/0	-	35.0	.354	.444	.500
907-2185-***	-	1/0	-	50.0	.421	.444	.500
907-2186-***	-	1/0	2	35.0	.359	.444	.664
907-2187-***	-	1/0	4	25.0	.282	.444	.664
907-2188-***	-	1/0	4	25.0	.282	.444	.536
907-2190-***	MS3348-0-2	1/0	2	35.0	.359	.444	.536
907-2210-***	-	1/0	2	35.0	.417	.444	.536
907-2200-***	-	1/0	1	50.0	.390	.444	.536
907-2201-***	-	50 MM	-	35.0	.354	.410	.500
907-2202-***	-	1/0	-	50.0	.421	.444	.536
907-2203-***	-	2/0	2	35.0	.359	.491	.528
907-2204-***	-	2/0	-	25.0	.307	.491	.528
907-2205-***	-	2/0	-	70.0	.440	.491	.528
907-2206-***	-	2/0	-	50.0	.421	.491	.528
907-2210-***	-	70MM	-	25.0	.307	.491	.500
907-2211-***	-	70MM	-	50.0	.421	.491	.500
907-2207-***	-	95 MM	-	70.0	-	-	-
907-2218-***	-	4/0	2/0	70.0	.500	.615	.700
907-2219-***	-	4/0	2	35.0	.560	.629	.700
907-2220-***	MS3348-4/0-2/0	4/0	2/0	70.0	.500	.629	.700
907-2221-***	-	4/0	3/0	95.0	.564	.629	.700
907-2230-***	-	150 MM	-	70.0	.500	.629	.700
907-2240-***	-	190 MM	4/0	107.0	.641	-	-
907-2250-***	-	DIN500	-	16.0	.244	-	-
907-2253-***	-	DIN500	-	35.0	.354	-	-

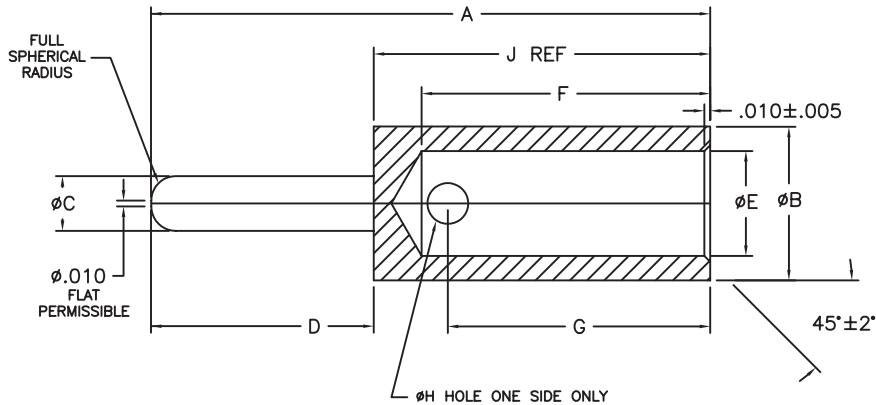
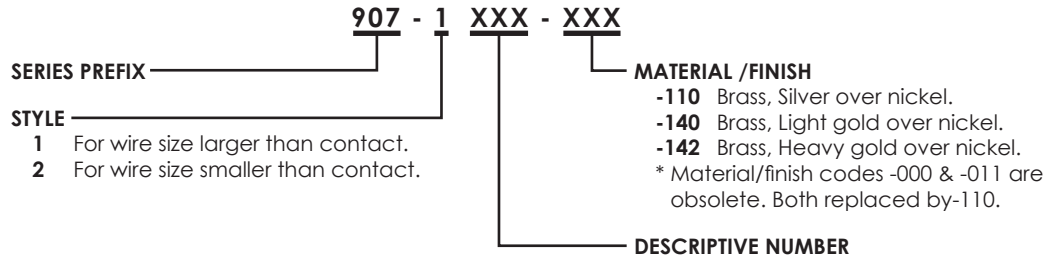
18D

# CRIMP CONTACT ADAPTER

## FOR WIRE SIZE LARGER THAN CONTACT

### 907-1\*\*\* SERIES

#### ORDERING INFORMATION



PART NUMBER	CRIMP CONTACT WIRE BARREL SIZE AWG	WIRE SIZE AWG	A ±.010	B ±.002	C ±.002	D ±.005	E ±.002	F ±.010	G ±.005	H ±.002	J REF
907-1010-***	12	8-10	.807	.264	.094	.230	.181	.495	.450	.070	.577
907-1020-***	16	12-14	.549	.149	.062	.230	.100	.260	.220	.039	.319
907-1021-***	16	12-14	.617	.156	.062	.200	.100	.200	.160	.039	.400
907-1030-***	20	12-14	.509	.149	.038	.190	.100	.260	.220	.039	.319
907-1040-***	20	16-18	.499	.102	.038	.190	.067	.260	.220	.039	.309
907-1050-***	22	20-22	.363	.069	.029	.120	.047	.199	.190	.029	.243
907-1060-***	22	16-18	.429	.102	.029	.120	.067	.260	.220	.039	.309





# SECTION 19D

## CROSS REFERENCE/INDEX

19D



# CROSS REFERENCE/INDEX

A10089	1/4" Band, Flat (SCPBE02F) . . . . .	8D-34
A10088	1/4" Band, Coiled (SCPBE02C) . . . . .	8D-34
A31189	Mini Band, Flat (SCPBE04F) . . . . .	8D-34
A31188	Mini Band, Coiled (SCPBE04C) . . . . .	8D-34
A31089	Mini Band, Flat (SCPBE03F) . . . . .	8D-34
B001A-★	Non-Environmental Straight Backshell . . . . .	5D-2
B001B-★	Non-Environmental Straight Backshell . . . . .	5D-2
B001CC-★	Non-Environmental 45 Degree Backshell . . . . .	5D-2
B001D-★	Non-Environmental 90 Degree Backshell . . . . .	5D-2
B002A-★	Environmental Straight Backshell . . . . .	2D-2
B002B-★	Environmental Straight Backshell . . . . .	2D-2
B002CC-★	Environmental 45 Degree Backshell . . . . .	2D-2
B002D-★	Environmental 90 Degree Backshell . . . . .	2D-2
B003A-★	Non-Environmental EMI/RFI Straight Backshell, Cone Termination . . . . .	6D-2
B003B-★	Non-Environmental EMI/RFI Straight Backshell, Cone Termination . . . . .	6D-2
B003CC-★	Non-Environmental EMI/RFI 45 Degree Backshell, Cone Termination . . . . .	6D-2
B003D-★	Non-Environmental EMI/RFI 90 Degree Backshell, Cone Termination . . . . .	6D-2
B004A-★	Environmental EMI/RFI Straight Backshell, Cone Termination . . . . .	3D-2
B004B-★	Environmental EMI/RFI Straight Backshell, Cone Termination . . . . .	3D-2
B004CC-★	Environmental EMI/RFI 45 Degree Backshell, Cone Termination . . . . .	3D-2
B004D-★	Environmental EMI/RFI 90 Degree Backshell, Cone Termination . . . . .	3D-2
B005A-★	Straight Backshell, Crimp Ring Termination for Shrink Boot . . . . .	8D-2
B005B-★	Straight Backshell, Crimp Ring Termination for Shrink Boot . . . . .	8D-2
B005CC-★	45 Degree Backshell, Crimp Ring Termination for Shrink Boot . . . . .	8D-2
B005D-★	90 Degree Backshell, Crimp Ring Termination for Shrink Boot . . . . .	8D-2
B006A-★	Shrink Boot Adapter . . . . .	10D-2
B006B-★	Shrink Boot Adapter . . . . .	10D-2
B007A-★	Straight Backshell, Crimp Ring Termination . . . . .	8D-4
B007B-★	Straight Backshell, Crimp Ring Termination . . . . .	8D-4
B007CC-★	45 Degree Backshell, Crimp Ring Termination . . . . .	8D-4
B007D-★	90 Degree Backshell, Crimp Ring Termination . . . . .	8D-4
B012★	Shorting Can . . . . .	9D-2
B013★	Shorting Can . . . . .	9D-2
B014A-★	Non-Environmental EMI/RFI Straight Backshell, Inverted Cone Termination . . . . .	6D-4
B014B-★	Non-Environmental EMI/RFI Straight Backshell, Inverted Cone Termination . . . . .	6D-4
B014CC-★	Non-Environmental EMI/RFI 45 Degree Backshell, Inverted Cone Termination . . . . .	6D-4
B014D-★	Non-Environmental EMI/RFI 90 Degree Backshell, Inverted Cone Termination . . . . .	6D-4
B015A-★	Environmental EMI/RFI Straight Backshell, Inverted Cone Termination . . . . .	3D-4
B015B-★	Environmental EMI/RFI Straight Backshell, Inverted Cone Termination . . . . .	3D-4
B015CC-★	Environmental EMI/RFI 45 Degree Backshell, Inverted Cone Termination . . . . .	3D-4
B015D-★	Environmental EMI/RFI 90 Degree Backshell, Inverted Cone Termination . . . . .	3D-4
B023A-★	Environmental EMI/RFI Straight Backshell, 2-Ring Termination . . . . .	3D-6
B023B-★	Environmental EMI/RFI Straight Backshell, 2-Ring Termination . . . . .	3D-6
B023CC-★	Environmental EMI/RFI 45 Degree Backshell, 2-Ring Termination . . . . .	3D-6
B023D-★	Environmental EMI/RFI 90 Degree Backshell, 2-Ring Termination . . . . .	3D-6
B031★	Environmental Straight Backshell for Anamet Conduit . . . . .	2D-4
B033★	Environmental Straight Backshell for PG Adapter . . . . .	2D-6
B035★	Environmental Straight Backshell for Pipe Thread Adapters . . . . .	2D-8
B037★	Environmental Straight Backshell for Sealrite/Liquidrite Adapters . . . . .	2D-10
B042A-★	Non-Environmental EMI/RFI Straight Light Weight Backshell . . . . .	6D-6
B042B-★	Non-Environmental EMI/RFI Straight Light Weight Backshell . . . . .	6D-6
B042CC-★	Non-Environmental EMI/RFI 45 Degree Light Weight Backshell . . . . .	6D-6
B042D-★	Non-Environmental EMI/RFI 90 Degree Light Weight Backshell . . . . .	6D-6
B043A-★	Environmental EMI/RFI Straight Light Weight Backshell . . . . .	3D-8
B043B-★	Environmental EMI/RFI Straight Light Weight Backshell . . . . .	3D-8
B043CC-★	Environmental EMI/RFI 45 Degree Light Weight Backshell . . . . .	3D-8
B043D-★	Environmental EMI/RFI 90 Degree Light Weight Backshell . . . . .	3D-8
B049AF06-★	AS50151, MIL-DTL-26482 Series 2 MIL-DTL-83723 Series III, Environmental EMI/RFI 45 Degree Backshell with Cable Clamp . . . . .	3D-14
B049AF07-★	AS50151, MIL-DTL-26482 Series 2 MIL-DTL-83723 Series III, Environmental 45 Degree Backshell with Cable Clamp . . . . .	2D-16
B049AF08-★	AS50151, MIL-DTL-26482 Series 2 MIL-DTL-83723 Series III, Environmental EMI/RFI 90 Degree Backshell with Cable Clamp . . . . .	3D-18
B049AF09-★	AS50151, MIL-DTL-26482 Series 2 MIL-DTL-83723 Series III, Environmental 90 Degree Backshell with Cable Clamp . . . . .	2D-20
B049AF10-★	AS50151, MIL-DTL-26482 Series 2 MIL-DTL-83723 Series III, Environmental EMI/RFI Straight Backshell with Cable Clamp . . . . .	3D-22

★ Indicates additional alpha-numeric are required to complete part numbers.  
 CS Contact our Sales Department for information on this part.



B049AF11-★	AS50151, MIL-DTL-26482 Series 2 MIL-DTL-83723 Series III, Environmental Straight Backshell with Cable Clamp . . . . .	2D-24
B049AF23-★	AS50151, MIL-DTL-26482 Series 2 MIL-DTL-83723 Series III, Non-Environmental EMI/RFI 45 Degree Shield Termination Backshell with Cable Clamp . . . . .	6D-12
B049AF24-★	AS50151, MIL-DTL-26482 Series 2 MIL-DTL-83723 Series III, Non-Environmental EMI/RFI 90 Degree Shield Termination Backshell with Cable Clamp . . . . .	6D-16
B049AF25-★	AS50151, MIL-DTL-26482 Series 2 MIL-DTL-83723 Series III, Non-Environmental EMI/RFI Straight Shield Termination Backshell with Cable Clamp . . . . .	6D-20
B049AF26-1★	AS50151, MIL-DTL-26482 Series 2 MIL-DTL-83723 Series III, Straight Shield Termination . . . . .	8D-10
B049AF26-2★	AS50151, MIL-DTL-26482 Series 2 MIL-DTL-83723 Series III, Crimp Ring . . . . .	8D-12
B049AF26-3★	AS50151, MIL-DTL-26482 Series 2 MIL-DTL-83723 Series III, Straight Shield Termination Assembly . . . . .	8D-10
B049AF31-★	AS50151, MIL-DTL-26482 Series 2 MIL-DTL-83723 Series III, Grommet Nut . . . . .	4D-2
B049AF31S★	AS50151, MIL-DTL-26482 Series 2 MIL-DTL-83723 Series III, Grommet Nut, Self-Locking. . . . .	4D-3
B049AF43-★	AS50151, MIL-DTL-26482 Series 2 MIL-DTL-83723 Series III, 45 Degree Strain Relief, Non-Locking . . . . .	11D-2
B049AF51-1-★	AS50151, MIL-DTL-26482 Series 2 MIL-DTL-83723 Series III, 90 Degree Strain Relief, Non-Locking . . . . .	11D-3
B049AF51S★	AS50151, MIL-DTL-26482 Series 2 MIL-DTL-83723 Series III, 90 Degree Strain Relief, Self-Locking . . . . .	11D-4
B049AF52-1-★	AS50151, MIL-DTL-26482 Series 2 MIL-DTL-83723 Series III, Straight Strain Relief, Non-Locking . . . . .	11D-2
B049AF52S★	AS50151, MIL-DTL-26482 Series 2 MIL-DTL-83723 Series III, Straight Strain Relief, Self-Locking. . . . .	11D-3
B049AF53-★	AS50151, MIL-DTL-26482 Series 2 MIL-DTL-83723 Series III, Straight Cable Tie Strain Relief, Non-Locking. . . . .	CS
B049AF54-★	AS50151, MIL-DTL-26482 Series 2 MIL-DTL-83723 Series III, 45 Degree Cable Tie Strain Relief, Non-Locking. . . . .	CS
B049AF55-★	AS50151, MIL-DTL-26482 Series 2 MIL-DTL-83723 Series III, 90 Degree Cable Tie Strain Relief, Non-Locking. . . . .	CS
B049AF55G★	AS50151, MIL-DTL-26482 Series 2 MIL-DTL-83723 Series III, 90 Degree Cable Tie Strain Relief, Self-Locking with Ground Lug . . . . .	CS
B049AF55S★	AS50151, MIL-DTL-26482 Series 2 MIL-DTL-83723 Series III, 90 Degree Cable Tie Strain Relief, Self-Locking less Ground Lug . . . . .	11D-11
B049AF60-1★	AS50151, MIL-DTL-26482 Series 2 MIL-DTL-83723 Series III, Shrink Boot Adapter. . . . .	10D-7
B049AF60-2G★	AS50151, MIL-DTL-26482 Series 2 MIL-DTL-83723 Series III, Shrink Boot Adapter. . . . .	10D-8
B049AF82-★	AS50151, MIL-DTL-26482 Series 2 MIL-DTL-83723 Series III, Straight Shield Band Termination, Self-Locking . . . . .	8D-13
B049AF83-★	AS50151, MIL-DTL-26482 Series 2 MIL-DTL-83723 Series III, 45 Degree Shield Band Termination, Self-Locking . . . . .	8D-14
B049AF84-★	AS50151, MIL-DTL-26482 Series 2 MIL-DTL-83723 Series III, 90 Degree Shield Band Termination, Self-Locking . . . . .	8D-16
B049AF94-★	MIL-DTL-83723 Series III, Mounting Plate, Full Mount Type I . . . . .	15D-2
B049AF95-★	MIL-DTL-83723 Series III, Mounting Plate, 3/4 Mount Type II . . . . .	15D-4
B049AF96-★	MIL-DTL-83723 Series III, Mounting Plate, 1/4 Mount Type III . . . . .	15D-6
B049AK03★A1★	MIL-DTL-22992, SWLD Series Environmental Straight Adapter with Cable Clamp . . . . .	CS
B049AK03★A2★	MIL-DTL-22992, SWLD Series Environmental Straight Adapter with Cable Clamp . . . . .	CS
B049AK03★A3★	MIL-DTL-22992, SWLD Series Environmental Straight Adapter with Cable Clamp . . . . .	CS
B049AK03★B1★	MIL-DTL-22992, SWLD Series Environmental Straight Adapter with Cable Clamp . . . . .	CS
B049AK03★B2★	MIL-DTL-22992, SWLD Series Environmental Straight Adapter with Cable Clamp . . . . .	CS
B049AK03★B3★	MIL-DTL-22992, SWLD Series Environmental Straight Adapter with Cable Clamp . . . . .	CS
B049AK04★A1★	MIL-DTL-22992, SWLD Series Environmental Step-Up Adapter with Cable Clamp . . . . .	CS
B049AK04★A2★	MIL-DTL-22992, SWLD Series Environmental Step-Up Adapter with Cable Clamp . . . . .	CS
B049AK04★A3★	MIL-DTL-22992, SWLD Series Environmental Step-Up Adapter with Cable Clamp . . . . .	CS
B049AK04★B1★	MIL-DTL-22992, SWLD Series Environmental Step-Up Adapter with Cable Clamp . . . . .	CS
B049AK04★B2★	MIL-DTL-22992, SWLD Series Environmental Step-Up Adapter with Cable Clamp . . . . .	CS
B049AK04★B3★	MIL-DTL-22992, SWLD Series Environmental Step-Up Adapter with Cable Clamp . . . . .	CS
B049AK05★A1★	MIL-DTL-22992, SWLD Series Environmental Step-Down Adapter with Cable Clamp . . . . .	CS
B049AK05★A2★	MIL-DTL-22992, SWLD Series Environmental Step-Down Adapter with Cable Clamp . . . . .	CS
B049AK05★A3★	MIL-DTL-22992, SWLD Series Environmental Step-Down Adapter with Cable Clamp . . . . .	CS
B049AK05★B1★	MIL-DTL-22992, SWLD Series Environmental Step-Down Adapter with Cable Clamp . . . . .	CS
B049AK05★B2★	MIL-DTL-22992, SWLD Series Environmental Step-Down Adapter with Cable Clamp . . . . .	CS
B049AK05★B3★	MIL-DTL-22992, SWLD Series Environmental Step-Down Adapter with Cable Clamp . . . . .	CS
B049AK59★	MIL-DTL-22992, SWLD Series Shrink Boot Adapter. . . . .	10D-6
B049BA34-★	Straight Adapter . . . . .	5D-8
B049BF17-★	MIL-DTL-38999 Series I & II Environmental EMI/RFI Straight Backshell with Cable Clamp . . . . .	3D-28
B049BF27-★	MIL-DTL-38999 Series I & II Grommet Nut. . . . .	4D-4
B049BF27S-★	MIL-DTL-38999 Series I & II Self-Locking Grommet Nut. . . . .	4D-5
B049BF29-★	MIL-DTL-38999 Series I & II Non-Environmental Straight Backshell with Cable Clamp . . . . .	5D-9
B049BF30-★	MIL-DTL-38999 Series I & II Straight Shield Termination . . . . .	8D-18
B049BF32-1-★	MIL-DTL-38999 Series I & II 90 Degree Adapter. . . . .	8D-19
B049BF32-2-★	MIL-DTL-38999 Series I & II Reducing Adapter . . . . .	8D-20
B049BF33-1-★	MIL-DTL-38999 Series I & II Straight Adapter . . . . .	8D-21
B049BF33-2-★	MIL-DTL-38999 Series I & II Straight Shield Termination . . . . .	8D-22

★ Indicates additional alpha-numeric are required to complete part numbers.  
**CS** Contact our Sales Department for information on this part.

# CROSS REFERENCE/INDEX

BO49BF35-★	MIL-DTL-38999 Series I & II Straight Adapter	5D-10
BO49BF36-★	MIL-DTL-38999 Series I & II Non-Environmental EMI/RFI Straight Backshell with Cable Clamp	6D-26
BO49BF37-★	MIL-DTL-38999 Series I & II Non-Environmental EMI/RFI 90 Degree Backshell with Cable Clamp	6D-27
BO49BF45★	MIL-DTL-38999 Series I & II Straight Strain Relief, Non-Locking	11D-7
BO49BF46★	MIL-DTL-38999 Series I & II 90 Degree Strain Relief, Non-Locking	11D-8
BO49BF47★	MIL-DTL-38999 Series I & II 90 Degree Strain Relief, Non-Locking	11D-9
BO49BF47S★	MIL-DTL-38999 Series I & II 90 Degree Strain Relief, Self-Locking	11D-9
BO49BF49-1A-★	MIL-DTL-38999 Series I & II Straight Strain Relief, Non-Locking	11D-10
BO49BF49-2A-★	MIL-DTL-38999 Series I & II Straight Strain Relief, Non-Locking	11D-11
BO49BF49-2C-★	MIL-DTL-38999 Series I & II Straight Strain Relief, Non-Locking	11D-12
BO49BF49-2S-★	MIL-DTL-38999 Series I & II Straight Strain Relief, Self-Locking	11D-13
BO49BF56-★	MIL-DTL-38999 Series I & II Straight Cable Tie Strain Relief, Non-Locking	CS
BO49BF57-★	MIL-DTL-38999 Series I & II 45 Degree Cable Tie Strain Relief, Non-Locking	CS
BO49BF57G★	MIL-DTL-38999 Series I & II 45 Degree Cable Tie Strain Relief, Self-Locking with Ground Lug	CS
BO49BF57S★	MIL-DTL-38999 Series I & II 45 Degree Cable Tie Strain Relief, Self-Locking less Ground Lug	CS
BO49BF58-★	MIL-DTL-38999 Series I & II Potting Boot Ring	7D-2
BO49BF62-★	MIL-DTL-38999 Series I & II Shrink Boot Adapter	10D-9
BO49BF63-★	MIL-DTL-38999 Series I & II 90 Degree Cable Tie Strain Relief, Non-Locking	CS
BO49BF63G★	MIL-DTL-38999 Series I & II 90 Degree Cable Tie Strain Relief, Self-Locking with Ground Lug	CS
BO49BF63S★	MIL-DTL-38999 Series I & II 90 Degree Cable Tie Strain Relief, Self-Locking less Ground Lug	CS
BO49BF75-★-1	MIL-DTL-38999 Series I & II Straight Potting Boot	7D-3
BO49BF75-★-2	MIL-DTL-38999 Series I & II 90 Degree Potting Boot	7D-3
BO49BF76-★	MIL-DTL-38999 Series I & II Environmental EMI/RFI 90 Degree Backshell with Cable Clamp	3D-29
BO49BF77-★	MIL-DTL-38999 Series I & II Environmental EMI/RFI 45 Degree Backshell with Cable Clamp	3D-30
BO49BF85-★	MIL-DTL-38999 Series I & II Straight Shield Band Termination, Self-Locking	8D-23
BO49BF86-★	MIL-DTL-38999 Series I & II 45 Degree Shield Band Termination, Self-Locking	8D-24
BO49BF87-★	MIL-DTL-38999 Series I & II 90 Degree Shield Band Termination, Self-Locking	8D-25
BO49BG14S★	MIL-DTL-38999 Series III Grommet Nut	4D-6
BO49BG15G★	MIL-DTL-38999 Series III 45 Degree Cable Tie Strain Relief, Self-Locking with Ground Lug	CS
BO49BG15S★	MIL-DTL-38999 Series III 45 Degree Cable Tie Strain Relief, Self-Locking less Ground Lug	CS
BO49BG16G★	MIL-DTL-38999 Series III 90 Degree Cable Tie Strain Relief, Self-Locking with Ground Lug	CS
BO49BG16S★	MIL-DTL-38999 Series III 90 Degree Cable Tie Strain Relief, Self-Locking less Ground Lug	CS
BO49BG18-★	MIL-DTL-38999 Series III Environmental EMI/RFI Straight Backshell with Cable Clamp	3D-32
BO49BG19-★	MIL-DTL-38999 Series III Non-Environmental EMI/RFI Straight Backshell with Cable Clamp	6D-28
BO49BG20-★	MIL-DTL-38999 Series III Straight Shield Termination	8D-28
BO49BG21-★	MIL-DTL-38999 Series III Non-Environmental Straight Backshell with Cable Clamp	5D-11
BO49BG38-★	MIL-DTL-38999 Series III Straight Strain Relief, Non-Locking	11D-14
BO49BG38S★	MIL-DTL-38999 Series III Straight Strain Relief, Self-Locking	11D-15
BO49BG39-★	MIL-DTL-38999 Series III 90 Degree Strain Relief, Non-Locking	11D-16
BO49BG39S★	MIL-DTL-38999 Series III 90 Degree Strain Relief, Self-Locking	11D-17
BO49BG69-★	MIL-DTL-38999 Series III Shrink Boot Adapter	10D-10
BO49BG78-★	MIL-DTL-38999 Series III Environmental EMI/RFI 90 Degree Backshell with Cable Clamp	3D-33
BO49BG79-★	MIL-DTL-38999 Series III Environmental EMI/RFI 45 Degree Backshell with Cable Clamp	3D-34
BO49BG88-★	MIL-DTL-38999 Series III Straight Shield Band Termination, Self-Locking	8D-29
BO49BG89-★	MIL-DTL-38999 Series III 45 Degree Shield Band Termination, Self-Locking	8D-30
BO49BG90-★	MIL-DTL-38999 Series III 90 Degree Shield Band Termination, Self-Locking	8D-32
BO49BG93-★	Composite Split Support Ring	8D-33
CA3105E10SL-B	Reverse Bayonet Dummy Receptacle (SCPB05-10SL)	12D-10
CA3105E 12S-B	Reverse Bayonet Dummy Receptacle (SCPB05-12S)	12D-10
CA3105E 14S-B	Reverse Bayonet Dummy Receptacle (SCPB05-14S)	12D-10
CA3105E 16S-B	Reverse Bayonet Dummy Receptacle (SCPB05-16S)	12D-10
CA3105E 16-B	Reverse Bayonet Dummy Receptacle (SCPB05-16)	12D-10
CA3105E 18-B	Reverse Bayonet Dummy Receptacle (SCPB05-18)	12D-10
CA3105E 20-B	Reverse Bayonet Dummy Receptacle (SCPB05-20)	12D-10
CA3105E 22-B	Reverse Bayonet Dummy Receptacle (SCPB05-22)	12D-10
CA3105E 24-B	Reverse Bayonet Dummy Receptacle (SCPB05-24)	12D-10
CA3105E 28-B	Reverse Bayonet Dummy Receptacle (SCPB05-28)	12D-10
CA3105E 32-B	Reverse Bayonet Dummy Receptacle (SCPB05-32)	12D-10
CA3105E 36-B	Reverse Bayonet Dummy Receptacle (SCPB05-36)	12D-10
CA121003-1	Reverse Bayonet Dust Cap for Receptacle (SCPB10SL-TF)	12D-10
CA121003-2	Reverse Bayonet Dust Cap for Receptacle (SCPB12S-TF)	12D-10
CA121003-3	Reverse Bayonet Dust Cap for Receptacle (SCPB14S-TF)	12D-10
CA121003-4	Reverse Bayonet Dust Cap for Receptacle (SCPB16S-TF)	12D-10
CA121003-5	Reverse Bayonet Dust Cap for Receptacle (SCPB16-TF)	12D-10
CA121003-6	Reverse Bayonet Dust Cap for Receptacle (SCPB18-TF)	12D-10
CA121003-7	Reverse Bayonet Dust Cap for Receptacle (SCPB20-TF)	12D-10
CA121003-8	Reverse Bayonet Dust Cap for Receptacle (SCPB22-TF)	12D-10
CA121003-9	Reverse Bayonet Dust Cap for Receptacle (SCPB24-TF)	12D-10

★ Indicates additional alpha-numeric are required to complete part numbers.  
**CS** Contact our Sales Department for information on this part.



CA121003-10	Reverse Bayonet Dust Cap for Receptacle (SCP828-TF)	12D-10
CA121003-11	Reverse Bayonet Dust Cap for Receptacle (SCP832-TF)	12D-10
CA121003-12	Reverse Bayonet Dust Cap for Receptacle (SCP836-TF)	12D-10
CA121003-13	Reverse Bayonet Dust Cap for Receptacle (SCP840-TF)	12D-10
CA121004-1	Reverse Bayonet Dust Cap for Plug (SCP810SL-TV)	12D-10
CA121004-2	Reverse Bayonet Dust Cap for Plug (SCP812S-TV)	12D-10
CA121004-3	Reverse Bayonet Dust Cap for Plug (SCP814S-TV)	12D-10
CA121004-4	Reverse Bayonet Dust Cap for Plug (SCP816S-TV)	12D-10
CA121004-5	Reverse Bayonet Dust Cap for Plug (SCP816-TV)	12D-10
CA121004-6	Reverse Bayonet Dust Cap for Plug (SCP818-TV)	12D-10
CA121004-7	Reverse Bayonet Dust Cap for Plug (SCP820-TV)	12D-10
CA121004-8	Reverse Bayonet Dust Cap for Plug (SCP822-TV)	12D-10
CA121004-9	Reverse Bayonet Dust Cap for Plug (SCP824-TV)	12D-10
CA121004-10	Reverse Bayonet Dust Cap for Plug (SCP828-TV)	12D-10
CA121004-11	Reverse Bayonet Dust Cap for Plug (SCP832-TV)	12D-10
CA121004-12	Reverse Bayonet Dust Cap for Plug (SCP836-TV)	12D-10
CA121004-13	Reverse Bayonet Dust Cap for Plug (SCP840-TV)	12D-10
CIR★TF	Reverse Bayonet Dust Cap for Receptacle (SCP8★TF)	12D-10
CIR★TV	Reverse Bayonet Dust Cap for Plug (SCP8★TV)	12D-10
CSOX19FP★	Panel Mount Receptacle	Catalog 102
CSOX19FV★	In-Line Receptacle	Catalog 102
CSOX19MP★	Panel Mount Plug	Catalog 102
CSOX19MV★	Straight Plug	Catalog 102
D38999/20★	MIL-DTL-38999 Series III Wall Mount Receptacle (SC3920★)	Catalog 202
D38999/21★	MIL-DTL-38999 Series III Hermetic Box Receptacle (SC3921★)	Catalog 202
D38999/23★	MIL-DTL-38999 Series III Hermetic Jam Nut Receptacle (SC3923★)	Catalog 202
D38999/24★	MIL-DTL-38999 Series III Jam Nut Receptacle (SC3924★)	Catalog 202
D38999/25★	MIL-DTL-38999 Series III Hermetic Solder Mount Receptacle (SC3925★)	Catalog 202
D38999/26★	MIL-DTL-38999 Series III Straight Plug (SC3926★)	Catalog 202
D38999/27★	MIL-DTL-38999 Series III Weld Mount Receptacle (SC3927H★)	Catalog 202
D38999/28★	MIL-DTL-38999 Series III Jam Nut (SC99928★)	14D-2
D38999/32★	MIL-DTL-38999 Series III Dust Cap for Plug (SC99932★)	12D-7
D38999/33★	MIL-DTL-38999 Series III Dust Cap for Receptacle (SC99933★)	12D-7
DCP01★	Dust Cap for Plug AS50151	12D-2
DCP02★	Dust Cap for Plug MIL-DTL-22992	12D-3
DCP04★	Dust Cap for Plug MIL-DTL-26482	12D-4
DCP05★	Dust Cap for Plug MIL-DTL-83723 Bayonet	12D-8
DCP06★	Dust Cap for Plug MIL-DTL-83723 Threaded	12D-9
DCP07★	Dust Cap for Plug MIL-DTL-38999 Series I	12D-5
DCP08★	Dust Cap for Plug MIL-DTL-38999 Series II	12D-6
DCP09★	Dust Cap for Plug MIL-DTL-38999 Series III	12D-7
DCP10★	Dust Cap for Plug	CS
DCP16★	Dust Cap for Plug SWL Series	12D-11
DCP17★	Dust Cap for Plug	CS
DCP18★	Dust Cap for Plug	CS
DCP19★	Reverse Bayonet Dust Cap for Plug	12D-10
DCR01★	Dust Cap for Receptacle AS50151	12D-2
DCR02★	Dust Cap for Receptacle MIL-DTL-22992	12D-3
DCR04★	Dust Cap for Receptacle MIL-DTL-26482	12D-4
DCR05★	Dust Cap for Receptacle MIL-DTL-83723 Bayonet	12D-8
DCR06★	Dust Cap for Receptacle MIL-DTL-83723 Threaded	12D-9
DCR07★	Dust Cap for Receptacle MIL-DTL-38999 Series I	12D-5
DCR08★	Dust Cap for Receptacle MIL-DTL-38999 Series II	12D-6
DCR09★	Dust Cap for Receptacle MIL-DTL-38999 Series III	12D-7
DCR10★	Dust Cap for Receptacle	CS
DCR16★	Dust Cap for Receptacle SWL Series	12D-11
DCR17★	Dust Cap for Receptacle	CS
DCR18★	Dust Cap for Receptacle	CS
DCR19★	Reverse Bayonet Dust Cap for Receptacle	12D-10
DM9605★A	Dust Cap for Receptacle (SCPDM9605★A)	CS
DM9605★B	Dust Cap for Receptacle (SCPDM9605★B)	CS
DM9701★A	Dust Cap for Plug (SCPDM9701★A)	CS
DM9701★B	Dust Cap for Plug (SCPDM9701★B)	CS
DRP01★	AS50151 Dummy Receptacle	12D-2
DRP02★	MIL-DTL-22992 Class C, J & R Dummy Receptacle	12D-3
DRP04★	MIL-DTL-26482 Series 1 & 2, SCPT Series Dummy Receptacle	12D-4
DRP05★	MIL-DTL-83723 Series III Dust Cap for Bayonet Receptacle	12D-8
DRP06★	MIL-DTL-83723 Series III Dust Cap for Threaded Receptacle	12D-9

★ Indicates additional alpha-numeric are required to complete part numbers.

CS Contact our Sales Department for information on this part.





# CROSS REFERENCE/INDEX

DRP07★	MIL-DTL-38999 Series I Dummy Receptacle	12D-5
DRP08★	MIL-DTL-38999 Series II Dummy Receptacle	12D-6
DRP09★	MIL-DTL-38999 Series III Dummy Receptacle	12D-7
DRP13★	AS50151 Dummy Receptacle	12D-2
DRP16★	SWL Series Dummy Receptacle	12D-11
DRP17★	SAE-AS81703 Series 1 & 2 Dummy Receptacle	CS
DRP18★	MIL-DTL-26482, SCPC Series Dummy Receptacle	CS
DRP19★	AS50151 Reverse Bayonet Dummy Receptacle	CS
M24308/2-1F	MIL-DTL-24308 Receptacle, 9 size 20 Socket Crimp Contacts (SC308C109S)	Catalog 202
M24308/2-2F	MIL-DTL-24308 Receptacle, 15 Size 20 Socket Crimp Contacts (SC 308C215S)	Catalog 202
M24308/2-3F	MIL-DTL-24308 Receptacle, 25 Size 20 Socket Crimp Contacts (SC 308C325S)	Catalog 202
M24308/2-4F	MIL-DTL-24308 Receptacle, 37 Size 20 Socket Crimp Contacts (SC 308C437S)	Catalog 202
M24308/2-5F	MIL-DTL-24308 Receptacle, 50 Size 20 Socket Crimp Contacts (SC 308C550S)	Catalog 202
M24308/2-11F	MIL-DTL-24308 Receptacle, 15 Size 22 Socket Crimp Contacts (SC 308C115S)	Catalog 202
M24308/2-12F	MIL-DTL-24308 Receptacle, 26 Size 22 Socket Crimp Contacts (SC 308C226S)	Catalog 202
M24308/2-13F	MIL-DTL-24308 Receptacle, 44 Size 22 Socket Crimp Contacts (SC 308C344S)	Catalog 202
M24308/2-14F	MIL-DTL-24308 Receptacle, 62 Size 22 Socket Crimp Contacts (SC 308C462S)	Catalog 202
M24308/2-15F	MIL-DTL-24308 Receptacle, 78 Size 22 Socket Crimp Contacts (SC 308C578S)	Catalog 202
M24308/2-16F	MIL-DTL-24308 Receptacle, 104 Size 22 Socket Crimp Contacts (SC 308C6104S)	Catalog 202
M24308/2-281F	MIL-DTL-24308 Receptacle, 9 Size 20 Socket, less Contacts (SC308C109S-F0)	Catalog 202
M24308/2-282F	MIL-DTL-24308 Receptacle, 15 Size 20 Socket, less Contacts (SC308C215S-F0)	Catalog 202
M24308/2-283F	MIL-DTL-24308 Receptacle, 25 Size 20 Socket, less Contacts (SC308C325S-F0)	Catalog 202
M24308/2-284F	MIL-DTL-24308 Receptacle, 37 Size 20 Socket, less Contacts (SC308C437S-F0)	Catalog 202
M24308/2-285F	MIL-DTL-24308 Receptacle, 50 Size 20 Socket, less Contacts (SC308C550S-F0)	Catalog 202
M24308/2-286F	MIL-DTL-24308 Receptacle, 15 Size 22 Socket, less Contacts (SC308C115S-F0)	Catalog 202
M24308/2-287F	MIL-DTL-24308 Receptacle, 26 Size 22 Socket, less Contacts (SC308C226S-F0)	Catalog 202
M24308/2-288F	MIL-DTL-24308 Receptacle, 44 Size 22 Socket, less Contacts (SC308C344S-F0)	Catalog 202
M24308/2-289F	MIL-DTL-24308 Receptacle, 62 Size 22 Socket, less Contacts (SC308C462S-F0)	Catalog 202
M24308/2-290F	MIL-DTL-24308 Receptacle, 78 Size 22 Socket, less Contacts (SC308C578S-F0)	Catalog 202
M24308/2-291F	MIL-DTL-24308 Receptacle, 104 Size 22 Socket, less Contacts (SC308C6104S-F0)	Catalog 202
M24308/4-1F	MIL-DTL-24308 Plug, 9 Size 20 Pin Crimp Contacts (SC308C109P)	Catalog 202
M24308/4-2F	MIL-DTL-24308 Plug, 15 Size 20 Pin Crimp Contacts (SC308C215P)	Catalog 202
M24308/4-3F	MIL-DTL-24308 Plug, 25 Size 20 Pin Crimp Contacts (SC308C325P)	Catalog 202
M24308/4-4F	MIL-DTL-24308 Plug, 37 Size 20 Pin Crimp Contacts (SC308C437P)	Catalog 202
M24308/4-5F	MIL-DTL-24308 Plug, 50 Size 20 Pin Crimp Contacts (SC308C550P)	Catalog 202
M24308/4-11F	MIL-DTL-24308 Plug, 15 Size 22 Pin Crimp Contacts (SC308C115P)	Catalog 202
M24308/4-12F	MIL-DTL-24308 Plug, 26 Size 22 Pin Crimp Contacts (SC308C226P)	Catalog 202
M24308/4-13F	MIL-DTL-24308 Plug, 44 Size 22 Pin Crimp Contacts (SC308C344P)	Catalog 202
M24308/4-14F	MIL-DTL-24308 Plug, 62 Size 22 Pin Crimp Contacts (SC308C462P)	Catalog 202
M24308/4-15F	MIL-DTL-24308 Plug, 78 Size 22 Pin Crimp Contacts (SC308C578P)	Catalog 202
M24308/4-16F	MIL-DTL-24308 Plug, 104 Size 22 Pin Crimp Contacts (SC308C6104P)	Catalog 202
M24308/4-259F	MIL-DTL-24308 Plug, 9 Size 20 Pin less Contacts (SC308C109P-F0)	Catalog 202
M24308/4-260F	MIL-DTL-24308 Plug, 15 Size 20 Pin less Contacts (SC308C215P-F0)	Catalog 202
M24308/4-261F	MIL-DTL-24308 Plug, 25 Size 20 Pin less Contacts (SC308C325P-F0)	Catalog 202
M24308/4-262F	MIL-DTL-24308 Plug, 37 Size 20 Pin less Contacts (SC308C437P-F0)	Catalog 202
M24308/4-263F	MIL-DTL-24308 Plug, 50 Size 20 Pin less Contacts (SC308C550P-F0)	Catalog 202
M24308/4-264F	MIL-DTL-24308 Plug, 15 Size 22 Pin less Contacts (SC308C115P-F0)	Catalog 202
M24308/4-265F	MIL-DTL-24308 Plug, 26 Size 22 Pin less Contacts (SC308C226P-F0)	Catalog 202
M24308/4-266F	MIL-DTL-24308 Plug, 44 Size 22 Pin less Contacts (SC308C344P-F0)	Catalog 202
M24308/4-267F	MIL-DTL-24308 Plug, 62 Size 22 Pin less Contacts (SC308C462P-F0)	Catalog 202
M24308/4-268F	MIL-DTL-24308 Plug, 78 Size 22 Pin, less Contacts (SC308C578P-F0)	Catalog 202
M24308/4-269F	MIL-DTL-24308 Plug, 104 Size 22 Pin, less Contacts (SC308C6104P-F0)	Catalog 202
M24308/4-25-★	MIL-DTL-24308 Male Screwlock (SC30825-★)	Catalog 202
M24308/4-26-★	MIL-DTL-24308 Female Screwlock (SC30826-★)	Catalog 202
M38999/9★	MIL-DTL-38999 Series I Dummy Receptacle (SC99909-★)	12D-5
M38999/10★	MIL-DTL-38999 Series II Dummy Receptacle (SC99910-★)	12D-6
M38999/22★	MIL-DTL-38999 Series III Dummy Receptacle (SC99922-★)	12D-7
M39029/4-110	MIL-DTL-39029 Pin Contact, Size 20	Catalog 202
M39029/4-111	MIL-DTL-39029 Pin Contact, Size 16	Catalog 202
M39029/4-112	MIL-DTL-39029 Pin Contact, Size 16	Catalog 202
M39029/4-113	MIL-DTL-39029 Pin Contact, Size 12	Catalog 202
M39029/4-114	MIL-DTL-39029 Pin Contact, Size 12	Catalog 202
M39029/5-115	MIL-DTL-39029 Socket Contact, Size 20	Catalog 202
M39029/5-116	MIL-DTL-39029 Socket Contact, Size 16	Catalog 202
M39029/5-117	MIL-DTL-39029 Socket Contact, Size 16	Catalog 202
M39029/5-118	MIL-DTL-39029 Socket Contact, Size 12	Catalog 202
M39029/5-119	MIL-DTL-39029 Socket Contact, Size 12	Catalog 202
M39029/28-211	MIL-DTL-39029 Pin Contact, Size 12 Coax	Catalog 202

★ Indicates additional alpha-numeric are required to complete part numbers.

CS Contact our Sales Department for information on this part.



M39029/29-212	MIL-DTL-39029 Pin Contact, Size 16	Catalog 102
M39029/29-213	MIL-DTL-39029 Pin Contact, Size 12	Catalog 102
M39029/29-214	MIL-DTL-39029 Pin Contact, Size 8	Catalog 102
M39029/29-215	MIL-DTL-39029 Pin Contact, Size 4	Catalog 102
M39029/29-216	MIL-DTL-39029 Pin Contact, Size 1/0	Catalog 102
M39029/30-217	MIL-DTL-39029 Socket Contact, Size 16S	Catalog 102
M39029/30-218	MIL-DTL-39029 Socket Contact, Size 16	Catalog 102
M39029/30-219	MIL-DTL-39029 Socket Contact, Size 12	Catalog 102
M39029/30-220	MIL-DTL-39029 Socket Contact, Size 8	Catalog 102
M39029/30-221	MIL-DTL-39029 Socket Contact, Size 4	Catalog 102
M39029/30-222	MIL-DTL-39029 Socket Contact, Size 1/0	Catalog 102
M39029/31-228	MIL-DTL-39029 Pin Contact, Size 16	Catalog 202
M39029/31-234	MIL-DTL-39029 Pin Contact, Size 12	Catalog 202
M39029/31-240	MIL-DTL-39029 Pin Contact, Size 20	Catalog 202
M39029/32-247	MIL-DTL-39029 Socket Contact, Size 16	Catalog 202
M39029/32-253	MIL-DTL-39029 Socket Contact, Size 12	Catalog 202
M39029/32-259	MIL-DTL-39029 Socket Contact, Size 20	Catalog 202
M39029/44-287	MIL-DTL-39029 Pin Contact, Size 16	Catalog 102
M39029/44-288	MIL-DTL-39029 Pin Contact, Size 16	Catalog 102
M39029/44-289	MIL-DTL-39029 Pin Contact, Size 12	Catalog 102
M39029/44-290	MIL-DTL-39029 Pin Contact, Size 12	Catalog 102
M39029/44-291	MIL-DTL-39029 Pin Contact, Size 8	Catalog 102
M39029/44-292	MIL-DTL-39029 Pin Contact, Size 4	Catalog 102
M39029/44-293	MIL-DTL-39029 Pin Contact, Size 1/0	Catalog 102
M39029/45-294	MIL-DTL-39029 Socket Contact, Size 16	Catalog 102
M39029/45-295	MIL-DTL-39029 Socket Contact, Size 16	Catalog 102
M39029/45-296	MIL-DTL-39029 Socket Contact, Size 12	Catalog 102
M39029/45-297	MIL-DTL-39029 Socket Contact, Size 12	Catalog 102
M39029/45-298	MIL-DTL-39029 Socket Contact, Size 8	Catalog 102
M39029/45-299	MIL-DTL-39029 Socket Contact, Size 4	Catalog 102
M39029/45-300	MIL-DTL-39029 Socket Contact, Size 1/0	Catalog 102
M39029/56-348	MIL-DTL-39029 Socket Contact, Size 22D	Catalog 202
M39029/56-349	MIL-DTL-39029 Socket Contact, Size 22M	Catalog 202
M39029/56-350	MIL-DTL-39029 Socket Contact, Size 22	Catalog 202
M39029/56-351	MIL-DTL-39029 Socket Contact, Size 20	Catalog 202
M39029/56-352	MIL-DTL-39029 Socket Contact, Size 16	Catalog 202
M39029/56-353	MIL-DTL-39029 Socket Contact, Size 12	Catalog 202
M39029/56-527	MIL-DTL-39029 Socket Contact, Size 10	Catalog 202
M39029/57-354	MIL-DTL-39029 Socket Contact, Size 22D	Catalog 202
M39029/57-355	MIL-DTL-39029 Socket Contact, Size 22M	Catalog 202
M39029/57-356	MIL-DTL-39029 Socket Contact, Size 22	Catalog 202
M39029/57-357	MIL-DTL-39029 Socket Contact, Size 20	Catalog 202
M39029/57-358	MIL-DTL-39029 Socket Contact, Size 16	Catalog 202
M39029/57-359	MIL-DTL-39029 Socket Contact, Size 12	Catalog 202
M39029/58-360	MIL-DTL-39029 Pin Contact, Size 22D	Catalog 202
M39029/58-361	MIL-DTL-39029 Pin Contact, Size 22M	Catalog 202
M39029/58-362	MIL-DTL-39029 Pin Contact, Size 22	Catalog 202
M39029/58-363	MIL-DTL-39029 Pin Contact, Size 20	Catalog 202
M39029/58-364	MIL-DTL-39029 Pin Contact, Size 16	Catalog 202
M39029/58-365	MIL-DTL-39029 Pin Contact, Size 12	Catalog 202
M39029/58-528	MIL-DTL-39029 Pin Contact, Size 10	Catalog 202
M39029/63-368	MIL-DTL-39029 Pin Contact, Size 20	Catalog 202
M39029/64-369	MIL-DTL-39029 Socket Contact, Size 20	Catalog 202
M39029/75-416	MIL-DTL-39029 Socket Contact, Size 12 Coax	Catalog 202
M39029/90-529	MIL-DTL-39029 Pin Contact, Size 8 Twinax	Catalog 202
M39029/91-530	MIL-DTL-39029 Socket Contact, Size 8 Twinax	Catalog 202
M39029/102-558	MIL-DTL-39029 Pin Contact, Size 12 Coax	Catalog 202
M39029/103-559	MIL-DTL-39029 Socket Contact, Size 12 Coax	Catalog 202
M39029/106-614	MIL-DTL-39029 Socket Contact, Size 22D	Catalog 202
M39029/106-615	MIL-DTL-39029 Socket Contact, Size 20	Catalog 202
M39029/106-616	MIL-DTL-39029 Socket Contact, Size 16	Catalog 202
M39029/106-617	MIL-DTL-39029 Socket Contact, Size 12	Catalog 202
M39029/106-618	MIL-DTL-39029 Socket Contact, Size 10	Catalog 202
M39029/107-620	MIL-DTL-39029 Pin Contact, Size 22D	Catalog 202
M39029/107-621	MIL-DTL-39029 Pin Contact, Size 20	Catalog 202
M39029/107-622	MIL-DTL-39029 Pin Contact, Size 16	Catalog 202
M39029/107-623	MIL-DTL-39029 Pin Contact, Size 12	Catalog 202
M39029/107-624	MIL-DTL-39029 Pin Contact, Size 10	Catalog 202

★ Indicates additional alpha-numeric are required to complete part numbers.  
**CS** Contact our Sales Department for information on this part.



# CROSS REFERENCE/INDEX

M83723/59★	Dust Cap for Plug MIL-DTL-83723 Threaded . . . . .	12D-9
M83723/60★	Dust Cap for Receptacle MIL-DTL-83723 Threaded . . . . .	12D-9
M83723/61★	Dummy Receptacle for MIL-DTL-83723 Threaded . . . . .	12D-9
M85049/1★	AS50151 Cable Clamp (MS3057-★B) . . . . .	11D-19
M85049/2★	AS50151 Cable Clamp (MS3057-★C) . . . . .	11D-20
M85049/3★A1	MIL-DTL-22992 Class C & R Environmental Straight Adapter with Cable Clamp (B049AK03★A1) . . . . .	CS
M85049/3★A2	MIL-DTL-22992 Class C, J & R Environmental Straight Adapter with Cable Clamp (B049AK03★A2) . . . . .	CS
M85049/3★A3	MIL-DTL-22992 Class C & R Environmental Straight Adapter with Cable Clamp (B049AK03★A3) . . . . .	CS
M85049/3★B1	MIL-DTL-22992 Class C & R Environmental Straight Adapter with Cable Clamp (B049AK03★B1) . . . . .	CS
M85049/3★B2	MIL-DTL-22992 Class C, J & R Environmental Straight Adapter with Cable Clamp (B049AK03★B2) . . . . .	CS
M85049/3★B3	MIL-DTL-22992 Class C & R Environmental Straight Adapter with Cable Clamp (B049AK03★B3) . . . . .	CS
M85049/4★A1	MIL-DTL-22992 Class C & R Environmental Step-Up Adapter with Cable Clamp (B049AK04★A1) . . . . .	CS
M85049/4★A2	MIL-DTL-22992 Class C, J & R Environmental Step-Up Adapter with Cable Clamp (B049AK04★A2) . . . . .	CS
M85049/4★A3	MIL-DTL-22992 Class C & R Environmental Step-Up Adapter with Cable Clamp (B049AK04★A3) . . . . .	CS
M85049/4★B1	MIL-DTL-22992 Class C & R Environmental Step-Up Adapter with Cable Clamp (B049AK04★B1) . . . . .	CS
M85049/4★B2	MIL-DTL-22992 Class C, J & R Environmental Step-Up Adapter with Cable Clamp (B049AK04★B2) . . . . .	CS
M85049/4★B3	MIL-DTL-22992 Class C & R Environmental Step-Up Adapter with Cable Clamp (B049AK04★B3) . . . . .	CS
M85049/5★A1	MIL-DTL-22992 Class C & R Environmental Step-Down Adapter with Cable Clamp (B049AK05★A1) . . . . .	CS
M85049/5★A2	MIL-DTL-22992 Class C, J & R Environmental Step-Down Adapter with Cable Clamp (B049AK05★A2) . . . . .	CS
M85049/5★A3	MIL-DTL-22992 Class C & R Environmental Step-Down Adapter with Cable Clamp (B049AK05★A3) . . . . .	CS
M85049/5★B1	MIL-DTL-22992 Class C & R Environmental Step-Down Adapter with Cable Clamp (B049AK05★B1) . . . . .	CS
M85049/5★B2	MIL-DTL-22992 Class C, J & R Environmental Step-Down Adapter with Cable Clamp (B049AK05★B2) . . . . .	CS
M85049/5★B3	MIL-DTL-22992 Class C & R Environmental Step-Down Adapter with Cable Clamp (B049AK05★B3) . . . . .	CS
M85049/6★	AS50151 Crimp, MIL-DTL-26482 Series 2 MIL-DTL-83723 Series III, Environmental EMI/RFI 45 Degree Backshell with Cable Clamp (B049AF06-★) . . . . .	3D-14
M85049/7★	AS50151 Crimp, MIL-DTL-26482 Series 2 MIL-DTL-83723 Series III, Environmental 45 Degree Backshell with Cable Clamp (B049AF07★) . . . . .	2D-16
M85049/8★	AS50151 Crimp, MIL-DTL-26482 Series 2 MIL-DTL-83723 Series III, Environmental EMI/RFI 90 Degree Backshell with Cable Clamp (B049AF08-★) . . . . .	3D-18
M85049/9★	AS50151 Crimp, MIL-DTL-26482 Series 2 MIL-DTL-83723 Series III, 90 Degree Backshell with Cable Clamp (B049AF09★) . . . . .	2D-20
M85049/10★	AS50151 Crimp, MIL-DTL-26482 Series 2 MIL-DTL-83723 Series III, EMI/RFI Environmental Straight Backshell with Cable Clamp (B049AF10★) . . . . .	3D-22
M85049/11★	AS50151 Crimp, MIL-DTL-26482 Series 2 MIL-DTL-83723 Series III, Environmental Straight Backshell with Cable Clamp (B049AF11★) . . . . .	2D-24
M85049/14S★	MIL-DTL-38999 Series III Self-Locking Grommet Nut (B049BG14S★) . . . . .	4D-6
M85049/15G★	MIL-DTL-38999 Series III 45 Degree Cable Tie Strain Relief with Ground Lug (B049BG15G★) . . . . .	CS
M85049/15S★	MIL-DTL-38999 Series III 45 Degree Cable Tie Strain Relief less Ground Lug (B049BG15S★) . . . . .	CS
M85049/16G★	MIL-DTL-38999 Series III 90 Degree Cable Tie Strain Relief with Ground Lug (B049BG16G★) . . . . .	CS
M85049/16S★	MIL-DTL-38999 Series III 90 Degree Cable Tie Strain Relief less Ground Lug (B049BG16S★) . . . . .	CS
M85049/17★	MIL-DTL-38999 Series I & II Environmental EMI/RFI Straight Backshell with Cable Clamp (B049BF17★) . . . . .	3D-28
M85049/18★	MIL-DTL-38999 Series III Environmental EMI/RFI Straight Backshell with Cable Clamp (B049BG18★) . . . . .	3D-32
M85049/19★	MIL-DTL-38999 Series III Non-Environmental EMI/RFI Straight Backshell with Cable Clamp (B049BG19★) . . . . .	6D-28
M85049/20★	MIL-DTL-38999 Series III Non-Environmental EMI/RFI Straight Shield Termination (B049BG20★) . . . . .	8D-28
M85049/21★	MIL-DTL-38999 Series III Non-Environmental Straight Backshell with Cable Clamp (B049BG21★) . . . . .	5D-11
M85049/23★	AS50151 Crimp, MIL-DTL-26482 Series 2 MIL-DTL-83723 Series III, Non-Environmental EMI/RFI 45 Degree Backshell with Cable Clamp (B049AF23★) . . . . .	6D-12
M85049/24★	AS50151 Crimp, MIL-DTL-26482 Series 2 MIL-DTL-83723 Series III, Non-Environmental EMI/RFI 90 Degree Backshell with Cable Clamp (B049AF24★) . . . . .	6D-16
M85049/25★	AS50151 Crimp, MIL-DTL-26482 Series 2 MIL-DTL-83723 Series III, Non-Environmental EMI/RFI Straight Backshell with Cable Clamp (B049AF25★) . . . . .	6D-20
M85049/26-1★	AS50151 Crimp, MIL-DTL-26482 Series 2 MIL-DTL-83723 Series III, Non-Environmental EMI/RFI Straight Shield Termination (B049AF26-1★) . . . . .	8D-10
M85049/26-2★	AS50151 Crimp, MIL-DTL-26482 Series 2 MIL-DTL-83723 Series III, Non-Environmental EMI/RFI Shielding Ring (B049AF26-2★) . . . . .	8D-12
M85049/26-3★	AS50151 Crimp, MIL-DTL-26482 Series 2 MIL-DTL-83723 Series III, Non-Environmental EMI/RFI Straight Shield Termination Assembly (B049AF26-3★) . . . . .	8D-10
M85049/27★	MIL-DTL-38999 Series I & II Grommet Nut (B049BF27★) . . . . .	4D-4
M85049/27S★	MIL-DTL-38999 Series I & II Self-Locking Grommet Nut (B049BF27S★) . . . . .	4D-5
M85049/29★	MIL-DTL-38999 Series I & II Non-Environmental Straight Backshell with Cable Clamp (B049BF29★) . . . . .	5D-9
M85049/30★	MIL-DTL-38999 Series I & II EMI/RFI Shield Termination (B049BF30★) . . . . .	8D-18
M85049/31★	AS50151 Crimp, MIL-DTL-26482 Series 2 MIL-DTL-83723 Series III, Grommet Nut (B049AF31★) . . . . .	4D-2
M85049/31S★	AS50151 Crimp, MIL-DTL-26482 Series 2 MIL-DTL-83723 Series III, Self-Locking Grommet Nut (B049AF31S★) . . . . .	4D-3
M85049/32-1★	MIL-DTL-38999 Series I & II Non-Environmental EMI/RFI 90 Degree Adapter (B049BF32-1★) . . . . .	8D-19
M85049/32-2★	MIL-DTL-38999 Series I & II Non-Environmental EMI/RFI Reducing Adapter (B049BF32-2★) . . . . .	8D-20
M85049/33-1★	MIL-DTL-38999 Series I & II Non-Environmental EMI/RFI Straight Adapter (B049BF33-1★) . . . . .	8D-21
M85049/33-2★	MIL-DTL-38999 Series I & II Non-Environmental EMI/RFI Straight Shield Termination (B049BF33-2★) . . . . .	8D-22

★ Indicates additional alpha-numeric are required to complete part numbers.  
 CS Contact our Sales Department for information on this part.





M85049/34★	MIL-DTL-26482 Series 1 Non-Environmental Straight Adapter (B049BA34★) . . . . .	5D-8
M85049/35★	MIL-DTL-38999 Series I & II Non-Environmental Straight Adapter (B049BF35★) . . . . .	5D-10
M85049/36★	MIL-DTL-38999 Series I & II Non-Environmental EMI/RFI Straight Backshell (B049BF36★) . . . . .	6D-26
M85049/37★	MIL-DTL-38999 Series I & II Non-Environmental EMI/RFI Straight Backshell (B049BF37★) . . . . .	6D-27
M85049/38★	MIL-DTL-38999 Series III Straight Strain Relief (B049BG38★) . . . . .	11D-10
M85049/38S★	MIL-DTL-38999 Series III Straight Self-Locking Strain Relief (B049BG38S★) . . . . .	11D-10
M85049/39★	MIL-DTL-38999 Series III 90 Degree Strain Relief (B049BG39★) . . . . .	11D-11
M85049/39S★	MIL-DTL-38999 Series III 90 Degree Self-Locking Strain Relief (B049BG39S★) . . . . .	11D-11
M85049/43★	AS50151 Crimp, MIL-DTL-26482 Series 2 45 Degree Strain Relief (B049AF43★) . . . . .	11D-2
M85049/45★	MIL-DTL-38999 Series I & II Straight Non-Metallic Strain Relief (B049BF45★) . . . . .	11D-12
M85049/46★	MIL-DTL-38999 Series I & II 90 Degree Non-Metallic Strain Relief (B049BF46★) . . . . .	11D-13
M85049/47★	MIL-DTL-38999 Series I & II 90 Degree Strain Relief (B049BF47★) . . . . .	11D-4
M85049/47S★	MIL-DTL-38999 Series I & II 90 Degree Self-Locking Strain Relief (B049BF47S★) . . . . .	11D-4
M85049/48-1★	MIL-DTL-24308 Straight Strain Relief (B049DS48-1★) . . . . .	11D-13
M85049/48-2★	MIL-DTL-24308 Straight Strain Relief (B049DS48-2★) . . . . .	11D-15
M85049/48-3★	MIL-DTL-24308 Straight Strain Relief (B049DS48-3★) . . . . .	11D-16
M85049/49-1★	MIL-DTL-38999 Series I & II Straight Strain Relief (B049BF49-1★) . . . . .	11D-5
M85049/49-2★	MIL-DTL-38999 Series I & II Straight Non-Locking Strain Relief (B049BF49-2★) . . . . .	11D-6
M85049/49-2S★	MIL-DTL-38999 Series I & II Straight Self-Locking Strain Relief (B049BF49-2S★) . . . . .	11D-8
M85049/50★	MIL-DTL-24308 90 Degree Strain Relief (B049DS50★) . . . . .	11D-17
M85049/51★	AS50151 Crimp, MIL-DTL-26482 Series 2 MIL-DTL-83723 Series III, 90 Degree Strain Relief (B049AF51-1★) . . . . .	11D-3
M85049/51S★	AS50151 Crimp, MIL-DTL-26482 Series 2 MIL-DTL-83723 Series III, 90 Degree Self-Locking Strain Relief (B049AF51S★) . . . . .	11D-4
M85049/52-1★	AS50151 Crimp, MIL-DTL-26482 Series 2 MIL-DTL-83723 Series III, Straight Strain Relief (B049AF52-1★) . . . . .	11D-2
M85049/52S★	AS50151 Crimp, MIL-DTL-26482 Series 2 MIL-DTL-83723 Series III, Straight Self-Locking Strain Relief (B049AF52S★) . . . . .	11D-3
M85049/53★	AS50151 Crimp, MIL-DTL-26482 Series 2 MIL-DTL-83723 Series III, Straight Cable Tie Strain Relief (B049AF53★) . . . . .	CS
M85049/54★	AS50151 Crimp, MIL-DTL-26482 Series 2 MIL-DTL-83723 Series III, 45 Degree Cable Tie Strain Relief (B049AF54★) . . . . .	CS
M85049/55★	AS50151 Crimp, MIL-DTL-26482 Series 2 MIL-DTL-83723 Series III, 90 Degree Cable Tie Strain Relief (B049AF55★) . . . . .	CS
M85049/55G★	AS50151 Crimp, MIL-DTL-26482 Series 2 MIL-DTL-83723 Series III, & SAE-AS81703 90 Degree Self-Locking Cable Tie Strain Relief with Ground Lug (B049AF55G★) . . . . .	CS
M85049/55S★	AS50151, MIL-DTL-26482 Series 2 90 Degree Self-Locking Cable Tie Strain Relief less Ground Lug (B049AF55S★) . . . . .	CS
M85049/56★	MIL-DTL-38999 Series I & II Straight Cable Tie Strain Relief (B049BF56★) . . . . .	CS
M85049/57★	MIL-DTL-38999 Series I & II 45 Degree Cable Tie Strain Relief (B049BF57★) . . . . .	CS
M85049/57G★	MIL-DTL-38999 Series I & II 45 Degree Self-Locking Cable Tie Strain Relief with Ground Lug (B049BF57G★) . . . . .	CS
M85049/57S★	MIL-DTL-38999 Series I & II 45 Degree Self-Locking Cable Tie Strain Relief less Ground Lug (B049BF57S★) . . . . .	CS
M85049/58★	MIL-DTL-38999 Series I & II Potting Boot Ring (B049BF58★) . . . . .	7D-2
M85049/59★	MIL-DTL-22992 Class C, J & R Shrink Boot Adapter (B049AK59★) . . . . .	10D-6
M85049/60-1★	AS50151 Crimp, MIL-DTL-26482 Series 2 Shrink Boot Adapter (B049AF60-1★) . . . . .	10D-7
M85049/60-2G★	AS50151 Crimp, MIL-DTL-26482 Series 2 Shrink Boot Adapter (B049AF60-2G★) . . . . .	10D-8
M85049/62★	MIL-DTL-38999 Series I & II Shrink Boot Adapter (B049BF62★) . . . . .	10D-9
M85049/63★	MIL-DTL-38999 Series I & II 90 Degree Cable Tie Strain Relief (B049BF63★) . . . . .	CS
M85049/63G★	MIL-DTL-38999 Series I & II 90 Degree Self-Locking Cable Tie Strain Relief with Ground Lug (B049BF63G★) . . . . .	CS
M85049/63S★	MIL-DTL-38999 Series I & II 90 Degree Self-Locking Cable Tie Strain Relief less Ground Lug (B049BF63S★) . . . . .	CS
M85049/69★	MIL-DTL-38999 Series III Shrink Boot Adapter (B049BG69★) . . . . .	10D-10
M85049/75-★-1	MIL-DTL-38999 Series I & II Straight Potting Boot (B049BF75-★-1) . . . . .	7D-3
M85049/75-★-2	MIL-DTL-38999 Series I & II 90 Degree Potting Boot (B049BF75-★-2) . . . . .	7D-3
M85049/76★	MIL-DTL-38999 Series I & II Environmental EMI/RFI 90 Degree Backshell with Cable Clamp (B049BF76★) . . . . .	3D-29
M85049/77★	MIL-DTL-38999 Series I & II Environmental EMI/RFI 45 Degree Backshell with Cable Clamp (B049BF77★) . . . . .	3D-30
M85049/78★	MIL-DTL-38999 Series III Environmental EMI/RFI 45 Degree Backshell with Cable Clamp (B049BG78★) . . . . .	3D-33
M85049/79★	MIL-DTL-38999 Series III Environmental EMI/RFI 90 Degree Backshell with Cable Clamp (B049BG79★) . . . . .	3D-34
M85049/80★	Sealing Plug . . . . .	17D-2
M85049/81★	Sealing Plug . . . . .	17D-3
M85049/82★	AS50151 Crimp, MIL-DTL-26482 Series 2 MIL-DTL-83723 Series III, Non-Environmental EMI/RFI Straight Shield Band Termination, Self-Locking (B049AF82★) . . . . .	8D-13
M85049/83★	AS50151 Crimp, MIL-DTL-26482 Series 2 MIL-DTL-83723 Series III, Non-Environmental EMI/RFI 45 Degree Shield Band Termination, Self-Locking (B049AF83★) . . . . .	8D-14
M85049/84★	AS50151 Crimp, MIL-DTL-26482 Series 2 MIL-DTL-83723 Series III, Non-Environmental EMI/RFI 90 Degree Shield Band Termination, Self-Locking (B049AF84★) . . . . .	8D-16

★ Indicates additional alpha-numeric are required to complete part numbers.

CS Contact our Sales Department for information on this part.

# CROSS REFERENCE/INDEX

M85049/85★	MIL-DTL-38999 Series I & II Non-Environmental EMI/RFI Straight Shield Band Termination, Self-Locking (B049BF85★) . . . . .	8D-23
M85049/86★	MIL-DTL-38999 Series I & II Non-Environmental EMI/RFI 45 Degree Shield Band Termination, Self-Locking (B049BF86★) . . . . .	8D-24
M85049/87★	MIL-DTL-38999 Series I & II Non-Environmental EMI/RFI 90 Degree Shield Band Termination, Self-Locking (B049BF87★) . . . . .	8D-25
M85049/88★	MIL-DTL-38999 Series III Non-Environmental EMI/RFI Straight Shield Band Termination, Self-Locking (B049BG88★) . . . . .	8D-29
M85049/89★	MIL-DTL-38999 Series III IV Non-Environmental EMI/RFI 45 Degree Shield Band, Self-Locking (B049BG89★) . . . . .	8D-30
M85049/90★	MIL-DTL-38999 Series III IV Non-Environmental EMI/RFI 90 Degree Shield Band, Self-Locking (B049BG90★) . . . . .	8D-32
M85049/93★	Composite Split Support Ring (B049BG93★) . . . . .	8D-33
M85049/94-★	Full Mounting Plate for Box or Wall Mounting Receptacle (B049AF94★) . . . . .	15D-2
M85049/95-★	3/4 Mounting Plate for Box or Wall Mounting Receptacle (B049AF95★) . . . . .	15D-4
M85049/96-★	1/2 Mounting Plate for Box or Wall Mounting Receptacle (B049AF96★) . . . . .	15D-6
M85049/103-★ thru		
M85049/105-★	MIL-DTL 38999 Series III & IV Non-Environmental EMI/RFI Strain Relief . . . . .	CS
M85049/109★ thru		
M85049/117★	Shield Band Termination . . . . .	CS
M85049/118★ thru		
M85049/126★	Strain Relief . . . . .	CS
M85049/127-★	Bushing Strip . . . . .	CS
M85049/128	Shield Termination Band, Used With M85049/82 - /90, /109 - /117 Backshells. . . . .	8D-34
M85049/130	Flange Mount Gasket, Conductive, Non Conductive, . . . . .	CS
M85049/131	MIL-DTL-38999 Series III & AS5590/1, Fiber Optic Backshell, Straight, Self-Locking . . . . .	CS
M85049/132	MIL-DTL-38999 Series III & AS5590/1, Fiber Optic Backshell, 45°, Self-Locking (Not Issued) . . . . .	CS
M85049/133	MIL-DTL-38999 Series III & AS5590/1, Fiber Optic Backshell, 90°, Self-Locking . . . . .	CS
M85049/134	Fiber Optic Backshell, Filler Plug. . . . .	CS
M85049/135	MIL-DTL-38999 Series III & AS5590/1, Fiber Optic Backshell, Split, Straight, Self-Locking. . . . .	CS
M85049/136	MIL-DTL-38999 Series III & AS5590/1, Fiber Optic Backshell, Split, 45°, Self-Locking. . . . .	CS
M85049/137	MIL-DTL-38999 Series III & AS5590/1, Fiber Optic Backshell, Split, 90°, Self-Locking. . . . .	CS
M85049/138	Dust Cap, Plastic, . . . . .	CS
M85049/139	Telescoping Bushing, Cable Clamp to Cable, For M85049 Cable Clamps . . . . .	CS
M85049/140	Boots, Heat-Shrinkable, Straight . . . . .	CS
M85049/141	Boots, Heat-Shrinkable, 90°. . . . .	CS
M85049/142	Boots & Sleeves, Transitions, Heat-Shrinkable . . . . .	CS
M85049/143	AS81714, Size 22, 20 & 16 Terminal Junction Blocks, Backshell, Strain Relief . . . . .	CS
M85049/147	MIL-DTL-38999 Series III & IV Straight Strain Relief for Coaxial Type Contacts . . . . .	CS
MQ36★P	Straight Plug, Pin Contacts (SC723/66) . . . . .	Catalog 202
MQ36★S	Straight Plug, Socket Contacts (SC723/67) . . . . .	Catalog 202
MQ35★P	Straight Plug, Pin Contacts (SC723/68) . . . . .	Catalog 202
MQ35★S	Straight Plug, Socket Contacts (SC723/69) . . . . .	Catalog 202
MS3057-★A	Cable Clamp . . . . .	11D-18
MS3057-★B	Cable Clamp . . . . .	11D-19
MS3057-★C	Cable Clamp . . . . .	11D-20
MS3057-★D	Cable Clamp . . . . .	11D-21
MS3100★	AS50151 Wall Mount Receptacle (SCP00★) . . . . .	Catalog 102
MS3101★	AS50151 In-Line Receptacle (SCP01★) . . . . .	Catalog 102
MS3102★	AS50151 Box Mount Receptacle (SCP02★) . . . . .	Catalog 102
MS3103-★	AS50151 Wall Mount Receptacle (SCP00SJ★) . . . . .	Catalog 102
MS3105-★	AS50151 Dummy Receptacle (SCP3105★) . . . . .	12D-2
MS3106★	AS50151 Straight Plug (SCP06★) . . . . .	Catalog 102
MS3107A★	AS50151 Quick Disconnect Plug (SCP07AJ★) . . . . .	Catalog 102
MS3108★	MIL-DTL-90 Degree Plug (SCP08★) . . . . .	Catalog 102
MS3110★	MIL-DTL-26482 Series 1 Solder Wall Mount Receptacle (SCPT00★) . . . . .	Catalog 202
MS3111★	MIL-DTL-26482 Series 1 Solder In Line Receptacle (SCPT01★) . . . . .	Catalog 202
MS3112★	MIL-DTL-26482 Series 1 Solder Box Mount Receptacle (SCPT02★) . . . . .	Catalog 202
MS3114★	MIL-DTL-26482 Series 1 Solder Jam Nut Receptacle (SCPT07★) . . . . .	Catalog 202
MS3115★	MIL-DTL-26482 Dummy Receptacle (SCP3115★) . . . . .	12D-4
MS3116★	MIL-DTL-26482 Series 1 Solder Straight Plug (SCPT06★) . . . . .	Catalog 202
MS3120★	MIL-DTL-26482 Series 1 Crimp Wall Mount (SCP000S★) . . . . .	Catalog 202
MS3121★	MIL-DTL-26482 Series 1 Crimp In-Line Receptacle (SCP01S★) . . . . .	Catalog 202
MS3122★	MIL-DTL-26482 Series 1 Crimp Box Mount Receptacle (SCP02S★) . . . . .	Catalog 202
MS3124★	MIL-DTL-26482 Series 1 Crimp Jam Nut Receptacle (SCP07S★) . . . . .	Catalog 202
MS3126★	MIL-DTL-26482 Series 1 Crimp Straight Plug (SCP06S★) . . . . .	Catalog 202
MS3130★	AS81703 Wall Mount Receptacle (SCPDM9606★) . . . . .	Catalog 202
MS3132★	AS81703 Box Mount (SCPDM9616★) . . . . .	Catalog 202
MS3134★	AS81703 Jam Nut Receptacle (SCPDM9601★) . . . . .	Catalog 202
MS3135★	SAE-AS81703 Series 1 & 2 Dummy Receptacle (SC3135★) . . . . .	CS

★ Indicates additional alpha-numeric are required to complete part numbers.  
**CS** Contact our Sales Department for information on this part.



MS3137★	AS81703 Straight Plug (SCPDM9700★) . . . . .	Catalog 202
MS3138★	AS81703 Lanyard Release Plug (SCPDM14946★) . . . . .	Catalog 202
MS3180★	MIL-DTL-26482 Dust Cap for Plug (SCP3180★) . . . . .	12D-4
MS3181★	MIL-DTL-26482 Dust Cap for Receptacle (SCP3181★) . . . . .	12D-4
MS3182★	SAE-AS81703 Series 1 & 2 Dust Cap for Plug (SCP3182★) . . . . .	CS
MS3183★	SAE-AS81703 Series 1 & 2 Dust Cap for Receptacle (SCP3183★) . . . . .	CS
MS3185-★-1	Potting Boot, Straight (SC3185-★-1) . . . . .	7D-4
MS3185-★-2	Potting Boot, 90 Degree (SC3185-★-2) . . . . .	7D-4
MS3186-★	AS50151, MIL-DTL-26482 & MIL-DTL-38999 Series I & II Jam Nut (SCP3186-★) . . . . .	14D-3
MS3187-★	Sealing Plug . . . . .	17D-4
MS3400★	AS50151 Wall Mount Receptacle, Crimp Front Release (SC30★) . . . . .	Catalog 102
MS3401★	AS50151 In-Line Receptacle, Crimp Front Release (SC31★) . . . . .	Catalog 102
MS3402★	AS50151 Box Mount Receptacle, Crimp Front Release (SC32★) . . . . .	Catalog 102
MS3404★	AS50151 Jam Nut Receptacle, Crimp Front Release (SC34★) . . . . .	Catalog 102
MS3406★	AS50151 Straight Plug, Crimp Front Release (SC36★) . . . . .	Catalog 102
MS3408★	AS50151 90 Degree Plug, Crimp Front Release (SC38★) . . . . .	Catalog 102
MS3409★	AS50151 45 Degree Plug, Crimp Front Release (SC39★) . . . . .	Catalog 102
MS3412★	AS50151 Box Mount Receptacle, Crimp Front Release (SC32★) . . . . .	Catalog 102
MS3450★	AS50151 Wall Mount Receptacle, (SC50★) . . . . .	Catalog 102
MS3451★	AS50151 In Line Receptacle (SC51★) . . . . .	Catalog 102
MS3452★	AS50151 Box Mount Receptacle (SC52★) . . . . .	Catalog 102
MS3454★	AS50151 Jam Nut Receptacle (SC54★) . . . . .	Catalog 102
MS3456★	AS50151 Straight Plug (SC56★) . . . . .	Catalog 102
MS3459★	AS50151 Self-Locking Straight Plug (SC59★) . . . . .	Catalog 102
MS3470★	MIL-DTL-26482 Series 2 Wall Mount Receptacle (SC70★) . . . . .	Catalog 202
MS3471★	MIL-DTL-26482 Series 2 In-Line Receptacle (SC71★) . . . . .	Catalog 202
MS3472★	MIL-DTL-26482 Series 2 Box Mount Receptacle (SC72★) . . . . .	Catalog 202
MS3474★	MIL-DTL-26482 Series 2 Jam Nut Receptacle (SC74★) . . . . .	Catalog 202
MS3475★	MIL-DTL-26482 Series 2 EMI Straight Plug (SC75★) . . . . .	Catalog 202
MS3476★	MIL-DTL-26482 Series 2 Straight Plug (SC76★) . . . . .	Catalog 202
MS17343★	MIL-DTL-22992 Wall Mount Receptacle (SCP17343★) . . . . .	Catalog 102
MS17344★	MIL-DTL-22992 Straight Plug (SCP17344★) . . . . .	Catalog 102
MS17345★	MIL-DTL-22992 In-Line Receptacle (SCP17345★) . . . . .	Catalog 102
MS17346★	MIL-DTL-22992 Box Mount Receptacle (SCP17346★) . . . . .	Catalog 102
MS17347★	MIL-DTL-22992 Jam Nut Receptacle (SCP17347★) . . . . .	Catalog 102
MS17348★	MIL-DTL-22992 Jam Nut Receptacle (SCP17348★) . . . . .	Catalog 102
MS17349★	MIL-DTL-22992 Dust Cap for Receptacle (SCP17349★) . . . . .	12D-3
MS17350★	MIL-DTL-22992 Dust Cap for Plug (SCP17350★) . . . . .	12D-3
MS18062-★	MIL-DTL-22992 Dummy Receptacle (SCP18062-★) . . . . .	12D-3
MS23747-★	Rubber Bushing . . . . .	16D-3
MS25042-★	AS50151 Dust Cap for Plug (SCP25042-★) . . . . .	12D-2
MS25043-★	AS50151 Dust Cap for Receptacle (SCP25043-★) . . . . .	12D-2
MS25183-★	AS50151 Straight Plug (SCP06SJ★) . . . . .	Catalog 102
MS25183A★	AS50151 Straight Plug (SCP06TJ★) . . . . .	Catalog 102
MS25251-★	Sealing Plug . . . . .	17D-5
MS27186-★	Sealing Plug . . . . .	17D-5
MS27187-★	Sealing Plug . . . . .	17D-6
MS27466★	MIL-DTL-38999 Series I Wall Mount Receptacle (SC1466★) . . . . .	Catalog 202
MS27467★	MIL-DTL-38999 Series I Straight Plug (SC1467★) . . . . .	Catalog 202
MS27468★	MIL-DTL-38999 Series I Jam Nut Receptacle (SC1468★) . . . . .	Catalog 202
MS27469★	MIL-DTL-38999 Series I Hermetic Wall Mount Receptacle (SC1469★) . . . . .	Catalog 202
MS27470★	MIL-DTL-38999 Series I Hermetic Jam Nut Receptacle (SC1470★) . . . . .	Catalog 202
MS27471★	MIL-DTL-38999 Series I Hermetic Solder Mount Receptacle (SC1471★) . . . . .	Catalog 202
MS27472★	MIL-DTL-38999 Series II Wall Mount Receptacle (SC2472★) . . . . .	Catalog 202
MS27473★	MIL-DTL-38999 Series II Straight Plug (SC2473★) . . . . .	Catalog 202
MS27474★	MIL-DTL-38999 Series II Jam Nut Receptacle (SC2474★) . . . . .	Catalog 202
MS27475★	MIL-DTL-38999 Series II Hermetic Wall Mount Receptacle (SC2475★) . . . . .	Catalog 202
MS27476★	MIL-DTL-38999 Series II Hermetic Box Mount Receptacle (SC2476★) . . . . .	Catalog 202
MS27477★	MIL-DTL-38999 Series II Hermetic Jam Nut Receptacle (SC2477★) . . . . .	Catalog 202
MS27478★	MIL-DTL-38999 Series II Hermetic Solder Mount Receptacle (SC2478★) . . . . .	Catalog 202
MS27484★	MIL-DTL-38999 Series II EMI Straight Plug (SC2484★) . . . . .	Catalog 202
MS27488★	Sealing Plug . . . . .	17D-7
MS27496★	MIL-DTL-38999 Series I Box Mount Receptacle (SC1496★) . . . . .	Catalog 202
MS27497★	MIL-DTL-38999 Series II Wall Mount Receptacle (SC2497★) . . . . .	Catalog 202
MS27499★	MIL-DTL-38999 Series II Box Mount Receptacle (SC2499★) . . . . .	Catalog 202
MS27501★	MIL-DTL-38999 Series I Dust Cap for Plug (SC27501★) . . . . .	12D-5
MS27502★	MIL-DTL-38999 Series I Dust Cap for Receptacle (SC27502★) . . . . .	12D-5
MS27505★	MIL-DTL-38999 Series I Box Mount Receptacle (SC1505★) . . . . .	Catalog 202

★ Indicates additional alpha-numeric are required to complete part numbers.  
**CS** Contact our Sales Department for information on this part.



# CROSS REFERENCE/INDEX

MS27508★	MIL-DTL-38999 Series II Box Mount Receptacle (SC2508★)	Catalog 202
MS27510★	MIL-DTL-38999 Series II Dust Cap for Plug (SC27510★)	12D-7
MS27511★	MIL-DTL-38999 Series II Dust Cap for Receptacle (SC27511★)	12D-7
MS27513★	MIL-DTL-38999 Series II Box Mount Receptacle (SC2513★)	Catalog 202
MS27656★	MIL-DTL-38999 Series I Wall Mount Receptacle (SC1656★)	Catalog 202
MS27662★	MIL-DTL-38999 Series I Thru-Bulkhead Receptacle (SC1662★)	Catalog 202
MS51007	AS50151 & MIL-DTL-22992 Flange Gasket for Receptacle	13D-4
MS52000	AS50151 & MIL-DTL-22992 Flange Gasket for Receptacle	13D-4
NAS1196-★	Dummy Receptacle (SC1196-★)	CS
P12-3800-★	Pin Contact, Size 16	Catalog 102 & 302
P12-5100-★	Pin Contact, Size 16S	Catalog 102 & 302
P12-6500-★	Pin Contact, Size 12	Catalog 102 & 302
P12-7900-★	Pin Contact, Size 8	Catalog 102 & 302
P12-8500-★	Pin Contact, Size 4	Catalog 102 & 302
P12-9200-★	Pin Contact, Size 1/0	Catalog 102 & 302
P32-1900-343	Pin Contact, Size 20 Solder	Catalog 202
P32-1902-343	Pin Contact, Size 20 Solder	Catalog 202
P32-3800-343	Pin Contact, Size 16 Solder	Catalog 202
P32-3802-343	Pin Contact, Size 16 Solder	Catalog 202
R12-2500-★	Pin Contact, Size 18	Catalog 102 & 302
R12-3600-★	Pin Contact, Size 16	Catalog 102 & 302
R12-3608-★	Pin Contact, Size 16	Catalog 102 & 302
R12-3612-★	Pin Contact, Size 16	Catalog 102 & 302
R12-3613-★	Pin Contact, Size 16	Catalog 102 & 302
R12-3615-★	Pin Contact, Size 16	Catalog 102 & 302
R12-3620-★	Pin Contact, Size 16	Catalog 102 & 302
R12-3626-★	Pin Contact, Size 16	Catalog 102 & 302
R12-4900-★	Pin Contact, Size 16S	Catalog 102 & 302
R12-4912-★	Pin Contact, Size 16S	Catalog 102 & 302
R12-4913-★	Pin Contact, Size 16S	Catalog 102 & 302
R12-4915-★	Pin Contact, Size 16S	Catalog 102 & 302
R12-4926-★	Pin Contact, Size 16S	Catalog 102 & 302
R12-6400-★	Pin Contact, Size 12	Catalog 102 & 302
R12-6408-★	Pin Contact, Size 12	Catalog 102 & 302
R12-6412-★	Pin Contact, Size 12	Catalog 102 & 302
R12-6415-★	Pin Contact, Size 12	Catalog 102 & 302
R12-6420-★	Pin Contact, Size 12	Catalog 102 & 302
R12-6422-★	Pin Contact, Size 12	Catalog 102 & 302
R12-6430-★	Pin Contact, Size 12	Catalog 102 & 302
R12-6431-★	Pin Contact, Size 12	Catalog 102 & 302
R12-6438-★	Pin Contact, Size 12	Catalog 102 & 302
R12-7900-★	Pin Contact, Size 8	Catalog 102 & 302
R12-7915-★	Pin Contact, Size 8	Catalog 102 & 302
R12-7918-★	Pin Contact, Size 8	Catalog 102 & 302
R12-7926-★	Pin Contact, Size 8	Catalog 102 & 302
R12-7930-★	Pin Contact, Size 8	Catalog 102 & 302
R12-7950-★	Pin Contact, Size 8	Catalog 102 & 302
R12-7958-★	Pin Contact, Size 8	Catalog 102 & 302
R12-8500-★	Pin Contact, Size 4	Catalog 102 & 302
R12-8522-★	Pin Contact, Size 4	Catalog 102 & 302
R12-8525-★	Pin Contact, Size 4	Catalog 102 & 302
R12-8526-★	Pin Contact, Size 4	Catalog 102 & 302
R12-8530-★	Pin Contact, Size 4	Catalog 102 & 302
R12-8535-★	Pin Contact, Size 4	Catalog 102 & 302
R12-8550-★	Pin Contact, Size 4	Catalog 102 & 302
R12-8562-★	Pin Contact, Size 4	Catalog 102 & 302
R12-9200-★	Pin Contact, Size 1/0	Catalog 102 & 302
R12-9225-★	Pin Contact, Size 1/0	Catalog 102 & 302
R12-9235-★	Pin Contact, Size 1/0	Catalog 102 & 302
R12-9245-★	Pin Contact, Size 1/0	Catalog 102 & 302
R12-9246-★	Pin Contact, Size 1/0	Catalog 102 & 302
R12-9250-★	Pin Contact, Size 1/0	Catalog 102 & 302
R12-9275-★	Pin Contact, Size 1/0	Catalog 102 & 302
R12-9700-★	Pin Contact, Size 4/0	Catalog 102 & 302
R12-9715-★	Pin Contact, Size 4/0	Catalog 102 & 302
R12-9735-★	Pin Contact, Size 4/0	Catalog 102 & 302
R12-9790-★	Pin Contact, Size 4/0	Catalog 102 & 302
R32-1900-343	Pin Contact, Size 20 Crimp	Catalog 202

★ Indicates additional alpha-numeric are required to complete part numbers.  
 CS Contact our Sales Department for information on this part.





R32-1902-343	Pin Contact, Size 20 Crimp	Catalog 202
R32-3800-343	Pin Contact, Size 16 Crimp	Catalog 202
R32-3800-343	Pin Contact, Size 16 Crimp	Catalog 202
SOE19FB★	Panel Mount Receptacle	Catalog 302
SOE19FV★	In-Line Receptacle	Catalog 302
SOE19MP★	Panel Mount Plug	Catalog 302
SOE19MV★	Straight Plug	Catalog 302
SOX19FP★	Panel Mount Receptacle	Catalog 302
SOX19FV★	In-Line Receptacle	Catalog 302
SOX19MP★	Panel Mount Plug	Catalog 302
SOX19MV★	Straight Plug	Catalog 302
S12-3800-★	Socket Contact, Size 16	Catalog 102 & 302
S12-5100-★	Socket Contact, Size 16S	Catalog 102 & 302
S12-6500-★	Socket Contact, Size 12	Catalog 102 & 302
S12-7900-★	Socket Contact, Size 8	Catalog 102 & 302
S12-8500-★	Socket Contact, Size 4	Catalog 102 & 302
S12-9200-★	Socket Contact, Size 1/0	Catalog 102 & 302
S32-1900-343	Socket Contact, Size 20 Solder	Catalog 202
S32-1902-343	Socket Contact, Size 20 Solder	Catalog 202
S32-3800-343	Socket Contact, Size 16 Solder	Catalog 202
S32-3802-343	Socket Contact, Size 16 Solder	Catalog 202
SC30★	Wall Mount Receptacle	Catalog 102
SC31★	In-Line Receptacle	Catalog 102
SC32★	Box Mount Receptacle	Catalog 102
SC33★	Box Mount Receptacle, Threaded Rear Skirt	Catalog 102
SC34★	Jam Nut Receptacle	Catalog 102
SC36★	Straight Plug	Catalog 102
SC37★	Self-Locking Straight Plug	Catalog 102
SC38★	90 Degree Plug	Catalog 102
SC39★	45 Degree Plug	Catalog 102
SC50★	Wall Mount Receptacle	Catalog 102
SC51★	In-Line Receptacle	Catalog 102
SC52★	Box Mount Receptacle	Catalog 102
SC54★	Jam Nut Receptacle	Catalog 102
SC56★	Straight Plug	Catalog 102
SC59★	Self-Locking Straight Plug	Catalog 102
SC70★	Wall Mount Receptacle	Catalog 202
SC71★	In-Line Receptacle	Catalog 202
SC72★	Box Mount Receptacle	Catalog 202
SC74★	Jam Nut Receptacle	Catalog 202
SC75★	EMI Straight Plug	Catalog 202
SC76★	Straight Plug	Catalog 202
SC308C109P	Plug, 9 Size 20 Pin Crimp Contacts	Catalog 202
SC308C109P-F0	Plug, 9 Size 20 Pin Less Contacts	Catalog 202
SC308C109S	Receptacle, 9 Size 20 Socket Crimp Contacts	Catalog 202
SC308C109S-F0	Receptacle, 9 Size 20 Socket Less Contacts	Catalog 202
SC308C115P	Plug, 15 Size 22 Pin Crimp Contacts	Catalog 202
SC308C115P-F0	Plug, 15 Size 22 Pin Less Contacts	Catalog 202
SC308C115S	Receptacle, 15 Size 22 Socket Crimp Contacts	Catalog 202
SC308C115S-F0	Receptacle, 15 Size 22 Socket Less Contacts	Catalog 202
SC308C215P	Plug, 15 Size 20 Pin Crimp Contacts	Catalog 202
SC308C215P-F0	Plug, 15 Size 20 Pin Less Contacts	Catalog 202
SC308C215S	Receptacle, 15 Size 20 Socket Crimp Contacts	Catalog 202
SC308C215S-F0	Receptacle, 15 Size 20 Socket Less Contacts	Catalog 202
SC308C226P	Plug, 26 Size 22 Pin Crimp Contacts	Catalog 202
SC308C226P-F0	Plug, 26 Size 22 Pin Less Contacts	Catalog 202
SC308C226S	Receptacle, 26 Size 22 Socket Crimp Contacts	Catalog 202
SC308C226S-F0	Receptacle, 26 Size 22 Socket Less Contacts	Catalog 202
SC308C325P	Plug, 25 Size 20 Pin Crimp Contacts	Catalog 202
SC308C325P-F0	Plug, 25 Size 20 Pin Less Contacts	Catalog 202
SC308C325S	Receptacle, 25 Size 20 Socket Crimp Contacts	Catalog 202
SC308C325S-F0	Receptacle, 25 Size 20 Socket Less Contacts	Catalog 202
SC308C344P	Plug, 44 Size 22 Pin Crimp Contacts	Catalog 202
SC308C344P-F0	Plug, 44 Size 22 Pin Less Contacts	Catalog 202
SC308C344S	Receptacle, 44 Size 22 Socket Crimp Contacts	Catalog 202
SC308C344S-F0	Receptacle, 44 Size 22 Socket Less Contacts	Catalog 202
SC308C437P	Plug, 37 Size 20 Pin Crimp Contacts	Catalog 202
SC308C437P-F0	Plug, 37 Size 20 Pin Less Contacts	Catalog 202

★ Indicates additional alpha-numeric are required to complete part numbers.

**CS** Contact our Sales Department for information on this part.



# CROSS REFERENCE/INDEX

SC308C437S	Receptacle, 37 Size 20 Socket Crimp Contacts	Catalog 202
SC308C437S-F0	Receptacle, 37 Size 20 Socket Less Contacts	Catalog 202
SC308C462P	Plug, 62 Size 22 Pin Crimp Contacts	Catalog 202
SC308C462P-F0	Plug, 62 Size 22 Pin Less Contacts	Catalog 202
SC308C462S	Receptacle, 62 Size 22 Socket Crimp Contacts	Catalog 202
SC308C462S-F0	Receptacle, 62 Size 22 Socket Less Contacts	Catalog 202
SC308C550P	Plug, 50 Size 20 Pin Crimp Contacts	Catalog 202
SC308C550P-F0	Plug, 50 Size 20 Pin Less Contacts	Catalog 202
SC308C550S	Receptacle, 50 Size 20 Socket Crimp Contacts	Catalog 202
SC308C550S-F0	Receptacle, 50 Size 20 Socket Less Contacts	Catalog 202
SC308C578P	Plug, 78 Size 22 Pin Crimp Contacts	Catalog 202
SC308C578P-F0	Plug, 78 Size 22 Pin Less Contacts	Catalog 202
SC308C578S	Receptacle, 78 Size 22 Socket Crimp Contacts	Catalog 202
SC308C578S-F0	Receptacle, 78 Size 22 Socket Less Contacts	Catalog 202
SC308C6104P	Plug, 104 Size 22 Pin Crimp Contacts	Catalog 202
SC308C6104P-F0	Plug, 104 Size 22 Pin Less Contacts	Catalog 202
SC308C6104S	Receptacle, 104 Size 22 Socket Crimp Contacts	Catalog 202
SC308C6104S-F0	Receptacle, 104 Size 22 Socket Crimp Contacts	Catalog 202
SC723/59-1-★	MIL-DTL-83723 Series III Threaded Coupling Dust Cap for Plug	12D-9
SC723/59-2-★	MIL-DTL-83723 Series III Dust Cap for Plug Bayonet Coupling	12D-8
SC723/60-1-★	MIL-DTL-83723 Series III Dust Cap for Receptacle Threaded Coupling	12D-9
SC723/60-2-★	MIL-DTL-83723 Series III Dust Cap for Receptacle Bayonet Coupling	12D-8
SC723/61-1-★	MIL-DTL-83723 Series III Dummy Receptacle Threaded Coupling	12D-9
SC723/61-2-★	MIL-DTL-83723 Series III Dummy Receptacle Bayonet Coupling	12D-8
SC1001★	In-Line Receptacle	Catalog 202
SC1196★	Dummy Receptacle (NAS1196)	CS
SC1466★	Wall Mount Receptacle	Catalog 202
SC1467★	EMI Straight Plug	Catalog 202
SC1468★	Jam Nut Receptacle	Catalog 202
SC1469★	Hermetic Wall Mount Receptacle	Catalog 202
SC1470★	Hermetic Jam Nut Receptacle	Catalog 202
SC1471★	Hermetic Solder Mount Receptacle	Catalog 202
SC1496★	Box Mount Receptacle	Catalog 202
SC1498★	90° Degree Plug	Catalog 202
SC1505★	Box Receptacle, Rear Panel Mount	Catalog 202
SC1656★	Wall Mount Receptacle, Rear Panel Mount	Catalog 202
SC1662★	Thru-Bulkhead Receptacle	Catalog 202
SC2001★	In-Line Receptacle	Catalog 202
SC2472★	Wall Mount Receptacle	Catalog 202
SC2473★	Straight Plug	Catalog 202
SC2474★	Jam Nut Receptacle	Catalog 202
SC2475★	Hermetic Wall Mount Receptacle	Catalog 202
SC2476★	Hermetic Box Mount Receptacle	Catalog 202
SC2477★	Hermetic Jam Nut Receptacle	Catalog 202
SC2478★	Hermetic Solder Mount Receptacle	Catalog 202
SC2484★	EMI Straight Plug	Catalog 202
SC2497★	Wall Mount Receptacle	Catalog 202
SC2499★	Box Mount Receptacle	Catalog 202
SC2500★	90 Degree Plug	Catalog 202
SC2508★	Box Mount Receptacle	Catalog 202
SC2513★	Box Mount Receptacle	Catalog 202
SC3135★	Dummy Receptacle	CS
SC3185-★-1	Straight Potting Boot	7D-4
SC3185-★-2	90 Degree Potting Boot	7D-4
SC3186★	AS50151 MIL-DTL-26482, MIL-DTL-38999 Hexagonal Mounting Nut	14D-3
SC3901★	In-Line Receptacle	Catalog 202
SC3920★	Wall Mount Receptacle	Catalog 202
SC3921★	Hermetic Box Mount Receptacle	Catalog 202
SC3923★	Hermetic Jam Nut Receptacle	Catalog 202
SC3924★	Jam Nut Receptacle	Catalog 202
SC3925★	Hermetic Solder Mount Receptacle	Catalog 202
SC3926★	Straight Plug	Catalog 202
SC3927★	Weld Mount Receptacle	Catalog 202
SC14089-★	SCPDM, SCPDS Series Non-Environmental Dummy Receptacle	CS
SC14090-★	SCPDM, SCPDS Series Environmental Dummy Receptacle	CS
SC27501-★	Dust Cap for Plug (MS27501)	12D-5
SC27502-★	Dust Cap for Receptacle (MS27502)	12D-5
SC27510-★	Dust Cap for Plug (MS27510)	12D-6

★ Indicates additional alpha-numeric are required to complete part numbers.  
 CS Contact our Sales Department for information on this part.



SC27511-★	Dust Cap for Receptacle (MS27511)	12D-6
SC30825-★	D-Subminiature Male Screwlock	Catalog 202
SC30826-★	D-Subminiature Female Screwlock	Catalog 202
SC99909-★	Dummy Receptacle (M38999/9)	12D-7
SC99910-★	Dummy Receptacle (M38999/10)	12D-7
SC99922-★	Dummy Receptacle (D38999/22)	12D-7
SC99928★	Hexagonal Mounting Nut	14D-2
SC99932-★	Dust Cap for Plug (D38999/32)	12D-7
SC99933-★	Dust Cap for Receptacle (D38999/33)	12D-7
SC117975-★	Dummy Receptacle	CS
SC229468★	Rubber Bushing	16D-4
SC229469★	Rubber Bushing	16D-4
SCB02T★	Reverse Bayonet Dust Cap for Receptacle (SCPB★TF)	12D-10
SCB06T★	Reverse Bayonet Dust Cap for Plug (SCPB★TV)	12D-10
SCP0005-005-000	Pin Contact, Size 20	Catalog 202
SCP0005-007-000	Pin Contact, Size 20	Catalog 202
SCP0005-008-000	Pin Contact, Size 16	Catalog 202
SCP0005-008-001	Pin Contact, Size 16	Catalog 202
SCP0005-052-000	Pin Contact, Size 12	Catalog 202
SCP0007-007-000	Socket Contact, Size 20	Catalog 202
SCP0007-009-000	Socket Contact, Size 20	Catalog 202
SCP0007-014-000	Socket Contact, Size 16	Catalog 202
SCP0007-014-001	Socket Contact, Size 16	Catalog 202
SCP0007-065-000	Socket Contact, Size 12	Catalog 202
SCP00★	Wall Mount Receptacle	Catalog 102
SCP01★	In-Line Receptacle	Catalog 102
SCP02★	Box Mount Receptacle	Catalog 102
SCP03★	Jam Nut Receptacle Less Rear Threads	Catalog 102
SCP04★	Jam Nut Receptacle	Catalog 102
SCP05★	Panel Mount Plug	Catalog 102
SCP06★	Straight Plug	Catalog 102
SCP07★	Quick Disconnect Plug	Catalog 102
SCP08★	90° Degree Plug	Catalog 102
SCP09★	Box Mount Receptacle with PC Tails	Catalog 102
SCP106-001-000	Coaxial Pin Contact	Catalog 202
SCP106-003-000	Coaxial Pin Contact	Catalog 202
SCP107-001-000	Coaxial Socket Contact	Catalog 202
SCP107-003-000	Coaxial Socket Contact	Catalog 202
SCP200-12/30-★	Socket Contact, Size 12	Catalog 202
SCP200-16/30-★	Socket Contact, Size 16	Catalog 202
SCP720★-★	Wall Mount Receptacle	CS
SCP721★-★	In-Line Receptacle	CS
SCP722★-★	Box Mount Receptacle	CS
SCP726★-★	Straight Plug	CS
SCP728★-★	90 Degree Plug	CS
SCP729★-★	45 Degree Plug	CS
SCP749★	Cable Clamp	CS
SCP800-12/32★	Pin Contact, Size 12	Catalog 202
SCP800-16/32★	Pin Contact, Size 16	Catalog 202
SCP800-20/30★	Socket Contact, Size 20	Catalog 202
SCP800-20/32★	Pin Contact, Size 20	Catalog 202
SCP800/33-1	Coaxial Pin Contact	Catalog 202
SCP800/34-1	Coaxial Socket Contact	Catalog 202
SCP873★-★	Jam Nut Receptacle	Catalog 102
SCP874★-★	Jam Nut Receptacle	Catalog 102
SCP1070★-★	Wall Mount Receptacle	Catalog 102
SCP1071★-★	In-Line Receptacle	Catalog 102
SCP1072★-★	Box Mount Receptacle	Catalog 102
SCP1073★-★	Jam Nut Receptacle, Wall Mount	Catalog 102
SCP1074★-★	Thru-Bulkhead Receptacle	Catalog 102
SCP1076★-★	Straight Plug	Catalog 102
SCP1077★-★	Panel Mount Plug	Catalog 102
SCP1079★-★	Jam Nut Receptacle, Box Mount	Catalog 102
SCP1940★	Wall Mount Receptacle	Catalog 102
SCP1941★	In-Line Receptacle	Catalog 102
SCP1942★	Box Mount Receptacle	Catalog 102
SCP1943★	Jam Nut Receptacle	Catalog 102
SCP1946★	Straight Plug	Catalog 102

★ Indicates additional alpha-numeric are required to complete part numbers.  
**CS** Contact our Sales Department for information on this part.



# CROSS REFERENCE/INDEX

SCP3105-★	Dummy Receptacle (MS3105) . . . . .	12D-2
SCP3115-★	Series 1 & 2 Dummy Receptacle (MS3115) . . . . .	12D-4
SCP3180-★	Dust Cap for Plug (MS3180) . . . . .	12D-4
SCP3181-★	Dust Cap for Receptacle (MS3181) . . . . .	12D-4
SCP3182-★	Dust Cap for Plug . . . . .	CS
SCP3183-★	Dust Cap for Receptacle . . . . .	CS
SCP3186★	Hexagonal Mounting Nut (MS3186) . . . . .	14D-3
SCP4702-20-0056	Coaxial Pin Contact . . . . .	Catalog 202
SCP4702-21-0056	Coaxial Socket Contact . . . . .	Catalog 202
SCP10750-★	Dummy Receptacle SWL Series . . . . .	CS
SCP14089★	Dummy Receptacle . . . . .	CS
SCP14090★	Dummy Receptacle . . . . .	CS
SCP14946★	Lanyard Release Plug . . . . .	Catalog 202
SCP17343★-★	Wall Mount Receptacle . . . . .	Catalog 102
SCP17344★-★	Straight Plug . . . . .	Catalog 102
SCP17345★-★	In-Line Receptacle . . . . .	Catalog 102
SCP17346★-★	Box Mount Receptacle . . . . .	Catalog 102
SCP17347★-★	Jam Nut Receptacle, Wall Mount . . . . .	Catalog 102
SCP17348★-★	Jam Nut Receptacle, Box Mount . . . . .	Catalog 102
SCP17349-★	SWLD Series Dust Cap for Receptacle (MS17349) . . . . .	12D-3
SCP17350-★	SWLD Series Dust Cap for Plug (MS17350) . . . . .	12D-3
SCP18062-★	Dummy Receptacle (MS18062) . . . . .	12D-3
SCP25042-★	Dust Cap for Plug (MS25042) . . . . .	12D-2
SCP25043-★	Dust Cap for Receptacle (MS25043) . . . . .	12D-2
SCP36675-★	Flange Gasket for Receptacle . . . . .	13D-7
SCP40450-★	Flange Gasket for Receptacle . . . . .	13D-7
SCP40460-★	Flange Gasket for Receptacle . . . . .	13D-7
SCP101046-★	Dust Cap for Plug . . . . .	12D-11
SCP101048-★	Dust Cap for Receptacle . . . . .	12D-11
SCP101063-★	Dust Cap for Receptacle . . . . .	12D-11
SCP101332-★	Environmental Adapter with Woven Strain Relief . . . . .	CS
SCP101333-★	Environmental Cable Sealing Adapter . . . . .	CS
SCP101334-★	Environmental Cable Sealing Adapter . . . . .	CS
SCP101335-★	Environmental Cable Sealing Adapter . . . . .	CS
SCP101531-★	Dust Cap for Plug . . . . .	CS
SCP101949-★	Flange Gasket for Receptacle . . . . .	13D-6
SCP101950-★	Dust Cap for Receptacle . . . . .	CS
SCP101951-★	Dust Cap for Receptacle . . . . .	CS
SCP101955-★	Dust Cap for Plug . . . . .	CS
SCP101956-★	Dust Cap for Receptacle . . . . .	CS
SCP113138-★	Environmental Adapter . . . . .	CS
SCP113196-★	Environmental Adapter . . . . .	CS
SCP113637-★	Environmental Adapter with Woven Strain Relief . . . . .	CS
SCP150949-★	Flange Gasket for Receptacle . . . . .	13D-6
SCP229401★	Flange Gasket for Receptacle . . . . .	13D-5
SCP★TF	Reverse Bayonet Dust Cap for Receptacle . . . . .	12D-10
SCP★TV	Reverse Bayonet Dust Cap for Plug . . . . .	12D-10
SCPBE02★	¼" Band . . . . .	8D-34
SCPBE03★	Mini-Band . . . . .	8D-34
SCPBE04★	Mini-Band . . . . .	8D-34
SCPB00★	Reverse Bayonet Wall Mount Receptacle . . . . .	Catalog 102
SCPB01★	Reverse Bayonet In-Line Receptacle . . . . .	Catalog 102
SCPB01FR★	Reverse Bayonet In-Line Receptacle . . . . .	Catalog 102
SCPB02★	Reverse Bayonet Box Mount Receptacle . . . . .	Catalog 102
SCPB03★	Reverse Bayonet Box Mount Receptacle . . . . .	Catalog 102
SCPB05-★	Reverse Bayonet Dummy Receptacle . . . . .	12D-10
SCPB06★	Reverse Bayonet Straight Plug . . . . .	Catalog 102
SCPB07★	Reverse Bayonet Jam Nut Receptacle . . . . .	Catalog 102
SCPB08★	Reverse Bayonet 90 Degree Plug . . . . .	Catalog 102
SCPB020★	Reverse Bayonet Wall Mount Receptacle . . . . .	Catalog 102
SCPB030★	Reverse Bayonet Wall Mount Receptacle . . . . .	Catalog 102
SCPB038★	Reverse Bayonet 90 Degree Wall Mount Receptacle . . . . .	Catalog 102
SCPB064★	Reverse Bayonet Panel Mount Plug . . . . .	Catalog 102
SCPB065★	Reverse Bayonet Straight Plug . . . . .	Catalog 102
SCPB070★	Reverse Bayonet Jam Nut Receptacle . . . . .	Catalog 102
SCPBFR★	Jam Nut Receptacle . . . . .	Catalog 102
SCPBH00★	Reverse Bayonet Wall Mount Plug . . . . .	Catalog 102
SCPBH01★	Reverse Bayonet In-Line Receptacle . . . . .	Catalog 102

★ Indicates additional alpha-numeric are required to complete part numbers.  
 CS Contact our Sales Department for information on this part.





SCPBH02★	Reverse Bayonet Box Mount Plug	Catalog 102
SCPBH03★	Reverse Bayonet Wall Mount Plug	Catalog 102
SCPBH06★	Reverse Bayonet Straight Plug	Catalog 102
SCPBH07★	Reverse Bayonet Jam Nut Receptacle	Catalog 102
SCPBH08★	Reverse Bayonet 90 Degree Receptacle	Catalog 102
SCPBH020★	Reverse Bayonet Wall Mount Receptacle	Catalog 102
SCPBH030★	Reverse Bayonet Wall Mount Receptacle	Catalog 102
SCPBH038★	Reverse Bayonet 90 Degree Wall Mount Receptacle	Catalog 102
SCPBH064★	Reverse Bayonet Panel Mount Plug	Catalog 102
SCPBH065★	Reverse Bayonet Straight Plug	Catalog 102
SCPBH070★	Reverse Bayonet Jam Nut Receptacle	Catalog 102
SCPBHFR★	Jam Nut Receptacle	Catalog 102
SCPBS00★	Reverse Bayonet Wall Mount Receptacle	Catalog 102
SCPBS01★	Reverse Bayonet In-Line Receptacle	Catalog 102
SCPBS02★	Reverse Bayonet Box Mount Receptacle	Catalog 102
SCPBS03★	Reverse Bayonet Box Mount Receptacle	Catalog 102
SCPBS07★	Reverse Bayonet Jam Nut Receptacle	Catalog 102
SCPBS020★	Reverse Bayonet Wall Mount Receptacle	Catalog 102
SCPBS030★	Reverse Bayonet Wall Mount Receptacle	Catalog 102
SCPBS038★	Reverse Bayonet 90 Degree Wall Mount Receptacle	Catalog 102
SCPBS070★	Reverse Bayonet Jam Nut Receptacle	Catalog 102
SCPBSTB★	Reverse Bayonet Thru-Bulkhead Receptacle	Catalog 102
SCPBTB★	Reverse Bayonet Thru-Bulkhead Receptacle	Catalog 102
SCPC00★	Wall Mount Receptacle	Catalog 202
SCPC01★	In-Line Receptacle	Catalog 202
SCPC02★	Box Mount Receptacle	Catalog 202
SCPC03★	Wall Mount Receptacle Less Rear Hardware	Catalog 202
SCPC04★	In-Line Receptacle Less Rear Hardware	Catalog 202
SCPC05★	Straight Plug Less Rear Hardware	Catalog 202
SCPC06★	Straight Plug	Catalog 202
SCPC07★	Jam Nut Receptacle	Catalog 202
SCPC08★	90 Degree Plug	Catalog 202
SCPDM9605-★	Dust Cap for Receptacle	.CS
SCPDM9606★	Wall Mount Receptacle	Catalog 202
SCPDM9607★	In-Line Receptacle with Strain Relief	Catalog 202
SCPDM9608★	Jam Nut Receptacle with Strain Relief	Catalog 202
SCPDM9609★	In-Line Receptacle	Catalog 202
SCPDM9610★	Wall Mount Receptacle, Cable Sealing	Catalog 202
SCPDM9611★	Non-environmental Jam Nut Receptacle	Catalog 202
SCPDM9616★	Box Mount Receptacle	Catalog 202
SCPDM9617★	Wall Mount Receptacle with Strain Relief	Catalog 202
SCPDM9619★	Wall Mount Receptacle with Conduit Adapter	Catalog 202
SCPDM9620★	Jam Nut Receptacle with Conduit Adapter	Catalog 202
SCPDM9624★	In-Line Receptacle with Strain Relief	Catalog 202
SCPDM9700★	Straight Plug	Catalog 202
SCPDM9701-★A	Dust Cap for Plug	.CS
SCPDM9701-★B	Dust Cap for Plug	.CS
SCPDM9702★	Straight Plug with Strain Relief	Catalog 202
SCPDM9703★	Lanyard Release Straight Plug	Catalog 202
SCPDM9705★	Straight Plug, Cable Sealing	Catalog 202
SCPDM9708★	Straight Plug with Conduit Adapter	Catalog 202
SCPDM9717★	Lanyard Release Straight Plug with Strain Relief	Catalog 202
SCPDM9718★	Straight Plug with Knurled Coupling Nut	Catalog 202
SCPDM9720★	Lanyard Release Straight Plug, Smooth Coupling Nut	Catalog 202
SCPDM9728★	Straight Plug, with Strain Relief, Knurled Coupling Nut	Catalog 202
SCPDM14946★	Lanyard Release Straight Plug	Catalog 202
SCPDS00★	Wall Mount Receptacle	Catalog 202
SCPDS04★	Jam Nut Receptacle	Catalog 202
SCPDS07★	Straight Plug	Catalog 202
SCPDS09★	Rack and Panel Plug	Catalog 202
SCPDS17942★	Lanyard Release Straight Plug	Catalog 202
SCPSE02★	1/4" Band	8D-34
SCPSE03★	Mini-Band	8D-34
SCPSE04★	Mini-Band	8D-34
SCPT00★	Wall Mount Receptacle	Catalog 202
SCPT01★	In-Line Receptacle	Catalog 202
SCPT02★	Box Mount Receptacle	Catalog 202
SCPT03★	Wall Mount Receptacle Less Rear Hardware	Catalog 202

★ Indicates additional alpha-numeric are required to complete part numbers.  
**CS** Contact our Sales Department for information on this part.



# CROSS REFERENCE/INDEX

SCPT04★	In-Line Receptacle Less Rear Hardware . . . . .	Catalog 202
SCPT05★	Straight Plug Less Rear Hardware . . . . .	Catalog 202
SCPT06★	Straight Plug . . . . .	Catalog 202
SCPT07★	Jam Nut Receptacle. . . . .	Catalog 202
SCPT08★	90 Degree Plug . . . . .	Catalog 202
SCPTBF★	Thru-Bulkhead Receptacle. . . . .	Catalog 102
S3175-4	Mini Band, Flat (SCPSE03F) . . . . .	8D-34
S3175-4C	Mini Band, Coiled (SCPSE03C). . . . .	8D-34
S3175-3	Mini Band, Flat (SCPSE04F) . . . . .	8D-34
S3175-3C	Mini Band, Coiled (SCPSE04C). . . . .	8D-34
S3175-2	¼" Band, Flat (SCPSE02F) . . . . .	8D-34
S3175-2C	¼" Band, Coiled (SCPSE02C) . . . . .	8D-34
T12-2500-★	Socket Contact, Size 18 . . . . .	Catalog 102
T12-3600-★	Socket Contact, Size 16 . . . . .	Catalog 102
T12-3608-★	Socket Contact, Size 16 . . . . .	Catalog 102
T12-3612-★	Socket Contact, Size 16 . . . . .	Catalog 102
T12-3613-★	Socket Contact, Size 16 . . . . .	Catalog 102
T12-3615-★	Socket Contact, Size 16 . . . . .	Catalog 102
T12-3620-★	Socket Contact, Size 16 . . . . .	Catalog 102
T12-3626-★	Socket Contact, Size 16 . . . . .	Catalog 102
T12-4900-★	Socket Contact, Size 16S . . . . .	Catalog 102
T12-4912-★	Socket Contact, Size 16S . . . . .	Catalog 102
T12-4913-★	Socket Contact, Size 16S . . . . .	Catalog 102
T12-4915-★	Socket Contact, Size 16S . . . . .	Catalog 102
T12-4926-★	Socket Contact, Size 16S . . . . .	Catalog 102
T12-6400-★	Socket Contact, Size 12 . . . . .	Catalog 102
T12-6408-★	Socket Contact, Size 12 . . . . .	Catalog 102
T12-6412-★	Socket Contact, Size 12 . . . . .	Catalog 102
T12-6415-★	Socket Contact, Size 12 . . . . .	Catalog 102
T12-6420-★	Socket Contact, Size 12 . . . . .	Catalog 102
T12-6422-★	Socket Contact, Size 12 . . . . .	Catalog 102
T12-6430-★	Socket Contact, Size 12 . . . . .	Catalog 102
T12-6431-★	Socket Contact, Size 12 . . . . .	Catalog 102
T12-6438-★	Socket Contact, Size 12 . . . . .	Catalog 102
T12-7900-★	Socket Contact, Size 8 . . . . .	Catalog 102
T12-7915-★	Socket Contact, Size 8 . . . . .	Catalog 102
T12-7918-★	Socket Contact, Size 8 . . . . .	Catalog 102
T12-7926-★	Socket Contact, Size 8 . . . . .	Catalog 102
T12-7930-★	Socket Contact, Size 8 . . . . .	Catalog 102
T12-7950-★	Socket Contact, Size 8 . . . . .	Catalog 102
T12-7958-★	Socket Contact, Size 8 . . . . .	Catalog 102
T12-8000-★	Socket Contact, Size 8 . . . . .	Catalog 102
T12-8015-★	Socket Contact, Size 8 . . . . .	Catalog 102
T12-8018-★	Socket Contact, Size 8 . . . . .	Catalog 102
T12-8026-★	Socket Contact, Size 8 . . . . .	Catalog 102
T12-8030-★	Socket Contact, Size 8 . . . . .	Catalog 102
T12-8050-★	Socket Contact, Size 8 . . . . .	Catalog 102
T12-8058-★	Socket Contact, Size 8 . . . . .	Catalog 102
T12-8500-★	Socket Contact, Size 4 . . . . .	Catalog 102
T12-8522-★	Socket Contact, Size 4 . . . . .	Catalog 102
T12-8525-★	Socket Contact, Size 4 . . . . .	Catalog 102
T12-8526-★	Socket Contact, Size 4 . . . . .	Catalog 102
T12-8530-★	Socket Contact, Size 4 . . . . .	Catalog 102
T12-8535-★	Socket Contact, Size 4 . . . . .	Catalog 102
T12-8550-★	Socket Contact, Size 4 . . . . .	Catalog 102
T12-8562-★	Socket Contact, Size 4 . . . . .	Catalog 102
T12-8600-★	Socket Contact, Size 4 . . . . .	Catalog 102
T12-8622-★	Socket Contact, Size 4 . . . . .	Catalog 102
T12-8625-★	Socket Contact, Size 4 . . . . .	Catalog 102
T12-8626-★	Socket Contact, Size 4 . . . . .	Catalog 102
T12-8630-★	Socket Contact, Size 4 . . . . .	Catalog 102
T12-8635-★	Socket Contact, Size 4 . . . . .	Catalog 102
T12-8650-★	Socket Contact, Size 4 . . . . .	Catalog 102
T12-8662-★	Socket Contact, Size 4 . . . . .	Catalog 102
T12-9200-★	Socket Contact, Size 1/0 . . . . .	Catalog 102
T12-9225-★	Socket Contact, Size 1/0 . . . . .	Catalog 102
T12-9235-★	Socket Contact, Size 1/0 . . . . .	Catalog 102
T12-9245-★	Socket Contact, Size 1/0 . . . . .	Catalog 102

★ Indicates additional alpha-numeric are required to complete part numbers.  
 CS Contact our Sales Department for information on this part.



T12-9246-★	Socket Contact, Size 1/0	Catalog 102
T12-9250-★	Socket Contact, Size 1/0	Catalog 102
T12-9275-★	Socket Contact, Size 1/0	Catalog 102
T12-9300-★	Socket Contact, Size 1/0	Catalog 102
T12-9335-★	Socket Contact, Size 1/0	Catalog 102
T12-9345-★	Socket Contact, Size 1/0	Catalog 102
T12-9346-★	Socket Contact, Size 1/0	Catalog 102
T12-9350-★	Socket Contact, Size 1/0	Catalog 102
T12-9375-★	Socket Contact, Size 1/0	Catalog 102
T12-9700-★	Socket Contact, Size 4/0	Catalog 102
T12-9715-★	Socket Contact, Size 4/0	Catalog 102
T12-9735-★	Socket Contact, Size 4/0	Catalog 102
T12-9790-★	Socket Contact, Size 4/0	Catalog 102
T32-1900-343	Socket Contact Size 20	Catalog 202
T32-1902-343	Socket Contact Size 20	Catalog 202
T32-3800-343	Socket Contact Size 16	Catalog 202
T32-3802-343	Socket Contact Size 16	Catalog 202
TL10-580902-★	Reverse Bayonet Dust Cap for Receptacle (SCPB★TF)	12D-10
TL10-580903-★	Reverse Bayonet Dust Cap for Plug (SCPB★TV)	12D-10
VG95234B0D10SL	Reverse Bayonet Dummy Receptacle (SCPB05-10SL)	12D-10
VG95234B0D14S	Reverse Bayonet Dummy Receptacle (SCPB05-14S)	12D-10
VG95234B0D16S	Reverse Bayonet Dummy Receptacle (SCPB05-16S)	12D-10
VG95234B0D16	Reverse Bayonet Dummy Receptacle (SCPB05-10)	12D-10
VG95234B0D18	Reverse Bayonet Dummy Receptacle (SCPB05-18)	12D-10
VG95234B0D20	Reverse Bayonet Dummy Receptacle (SCPB05-20)	12D-10
VG95234B0D22	Reverse Bayonet Dummy Receptacle (SCPB05-22)	12D-10
VG95234B0D24	Reverse Bayonet Dummy Receptacle (SCPB05-24)	12D-10
VG95234B0D28	Reverse Bayonet Dummy Receptacle (SCPB05-28)	12D-10
VG95234B0D32	Reverse Bayonet Dummy Receptacle (SCPB05-32)	12D-10
VG95234B0D36	Reverse Bayonet Dummy Receptacle (SCPB05-36)	12D-10
VG95234DA10SL-1	Flange Gasket for Receptacle (SCP40450-10)	13D-7
VG95234DA10SL-2	Flange Gasket for Receptacle (SCP40450-10S)	13D-7
VG95234DA12S-1	Flange Gasket for Receptacle (SCP40450-12)	13D-7
VG95234DA12S-2	Flange Gasket for Receptacle (SCP40450-12S)	13D-7
VG95234DA14S-1	Flange Gasket for Receptacle (SCP40450-14)	13D-7
VG95234DA14S-2	Flange Gasket for Receptacle (SCP40450-14S)	13D-7
VG95234DA16-1	Flange Gasket for Receptacle (SCP40450-16)	13D-7
VG95234DA16-2	Flange Gasket for Receptacle (SCP40450-16S)	13D-7
VG95234DA18-1	Flange Gasket for Receptacle (SCP40450-18)	13D-7
VG95234DA18-2	Flange Gasket for Receptacle (SCP40450-18S)	13D-7
VG95234DA20-1	Flange Gasket for Receptacle (SCP40450-20)	13D-7
VG95234DA20-2	Flange Gasket for Receptacle (SCP40450-20S)	13D-7
VG95234DA22-1	Flange Gasket for Receptacle (SCP40450-22)	13D-7
VG95234DA22-2	Flange Gasket for Receptacle (SCP40450-22S)	13D-7
VG95234DA24-1	Flange Gasket for Receptacle (SCP40450-24)	13D-7
VG95234DA24-2	Flange Gasket for Receptacle (SCP40450-24S)	13D-7
VG95234DA28-1	Flange Gasket for Receptacle (SCP40450-28)	13D-7
VG95234DA28-2	Flange Gasket for Receptacle (SCP40450-28S)	13D-7
VG95234DA32-1	Flange Gasket for Receptacle (SCP40450-32)	13D-7
VG95234DA32-2	Flange Gasket for Receptacle (SCP40450-32S)	13D-7
VG95234DA36-1	Flange Gasket for Receptacle (SCP40450-36)	13D-7
VG95234DA36-2	Flange Gasket for Receptacle (SCP40450-36S)	13D-7
VG95234DH10SL-1	Flange Gasket for Receptacle (SCP40460-10)	13D-7
VG95234DH10SL-2	Flange Gasket for Receptacle (SCP40460-10S)	13D-7
VG95234DH12S-1	Flange Gasket for Receptacle (SCP40460-12)	13D-7
VG95234DH12S-2	Flange Gasket for Receptacle (SCP40460-12S)	13D-7
VG95234DH14S-1	Flange Gasket for Receptacle (SCP40460-14)	13D-7
VG95234DH14S-2	Flange Gasket for Receptacle (SCP40460-14S)	13D-7
VG95234DH16-1	Flange Gasket for Receptacle (SCP40460-16)	13D-7
VG95234DH16-2	Flange Gasket for Receptacle (SCP40460-16S)	13D-7
VG95234DH18-1	Flange Gasket for Receptacle (SCP40460-18)	13D-7
VG95234DH18-2	Flange Gasket for Receptacle (SCP40460-18S)	13D-7
VG95234DH20-1	Flange Gasket for Receptacle (SCP40460-20)	13D-7
VG95234DH20-2	Flange Gasket for Receptacle (SCP40460-20S)	13D-7
VG95234DH22-1	Flange Gasket for Receptacle (SCP40460-22)	13D-7
VG95234DH22-2	Flange Gasket for Receptacle (SCP40460-22S)	13D-7
VG95234DH24-1	Flange Gasket for Receptacle (SCP40460-24)	13D-7
VG95234DH24-2	Flange Gasket for Receptacle (SCP40460-24S)	13D-7

★ Indicates additional alpha-numeric are required to complete part numbers.

CS Contact our Sales Department for information on this part.



# CROSS REFERENCE/INDEX

VG95234DH28-1	Flange Gasket for Receptacle (SCP40460-28)	13D-7
VG95234DH28-2	Flange Gasket for Receptacle (SCP40460-28S)	13D-7
VG95234DH32-1	Flange Gasket for Receptacle (SCP40460-32)	13D-7
VG95234DH32-2	Flange Gasket for Receptacle (SCP40460-32S)	13D-7
VG95234DH36-1	Flange Gasket for Receptacle (SCP40460-36)	13D-7
VG95234DH36-2	Flange Gasket for Receptacle (SCP40460-36S)	13D-7
VG95234KB10SL	Reverse Bayonet Dust Cap for Plug (SCPB10SLTV)	12D-10
VG95234KB12S	Reverse Bayonet Dust Cap for Plug (SCPB12STV)	12D-10
VG95234KB14S	Reverse Bayonet Dust Cap for Plug (SCPB14STV)	12D-10
VG95234KB16S	Reverse Bayonet Dust Cap for Plug (SCPB16STV)	12D-10
VG95234KB16	Reverse Bayonet Dust Cap for Plug (SCPB16TV)	12D-10
VG95234KB18	Reverse Bayonet Dust Cap for Plug (SCPB18TV)	12D-10
VG95234KB20	Reverse Bayonet Dust Cap for Plug (SCPB20TV)	12D-10
VG95234KB22	Reverse Bayonet Dust Cap for Plug (SCPB22TV)	12D-10
VG95234KB24	Reverse Bayonet Dust Cap for Plug (SCPB24TV)	12D-10
VG95234KB28	Reverse Bayonet Dust Cap for Plug (SCPB28TV)	12D-10
VG95234KB32	Reverse Bayonet Dust Cap for Plug (SCPB32TV)	12D-10
VG95234KB36	Reverse Bayonet Dust Cap for Plug (SCPB36TV)	12D-10
VG95234KR10SL	Reverse Bayonet Dust Cap for Receptacle (SCPB10SLTF)	12D-10
VG95234KR12S	Reverse Bayonet Dust Cap for Receptacle (SCPB12STF)	12D-10
VG95234KR14S	Reverse Bayonet Dust Cap for Receptacle (SCPB14STF)	12D-10
VG95234KR16S	Reverse Bayonet Dust Cap for Receptacle (SCPB16STF)	12D-10
VG95234KR16	Reverse Bayonet Dust Cap for Receptacle (SCPB16TF)	12D-10
VG95234KR18	Reverse Bayonet Dust Cap for Receptacle (SCPB18TF)	12D-10
VG95234KR20	Reverse Bayonet Dust Cap for Receptacle (SCPB20TF)	12D-10
VG95234KR22	Reverse Bayonet Dust Cap for Receptacle (SCPB22TF)	12D-10
VG95234KR24	Reverse Bayonet Dust Cap for Receptacle (SCPB24TF)	12D-10
VG95234KR28	Reverse Bayonet Dust Cap for Receptacle (SCPB28TF)	12D-10
VG95234KR32	Reverse Bayonet Dust Cap for Receptacle (SCPB32TF)	12D-10
VG95234KR36	Reverse Bayonet Dust Cap for Receptacle (SCPB36TF)	12D-10
075-8501-000	Flange Gasket for Receptacle (SCP40460-10)	13D-7
075-8501-001	Flange Gasket for Receptacle (SCP40460-10S)	13D-7
075-8502-000	Flange Gasket for Receptacle (SCP40460-12)	13D-7
075-8502-001	Flange Gasket for Receptacle (SCP40460-12S)	13D-7
075-8503-000	Flange Gasket for Receptacle (SCP40460-14)	13D-7
075-8503-001	Flange Gasket for Receptacle (SCP40460-14S)	13D-7
075-8504-000	Flange Gasket for Receptacle (SCP40460-16)	13D-7
075-8504-001	Flange Gasket for Receptacle (SCP40460-16S)	13D-7
075-8505-000	Flange Gasket for Receptacle (SCP40460-18)	13D-7
075-8505-001	Flange Gasket for Receptacle (SCP40460-18S)	13D-7
075-8506-000	Flange Gasket for Receptacle (SCP40460-20)	13D-7
075-8506-001	Flange Gasket for Receptacle (SCP40460-20S)	13D-7
075-8507-000	Flange Gasket for Receptacle (SCP40460-22)	13D-7
075-8507-001	Flange Gasket for Receptacle (SCP40460-22S)	13D-7
075-8508-000	Flange Gasket for Receptacle (SCP40460-24)	13D-7
075-8508-001	Flange Gasket for Receptacle (SCP40460-24S)	13D-7
075-8509-000	Flange Gasket for Receptacle (SCP40460-28)	13D-7
075-8509-001	Flange Gasket for Receptacle (SCP40460-28S)	13D-7
075-8510-000	Flange Gasket for Receptacle (SCP40460-32)	13D-7
075-8510-001	Flange Gasket for Receptacle (SCP40460-32S)	13D-7
075-8511-000	Flange Gasket for Receptacle (SCP40460-36)	13D-7
075-8511-001	Flange Gasket for Receptacle (SCP40460-36S)	13D-7
075-8512-000	Flange Gasket for Receptacle (SCP40450-10)	13D-7
075-8512-001	Flange Gasket for Receptacle (SCP40450-10S)	13D-7
075-8513-000	Flange Gasket for Receptacle (SCP40450-12)	13D-7
075-8513-001	Flange Gasket for Receptacle (SCP40450-12S)	13D-7
075-8514-000	Flange Gasket for Receptacle (SCP40450-14)	13D-7
075-8514-001	Flange Gasket for Receptacle (SCP40450-14S)	13D-7
075-8515-000	Flange Gasket for Receptacle (SCP40450-16)	13D-7
075-8515-001	Flange Gasket for Receptacle (SCP40450-16S)	13D-7
075-8516-000	Flange Gasket for Receptacle (SCP40450-18)	13D-7
075-8516-001	Flange Gasket for Receptacle (SCP40450-18S)	13D-7
075-8517-000	Flange Gasket for Receptacle (SCP40450-20)	13D-7
075-8517-001	Flange Gasket for Receptacle (SCP40450-20S)	13D-7
075-8518-000	Flange Gasket for Receptacle (SCP40450-22)	13D-7
075-8518-001	Flange Gasket for Receptacle (SCP40450-22S)	13D-7
075-8519-000	Flange Gasket for Receptacle (SCP40450-24)	13D-7
075-8519-001	Flange Gasket for Receptacle (SCP40450-24S)	13D-7

★ Indicates additional alpha-numeric are required to complete part numbers.

CS Contact our Sales Department for information on this part.





075-8520-000	Flange Gasket for Receptacle (SCP40450-28) . . . . .	13D-7
075-8520-001	Flange Gasket for Receptacle (SCP40450-28S) . . . . .	13D-7
075-8521-000	Flange Gasket for Receptacle (SCP40450-32) . . . . .	13D-7
075-8521-001	Flange Gasket for Receptacle (SCP40450-32S) . . . . .	13D-7
075-8522-000	Flange Gasket for Receptacle (SCP40450-36) . . . . .	13D-7
075-8522-001	Flange Gasket for Receptacle (SCP40450-36) . . . . .	13D-7
10-1075★-★	Dummy Receptacle (SCP10750★-★) . . . . .	12D-11
10-36675-★	Flange Gasket for Receptacle (SCP36675-★) . . . . .	13D-7
10-40450-10	Flange Gasket for Receptacle (SCP40450-10) . . . . .	13D-7
10-40450-10S	Flange Gasket for Receptacle (SCP40450-10S) . . . . .	13D-7
10-40450-12S	Flange Gasket for Receptacle (SCP40450-12S) . . . . .	13D-7
10-40450-14	Flange Gasket for Receptacle (SCP40450-14) . . . . .	13D-7
10-40450-14S	Flange Gasket for Receptacle (SCP40450-14S) . . . . .	13D-7
10-40450-16	Flange Gasket for Receptacle (SCP40450-16) . . . . .	13D-7
10-40450-16S	Flange Gasket for Receptacle (SCP40450-16S) . . . . .	13D-7
10-40450-18	Flange Gasket for Receptacle (SCP40450-18) . . . . .	13D-7
10-40450-18S	Flange Gasket for Receptacle (SCP40450-18S) . . . . .	13D-7
10-40450-20	Flange Gasket for Receptacle (SCP40450-20) . . . . .	13D-7
10-40450-20S	Flange Gasket for Receptacle (SCP40450-20S) . . . . .	13D-7
10-40450-22	Flange Gasket for Receptacle (SCP40450-22) . . . . .	13D-7
10-40450-22S	Flange Gasket for Receptacle (SCP40450-22S) . . . . .	13D-7
10-40450-24	Flange Gasket for Receptacle (SCP40450-24) . . . . .	13D-7
10-40450-24S	Flange Gasket for Receptacle (SCP40450-24S) . . . . .	13D-7
10-40450-28	Flange Gasket for Receptacle (SCP40450-28) . . . . .	13D-7
10-40450-28S	Flange Gasket for Receptacle (SCP40450-28S) . . . . .	13D-7
10-40450-32	Flange Gasket for Receptacle (SCP40450-32) . . . . .	13D-7
10-40450-32S	Flange Gasket for Receptacle (SCP40450-32S) . . . . .	13D-7
10-40450-36	Flange Gasket for Receptacle (SCP40450-36) . . . . .	13D-7
10-40450-36S	Flange Gasket for Receptacle (SCP40450-36S) . . . . .	13D-7
10-40450-40	Flange Gasket for Receptacle (SCP40450-40) . . . . .	13D-7
10-40450-40S	Flange Gasket for Receptacle (SCP40450-40S) . . . . .	13D-7
10-101046-★	Dust Cap for Plug (SCP101046-★) . . . . .	12D-11
10-101048-★	Dust Cap for Plug (SCP101048-★) . . . . .	12D-11
10-101063-★	Dust Cap for Receptacle (SCP101063-★) . . . . .	12D-11
10-101332-★	Environmental Adapter with Woven Strain Relief (SCP101332-★) . . . . .	CS
10-101333-★	Environmental Cable Sealing Adapter (SCP101333-★) . . . . .	CS
10-101334-★	Environmental Cable Sealing Adapter (SCP101334-★) . . . . .	CS
10-101335-★	Environmental Cable Sealing Adapter (SCP101335-★) . . . . .	CS
10-101531-★	Dust Cap for Receptacle (SCP101531-★) . . . . .	CS
10-101949-★	Flange Gasket for Receptacle (SCP101949-★) . . . . .	13D-6
10-101950-★	Threaded Dust Cap for Plug (SCP101950-★) . . . . .	CS
10-101951-★	Threaded Dust Cap for Receptacle (SCP101951-★) . . . . .	CS
10-101955-★	Threaded Dust Cap for Plug (SCP101955-★) . . . . .	CS
10-101956-★	Threaded Dust Cap for Receptacle (SCP101956-★) . . . . .	CS
10-113138-★	Environmental Adapter (SCP113138-★) . . . . .	CS
10-113196-★	Environmental Adapter (SCP113196-★) . . . . .	CS
10-113637-★	Environmental Adapter with Woven Strain Relief (SCP113637-★) . . . . .	CS
10-117975-★	Threaded Dummy Receptacle (SCP117975-★) . . . . .	CS
10-150949-★	Flange Gasket for Receptacle (SCP150949-★) . . . . .	13D-6
10-407552-15	Contact Pin PCB Gold Plated Size 22 (J52-0901-143) . . . . .	CS
10-497596-55	Contact Socket PCB Gold Plated Size 20 (M52-2202-143) . . . . .	CS
10-497623-45	Contact Socket PCB Gold Plated Size 22 (M52-0901-343) . . . . .	CS
10-497623-145	Contact Socket PCB Gold Plated Size 22 (M52-0920-543) . . . . .	CS
10-497643-20	Contact Socket PCB Gold Plated Size 20 (M52-2202-543) . . . . .	CS
10-580649-11	Flange Gasket for Receptacle (SCP40460-10) . . . . .	13D-7
10-580649-14	Flange Gasket for Receptacle (SCP40460-14) . . . . .	13D-7
10-580649-16	Flange Gasket for Receptacle (SCP40460-16) . . . . .	13D-7
10-580649-18	Flange Gasket for Receptacle (SCP40460-18) . . . . .	13D-7
10-580649-20	Flange Gasket for Receptacle (SCP40460-20) . . . . .	13D-7
10-580649-22	Flange Gasket for Receptacle (SCP40460-22) . . . . .	13D-7
10-580649-24	Flange Gasket for Receptacle (SCP40460-24) . . . . .	13D-7
10-580649-28	Flange Gasket for Receptacle (SCP40460-28) . . . . .	13D-7
10-580649-32	Flange Gasket for Receptacle (SCP40460-32) . . . . .	13D-7
10-580649-36	Flange Gasket for Receptacle (SCP40460-36) . . . . .	13D-7
10-580649-40	Flange Gasket for Receptacle (SCP40460-40) . . . . .	13D-7
10-580902-112	Reverse Bayonet Dust Cap for Receptacle (SCPB10SLTF-B68) . . . . .	12D-10
10-580902-113	Reverse Bayonet Dust Cap for Receptacle (SCPB10SLTF) . . . . .	12D-10
10-580902-119	Reverse Bayonet Dust Cap for Receptacle (SCPB10SLTF-014) . . . . .	12D-10

★ Indicates additional alpha-numeric are required to complete part numbers.  
**CS** Contact our Sales Department for information on this part.



# CROSS REFERENCE/INDEX

10-580902-142	Reverse Bayonet Dust Cap for Receptacle (SCPB14SLTF-B68)	12D-10
10-580902-143	Reverse Bayonet Dust Cap for Receptacle (SCPB14SLTF)	12D-10
10-580902-149	Reverse Bayonet Dust Cap for Receptacle (SCPB14SLTF-014)	12D-10
10-580902-162	Reverse Bayonet Dust Cap for Receptacle (SCPB16SLTF-B68)	12D-10
10-580902-163	Reverse Bayonet Dust Cap for Receptacle (SCPB16SLTF)	12D-10
10-580902-169	Reverse Bayonet Dust Cap for Receptacle (SCPB16SLTF-014)	12D-10
10-580902-172	Reverse Bayonet Dust Cap for Receptacle (SCPB16LTF-B68)	12D-10
10-580902-173	Reverse Bayonet Dust Cap for Receptacle (SCPB16LTF)	12D-10
10-580902-179	Reverse Bayonet Dust Cap for Receptacle (SCPB16LTF-014)	12D-10
10-580902-182	Reverse Bayonet Dust Cap for Receptacle (SCPB18LTF-B68)	12D-10
10-580902-183	Reverse Bayonet Dust Cap for Receptacle (SCPB18LTF)	12D-10
10-580902-189	Reverse Bayonet Dust Cap for Receptacle (SCPB18LTF-014)	12D-10
10-580902-202	Reverse Bayonet Dust Cap for Receptacle (SCPB20LTF-B68)	12D-10
10-580902-203	Reverse Bayonet Dust Cap for Receptacle (SCPB20LTF)	12D-10
10-580902-209	Reverse Bayonet Dust Cap for Receptacle (SCPB20LTF-014)	12D-10
10-580902-222	Reverse Bayonet Dust Cap for Receptacle (SCPB22LTF-B68)	12D-10
10-580902-223	Reverse Bayonet Dust Cap for Receptacle (SCPB22LTF)	12D-10
10-580902-229	Reverse Bayonet Dust Cap for Receptacle (SCPB22LTF-014)	12D-10
10-580902-242	Reverse Bayonet Dust Cap for Receptacle (SCPB24LTF-B68)	12D-10
10-580902-243	Reverse Bayonet Dust Cap for Receptacle (SCPB24LTF)	12D-10
10-580902-249	Reverse Bayonet Dust Cap for Receptacle (SCPB24LTF-014)	12D-10
10-580902-282	Reverse Bayonet Dust Cap for Receptacle (SCPB28LTF-B68)	12D-10
10-580902-283	Reverse Bayonet Dust Cap for Receptacle (SCPB28LTF)	12D-10
10-580902-289	Reverse Bayonet Dust Cap for Receptacle (SCPB28LTF-014)	12D-10
10-580902-322	Reverse Bayonet Dust Cap for Receptacle (SCPB32LTF-B68)	12D-10
10-580902-323	Reverse Bayonet Dust Cap for Receptacle (SCPB32LTF)	12D-10
10-580902-329	Reverse Bayonet Dust Cap for Receptacle (SCPB32LTF-014)	12D-10
10-580902-362	Reverse Bayonet Dust Cap for Receptacle (SCPB36LTF-B68)	12D-10
10-580902-363	Reverse Bayonet Dust Cap for Receptacle (SCPB36LTF)	12D-10
10-580902-369	Reverse Bayonet Dust Cap for Receptacle (SCPB36LTF-014)	12D-10
10-580902-402	Reverse Bayonet Dust Cap for Receptacle (SCPB40LTF-B68)	12D-10
10-580902-403	Reverse Bayonet Dust Cap for Receptacle (SCPB40LTF)	12D-10
10-580902-409	Reverse Bayonet Dust Cap for Receptacle (SCPB40LTF-014)	12D-10
10-580903-112	Reverse Bayonet Dust Cap for Plug (SCPB10SLTV-B68)	12D-10
10-580903-113	Reverse Bayonet Dust Cap for Plug (SCPB10SLTV)	12D-10
10-580903-119	Reverse Bayonet Dust Cap for Plug (SCPB10SLTV-014)	12D-10
10-580903-142	Reverse Bayonet Dust Cap for Plug (SCPB14SLTV-B68)	12D-10
10-580903-143	Reverse Bayonet Dust Cap for Plug (SCPB14SLTV)	12D-10
10-580903-149	Reverse Bayonet Dust Cap for Plug (SCPB14SLTV-014)	12D-10
10-580903-162	Reverse Bayonet Dust Cap for Plug (SCPB16SLTV-B68)	12D-10
10-580903-163	Reverse Bayonet Dust Cap for Plug (SCPB16SLTV)	12D-10
10-580903-169	Reverse Bayonet Dust Cap for Plug (SCPB16SLTV-014)	12D-10
10-580903-172	Reverse Bayonet Dust Cap for Plug (SCPB16LTV-B68)	12D-10
10-580903-173	Reverse Bayonet Dust Cap for Plug (SCPB16LTV)	12D-10
10-580903-179	Reverse Bayonet Dust Cap for Plug (SCPB16LTV-014)	12D-10
10-580903-182	Reverse Bayonet Dust Cap for Plug (SCPB18LTV-B68)	12D-10
10-580903-183	Reverse Bayonet Dust Cap for Plug (SCPB18LTV)	12D-10
10-580903-189	Reverse Bayonet Dust Cap for Plug (SCPB18LTV-014)	12D-10
10-580903-202	Reverse Bayonet Dust Cap for Plug (SCPB20LTV-B68)	12D-10
10-580903-203	Reverse Bayonet Dust Cap for Plug (SCPB20LTV)	12D-10
10-580903-209	Reverse Bayonet Dust Cap for Plug (SCPB20LTV-014)	12D-10
10-580903-222	Reverse Bayonet Dust Cap for Plug (SCPB22LTV-B68)	12D-10
10-580903-223	Reverse Bayonet Dust Cap for Plug (SCPB22LTV)	12D-10
10-580903-229	Reverse Bayonet Dust Cap for Plug (SCPB22LTV-014)	12D-10
10-580903-242	Reverse Bayonet Dust Cap for Plug (SCPB24LTV-B68)	12D-10
10-580903-243	Reverse Bayonet Dust Cap for Plug (SCPB24LTV)	12D-10
10-580903-249	Reverse Bayonet Dust Cap for Plug (SCPB24LTV-014)	12D-10
10-580903-282	Reverse Bayonet Dust Cap for Plug (SCPB28LTV-B68)	12D-10
10-580903-283	Reverse Bayonet Dust Cap for Plug (SCPB28LTV)	12D-10
10-580903-289	Reverse Bayonet Dust Cap for Plug (SCPB28LTV-014)	12D-10
10-580903-322	Reverse Bayonet Dust Cap for Plug (SCPB32LTV-B68)	12D-10
10-580903-323	Reverse Bayonet Dust Cap for Plug (SCPB32LTV)	12D-10
10-580903-329	Reverse Bayonet Dust Cap for Plug (SCPB32LTV-014)	12D-10
10-580903-362	Reverse Bayonet Dust Cap for Plug (SCPB36LTV-B68)	12D-10
10-580903-363	Reverse Bayonet Dust Cap for Plug (SCPB36LTV)	12D-10
10-580903-369	Reverse Bayonet Dust Cap for Plug (SCPB36LTV-014)	12D-10
10-580903-402	Reverse Bayonet Dust Cap for Plug (SCPB40LTV-B68)	12D-10
10-580903-403	Reverse Bayonet Dust Cap for Plug (SCPB40LTV)	12D-10

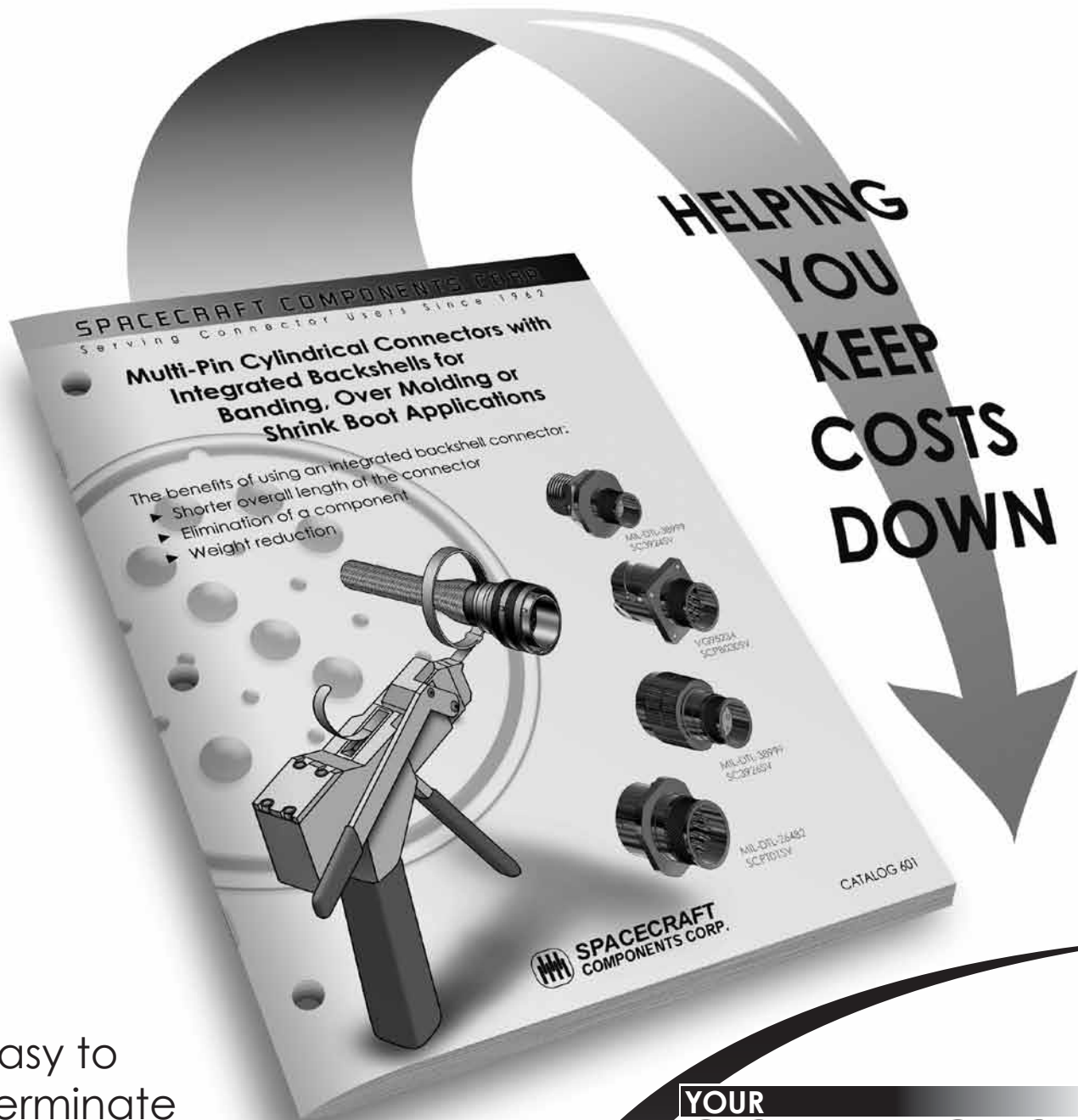
★ Indicates additional alpha-numeric are required to complete part numbers.  
 CS Contact our Sales Department for information on this part.



10-580903-409	Reverse Bayonet Dust Cap for Plug (SCPB40LTV-014) . . . . .	12D-10
214LF002	¼" Band, Flat (SCPSE02F) . . . . .	8D-34
214L0002	¼" Band, Coiled (SCPSE02C) . . . . .	8D-34
248-8501-000	Reverse Bayonet Dummy Receptacle (SCPB05-10SL) . . . . .	12D-10
248-8502-000	Reverse Bayonet Dummy Receptacle (SCPB05-12S) . . . . .	12D-10
248-8503-000	Reverse Bayonet Dummy Receptacle (SCPB05-14S) . . . . .	12D-10
248-8504-000	Reverse Bayonet Dummy Receptacle (SCPB05-16S) . . . . .	12D-10
248-8505-000	Reverse Bayonet Dummy Receptacle (SCPB05-16) . . . . .	12D-10
248-8506-000	Reverse Bayonet Dummy Receptacle (SCPB05-18) . . . . .	12D-10
248-8507-000	Reverse Bayonet Dummy Receptacle (SCPB05-20) . . . . .	12D-10
248-8508-000	Reverse Bayonet Dummy Receptacle (SCPB05-22) . . . . .	12D-10
248-8509-000	Reverse Bayonet Dummy Receptacle (SCPB05-24) . . . . .	12D-10
248-8510-000	Reverse Bayonet Dummy Receptacle (SCPB05-28) . . . . .	12D-10
248-8511-000	Reverse Bayonet Dummy Receptacle (SCPB05-32) . . . . .	12D-10
248-8512-000	Reverse Bayonet Dummy Receptacle (SCPB05-36) . . . . .	12D-10
248-8513-000	Reverse Bayonet Dummy Receptacle (SCPB05FF10SL) . . . . .	12D-10
248-8514-000	Reverse Bayonet Dummy Receptacle (SCPB05FF12S) . . . . .	12D-10
248-8515-000	Reverse Bayonet Dummy Receptacle (SCPB05FF14S) . . . . .	12D-10
248-8516-000	Reverse Bayonet Dummy Receptacle (SCPB05FF16S) . . . . .	12D-10
248-8517-000	Reverse Bayonet Dummy Receptacle (SCPB05FF16) . . . . .	12D-10
248-8518-000	Reverse Bayonet Dummy Receptacle (SCPB05FF18) . . . . .	12D-10
248-8519-000	Reverse Bayonet Dummy Receptacle (SCPB05FF20) . . . . .	12D-10
248-8520-000	Reverse Bayonet Dummy Receptacle (SCPB05FF22) . . . . .	12D-10
248-8521-000	Reverse Bayonet Dummy Receptacle (SCPB05FF24) . . . . .	12D-10
248-8522-000	Reverse Bayonet Dummy Receptacle (SCPB05FF28) . . . . .	12D-10
248-8523-000	Reverse Bayonet Dummy Receptacle (SCPB05FF32) . . . . .	12D-10
248-8524-000	Reverse Bayonet Dummy Receptacle (SCPB05FF36) . . . . .	12D-10
600-083-1	Mini Band, Coiled (SCPBE03C) . . . . .	8D-34
600-083	Mini Band, Flat (SCPBE03F) . . . . .	8D-34
600-057-1	Mini Band, Coiled (SCPBE04C) . . . . .	8D-34
600-057	Mini Band, Flat (SCPBE04F) . . . . .	8D-34
600-052-1	¼" Band, Coiled (SCPBE02C) . . . . .	8D-34
600-052	¼" Band, Flat (SCPBE02F) . . . . .	8D-34
907-10★	Crimp Adapter for Wire Size Larger than Contact . . . . .	18D-4
907-2★	Crimp Adapter for Wire Size Smaller than Contact . . . . .	18D-2
930-★ Series	Gaskets for Square Flange Receptacles . . . . .	13D-2
14089★	Dummy Receptacle (SC14089★) . . . . .	CS
14090★	Dummy Receptacle (SC14090★) . . . . .	CS

★ Indicates additional alpha-numeric are required to complete part numbers.  
**CS** Contact our Sales Department for information on this part.

# INTEGRATED BACKSHELLS



Easy to  
Terminate

Secure Tension  
Locking System

 Made in America  
by American Workers

YOUR  
**CONNECTOR  
CONSULTANT**  
SINCE 1962

 **SPACECRAFT**  
COMPONENTS CORP.

**702.851.7600**





Including additional information on Spacecraft Components, connector education, videos and more.

Get your **FREE** copy by contacting us today!

All of Our  
Catalogs &  
Product Brochures  
on One Disc!



**SPACECRAFT  
COMPONENTS CORP.**

**702-851-7600**

[www.spacecraft.com](http://www.spacecraft.com)



# SPACECRAFT COMPONENTS CORP.

Your Connector Consultant Since 1962

## Try Our Other Connector Products



SCP 5015 STYLE CONNECTORS (CATALOG 102)



SCPT 26482 STYLE SC1 38999 SERIES I SC2 38999 SERIES II SC39 38999 SERIES III (CATALOG 202)



SCPB SERIES (CATALOG 302)



CONNECTOR ACCESSORIES (CATALOG 401)



## Get All of Our Catalogs & Product Brochures on One Disc



CONNECTORS WITH INTEGRATED BACKSHELLS (CATALOG 601)



# SPACECRAFT COMPONENTS CORP.

### Headquarters

3040 Clayton Street  
North Las Vegas, NV 89032

Phone: 702.851.7600  
Fax: 702.851.7620

Email: [salesinfo@spacecraft.com](mailto:salesinfo@spacecraft.com)  
Web: [www.spacecraft.com](http://www.spacecraft.com)

### Florida Office

4577 Nob Hill Road  
Suite 106  
Sunrise, FL 33351  
Tel: 954.748.4540  
Fax: 954.748.4128

### Arizona Office

519 W. Lone Cactus Dr.  
Suite 401  
Phoenix, AZ 85027  
Tel: 623.580.1162  
Fax: 623.580.1165

### Italy Office

Spacecraft Components, sp A  
Milan, Italy  
+39 (335) 719.4512

### Mexico Office

Av. Constituyentes 13-6 Col. Pueblo Nuevo  
Queretaro, Qro 76900  
+52 442 341 69 63

COMING SOON...  
All Plastic Connectors  
CATALOG 701

JUN.2013  
CAT-402

COMPILED AND PRODUCED BY SPACECRAFT COMPONENTS CORP.  
©2013 SPACECRAFT COMPONENTS CORP., NORTH LAS VEGAS, NV 89032