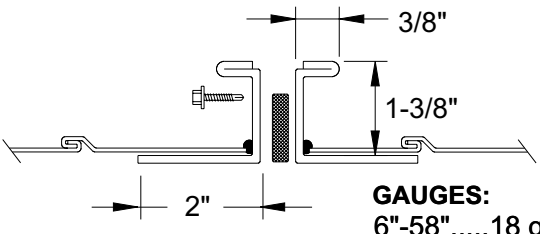




AccuFlange™ Submittal

Round Duct Connector

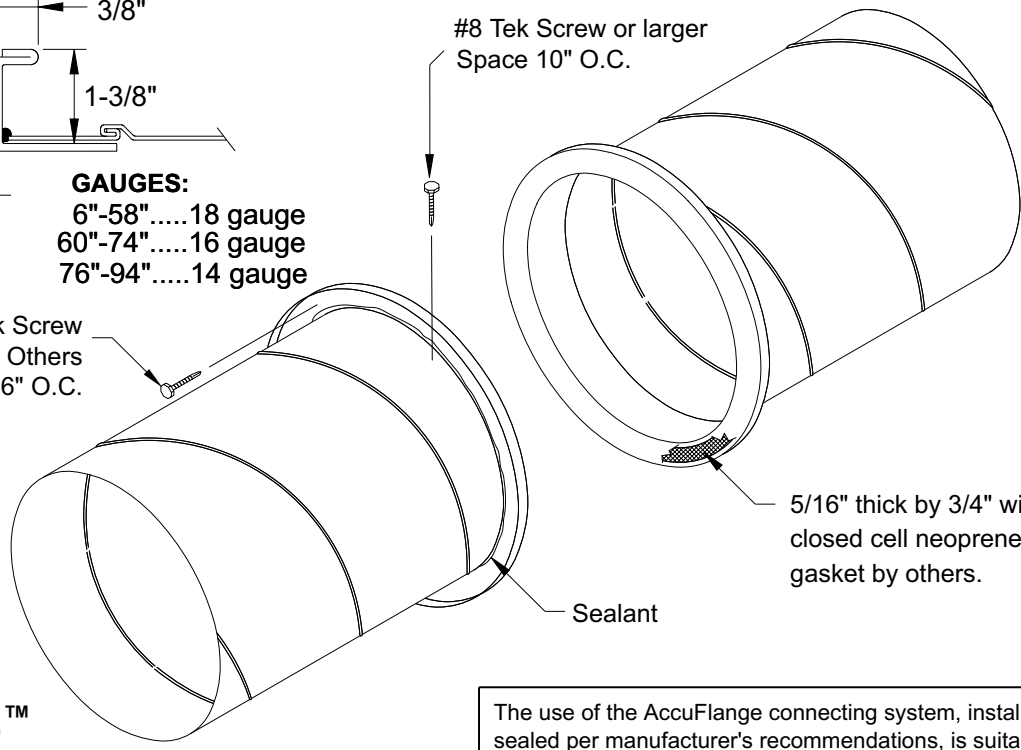
AccuFlange SINGLE WALL



GAUGES:
 6"-58".....18 gauge
 60"-74".....16 gauge
 76"-94".....14 gauge

#10 Tek Screw
 Screws by Others
 Space 6" O.C.

#8 Tek Screw or larger
 Space 10" O.C.



5/16" thick by 3/4" wide
 closed cell neoprene
 gasket by others.

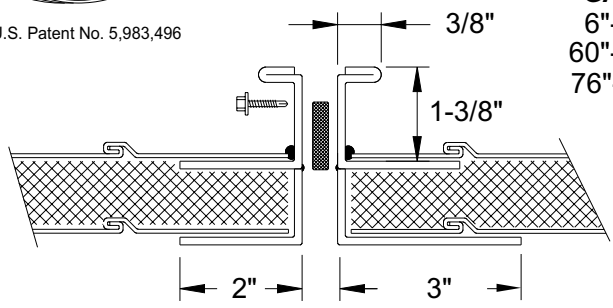
Sealant

The use of the AccuFlange connecting system, installed and sealed per manufacturer's recommendations, is suitable for use on all systems across a range of internal duct pressures from 10" S.P.W.G. positive to 10" S.P.W.G. negative.



U.S. Patent No. 5,983,496

AccuFlange DOUBLE WALL



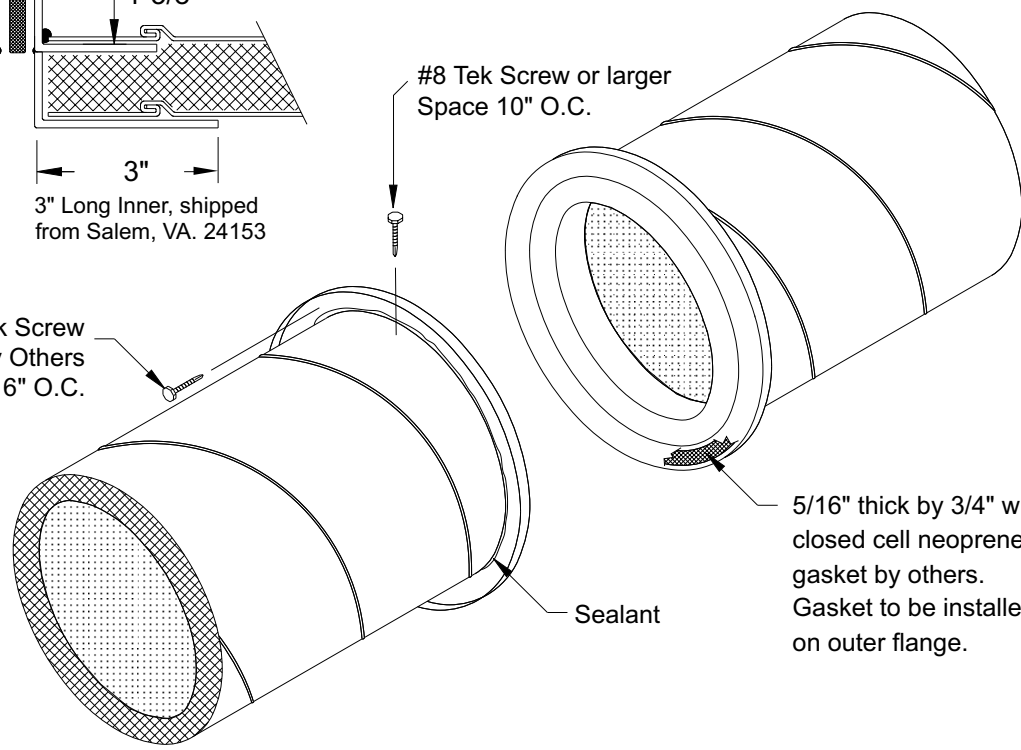
GAUGES:
 6"-58".....18 gauge
 60"-74".....16 gauge
 76"-94".....14 gauge

2" Long Inner, shipped
 from Algona, WA. 98001

3" Long Inner, shipped
 from Salem, VA. 24153

#10 Tek Screw
 Screws by Others
 Space 6" O.C.

#8 Tek Screw or larger
 Space 10" O.C.



5/16" thick by 3/4" wide
 closed cell neoprene
 gasket by others.
 Gasket to be installed
 on outer flange.

Sealant