

BRAND:  
STYLE:  
PATTERN #      TBD

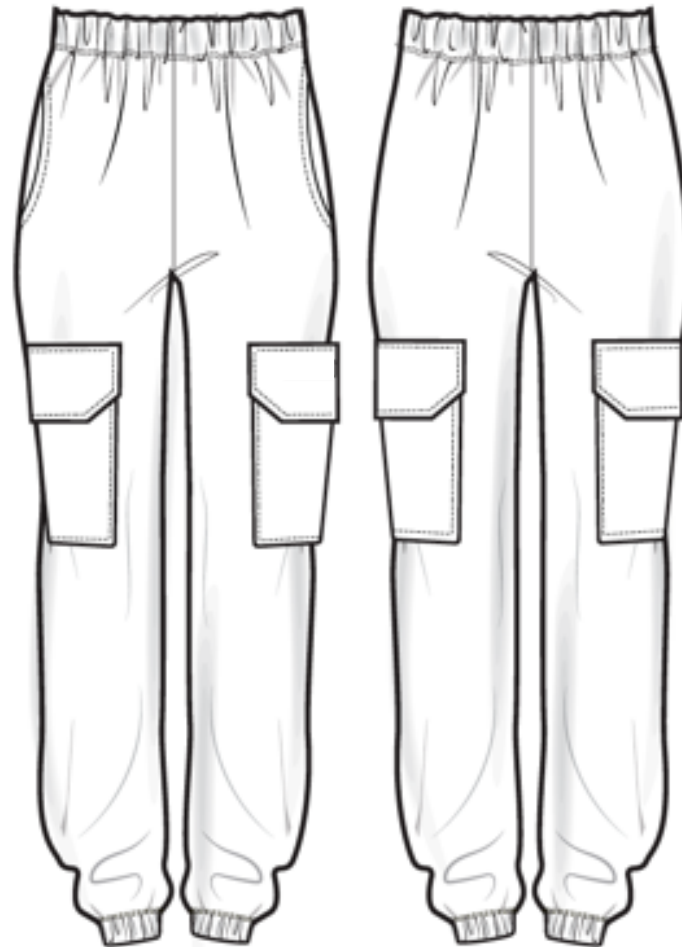
COLLECTION:  
DESCRIPTION:

FACTORY:  
PAGE: COVER  
EX-FACTORY TBD

CREATED DATE:

BY:

BREANDA MASSEY



**DESIGN**

BRAND:		COLLECTION: 0		FACTORY: 0					
STYLE:		DESCRIPTION: 0		PAGE: DETAIL					
PATTERN # TBD		PO: 0		EX-FACTORY TBD					
CUSTOMER		TESTING REQUIRE		STANDARD					
SIZE RANGE	XS, S, M, L, XL	SAMPLE SIZE:	S	COUNTRY OF ORIGIN	CHINA				
				PACKING GUIDE					
<b>GARMENT FABRICATION</b>									
VENDOR / COO	REF#	DESCRIPTION / CONTENT	FABRIC FINISH	FUNCTION FINISH	WIDTH	WEIGHT	YARN SIZE	MARKER DIRECTION	PLACEMENT
FACTORY		SOURCE QUALITY AS PER REFERENCE SAMPLE							BODY/ WAISTBAND
<b>GARMENT TRIMS</b>									
VENDOR / COO	REF #	DESCRIPTION / CONTENT	COLOR	WIDTH	WEIGHT	QUANTITY	MARKER DIRECTION	PLACEMENT	
		SEW ON LABEL	TBD					WEARER'S LEFT CARGO POCKET FLAP	
<b>SEWING THREAD (SPECIALITY)</b>									
VENDOR COO	REF#	TYPE		COLORWAY		USAGE		COMMENT	
		100% NYLON		DTM		BODY			
VENDOR / COO	REF#	BRAND / DESCRIPTION			TYPE	COLOR	QUANTITY	COMMENT	
FACTORY									
<b>HANG TAGS &amp; STICKERS</b>									
VENDOR / COO	REF#	BRAND / DESCRIPTION			TYPE	QUANTITY	COMMENT		
<b>PACKAGING</b>									
VENDOR / COO	REF#	BRAND / DESCRIPTION			TYPE	QUANTITY	COMMENT		

BRAND:  
STYLE:  
PATTERN : TBD

COLLECTION:  
DESCRIPTION:  
PO# 0

FACTORY: 0  
PAGE: CONSTRUCTION  
EX-FACTORY TBD

INSPIRATION IMAGE

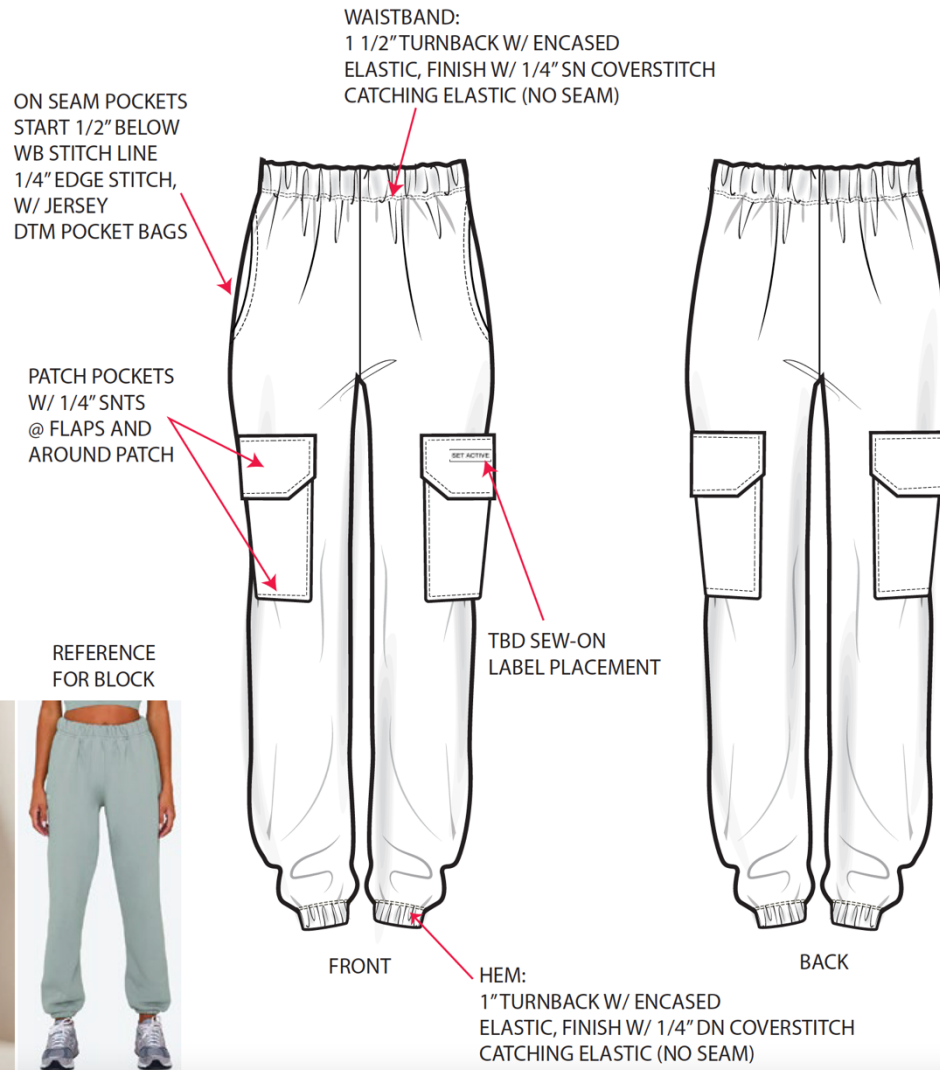


REFERENCE  
FOR BLOCK

**BRAND:**  
**STYLE:**  
**PATTERN #: TBD**

**COLLECTION: 0**  
**DESCRIPTION: 0**  
**PO# 0**

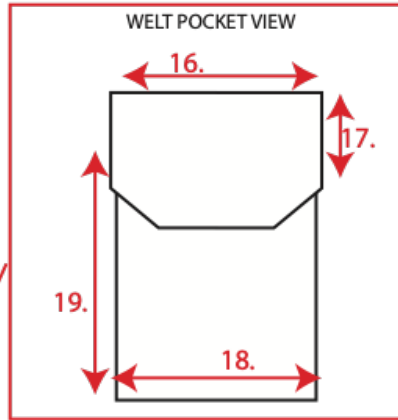
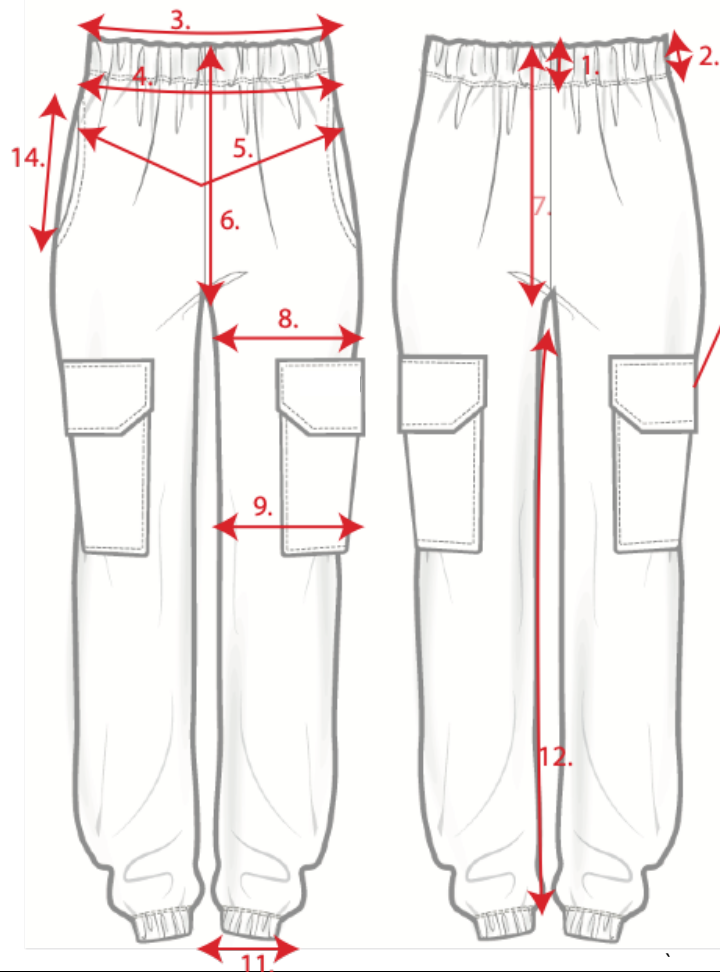
**FACTORY: 0**  
**PAGE: CONSTRUCTION**  
**EX-FACTORY TBD**



CONSTRUCTION

BRAND		Season:	
STYLE		Self Fabric:	
Size range:	XS,S,M,L,XL	Content:	
Description:			

## LOUNGE CARGO PANT



1	WB HEIGHT AT CENTER
2	WB HEIGHT AT SIDE SEAM
3	WAIST @ TOP EDGE
4	WAIST @ SEAM
5	HIP 4" BELOW WB SEAM - 3 POINT MEASURE
6	FRT RISE TO WB SEAM
7	BK RISE TO WB SEAM
8	THIGH - 1" BELOW CROTCH
9	KNEE 12" BELOW CROTCH
11	LEG OPENING
12	INSEAM
<b>DETAILS</b>	
13	SIDE POCKET PLACEMENT FROM W.B STITCH
14	SIDE POCKET
15	CARGO POCKET PLACEMENT FROM W.B STICH
16	CARGO POCKET FLAP WIDTH
17	CARGO POCKET FLAP LENGTH
18	CARGO POCKET WIDTH
19	CARGO POCKET LENGTH
20	WASITBAND ELASTIC WIDTH
21	ANKLE ELASTIC WIDTH

<b>BRAND</b>										<b>INITIAL SPECS</b>										
<b>STYLE</b>																				
Size range: XS, S, M, L, XL																				
Description: 0																				
<b>Date</b>																				
<b>Point of measure</b>										<b>TOL +/-</b>	<b>S</b>	<b>DELTA</b>								<b>COMMENTS</b>
1	WB HEIGHT AT CENTER										2									
2	WB HEIGHT AT SIDE SEAM										2									
3	WAIST @ TOP EDGE										13 1/2									
4	WAIST @ SEAM										14									
5	HIP 4" BELOW WB SEAM - 3 POINT MEASURE										19									
6	FRT RISE TO WB SEAM										12 1/2									
7	BK RISE TO WB SEAM										15									
8	THIGH - 1" BELOW CROTCH										12 1/4									
9	KNEE 12" BELOW CROTCH										9 1/2									
11	LEG OPENING										5 1/4									
12	INSEAM										29									
<b>DETAILS</b>																				
13	SIDE POCKET PLACEMENT FROM W.B STITCH										1/2									
14	SIDE POCKET										5									
15	CARGO POCKET PLACEMENT FROM W.B STICH										12 1/2									
16	CARGO POCKET FLAP WIDTH										8 3/8									
17	CARGO POCKET FLAP LENGTH										2									
18	CARGO POCKET WIDTH										8									
19	CARGO POCKET LENGTH										8									
20	WASITBAND ELASTIC WIDTH										1 1/2									
21	ANKLE ELASTIC WIDTH										3/4									
DATE: 4/11/22										STATUS: FOLLOW SPECS AND SEND 1ST PROTO FOR APPROVAL										
FIT COMMENTS:																				