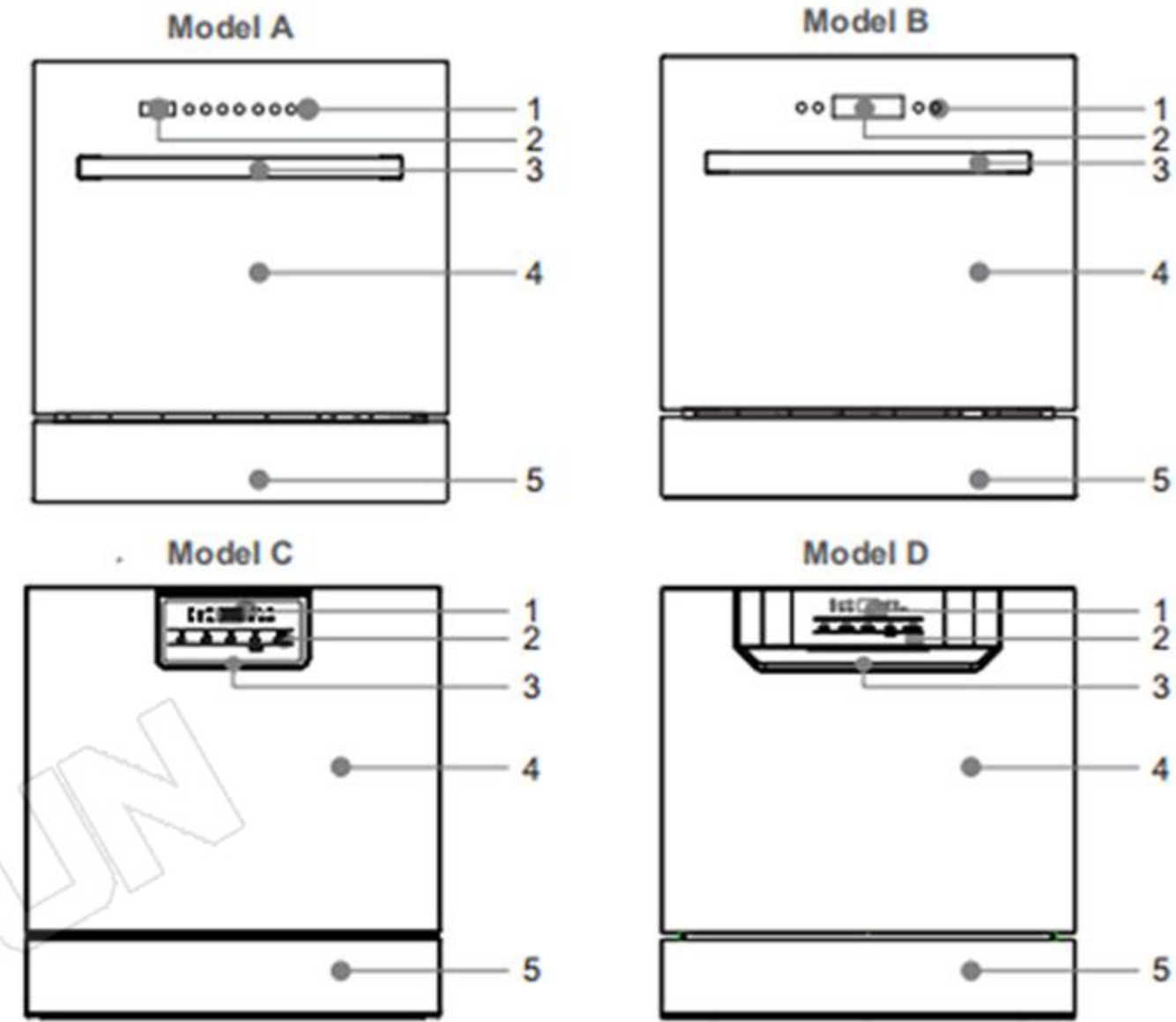


BUY IT AT LESSER PRICES

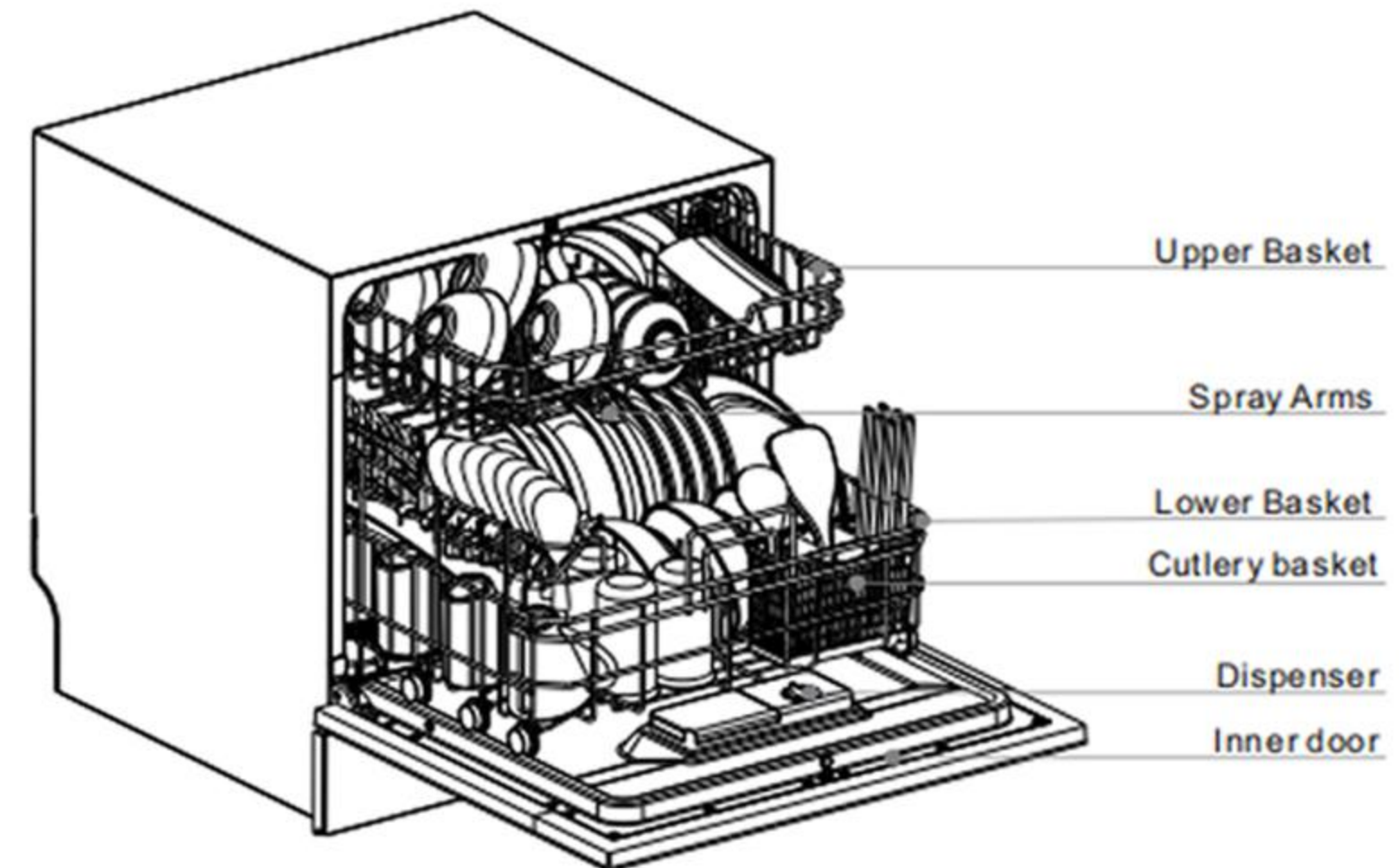
VISION
DISTRIBUTION

Dishwasher Series

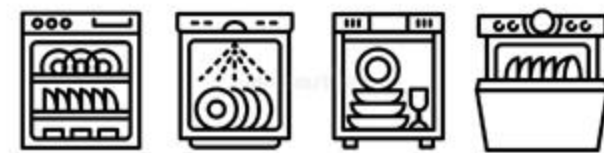
Parts and Features



1. Digital display 2. Button 3. Handle 4. Outer door 5. Lower panel



W8B-01GB



• **Feature**

- Electronic control with LED display
- Two layer basket
- Child lock
- Temperature sensor
- Overflow protect
- Optional: fan drying

• **Accessories**

- Regulable upper basket with folding supports
- Lower basket with folding supports
- Slider detergent dispenser

• **Options**

- Inlet water pressure: 0.04~1.00Mpa
- Rated power: 1470w
- Installation : built-in
- 49 dB(A) noise level
- 2rd layer cutlery basket

• **Specifications**

- 8 place settings
- 5programs: Intensive/Normal/Eco/Rapid/Hygiene
- Memory power off 1-24 hours delay start
- Energy class E drying and cleaning A
- Drying system : Residual/ Hot air drying



• **Dimension**

- Built-in type Production size:
- W×H×D (mm) : 595×620×525
- Cut-out size: W×H×D (mm) : 555×605×550
- Loading Qty: 20GP/ 40GP/40 HQ: 81/162/162

W8B-03GB



• **Feature**

- Electronic control with LED display
- Two layer basket
- Child lock
- Temperature sensor
- Overflow protect
- Optional: fan drying

• **Accessories**

- Regulable upper basket with folding supports
- Lower basket with folding supports
- Slider detergent dispenser

• **Options**

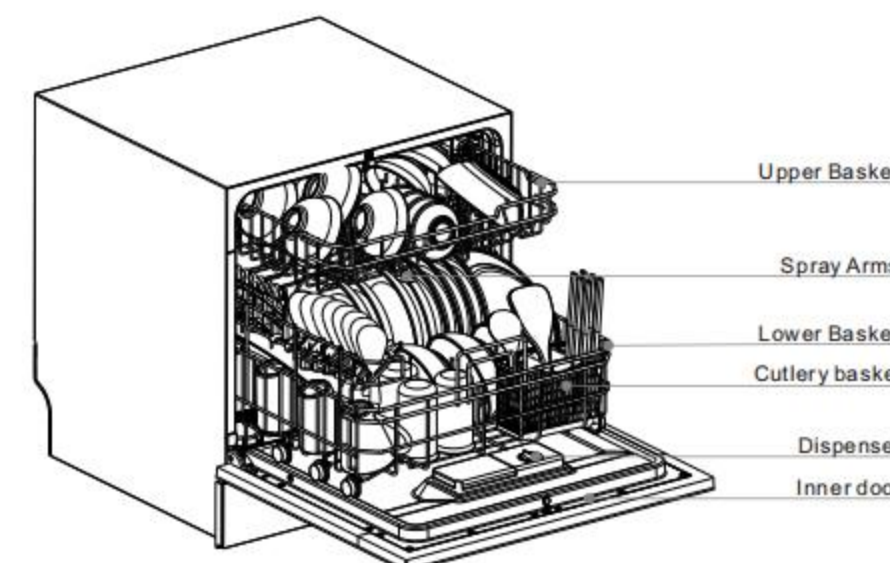
- Inlet water pressure: 0.04~1.00Mpa
- Rated power: 1470w
- Installation : built-in
- 49 dB(A) noise level
- 2rd layer cutlery basket

• **Specifications**

- 8 place settings
- 5programs: Intensive/Normal/Eco/Rapid/Hygiene
- Memory power off 1-24 hours delay start
- Energy class E drying and cleaning A
- Drying system : Residual/ Hot air drying

• **Dimension**

- Built-in type Production size:
- W×H×D (mm) : 595×620×525
- Cut-out size: W×H×D (mm) : 555×605×550
- Loading Qty: 20GP/ 40GP/40 HQ: 81/162/162



Upper Basket
Spray Arms
Lower Basket
Cutlery basket
Dispenser
Inner door

W8B-02GB (Black style)



• Feature

- Electronic control with LED display
- Two layer basket
- Child lock
- Temperature sensor
- Overflow protect
- Optional: fan drying

• Accessories

- Regulable upper basket with folding supports
- Lower basket with folding supports
- Slider detergent dispenser

• Options

- Inlet water pressure: 0.04~1.00Mpa
- Rated power: 1470w
- Installation : built-in
- 49 dB(A) noise level
- 2rd layer cutlery basket

• Specifications

- 8 place settings
- 5programs: Intensive/Normal/Eco/Rapid/Hygiene
- Memory power off 1-24 hours delay start
- Energy class E drying and cleaning A
- Drying system : Residual/ Hot air drying

• Dimension

- Built-in type Production size: W×H×D (mm) : 595×620×525
- Cut-out size: W×H×D (mm) : 555×605×550
- Loading Qty: 20GP/ 40GP/40 HQ: 81/162/162



W8B-02GB (White style)



• Feature

- Electronic control with LED display
- Two layer basket
- Child lock
- Temperature sensor
- Overflow protect
- Optional: fan drying

• Accessories

- Regulable upper basket with folding supports
- Lower basket with folding supports
- Slider detergent dispenser

• Options

- Inlet water pressure: 0.04~1.00Mpa
- Rated power: 1470w
- Installation : built-in
- 49 dB(A) noise level
- 2rd layer cutlery basket

• Specifications

- 8 place settings
- 5programs: Intensive/Normal/Eco/Rapid/Hygiene
- Memory power off 1-24 hours delay start
- Energy class E drying and cleaning A
- Drying system : Residual/ Hot air drying

• Dimension

- Built-in type Production size: W×H×D (mm) : 595×620×525
- Cut-out size: W×H×D (mm) : 555×605×550
- Loading Qty: 20GP/ 40GP/40 HQ: 81/162/162



W8B-03GB (Stainless steel style)



• Feature

- Electronic control with LED display
- Two layer basket
- Child lock
- Temperature sensor
- Overflow protect
- Optional: fan drying

• Specifications

- 8 place settings
- 5 programs: Intensive/Normal/Eco/Rapid/Hygiene
- Memory power off 1-24 hours delay start
- Energy class E drying and cleaning A
- Drying system : Residual/ Hot air drying

• Accessories

- Regulable upper basket with folding supports
- Lower basket with folding supports
- Slider detergent dispenser

• Options

- Inlet water pressure: 0.04~1.00Mpa
- Rated power: 1470w
- Installation : built-in
- 49 dB(A) noise level
- 2rd layer cutlery basket

• Dimension

- Built-in type Production size: W×H×D (mm) : 595×620×525
- Cut-out size: W×H×D (mm) : 555×605×550
- Loading Qty: 20GP/ 40GP/40 HQ: 81/162/162



W8B-03GB (SS black style)



• Feature

- Electronic control with LED display
- Two layer basket
- Child lock
- Temperature sensor
- Overflow protect
- Optional: fan drying

• Specifications

- 8 place settings
- 5 programs: Intensive/Normal/Eco/Rapid/Hygiene
- Memory power off 1-24 hours delay start
- Energy class E drying and cleaning A
- Drying system : Residual/ Hot air drying

• Accessories

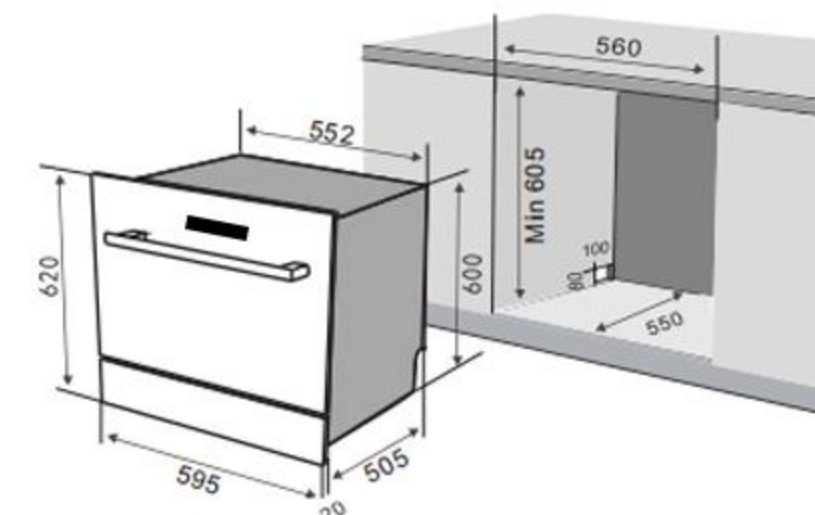
- Regulable upper basket with folding supports
- Lower basket with folding supports
- Slider detergent dispenser

• Options

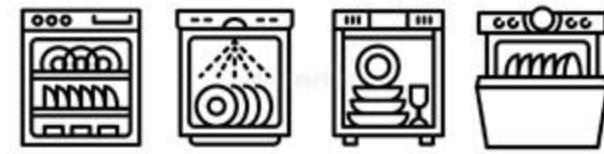
- Inlet water pressure: 0.04~1.00Mpa
- Rated power: 1470w
- Installation : built-in
- 49 dB(A) noise level
- 2rd layer cutlery basket

• Dimension

- Built-in type Production size: W×H×D (mm) : 595×620×525
- Cut-out size: W×H×D (mm) : 555×605×550
- Loading Qty: 20GP/ 40GP/40 HQ: 81/162/162



W8B-04GB



• Feature

- Electronic control with LED display
- Two layer basket
- Child lock
- Temperature sensor
- Overflow protect
- Optional: fan drying

• Accessories

- Regulable upper basket with folding supports
- Lower basket with folding supports
- Slider detergent dispenser

• Options

- Inlet water pressure: 0.04~1.00Mpa
- Rated power: 1470w
- Installation : built-in
- 49 dB(A) noise level
- 2rd layer cutlery basket

• Specifications

- 8 place settings
- 5programs: Intensive/Normal/Eco/Rapid/Hygiene
- Memory power off 1-24 hours delay start
- Energy class E drying and cleaning A
- Drying system : Residual/ Hot air drying

• Dimension

- Built-in type Production size: W×H×D (mm) : 595×620×525
- Cut-out size: W×H×D (mm) : 555×605×550
- Loading Qty: 20GP/ 40GP/40 HQ: 81/162/162

Loading the Dishwasher Baskets

Upper Basket loading show



W8T-02GB (Freestanding style)



• Feature

- Electronic control with LED display
- Two layer basket
- Child lock
- Temperature sensor
- Overflow protect
- Optional: fan drying

• Accessories

- Regulable upper basket with folding supports
- Lower basket with folding supports
- Slider detergent dispenser

• Options

- Inlet water pressure: 0.04~1.00Mpa
- Rated power: 1470w
- Installation : built-in
- 49 dB(A) noise level
- 2rd layer cutlery basket

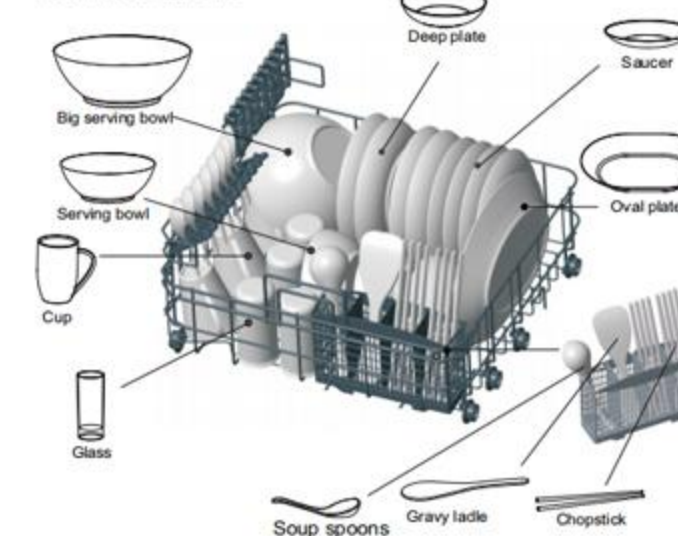
• Specifications

- 8 place settings
- 5programs: Intensive/Normal/Eco/Rapid/Hygiene
- Memory power off 1-24 hours delay start
- Energy class E drying and cleaning A
- Drying system : Residual/ Hot air drying

• Dimension

- Built-in type Production size: W×H×D (mm) : 550×595×525
- Loading Qty: 20GP/ 40GP/40 HQ: 81/162/162

Lower Basket loading show



W8B-05GB



• Feature

- Electronic control with LED display
- Two layer basket
- Child lock
- Temperature sensor
- Overflow protect
- Optional: fan drying

• Specifications

- 8 place settings
- 5 programs: Intensive/Normal/Eco/Rapid/Hygiene
- Memory power off 1-24 hours delay start
- Energy class E drying and cleaning A
- Drying system : Residual/ Hot air drying

• Accessories

- Regulable upper basket with folding supports
- Lower basket with folding supports
- Slider detergent dispenser

• Options

- Inlet water pressure: 0.04~1.00Mpa
- Rated power: 1470w
- Installation : built-in
- 49 dB(A) noise level
- 2rd layer cutlery basket

• Dimension

- Built-in type Production size:
- W×H×D (mm) : 595×620×525
- Cut-out size: W×H×D (mm) : 555×605×550
- Loading Qty: 20GP/ 40GP/40 HQ: 81/162/162



Loading the Dishwasher Baskets

Upper Basket loading show



Lower Basket loading show

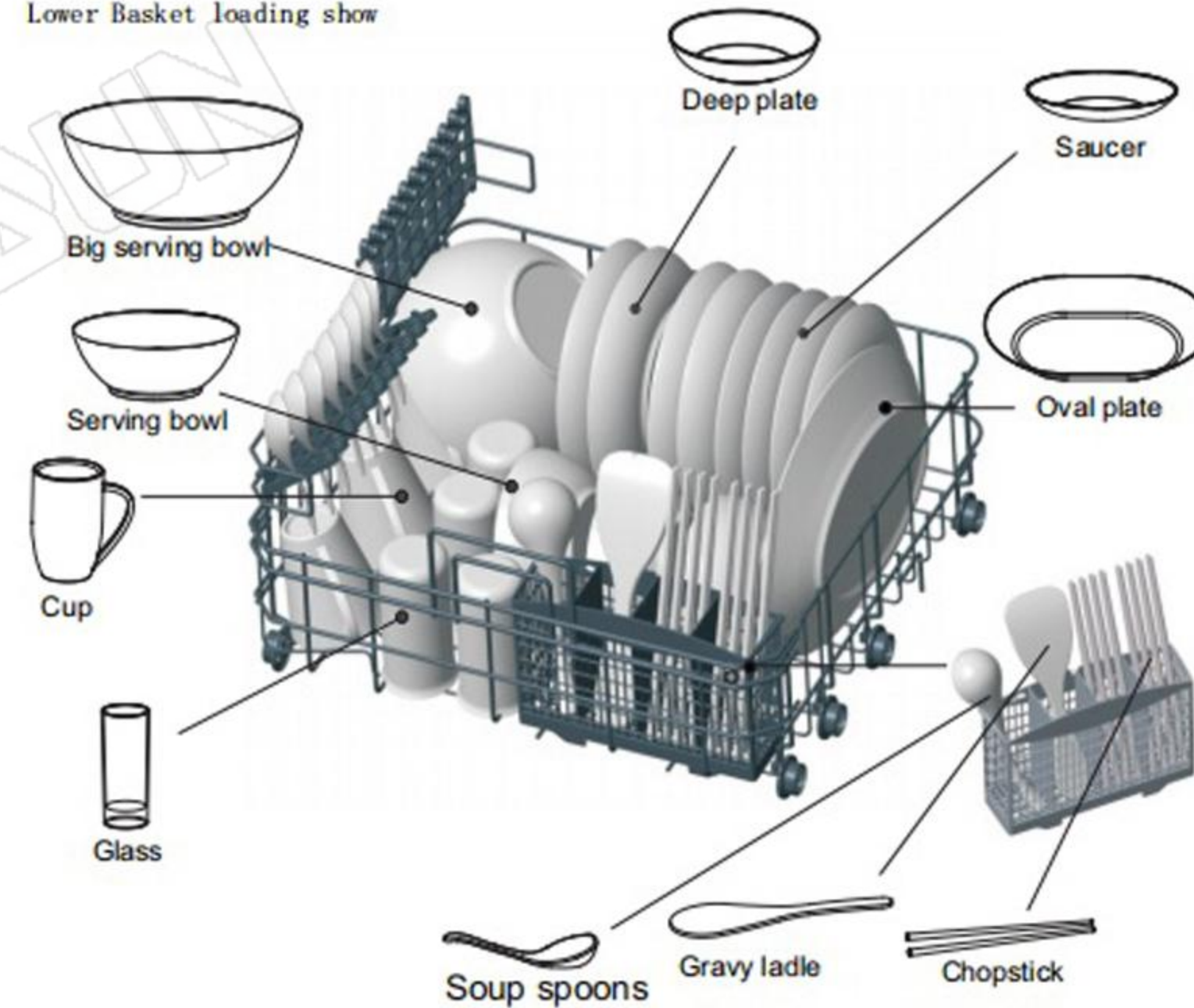


Table-top dishwasher series

Four sets of exquisite capacity,
suitable for small families



straight line
Kitchen



L-shaped
Kitchen



W4T-01 (Mini style)



• Feature

- Table-top
- Electronic control with
- Child lock
- Temperature sensor
- Overflow protect

• Specifications

- 4 place settings
- Programs: Intensive/Normal/Eco/Rapid/Hygiene
- Drying system :Residual
- Control: digital display + touch control

• Accessories

- Bowl basket

• Options

- 7 cleaning functions:Strong washing,Baby care
- Energy saving Dairy washing,Super fast wash,
- Fruits washing ,Vegetables washing
- 49dB(A)noise level

Option: fruits / meat (O3 clean)

Inlet water pressure: 0.04~1.00Mpa

Rated power: 980w

• Dimension

Production size (mm) : 430*430*420

carton size (mm) : 510*490*520

Loading Qty:20GP/ 40GP/40 HQ: 192/384/480



W4T-02(Mini style)



• Feature

- Table-top
- Electronic control with
- Child lock
- Temperature sensor
- Overflow protect

• Specifications

- 4 place settings
- Programs: Intensive/Normal/Eco/Rapid/Hygiene
- Drying system :Residual
- Control: digital display + touch control

• Accessories

- Bowl basket

• Options

- 7 cleaning functions:Strong washing,Baby care
- Energy saving Dairy washing,Super fast wash,
- Fruits washing ,Vegetables washing
- 49dB(A)noise level

Option: fruits / meat (O3 clean)

Inlet water pressure: 0.04~1.00Mpa

Rated power: 980w

• Dimension

Production size (mm) : 430*430*420

carton size (mm) : 510*490*520

Loading Qty:20GP/ 40GP/40 HQ: 192/384/480



W4T-03(Mini Style)



• **Feature**

- Table-top
- Electronic control with
- Child lock
- Temperature sensor
- Overflow protect

• **Specifications**

- 4 place settings
- Programs: Intensive/Normal/Eco/Rapid/Hygiene
- Drying system :Residual
- Control: digital display + touch control

• **Accessories**

- Bowl basket

• **Options**

- 7 cleaning functions:Strong washing,Baby care
- Energy saving Dairy washing,Super fast wash,
- Fruits washing ,Vegetables washing
- 49dB(A)noise level

Option: fruits / meat (O3 clean)

Inlet water pressure: 0.04~1.00Mpa

Rated power: 980w

• **Dimension**

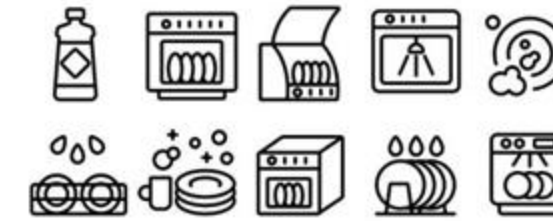
Production size (mm) : 430*430*420

carton size (mm) : 510*490*520

Loading Qty:20GP/ 40GP/40 HQ: 192/384/480



W4T-02(Mini style)



• **Feature**

- Table-top
- Electronic control with
- Child lock
- Temperature sensor
- Overflow protect

• **Specifications**

- 4 place settings
- Programs: Intensive/Normal/Eco/Rapid/Hygiene
- Drying system :Residual
- Control: digital display + touch control

• **Accessories**

- Bowl basket

• **Options**

- 7 cleaning functions:Strong washing,Baby care
- Energy saving Dairy washing,Super fast wash,
- Fruits washing ,Vegetables washing
- 49dB(A)noise level

Option: fruits / meat (O3 clean)

Inlet water pressure: 0.04~1.00Mpa

Rated power: 980w

• **Dimension**

Production size (mm) : 430*430*420

carton size (mm) : 510*490*520

Loading Qty:20GP/ 40GP/40 HQ: 192/384/480



Sink Dishwasher Series



1 Machine = 4 Functions



Dishwasher

+



Sink

+



Fruit and
Vegetable Purifier

+



Disinfection
Cabinet

8648-A2



• **Feature**

- Black Sink dishwasher
- Child lock
- 304 stainless steel
- Touch button + voice broadcast
- heating plate heating
- Residual temperature automatic drying
- Spray cleaning + ultrasonic cleaning

• **Specifications**

- Volume: 20-24 utensils
- Temperature: Gentle wash 60°C/
Standard wash 65°C/Intensive wash 70°C
- Control panel: ultrasonic key/cavity cleaning key/
intensity selection/water level selection/
washing fruit and vegetable key/dishwashing key/
start pause key/on/off key
- Washing program: gentle wash/standard wash
/intensive wash (spray wash)

• **Accessories**

- Multifunctional Dish Rack
- fruit and vegetable basket
- Inlet wire hose
- three-way connector
- Drainer set

• **Options**

- Power supply: 220V-50Hz
- Ultrasonic frequency: 40kHz
- Rated power: 2000w
- Water pressure: 0.02MPa-1MPa

• **Dimension**

- Net weight: 26.0kg
- Product size: L860*W480mm
- Hole size: L830*W450mm



8850-A2



• **Feature**

- Black Sink dishwasher
- Child lock
- 304 stainless steel
- Touch button + voice broadcast
- heating plate heating
- Residual temperature automatic drying
- Spray cleaning + ultrasonic cleaning

• **Specifications**

- Volume: 20-24 utensils
- Temperature: Gentle wash 60°C/
Standard wash 65°C/Intensive wash 70°C
- Control panel: ultrasonic key/cavity cleaning key/
intensity selection/water level selection/
washing fruit and vegetable key/dishwashing key/
start pause key/on/off key
- Washing program: gentle wash/standard wash
/intensive wash (spray wash)

• **Accessories**

- Multifunctional Dish Rack
- fruit and vegetable basket
- Inlet wire hose
- three-way connector
- Drainer set

• **Options**

- Power supply: 220V-50Hz
- Ultrasonic frequency: 40kHz
- Rated power: 2000w
- Water pressure: 0.02MPa-1MPa

• **Dimension**

- Net weight: 26.0kg
- Product size: L860*W480mm
- Hole size: L830*W450mm



11650-A2



• **Feature**

- Black Sink dishwasher
- Child lock
- 304 stainless steel
- Touch button + voice broadcast
- heating plate heating
- Residual temperature automatic drying
- Spray cleaning + ultrasonic cleaning

• **Specifications**

- Volume: 20-24 utensils
- Temperature: Gentle wash 60°C/
Standard wash 65°C/Intensive wash 70°C
- Control panel: ultrasonic key/cavity cleaning key/
intensity selection/water level selection/
washing fruit and vegetable key/dishwashing key/
start pause key/on/off key
- Washing program: gentle wash/standard wash
/intensive wash (spray wash)

• **Accessories**

- Multifunctional Dish Rack
- fruit and vegetable basket
- Inlet wire hose
- three-way connector
- Drainer set

• **Options**

- Power supply: 220V-50Hz
- Ultrasonic frequency: 40kHz
- Rated power: 2000w
- Water pressure: 0.02MPa-1MPa

• **Dimension**

- Net weight: 32.0kg
- Product size: L1160*W500mm
- Hole size: L1130*W470mm



11148-A2



• **Feature**

- Black Sink dishwasher
- Child lock
- 304 stainless steel
- Touch button + voice broadcast
- heating plate heating
- Residual temperature automatic drying
- Spray cleaning + ultrasonic cleaning

• **Specifications**

- Volume: 20-24 utensils
- Temperature: Gentle wash 60°C/
Standard wash 65°C/Intensive wash 70°C
- Control panel: ultrasonic key/cavity cleaning key/
intensity selection/water level selection/
washing fruit and vegetable key/dishwashing key/
start pause key/on/off key
- Washing program: gentle wash/standard wash
/intensive wash (spray wash)

• **Accessories**

- Multifunctional Dish Rack
- fruit and vegetable basket
- Inlet wire hose
- three-way connector
- Drainer set

• **Options**

- Power supply: 220V-50Hz
- Ultrasonic frequency: 40kHz
- Rated power: 2000w
- Water pressure: 0.02MPa-1MPa

• **Dimension**

- Net weight: 32.0kg
- Product size: L1160*W480mm
- Hole size: L1085*W450mm

