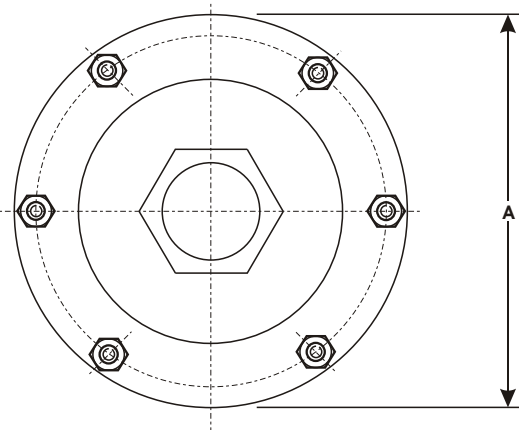
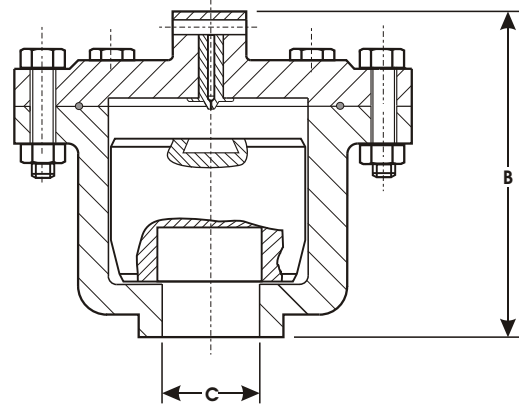
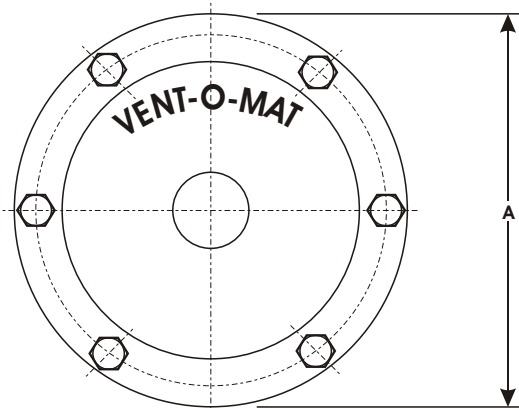


GENERAL SPECIFICATIONS SCREWED - DN25 (1")



Type:
Single Small Orifice Air Release Valve

End Connection:
Screwed Female 1" BSP

Nominal Size:
DN 25 (1")

Model No's: RC 1610 **Pressure Rating - bar:** PN 16

Operating Pressure Range - bar:
PN16 Min 0.5 Max. 16

Operating Temperature Range:
4°C to 80°C

Acceptable Media:
Potable or strained raw water.

Function:
i) Pressurized air discharge - Pipeline operating.

Standard Factory Tests:
i) Hydrostatic - 1.5 x max. rated working pressure
ii) Low head leak - 0.5 bar
iii) Small orifice function at max. rated working pressure (minimum 1 valve in 10).

OVERALL DIMENSIONS & WEIGHTS

DN mm	MODEL No.	PRESSURE RATING	A mm	B mm	C mm	WEIGHT kg.
25	025 RC 1610	PN16	120	106	25	3

SERIES RC - MODEL 025RC1610**SINGLE SMALL ORIFICE AIR RELEASE VALVE**

(For the release of air in small volumes only, not suitable for vacuum service).

SIZE:

DN 25 (1")

PRESSURE RATING:

PN 16 (232 psi), ANSI # 125

OPERATING PRESSURE RANGE:

0,5 - 16 bar (7,2 - 232 psi)

END CONNECTION:

Screwed Female 1" BSP/NPT

TEMPERATURE RANGE:

Water 4 - 80°C (40 - 180°F)

WEIGHT:

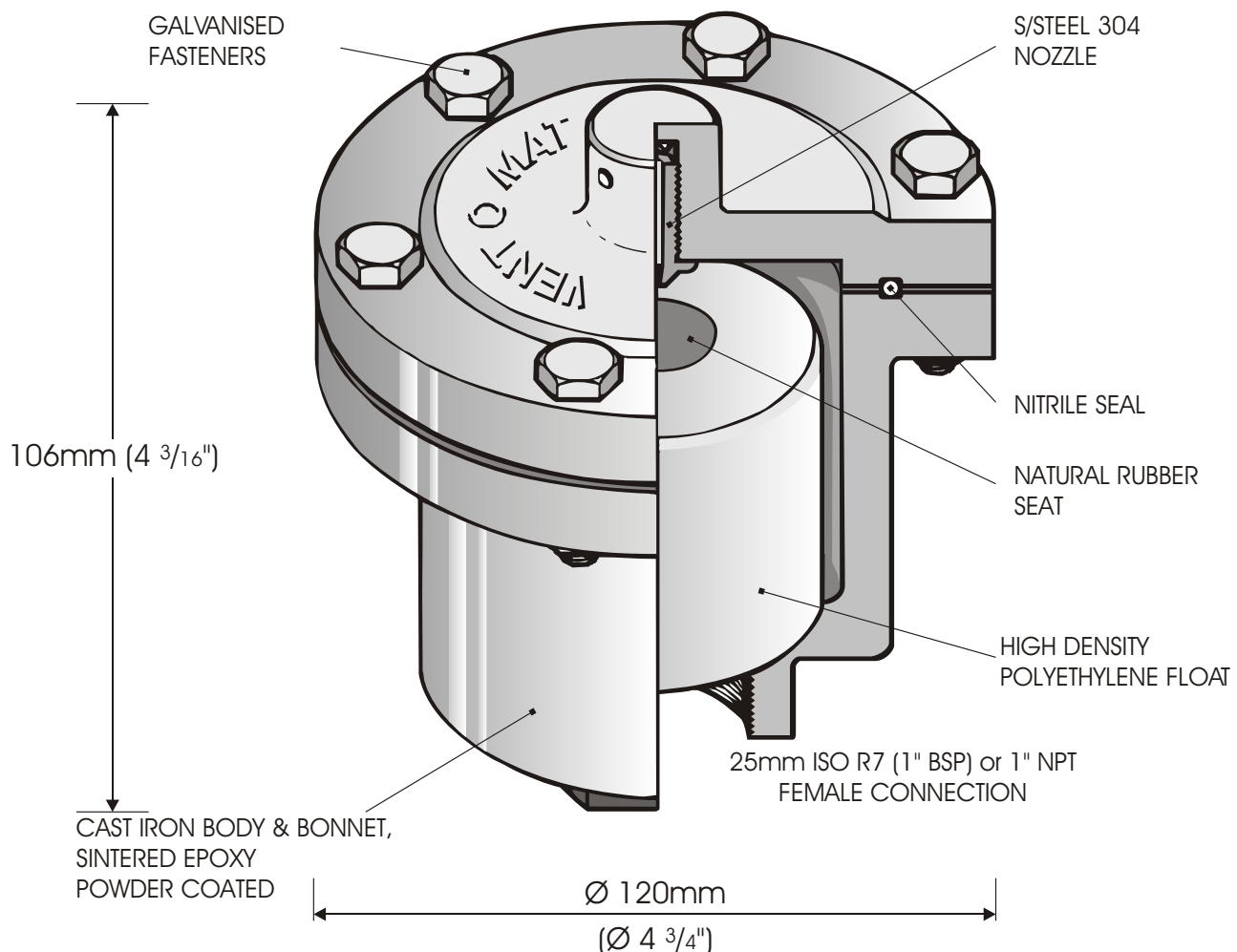
3kg. (6,6 lb)

TEST PRESSURE:

1.5 x Maximum Working Pressure

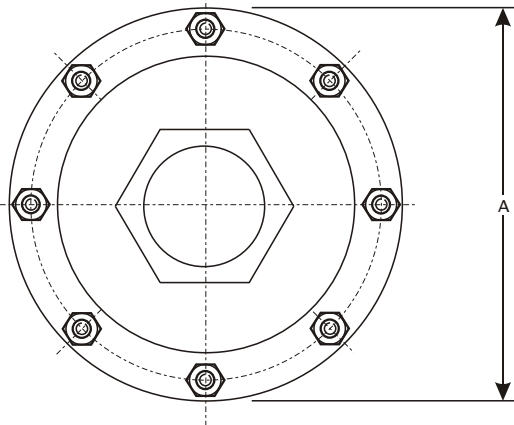
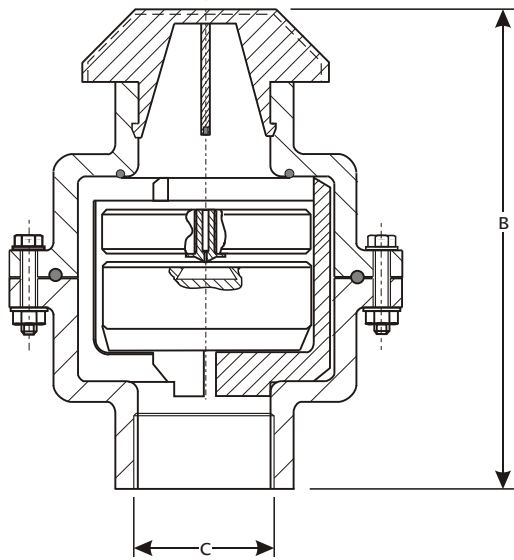
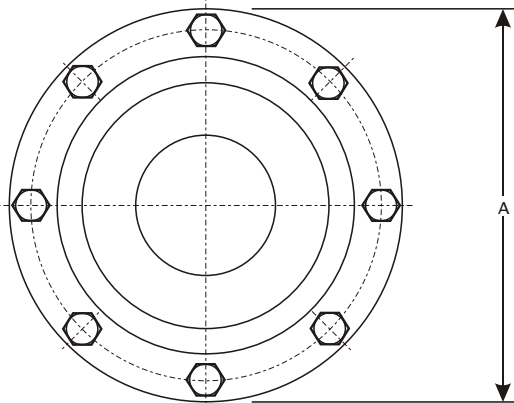
FUNCTION:

Pressurized air discharge - Pipeline Operating



information subject to change without prior notice

GENERAL SPECIFICATIONS SCREWED - DN50 (2")



Type:

Double Orifice Air Release & Vacuum Break Valve

End Connection:

Screwed Female 2" BSP/NPT

Nominal Size:

DN 50 (2")

Model No's:

RC 2511 & 2521

Pressure Ratings bar (psi):

PN 25 (363 psi) ANSI #250

Operating Pressure Range - bar (psi):

	Min	Max.
PN25 (363 psi) ANSI #250	0.5 (7.2)	25 (363)

Operating Temperature Range:

4 C (40 F) to 80 C (180 F)

Acceptable Media:

Potable or strained raw water.

Function:

- i) Pressurized air discharge - Pipeline operating.
- ii) High volume air discharge - Pipeline Filling.
- iii) High volume air intake - Pipeline Draining.

Standard Factory Tests:

- i) Hydrostatic - 1.5 x max. rated working pressure
- ii) Low head leak - 0.5 bar (7.2 psi)
- iii) Small orifice function at max. rated working pressure
(minimum 1 valve in 10).

OVERALL DIMENSIONS & WEIGHTS

DN		MODEL No.	PRESSURE RATING	A		B		C		WEIGHT	
mm	in			mm	in	mm	in	mm	in	kg.	lbs
50	2	050 RC 2511 & 2521	PN25 (363 psi) ANSI #250	171	6 ³ / ₄	222	8 ³ / ₄	50	2	8	17.6

SERIES RC - MODELS 050 RC 2511 & 2521

DOUBLE ORIFICE AIR RELEASE & VACUUM BREAK VALVE

SIZE:

DN 50 (2")

PRESSURE RATING:

PN 25 (363 psi), ANSI # 250

OPERATING PRESSURE RANGE:

0,5 - 25 bar (7,2 - 363 psi)

END CONNECTION:

Screwed Female 2" BSP/NPT

TEMPERATURE RANGE:

Water 4 - 80°C (40 - 180°F)

WEIGHT:

8kg. (17,6 lb)

MAXIMUM DISCHARGE: (Large Orifice)

103,8 l/sec. (220 scf/min)

TEST PRESSURE

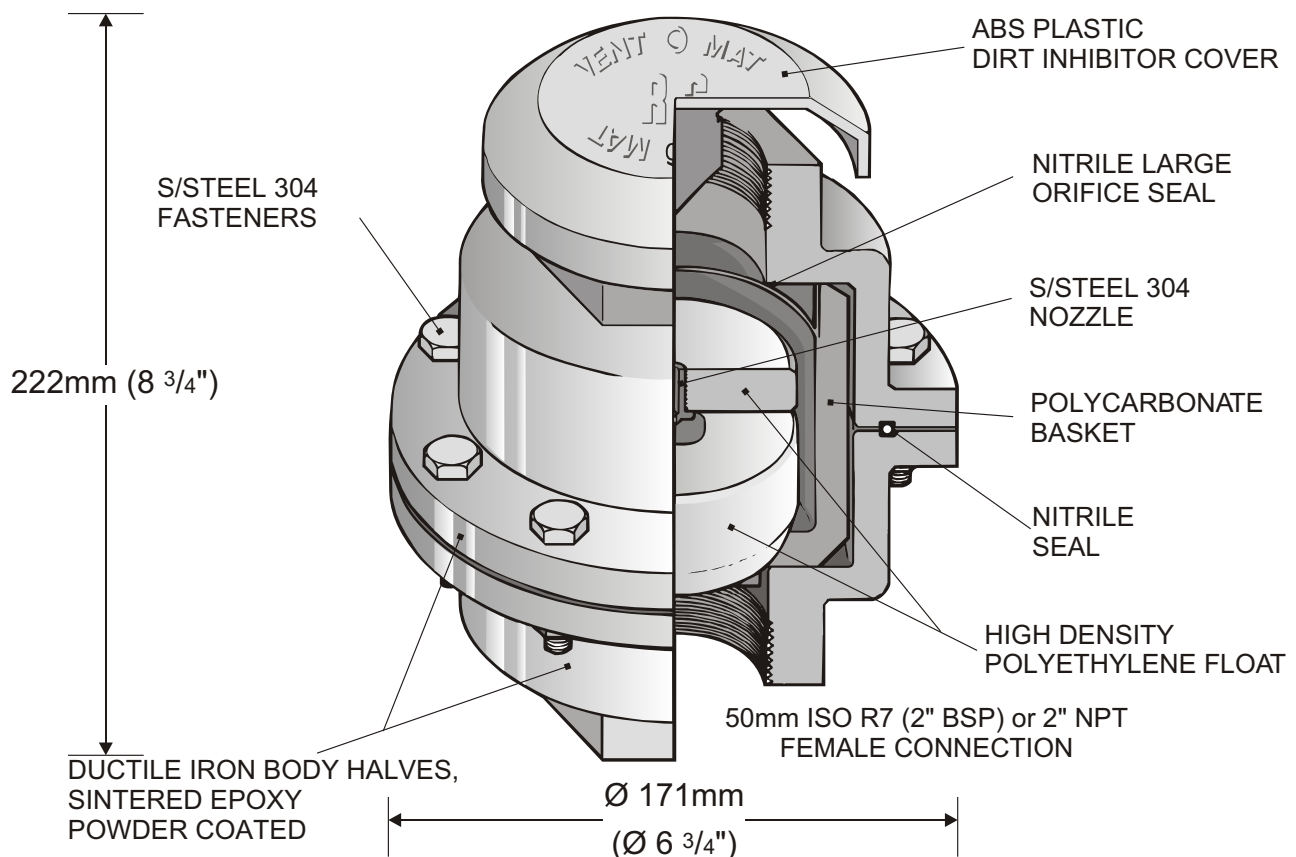
1.5 x Maximum Working Pressure

MAXIMUM INTAKE: (Vacuum)

130 l/sec. (275,5 scf/min) at -0.35 bar (-5,1 psi) Dp pipe pressure.

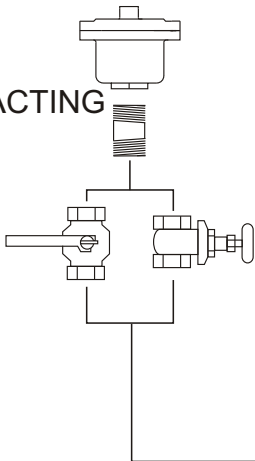
FUNCTION:

- (i) High volume air discharge - Pipeline Filling
- (ii) High volume air intake - Pipeline Draining
- (iii) Pressurized air discharge - Pipeline Operating

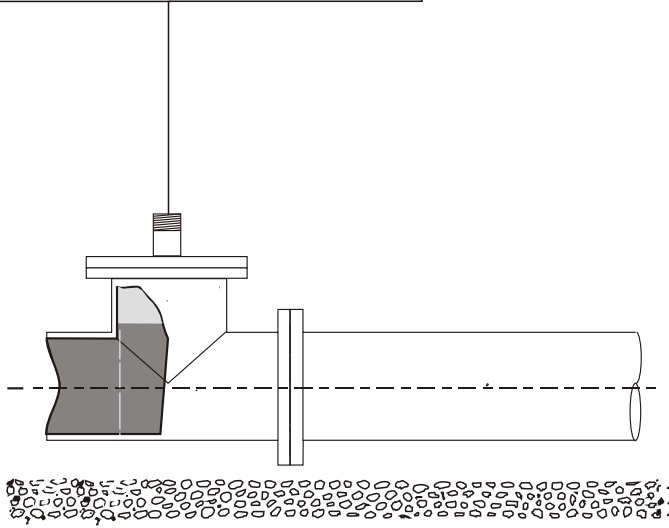
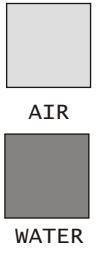
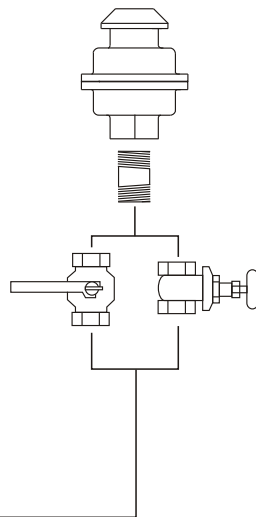


RECOMMENDED INSTALLATION ARRANGEMENTS

TYPE 1
1" SINGLE ACTING



TYPE 2
2" DOUBLE ACTING



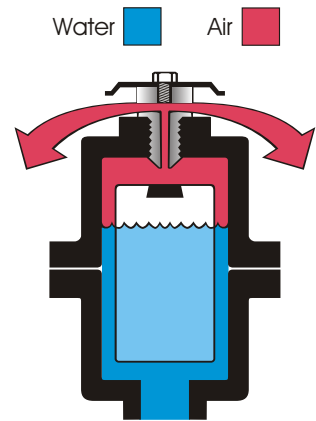
ORDERING GUIDE

<p>VALVE SIZE:</p> <p>DN25 (1") - <input type="text" value="025"/></p> <p>DN50 (2") - <input type="text" value="050"/></p> <p>VALVE SERIES No:</p>	<p><input type="text" value="025"/> <input type="text" value="RC"/> <input type="text" value="16"/> <input type="text" value="0"/> <input type="text" value="1"/></p> <p>VALVE PRESSURE RATING:</p> <p>PN16 (232 PSI), ANSI#125 <input type="text" value="16"/></p> <p>PN25 (363 PSI), ANSI#250 <input type="text" value="25"/></p>	<p>VALVE TYPE:</p> <p>DOUBLE ACTING <input type="text" value="1"/></p> <p>SINGLE ACTING <input type="text" value="0"/></p> <p>VALVE END CONNECTION:</p> <p>SCREWED FEMALE - BSP <input type="text" value="1"/></p> <p>SCREWED FEMALE - NPT <input type="text" value="2"/></p>
--	--	---

information subject to change without prior notice

OPERATION: SINGLE SMALL ORIFICE AIR RELEASE VALVE**VENTING UNDER PRESSURE**

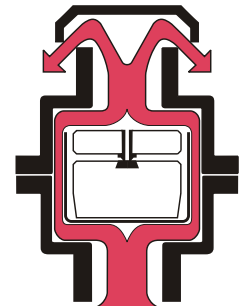
Liquid enters the valve chamber raising the float upward to close the small orifice. Disentrained air rises through the liquid and accumulates in the top of the valve chamber. When the volume of air is sufficient the float is no longer buoyant and gravitates downwards thereby opening the small orifice and allowing accumulated air to be discharged to atmosphere. As the air is discharged the liquid raises the float to re-seal the small orifice and prevent escape of liquid.

**OPERATION: DOUBLE ORIFICE AIR RELEASE & VACUUM BREAK VALVE**

①

HIGH VOLUME AIR DISCHARGE (FILLING OF A PIPELINE)

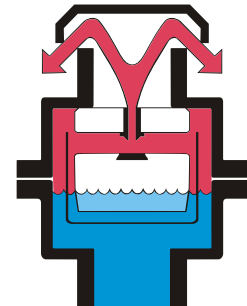
Air enters the valve and flows through the annular area around the kinetic shield



②

PRESSURIZED AIR DISCHARGE (PIPELINE OPERATING)

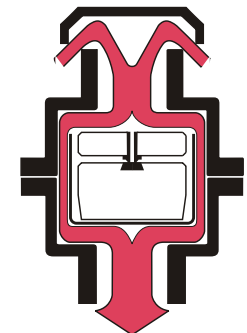
Subsequent to the filling of a pipeline, liquid enters the valve chamber and the floats are buoyed so that the upper float closes the large orifice, the valve will then become internally pressurized. Disentrained air rises through the liquid and accumulates in the valve chamber, when the volume of air is sufficient to displace the liquid, the lower float is no longer buoyant and gravitates downwards thereby opening the small orifice and allowing accumulated air to



③

HIGH VOLUME AIR INTAKE (PIPELINE DRAINING)

Simultaneous drainage of liquid from the valve chamber and the loss of pressure causes both floats to gravitate downwards thereby opening the large orifice and allowing atmospheric air through the valve to replace draining liquid in the



DN 15 Air Release Valves available on request.

DN 15 & DN 25 Vacuum Breaker Valves available on request.

Complete the form below for any additional information and fax/post to:

Vent-O-Mat
P. O. Box 5064
Benoni South
1502
South Africa

Tel: (+27 11) 748 0200

Fax: (+27 11) 421 2749

E Mail: dfc@dfc.co.za

Web Site: www.ventomat.com

Company Name:

Postal Address:

Postal Code: Country:

Tel: Fax:

Contact Name: Title:

Comments:

.....
.....
.....
.....

Products you are interested in:

VENT-O-MAT® Series RBXc Air Release & Vacuum Break Valves

compact single chamber design with integral "Anti-Shock" surge dampening mechanism in an economical cast ductile iron construction.

VENT-O-MAT® Series RBX Air Release & Vacuum Break Valves

compact single chamber design with integral "Anti-Shock" surge dampening mechanism.

VENT-O-MAT® Series RGX Sewage Air Release & Vacuum Break Valves

compact single chamber design with integral "Anti-Surge" surge dampening mechanism.

VENT-O-MAT® Series RX Air Release & Vacuum Break Valves

compact single chamber design pump protector.

LevelDex® High Performance Endline Level Control Valves

end line valve with cushioned closing characteristics for level control in tanks and reservoirs.