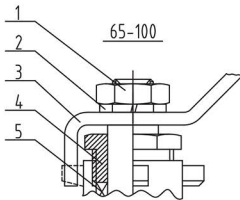
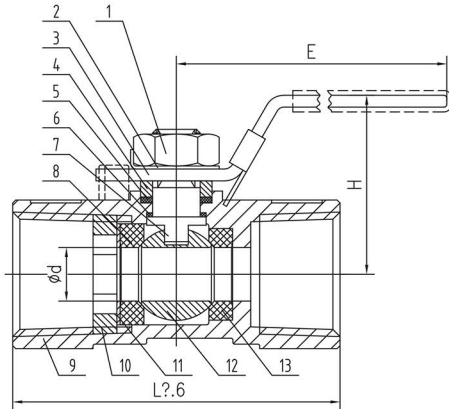


**MSV MODEL 2017
ONE PIECE STAINLESS
STEEL BALL VALVE BSP
THREADED**

MSV.CO.ZA

DESCRIPTION

1 Piece Reduced Bore Ball Valve 316 Stainless Steel Body and Ball PTFE Seats and Seals Threaded BSP, 1000 psi, Lockable Lever.



FEATURES

- ✓ Threaded Ends Conform to BSP
- ✓ Blow-out Proof Stem
- ✓ Investment Casting
- ✓ 1000 W.O.G.
- ✓ Lockable Lever

No.	Part Name	Material
1	Nut	316
2	Stop-lock-cap	316
3	Handle	201
4	Gland	316
5	Packing	PTFE
6	Thrust Washer	PTFE
7	Stem	316
8	On Seat	RPTFE
9	Body	CF8M
10	Lock Nut	316
11	Metallic Gasket	316
12	Ball	316
13	Next Seat	RPTFE

Size	Item	1/4"	3/8"	1/2"	3/4"	1"	1 1/4"	1 1/2"	2"	2 1/2"	3"	4"
d		5	7	9	12	15	20	25	32	38	49	65
H		35	37	41	44	45	49	56	62	95	105	117
E		65	70	85	90	115	115	140	140	180	180	220
L		41	45	55	59	70	76	84	97	124	148	185
NM		2	3	3.5	3.5	4.5	7	8.5	14.5	21	28	51
Torque Weight		0.07	0.1	0.19	0.26	0.4	0.68	0.9	1.4	2	3	8