

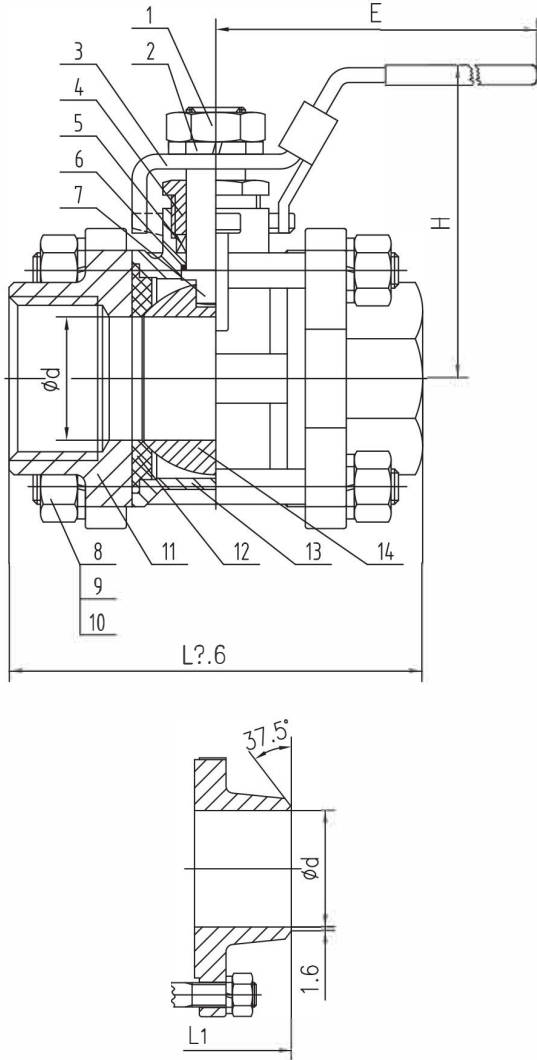
**MODEL 2013 BSP  
THREE PIECE STAINLESS  
STEEL BALL VALVE**

**MSV.CO.ZA**



# DESCRIPTION

3 Piece Ball Valve, 316 Stainless Steel Body and Ball, PTFE Seats and Seals Full Bore Threaded BSP  
1000 psi, lockable lever.



## FEATURES

- ✓ Threaded Ends Conform to BSP
- ✓ Blow-out Proof Stem
- ✓ Investment Casting
- ✓ 1000 W.O.G.
- ✓ Lockable Lever

## MAIN PARTS AND MATERIALS

NO	PART NAME	MATERIAL
1	Nut	316
2	Spring Washer	316
3	Handle	201
4	Gland Nut	316
5	Packing	PTFE
6	Thrust Washer	PTFE
7	Stem	316
8	Bolt	316
9	Spring Washer	316
10	Nut	316
11	Cap	CF8 / CF8M / WCB
12	Seat	RPTFE
13	Body	CF8M
14	Ball	316

Size	Item	1/4"	3/8"	1/2"	3/4"	1"	1 1/4"	1 1/2"	2"	2 1/2"	3"	4"
d		12	12	15	20	25	32	38	49	63	76	96
L		67	67	62	80	82	110	119	140	160	201	234
				75						185		
L1		67	67	69	79	81	110	117	145	166	203	241
H		59	59	61	67	74	82	99	105	120	137	157
E		95	95	115	125	150	160	190	200	265	310	310
Torque NM		3.5	3.5	4.5	7	8.5	14.5	21	28	51	86	121
Weight Kg		0.35	0.35	0.5	0.7	1	1.6	2.5	3.5	6.7	9.5	19.1