

**MODEL 2021 ONE
PIECE API 607 FIRE SAFE
APPROVED STAINLESS
STEEL BALL VALVE**

MSV.CO.ZA

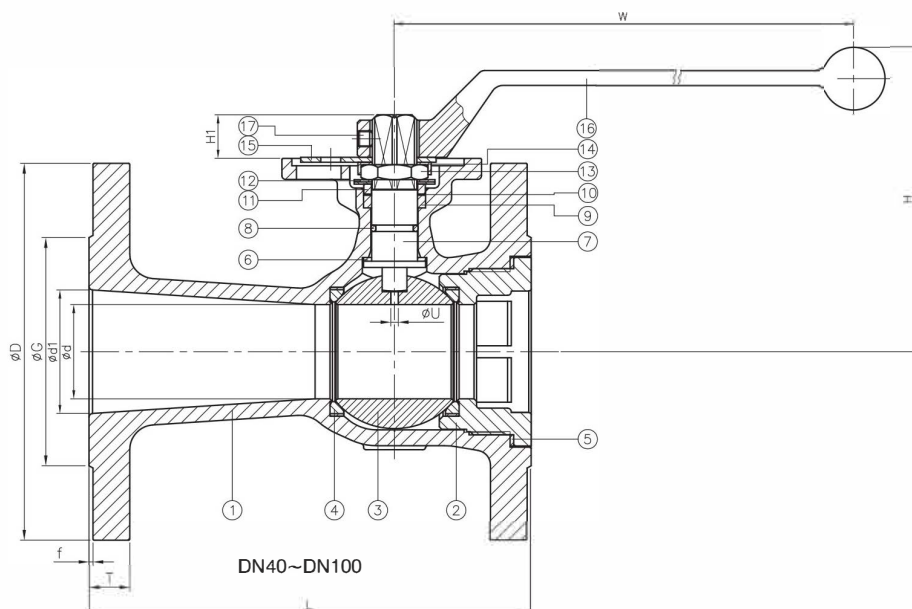
DESCRIPTION

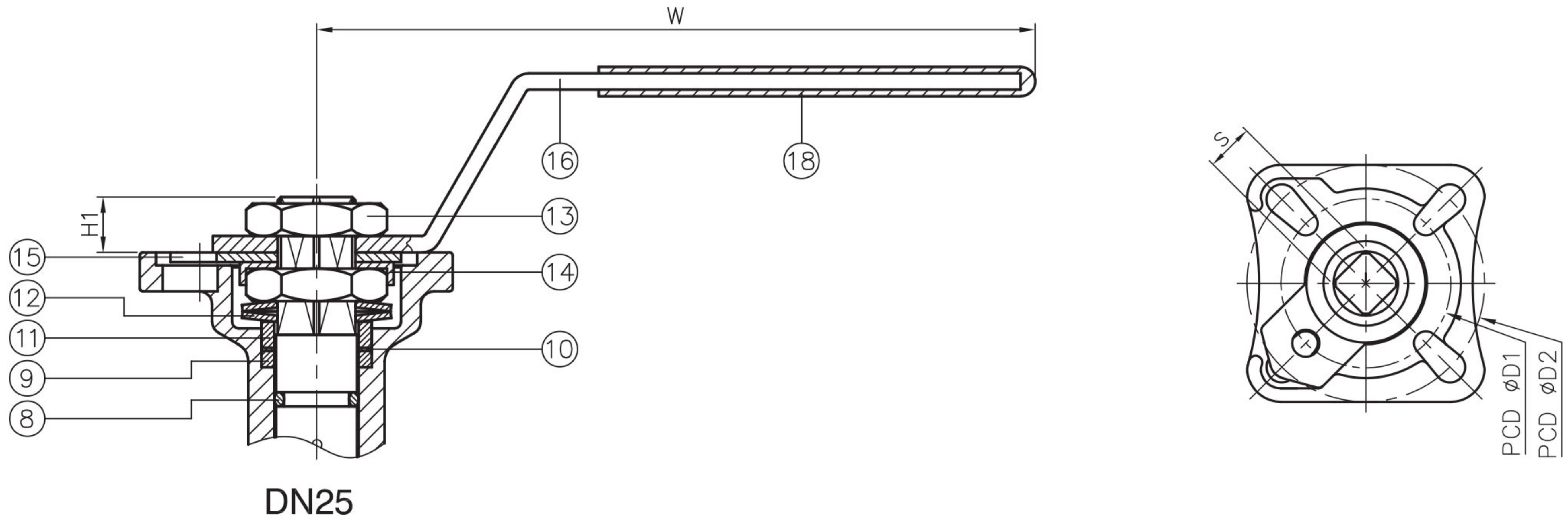
Class 150 One Piece Reduced Bore Ball Valve, 316 Stainless Steel Body and Ball RTFE Seats and Seals Flanged RF Undrilled, Lockable Lever with ISO mounting Pad.

FEATURES

- ✔ Flanged Ends Refer to ANSI BS16.5
- ✔ Face to Face ANSI B16.10
- ✔ Investment Casting
- ✔ Blow-out Proof Stem
- ✔ ISO 5211 Mounting Pad
- ✔ Lockable Lever

NO.	PART NAME	MATERIAL
1	BODY	ASTM A351-CF8M
2	RETAINER	
3	BALL	ASTM A351-CF8M
4	SEAT	RTFE
5	SEAL	GRAPHITE
6	THRUST WASHER	CTFE
7	STEM	ASTM A276-316
8	O-RING	VITON
9	PACKING A	GRAPHITE
10	PACKING B	CTFE
11	GLAND RING	AISI 304
12	BELLEVILLE WASHER	AISI 301
13	STEM NUT	AISI 304
14	LOCKING WASHER	
15	STOPPER	
16	HANDLE	STAINLESS STEEL
17	SOCKET SET SCREWS	AISI 304
18	HANDLE SLEEVE	PVC





DN	d	d1	G	D	L	H	H1	W	T	f	S	D1	D2	U	TORQUE (N-M)		WEIGHT Kg
															BREAKAWAY	ACTION	
25	20	25	51	108	127	96	8	140	11.1	1.6	9	36	42	3	9.8	5.9	2.3
40	30	40	73	127	165	101	10.5	197.5	14.3	1.6	11	42	50	3	20.8	11.7	4.3
50	38	50	92	152	178	123	14	247.5	15.8	1.6	14	50	70	3	29.9	20.8	7.2
65	50	64	105	178	190.5	136	15.5	247.5	17.6	1.6	14	50	70	3	37.7	26	10
80	64	76	127	190.5	203	155	18.5	340	19.1	1.6	17	70	102	3	48.1	36.4	15.5
100	76	100	157	229	229	170	20	340	24	1.6	17	70	102	3	55.9	45.5	23.5

unit:mm

NPS	d	d1	G	D	L	H	H1	W	T	f	S	D1	D2	U	TORQUE (in-lb)		WEIGHT lb
															BREAKAWAY	ACTION	
1"	0.79	0.98	2.01	4.25	5	3.79	0.31	5.51	0.44	0.06	0.35	1.42	1.65	0.12	86.7	52.2	5.1
1-1/2"	1.18	1.57	2.87	5	6.5	3.97	0.41	7.78	0.56	0.06	0.43	1.65	1.97	0.12	184.1	103.6	9.5
2"	1.5	1.97	3.62	5.98	7.01	4.84	0.55	9.74	0.62	0.06	0.55	1.97	2.76	0.12	264.6	184.1	15.9
2-1/2"	1.97	2.52	4.13	7.01	7.5	5.35	0.61	9.74	0.69	0.06	0.55	1.97	2.76	0.12	333.7	230.1	22
3"	2.52	2.99	5	7.5	7.99	6.11	0.73	13.39	0.75	0.06	0.67	2.76	4.02	0.12	425.7	322.2	34.2
4"	2.99	3.94	6.18	9.02	9.02	6.7	0.79	13.39	0.94	0.06	0.67	2.76	4.02	0.12	494.8	402.7	51.8

unit:in