



MACNEIL STEEL AND VALVES (PTY) LTD



A105 NPT & SOCKET WELD GATE VALVE



+27 (011) 822 1802



www.msv.co.za



1575 Staal Rd, Knights, Germiston,
Gauteng, SA

A105 GATE VALVES

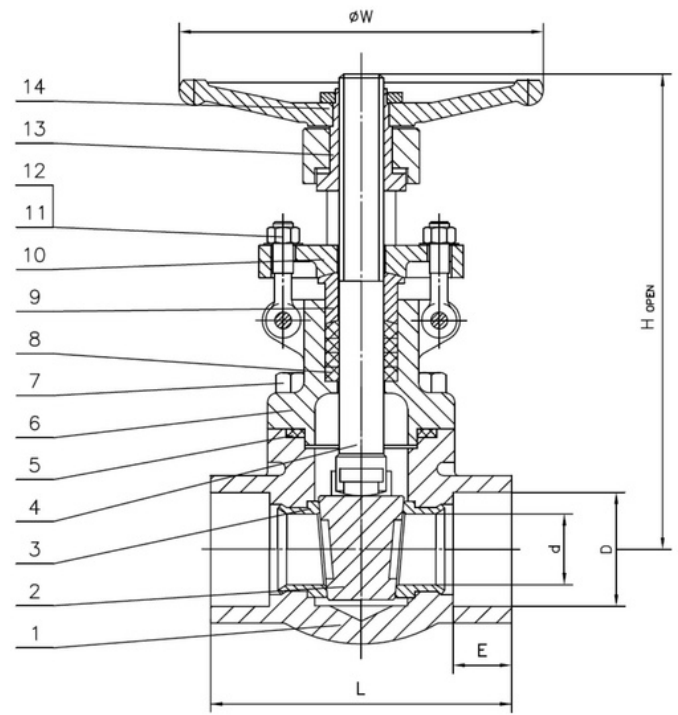
Gate valves are Bi-directional valves ideally suited for on-off duties. These valves have a very low resistance to flow. They are used for duties with high pressure fluids due to the fact that upstream pressure helps the sealing between gate and seat.

MSV GATE VALVE, A105, BOLTED BONNET, HANDWHEEL OPERATED, SOCKET WELD / NPT THREADED

Specifications:

1. Design and manufacture according to API 602
2. Pressure Test according to API 598
3. Available Class 800 and Class 1500
4. Available Socket weld ANSI B16.11 & NPT ANSI B1.20.1
5. Bolted Bonnet
6. Bi-directional
7. Ideal for On-off duties.

NO	PART NAME	MATERIAL
1	Body	ASTM A105
2	Wedge	ASTM A276 410
3	Seat Ring	ASTM A276 410
4	Stem	ASTM A276 410
5	Gasket	Graphite + SS304
6	Bonnet	ASTM A105
7	Bonnet Bolt	ASTM A193 B7
8	Stem Packing	Reinforced Graphite
9	Gland	ASTM A276 410
10	Gland Flange	ASTM A105
11	Gland Eyebolt	ASTM A193 B7
12	Gland Nut	ASTM A194 2H
13	Stem Nut	ASTM A276 410
14	Hand Wheel	ASTM A197



CLASS 800:

Nominal Diameter		Main Dimensions (mm)						
Inches	mm	d	D (SW)	D (NPT)	E	L	H	ØW
½"	15	9.5	21.8	15	10	79	166	100
¾"	20	13	27.2	20	13	92	169	100
1"	25	18	33.9	25	13	111	196	120
1 ¼"	32	23	42.7	32	13	120	246	160
1 ½"	40	28	48.8	40	13	120	250	160
2"	50	36	61.2	50	16	140	290	180

CLASS 1500:

Nominal Diameter		Main Dimensions (mm)						
Inches	mm	d	D (SW)	D (NPT)	E	L	H	ØW
½"	15	9.5	21.8	15	10	92	170	100
¾"	20	13	27.2	20	13	111	196	120
1"	25	18	33.9	25	13	120	228	160
1 ¼"	32	23	42.7	32	13	120	250	160
1 ½"	40	28	48.8	40	13	140	300	180
2"	50	33	61.2	50	16	170	334	220



+27 (011) 822 1802

www.msv.co.za

1575 Staal Rd, Knights, Germiston, Gauteng, SA

A105 NPT & SOCKET WELD GATE VALVE