




MACNEIL STEEL AND VALVES (PTY) LTD

A105 PISTON CHECK VALVES

 +27 (011) 822 1802

 www.msv.co.za

 1575 Staal Rd, Knights, Germiston,
Gauteng, SA

A105 PISTON CHECK VALVES

Check Valves are Uni-directional valves which automatically open with forward flow and close against reverse flow.

They are supplied to meet a wide variety of applications with the closing element of the piston, ball or swing type.

MSV PISTON VALVE, A105, NPT THREADED

Specifications:

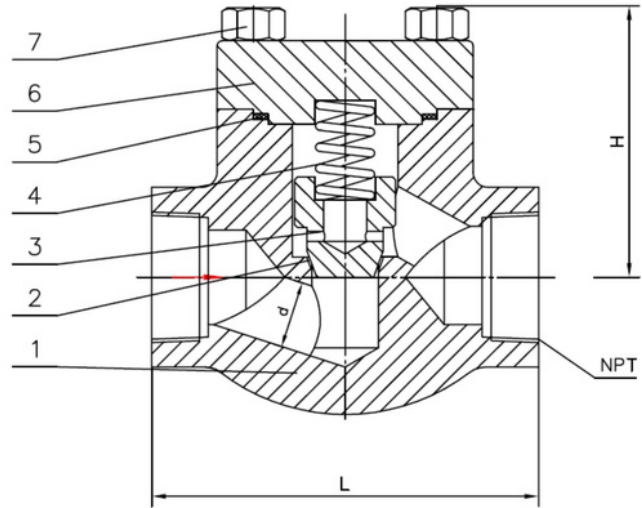
1. Design and manufacture according to ANSI B16.34
2. Pressure Test according to API 598
3. Available Class 800 and Class 1500
4. NPT ANSI B1.20.1
5. Uni-directional

CLASS 800:

Nominal Diameter		Main Dimensions (mm)			
Inches	mm	d	D (NPT)	L	H
½"	15	10	15	79	61
¾"	20	13	20	92	61
1"	25	17	25	111	78
1 ½"	40	30	40	152	103
2"	50	37	50	172	118

CLASS 1500:

Nominal Diameter		Main Dimensions (mm)			
Inches	mm	d	D (NPT)	L	H
½"	15	10	15	90	61
¾"	20	13	20	110	73
1"	25	18	25	127	80
1 ½"	40	33	40	170	118
2"	50	38	50	210	147



NO	PART NAME	MATERIAL
1	Body	ASTM A105
2	Seat Facing	13% Cr
3	Disc	ASTM A276 410
4	Spring	SS304
5	Gasket	Graphite + SS304
6	Cover	ASTM A105
7	Cover Bolt	ASTM A193 B7