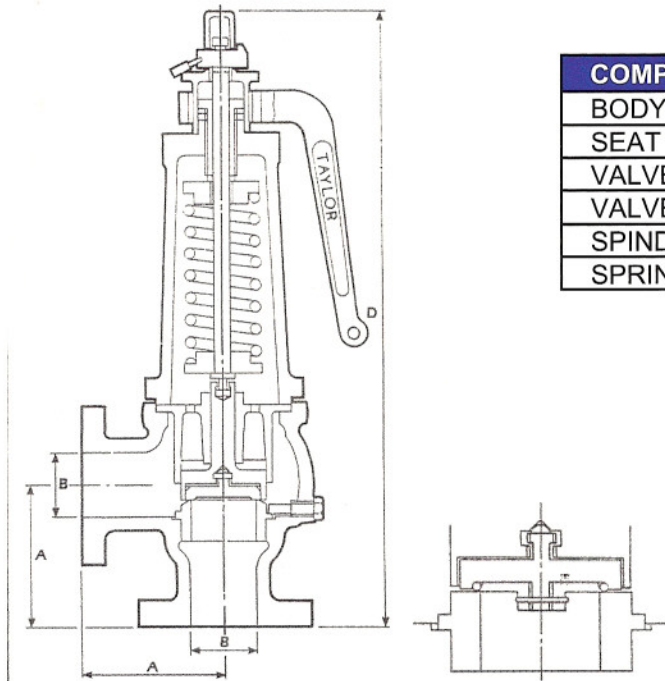


Single Spring High Lift Safety Valve

Fig. 329



COMPONENT	MATERIAL
BODY	CAST STEEL
SEAT	NICKEL ALLOY
VALVE HEAD	STAINLESS STEEL
VALVE HEAD HOLDER	BRONZE
SPINDLE	MANG BR/STAINLESS STEEL
SPRING	ALLOY STEEL

Fig. 329 H.W.

For Hot Water Applications a Resilient (P.T.F.E.) Seal can be supplied for Temperatures up to 224°C max.

CONSULT TAYLORSHAW FOR SIZING

Technical Description of Standard Valves

Cast Steel Body, Nickel Alloy Seat, Stainless Steel Valve Head.

Steel Spring. Flanged Inlet and Outlet to ANSI, BS, or European Standards

Consult Taylorshaw for Sizing

Suitable for pressures up to 24 bar and temperatures up to 345°C.

SIZE		A		B		D		WEIGHT
mm	ins	mm	ins	mm	ins	mm	ins	kg
40	1 1/2	108	4 1/4	40	1 1/2	457	18	17
50	2	121	4 3/4	50	2	508	20	30
65	2 1/2	140	5 1/2	65	2 1/2	597	23 1/2	40
80	3	165	6 1/2	80	3	711	28	60
90	3 1/2	178	7	90	3 1/2	775	30 1/2	84
100	4	178	7	100	4	876	34 1/2	88