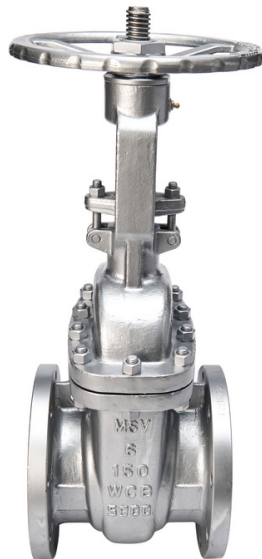




MACNEIL STEEL AND VALVES (PTY) LTD



GATE VALVE CLASS 150 CLASS 300

+27 (011) 822 1802

www.msv.co.za

1575 Staal Rd, Knights,
Germiston, Gauteng, SA

GATE VALVE CLASS 150 / 300

MSV CLASS 150 AND CLASS 300 FLANGED RF GATE VALVE, OUTSIDE SCREW AND YOKE

SPECIFICATIONS:

- Material: Body: A216 WCB / A351 CF8M
- Trim: Trim 1 F6 13% Chrome
- Design and Manufacture: API600
- Face to face dimensions According to ANSI B16.10
- Flanged End dimensions According to ANSI B16.5
- Pressure Test According to API598

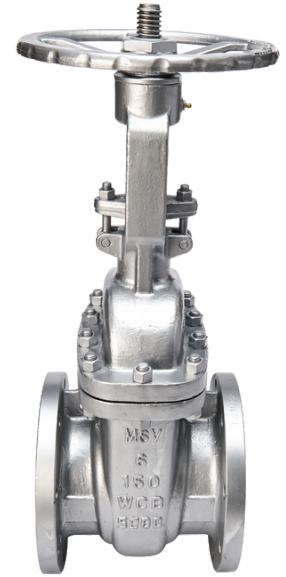
MANUFACTURING MATERIALS SPECIFICATIONS:

Material Description: **ASTM Specification:** **Service Recommendation:**

Cast Carbon steel WCB Steam, Water, Oil, Vapour, Gas and general services.

Forged Carbon steel A.105 Temperatures -30°C to 425°C

Trim: 13% Cr. (F6) stainless steel is our Standard trim.



Pressure Temperature ratings – for Water, Steam and Oil services

Maximum non-shock pressure: lbs per sq inch / Bar

TEMP °C	WCB / CF8M				
	150	300	600	900	1500
-29 to 38	19.6	51.1	102.1	153.2	255.3
50	19.2	50.1	100.2	150.2	250.4
100	17.7	46.4	92.80	139.10	231.9
150	15.8	45.2	90.5	135.7	226.1
200	14.0	43.8	87.6	131.5	219.1
250	12.1	41.7	83.4	125.2	208.6
300	10.2	38.7	77.5	116.2	193.7
350	8.4	37.0	73.9	110.9	184.8
375	7.4	36.5	72.9	109.4	182.3
400	6.5	34.5	69.0	103.5	172.5
425	5.6	28.8	57.5	86.3	143.8
450	4.7	20.0	40.1	60.1	100.2
475	*3.7	13.5	27.1	40.6	67.7
500	*2.8	8.8j	17.6j	26.4j	44.0j
525	*1.9	5.2j	10.4j	15.5j	25.9j
540	*1.3j	3.3j	6.5j	9.8j	16.3j

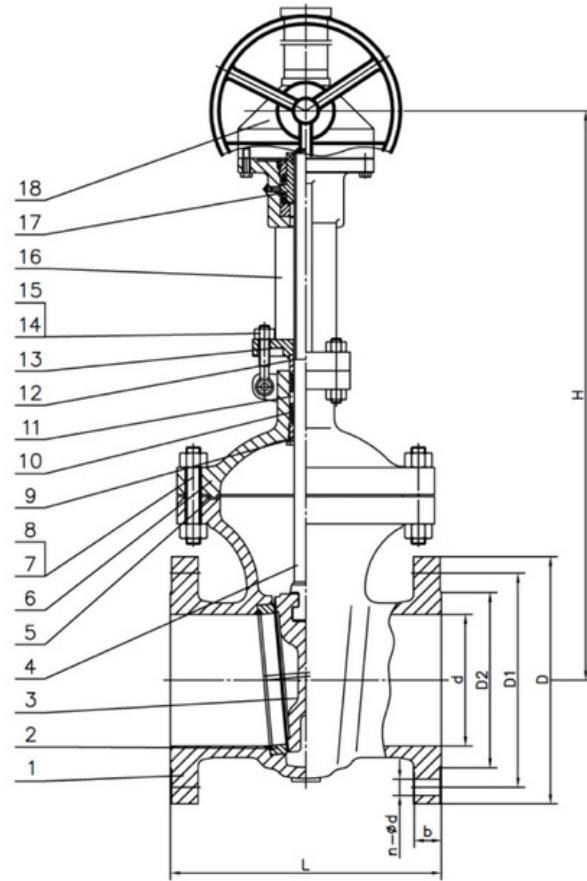
† TEST PRESSURES: Bar

BODY	30	77	154	230	383
SEAT	21.6	56.3	112.4	168.6	280.9

*to be used on Oil Service only. † Consideration should be given to scaling due to oxidation. ‡ Hydrostatic Tests carried out with water.



GEARBOX OPERATED



NO	PART NAME	MATERIAL FOR WCB
1	Body	ASTM A216 WCB
2	Seat Ring	ASTM A105+13Cr
3	Wedge	A216 WCB + 13Cr
4	Stem	ASTM A182 F6a
5	Gasket	SS304 + Graphite
6	Bonnet	ASTM A216 WCB
7	Bonnet Bolt	ASTM A193 B7
8	Bonnet Nut	ASTM A194 2H
9	Backseat Bushing	ASTM A182 F6a
10	Stem Packing	Graphite
11	Lantern	ASTM A182 F6a
12	Gland	ASTM A182 F6a
13	Gland Flange	ASTM A216 WCB
14	Gland Eyebolt	ASTM A193 B7
15	Gland Nut	ASTM A194 2H
16	Yoke	ASTM A216 WCB
17	Stem Nut	ZCuAl10Fe3
18	Gearbox	Ductile Iron

Nominal Diameter		Main Dimensions (mm) CLASS 150								
inch	mm	d	D	D1	D2	b	n - ø d	L	H	W
16"	400	387	597	539.8	470	37	16 - ø 29	406	1372	460
18"	450	438	635	577.9	533	40	16 - ø 32	432	1460	460
20"	500	489	699	635.0	584	43	20 - ø 32	457	1612	460
24"	600	591	813	749.3	692	48	20 - ø 35	508	2037	460
28"	700	692	927	863.6	800	72	28 - ø 35	610	2285	600
Nominal Diameter		Main Dimensions (mm) CLASS 300								
inch	mm	d	D	D1	D2	b	n - ø d	L	H	W
12"	300	305	521	450.8	381	51	16 - ø 32	502	1095	460
14"	350	337	584	514.4	413	54	20 - ø 32	762	1348	460
16"	400	387	648	571.5	470	58	20 - ø 35	838	1462	460
18"	450	432	711	628.6	533	61	24 - ø 35	914	1560	460
20"	500	483	775	685.8	584	64	24 - ø 35	991	1722	600
24"	600	584	914	812.8	692	70	24 - ø 41	1143	2155	600

