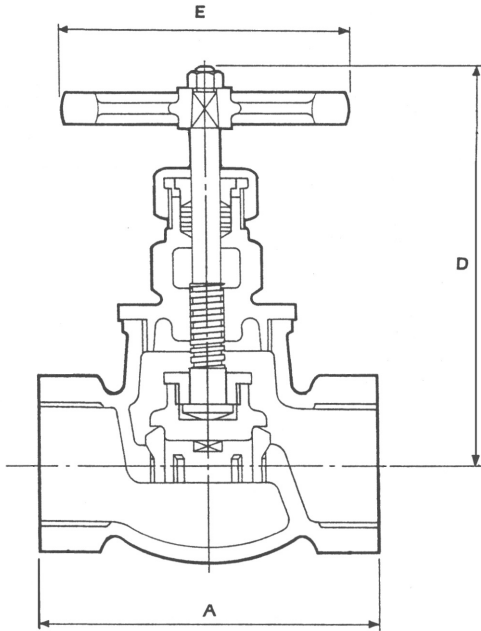




### Globe Stop Valve Internal Screw Class 250

### Series 811



Component	Material
Body	Bronze -CC491K (LG2)
Cover	Bronze -CC491K (LG2)
Seats	Nickel Alloy
Valve Head	Nickel Alloy
Stem	Mang. Br
Gland	Bronze
Handwheel	Cast Iron

#### PRESSURE TEMPERATURE RATINGS

Temp°C		Working Pressure Bar
-10	120	40.0
	150	38.5
	170	35.5
	180	34.0
	186	32.8
	198	30.4
	200	30.0
	220	25.5
	250	19.5
	260	17.5

Cast Bronze Body and Bonnet, Inside Screw Rising Stem.

Screwed ends to customer's order.

Size		A		D		E		Weight* kg
mm	ins	mm	ins	mm	ins	mm	ins	
15	1/2	89	3 1/2	117	4 5/8	86	3 3/8	2
20	3/4	102	4	143	5 5/8	95	3 3/4	3.5
25	1	115	4 1/2	152	6	105	4 1/8	4.5
32	1 1/4	133	5 1/4	171	6 3/4	118	4 5/8	6.5
40	1 1/2	152	6	200	7 7/8	137	5 3/8	8
50	2	178	7	222	8 3/4	156	6 1/8	11

\*Weights of flanged valves only