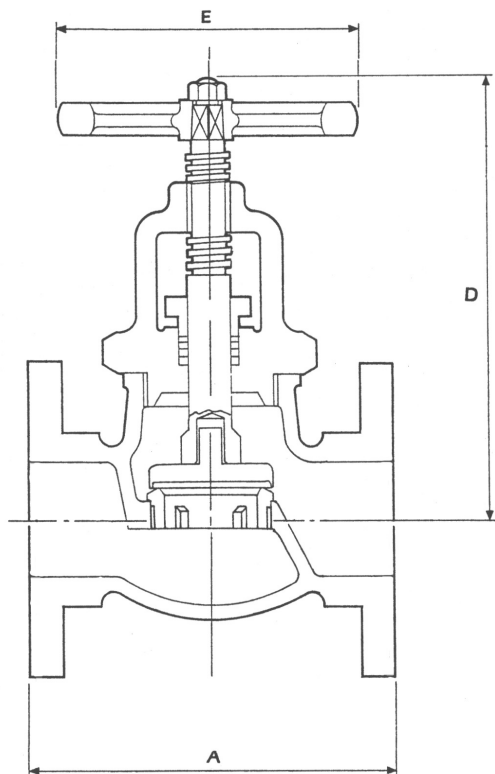




Globe, Stop and Non-Return Valve External Screw



Component	Material
Body	Bronze
Bonnet	Bronze
Seats	Nickel Alloy
Valve Head	Mang. Br/P.T.F.E
Stem	Mang. Br
Gland	Bronze
Hand Wheel	Cast Iron

PRESSURE TEMPERATURE RATINGS

Temp°C		Working Pressure Bar
-10	120	40.0
	150	38.5
	170	35.5
	180	34.0
	186	32.8
	198	30.4
	200	30.0
	220	25.5

Cast Bronze Body and Bonnet. Outside Screw Rising Stem

Flanged to ANSI.BS. or European Standards.

Valve Should Be Installed So Valve Head Lifts Vertically Upwards

Size		A		D		E		Weight kg
mm	ins	mm	ins	mm	ins	mm	ins	
15	1/2	102	4	133	5 1/4	86	3 3/8	3
20	3/4	114	4 1/2	140	5 1/2	95	3 3/4	4
25	1	127	5	159	6 1/4	105	4 1/8	5.5
32	1 1/4	140	5 1/2	178	7	118	4 5/8	7
40	1 1/2	152	6	191	7 1/2	137	5 3/8	10
50	2	178	7	210	8 1/4	156	6 1/8	14.5
65	2 1/2	229	9	279	11	181	7 1/8	22.5
80	3	254	10	337	13 1/4	203	8	35