



**MODEL 2026
PN40 STAINLESS
STEEL DISC CHECK**

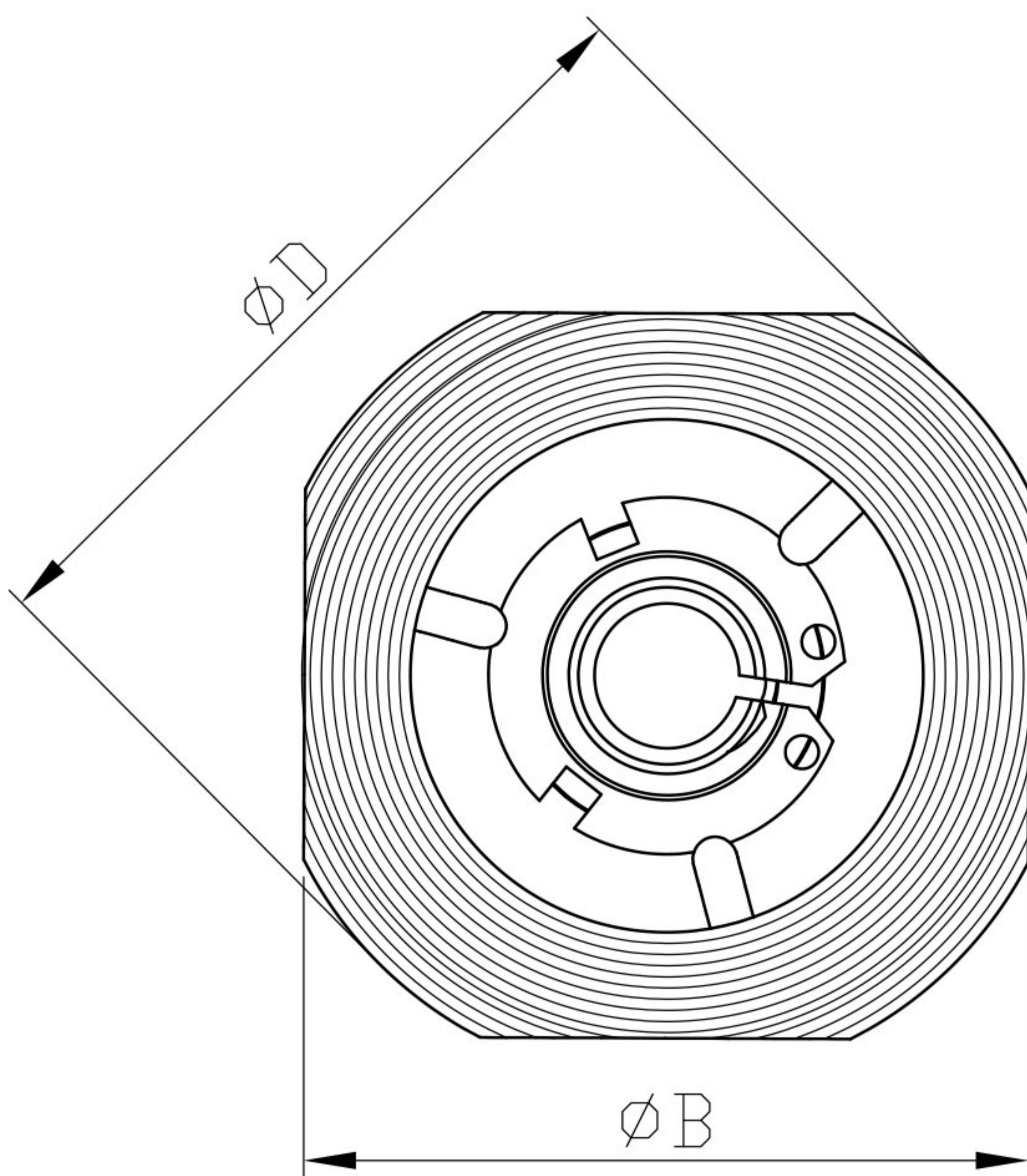
MSV.CO.ZA

DESCRIPTION

316 Stainless Steel Wafer Disc Check Valve PN40.

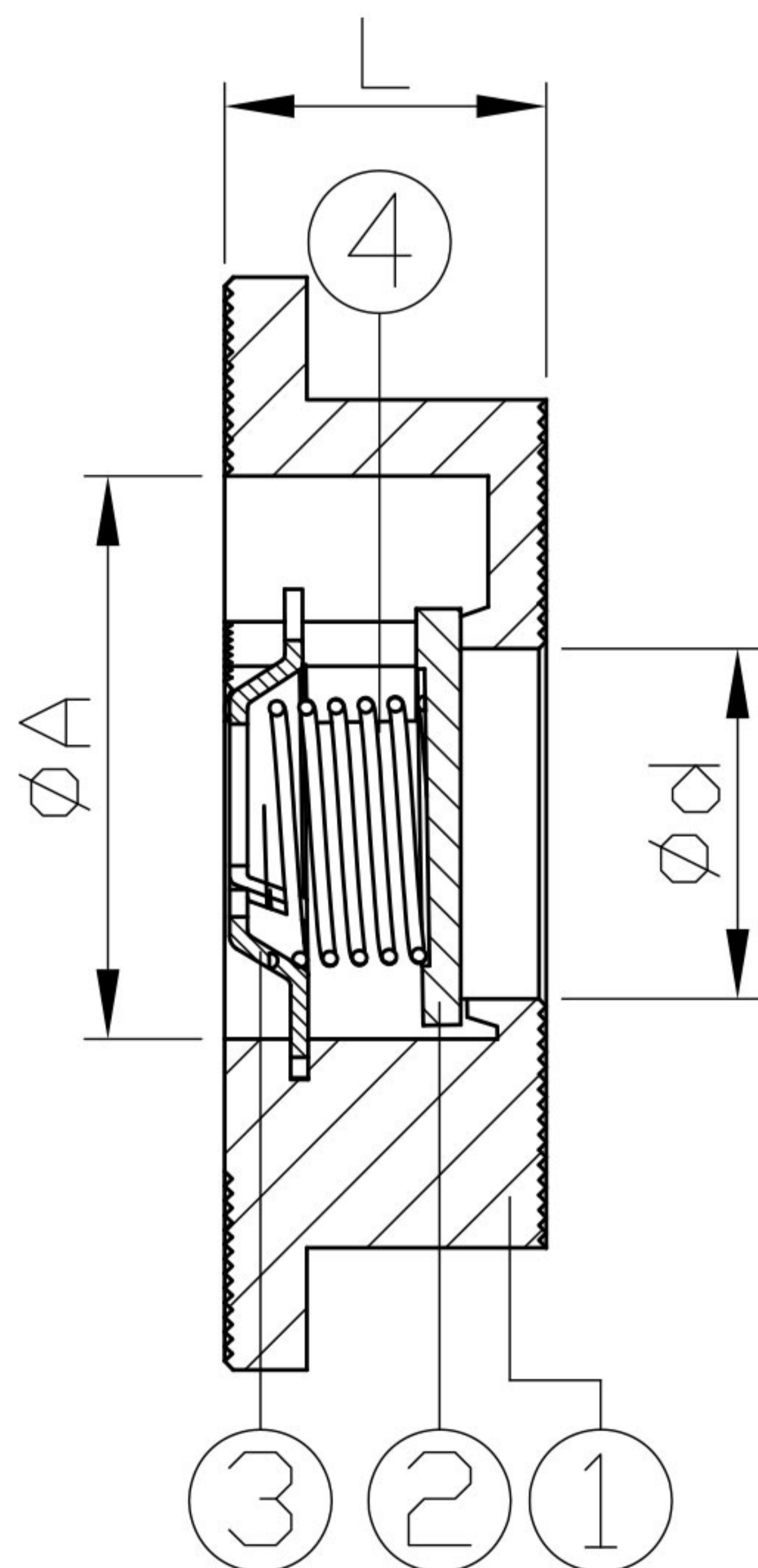
FEATURES

- ✓ Flange: PN 40
- ✓ Face to Face: DIN3202



DN	d	A	B	D	L	Weight Kg
15	12.5	34	44.6	54	16	0.1
20	20	39	54	62	19	0.2
25	25	46	65	73	22	0.2
32	32	60	78	83	28	0.4
40	38	70	88	93	31.5	0.6
50	49	79	101.6	107	40	0.8
65	64	101	120.4	126.5	46	1.4
80	78	109	133	141.2	49	2
100	98	134	164	171.4	60	3

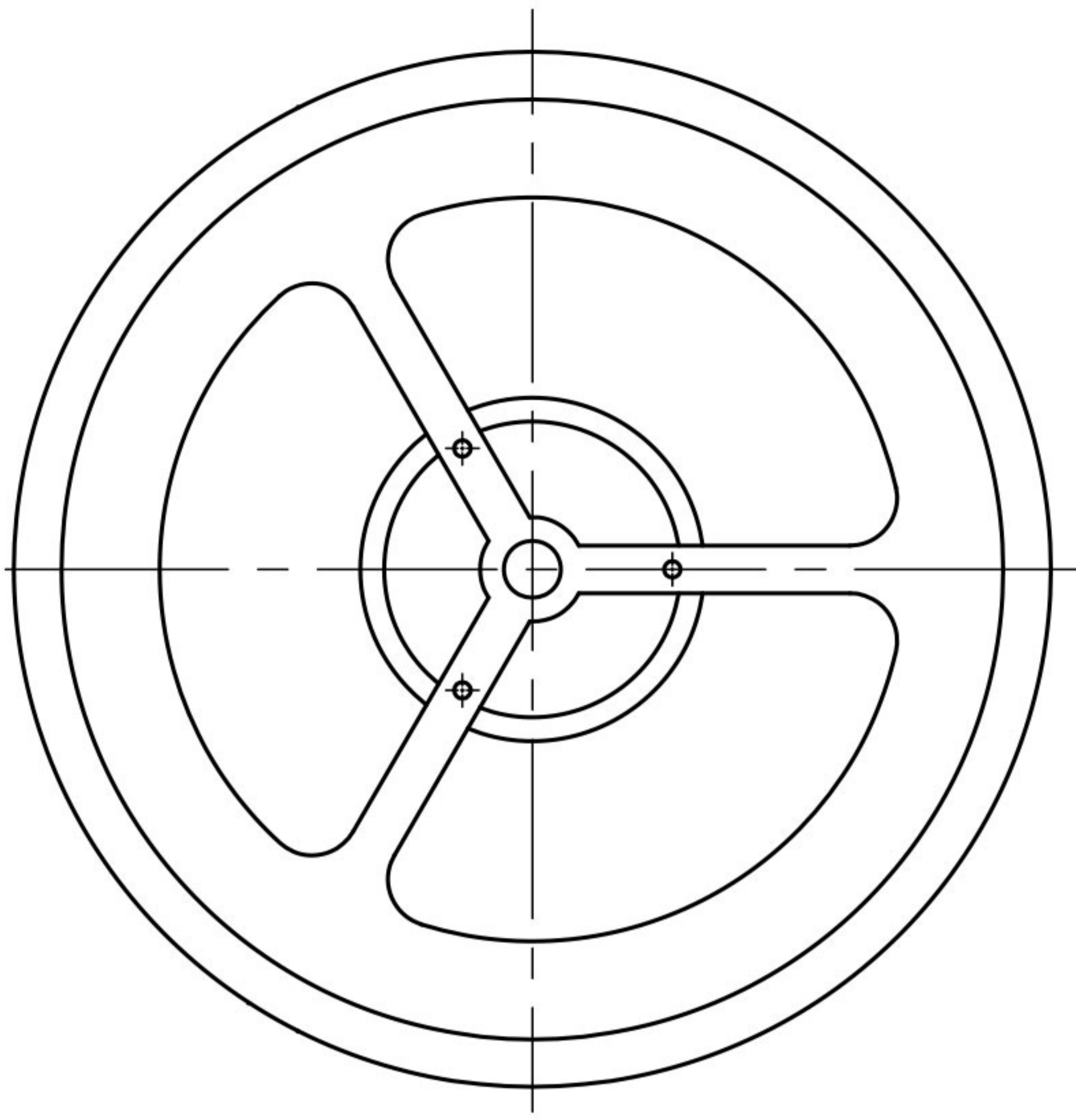
unit:mm



NPS	d	A	B	D	L	Weight Lb
1/2"	0.49	1.34	1.76	2.13	0.63	0.2
3/4"	0.79	1.54	2.13	2.44	0.75	0.4
1"	0.98	1.81	2.56	2.87	0.87	0.4
1-1/4"	1.26	2.36	3.07	3.27	1.1	0.9
1-1/2"	1.5	2.76	3.46	3.66	1.24	1.3
2"	1.93	3.11	4	4.21	1.57	1.8
2-1/2"	2.52	3.98	4.74	4.98	1.81	3.1
3"	3.07	4.29	5.24	5.56	1.93	4.4
4"	3.86	5.28	6.46	6.75	2.36	6.6

unit:in

ITEM	PARTS	MATERIAL
1	BODY	ASTM A351-CF8M 1.4408
2	DISC	ASTM A240-316
3	CAP	
4	SPRING	SUS 316



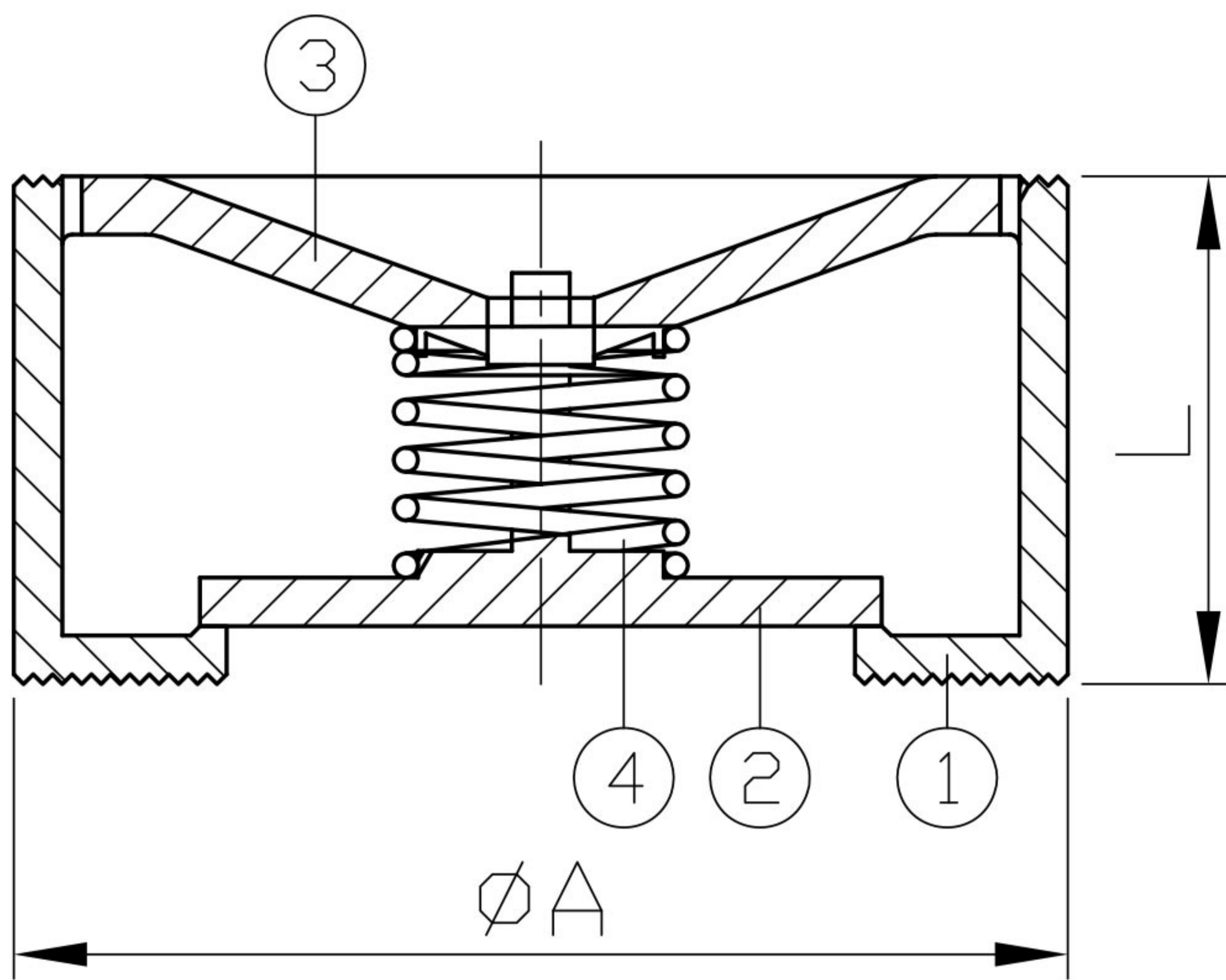
ITEM	PARTS	MATERIAL
1	BODY	ASTM A351-CF8M 1.4408
2	DISC	
3	CAP	
4	SPRING	SUS 316

DN	A	L	Weight Kg
125	190	90	10
150	218	105	13
200	273	140	24
250	345	150	35
300	410	160	50

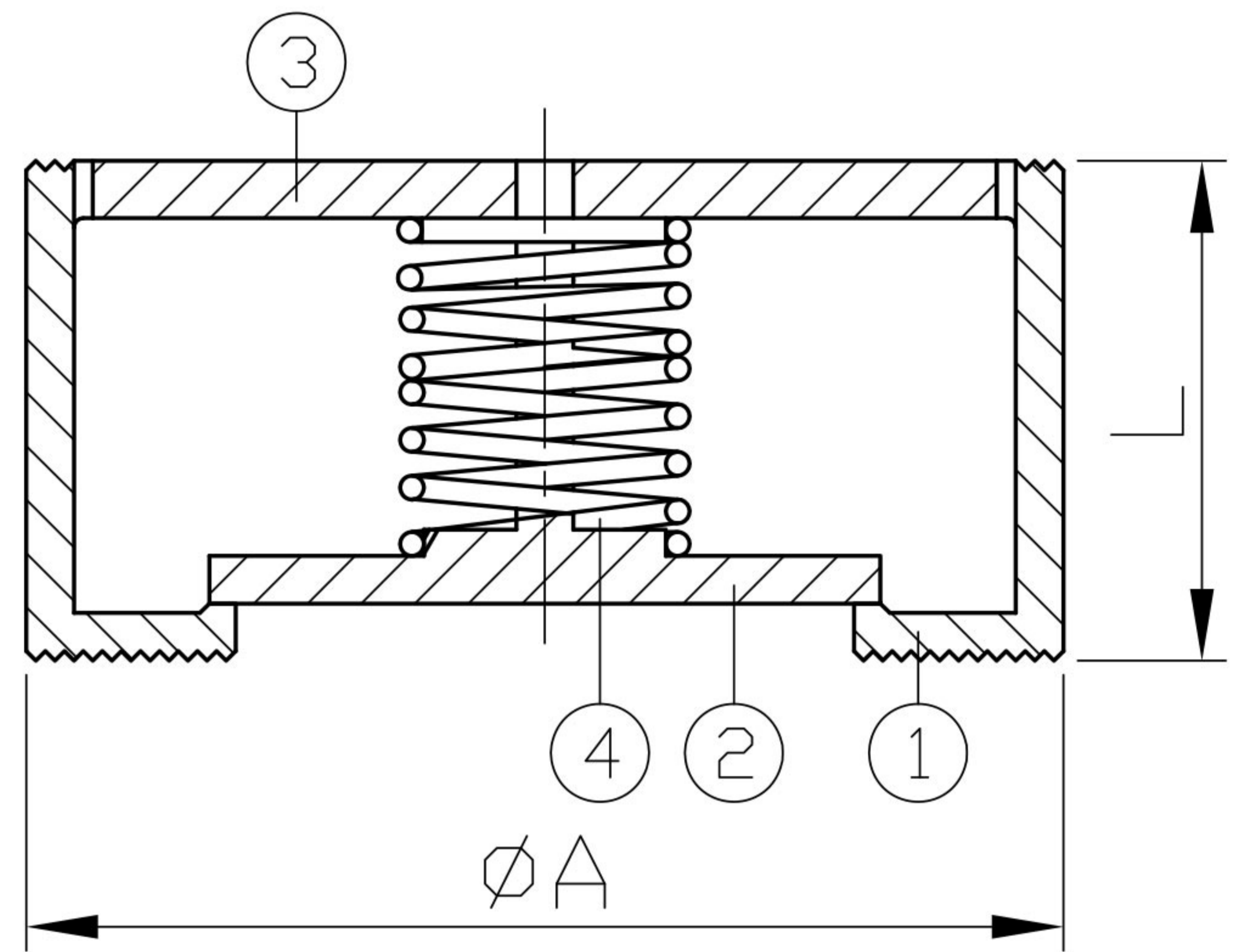
unit:mm

DN	A	L	Weight Lb
5"	7.48	3.54	22
6"	8.58	4.13	28.7
8"	10.75	5.51	52.9
10"	13.58	5.91	77.2
12"	16.14	6.3	110.2

unit:in



5"~6"



8"~12"