



MACNEIL STEEL AND VALVES (PTY) LTD



# LT 2014 WAFER TYPE BUTTERFLY VALVE

+27 (011) 822 1802

[www.msv.co.za](http://www.msv.co.za)

1575 Staal Rd, Knights,  
Germiston, Gauteng, SA

# LT-2014

**LT 2014 Wafer Type Butterfly valve, Epoxy Coated Ductile Iron body, 316 Stainless steel Disc, EPDM liner, PN16, Lever and Gearbox operated**

**Specifications:**

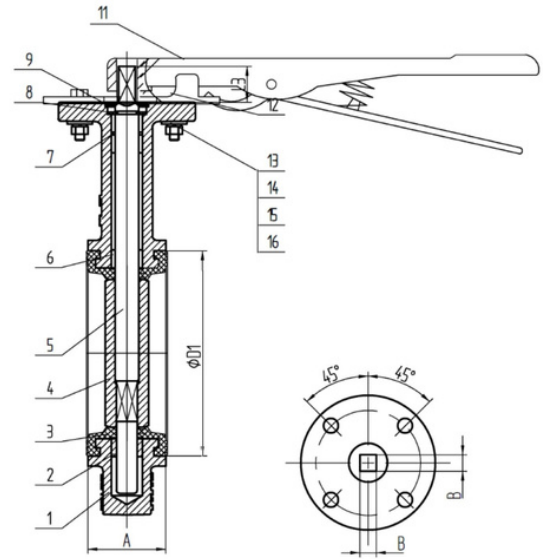
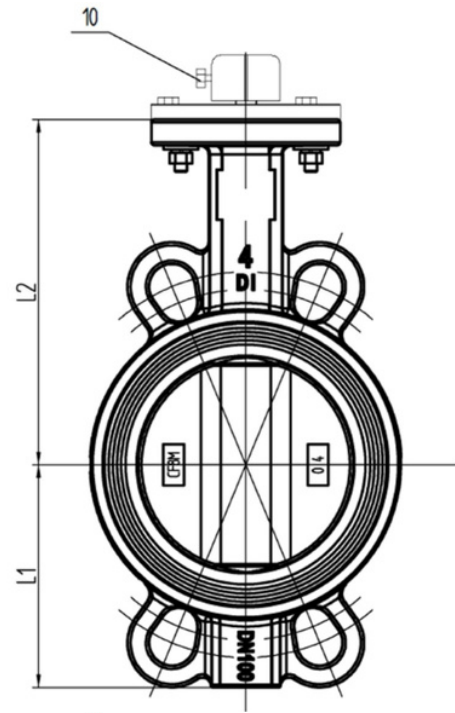
1. Design and manufacture according to BS5155.
2. Face to face according to API609
3. Will suit Class150/PN10/PN16/TD flanges
4. Top flange drilling according to ISO5211.
5. Pressure test according to API598.

**Technical Data – Pressure test:**

- Nominal Pressure: PN16 PN10
- Shell Test Pressure: 24 Bar 15 Bar
- Sealing Test Pressure: 17.6 Bar 11 Bar

**Lever operated**

No.	Name	QTY	Material
1	Body	1	Ductile Iron
2	Bushing	4	PTFE
3	Seat	1	EPDM
4	Disc	1	CF8M
5	Stem (Lower)	1	SS410
6	Bushing	4	PTFE
7	“O” Ring	1	NBR
8	Shim	1	SS201
9	Hole Circlips	1	45#
10	Bolt	1	SS201
11	Handle	1	GGG40
12	Disc	1	GGG40
13	Bolt	2	SS201
14	Spring Gasket	2	SS201
15	Nut	2	SS201
16	Flat Cushion	2	SS201

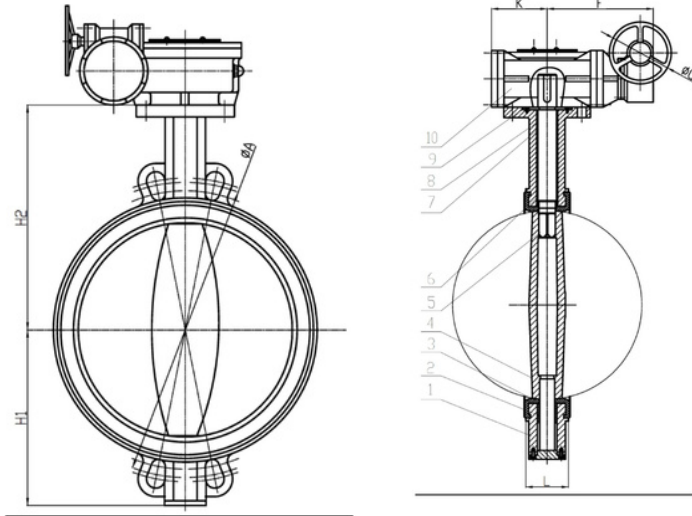


DN	A	D1	L1	L2	L3	B	Torque N.m.	Weight KG	ISO5211	Gearbox Ratio	
2"	DN50	45	73.3	72	132	24	9	15	2.65	F05	6
2.5"	DN65	49	86	80	138	24	9	17	3.1	F05	6
3"	DN80	49	100.9	95	153	24	9	35	3.6	F05	6
4"	DN100	55	132	108	167	24	11	41	4.95	F07	6
5"	DN125	58.5	156	125	183	24	14	68	6.3	F07	6
6"	DN150	59	185.4	136	195	24	14	88	7.55	F07	6
8"	DN200	64.5	235.2	170	236	30	17	165	12.85	F10	7.5
10"	DN250	72	289.4	206	268	30	22	260	18.6	F10	7.5
12"	DN300	82	341.2	236	306	30	22	410	33.5	F10	12.5



### Gearbox operated 350MM – 600MM

No.	Name	QTY	Material
1	Body	1	Ductile Iron
2	Bushing	4	PTFE
3	Seat	1	EPDM
4	Disc	1	CF8M
5	Stem (Lower)	1	SS416
6	Bushing	4	PTFE
7	"O" Ring	1	NBR
8	Shim	1	SS201
9	Hole Circlips	1	SS201
10	Gearbox	1	GGG40

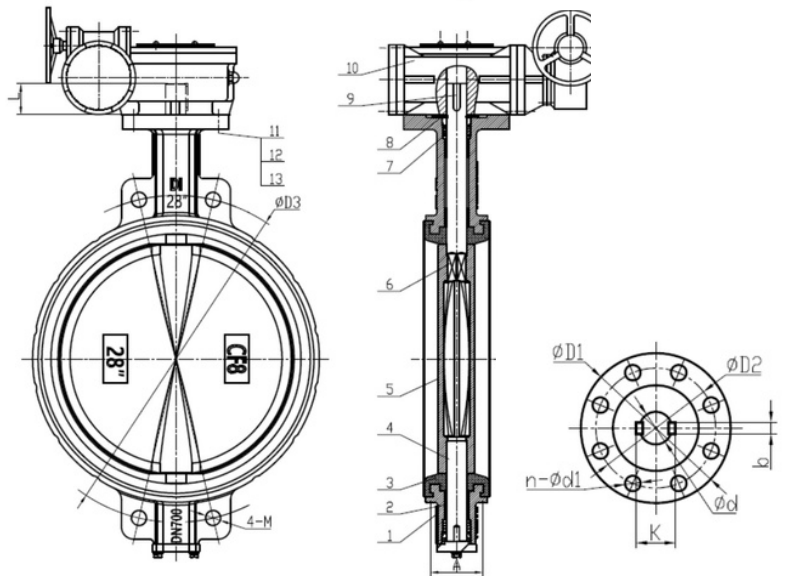


DN	H1	H1	L	K	F	ØG	ØA	Weight KG	Torque	Gearbox Ratio
14"	DN350	260	340	76.5	78	109	277	40	470	12.5
16"	DN400	304	400	85.7	110	220	285	69	900	133
18"	DN450	337	411	104.6	110	220	285	85	1000	133
20"	DN500	368	460	130.3	110	220	285	110	1200	133
24"	DN600	428	523	151.4	150	265	375	178	2300	160



### Gearbox operated 700MM – 800MM

No.	Name	QTY	Material
1	Body	1	Ductile Iron
2	Bushing	5	PTFE
3	Seat	1	EPDM
4	Stem (Lower)	1	SS431
5	Disc	1	CF8M
6	Stem (Upper)	1	SS431
7	Packing	2	EPDM
8	Hole Circlips	1	45#
9	Key	2	45#
10	Gearbox	1	GGG40
11	Bolt	8	SS201
12	Spring Gasket	8	SS201
13	Flat cushion	8	SS201



DN	A	L	Ød	ØD	ØD2	n-Ød1	N-b	K	ISO 5211	PN16 ØD3	4-M	PN10 ØD3	4-M	Torque N.m.	Weight KG	
28"	DN700	165	95	63.35	300	254	8-18	2-18	71.4	F25	840	M33	840	M27	6380	262
32"	DN800	190	95	63.35	300	254	8-18	2-18	71.4	F25	950	M36	950	M30	8400	336

