



MACNEIL STEEL AND VALVES (PTY) LTD



MSV CL2C LIGHT
INDUSTRIAL PATTERN
WEDGE GATE VALVE
NON RISING SPINDLE
PN10/PN16

+27 (011) 822 1802

www.msv.co.za

1575 Staal Rd, Knights,
Germiston, Gauteng, SA

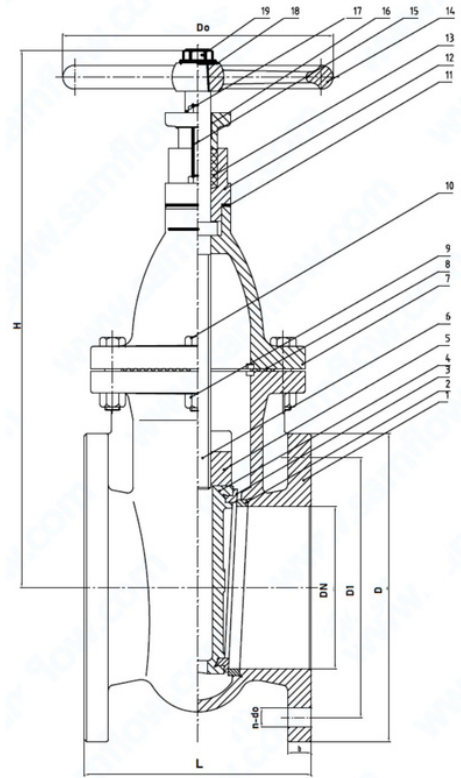


MACNEIL STEEL AND VALVES (PTY) LTD

MSV CL2C LIGHT INDUSTRIAL PATTERN WEDGE GATE VALVE, NON RISING SPINDLE, PN10/PN16, EPOXY COATED DUCTILE IRON BODY, FLANGED, HANDWHEEL OPERATED

SPECIFICATIONS:

- Epoxy Coated Cast Iron Body
- Non Rising spindle
- PN10 / PN16
- Brass Seats
- Flanged T1000 or Un-drilled
- Handwheel operated
- Clockwise Closing



NO.	PART	MATERIAL	QTY
1	Body	GG25 Cast Iron	1
2	Body Ring	Bronze	2
3	Disc Ring	Bronze	2
4	Disc	GG25 Cast Iron	1
5	Stem Nut	Brass	1
6	Stem	2CR13	1
7	Bonnet	GG25 Cast Iron	1
8	Gasket	Graphite	1
9	Nut	Steel	6
10	Bolt	Steel	6
11	Gasket	Graphite	1
12	Gland	GGG50	1
13	Packing	Graphite	
14	Hand Wheel	GG25 Cast Iron	1
15	Bolt	Steel	2
16	Gland Follower	GGG50	1
17	Nut	Steel	4
18	Washer	Steel	1
19	Top Bolt	Steel	1

PERFORMANCE STANDARD	
Nominal Pressure (MPa)	1.6
Testing Pressure (MPa)	2.4
Seal	1.7
Working Pressure (MPa)	1.6
Suitable Temperature	+/- 80 °C
Suitable Medium	Raw Sewage / Water



DN	L	H	Do	D	D1	b	n-do	Torque	Weight (Kg)
50mm	146	280	160	165	114	16	4-18	55	15
65mm	159	318	160	185	127	16	4-18	71.5	20
80mm	165	354	160	200	146	18	8-18	88	25
100mm	171	392	200	220	178	18	8-18	110	33
125mm	190	445	250	250	210	20	8-18	137.5	45
150mm	210	498	250	285	235	20	8-22	165	61
200mm	241	580	320	340	292	22	12-22	220	86
250mm	273	692	320	405	356	24	12-26	275	138
300mm	305	780	320	460	406	26	12-26	330	186

+27 (011) 822 1802

www.msv.co.za

1575 Staal Rd, Knights, Germiston, Gauteng, SA