




MACNEIL STEEL AND VALVES (PTY) LTD



# MSV-GATE- 125-DI

 +27 (011) 822 1802

 [www.msv.co.za](http://www.msv.co.za)

 1575 Staal Rd, Knights, Germiston,  
Gauteng, SA

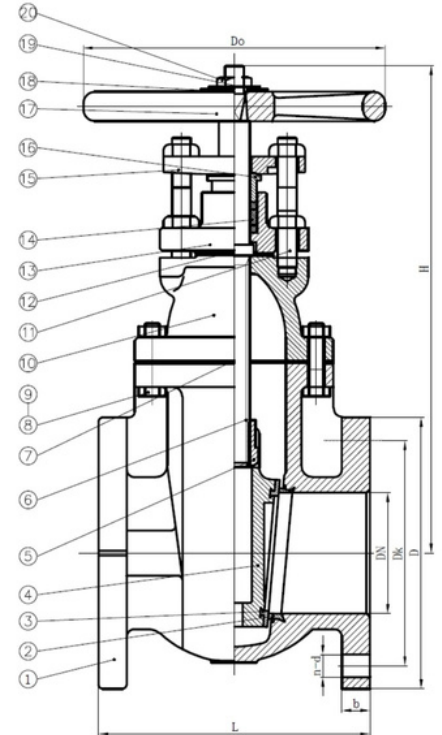
## MSV-GATE-125-DI

MSV Wedge Gate valve, Class 125, Ductile Iron Body, Stainless steel trim, Non Rising spindle, Clockwise closing, flanged CL125 Un-drilled, Handwheel operated

### Specifications:

- Flanges drilled To ANSI B16.1 (125lb)
- Face to face dimensions conform to ANSI B16.10 (125lb)
- Working Pressure 200WOG
- Suitable Media: Water, Oil, Gas

No	PART	MATERIAL
1	Body	DUCTILE IRON
2	SEAT RING	STAINLESS STEEL SS410
3	WEDGE FACE RING	STAINLESS STEEL SS410
4	WEDGE	DUCTILE IRON
5	WEDGE NUT	CAST BRASS
6	STEM	STAINLESS STEEL SS410
7	BODY GASKET	GRAPHITE
8	BOLTS	STEEL
9	NUTS	STEEL
10	BONNET	DUCTILE IRON
11	GLAND FOLLOWER BOLTS	STEEL
12	STUFFING BOX GASKET	GRAPHITE
13	STUFFING BOX	CAST IRON
14	PACKING	GRAPHITE
15	GLAND FOLLOWER	DUCTILE IRON
16	PACKING GLAND	CAST BRASS
17	HANDWHEEL	CAST IRON
18	IDENTIFICATION PLATE	ALUMINIUM
19	WASHER	STEEL
20	HANDWHEEL NUT	STEEL



MAIN DIMENSIONS (mm)							
DN	L	Dk	D	B	n-d	Do	H
2"	178	121	152	15.9	4-19	178	289
2.5"	190.5	140	178	17.5	4-19	178	323
3"	203.2	152.5	190	19.1	4-19	178	338
4"	228.6	190.5	228.6	23.5	8-19	254	411
5"	254	215.9	254	23.8	8-22	300	503
6"	266.7	241.3	279.4	25.4	8-22	300	558
8"	292	298.5	343	28.6	8-22	348	650
10"	330	362	406	30.2	12-25	400	770
12"	356	432	483	31.8	12-25	457	861