



MACNEIL STEEL AND VALVES (PTY) LTD



MSV-RSV-665
SABS 665 RISING
SPINDLE RESILIENT
SEAL GATE VALVE
PN25

+27 (011) 822 1802

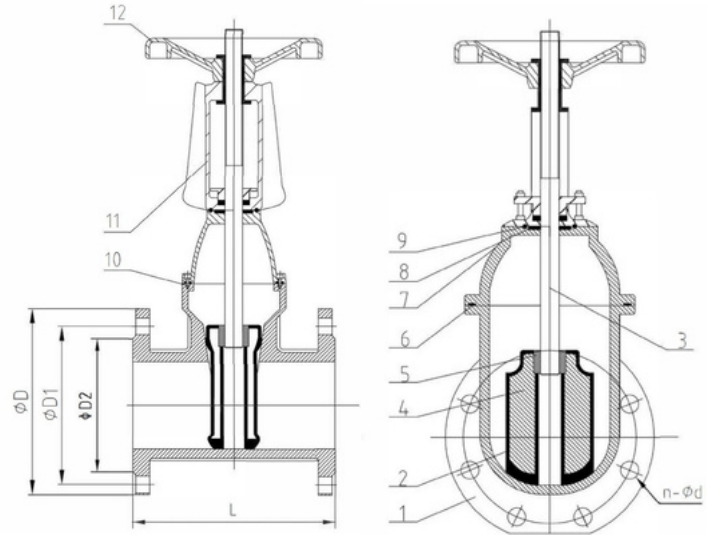
www.msv.co.za

1575 Staal Rd, Knights,
Germiston, Gauteng, SA

MSV-RSV-665-PN25 – SABS 665 RISING SPINDLE RESILIENT SEAL GATE VALVE PN25

SPECIFICATIONS:

- SABS 665
- DUCTILE IRON BODY
- EPOXY COATED INSIDE AND OUT
- PN25
- RISING SPINDLE
- EPDM RUBBER ENCAPSULATED DISC
- FLANGED
- HANDWHEEL OPERATED, CLOCKWISE CLOSING
- AVAILABLE WITH A RUBBER LINED BODY



PERFORMANCE STANDARDS

Nominal Pressure (MPa)	2.5
Testing Pressure (MPa)	Body 3.75
	Seal 2.75
Working Pressure (MPa)	2.5
Suitable Temperature	+/-100 °C
Suitable Medium	Raw Sewage / Water

Nominal Diameter	Main Dimensions (mm)				
	DN	L	D	D1	D2
50	178	165	125	99	4 – 19
65	190	185	145	118	8 – 19
80	203	200	160	132	8 – 19
100	229	235	190	156	8 – 23
125	254	270	220	184	8 – 28
150	267	300	250	211	8 – 28
200	292	360	310	274	12 – 28
250	330	425	370	330	12 – 31
300	356	485	430	330	16 – 31
350	381	555	490	448	16 – 34
400	406	620	550	503	16 – 37
450	432	670	600	548	20 – 37
500	457	730	660	609	20 – 37
600	508	845	770	720	20 – 41

NO	PART NAME	MATERIAL
1	Body	GGG40 Ductile Iron
2	Seat	EPDM
3	Shaft	SS416
4	Disc	Ductile Iron
5	Wedge Nut	Ductile Iron
6	Bonnet Gasket	EPDM
7	Bonnet	Ductile Iron
8	Packing	Flexible Graphite
9	Sealing Ring	EPDM
10	Socket Head Screw	CS
11	Yoke	Ductile Iron
12	Hand Wheel	Ductile Iron



+27 (011) 822 1802

www.msv.co.za

1575 Staal Rd, Knights,
Germiston, Gauteng, SA

MSV-RSV-665 SABS 665 RISING SPINDLE RESILIENT SEAL GATE VALVE PN25