



**STAINLESS STEEL
SWING CHECK VALVE
BSP THREADED**

MSV.CO.ZA

DESCRIPTION

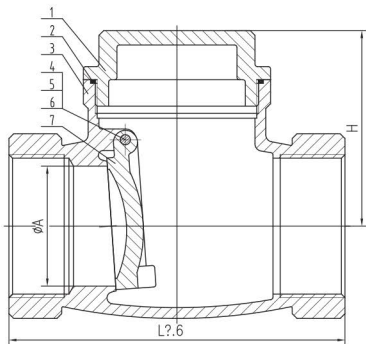
316 Stainless Steel Swing Check Valve, BSP threaded 200 psi Rated.

FEATURES

- ✔ Pressure Rating 200 psi
- ✔ Investment Casting
- ✔ Threaded Ends Conform to BSP

DIMENSION TABLE

ITEM	SIZE	1/2'	3/4'	1'	1 1/4'	1 1/2'	2'	2 1/2'	3'
A		15	20	25	32	40	50	65	80
L		64.5	79.5	89.5	104	119	138.5	161	186
H		42.5	52	61.5	63	71.5	75.5	93	104
Weight		0.37	0.43	0.66	0.93	1.5	2.15	5.27	7.7



MAIN PARTS AND MATERIALS

NO	PART NAME	MATERIAL
1	Cap	CF8M
2	Gasket	PTFE
3	Body	CF8M
4	Hanger Pin	316
5	Bold	B8
6	Gasket	PTFE
7	Disc	CF8M