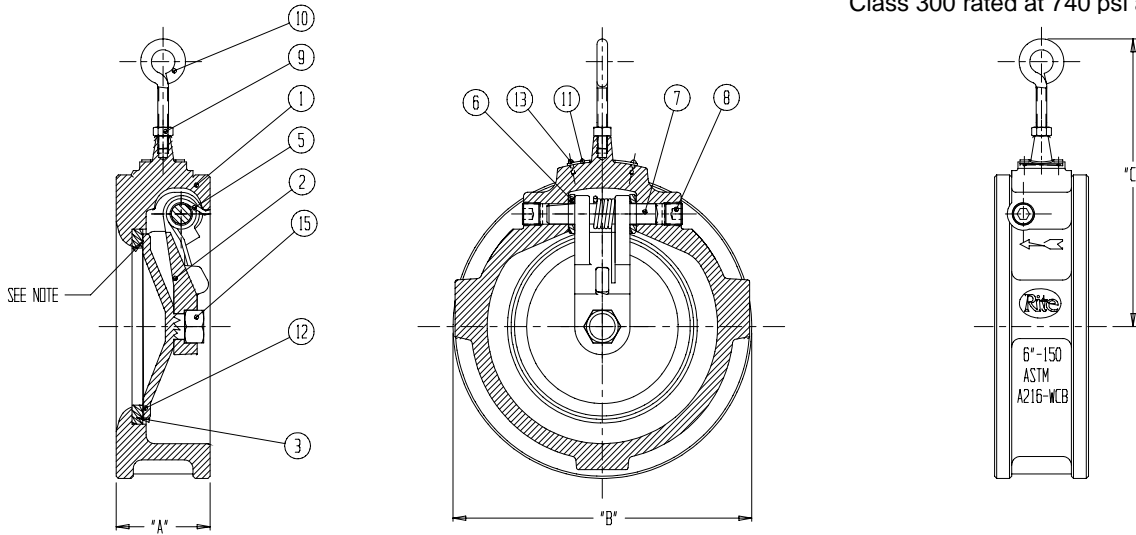




Designed to meet ANSI 16.34.
Class 150 rated at 285 psi at 100° F.
Class 300 rated at 740 psi at 100° F.



Note : Optional deposit stellite #6 on disc seat contact faces.

Item	Description	Standard Material
1	Body	ASTM A216-WCB
2	Hinge	ASTM A351-CF8M
3	Seat	ASTM A240-304
5	Spring	ASTM A313-316
6	Spacer	ASTM A479-316
7	Pin	ASTM A479-316
8	Plug	Steel

Item	Description	Standard Material
9	Lock Nut	Steel Zinc Plated
10	Eye Bolt	Steel Zinc Plated
11	Name Plate	Aluminium
12	Disc	ASTM A351-CF8M
13	Rivet	Steel Cad. Plated
15	Disc Nut	Stainless Steel

Nominal Pipe Size		A		B Class 150		B Class 300		C		D		Weight	
Inch	mm	Inch	mm	Inch	mm	Inch	mm	Inch	mm	Inch	mm	lbs	kg
2	50	1.75	44.5	4.13	104.8	4.38	111.1	4.25	108	1.19	30	3.5	1.6
2 1/2	65	1.88	47.6	4.88	123.8	5.13	130.2	4.50	114	1.50	38	5.0	2.3
3	80	2.00	50.8	5.38	136.5	5.88	149.2	5.00	127	1.69	43	6.5	2.9
4	100	2.25	57.2	6.88	174.6	7.13	181.0	5.75	146	2.44	62	11.6	5.3
5	125	2.50	63.5	7.75	196.9	8.50	215.9	6.50	165	3.38	86	15.5	7.0
6	150	2.75	69.9	8.75	222.3	9.88	250.8	7.25	184	4.25	108	20.6	9.4
8	200	2.88	73.0	11.00	279.4	12.13	308.0	8.25	210	5.38	136	33.0	15.0
10	250	3.13	79.4	13.38	339.7	14.25	362.0	9.63	244	7.00	178	48.5	22.0
12	300	3.38	85.7	16.13	409.6	16.63	422.3	10.75	273	8.13	206	72.8	33