



MACNEIL STEEL AND VALVES (PTY) LTD



# SWING CHECK VALVE CLASS 150/300

+27 (011) 822 1802

[www.msv.co.za](http://www.msv.co.za)

1575 Staal Rd, Knights,  
Germiston, Gauteng, SA

## SWING CHECK VALVE CLASS 150 / 300

**MSV CLASS 150 AND CLASS 300 FLANGED RF SWING CHECK VALVE, BODY AND BOLTED COVER - ASTM A216 WCB, F6 13% CHROME TRIM, CONFORMS TO API 6D**

### SPECIFICATIONS:

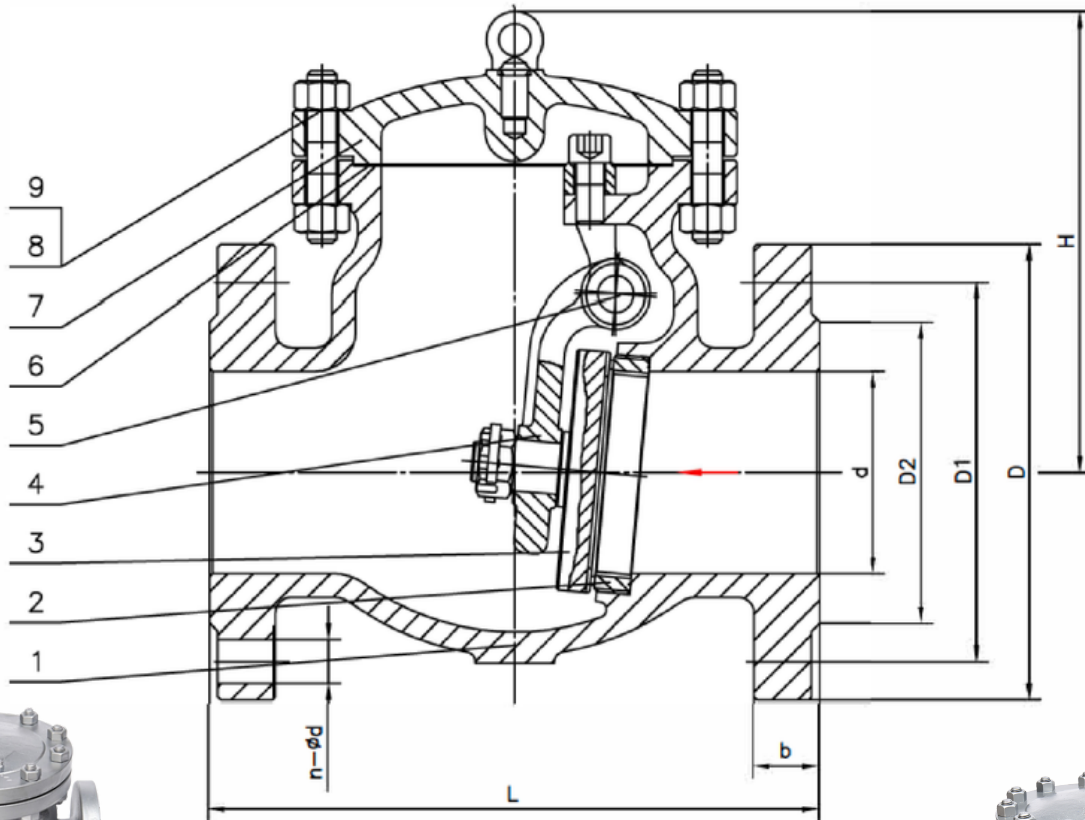
- Material: Body: A216 WCB / A351 CF8M
- Trim: Trim 1 F6 13% Chrome
- Design and Manufacture: BS1868
- Face to face dimensions According to ANSI B16.10
- Flanged End dimensions According to ANSI B16.5
- Pressure Test According to API598
- Conform to API 6D

NO	PART NAME	MATERIAL FOR WCB	MATERIAL FOR CF8M
1	Body	ASTM A216 WCB	ASTM A351 CF8M
2	Seat Ring	ASTM A105+13Cr	SS316
3	Disc	A216 WCB + 13Cr	A351 CF8M
4	Hinge	ASTM A216 WCB	ASTM A351 CF8M
5	Hinge Pin	ASTM A276 410	ASTM A276 316
6	Gasket	SS304 + Graphite	SS316 + Graphite
7	Cover	ASTMA216 WCB	ASTM A351 CF8M
8	Cover Bolt	ASTM A193 B7	ATM A193 B8M
9	Cover Nut	ASTM A194 2H	ASTM A194 8M



Nominal Diameter		Main Dimensions (mm) CLASS 150							
inch	mm	d	D	D1	D2	b	n - $\phi$ d	L	H
2"	50	51	152	120.7	92	16	4 - $\phi$ 19	203	153
2 1/2"	65	64	178	139.7	105	18	4 - $\phi$ 19	216	165
3"	80	76	190	152.4	127	19	4 - $\phi$ 19	241	179
4"	100	102	229	190.5	157	24	8 - $\phi$ 19	292	205
5"	125	127	254	215.9	186	24	8 - $\phi$ 22	330	256
6"	150	152	279	241.3	216	26	8 - $\phi$ 22	356	292
8"	200	203	343	298.5	270	29	8 - $\phi$ 22	495	313
10"	250	254	408	362.0	324	31	12 - $\phi$ 26	622	397
12"	300	305	483	431.8	381	32	12 - $\phi$ 26	698	465
14"	350	337	533	476.3	413	35	12 - $\phi$ 29	787	501
16"	400	387	597	539.8	470	37	16 - $\phi$ 29	864	530
18"	450	438	635	577.9	533	40	16 - $\phi$ 32	978	590
20"	500	489	699	635.0	584	43	20 - $\phi$ 32	978	660
24"	600	591	813	749.3	692	48	20 - $\phi$ 35	1295	750

Nominal Diameter		Main Dimensions (mm) CLASS 300							
inch	mm	d	D	D1	D2	b	n - $\phi$ d	L	H
2"	50	51	165	127.0	92	23	8 - $\phi$ 19	267	155
2 1/2"	65	64	190	149.2	105	26	8 - $\phi$ 22	292	187
3"	80	76	210	168.3	127	29	8 - $\phi$ 22	318	236
4"	100	102	254	200.0	157	32	8 - $\phi$ 22	358	280
5"	125	127	279	235.0	186	35	8 - $\phi$ 22	400	324
6"	150	152	318	269.9	216	37	12 - $\phi$ 22	444	387
8"	200	203	381	330.2	270	42	12 - $\phi$ 26	533	445
10"	250	254	445	387.4	324	48	16 - $\phi$ 29	622	478
12"	300	305	521	450.8	381	51	16 - $\phi$ 32	711	485
14"	350	337	584	514.4	413	54	20 - $\phi$ 32	838	530
16"	400	387	648	571.5	470	58	20 - $\phi$ 35	864	740
18"	450	432	711	628.6	533	61	24 - $\phi$ 35	978	785
20"	500	483	775	685.8	584	64	24 - $\phi$ 35	1016	850
24"	600	584	914	812.8	692	70	24 - $\phi$ 41	1346	921



+27 (011) 822 1802

[www.msv.co.za](http://www.msv.co.za)

1575 Staal Rd, Knights,  
Germiston, Gauteng, SA

**SWING CHECK VALVE CLASS 150/300**