

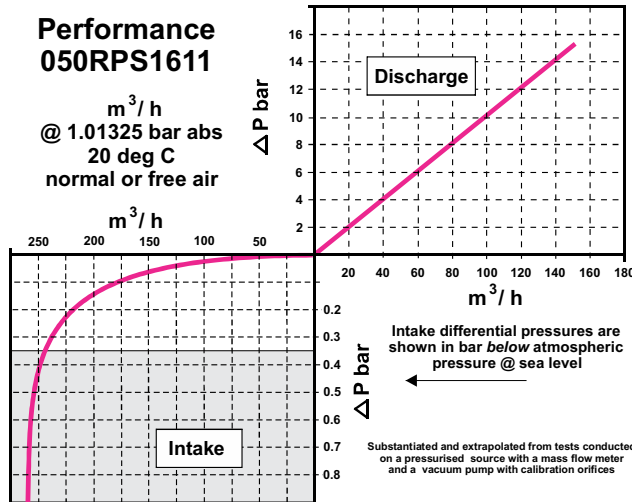
World Class Performance
in Abrasive, Scaling and
Corrosive Slurries, Sludge,
Liquids, and Bulk Solids



SERIES RPS

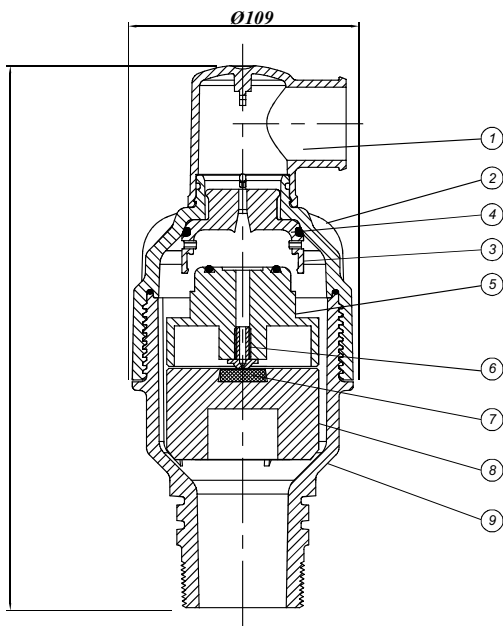


Ventomat Series RPS 50 mm Air release and vacuum breaking



Caution

The VENTOMAT valve is specifically designed to limit the large discharges associated with the large orifice .
 When evaluating the large orifice performance of **other valve manufacturer** ask specifically if the large orifice discharge data quoted is in the presence of water . In other words if the discharge performance is quoted as say 400 meters cubed / Hr @ 0.8 Bar the valve must be able to close instantaneously with water and still not exceed its max test pressure rating of 24 Bar (1.5 times working pressure)



Parts

Item	Description	Material
1	Outlet	Polypropylene
2	Upper Body	Polypropylene reinforced
3	"Anti-shock" Device	Polypropylene
4	O - Rings	EPDM
5	Upper Float	Polyethylene
6	Nozzle	Stainless Steel/ Nylon
7	Nozzle Seat	EPDM
8	Lower Float	Polyethylene
9	Lower Body	Polypropylene reinforced

Benefits

- Simple efficient action
- Reduces water hammer
- Multifunction versatile product
- Ensures maximum protection
- UV stabilised
- Robust lightweight and compact

Specifications

Operating pressure	0.2 to 16 Bar
Media	Drinkable water 4 - 85 Deg C
Inlet	2 Inch BSP Male (taper)
Outlet	Rotatable 360 deg for 43 ID pipe
Mass	0.94 kg
Areas (mm ²)	Large orifice 800 , small orifice 0.44

Ordering information

050RPS1611	Standard - 2 inch BSP 16 bar
050RPSb1611	Pump start- Large orifice in small orifice out
050RPSv1611	For syphon- both orifices out only

Ventomat Series RPS 25 mm and 15 mm Air Release only

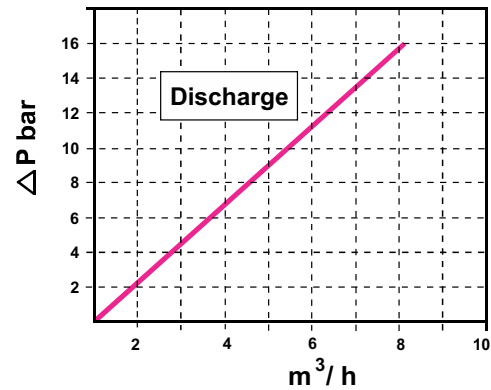
Performance

025RPS1611

015RPS1611

m³ / h
@ 1.01325 bar abs
20 deg C
normal or free air

Substantiated and extrapolated from tests conducted on a pressurised source with a mass flow meter



Parts

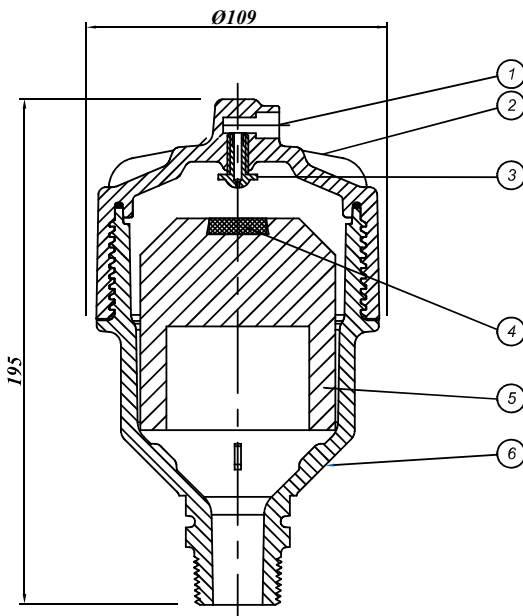
Item	Description	Material
1	Outlet	(Part of upper body)
2	Upper Body	Polypropylene reinforced
3	Nozzle	Stainless steel /Nylon
4	Nozzle Seat	EPDM
5	Control Float	Polyethylene
6	Lower Body	Polypropylene reinforced

Specifications

Operating pressure	0.2 to 16 Bar
Media	Drinkable water 4 - 85 Deg C
Inlet	½ and 1 Inch BSP Male (taper)
Mass	0.8 kg
Area (mm) ²	Small orifice 0.44
Outlet	1.2 mm Dia
Outlet (options)	External pipe min 5 mm dia ID (Press in fitting) hole 9.7 mm dia ID

Ordering information

015RPS1611	Standard - ½ inch BSP 16 bar
025RPS1611	Standard - 1 inch BSP 16 bar
000RPS01	Press in fitting for ext tube - nylon



Benefits

- Simple efficient action
- Reduces water hammer
- Multifunction versatile product
- Ensures maximum protection
- UV stabilised
- Robust lightweight and compact

VENT-O-MAT[®]



VENT-O-MAT[®]

DFC
DYNAMIC
FLUID CONTROL

The Americas Operations

RF Valves Inc.
1342-A Charwood Road
Hanover, MD 21076, USA
Tel: +1-410-850-4404 Fax: +1-410-850-4464
email: contact@rfvalve.com
www.rfvalve.com

European Operations

RF Valves, Oy.
Tullitie 9,
53500 Lappeenranta, Finland
Tel: +358-20-758-1790 Fax: +358-20-785-1799
email: rfvalves@rftek.fi
www.rfvalve.com

African Operations

Dynamic Fluid Control (Pty) Ltd
32 Lincoln Road,
Industrial Sites, Benoni South, South Africa
Tel: +27-11-748-0200 Fax: +27-11-421-2749
email: dfc@dfc.co.za
www.dfc.co.za

Brazil Operations

Aveng Industria e Comercio de Valvulas do Brasil Ltda
Address: Rua Álvaro da Silveira, 40 - Santa Margarida
Belo Horizonte - Minas Gerais, Brasil
Tel : +55-31-3658-3656
Email address: rfq@rfvalve.com
www.rfvalve.com

Australian Operations - NSW

5 Vangeli St, Arndell Park, NSW, 2148
P.O. Box 156, Seven Hills, NSW, 1730
Tel: +61-2-8814-9699
Fax: +61-2-8814-9666
Email: sales@ventomat.com.au
Website: www.ventomat.com.au