



MACNEIL STEEL AND VALVES (PTY) LTD



X-PN10 SS BUTTERFLY VALVE

+27 (011) 822 1802

www.msv.co.za

1575 Staal Rd, Knights,
Germiston, Gauteng, SA

MSV MODEL X-PN10 STAINLESS STEEL BUTTERFLY VALVE

MSV Model X-PN10 SS Wafer Type Butterfly Valve, 316 Stainless Steel Body and Disc, PTFE Liner, PN10 Lever Operated up to 150 mm, Gear Operated from 200 mm up.

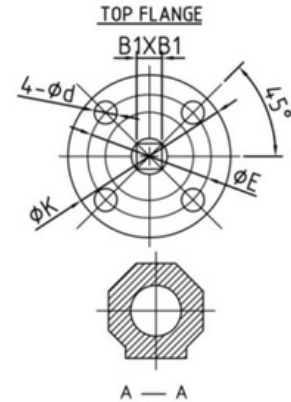
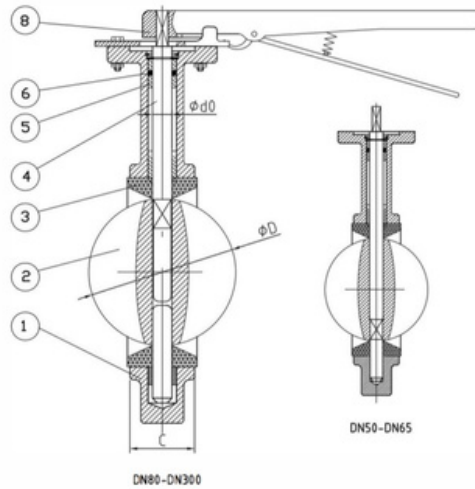
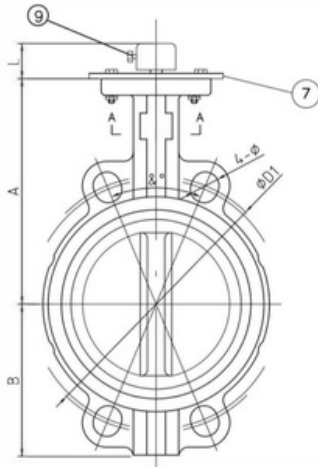
FEATURES

- ✓ 316 Stainless Steel Body and Disc
- ✓ PTFE Liner
- ✓ Gearbox Operated from 200 mm
- ✓ Integrated Type
- ✓ PN10 Rated



NO.	PARTS NAME	MATERIAL	QTY
1	BODY	A351 CF8M	1
2	DISC	A351 CF8M	1
3	SEAT	PTFE	1
4	STEM	SS431	1
5	BUSHING	PTFE	4
6	O-RING	NBR	1
7	INDICATOR	CARBON STEEL	1
8	LEVER	MALLEABLE IRON	1
9	BOLT	CARBON STEEL	1

TEST PRESSURE	HYDROSTATIC	SHELL	SEAL
	AIR	15 kg / cm ²	11 kg / cm ²
STANDARD	DESIGN CODE		BS 5155
	INSPECTION AND TEST		DIN 3230 PART 3
	END STANDARD		DIN PN10
	FACE TO FACE		DIN 3202 K1



SIZE	A	B	C	D	d0	ISO5211	K	E	4-d	L	D1	4-φ	φ°	B1	Torque N.M	Weight Kg
2"	140	80	42	52.9	12.6	F07	90	70	10	30	120.6	4-19	90°	11	45.2	3.1
2.5"	150	89	44.7	64.5	12.6	F07	90	70	10	30	139.7	4-19	90°	11	61	3.4
3"	158	95	45.2	78.8	12.6	F07	90	70	10	30	152.4	4-19	45°	11	81.8	3.8
4"	176	114	52	104	15.77	F07	90	70	10	30	190.5	4-19	45°	11	136	5.2
5"	190	127	54.4	123.3	18.92	F07	90	70	10	30	215.9	4-25.4	45°	14	202	7
6"	211	139	55.8	155.1	18.92	F07	90	70	10	30	241.3	4-25.4	45°	14	325	8.7
8"	235	175	60.6	202.5	22.1	F010	125	102	12	40	298.4	4-25.4	45°	17	617	14.5
10"	265	203	65.6	250.5	28.45	F010	125	102	12	40	316.9	4-25.4	30°	22	1026	21.1
12"	305	242	76.9	301.5	31.6	F010	125	102	12	40	431.4	4-25.4	30°	22	1493	31

MSV MODEL X-PN10 STAINLESS STEEL BUTTERFLY VALVE

MSV Model X-PN10 SS Wafer Type Butterfly Valve, 316 Stainless Steel Body and Disc, PTFE Liner, PN10 Lever Operated up to 150 mm, Gear Operated from 200 mm up.

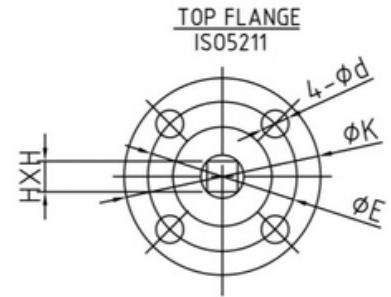
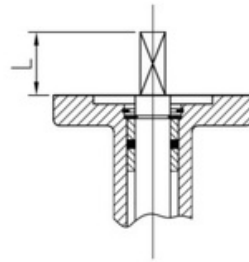
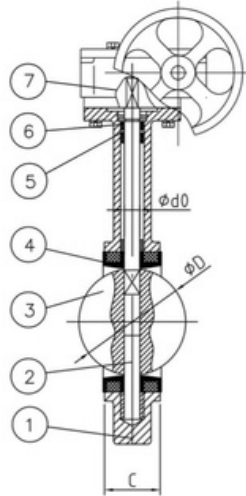
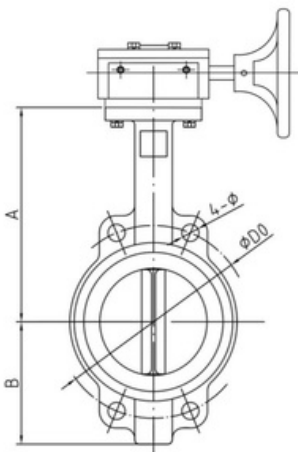
FEATURES

- ✓ 316 Stainless Steel Body and Disc
- ✓ PTFE Liner
- ✓ Gearbox Operated from 200 mm
- ✓ Integrated Type
- ✓ PN10 Rated



NO.	PARTS NAME	MATERIAL	QTY
1	BODY	A351 CF8M	1
2	DISC	A351 CF8M	1
3	SEAT	PTFE	1
4	STEM	SS431	1
5	BUSHING	PTFE	4
6	O-RING	NBR	1
7	INDICATOR	CARBON STEEL	1
8	LEVER	MALLEABLE IRON	1
9	BOLT	CARBON STEEL	1

TEST PRESSURE	HYDROSTATIC	SHELL		SEAL
		AIR	15 kg / cm ²	
STANDARD	DESIGN CODE	BS 5155		
	INSPECTION AND TEST	DIN 3230 PART 3		
	END STANDARD	DIN PN10		
	FACE TO FACE	DIN 3202 K1		



SIZE	A	B	C	D	d0	ISO5211	K	E	4-d	L	D1	4-φ	α°	HxH	Weight Kg
2"	161	70	42	52.9	12.6	F05	65	50	7	26	125	4-18	90°	11	6
2.5"	175	75	44.7	64.5	12.6	F05	65	50	7	26	145	4-18	90°	11	6.3
3"	181	95	45.2	78.8	12.6	F05	65	50	7	26	160	4-18	45°	11	6.7
4"	200	106	52	104	15.77	F07	90	70	10	30	180	4-18	45°	11	8.1
5"	213	127	54.4	123.3	18.92	F07	90	70	10	30	210	4-18	45°	14	9.9
6"	226	139	55.8	155.1	18.92	F07	90	70	10	30	240	4-22	45°	14	11.6
8"	260	175	60.6	202.5	22.1	F010	125	102	12	40	295	4-22	45°	17	20.3
10"	292	203	65.6	250.5	28.45	F010	125	102	12	40	350	4-25	30°	22	26.9
12"	337	242	76.9	301.5	31.6	F010	125	102	12	40	400	4-25	30°	22	38.5