

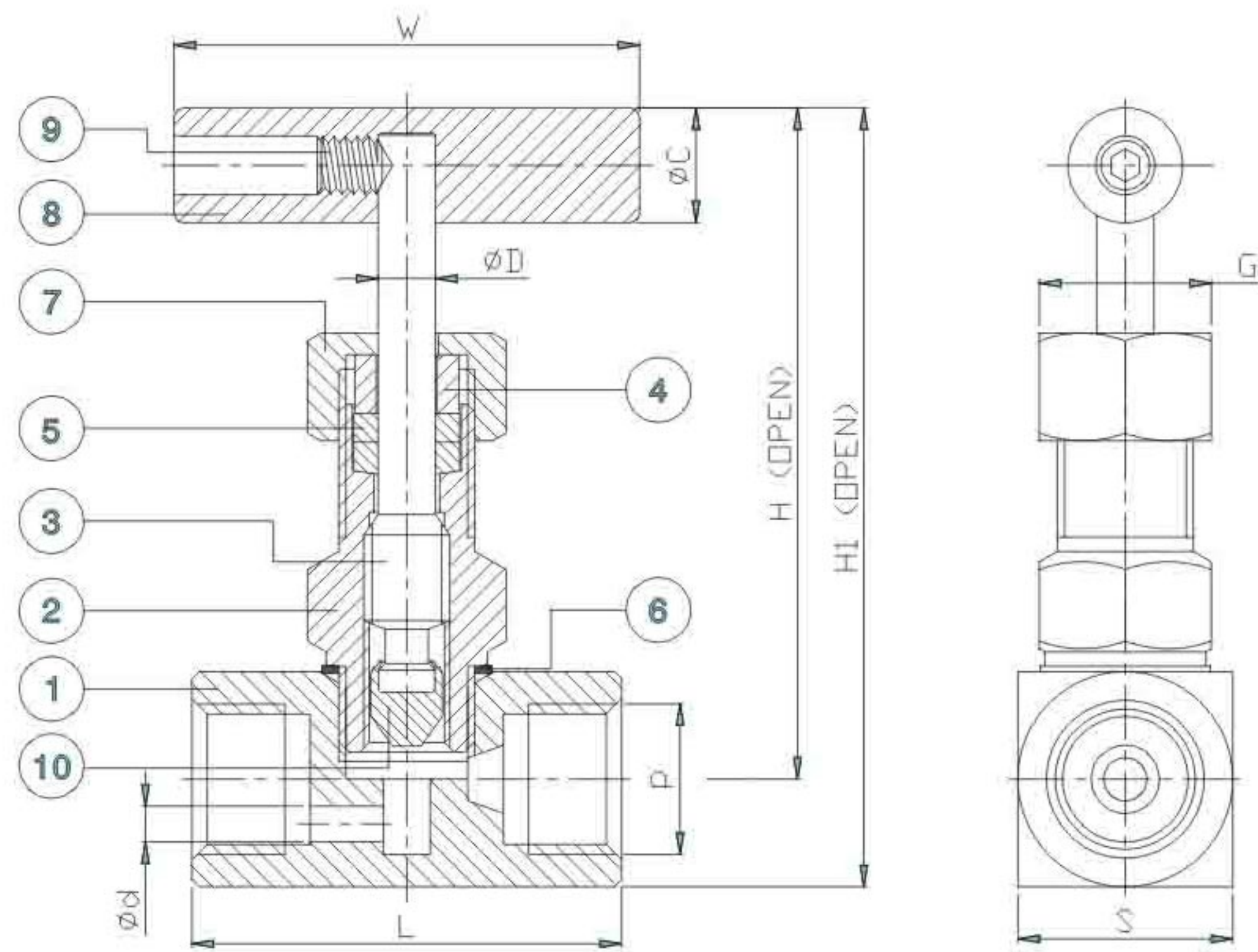


**MSV 2032
NEEDLE VALVE**

MSV.CO.ZA

FEATURES

- ✔ The thread ends conform to BSP
- ✔ PTFE packing
- ✔ Investment Casting



APPLICABLE STANDARD

TEST AND INSPECTION	AISI 598
---------------------	----------

ITEM	PARTS	MATERIAL
1	BODY	AISI 316
2	BONNET	AISI 316
3	STEM	AISI 316
4	GLAND RING	AISI 316
5	PACKING	PTFE
6	GASKET	PTFE
7	GLAND NUT	AISI 316
8	HANDLE	AISI 410
9	FIXING SCREW	ALLOY STEEL
10	DISC	AISI 316

DN	L	H	H1	W	d	D	S	C	G	P	Weight kg
4	45	70	82	60	3	7	22	13	21	1/8"	0.27
8	45	70	83	60	3	7	22	13	21	1/4"	0.27
10	50	72	85.4	60	3	7	25	13	21	3/8"	0.32
15	60	86	106.4	65	4	8	30	16	25	1/2"	0.53
20	65	92	111	65	5	8	35	16	24	3/4"	0.66
25	83	112	135	80	7	10	46	19	30	1"	1.4

Unit: mm

NPS	L	H	H1	W	d	D	S	C	G	P	Weight lb
1/8"	1.77	2.76	3.32	2.36	0.12	0.28	0.87	0.51	0.83	1/8"	0.60
1/4"	1.77	2.76	3.32	2.36	0.12	0.28	0.87	0.51	0.83	1/4"	0.60
3/8"	1.97	2.83	3.36	2.36	0.12	0.28	0.98	0.51	0.83	3/8"	0.71
1/2"	2.39	3.39	4.19	2.56	0.16	0.31	1.18	0.63	0.94	1/2"	1.17
3/4"	2.56	3.62	4.37	2.56	0.20	0.31	1.38	0.63	0.94	3/4"	1.45
1"	3.27	4.41	5.31	3.15	0.28	0.39	1.81	0.75	1.18	1"	3.09

Unit: in