

VENT-O-MAT®

CATALOGUE INDEX

CONTENT	PAGE
OPERATION -SERIES RBX	1-2
RECOMMENDED INSTALLATION ARRANGEMENTS -SERIES RBX	3
COMPONENT DESCRIPTION & MATERIAL SPECIFICATIONS - SERIES RBX DN25(1") & DN50(2") - Screwed	4
COMPONENT DESCRIPTION & MATERIAL SPECIFICATIONS - SERIES RBX DN80(3") & DN100(4") - Flanged	5
COMPONENT DESCRIPTION & MATERIAL SPECIFICATIONS - SERIES RBX DN150(6") & DN200(8") - Flanged	6
COMPONENT DESCRIPTION & MATERIAL SPECIFICATIONS - SERIES RBX DN25(1") & DN50(2") - Screwed	7
GENERAL SPECIFICATIONS - SERIES RBX DN80(3") & DN100(4") - Flanged	8
GENERAL SPECIFICATIONS - SERIES RBX DN150(6") & DN200(8") - Flanged	9
SELECTION & POSITIONING - SERIES RBX	10-12
SURGE & WATERHAMMER PROTECTION SERIES RBX	13-14
SMALL ORIFICE DISCHARGE PERFORMANCE	15
WHY VENT -O- MAT SERIES RBX ?	16
PURCHASE SPECIFICATIONS - SERIES RBX	17
ORDERING GUIDE & TEST SPECIFICATIONS - SERIES RBX	18
OPERATION - SERIES RBXb	19-20
RECOMMENDED INSTALLATION ARRANGEMENTS - SERIES RBXb	21
COMPONENT DESCRIPTION & MATERIAL SPECIFICATIONS - SERIES RBXb DN25(1") & DN50(2") - Screwed	22
COMPONENT DESCRIPTION & MATERIAL SPECIFICATIONS - SERIES RBXb DN80(3") & DN100(4") - Flanged	23
COMPONENT DESCRIPTION & MATERIAL SPECIFICATIONS - SERIES RBXb DN150(6") & DN200(8") - Flanged	24
COMPONENT DESCRIPTION & MATERIAL SPECIFICATIONS - SERIES RBXb DN25(1") & DN50(2") - Screwed	25
GENERAL SPECIFICATIONS - SERIES RBXb DN80(3") & DN100(4") - Flanged	26
GENERAL SPECIFICATIONS - SERIES RBXb DN150(6") & DN200(8") - Flanged	27
PURCHASE SPECIFICATIONS - SERIES RBXb	28
OPERATION - SERIES RBXv	29-30
COMPONENT DESCRIPTION & MATERIAL SPECIFICATIONS - SERIES RBXv DN50(1") & DN50(2") - Screwed	31
COMPONENT DESCRIPTION & MATERIAL SPECIFICATIONS - SERIES RBXv DN80(3") & DN100(4") - Screwed	32
COMPONENT DESCRIPTION & MATERIAL SPECIFICATIONS - SERIES RBXv DN150(6") & DN200(8") - Screwed	33
GENERAL SPECIFICATIONS - SERIES RBXv DN25(1") & DN50(2") - Screwed	34
GENERAL SPECIFICATIONS - SERIES RBXv DN80(3") & DN100(4") - Flanged	35
GENERAL SPECIFICATIONS - SERIES RBXv DN150(6") & DN200(8") - Flanged	36
PURCHASE SPECIFICATIONS - SERIES RBXv	37
ORDERING GUIDE - SERIES RBXb & RBXv	38

Series RBX OPERATION

PRE NOTES:

1. VENTING OF A FILLING PIPELINE:

The operation of a conventional air release valve is such that fast approaching water is almost instantaneously halted by the valve's closure without the shock cushioning benefit of any retained air in the pipeline. Consequently a transient pressure rise or shock of potentially damaging proportions can be generated in a pipeline system, even at normal filling rates.

In addition to venting through the Large Orifice (1) when water approach velocities are sub critical, the Vent-O-Mat series RBX air release valves feature an automatic "Anti-Shock" Orifice (8) device that serves to decelerate water approaching at excessive speed, thereby limiting pressure rise to a maximum of 1.5 x rated working pressure of the valve.

2. SURGE ALLEVIATION - PIPELINE PRESSURIZED:

In instances where a pipeline experiences water column separation due to pump stoppage, high shock pressures can be generated when the separated water column rejoins.

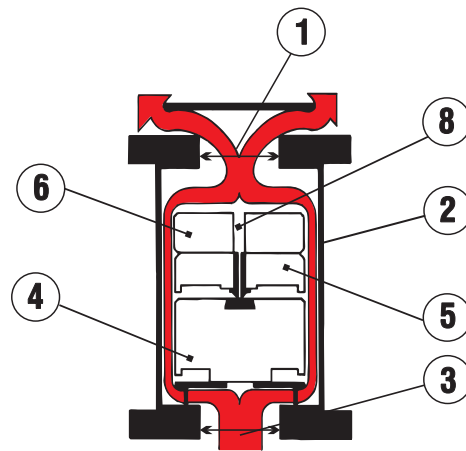
The Vent-O-Mat series RBX takes in air through the unobstructed large orifice when water column separation occurs, but controls the discharge of air through the "Anti-Shock" Orifice as the separated column commences to rejoin. The rejoining impact velocity is thereby sufficiently reduced to prevent an unacceptably high surge pressure in the system. In the same way the series RBX valve prevents high surge pressures resulting from liquid oscillation in a pipeline.

3. PRESSURIZED AIR RELEASE FROM A FULL PIPELINE:

Effective discharge by the valve of pressurized air depends on the existence of a 'CRITICAL RELATIONSHIP' between the area of the Small Orifice (7) and the mass of Control Float (4), i.e., the mass of the float must be greater than the force created by the working pressure acting on the orifice area. If the float is relatively too light or the orifice area relatively too great, the float will be held against the orifice, even when not buoyed, and air discharge will not be effected.

To ensure that the correct 'CRITICAL RELATIONSHIP' exists the requisite 'DROP TEST' described under TEST SPECIFICATION on page 17 must be applied to any air release valve which is intended for discharge of pressurized air.

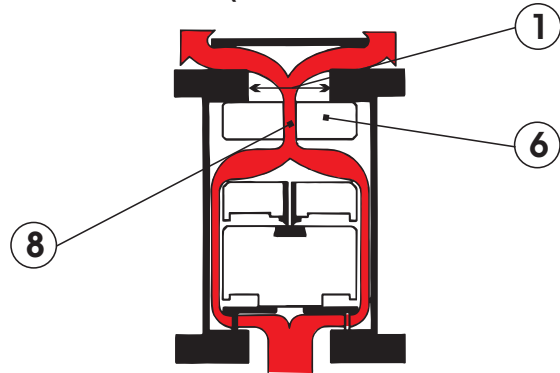
VENTING OF A FILLING PIPELINE (SUB CRITICAL WATER APPROACH VELOCITY)



Air enters Orifice (3), travels through the annular space between the cylindrical floats (4), (5), and (6) and the valve Chamber Barrel (2) and discharges from the Large Orifice (1) into atmosphere.

Series RBX OPERATION

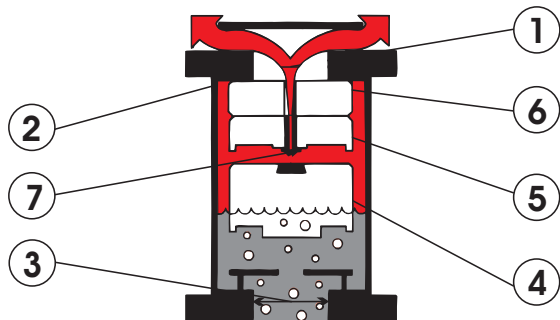
VENTING OF A FILLING PIPELINE (EXCESSIVE WATER APPROACH VELOCITY)



In reaction to increased air flow, Float (6) closes Large Orifice (1) and air is forced through the "Anti-Shock" Orifice (8) resulting in deceleration of the approaching water due to the resistance of rising air pressure in the valve.

Attention is drawn to Pre Note 1 and 2 on page 1.

PRESSURIZED AIR RELEASE FROM A FULL PIPELINE

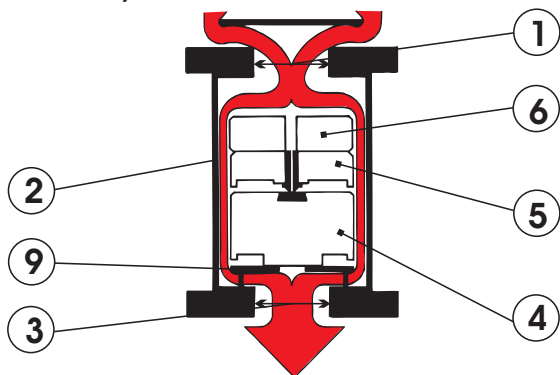


Subsequent to the filling of a pipeline, liquid enters the valve Barrel Chamber (2) and the Floats (4), (5) and (6) are buoyed so that the Large Orifice (1) is closed by Float (6), the valve will then become internally pressurized. A minimal working pressure of < 0.5 bar (7.3 psi) acting on the relatively large area of the Orifice (1) will lock Float (6) into the closed position across the Large Orifice (1).

Disentrained air rises through the liquid and accumulates in the valve chamber, when the volume of air is sufficient to displace the liquid, Float (4) will no longer be buoyant and will gravitate downwards thereby opening the Small Orifice (7) and allowing accumulated air to be discharged into atmosphere, as air is discharged the liquid raises Float (4) and re-seals the Small Orifice (7) and prevents escape of liquid

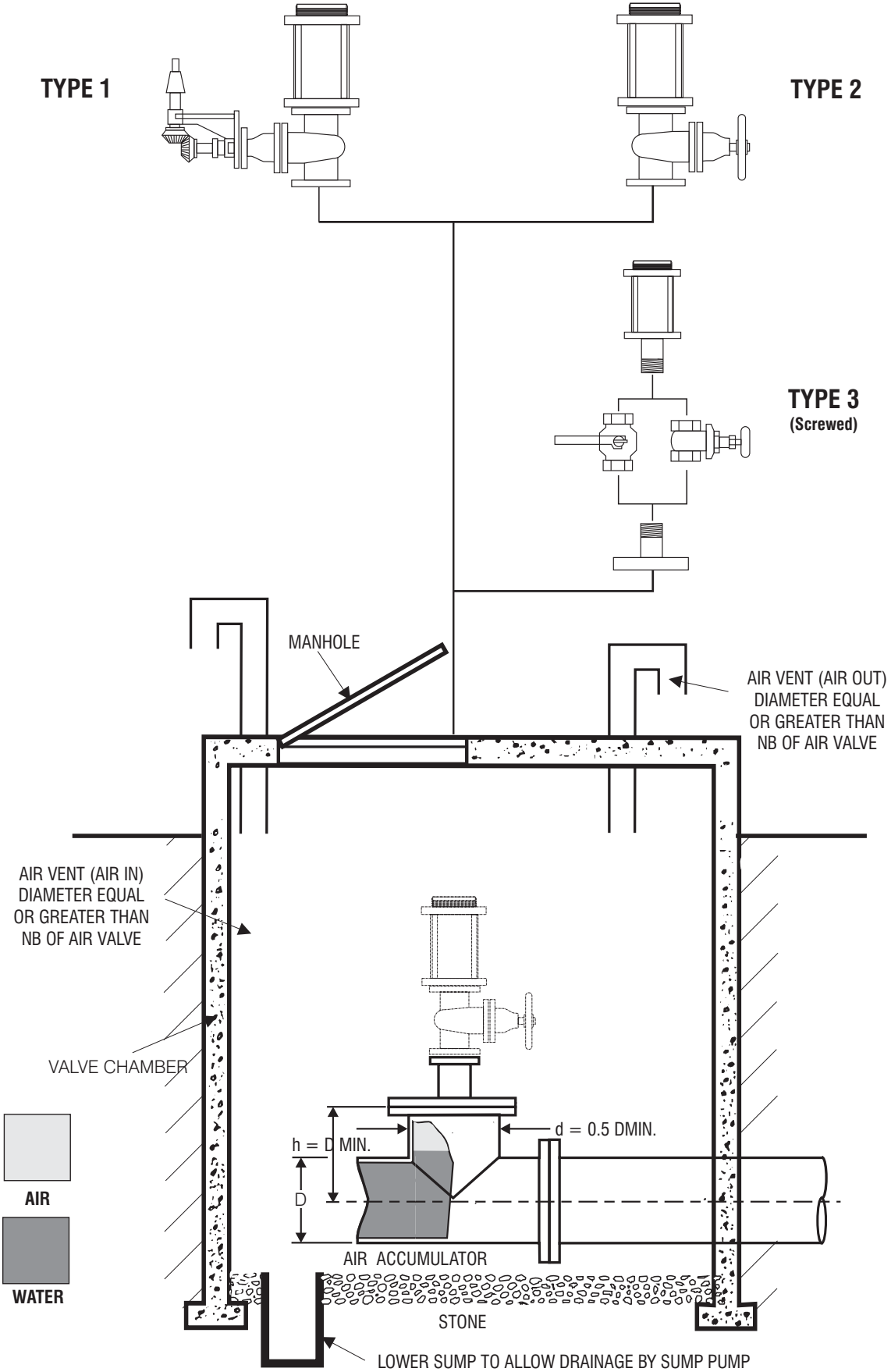
Specific attention is drawn to pre note 3 on page 1.

VACUUM RELIEF (AIR INTAKE) OF A DRAINING PIPELINE



Simultaneous drainage of liquid from Valve Chamber (2) causes Floats (4), (5) and (6) to gravitate downwards onto the Baffle Plate (9), thereby allowing atmospheric air through the valve to rapidly displace draining liquid in the pipeline and prevent potentially damaging internal negative pressure.

RECOMMENDED INSTALLATION ARRANGEMENTS



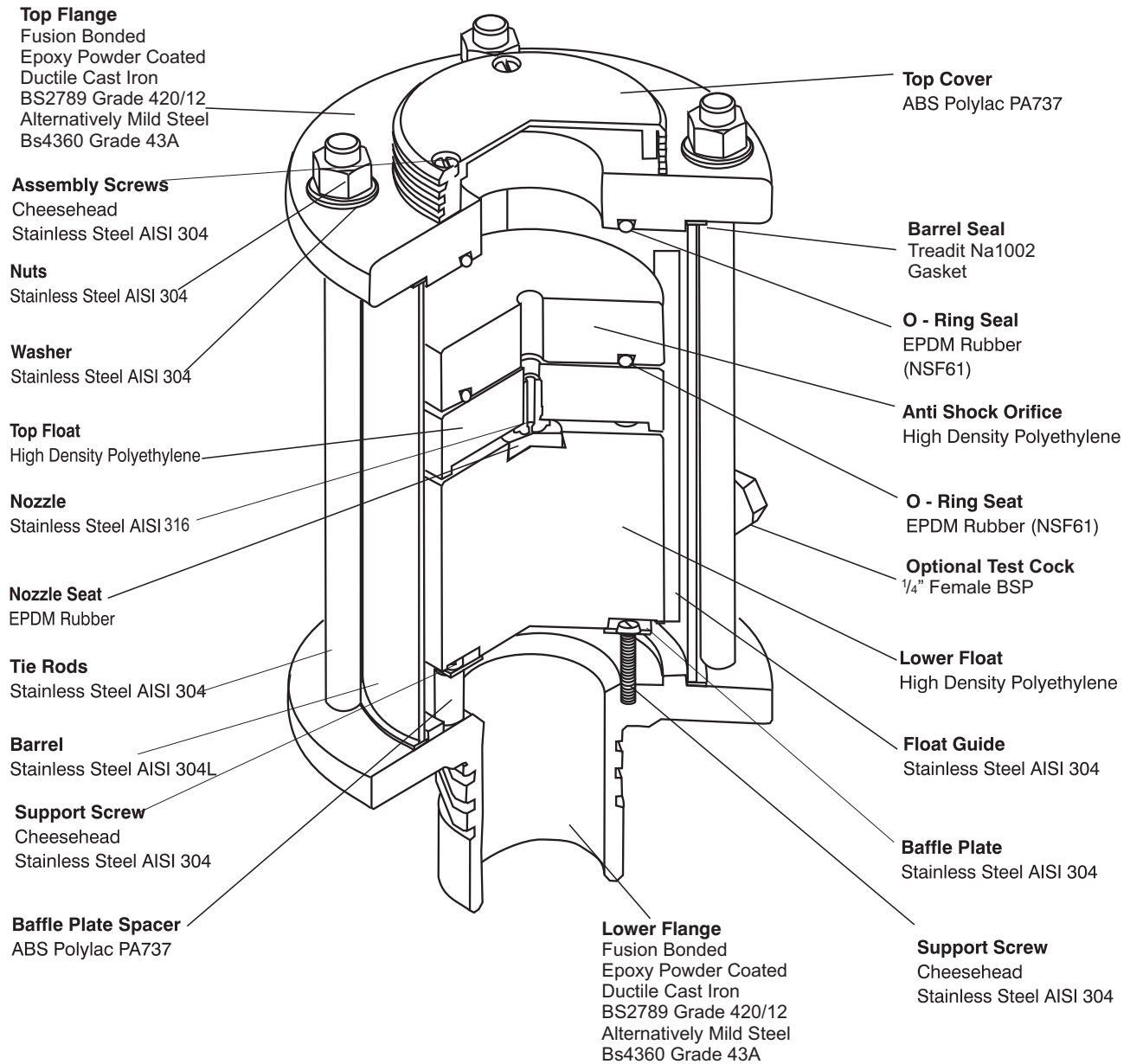
COMPONENT DESCRIPTION & MATERIAL SPECIFICATION SCREWED - DN25(1") & DN50(2")

Type:
Series RBX - Double Orifice (Small & Large Orifice)
with Anti Shock Orifice Mechanism.

End Connection:
Screwed BSP (ISO R7)/ NPT Male

Nominal Sizes:
DN25 (1")
DN50 (2")

Model No's:
RBX 2511 & 2521 _____ PN25 (363 psi)
RBX 4011 & 4021 _____ PN40 (580 psi)



Valves are available in AISI 316L on request.

information subject to change without prior notice

COMPONENT DESCRIPTION & MATERIAL SPECIFICATION FLANGED - DN80(3") & DN100(4")

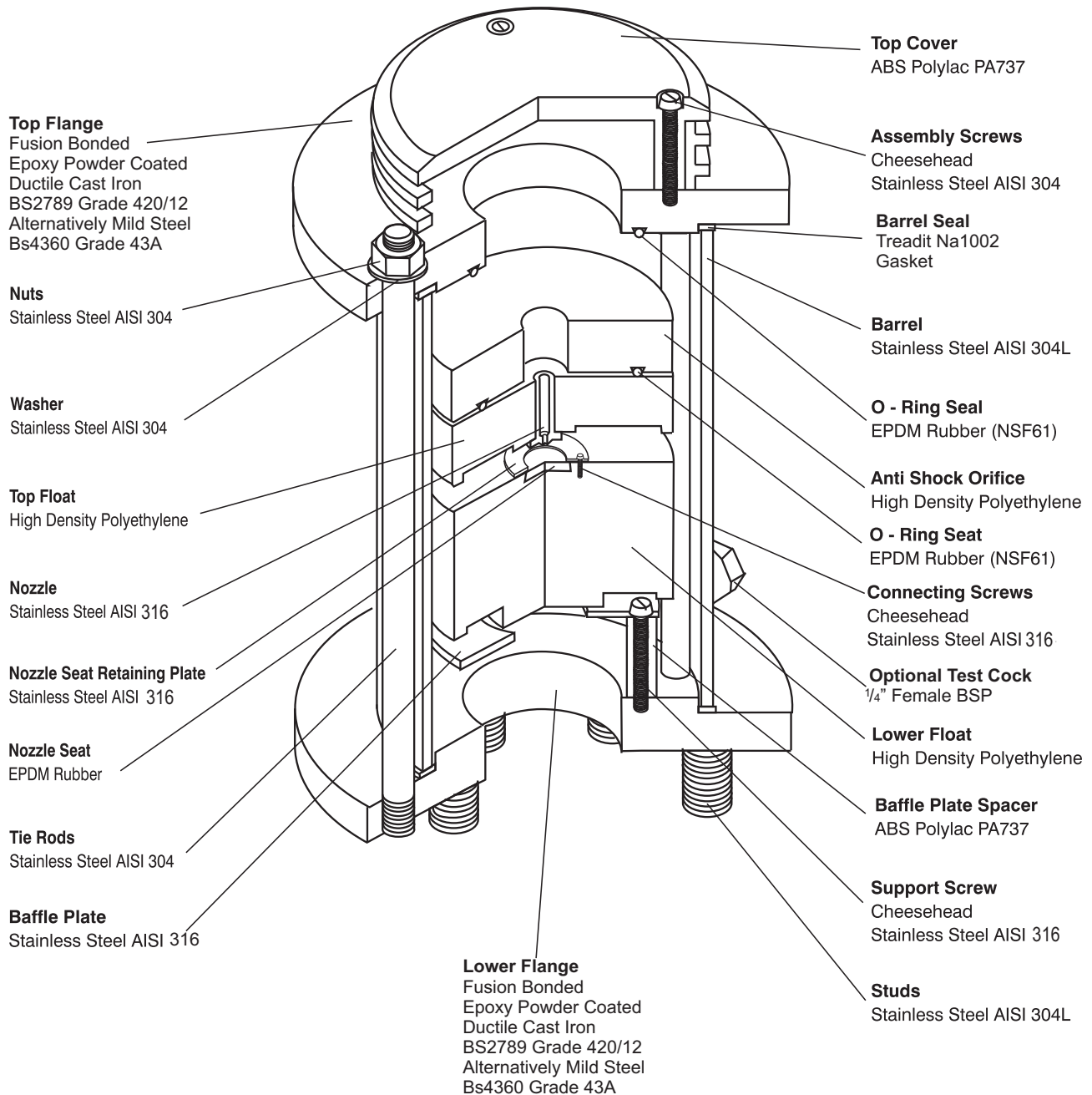
Type:
Series RBX - Double Orifice (Small & Large Orifice)
with Anti Shock Orifice Mechanism.

End Connection:
Flange with screwed studs.

Nominal Sizes:
DN80 (3")
DN100 (4")

Model No's:
RBX 1601 & 1631 _____
RBX 2501 & 2531 _____
RBX 4001 & 4031 _____

Pressure Ratings:
PN16 (232 psi)
PN25 (363 psi)
PN40 (580 psi)



Valves are available in AISI 316L on request.

information subject to change without prior notice

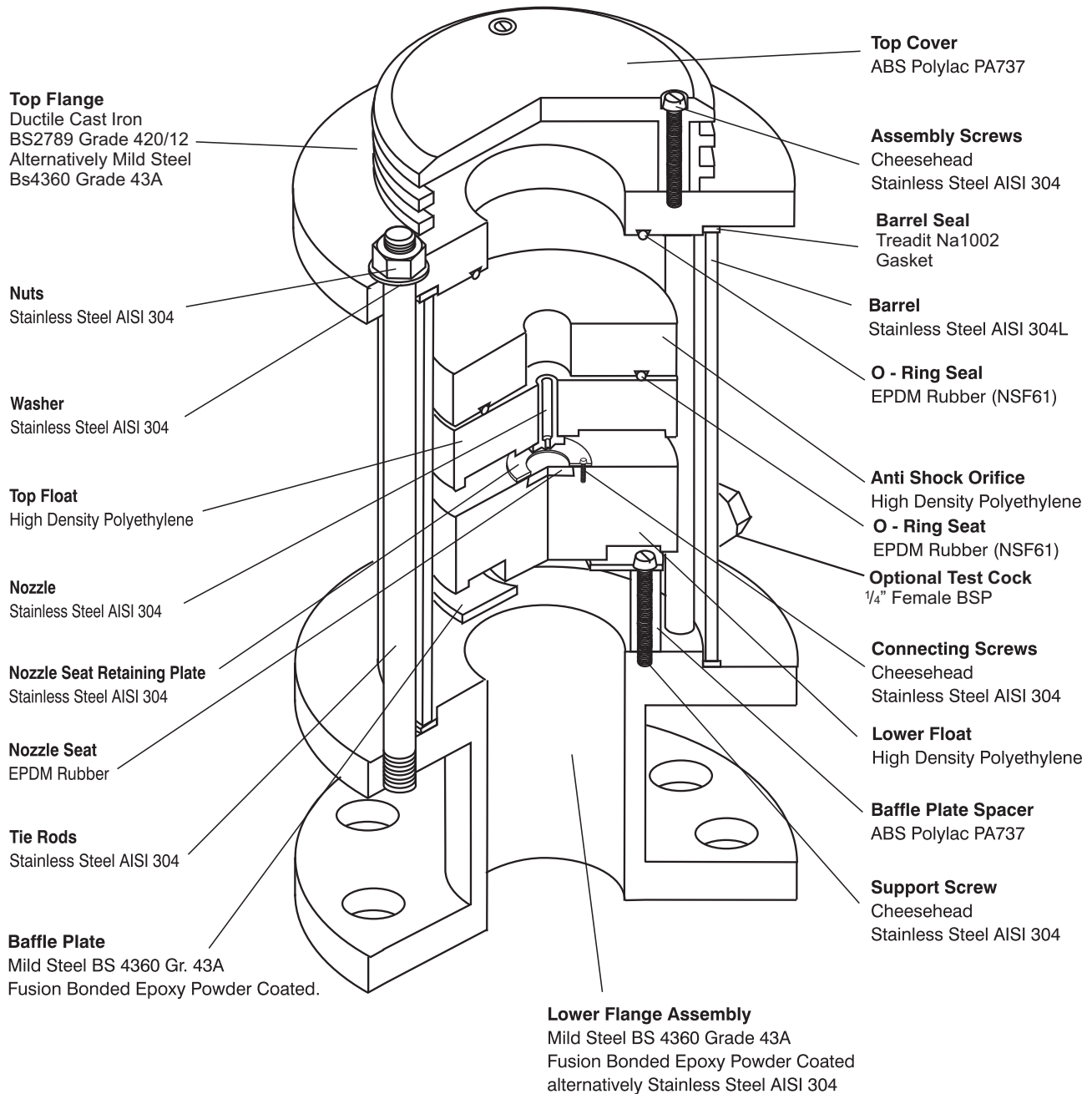
COMPONENT DESCRIPTION & MATERIAL SPECIFICATION FLANGED - DN150(6") & DN200(8")

Type:
Series RBX - Double Orifice (Small & Large Orifice)
with Anti Shock Orifice Mechanism.

End Connection:
Flanged

Nominal Sizes:
DN150 (6")
DN200 (8")

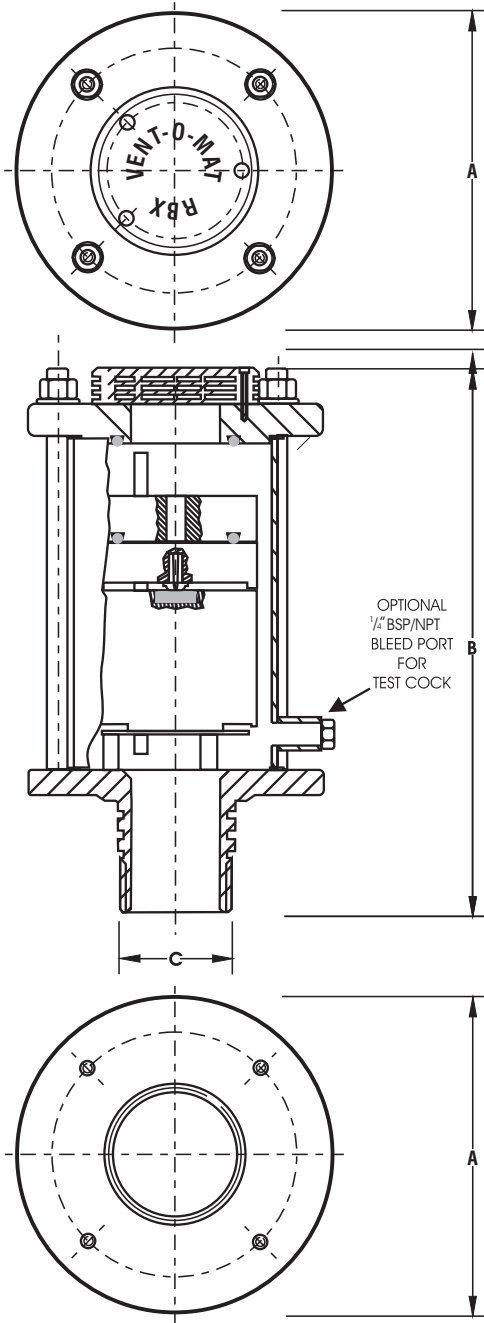
Model No's:		Pressure Ratings:
RBX 1601 & 1631	_____	PN16 (232 psi)
RBX 2501 & 2531	_____	PN25 (363 psi)
RBX 4001 & 4031	_____	PN40 (580 psi)



Valves are available in AISI 316L on request.

information subject to change without prior notice

GENERAL SPECIFICATIONS SCREWED - DN25(1") & DN50(2")



Type:

Double Orifice (Small & Large Orifice) with Anti-Shock Orifice Mechanism.

End Connection:

Screwed BSP/ NPT Male

Nominal Sizes:

DN25 (1") & DN50 (2")

Model No's:

RBX 2511 _____ PN 25 (363 psi)
RBX 4011 _____ PN 40 (580 psi)

Pressure Ratings bar (psi):

Operating Pressure Range - bar (psi):

	Min.	Max.
PN25 (363 psi)	0.5 (7.25)	25 (363)
PN40 (580 psi)	0.5 (7.25)	40 (580)

Operating Temperature Range:

4°C (40°F) to 80°C (176°F)

Acceptable Media:

Potable or strained raw water.

Function:

- i) High volume air discharge - pipeline filling.
- ii) High volume air intake - pipeline draining
- iii) Pressurized air discharge - pipeline filled.
- iv) Surge dampening - high velocity air discharge, water column separation & liquid oscillation.

Materials of Construction: - see page 4

Installation: - see page 3

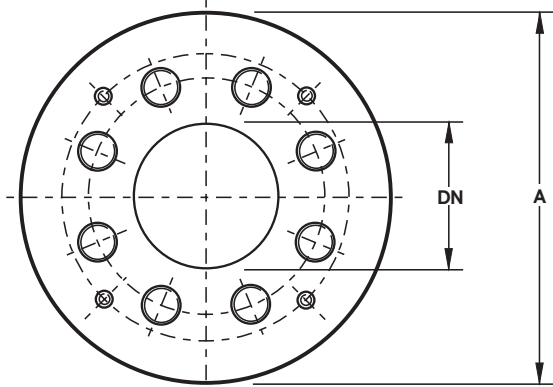
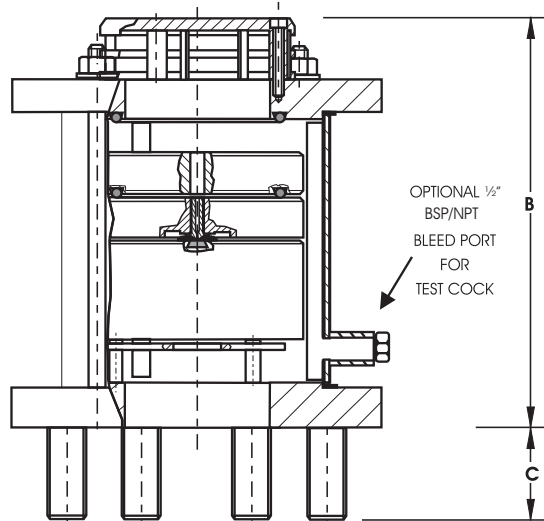
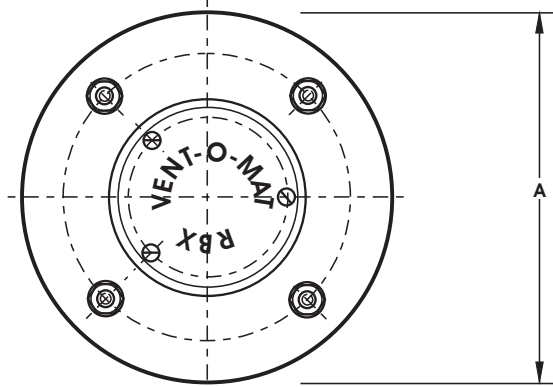
Standard Factory Tests:

- i) Hydrostatic - 1.5 x max. rated working pressure
- ii) Low head leak - 0.5 bar (7.25 psi)
- iii) Small orifice function at max. rated working pressure (minimum 1 valve in 10).

OVERALL DIMENSIONS & WEIGHTS

DN mm in.	MODEL No.	PRESSURE RATING	A		B		C	WEIGHT	
			mm	in.	mm	in.		kg.	lbs
25 1"	025 RBX 2511 & 2521	PN25 (363 psi)	120	4 3/4	265	10 7/16	1" BSP/NPT	5	11
25 1"	025 RBX 4011 & 4021	PN40 (580 psi)	120	4 3/4	317	12 1/2	1" BSP/NPT	5.5	12.2
50 2"	050 RBX 2511 & 2521	PN25 (363 psi)	165	6 1/2	325	12 8/10	2" BSP/NPT	9.5	21
50 2"	050 RBX 4011 & 4021	PN40 (580 psi)	165	6 1/2	340	13 6/16	2" BSP/NPT	10	22

GENERAL SPECIFICATIONS FLANGED - DN80(3") & DN100(4")



Type:

Double Orifice (Small & Large Orifice) with Anti-Shock Orifice Mechanism.

End Connection:

Flange with Screwed Studs for Alignment to;
BS 4504 PN10, PN16, PN25 & PN40
SABS 1123 - Tables 1000/3, 1600/3, 2500/3 & 4000/3
ANSI B16.5 Class 150 & 300

Nominal Sizes:

DN80 (3") & DN100 (4")

Model No's:

RBX 1601 & 1631 _____ PN 16 (232 psi)
RBX 2501 & 2531 _____ PN 25 (363 psi)
RBX 4001 & 4031 _____ PN 40 (580 psi)

Pressure Ratings bar (psi):

Operating Pressure Range - bar (psi):

	Min.	Max.
PN16 (232 psi)	0.5 (7.25)	16 (232)
PN25 (363 psi)	0.5 (7.25)	25 (363)
PN40 (580 psi)	0.5 (7.25)	40 (580)

Operating Temperature Range:

4°C (40°F) to 80°C (176°F)

Acceptable Media:

Potable or strained raw water.

Function:

- i) High volume air discharge - pipeline filling.
- ii) High volume air intake - pipeline draining
- iii) Pressurized air discharge - pipeline filled.
- iv) Surge dampening - high velocity air discharge, water column separation & liquid oscillation.

Materials of Construction: - see page 5

Installation: - see page 3

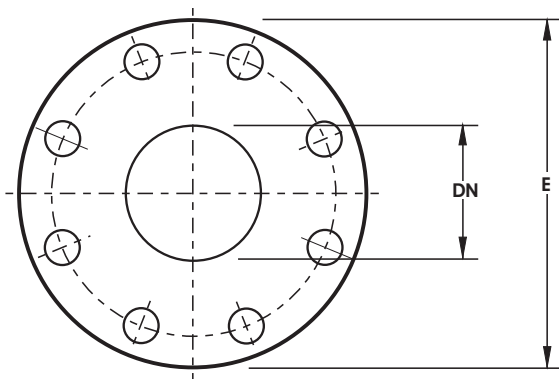
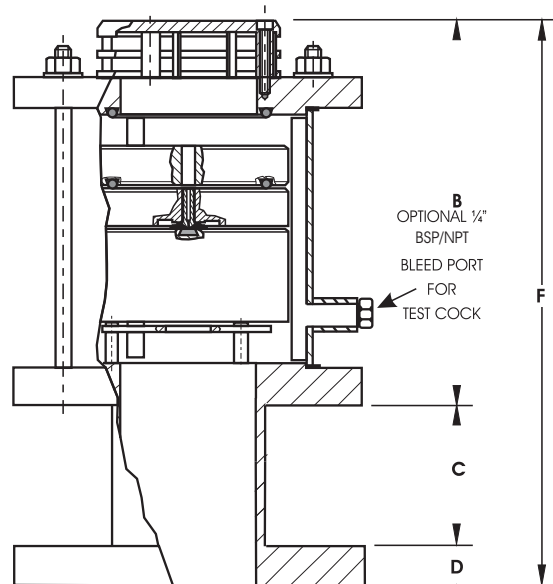
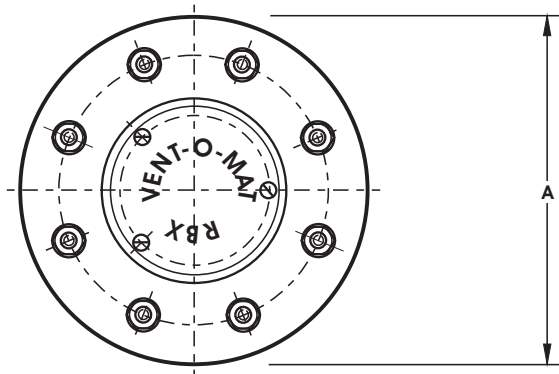
Standard Factory Tests:

- i) Hydrostatic - 1.5 x max. rated working pressure
- ii) Low head leak - 0.5 bar (7.25 psi)
- iii) Small orifice function at max. rated working pressure (minimum 1 valve in 10).

OVERALL DIMENSIONS & WEIGHTS

DN		MODEL No.	PRESSURE RATING	A		B		C		WEIGHT	
mm	in			mm	in	mm	in	mm	in	kg.	lbs
80	3	080 RBX 1601 & 1631	PN16 (232 psi)	235	9 ¹ / ₄	354	13 ¹⁵ / ₁₆	50	1 ¹⁵ / ₁₆	23	50.7
80	3	080 RBX 2501 & 2531	PN25 (363 psi)	235	9 ¹ / ₄	354	13 ¹⁵ / ₁₆	50	1 ¹⁵ / ₁₆	23	50.7
80	3	080 RBX 4001 & 4031	PN40 (580 psi)	235	9 ¹ / ₄	369	14 ¹ / ₄	50	1 ¹⁵ / ₁₆	24.5	54
100	4	100 RBX 1601 & 1631	PN16 (232 psi)	235	9 ¹ / ₄	369	14 ¹ / ₄	50	1 ¹⁵ / ₁₆	22.5	49.6
100	4	100 RBX 2501 & 2531	PN25 (363 psi)	235	9 ¹ / ₄	374	14 ³ / ₄	60	2 ³ / ₈	22.5	49.6
100	4	100 RBX 4001 & 4031	PN40 (580 psi)	235	9 ¹ / ₄	407	16	60	2 ³ / ₈	24	52.9

GENERAL SPECIFICATIONS FLANGED - DN150(6") & DN200(8")



Type:

Double Orifice (Small & Large Orifice) with Anti-Shock Orifice Mechanism.

End Connection:

Flange for Alignment to:
BS 4504 PN10, PN16, PN25 & PN40
SABS 1123 - Tables 1000/3, 1600/3, 2500/3 & 4000/3
ANSI B16.5 Class 150 & 300

Nominal Sizes:

DN150 (6") & DN200 (8")

Model No's:

RBX 1601 & 1631 _____ PN 16 (232 psi)
RBX 2501 & 2531 _____ PN 25 (363 psi)
RBX 4001 & 4031 _____ PN 40 (580 psi)

Pressure Ratings bar (psi):

Operating Pressure Range - bar (psi):

	Min.	Max.
PN16 (232 psi)	0.5 (7.25)	16 (232)
PN25 (363 psi)	0.5 (7.25)	25 (363)
PN40 (580 psi)	0.5 (7.25)	40 (580)

Operating Temperature Range:

4°C (40°F) to 80°C (176°F)

Acceptable Media:

Potable or strained raw water.

Function:

- i) High volume air discharge - pipeline filling.
- ii) High volume air intake - pipeline draining
- iii) Pressurized air discharge - pipeline filled.
- iv) Surge dampening - high velocity air discharge, water column separation & liquid oscillation.

Materials of Construction: - see page 6

Installation: - see page 3

Standard Factory Tests:

- i) Hydrostatic - 1.5 x max. rated working pressure
- ii) Low head leak - 0.5 bar (7.25 psi)
- iii) Small orifice function at max. rated working pressure (minimum 1 valve in 10).

OVERALL DIMENSIONS & WEIGHTS

DN		MODEL No.	PRESSURE RATING	A		B		C		D		E		F		WEIGHT	
mm	in			mm	in	mm	in	mm	in	mm	in	mm	in	mm	in	kg	lbs
150	6	150 RBX1601 & 1631	PN16 (232 psi)	355	13 ¹⁵ / ₁₆	457	18	133	5 ¹ / ₄	22	7 ⁷ / ₈	285	11 ¹ / ₅	612	24	69	152
150	6	150 RBX 2501 & 2531	PN25 (363 psi)	355	13 ¹⁵ / ₁₆	457	18	127	5	28	1 ¹ / ₁₀	300	11 ⁹ / ₁₀	612	24	69	152
150	6	150 RBX 4001 & 4031	PN40 (580 psi)	355	13 ¹⁵ / ₁₆	457	18	127	5	28	1 ¹ / ₁₀	300	11 ⁹ / ₁₀	612	24	75	165.3
200	8	200 RBX 1601 & 1631	PN16 (232 psi)	405	15 ¹⁵ / ₁₆	497	19 ⁹ / ₁₆	151	5 ¹⁵ / ₁₆	24	1	340	13 ³ / ₈	672	26 ⁷ / ₁₆	97	213.8
200	8	200 RBX 2501 & 2531	PN25 (363 psi)	405	15 ¹⁵ / ₁₆	497	19 ⁹ / ₁₆	145	5 ⁷ / ₁₀	30	1 ³ / ₁₆	360	14 ¹ / ₈	672	26 ⁷ / ₁₆	97	213.8
200	8	200 RBX 4001 & 4031	PN40 (580 psi)	405	15 ¹⁵ / ₁₆	497	19 ⁹ / ₁₆	141	5 ⁹ / ₁₆	34	1 ¹ / ₃	370	14 ⁹ / ₁₆	672	26 ⁷ / ₁₆	108	238

SELECTION & POSITIONING

PRE-NOTES

The functional limits of an air valve are governed by three physical laws namely: Joukowski's Equation Boyle's Law and Pascal's Law. Air valve operation however is also dependent on design and internal configuration, and can vary dramatically from manufacturer's product to manufacturer's product, within the parameters of what is physically possible. The basis of the Vent-O-Mat design is in the understanding of these laws, which have been used to design an air release and vacuum break valve that provides the optimum usable safe performance relative to all functions. The following summary is a general guideline of factors to consider when sizing air valves.

Sizing for Vacuum

Calculate necessary valve *orifice* sizes independently for each apex point.

Determine the smallest air release and vacuum break valve capable of admitting air into the pipeline equal to the potential water flow out of the pipeline whilst not exceeding a differential pressure that would put the pipeline and gasket joints at risk due to negative internal pressure. We recommend 0.35 bar (5 psi) Dp or lower. This exercise is simplified on pages 11 and 12 of this catalogue. Be cautious of air valve designs with spherical floats as a low pressure zone is created above the float which causes it to partially close off the large orifice during air intake.

Note that vacuum protection is dependent on valve size selection and orifice size relative to the nominal size of the valve. *In sizing air valves be cautious of designs with restricted orifice diameters, i.e., orifice diameters that are smaller than the nominal size of the valve, as this could lead to insufficient vacuum protection and pipe collapse if not accommodated for.* Vent-O-Mat large orifice diameters and flow path through the valve is equal to the nominal size of the valve e.g. a DN100 (4") valve has a 100mm (4") orifice. This ensures the least possible resistance to the intake of air and consequently the least possible negative pressure within a draining pipeline.

Sizing for Discharge

If a Vent-O-Mat air valve is sized correctly for air intake, discharge should not be a factor in sizing as all air will be discharged through the large orifice or "Anti-Shock" orifice (refer to RBX operation on pages 1 and 2 of this catalogue). *If this information is used for the sizing of air valves other than Vent-O-Mat, we recommend that a valve be selected that is capable of discharging air equal to the filling rate, whilst not exceeding a differential of 0.05 bar (0.725 psi) across the large orifice in order to prevent pressure surge and water hammer.*

Pressurized Air Discharge

Effective discharge by an air release and vacuum break valve of pressurised air depends on the existence of a "Critical Relationship" between the area of the small orifice and the mass of the control float, i.e., the mass of the float must be greater than the force created by the working pressure acting on the orifice area. If the float is relatively too light or the orifice area relatively too great, the float will be held against the orifice even when not buoyed, and air discharge will not take place.

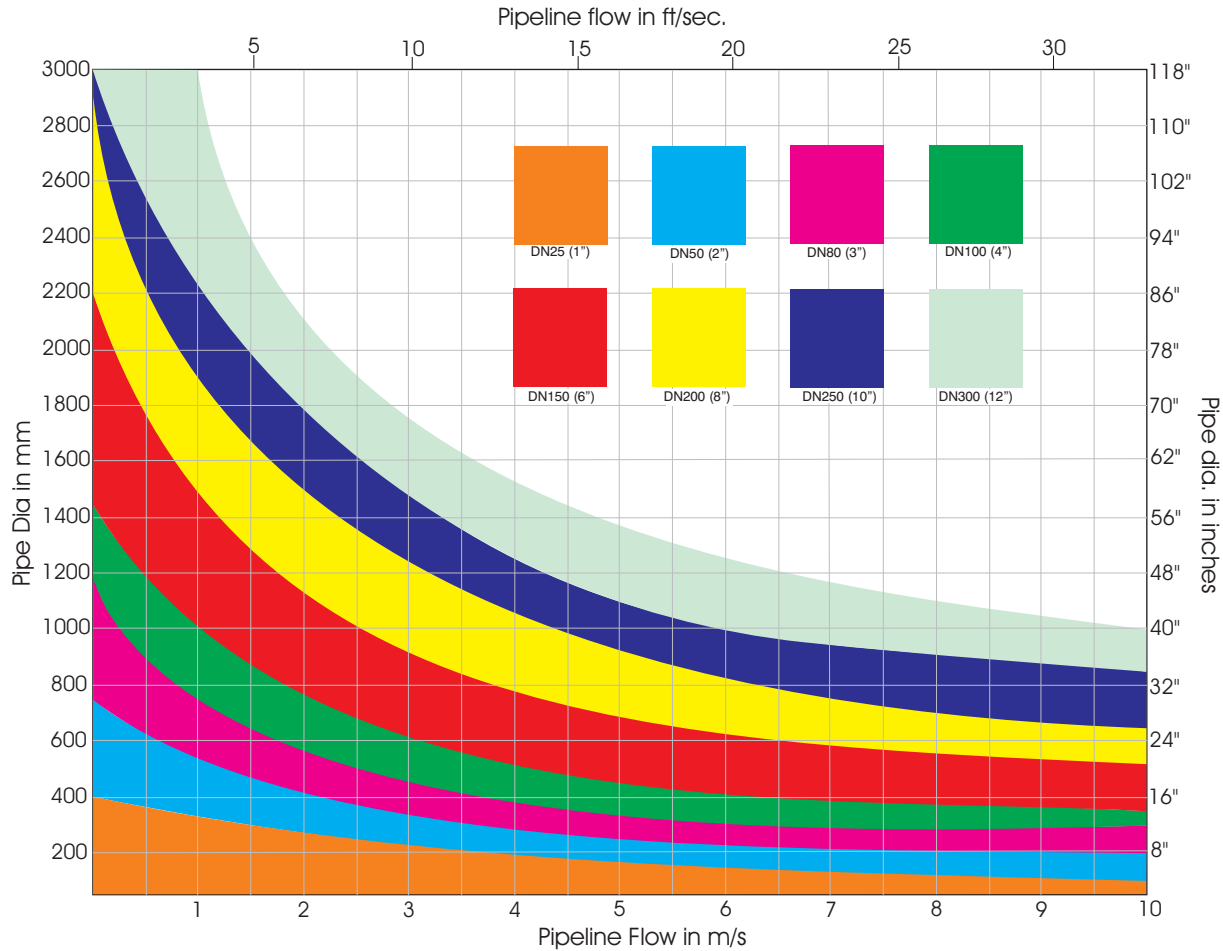
Surge Alleviation

It is imperative, due to the unpredictable nature of pipeline operation, that every air release and vacuum break valve should as standard, incorporate a surge and water hammer alleviation mechanism. This mechanism should only be activated in the instance of high velocity air discharge or pump trip (where the separated liquid columns rejoin at excessive velocities). The alleviation of surge and/or water hammer must be achieved by deceleration of the approaching liquid prior to valve closure (see operation of RBX on pages 1 and 2 of this catalogue). Relief mechanisms that act subsequent to valve closure cannot react in the low millisecond time span required and are therefore unacceptable.

Kindly contact the manufacturer for free copies of the Vent-O-Mat publications; "Points to Consider when Sizing and Position Air Release and Vacuum Break Valves" and "Air Valve Technology Reviewed", should you require more information on the phenomena of surge and water hammer as a result of air release, as well as the functional limits of all available air valve designs and configurations.

Vent-O-Mat has an interactive sizing programme available on the Internet. The website address is: <http://www.ventomat.com>. You can, should you experience any problems, or need additional assistance, contact us at our E Mail address: ventomat@dfc.co.za

SELECTION & POSITIONING



Pipe Dia mm	Pipeline Velocity in Metres per sec																			
	0.5	1	1.5	2	2.5	3	3.5	4	4.5	5	5.5	6	6.5	7	7.5	8	8.5	9	9.5	10
100	4	8	12	16	20	24	27	31	35	39	43	47	51	55	59	63	67	71	75	79
150	9	18	27	35	44	53	62	71	80	88	97	106	115	124	133	141	150	159	168	177
200	16	31	47	63	79	94	110	126	141	157	173	188	204	220	236	251	267	283	298	314
250	25	49	74	98	123	147	172	196	221	245	270	295	319	344	368	393	417	442	466	491
300	35	71	106	141	177	212	247	283	318	353	389	424	459	495	530	565	601	636	672	707
350	48	96	144	192	241	289	337	385	433	481	529	577	625	673	722	770	818	866	914	962
400	63	126	188	251	314	377	440	503	565	628	691	754	817	880	942	1005	1068	1131	1194	1257
450	80	159	239	318	398	477	557	636	716	795	875	954	1034	1113	1193	1272	1352	1431	1511	1590
500	98	196	295	393	491	589	687	785	884	982	1080	1178	1276	1374	1473	1571	1669	1767	1865	1963
550	119	238	356	475	594	713	832	950	1069	1188	1307	1425	1544	1663	1782	1901	2019	2138	2257	2376
600	141	283	424	565	707	848	990	1131	1272	1414	1555	1696	1838	1979	2121	2262	2403	2545	2686	2827
650	166	332	496	664	830	995	1161	1327	1493	1659	1825	1991	2157	2323	2489	2655	2821	2986	3152	3318
700	192	385	577	770	962	1155	1347	1539	1732	1924	2117	2309	2501	2694	2886	3079	3271	3464	3656	3848
750	221	442	663	884	1104	1325	1546	1767	1988	2209	2430	2651	2872	3093	3313	3534	3755	3976	4197	4418
800	251	503	754	1005	1257	1508	1759	2011	2262	2513	2765	3016	3267	3519	3770	4021	4273	4524	4775	5027
850	284	567	851	1135	1419	1702	1986	2270	2554	2837	3121	3405	3688	3972	4256	4540	4823	5107	5391	5675
900	318	636	954	1272	1590	1909	2227	2545	2863	3181	3499	3817	4135	4453	4771	5089	5407	5726	6044	6362
950	354	709	1063	1418	1772	2126	2481	2835	3190	3544	3899	4253	4607	4962	5316	5671	6025	6379	6734	7088
1000	393	785	1178	1571	1963	2356	2749	3142	3534	3927	4320	4712	5105	5498	5890	6283	6676	7069	7461	7854
1100	475	950	1425	1901	2376	2851	3326	3801	4276	4752	5227	5702	6177	6652	7127	7603	8078	8553	9028	9503
1200	565	1131	1696	2262	2827	3393	3958	4524	5089	5655	6220	6786	7351	7917	8482	9048	9613	10179	10744	11310
1300	664	1327	1991	2655	3318	3982	4646	5309	5973	6637	7300	7964	8628	9291	9955	10619	11282	11946	12610	13273
1400	770	1539	2309	3079	3848	4618	5388	6158	6927	7697	8467	9236	10006	10776	11545	12315	13085	13854	14624	15394
1500	884	1767	2651	3534	4418	5301	6185	7069	7952	8836	9719	10603	11486	12370	13254	14137	15021	15904	16788	17671
1600	1005	2011	3016	4021	5027	6032	7037	8042	9048	10053	11058	12064	13069	14074	15080	16085	17090	18096	19101	20106
1700	1135	2270	3405	4540	5675	6809	7944	9079	10214	11349	12484	13619	14754	15889	17024	18158	19293	20428	21563	22698
1800	1272	2545	3817	5089	6362	7634	8906	10179	11451	12723	13996	15268	16540	17813	19085	20358	21630	22902	24175	25447
1900	1418	2835	4253	5671	7088	8506	9924	11341	12759	14176	15594	17012	18429	19847	21265	22682	24100	25518	26935	28353
2000	1571	3142	4712	6283	7854	9425	10996	12566	14137	15708	17279	18850	20420	21991	23562	25133	26704	28274	29845	31416
2100	1732	3464	5195	6927	8659	10391	12123	13854	15586	17318	19050	20782	22513	24245	25977	27709	29441	31172	32904	34636
2200	1901	3801	5702	7603	9503	11404	13305	15205	17106	19007	20907	22808	24709	26609	28510	30411	32311	34212	36113	38013
2300	2077	4155	6232	8310	10387	12464	14542	16619	18696	20774	22851	24929	27006	29083	31161	33238	35315	37393	39470	41548
2400	2262	4524	6786	9048	11310	13572	15834	18096	20358	22619	24881	27143	29405	31667	33929	36191	38453	40715	42977	45239
2500	2454	4909	7363	9817	12272	14726	17181	19635	22089	24544	26998	29452	31907	34361	36816	39270	41724	44179	46633	49087
2600	2655	5309	7964	10619	13273	15928	18583	21237	23892	26546	29201	31856	34510	37165	39820	42474	45129	47784	50438	53093
2700	2863	5726	8588	11451	14314	17177	20039	22902	25765	28628	31491	34353	37216	40079	42942	45804	48667	51530	54393	57256
2800	3079	6158	9236	12315	15394	18473	21551	24630	27709	30788	33866	36945	40024	43103	46181	49260	52339	55418	58496	61575
2900	3303	6605	9908	13210	16513	19816	23118	26421	29723	33026	36329	39631	42934	46236	49539	52842	56144	59447	62749	66052
3000	3534	7069	10603	14137	17671	21206	24740	28274	31809	35343	38877	42412	45946	49480	53014	56549	60083	63617	67152	70686

Conversion Table l/sec. to m/sec. of Pipeline Velocity

information subject to change without prior notice

SELECTION & POSITIONING

VALVE SELECTION FROM GRAPH

All the relevant information has been condensed into one graph to enable valve selection to be simple and easy and at the same time to allow flexibility to the designer to move within certain parameters which eventually allows the most suited and economically viable valve to be selected.

IMPORTANT NOTE: The graph is based on vacuum breaking and limiting vacuum to 0.34 bar (5 psi) below atmospheric. It is not good practice to go below 0.69 bar (10 psi) absolute (0.303 bar (4.4 psi) differential in pipeline at sea level). The graph allows for change in altitude and hence change in atmospheric pressure and is based on the assumption that more than one valve per section is used for vacuum protection and venting.

ACTUAL SELECTION (GRAVITY OR PUMPED PIPELINES)

Selection is based on the premise that pipelines are generally filled at a slower rate than they are drained, scoured or at which separation occurs (a maximum fill/drain ratio of 1:1).

1. Determine the maximum drainage rate in m/s (ft/s) either for scouring, pipe rupture or column separation for a particular pipeline section. Conversion from l/sec to m/sec can be done fairly quickly; using the conversion table on page 11.
2. Move vertically on the selection graph (top of page 11) from the m/s (ft/s) point and move horizontally from the pipe size finding the intersecting point.
3. This point should fall within the operating band of a particular valve size. Consideration must be given to the fact that the upper portion of the band approaches - 0.34 bar (5 psi) and the lower portion - 0.1 bar (1.45 psi) for each valve size, this allows the designer to see at a glance if the valve is too close to its operating limits and to select the next valve size.

EXAMPLE OF VALVE SIZING (ASSUMING AN INDIVIDUAL SECTION)

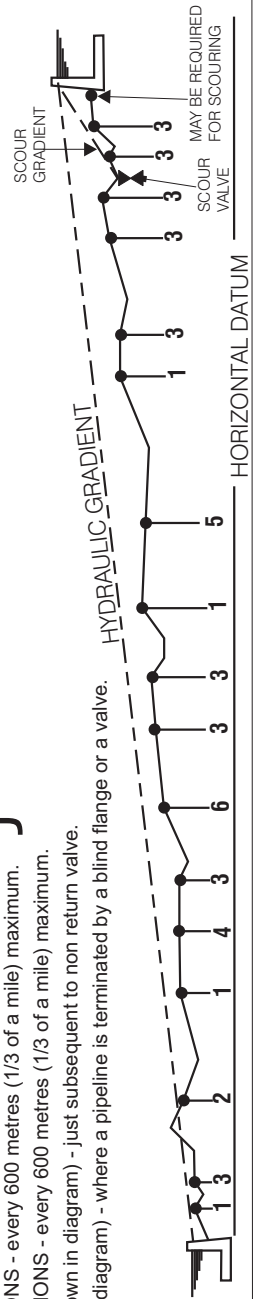
A Ø 400mm (16") pipeline draining at 377l/sec (99.6 gal/sec) which equates to 3m/sec. (9.85 ft/s), what valve size should be selected?

From the 3m/sec. (9.85 ft/s) point, on the graph on page 11, move vertically until the Ø400 mm (16") pipe size horizontal line is intersected. This places the intersection point in the operating band of a DN80 (3") Vent-O-Mat RBX valve. But, if for example, the drainage rate is 503 l/sec. (132.8 gal/sec) which equates to 4m/sec. (13.1 ft/s), the valve would be operating close to its limit and it may be prudent to change to a DN100 (4") Vent-O-Mat RBX.

VALVE POSITIONING

1. ON APEX POINTS (relative to hydraulic gradient).
2. 5 METRES (16 FEET) BELOW APEX POINTS FORMED BY INTERSECTION OF PIPELINE AND HYDRAULIC GRADIENT - i.e. where pipeline siphoning over gradient an air release valve positioned on the apex would break the siphon. If positioning on apex is required a modified VENT-O-MAT Series RBX can be supplied.
3. NEGATIVE BREAKS (increase in downward slope or decrease in upward slope).

Alternatively: - 1 meter per every mm in pipe diameter e.g. space air valves every 600 meters for a 600mm diameter pipeline or every 800m for a 800mm diameter pipeline.



4. LONG HORIZONTAL SECTIONS - every 600 metres (1/3 of a mile) maximum.
5. LONG ASCENDING SECTIONS - every 600 metres (1/3 of a mile) maximum.
6. LONG DESCENDING SECTIONS - every 600 metres (1/3 of a mile) maximum.
7. PUMP DISCHARGE (not shown in diagram) - just subsequent to non return valve.
8. BLANK ENDS (not shown in diagram) - where a pipeline is terminated by a blind flange or a valve.

Series RBX

SURGE & WATERHAMMER PROTECTION

Introduction

The Vent-O-Mat Series RBX "Anti-Shock" air release and vacuum break valve, is the product of extensive research into the development of an efficient, but cost effective solution to surge problems (both mass liquid oscillation and elastic transient phenomena) associated with any operating pipeline. Automatic dampening, relevant to the pipeline's needs is provided by either one of three design features. These special features are unique in a pipeline component of such compact and economic design.

Surge Protection - Initial Filling

The RBX incorporates the additional floating "Anti-Shock" Orifice which is aerodynamically engineered to throttle air discharge when water approach velocity would otherwise become too great and induce an unacceptable pressure rise. The air throttling action increases resistance to the flow of the approaching water which consequently decelerates to a velocity which reduces the pressure rise when the valve closes (see operation of valve on pages 1 & 2). Vent-O-Mat series RBX is an essential precaution for pipeline priming.

Surge Protection - Pump Trip Conditions

In instances where a pipeline experiences water column separation due to pump stoppage, high shock pressures can be generated when the separated water column rejoins.

The Vent-O-Mat series RBX takes in air through the unobstructed large orifice when water column separation occurs, but controls the discharge of air through the "Anti-Shock" Orifice as the separated column commences to rejoin. The rejoining impact velocity is thereby considerably reduced to alleviate high surge pressures in the system (see operation of valve on pages 1 & 2).

Other surge control measures may, dependant on pipeline profile, diameter and operating conditions, be needed to provide the primary surge alleviation function with the Vent-O-Mat air-valves forming an integral and valuable addition in a combined strategy for further reducing surge pressures. The benefit of the "Anti-Shock" Orifice can be readily demonstrated by suitable surge modelling software.

Surge Protection - Pipeline Operating

The operation of valves and similar flow control devices can cause high-pressure transients in an operating pipeline.

The unique, single chamber design of the Vent-O-Mat series RBX valve enables a pocket of air to be trapped in the valve chamber. Automatic operation of the small orifice control float regulates the volume of air entrapped.

The volume maintained in the valve will provide a cushioning benefit to the pipeline for short duration transient pressure "spikes". This effect can be modelled by the design engineer using suitable surge software.

Surge Protection - Primary Pipeline Surge Protection Failure

In instances where air vessels or other alleviation measures are utilised as primary surge protection and these devices fail, excessively high surge pressures will be generated. The same is true if pipeline demands are increased with time without the upgrading of initial surge protection equipment.

Series RBX

SURGE & WATERHAMMER PROTECTION

Protection by Vent-O-Mat Series RBX will provide the benefits already described. The valve in addition, has a pipeline over pressure safety feature which acts as a "rupture-disc". Operation of this feature will be without an explosive effect and without damage to valve. This feature consists of easily replaceable components such as gaskets and seals.

This feature will thus provide surge alleviation in instances where surge pressures are abnormally high. The net alleviation effect can be taken into account by the design engineer using surge modelling software.

Computer Modelling

The effectiveness of Vent-O-Mat series RBX has been substantiated by independent third party testing and by thousands of applications globally. Effective computer modelling, based on practical tests, has been ensured in the well-known and respected commercially available SURGE 2000/Pipe 2010, AFT Impulse and Watham surge analysis software programmes. Accurate results are also obtained by other commercially available surge analysis software programmes such as Flowmaster, Hytran and Transam.

Holistic Surge & Water Hammer Protection

Vent-O-Mat forms an integral part of a well planned, holistic surge protection strategy that should, according to application needs and financial constraints, include surge vessels, check valves, control valves and/or any other equipment needed to alleviate unacceptable surge behaviour.

Technical and Financial Benefits

The Vent-O-Mat series RBX valve offers definite financial and technical advantages when incorporated as part of a holistic surge protection strategy. This includes:

1. Improved alleviation of surge behaviour including reduction of:
 - Surge pressure magnitudes by slowing surge velocities
 - Duration of oscillation following a pump trip, as the air-valve continuously absorbs and dissipates the energies of the surge.
2. Potential for reduction in size and/or quantity of conventional surge protection devices such as surge vessels etc.
3. Automatic protection during initial filling when most surge protection devices are not operational.
4. Holistic protection as each air valve installed has design features to automatically damp surges.
5. The valve is virtually maintenance free.

Service

Vent-O-Mat is committed to finding the most cost effective and efficient solution to pipeline complexities. Services include air valve sizing and positioning and assistance to consulting engineers on defining appropriate surge and water hammer protection strategies. Vent-O-Mat has built a sound relationship with many international consulting firms and has gained global recognition for selling solutions!

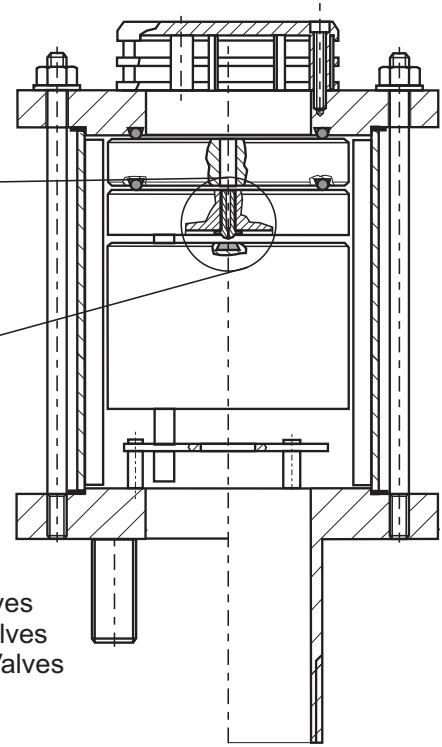
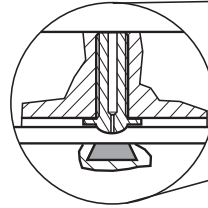
SMALL ORIFICE DISCHARGE PERFORMANCE

Type:

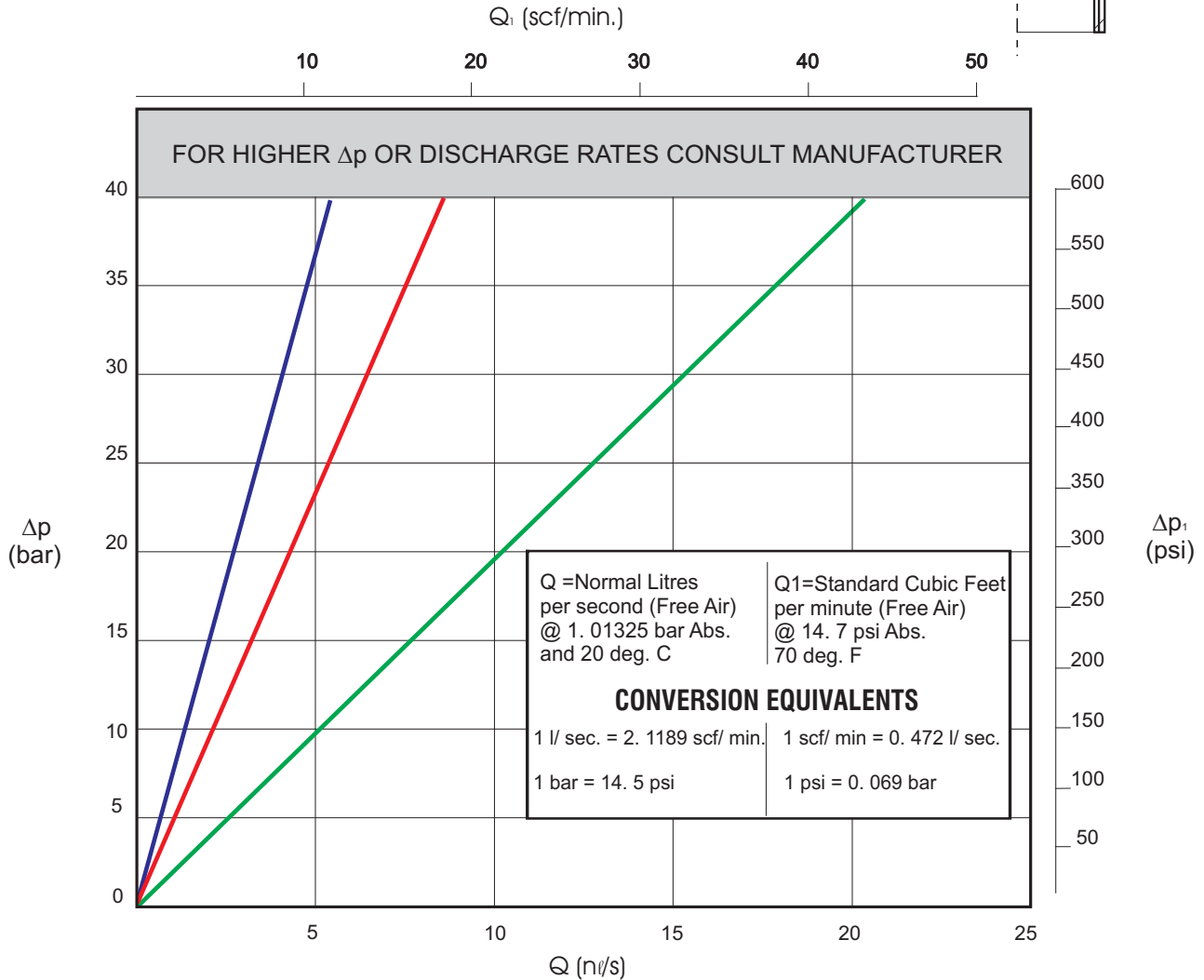
Series RBX - Double Orifice (Small & Large Orifice)
with 'Anti Shock Orifice' Mechanism

Model No's:

RBX 1601/ 1631
RBX 2511/ 2521/ 2501/ 2531
RBX 4011/ 4021/ 4001/ 4031



- █ 1.2 mm (0.047") small orifice - DN25 (1") & DN50 (2") Valves
- █ 1.5 mm (0.059") small orifice - DN80 (3") & DN100 (4") Valves
- █ 2.4 mm (0.094") small orifice - DN150 (6") & DN200 (8") Valves



Why?

- **"ANTI-SHOCK" - "ANTI-SURGE"** - The RBX is the only air release valve available that is supplied as standard with a mechanism which operates automatically to prevent pipeline damage from the high induced pressure transients associated with high velocity air discharge. Surge resulting from liquid column separation and liquid oscillation is dramatically reduced as an automatic function of this mechanism.
- **PERFORMANCE** - The RBX has been designed and developed to provide the optimum usable and safe performance relative to all functions. Selection data has been substantiated through CSIR and other testing and can therefore, be confidently referenced.
- **QUALITY** - The RBX economically offers the highest quality construction and materials available in an air release and vacuum break valve. Stringent manufacturing and test procedures are maintained to ensure the best possible service and reliability is given by every valve produced.
- **SERVICEABILITY** - The RBX design facilitates extreme ease of service and maintenance. Components are in corrosion free materials to allow problem free disassembly and reassembly even after many years of operation. All maintenance spares are replaceable without special tools or skills.
- **VACUUM BREAK** - The RBX series large orifice diameters equal the nominal size of the valve, i.e., a DN200 (8") valve has a DN200 (8") orifice. This ensures the least possible resistance to the intake of air and consequently the least possible negative pressure within a draining pipeline.
- **COMPACTNESS** - Although extremely robust the RBX valve's lightweight and compact construction offers handling transport and installation advantages.
- **BACK UP** - Vent-O-Mat provides highly committed customer orientated sales, service, spares and technical back up - TRY US!!!

PURCHASE SPECIFICATION

VENT-O-MAT MODEL NO.

Page 7 - Series RBX - DN25 (1") or DN50 (2") with BSP (ISO R7) or NPT, Screwed Male Connection.

Page 8 - Series RBX - DN80 (3") or DN100 (4") Flanged Connection.

Page 9 - Series RBX - DN150 (6") or DN200 (8") Flanged Connection.

CONSTRUCTION & DESIGN

The air release & vacuum break valve shall be of the compact single chamber design with solid cylindrical H.D.P.E. control Floats housed in a tubular Stainless Steel Body with epoxy powder coated Mild Steel or Stainless Steel ends secured by means of Stainless Steel Tie Rods.

The valve shall have an integral 'Anti-Shock' Orifice mechanism which shall operate automatically to limit transient pressure rise or shock induced by closure to 1.5 x valve rated working pressure.

The intake orifice area shall be equal to the nominal size of the valve i.e., a 150mm (6") valve shall have a 150mm (6") intake orifice.

Large orifice sealing shall be effected by the flat face of the control float seating against a EPDM rubber 'O' ring housed in a dovetail groove circumferentially surrounding the orifice.

Discharge of pressurized air shall be controlled by the seating & unseating of a Small Orifice Nozzle on a EPDM rubber seal affixed into the control float. The Nozzle shall have a flat seating land surrounding the orifice so that the damage to the rubber seal is prevented.

The valve construction shall be proportioned with regard to material strength characteristics, so that deformation, leaking or damage of any kind does not occur by submission to one and half times the designed working pressure.

The valve design shall incorporate an over pressure safety feature that will fail without an explosive effect, such as is normally the case when highly compressed air is released suddenly. The feature shall consist of easily replaceable components such as Gaskets, Seals or the like.

Connection to the valve inlet shall be facilitated by a screwed BSP (ISO R7) or NPT male end (DN25 (1") & DN50 (2") only) or a flanged end conforming to PN10, 16, 25 or 40 ratings of BS4504 or SABS 1123 Standards and ANSI B16.5 Class 150 or Class 300 Standards.

Flanged ends for DN80 and DN100 shall be supplied with the requisite number of Stainless Steel screwed studs inserted for alignment to the specified standard. **Nuts, washers, or jointing gaskets shall be excluded.**

Optional: Provision of a ¼" BSP/ NPT Test/ Bleed Cock.

OPERATION

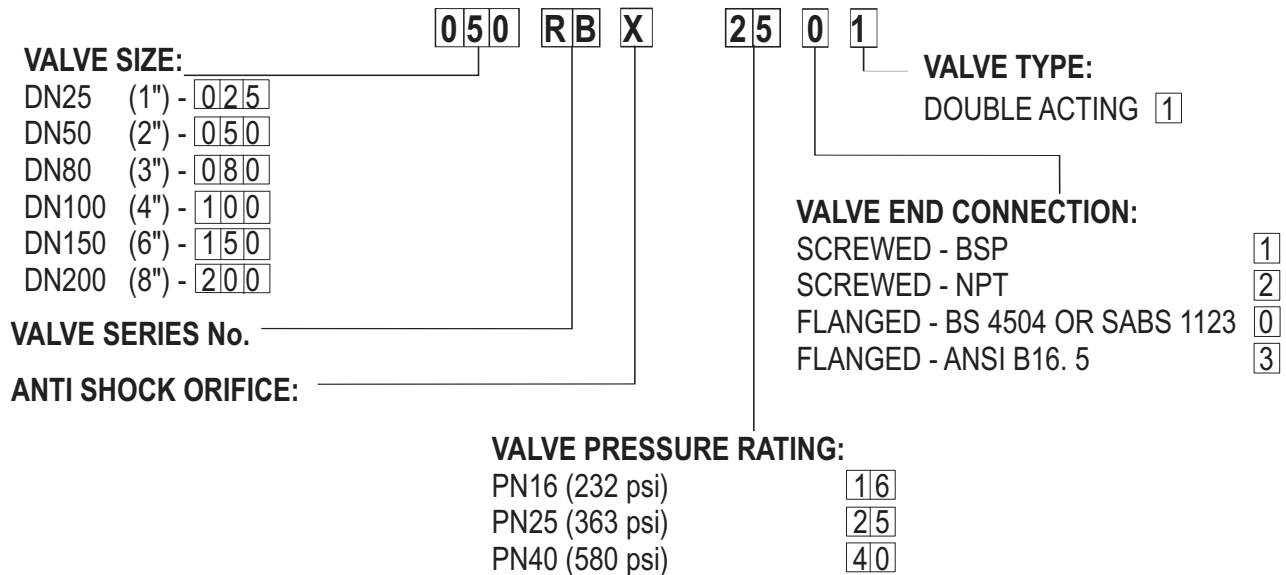
1. Prior to the ingress of liquid into the valve chamber, as when the pipeline is being filled, valves shall vent through the large orifice when water approach velocities are relative to a transient pressure rise, on valve closure, of < 1.5 x valve rated pressure.

At higher water approach velocities, which have a potential to induce transient pressure rises > 1.5 x valve rated pressure on valve closure, the valve shall automatically discharge air through the Anti Shock Orifice and reduce water approach velocity, so that on closure a maximum transient pressure rise of < 1.5 x valve rated pressure is realised.

2. Valves shall not exhibit leaks or weeping of liquid past the large orifice seal at operating pressures of 0.5 bar (7.25 psi) to one and a half times the rated working pressure.
3. Valves shall respond to the presence of air by discharging it through the small orifice at pressures within a specified design range, i.e. 0.5 bar (7.25 psi) to 16 bar (232 psi), 25 bar (363 psi) or 40 bar (580 psi), and shall

Remain leak tight in the absence of air.

4. Valves shall react immediately to pipeline drainage or water column separation by the full opening of the

ORDERING GUIDE**Note:**

1. DN250 (10") and DN300 (12") valves are available on request.
2. Valves for pressure ratings of PN64 (928 psi) and PN100 (1450 psi) are available on request.
3. Valves are available with AISI 304 or AISI 316 Stainless Steel Flanged ends, please specify when ordering.

TEST SPECIFICATION

All air release valves supplied shall be subjected to the following testing procedures in the order laid down:

- (A) A high pressure strength and leak test whereby the valve is filled with water and pressurized to 1.5 times the rated working pressure which shall be held for a period of 2 minutes. Any leaking, weeping or sweating shall be reason for rejection.
- (B) A low head leak test whereby the valve is filled with water and pressurized to a maximum of 0.5 bar (7.25 psi) using a visible water column connected to the test rig. The valve shall be rejected if leak tightness is not maintained for 2 minutes
- (C) Every tenth air release valve of the same size and pressure rating must be subjected to a small orifice function test - "DROP TEST" - whereby the valve is filled with water, pressurized to above rated working pressure and isolated from the test rig by closure of an isolating valve. A chamber in the test rig immediately prior to the isolating valve must be filled with compressed air at a pressure equal to that being maintained in the air release valve. The isolating valve is then opened so as to allow the air to rise in the air release valve without the pressure dropping lower than 2 - 3 bar (29 - 44 psi) above rated working pressure of the air release valve. The "DROP TEST" is then carried out by slowly bleeding off the pressure through a suitable cock until rated working pressure is reached and the float drops away from the orifice to allow discharge. Failure of the air release valve to function in the manner described will be reason for rejection.

On request the manufacturer shall provide batch certificates of test compliance which shall be cross referenced to serial numbers indelibly marked onto the identity label of each valve.

IMPORTANT NOTE: It is impossible to inject air into an incompressible liquid, air injection can only be achieved if the liquid can be displaced which implies that the pressure in the test rig must be reduced to atmospheric, and absolutely nothing is proven by discharge through the small orifice of the air release valve at atmospheric pressure. "DROP TESTING" in this manner is not acceptable.

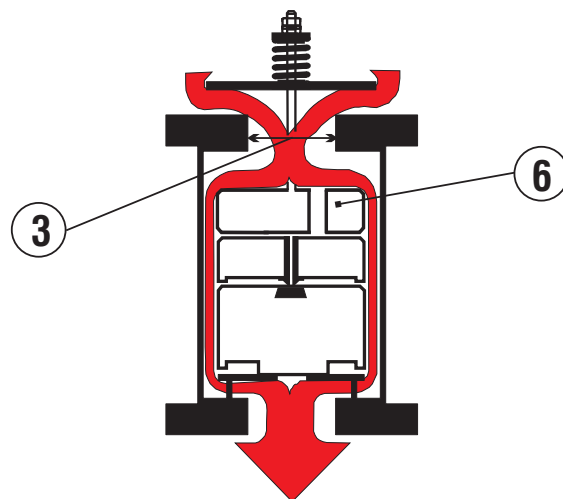
OPERATION**PRE NOTES:**

It is good engineering practice, for vertical turbine pumps and deepwell, submersible pump applications, to install air valves prior to the pump discharge check valve. The purpose of these valves is to prevent air entry into the pipeline and to break vacuum in the vertical riser upon pump shutoff.

Operation of conventional air valves in this application is such that the air in the vertical riser is released very rapidly upon pump startup, resulting in very high pressure transients when the water column slams the air valve shut and/or slams into the closed discharge check valve.

The Vent-O-Mat Series RBXb valve has specifically been developed for use on deep well submersible pump and vertical turbine pump applications where they are installed prior to the pump discharge check valve to fulfill the following functions:

- Provide effective and controlled release of air in the vertical riser upon pump startup.
- Dampen surge pressures upon pump startup.
- Provide vacuum protection when the pump stops and the vertical column drains.

VACUUM RELIEF (AIR INTAKE)

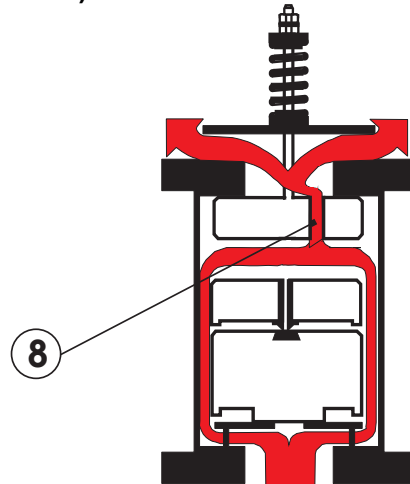
Upon pump stop, the pump discharge check valve closes. Liquid drains from the air valve and the pump's vertical column. The negative differential created by the draining liquid causes atmospheric air to push the "Anti-Shock" Float (6) down, opening the Large Orifice (3) and rapidly displaces the draining liquid to prevent potentially damaging internal negative pressure*.

***Note:** A differential pressure of less than 0.05 bar (0.725 psi) across the Large Orifice (3) is required to open the valve fully under vacuum conditions.

Series RBXb

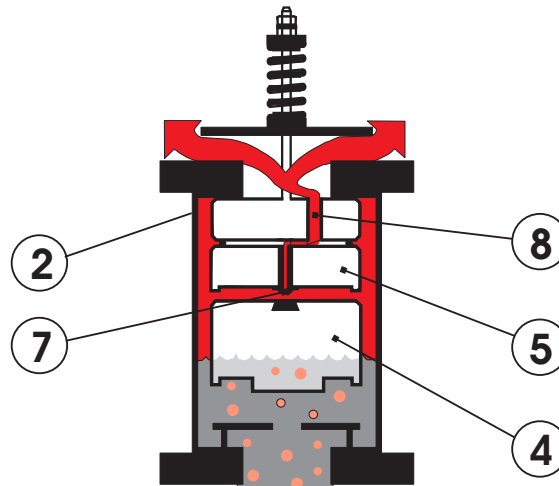
OPERATION

VENTING (PUMP START UP)



Air is forced through the "Anti-Shock" Orifice (8) resulting in the deceleration of the approaching water column due to the resistance of rising air pressure in the valve. This dampens transients when the air valve closes and the water column opens the pump, discharge check valve.

PRESSURIZED AIR RELEASE (PUMP OPERATING)

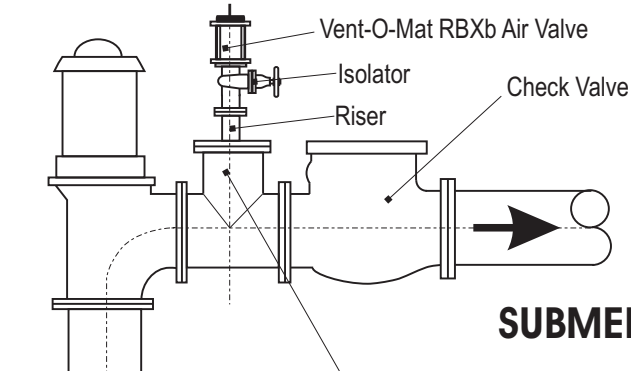


Liquid enters the valve Barrel Chamber (2) and the Floats (4), (5) are buoyed so that the "Anti-Shock" Orifice (8) is closed by the Floats (4), (5) the valve will then become internally pressurized.

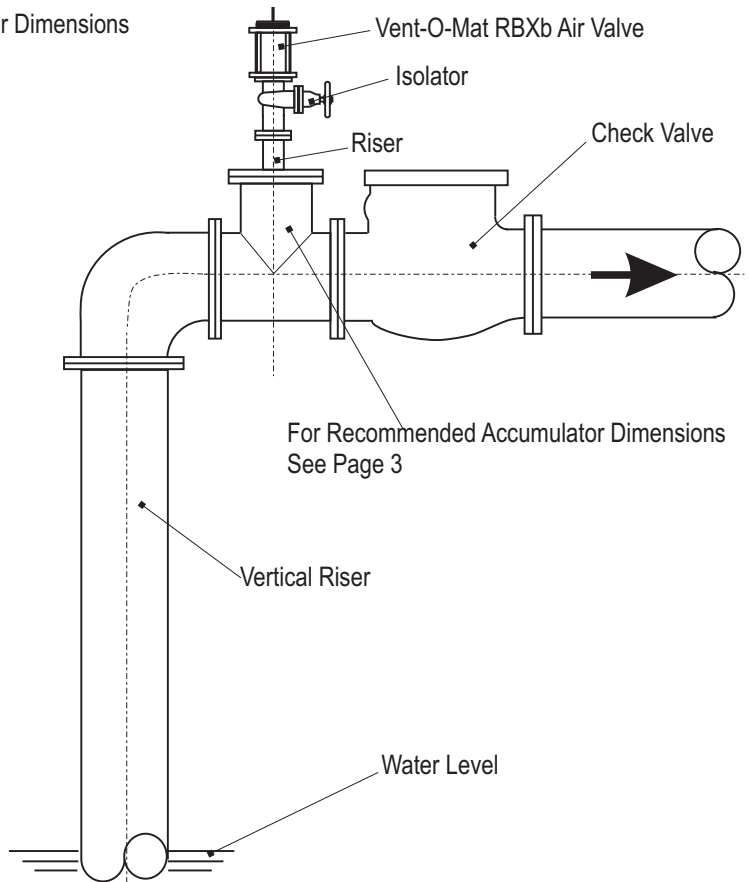
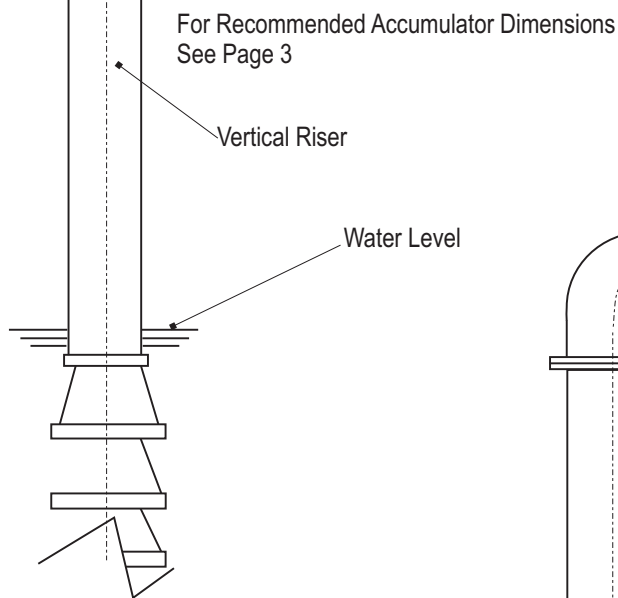
Disentrained air rises through the liquid and accumulates in the valve chamber when the volume of air is sufficient to displace the liquid, Float (4) will no longer be buoyant and will gravitate downwards thereby opening the Small Orifice (7) and allowing accumulated air to be discharged into atmosphere, as the air is discharged the liquid raises the Float (4) and reseals the Small Orifice (7) and prevents escape of liquid.

RECOMMENDED INSTALLATION ARRANGEMENTS

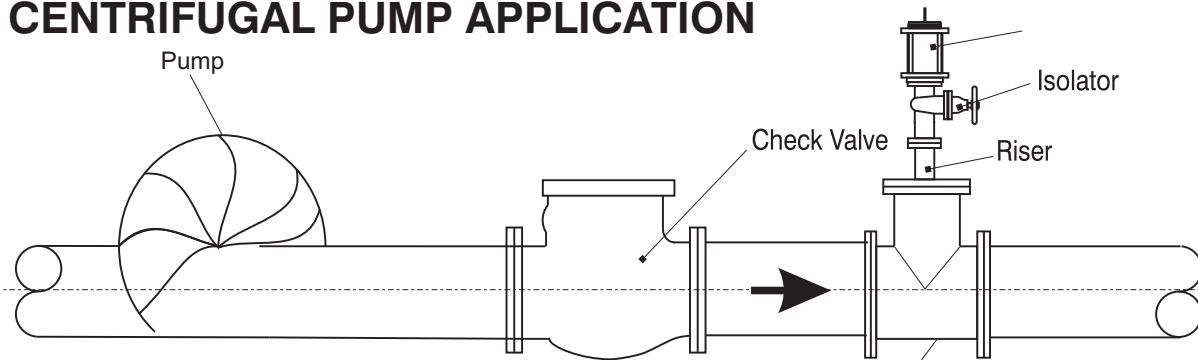
VERTICAL TURBINE PUMP APPLICATION



SUBMERSIBLE/DEEP WELL APPLICATION



CENTRIFUGAL PUMP APPLICATION



For Recommended Accumulator Dimensions See Page 3

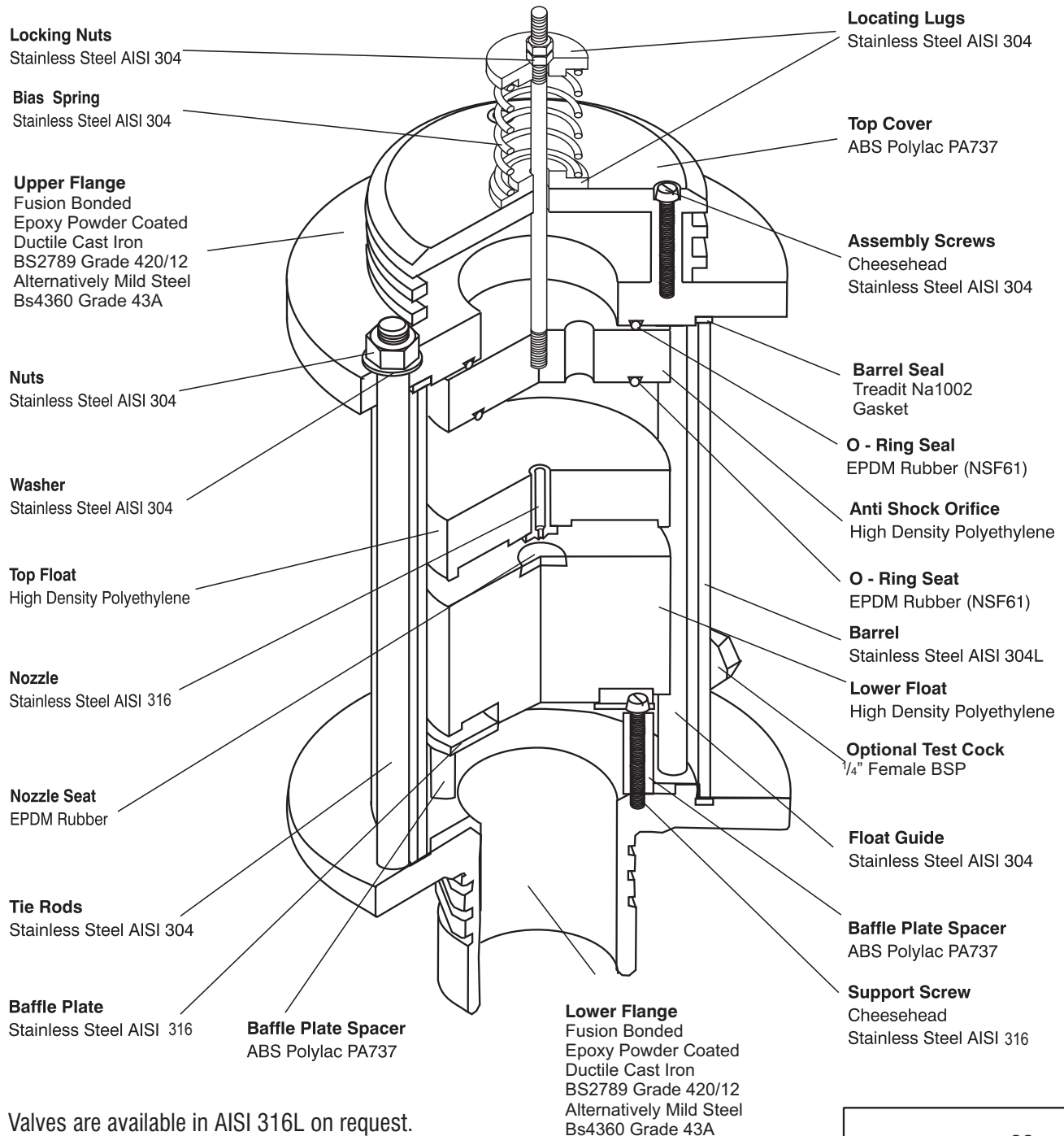
COMPONENT DESCRIPTION & MATERIAL SPECIFICATION SCREWED - DN25(1") & DN50(2")

Type:
Series RBXb - Double Orifice (Small & Large Orifice)
with *Bias* Mechanism.

End Connection:
Screwed BSP (ISO R7)/ NPT Male

Nominal Sizes:
DN25 (1")
DN50 (2")

Model No's:
RBXb 2511 & 2521 _____ PN25 (363 psi)
RBXb 4011 & 4021 _____ PN40 (580 psi)



Valves are available in AISI 316L on request.

information subject to change without prior notice

COMPONENT DESCRIPTION & MATERIAL SPECIFICATION FLANGED - DN80(3") & DN100(4")

Type:
Series RBXb - Double Orifice (Small & Large Orifice)
with *Bias Mechanism*.

End Connection:
Flange with screwed studs.

Nominal Sizes:

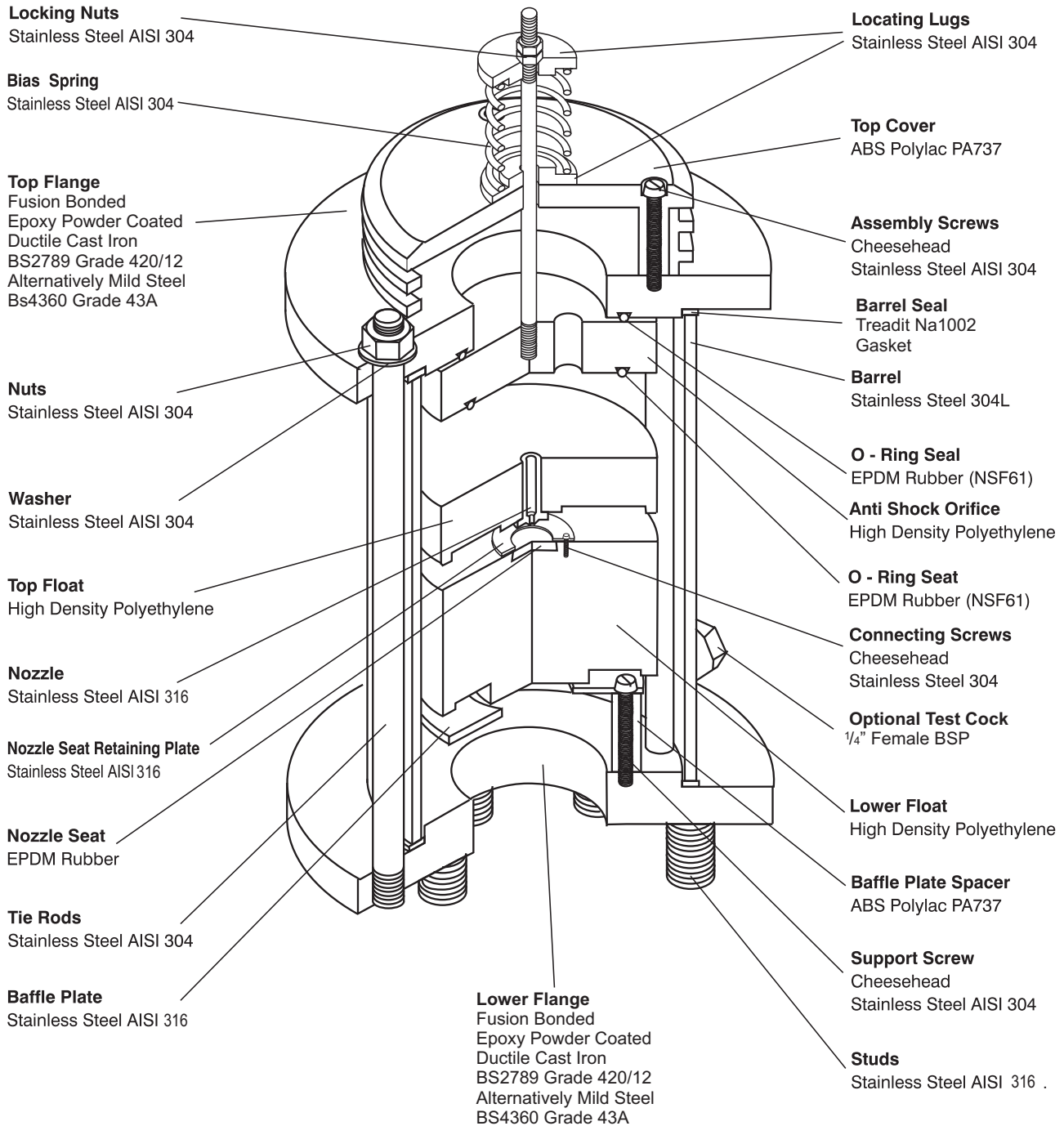
DN80 (3")
DN100 (4")

Model No's:

RBXb 1601 & 1631
RBXb 2501 & 2531
RBXb 4001 & 4031

Pressure Ratings:

PN16 (232 psi)
PN25 (363 psi)
PN40 (580 psi)



Valves are available in AISI 316L on request.

information subject to change without prior notice

COMPONENT DESCRIPTION & MATERIAL SPECIFICATION FLANGED - DN150(6") & DN200(8")

Type:
Series RBXb - Double Orifice (Small & Large Orifice)
with *Bias Mechanism*.

End Connection:
Flange.

Nominal Sizes:

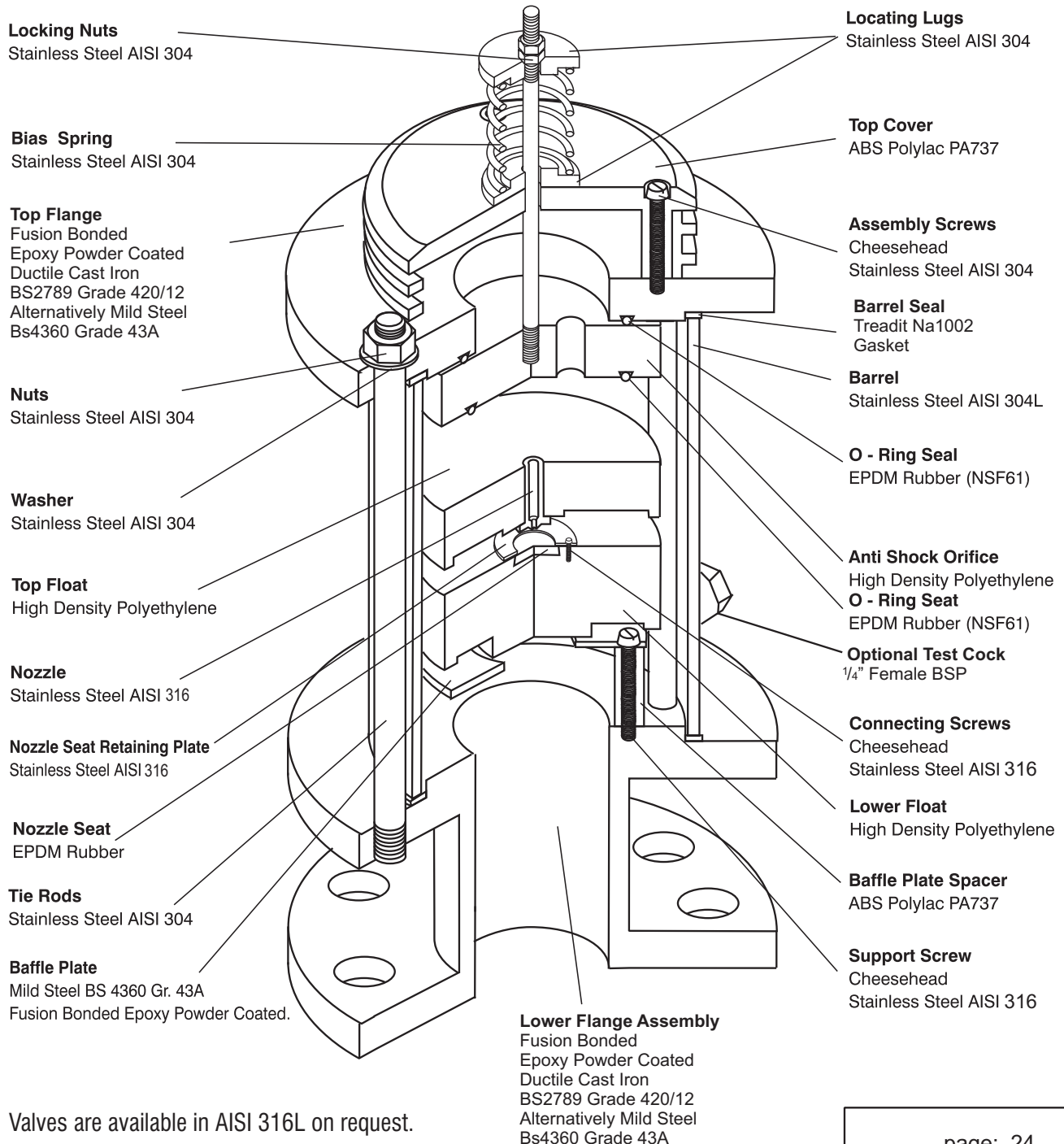
DN150 (6")
DN200 (8")

Model No's:

RBXb 1601 & 1631
RBXb 2501 & 2531
RBXb 4001 & 4031

Pressure Ratings:

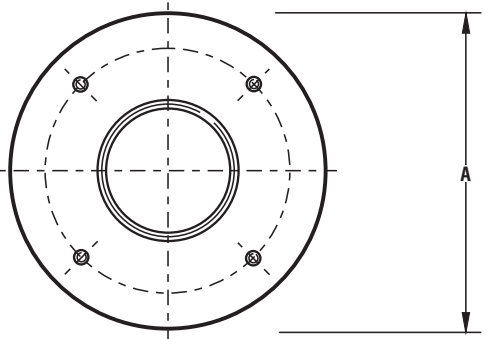
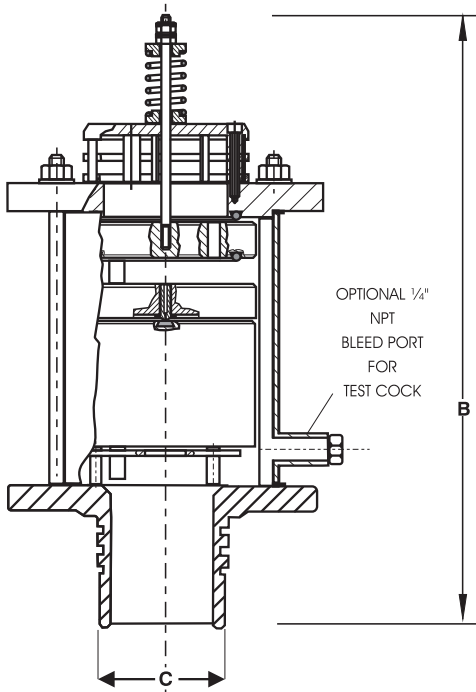
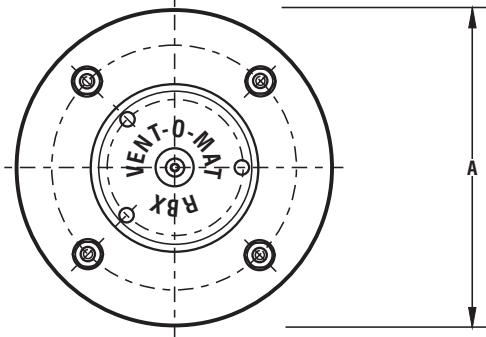
PN16 (232 psi)
PN25 (363 psi)
PN40 (580 psi)



Valves are available in AISI 316L on request.

information subject to change without prior notice

Series RBXb GENERAL SPECIFICATIONS SCREWED - DN25(1") & DN50(2")



Type:

Double Orifice (Small & Large Orifice) with *Bias* mechanism for large volume air intake and controlled air discharge.

End Connection:

Screwed BSP/ NPT male

Nominal Sizes:

DN25 (1") & DN50 (2")

Model No's:

RBXb 2511 & 2521 _____ PN 25 (363 psi)

RBXb 4011 & 4021 _____ PN 40 (580 psi)

Pressure Ratings bar (psi):

Operating Pressure Range - bar (psi):

	Min.	Max.
PN25 (363 psi)	0.5 (7.25)	25 (363)
PN40 (580 psi)	0.5 (7.25)	40 (580)

Operating Temperature Range:

4°C (40°F) to 80°C (176°F)

Acceptable Media:

Potable or strained raw water.

Function:

- i) Controlled air discharge - pipeline filling
- ii) Pressurized air discharge - pipeline filled.
- lii) Surge dampening - high velocity air discharge, water column separation & liquid oscillation.
- iv) High volume air intake - pipeline draining.

Materials of Construction: - see page 22

Installation:- see page 21

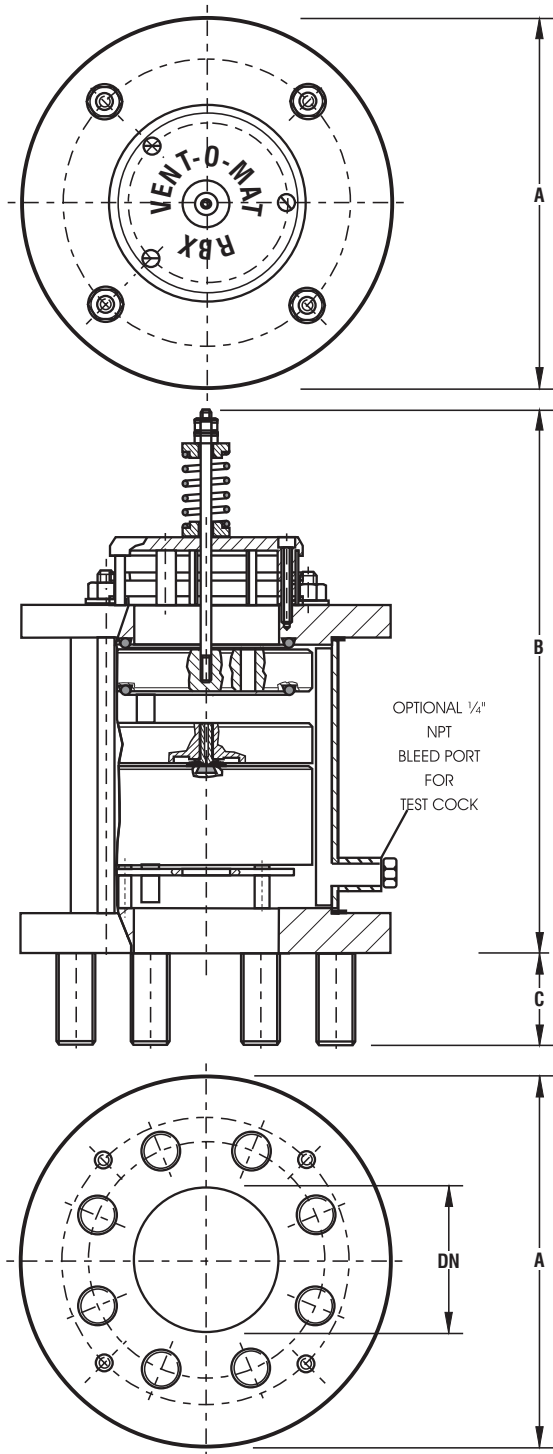
Standard Factory Tests:

- i) Hydrostatic - 1.5 x max. rated working pressure
- ii) Low head leak - 0.5 bar (7.25 psi)
- iii) Small orifice function at max. rated working pressure (minimum 1 valve in 10).

OVERALL DIMENSIONS & WEIGHTS

DN mm in.	MODEL No.	PRESSURE RATING	A		B		C	WEIGHT	
			mm	in.	mm	in.		kg.	lbs
25 1"	025 RBXb 2511 & 2521	PN25 (363 psi)	120	4 ³ / ₄	335	13 ³ / ₁₆	1" BSP/NPT	5	11
25 1"	025 RBXb 4011 & 4021	PN40 (580 psi)	120	4 ³ / ₄	387	15 ¹ / ₄	1" BSP/NPT	5.5	12.2
50 2"	050 RBXb 2511 & 2521	PN25 (363 psi)	165	6 ¹ / ₂	395	15 ⁹ / ₁₆	2" BSP/NPT	9.5	21
50 2"	050 RBXb 4011 & 4021	PN40 (580 psi)	165	6 ¹ / ₂	410	16 ¹ / ₇	2" BSP/NPT	10	22

Series RBXb GENERAL SPECIFICATIONS FLANGED - DN80(3") & DN100(4")



Type:

Double Orifice (Small & Large Orifice) with *Bias* mechanism for large volume air intake and controlled air discharge.

End Connection:

Flange with Screwed Studs for Alignment to;
BS 4504 PN10, PN16, PN25 & PN40
SABS 1123 - Tables 1000/3, 1600/3, 2500/3 & 4000/3
ANSI B16.5 Class 150 & Class 300

Nominal Sizes:

DN80 (3") & DN100 (4")

Model No's:

RBXb 1601 & 1631 _____ PN 16 (232 psi)
RBXb 2501 & 2531 _____ PN 25 (363 psi)
RBXb 4001 & 4031 _____ PN 40 (580 psi)

Pressure Ratings bar (psi):

Operating Pressure Range - bar (psi):

	Min.	Max.
PN16 (232 psi)	0.5 (7.25)	16 (232)
PN25 (363 psi)	0.5 (7.25)	25 (363)
PN40 (580 psi)	0.5 (7.25)	40 (580)

Operating Temperature Range:

4°C (40°F) to 80°C (176°F)

Acceptable Media:

Potable or strained raw water.

Function:

- i) Controlled air discharge - pipeline filling.
- ii) Pressurized air discharge - pipeline filled.
- iii) Surge dampening - high velocity air discharge, water column separation & liquid oscillation.
- iv) High volume air intake - pipeline draining.

Materials of Construction: - see page 23

Installation: - see page 21

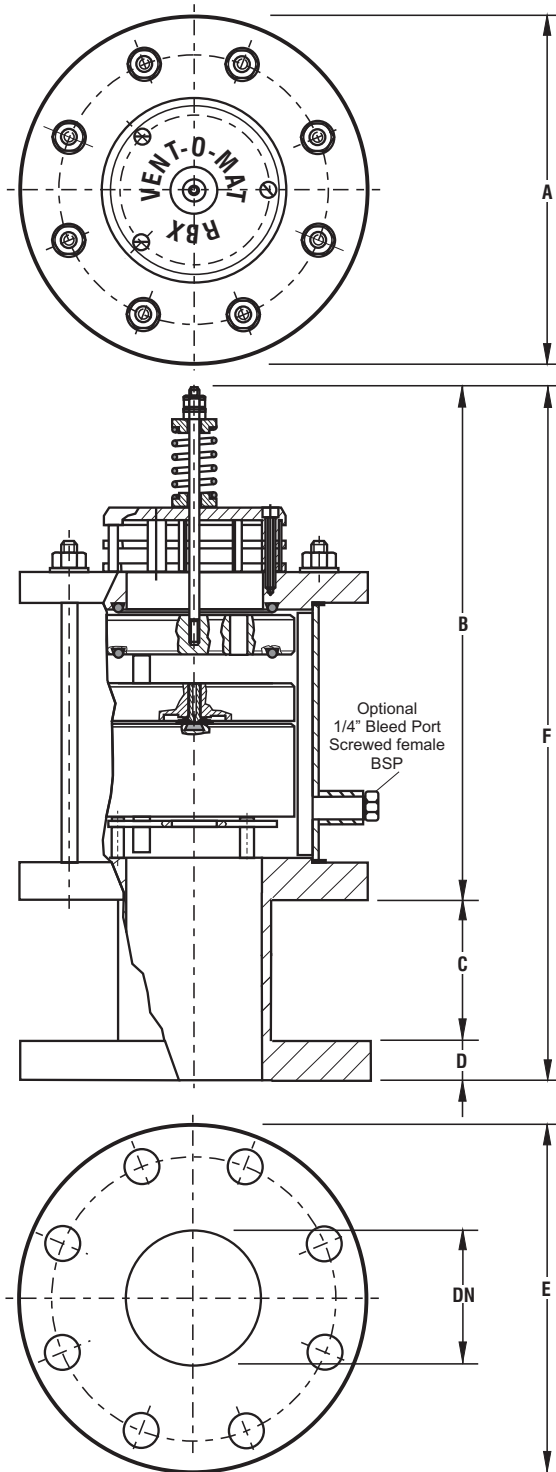
Standard Factory Tests:

- i) Hydrostatic - 1.5 x max. rated working pressure
- ii) Low head leak - 0.5 bar (7.25 psi)
- iii) Small orifice function at max. rated working pressure (minimum 1 valve in 10).

OVERALL DIMENSIONS & WEIGHTS

DN		MODEL No.	PRESSURE RATING	A		B		C		WEIGHT	
mm	in			mm	in	mm	in	mm	in	kg.	lbs
80	3	080 RBXb 1601 & 1631	PN16 (232 psi)	235	9 ¹ / ₄	460	18 ¹ / ₁₀	50	1 ¹⁵ / ₁₆	23	50.7
80	3	080 RBXb 2501 & 2531	PN25 (363 psi)	235	9 ¹ / ₄	460	18 ¹ / ₁₀	50	1 ¹⁵ / ₁₆	23	50.7
80	3	080 RBXb 4001 & 4031	PN40 (580 psi)	235	9 ¹ / ₄	475	18 ⁷ / ₁₀	50	1 ¹⁵ / ₁₆	24.5	54
100	4	100 RBXb 1601 & 1631	PN16 (232 psi)	235	9 ¹ / ₄	475	18 ⁷ / ₁₀	50	1 ¹⁵ / ₁₆	22.5	49.6
100	4	100 RBXb 2501 & 2531	PN25 (363 psi)	235	9 ¹ / ₄	480	18 ⁹ / ₁₀	60	2 ³ / ₈	22.5	49.6
100	4	100 RBXb 4001 & 4031	PN40 (580 psi)	235	9 ¹ / ₄	513	20 ² / ₁₀	60	2 ³ / ₈	24	52.9

Series RBXb GENERAL SPECIFICATIONS FLANGED - DN150(6") & DN200(8")



Type:

Double Orifice (Small & Large Orifice) with *Bias* mechanism for large volume air intake and controlled air discharge.

End Connection:

Flange for Alignment to:
BS 4504 PN10, PN16, PN25 & PN40
SABS 1123 - Tables 1000/3, 1600/3, 2500/3 & 4000/3
ANSI B16.5 Class 150 & Class 300

Nominal Sizes:

DN150 (6") & DN200 (8")

Model No's:

RBXb 1601 & 1631 _____ PN 16 (232 psi)
RBXb 2501 & 2531 _____ PN 25 (363 psi)
RBXb 4001 & 4031 _____ PN 40 (580 psi)

Pressure Ratings bar (psi):

Operating Pressure Range - bar (psi):

	Min.	Max.
PN16 (232 psi)	0.5 (7.25)	16 (232)
PN25 (363 psi)	0.5 (7.25)	25 (363)
PN40 (580 psi)	0.5 (7.25)	40 (580)

Operating Temperature Range:

4°C (40°F) to 80°C (176°F)

Acceptable Media:

Potable or strained raw water.

Function:

- Controlled air discharge - pipeline filling.
- Pressurized air discharge - pipeline filled.
- Surge dampening - high velocity air discharge, water column separation & liquid oscillation.
- High volume air intake - pipeline draining.

Materials of Construction: - see page 24

Installation: - see page 21

Standard Factory Tests:

- Hydrostatic - 1.5 x max. rated working pressure
- Low head leak - 0.5 bar (7.25 psi)
- Small orifice function at max. rated working pressure (minimum 1 valve in 10).

OVERALL DIMENSIONS & WEIGHTS

DN mm in	MODEL No.	PRESSURE RATING	A		B		C		D		E		F		WEIGHT	
			mm	in	mm	in	mm	in	mm	in	mm	in	mm	in	kg.	lbs
150 6	150 RBXb 1601 & 1631	PN16 (232 psi)	355	13 ¹⁵ / ₁₆	630	24 ⁸ / ₁₀	133	5 ¹ / ₄	22	7 ⁷ / ₈	285	11 ¹ / ₅	785	30 ⁹ / ₁₀	69.5	153
150 6	150 RBXb 2501 & 2531	PN25 (363 psi)	355	13 ¹⁵ / ₁₆	630	24 ⁸ / ₁₀	127	5	28	1 ¹ / ₁₀	300	11 ⁹ / ₁₀	785	30 ⁹ / ₁₀	69.5	153
150 6	150 RBXb 4001 & 4031	PN40 (580 psi)	355	13 ¹⁵ / ₁₆	630	24 ⁸ / ₁₀	127	5	28	1 ¹ / ₁₀	300	11 ⁹ / ₁₀	785	30 ⁹ / ₁₀	75.5	166
200 8	200 RBXb 1601 & 1631	PN16 (232 psi)	405	15 ¹⁵ / ₁₆	670	26 ³ / ₈	151	5 ¹⁵ / ₁₆	24	1	340	13 ³ / ₈	845	33 ³ / ₇	97.5	215
200 8	200 RBXb 2501 & 2531	PN25 (363 psi)	405	15 ¹⁵ / ₁₆	670	26 ³ / ₈	145	5 ⁷ / ₁₀	30	1 ³ / ₁₆	360	14 ¹ / ₈	845	33 ³ / ₇	97.5	215
200 8	200 RBXb 4001 & 4031	PN40 (580 psi)	405	15 ¹⁵ / ₁₆	670	26 ³ / ₈	141	5 ⁹ / ₁₆	34	1 ¹ / ₃	370	14 ⁹ / ₁₆	845	33 ³ / ₇	108.5	239

PURCHASE SPECIFICATION

VENT -O- MAT MODEL NO.

Page 25 - Series RBXb - DN25 (1") or DN50 (2") with BSP (ISO R7) or NPT, Screwed Male Connection.

Page 26 - Series RBXb - DN80 (3") or DN100 (4") Flanged Connection.

Page 27 - Series RBXb - DN150 (6") or DN200 (8") Flanged Connection.

CONSTRUCTION & DESIGN

The air release & vacuum break valve shall be of the compact single chamber design with solid cylindrical H.D.P.E. control floats housed in a tubular Stainless Steel body with epoxy powder coated Mild Steel or Stainless Steel ends secured by means of Stainless Steel Tie Rods.

The valve shall have an integral 'Anti-Shock' Orifice mechanism which shall operate automatically to limit transient pressure rise or shock induced by closure to 1.5 x valve rated working pressure.

The intake orifice area shall be equal to the nominal size of the valve i.e., a 150mm (6") valve shall have a 150mm (6") intake orifice.

Large orifice sealing shall be effected by the flat face of the control float seating against a EPDM rubber 'O' ring housed in a dovetail groove circumferentially surrounding the orifice.

Discharge of pressurized air shall be controlled by the seating & unseating of a Small Orifice Nozzle on a EPDM rubber seal affixed into the control float. The Nozzle shall have a flat seating land surrounding the orifice so that the damage to the rubber seal is prevented.

The valve construction shall be proportioned with regard to material strength characteristics, so that deformation, leaking or damage of any kind does not occur by submission to one and a half times the designed working pressure.

The valve design shall incorporate an over pressure safety feature that will fail without an explosive effect, such as is normally the case when highly compressed air is released suddenly. The feature shall consist of easily replaceable components such as gaskets, seals or the like.

Connection to the valve inlet shall be facilitated by a screwed BSP (ISO R7) or NPT male end (DN25 (1") & DN50 (2") only) or a flanged end conforming to PN10, 16, 25 or 40 ratings of BS4504 or SABS 1123 Standards or, ANSI B16.5 Class 150 & Class 300 Standards.

Flanged ends for DN80 and DN100 shall be supplied with the requisite number of Stainless Steel screwed studs inserted for alignment to the specified standard. **Nuts, washers, or jointing gaskets shall be excluded.**

Optional: Provision of a ¼" BSP/ NPT Test/ Bleed Cock.

OPERATION

1. Prior to the ingress of liquid into the valve chamber, as when the pipeline is being filled, valves shall vent through the "Anti-Shock" Orifice and reduce water approach velocity, so that on closure a maximum transient pressure rise of < 1.5 x valve rated pressure is realised.
2. Valves shall not exhibit leaks or weeping of liquid past the large orifice seal at operating pressures of 0.5 bar (7.25 psi) to one and half times the rated working pressure.
3. Valves shall respond to the presence of air by discharging it through the small orifice at any pressures within a specified design range, i.e. 0.5 bar (7.25 psi) to 16 bar (232 psi), 25 bar (363psi) or 40 bar (580 psi), and shall remain leak tight in the absence of air.
4. Valves shall react immediately to pipeline drainage or water column separation by the full opening of the large orifice so as to allow unobstructed air intake at the lowest possible negative internal pipeline pressure.

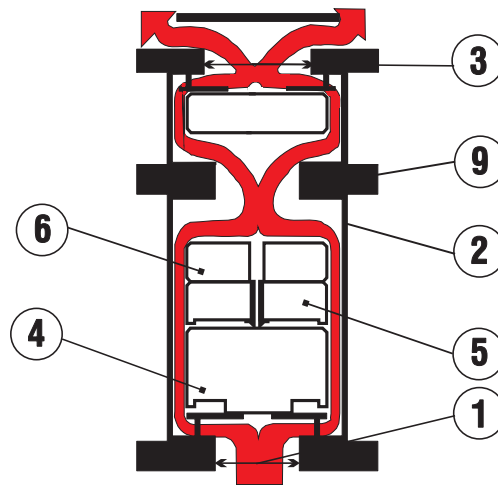
Series RBXv OPERATION

PRE NOTES:

There are instances where the hydraulic gradeline falls below a peak point during normal operation and where air inflow would adversely affect the normal operation and surge characteristic of the pipeline. Air intake may also be undesirable under pump trip conditions for pipelines running through a marsh (surge protection in these instances would be in the form of surge vessels and/or the pipeline will be designed for full vacuum).

Vent-O-Mat offers the Series RBXv valve which has specifically been developed to ensure effective air release under all pipeline conditions but will not allow air entry under any operating condition.

VENTING OF A FILLING PIPELINE (SUB CRITICAL WATER APPROACH VELOCITY)



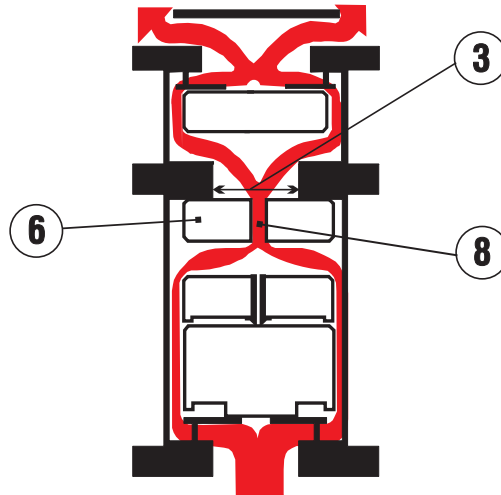
Air enters Orifice (1), travels through the annular space between the cylindrical floats (4) , (5), (6) and discharges through the Large Orifice (3) into atmosphere.*

***Note:** A relatively low flow discharge rate is required to lift float and ensure air release. Float will seat on the Middle Flange (9) under vacuum conditions, effectively preventing air Entry.

Series RBXv

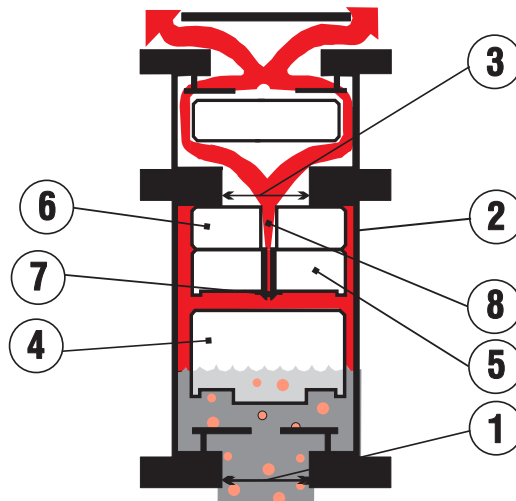
OPERATION

VENTING OF A FILLING PIPELINE (EXCESSIVE WATER APPROACH VELOCITY)



In reaction to increased air flow, Float (6) closes Large Orifice and air is forced through the "Anti-Shock" Orifice resulting in deceleration of the approaching water due to the resistance of rising air pressure in the valve.

PRESSURIZED AIR RELEASE FROM A FULL PIPELINE



Subsequent to the filling of a pipeline, liquid enters the valve Barrel Chamber (2) and the Floats (4), (5) and (6) are buoyed so that the "Anti-Shock" Orifice (8) is closed by the Float (5) and the valve will then become pressurized. A minimal working pressure of <math><0.5\text{ bar}</math> (7.3 psi) acting on a relatively large area of the Orifice (1) will lock Floats (5) and (6) into the closed position across the Large Orifice (3).

Disentrained air rises through the liquid and accumulates in the valve chamber, when the volume of air is sufficient to displace the liquid, Float (4) will no longer be buoyant and will gravitate downwards thereby opening the Small Orifice (7) and allowing accumulated air to be discharged into atmosphere, as air is discharged the liquid raises Float (4) and reseals the Small Orifice (7) and prevents escape of liquid.

COMPONENT DESCRIPTION & MATERIAL SPECIFICATION SCREWED - DN25(1") & DN50(2")

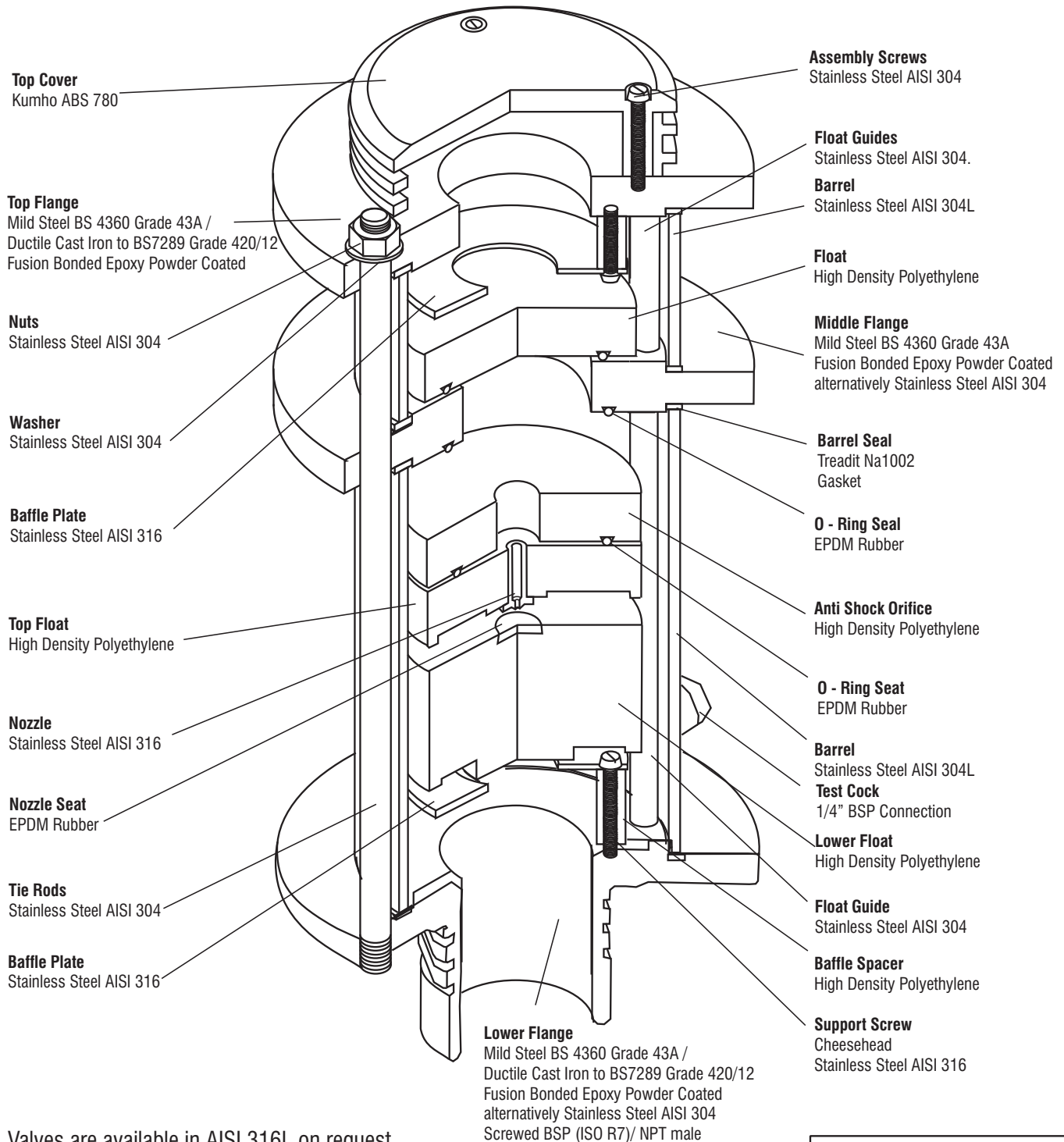
Type:
Series RBXv - Triple Orifice with *Bias* Mechanism

End Connection:
Screwed BSP (ISO R7)/ NPT Male

Nominal Sizes:
DN25 (1")
DN50 (2")

Model No's:
RBXv 2511 & 2521 _____
RBXv 4011 & 4021 _____

Pressure Ratings:
PN25 (363 psi)
PN40 (580 psi)



Valves are available in AISI 316L on request.

information subject to change without prior notice

COMPONENT DESCRIPTION & MATERIAL SPECIFICATION FLANGED - DN80(3") & DN100(4")

Type:
Series RBXv - Triple Orifice with *Bias* Mechanism

End Connection:
Flange

Nominal Sizes:

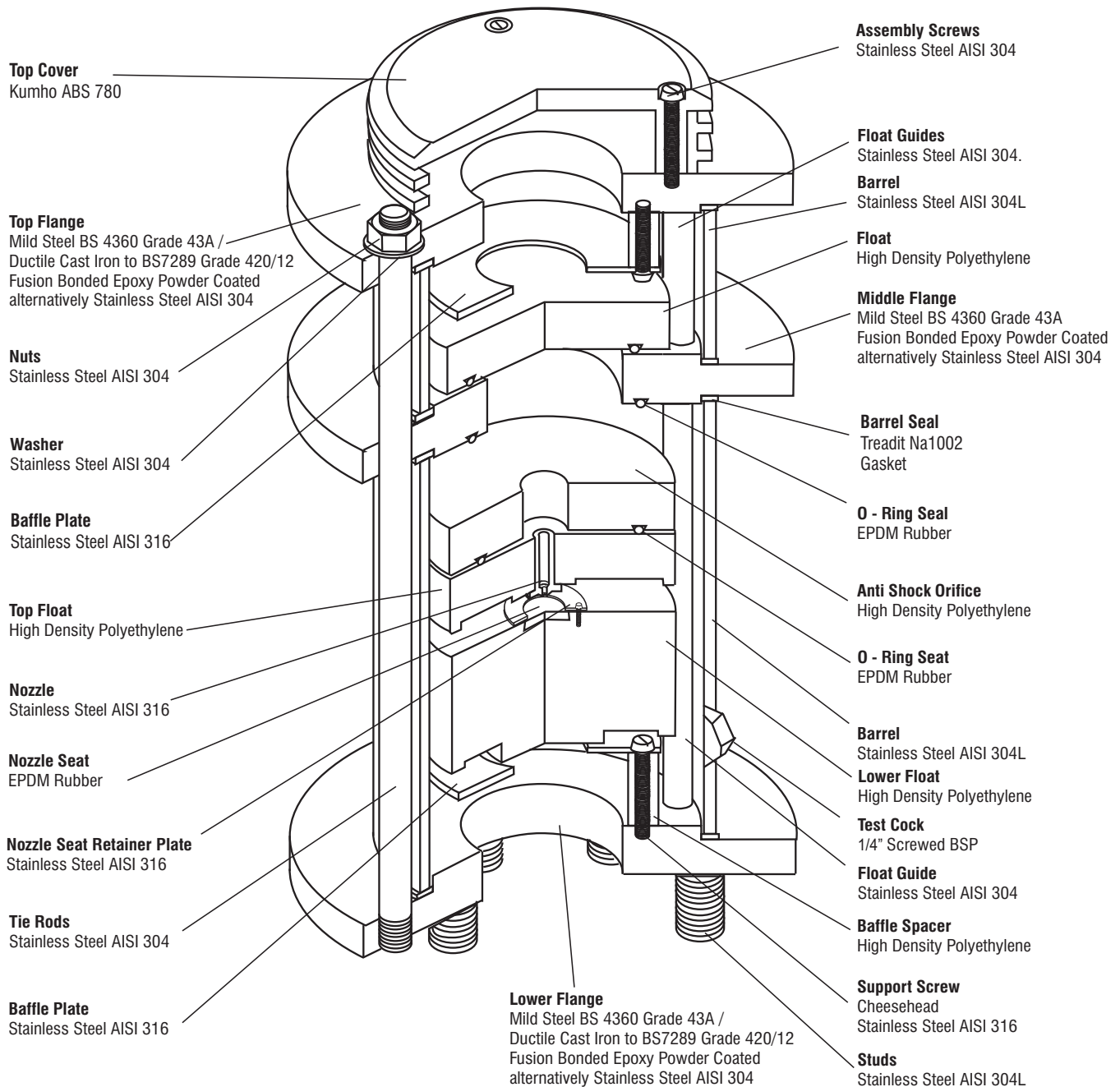
DN80 (3")
DN100 (4")

Model No's:

RBXv 1601 & 1631
RBXv 2501 & 2531
RBXv 4001 & 4031

Pressure Ratings:

PN16 (232 psi)
PN25 (363 psi)
PN40 (580 psi)



Valves are available in AISI 316L on request.

information subject to change without prior notice

COMPONENT DESCRIPTION & MATERIAL SPECIFICATION FLANGED - DN150(6") & DN200(8")

Type:
Series RBXv - Triple Orifice with *Bias* Mechanism

End Connection:
Flange

Nominal Sizes:

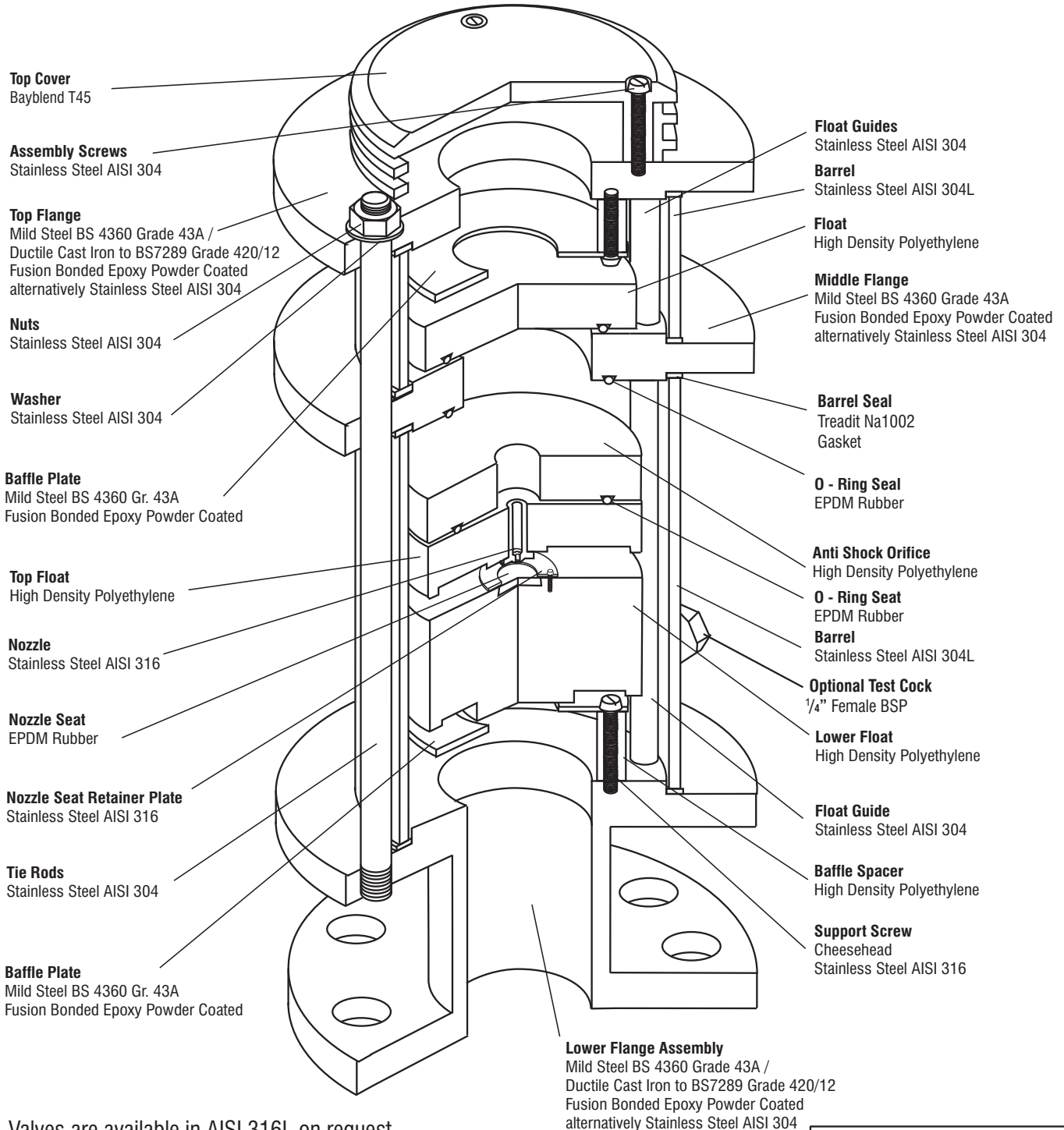
DN150 (3")
DN200 (4")

Model No's:

RBXv 1601 & 1631 _____
RBXv 2501 & 2531 _____
RBXv 4001 & 4031 _____

Pressure Ratings:

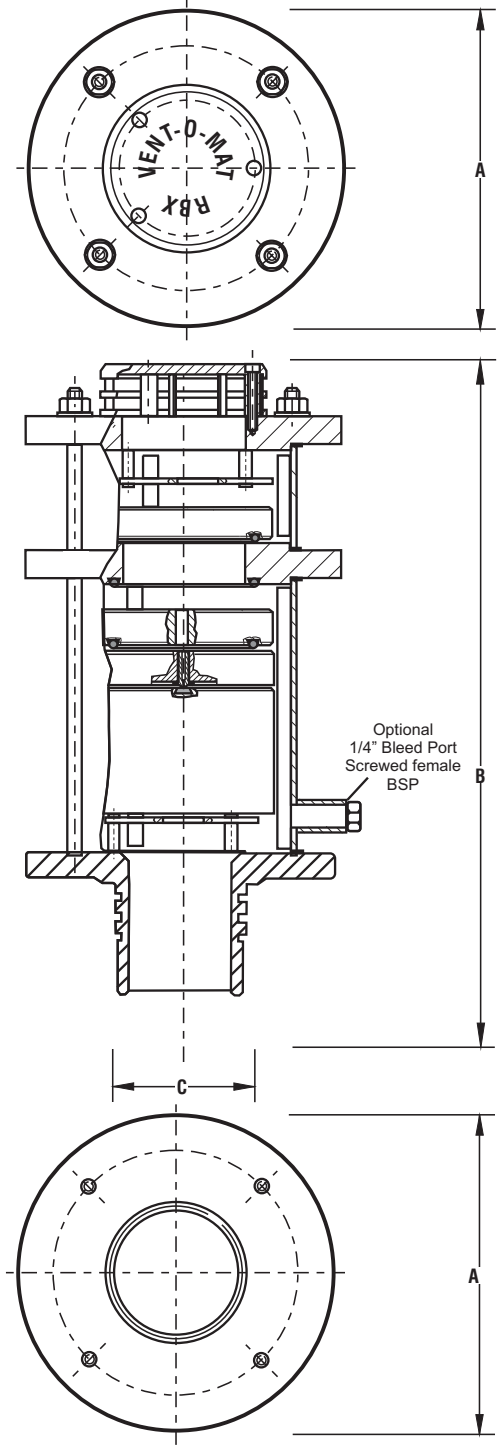
PN16 (232 psi)
PN25 (363 psi)
PN40 (580 psi)



Valves are available in AISI 316L on request.

information subject to change without prior notice

Series RBXv GENERAL SPECIFICATIONS SCREWED - DN25(1") & DN50(2")



Type:

Triple Orifice Air Vent Valve with *Bias* mechanism for air discharge but not air re-entry.

End Connection:

Screwed BSP/ NPT male

Nominal Sizes:

DN25 (1") & DN50 (2")

Model No's:

RBXv 2511 & 2521 _____ PN 25 (363 psi)

RBXv 4011 & 4021 _____ PN 40 (580 psi)

Pressure Ratings - bar (psi):

Operating Pressure Range - bar (psi):

	Min.	Max.
PN25 (363 psi)	0.5 (7.25)	25 (363)
PN40 (580 psi)	0.5 (7.25)	40 (580)

Operating Temperature Range:

4°C (40°F) to 80°C (179°F)

Acceptable Media:

Potable or strained raw water.

Function:

- i) High volume air discharge - pipeline filling
- ii) Pressurized air discharge - pipeline filled.
- iii) Surge dampening - high velocity air discharge.

Materials of Construction: - see page 31

Installation:- see page 3

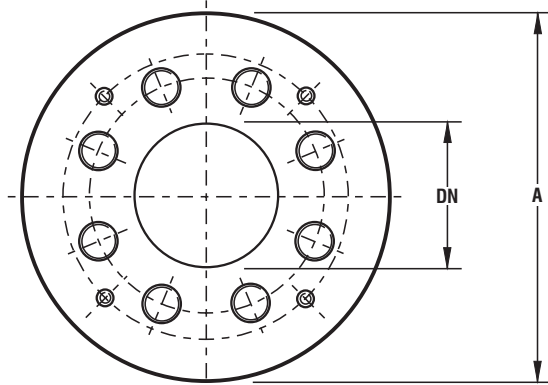
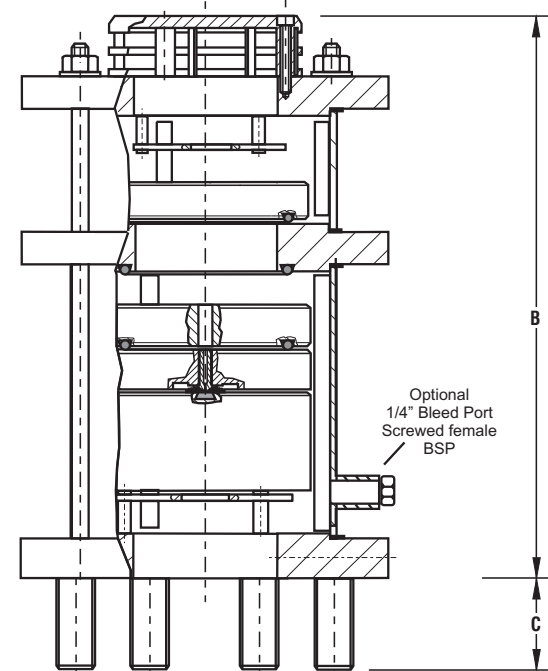
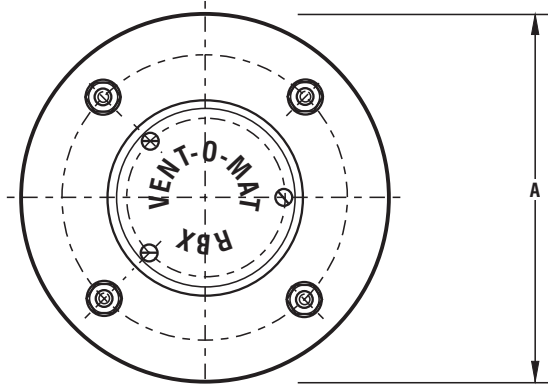
Standard Factory Tests:

- i) Hydrostatic - 1.5 x max. rated working pressure
- ii) Low head leak - 0.5 bar (7.25 psi)
- iii) Small orifice function at max. rated working pressure (minimum 1 valve in 10).

OVERALL DIMENSIONS & WEIGHTS

DN	MODEL No.	PRESSURE RATING	A		B		C	WEIGHT	
			mm	in.	mm	in.		kg.	lbs
25	025 RBXv 2511 & 2521	PN25 (363 psi)	120	4 3/4	328	12 9/10	1" BSP/NPT	6.5	14.3
25	025 RBXv 4011 & 4021	PN40 (580 psi)	120	4 3/4	380	14 15/16	1" BSP/NPT	7	15.4
50	050 RBXv 2511 & 2521	PN25 (363 psi)	165	6 1/2	432	17	2" BSP/NPT	13	28.6
50	050 RBXv 4011 & 4021	PN40 (580 psi)	165	6 1/2	447	17 6/10	2" BSP/NPT	13.5	29.8

Series RBXv GENERAL SPECIFICATIONS FLANGED - DN80(3") & DN100(4")



Type:

Triple Orifice Air Vent Valve with *Bias* mechanism for air discharge but not air re-entry.

End Connection:

Flange with Screwed Studs for Alignment to;
BS4504 PN10, PN16, PN25 & PN40
SABS 1123 - Tables 1000/3, 1600/3, 2500/3 & 4000/3
ANSI B16.5 Class 150 & Class 300

Nominal Sizes:

DN80(3") & DN100(4")

Model No's:

RBXv 1601 & 1631 _____ PN 16 (232 psi)
RBXv 2501 & 2531 _____ PN 25 (363 psi)
RBXv 4001 & 4031 _____ PN 40 (580 psi)

Pressure Ratings - bar (psi):

Operating Pressure Range - bar (psi):

	Min.	Max.
PN16 (232 psi)	0.5 (7.25)	16 (232)
PN25 (363 psi)	0.5 (7.25)	25 (363)
PN40 (580 psi)	0.5 (7.25)	40 (580)

Operating Temperature Range:

4°C (40°F) to 80°C (179°F)

Acceptable Media:

Potable or strained raw water.

Function:

- i) High volume air discharge - pipeline filling.
- ii) Pressurized air discharge - pipeline filled.
- iii) Surge dampening - high velocity air discharge.

Materials of Construction: - see page 32

Installation: - see page 3

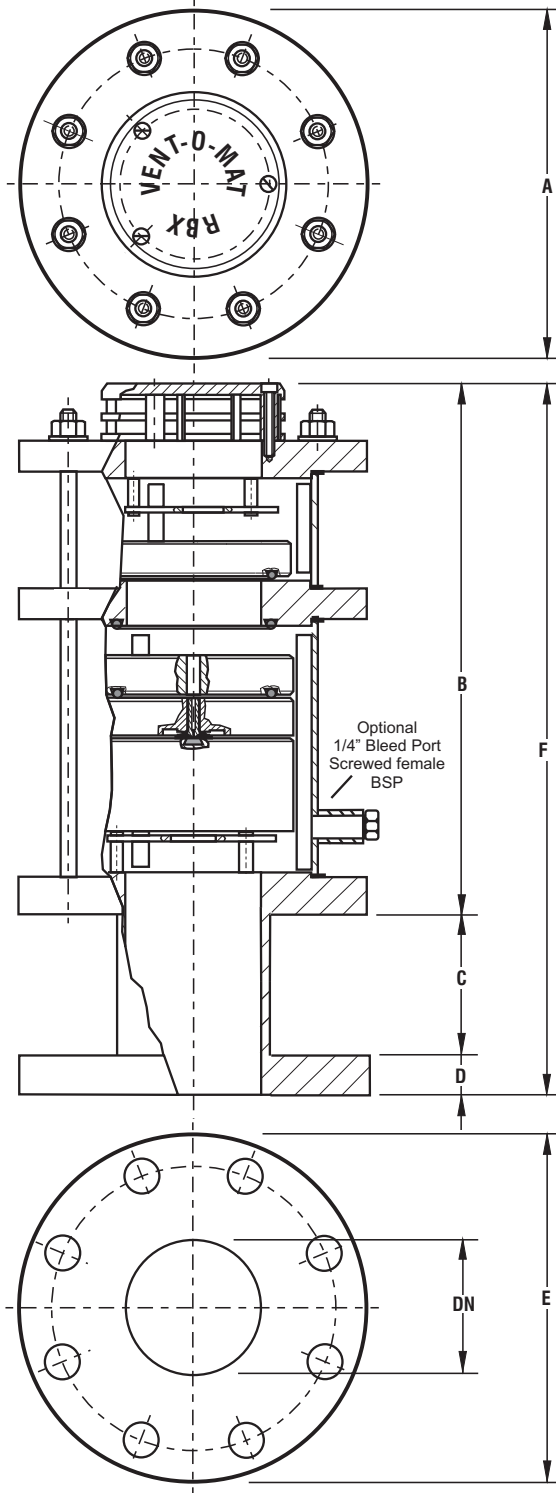
Standard Factory Tests:

- i) Hydrostatic - 1.5 x max. rated working pressure
- ii) Low head leak - 0.5 bar (7.25 psi)
- iii) Small orifice function at max. rated working pressure (minimum 1 valve in 10).

OVERALL DIMENSIONS & WEIGHTS

DN		MODEL No.	PRESSURE RATING	A		B		C		WEIGHT	
mm	in			mm	in	mm	in	mm	in	kg.	lbs
80	3	080 RBXv 1601 & 1631	PN16 (232 psi)	235	9 ¹ / ₄	484	19	50	1 ¹⁵ / ₁₆	31.5	69.4
80	3	080 RBXv 2501 & 2531	PN25 (363 psi)	235	9 ¹ / ₄	484	19	50	1 ¹⁵ / ₁₆	31.5	69.4
80	3	080 RBXv 4001 & 4031	PN40 (580 psi)	235	9 ¹ / ₄	499	19 ⁶ / ₉	50	1 ¹⁵ / ₁₆	33	72.7
100	4	100 RBXv 1601 & 1631	PN16 (232 psi)	235	9 ¹ / ₄	499	19 ⁶ / ₉	50	1 ¹⁵ / ₁₆	31	68.3
100	4	100 RBXv 2501 & 2531	PN25 (363 psi)	235	9 ¹ / ₄	504	18 ⁶ / ₇	60	2 ³ / ₈	31	68.3
100	4	100 RBXv 4001 & 4031	PN40 (580 psi)	235	9 ¹ / ₄	537	21 ¹ / ₈	60	2 ³ / ₈	32.5	71.6

Series RBXv GENERAL SPECIFICATIONS FLANGED - DN150(6") & DN200(8")



Type:

Triple Orifice Air Vent Valve with *Bias* mechanism for air discharge but not air re-entry.

End Connection:

Flange for Alignment to:
BS4504 PN10, PN16, PN25 & PN40
SABS 1123 - Tables 1000/3, 1600/3, 2500/3 & 4000/3
ANSI B16.5 Class 150 & Class 300

Nominal Sizes:

DN150(6") & DN200(8")

Model No's:

RBXv 1601 & 1631 _____ PN 16 (232 psi)
RBXv 2501 & 2531 _____ PN 25 (363 psi)
RBXv 4001 & 4031 _____ PN 40 (580 psi)

Pressure Ratings - bar (psi):

Operating Pressure Range - bar (psi):

	Min.	Max.
PN16 (232 psi)	0.5 (7.25)	16 (232)
PN25 (363 psi)	0.5 (7.25)	25 (363)
PN40 (580 psi)	0.5 (7.25)	40 (580)

Operating Temperature Range:

4°C (40°F) to 80°C (179°F)

Acceptable Media:

Potable or strained raw water.

Function:

- High volume air discharge - pipeline filling.
- Pressurized air discharge - pipeline filled.
- Surge dampening - high velocity air discharge.

Materials of Construction: - see page 33

Installation: - see page 3

Standard Factory Tests:

- Hydrostatic - 1.5 x max. rated working pressure
- Low head leak - 0.5 bar (7.25 psi)
- Small orifice function at max. rated working pressure (minimum 1 valve in 10).

OVERALL DIMENSIONS & WEIGHTS

DN mm in	MODEL No.	PRESSURE RATING	A		B		C		D		E		F		WEIGHT	
			mm	in	mm	in	mm	in	mm	in	mm	in	mm	in	kg	lbs
150 6	150 RBXv 1601 & 1631	PN16 (232 psi)	355	13 ¹⁵ / ₁₆	640	25 ¹ / ₁₀	133	5 ¹ / ₄	22	7 ⁷ / ₈	285	11 ¹ / ₅	795	31 ³ / ₁₀	96	211.6
150 6	150 RBXv 2501 & 2531	PN25 (363 psi)	355	13 ¹⁵ / ₁₆	640	25 ¹ / ₁₀	127	5	28	1 ¹ / ₁₀	300	11 ⁹ / ₁₀	795	31 ³ / ₁₀	96	211.6
150 6	150 RBXv 4001 & 4031	PN40 (580 psi)	355	13 ¹⁵ / ₁₆	640	25 ¹ / ₁₀	127	5	28	1 ¹ / ₁₀	300	11 ⁹ / ₁₀	795	31 ³ / ₁₀	102	224.8
200 8	200 RBXv 1601 & 1631	PN16 (232 psi)	405	15 ¹⁵ / ₁₆	700	27 ⁵ / ₉	151	5 ¹⁵ / ₁₆	24	1	340	13 ³ / ₈	875	34 ³ / ₇	130	286.6
200 8	200 RBXv 2501 & 2531	PN25 (363 psi)	405	15 ¹⁵ / ₁₆	700	27 ⁵ / ₉	145	5 ⁷ / ₁₀	30	1 ³ / ₁₆	360	14 ¹ / ₈	875	34 ³ / ₇	130	286.6
200 8	200 RBXv 4001 & 4031	PN40 (580 psi)	405	15 ¹⁵ / ₁₆	700	27 ⁵ / ₉	141	5 ⁹ / ₁₆	34	1 ¹ / ₅	370	14 ⁹ / ₁₆	875	34 ³ / ₇	141	310.8

PURCHASE SPECIFICATION

VENT-O-MAT MODEL NO.

Page 35 - Series RBXv - DN25 (1") or DN50 (2") with BSP (ISO R7) or NPT, Screwed Male Connection.

Page 36 - Series RBXv - DN80 (3") or DN100 (4") Flanged Connection.

Page 37 - Series RBXv - DN150 (6") or DN200 (8") Flanged Connection.

CONSTRUCTION & DESIGN

The air vent valve shall be of the compact single chamber design with solid cylindrical H.D.P.E. control floats housed in a tubular Stainless Steel Body with epoxy powder coated Mild Steel ends or Stainless Steel ends secured by means of Stainless Steel Tie Rods.

The valve shall have an integral 'Anti-Shock' Orifice mechanism which shall operate automatically to limit transient pressure rise or shock induced by closure to 1.5 x valve rated working pressure.

The discharge orifice area shall be equal to the nominal size of the valve i.e., a 150mm (6") valve shall have a 150mm (6") intake orifice.

Large orifice sealing shall be effected by the flat face of the control float seating against a EPDM rubber 'O' ring housed in a dovetail groove circumferentially surrounding the orifice.

Discharge of pressurized air shall be controlled by the seating & unseating of a Small Orifice Nozzle on a EPDM rubber seal affixed into the control float. The Nozzle shall have a flat seating land surrounding the orifice so that the damage to the rubber seal is prevented.

The valve construction shall be proportioned with regard to material strength characteristics, so that deformation, leaking or damage of any kind does not occur by submission to twice the designed working pressure.

The valve design shall incorporate an over pressure safety feature that will fail without an explosive effect, such as is normally the case when highly compressed air is released suddenly. The feature shall consist of easily replaceable components such as gaskets, seals or the like.

Connection to the valve inlet shall be facilitated by a screwed BSP (ISO R7) or NPT Male end (DN25 (1") & DN50 (2") only) or a flanged end conforming to PN10, 16, 25 or 40 ratings of BS 4504 or SABS 1123 Standards or, ANSI B16.5 Class 150 & Class 300 Standards.

Flanged ends for DN80 and DN100 valves shall be supplied with the requisite number of Stainless Steel screwed studs inserted for alignment to the specified standard. **Nuts, washers, or jointing gaskets shall be excluded.**

Optional: Provision of a ¼" BSP/NPT Test/ Bleed Cock.

OPERATION

1. Prior to the ingress of liquid into the valve chamber, as when the pipeline is being filled, valves shall vent through the large orifice when water approach velocities are relative to a transient pressure rise on valve closure of 1.5 x valve rated pressure

At higher water approach velocities, which have a potential to induce transient pressure rises >1.5 times valve rated pressure on closure, the valve shall automatically discharge through the "Anti-Shock" Orifice and reduce water approach velocity, so that on closure a maximum transient pressure rise of <1.5 x valve rated pressure is realised.

2. Valves shall not exhibit leaks or weeping of liquid past the large orifice seal at operating pressures of 0.5 bar (7.25 psi) to 1.5 times rated working pressure.

3. Valves shall respond to the presence of air by discharging it through the small orifice at any pressures within a specified design range, i.e. 0.5 bar (7.25 psi) to 16 bar (232 psi), 25 bar (363 psi) or 40 bar (580 psi), and shall remain leak tight in the absence of air.

ORDERING GUIDE

VALVE SIZE:	050	RB	X	v	25	0	1	VALVE TYPE:
DN25 (1") - 025								DOUBLE ACTING 1
DN50 (2") - 050								
DN80 (3") - 080								
DN100 (4") - 100								
DN150 (6") - 150								
DN200 (8") - 200								
VALVE SERIES No.								VALVE END CONNECTION:
ANTI SHOCK ORIFICE:								SCREWED - BSP 1
SPECIAL APPLICATION:								SCREWED - NPT 2
BIAS AIR IN b								FLANGED - BS4504 OR SABS 1123 0
BIAS AIR OUT v								FLANGED - ANSI B16.5 3
								VALVE PRESSURE RATING:
								PN16 (232 psi) 16
								PN25 (363 psi) 25
								PN40 (580 psi) 40

Note:

1. DN250 (10") and DN300 (12") valves are available on request.
2. Valves for pressure ratings of PN64 (928 psi) and PN100 (1450 psi) are available on request.
3. Valves are available with AISI 304 Stainless Steel Flanged ends, please specify when ordering.

TEST SPECIFICATION

All air release valves supplied shall be subjected to the following testing procedures in the order laid down:

- (A) A high pressure strength and leak test whereby the valve is filled with water and pressurized to 1.5 times the rated working pressure which shall be held for a period of 2 minutes. Any leaking, weeping or sweating shall be reason for rejection.
- (B) A low head leak test whereby the valve is filled with water and pressurized to a maximum of 0.5 bar (7.25 psi) using a visible water column connected to the test rig. The valve shall be rejected if leak tightness is not maintained for 2 minutes
- (C) Every tenth air release valve of the same size and pressure rating must be subjected to a small orifice function test - "DROP TEST" - whereby the valve is filled with water, pressurized to above rated working pressure and isolated from the test rig by closure of an isolating valve. A chamber in the test rig immediately prior to the isolating valve must be filled with compressed air at a pressure equal to that being maintained in the air release valve. The isolating valve is then opened so as to allow the air to rise in the air release valve without the pressure dropping lower than 2 - 3 bar (29 - 44 psi) above rated working pressure of the air release valve. The "DROP TEST" is then carried out by slowly bleeding off the pressure through a suitable cock until rated working pressure is reached and the float drops away from the orifice to allow discharge. Failure of the air release valve to function in the manner described will be reason for rejection.

On request the manufacturer shall provide batch certificates of test compliance which shall be cross referenced to serial numbers indelibly marked onto the identity label of each valve.

IMPORTANT NOTE: It is impossible to inject air into an incompressible liquid, air injection can only be achieved if the liquid can be displaced which implies that the pressure in the test rig must be reduced to atmospheric, and absolutely nothing is proven by discharge through the small orifice of the air release valve at atmospheric pressure. "DROP TESTING" in this manner is not acceptable.

Complete the form below for any additional information and fax/post to:

VENT-O-MAT
P. O. Box 5064
Benoni South
1502
South Africa

Tel: (+27 11) 748 0200

Fax: (+27 11) 421 2749

E Mail: ventomat@dfc.co.za

www.ventomat.com

Company Name:

Postal Address:

Postal Code: **Country:**

Tel: **Fax:**

Contact Name: **Title:**

Comments:

.....
.....

Products you are interested in:

VENT-O-MAT[®] Series RBXc Air Release & Vacuum Break Valves

compact cast single chamber design with integral "Anti-Shock" surge dampening mechanism in an economical cast ductile iron construction.

VENT-O-MAT[®] Series RGX Air Release & Vacuum Break Valves

compact Stainless Steel single chamber design with integral "Anti-Shock" surge dampening mechanism.

VENT-O-MAT[®] Series RC Air Release & Vacuum Break Valves

cast air valve for irrigation and small reticulation systems.

VENT-O-MAT[®] Series RPS Air Release & Vacuum Break Valves

glass reinforced polypropylene CATT air valve for industrial, irrigation and small reticulation systems.

LevelDex[®] High Performance Endline Level Control Valves

end line valve with cushioned closing characteristics for level control in tanks and reservoirs.