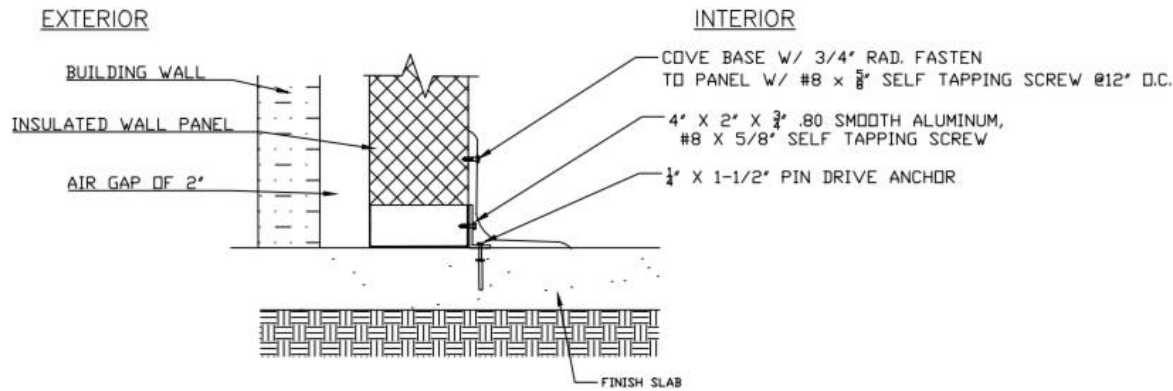
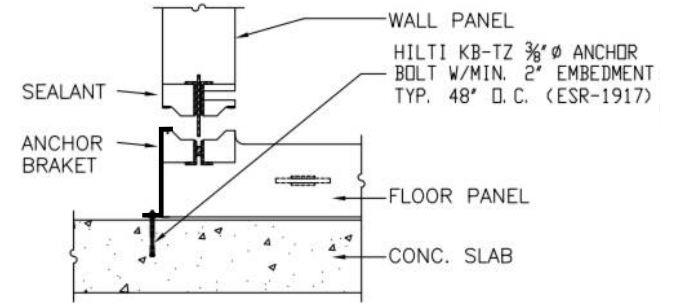


DETAIL #1



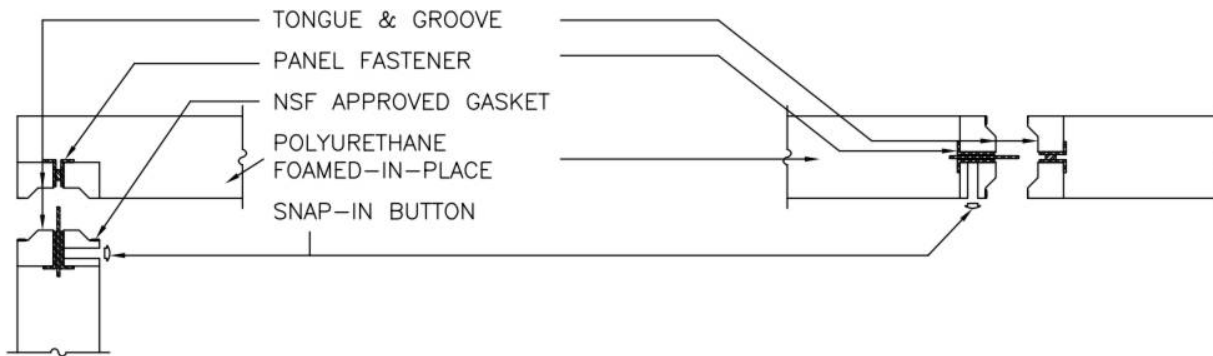
WALL TO FLOOR CONNECTION

DETAIL #2



FLOOR ANCHOR DETAIL

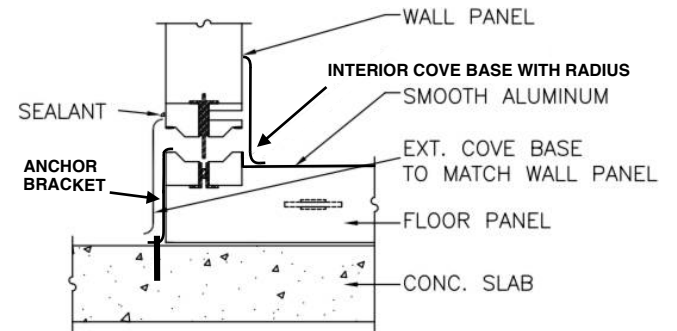
DETAIL #3



WALL PANEL TO CEILING CONNECTION

CEILING TO CEILING CONNECTION

DETAIL #4



FREEZER WALL PANEL TO FLOOR CONNECTION

**COLDRITE
WALK-INS**

5508 Cortland St
Lynwood CA 90262
Office: (310) 604-1111
Fax: (310) 604-1113
coldritemfg@gmail.com
coldritewalkins@gmail.com
www.coldritewalkins.com

WALK IN COOLER CONNECTION DETAILS

Approved by:

NSF

DETAILS SHEET

DRAWING #

1 OF 2

DATE: