

## SIDE-OUT CANOPY REPLACEMENT

These instructions are for canopy replacement only for

- SOKII W/ DEFLECTOR OR FULL CASE;
- SUMMIT; SOKIII AND,
- A & E SLIDE TOPPER

### WARNING

**THESE PROCEDURES DEAL DIRECTLY WITH THE PRE-WOUND SPRING TENSION IN THE ROLL BAR. FAILURE TO EXERCISE CARE AND/OR FAILURE TO FOLLOW THE INSTRUCTIONS CAN RESULT IN PERSONAL INJURY AND/OR PROPERTY DAMAGE.**

### SOKII CANOPY REPLACEMENT

#### **REMOVING THE OLD FABRIC**

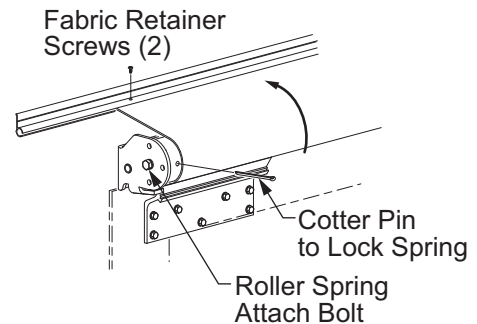
1. Open the slide out room 10"-12".
2. Remove the screws and end caps from the pivot brackets and set aside.
3. Remove the screws and deflector or full case and set aside.
4. Remove the fabric retaining screws from the awning rail. Do not discard.
5. On the left side of the rollbar align the holes in the rollbar with the holes in the pivot bracket inside the rollbar. It may be necessary to rotate the rollbar to align the holes.
6. Insert the furnished 2 inch cotter pin through the holes. Insert the pin as far as possible.
7. (See Figure 1) Grasp the roll bar and loosen the spring attach bolt on the outside of the LH pivot bracket. Loosen only 2-3 turns, DO NOT REMOVE. The rollbar can now spin freely.

**NOTE: When rotating the roll bar the bolt may have a tendency to tighten. Loosen as needed.**

8. Unroll the fabric off of the roll bar by rotating the roll bar toward the coach.
9. (See Figure 2) Holding or supporting the RIGHT end of the roll bar; remove the attaching screws and remove the RIGHT pivot bracket from the mounting bracket and roll bar and set aside.
10. Simultaneously slide the fabric to the right from the awning rail and rollbar.

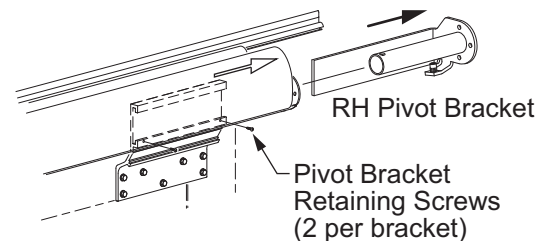
#### **INSTALLING THE NEW FABRIC**

11. Check that the awning rail and roll bar grooves are clean. If necessary spread open the end of the awning rail slightly; deburr the awning rail. Lightly spray the inside of the awning rail and roll bar grooves with a silicone lubricant.
12. Carefully insert the new fabric into the awning rail approximately 6 to 8 inches. The edge with the larger polyrod goes into the awning rail.
13. Carefully insert the new fabric into the roll bar groove. The edge with the smaller polyrod goes into the roll bar.
14. Simultaneously slide the new fabric into the awning rail and roll bar until the fabric is centered in the roll bar.
15. Insert the right pivot bracket into the roll bar and mounting bracket. Secure with the screws removed previously.
16. Slowly roll up the fabric onto the roll bar. Ensure that the fabric is rolling straight. Adjust the fabric position as required.
17. After the fabric has been rolled up, tighten the spring attach bolt on the outside of the LH pivot bracket.
18. While firmly holding the rollbar remove the cotter pin. Slowly allow the spring to take up any slack in the material and apply tension.
19. Replace the fabric retaining screws in the awning rail.
20. Install the deflector or full case.
21. Install the end caps.



SOK2022

**Figure 1.**



SOK2022a

**Figure 2.**

## SUMMIT AND SOK III CANOPY REPLACEMENT

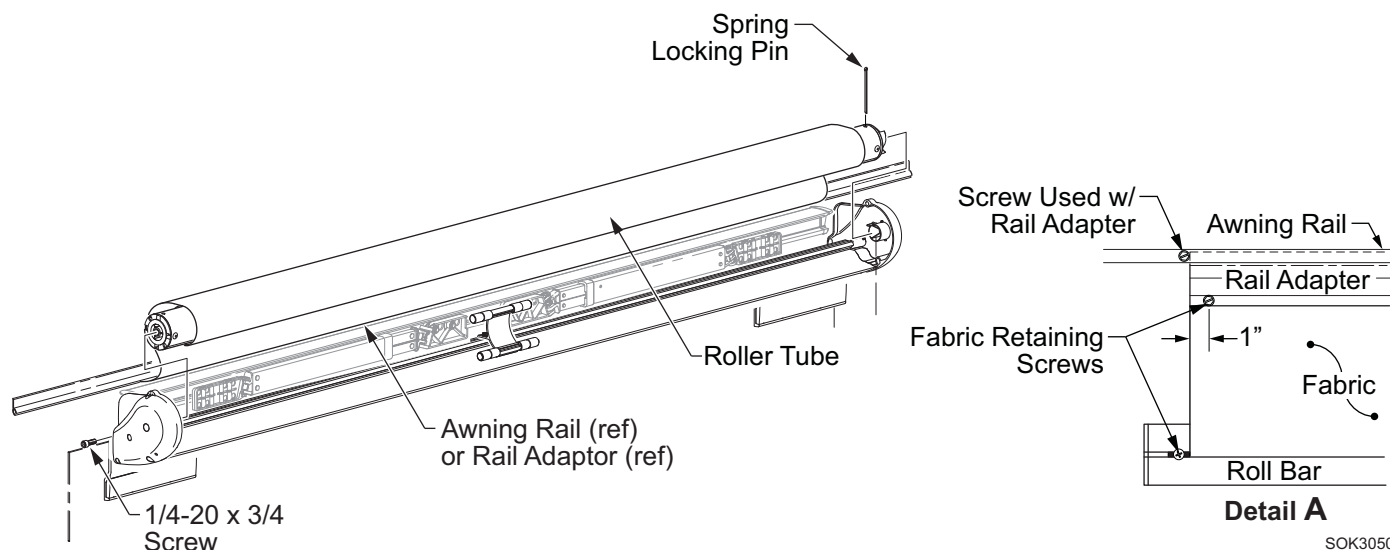


Figure 3.

**REMOVING THE OLD FABRIC**

1. Remove the fabric retaining screws from the awning rail or rail adapter. Do not discard.
2. Remove the front cover if installed. For detailed removal and install instructions, refer to 052520-301, SOKIII and Summit Service Manual available at [www.carefreeofcolorado.com](http://www.carefreeofcolorado.com)
3. *For XL Models:* Remove the cotter pin and center cover mount. Set parts aside.
4. Insert a 3 inch cotter pin through the roll bar and spring on the right end of the roll bar. It may be necessary to twist the roll bar to align the holes. Bend the ends over to ensure the pin does not accidentally come out.
5. Remove the 1/4-20 x 3/4 socket head cap screw from the left end cap. Lift the left end of the roll bar and pull the roll bar out of the right end cap.
6. Hold the rollbar and slide the fabric out of the awning rail or rail adaptor.

**CAUTION** WHEN UNROLLING AND ROLLING FABRIC ON THE ROLL BAR, DO NOT LET THE SPRING LOCK COTTER PIN COME OUT.

7. On a suitable work surface, unroll the fabric from the roll bar
8. Remove the fabric retaining screws in the roll bar then slide the fabric out of the groove. Make note of which end is left and right and the orientation of the fabric when it was rolled.

**INSTALLING THE NEW FABRIC**

1. Unfold the new fabric and slide the edge of the fabric (edge with black polycord) into the rollbar. The fabric can only be inserted from the left side of the rollbar.

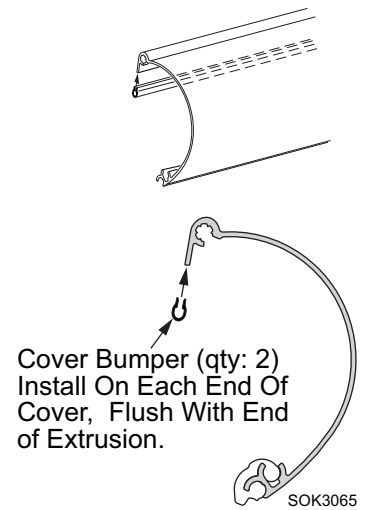
**NOTE:** The black polycord should only extend past the fabric approximate 1/2" to 1". Trim any excess polyrod off before sliding the fabric into the rollbar.

2. Center the fabric on the rollbar then reinstall the fabric retaining screws. The screws should go through the polycord and into the roll bar. Do not put the screws through the fabric. (Refer to Detail A).
3. Roll the fabric onto the rollbar. Make sure that the fabric rolls up straight.
4. Slide the white polyrod and fabric into the awning rail. Center the fabric and rollbar over the room.
5. Roll up any slack material onto the roll bar.
6. Slide the right end of the roll bar into the right end cap then set the left end of the roll bar into the left end cap. Attach with one (1) 1/4-20 x 3/4 socket head screw (removed earlier) through the left end cap.

**NOTE:** The roll bar cogs engage a protrusion in the right end cap.

7. *For XL Models:* Insert the center cover mount into the deflector splice and around the rolled fabric. Secure with a new cotter pin (included with replacement fabric).
8. Firmly grasp the rollbar and fabric then remove the spring lock cotter pin inserted on the spring end of the rollbar. Allow the spring to tension the fabric slowly while releasing the rollbar.
9. Open and close the room to verify the fabric is rolling up straight. Adjust as required.

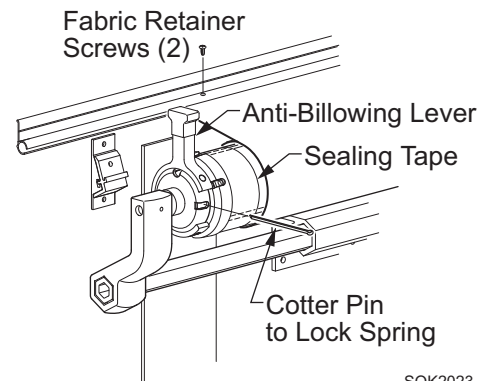
10. Reinstall the fabric retaining screws in the awning rail or adapter. The screws should go through the rail, fabric and polycord approximately 1" in from the edge of the fabric. (Refer to Detail A).
11. Canopy replacements include two (2) bumper guards that fits on the upper edge of the cover. Install a bumper guard on each end of the cover. The end of the bumper guards should be flush with the ends of the cover. Secure the bumper guards on each end using a small amount of quality silicone sealant.  
**NOTE: For XL models, one guard should go on the LH end of the LH cover half and one goes on the RH end of the RH cover half.**
12. Install the front cover.

**Figure 4.**

## A &amp; E TOPPER CANOPY REPLACEMENT

**REMOVING THE OLD FABRIC**

1. Fully extend the room out.
2. Firmly grasp the roll bar and twist toward the coach until all the fabric is off the roll bar.
3. Align the holes in the roll bar end cap and the pivot bar inside the roll bar. Insert a 3" cotter pin. Repeat for other side.
4. Remove the fabric retaining screws from the awning rail. If the A & E aluminum wrap is installed, spread open the slat holding the fabric.
5. It will be necessary to trim or remove the sealing tape around the rollbar where it covers the fabric slot.
6. The anti-billow lever is mounted on one side, if it is not possible to move the fabric out the opposite side, it will be necessary to remove the lever from the roll bar end.
7. Simultaneously slide the fabric out of the roll bar and awning rail (or aluminum wrap).



SOK2023

**Figure 5.****INSTALLING THE NEW FABRIC**

8. Check that the awning rail and roll bar grooves are clean. If necessary spread open the end of the awning rail slightly and deburr the awning rail. Lightly spray the inside of the awning rail and roll bar grooves with a silicone lubricant.
9. Carefully insert the new fabric into the awning rail approximately 6 to 8 inches. The edge with the larger polyrod goes into the awning rail.
10. Carefully insert the new fabric into the roll bar groove. The edge with the smaller polyrod goes into the roll bar.
11. Simultaneously slide the new fabric into the awning rail and roll bar until the fabric is centered in the roll bar.
12. While firmly holding the rollbar remove the cotter pin. Slowly allow the spring to take up any slack in the material and apply tension.
13. Ensure that the fabric rolls up straight. Adjust the fabric as required.
14. Replace the fabric retaining screws in the awning rail. If the aluminum wrap is installed, crimp the aluminum as required.
15. If previously removed, reinstall the anti-billow lever.