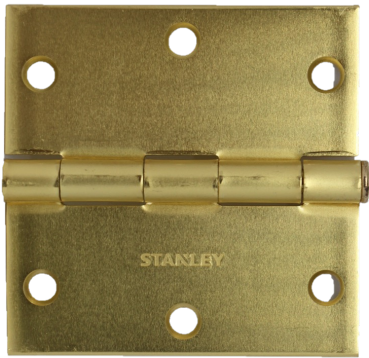


STANLEY®



DOOR HARDWARE

THE MEASURE OF A PRO™

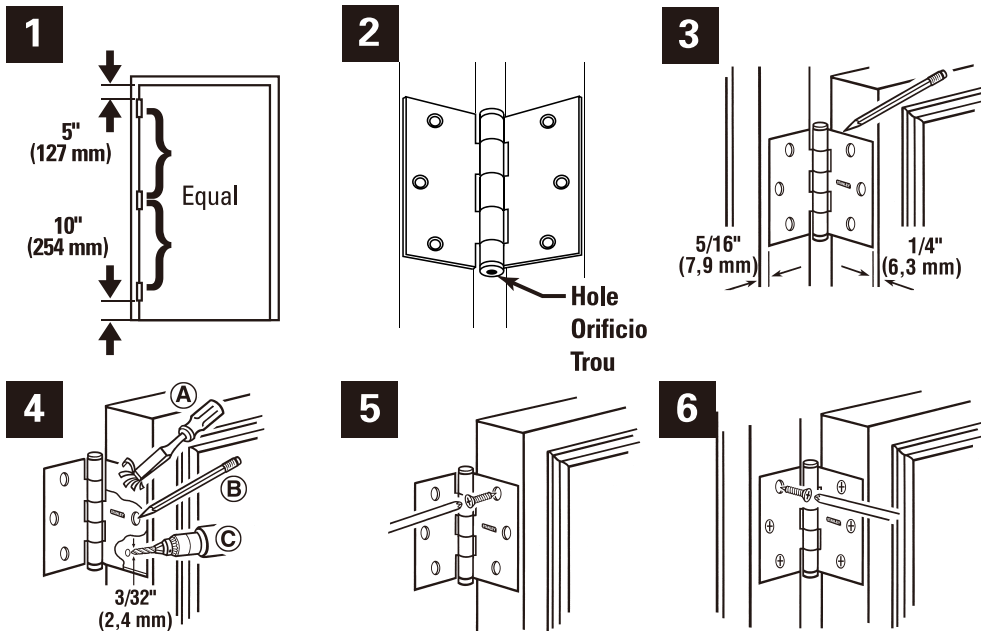


- For residential doors up to 1-3/4" thick
- Non-rising removable hinge pin aids in installing or removal
- Square corners
- Steel/White/Brass durable baked on enamel finish.



INDOOR USE

SKU	DESCRIPTION	MEASUREMENT	THICKNESS	FINISH
08-1100CD	LOOSE PIN HINGE 741 SQUARE CORNER RESIDENTIAL	3"x 3"	2mm	US4
08-2100CD	LOOSE PIN HINGE 741 SQUARE CORNER RESIDENTIAL	3.5" x 3.5"	2.2mm	US4
08-3100CD	LOOSE PIN HINGE 741 SQUARE CORNER RESIDENTIAL	4" x 4"	2.2mm	US4



- For residential doors up to 1-3/4" thick
- Non-rising removable hinge pin aids in installing or removal
- Square corners
- Steel/White/Brass durable baked on enamel finish.

Square Corners



Product Description

- Stainless steel for maximum corrosion resistance
- Nib on hinge for finished appearance
- Square corners
- Non-rising pin
- Heavy-gauge material for added strength
- Five knuckle, full mortise design
- Screw holes are countersunk

1/4 In. Radius Round Corners



Product Description

- Stainless steel for maximum corrosion resistance
- Nib on hinge for finished appearance
- 1/4 inch radius round corners
- Non-rising pin
- Heavy-gauge material for added strength
- Five knuckle, full mortise design
- Screw holes are countersunk

5/8 In. Radius Round Corners



Product Description

- Stainless steel for maximum corrosion resistance
- Nib on hinge for finished appearance
- 5/8 inch radius round corners
- Non-rising pin
- Heavy-gauge material for added strength
- Five knuckle, full mortise design
- Screw holes are countersunk



INDOOR USE

SKU	Description	Size	Material	Finish
SXHW-DH5830-15	Door Hinge 5/8 In. Radius Round Corners	3"x3"x2.0mm	Steel	US15
SXHW-DH5830-19	Door Hinge 5/8 In. Radius Round Corners			US19
SXHW-DH5830-26	Door Hinge 5/8 In. Radius Round Corners			US26
SXHW-DH5830-10	Door Hinge 5/8 In. Radius Round Corners			US10B-4
SXHW-DH1430-15	Door Hinge 1/4 In. Radius Round Corners			US15
SXHW-DH1430-19	Door Hinge 1/4 In. Radius Round Corners			US19
SXHW-DH1430-26	Door Hinge 1/4 In. Radius Round Corners			US26
SXHW-DH1430-10	Door Hinge 1/4 In. Radius Round Corners			US10B-4
SXHW-DHSQ30-15	Door Hinge SQ			US15
SXHW-DHSQ30-15	Door Hinge SQ			US19
SXHW-DHSQ30-26	Door Hinge SQ	US26		
SXHW-DHSQ30-10	Door Hinge SQ	US10B-4		
SXHW-DH5835-15	Door Hinge 5/8 In. Radius Round Corners	3.5"x3.5"x2.0mm	Steel	US15
SXHW-DH5835-19	Door Hinge 5/8 In. Radius Round Corners			US19
SXHW-DH5835-26	Door Hinge 5/8 In. Radius Round Corners			US26
SXHW-DH5835-10	Door Hinge 5/8 In. Radius Round Corners			US10B-4
SXHW-DH1435-15	Door Hinge 1/4 In. Radius Round Corners			US15
SXHW-DH1435-19	Door Hinge 1/4 In. Radius Round Corners			US19
SXHW-DH1435-26	Door Hinge 1/4 In. Radius Round Corners			US26
SXHW-DH1435-10	Door Hinge 1/4 In. Radius Round Corners			US10B-4
SXHW-DHSQ35-15	Door Hinge SQ			US15
SXHW-DHSQ35-15	Door Hinge SQ			US19
SXHW-DHSQ35-26	Door Hinge SQ	US26		
SXHW-DHSQ35-10	Door Hinge SQ	US10B-4		
SXHW-DH5840-15	Door Hinge 5/8 In. Radius Round Corners	4"x 4"x2.0mm	Steel	US15
SXHW-DH5840-19	Door Hinge 5/8 In. Radius Round Corners			US19
SXHW-DH5840-26	Door Hinge 5/8 In. Radius Round Corners			US26
SXHW-DH5840-10	Door Hinge 5/8 In. Radius Round Corners			US10B-4
SXHW-DH1440-15	Door Hinge 1/4 In. Radius Round Corners			US15
SXHW-DH1440-19	Door Hinge 1/4 In. Radius Round Corners			US19
SXHW-DH1440-26	Door Hinge 1/4 In. Radius Round Corners			US26
SXHW-DH1440-10	Door Hinge 1/4 In. Radius Round Corners			US10B-4
SXHW-DHSQ40-15	Door Hinge SQ			US15
SXHW-DHSQ40-15	Door Hinge SQ			US19
SXHW-DHSQ40-26	Door Hinge SQ	US26		
SXHW-DHSQ40-10	Door Hinge SQ	US10B-4		



US19 Flat Black



US15 Satin Nickel



US10B Oil Rubbed Bronze



US26 Bright Chrome



- Heavy-gauge cold-rolled steel for added strength
- Flush pin for finished appearance
- Removable pin for easier installation

Item No.	Description
SXHW-SSLP0030	STAINLESS STEEL HINGES 3X3
SXHW-SSLP0035	STAINLESS STEEL HINGES 3.5X3.5
SXHW-SSLP0040	STAINLESS STEEL HINGES 4X4



- Extremely strong
- Long lasting
- Rust-resistant



INDOOR USE

Item No.	Description
SXHW-SS01-0BB25	STAINLESS STEEL HINGE 4X3X2.5
SXHW-SS01-2BB25	STAINLESS STEEL HINGE 4X3X2.5 2BB
SXHW-SS01-4BB25	STAINLESS STEEL HINGE 4X3X2.5 4BB
SXHW-SS01-0BB25BP	STAINLESS STEEL HINGE 4X3X2.5
SXHW-SS01-2BB25BP	STAINLESS STEEL HINGE 4X3X2.5 2BB
SXHW-SS01-4BB25BP	STAINLESS STEEL HINGE 4X3X2.5 4BB
SXHW-SS01-0BB30	STAINLESS STEEL HINGE 4X3X3
SXHW-SS01-2BB30	STAINLESS STEEL HINGE 4X3X3 2BB
SXHW-SS01-4BB30	STAINLESS STEEL HINGE 4X3X3 4BB
SXHW-SS01-0BB30BP	STAINLESS STEEL HINGE 4X3X3
SXHW-SS01-2BB30BP	STAINLESS STEEL HINGE 4X3X3 2BB
SXHW-SS01-4BB30BP	STAINLESS STEEL HINGE 4X3X3 4BB



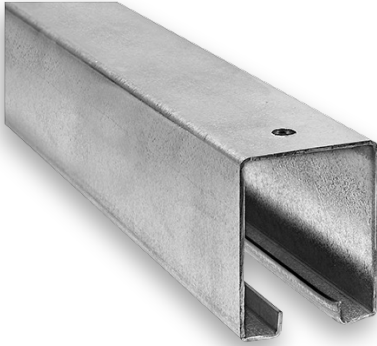
- Commercial grade with thicker gauge and more durable design than standard hinges
- Template screw hole location for use on either wood or hollow metal doors and frames
- Equipped with easily seated, non-rising removable pins



INDOOR USE



Item No.	Description
SXHW-SS04-0BB30	304 STAINLESS STEEL HINGE 4X3X3
SXHW-SS04-2BB30	304 STAINLESS STEEL HINGE 4X3X3 2BB
SXHW-SS04-4BB30	304 STAINLESS STEEL HINGE 4X3X3 4BB
SXHW-SS04-0BB30BP	304 STAINLESS STEEL HINGE 4X3X3
SXHW-SS04-2BB30BP	304 STAINLESS STEEL HINGE 4X3X3 2BB
SXHW-SS04-4BB30BP	304 STAINLESS STEEL HINGE 4X3X3 4BB

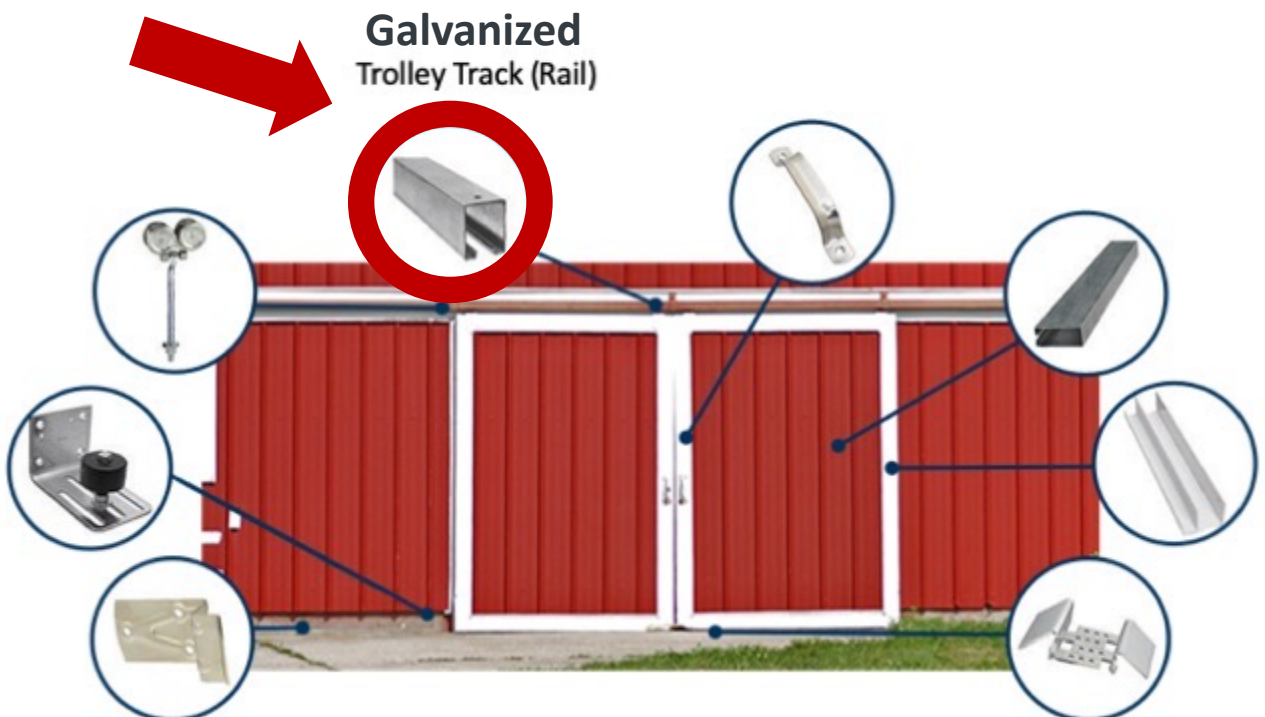


- Designed for use on doors weighing up to 600 lb.
- Can be used with many types of single and multiple brackets
- Rail is carefully formed to give an even tread to hanger wheels
- Made from high-tensile strength galvanized steel



OUTDOOR USE

Item No.	Description
10-5676	TROLLEY TRACK 2641XY6 US2H
10-5726	TROLLEY TRACK 2641XY8 US2H
10-5213	TROLLEY TRACK 2641XY10 US2H
10-5270	TROLLEY TRACK 2641XY12 US2H





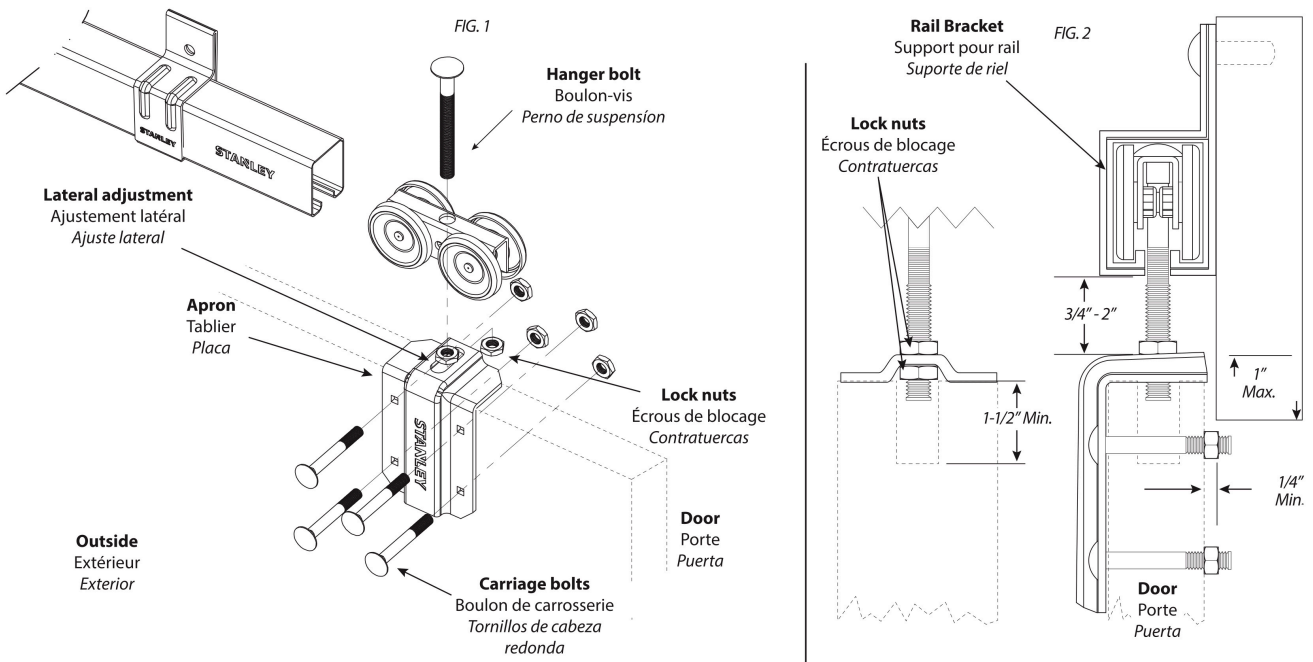
- Durable one piece, precision formed steel for durability.
- Easy installation
- For exterior applications



OUTDOOR USE

Item No.	Description
41-1020	BOX TRACK HANGER & BRACKET SET 450 LB

STANLEY® Installation directions for sliding door hanger



STANLEY®

@ 2021 Stanley Black & Decker, Inc. STANLEY® and the STANLEY® logo are trademarks of Stanley Black & Decker, Inc. or an affiliate thereof and are used under license

CJP MARKETING PTE LTD
2 GAMBAS CRESENT
#09-14 NORDCOM II
SINGAPORE 757044

Website : www.cjpppl.com
Email : sales@cjpppl.com

