

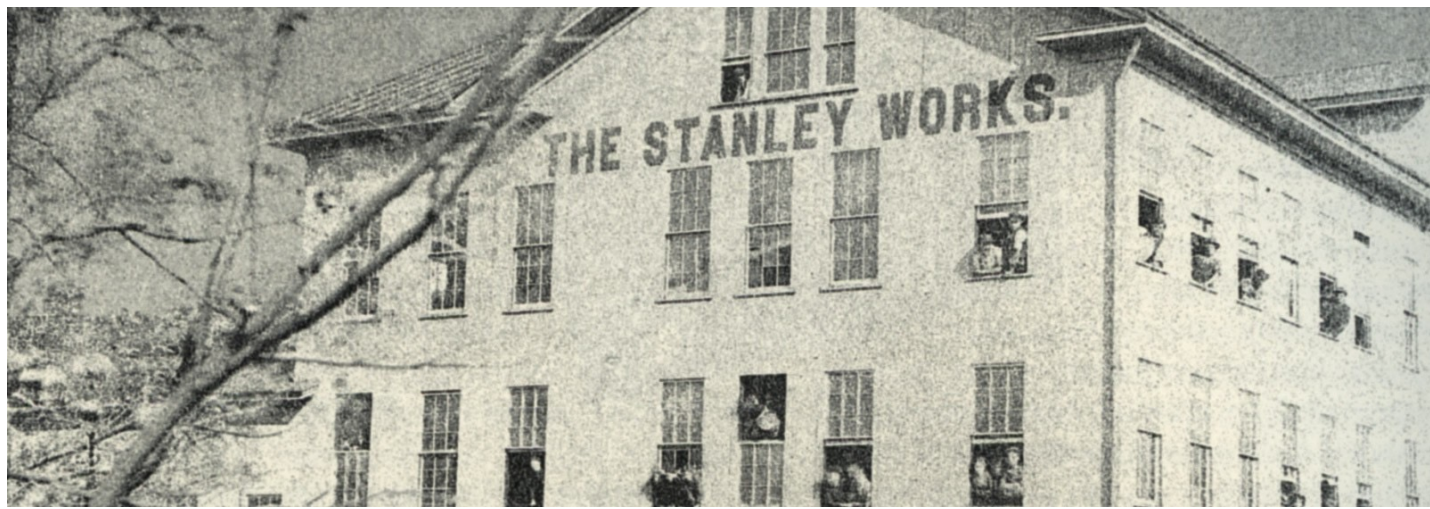
**STANLEY®**



**SMART LOCK**

---

**THE MEASURE OF A PRO™**



## HISTORY & MILESTONES



Since 1843 STANLEY® tools have been on the belt and in the hands of professional contractors and accomplished homeowners. Synonymous with quality, reliability, innovation, and value, STANLEY is the first name in tape measures and trusted worldwide for accuracy and dependability.

We're proud of our reputation for excellence and dedicated to continually testing, designing and improving our products to ensure quality and maximum function. Maintaining our standing as the world's best at what we do is vital to us and what you expect from a name like STANLEY.

For more than 175 years our innovative products have helped build, repair and protect our world. Today that legacy continues. Explore our history by using the interactive timeline below.

**SHAPING  
OUR  
SUCCESS  
SINCE 1843**



Model No : SXDL-PP001AB  
SXDL-PP001AG



TTLock APP



Colour:



Rose gold



Grey

CE FC RoHS

## PRODUCT FEATURES

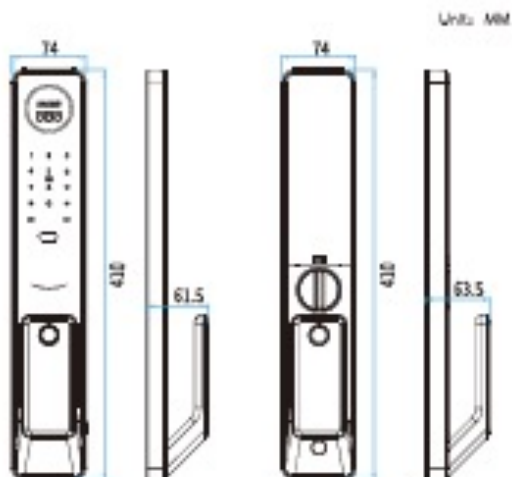
- 6 ways to unlock: 3D Face, APP, Fingerprint Unlock, Pass Code, Card, Mechanical Key Unlock;
- Convenient APP management system, you can manage your smart lock anytime and anywhere;
- You can manage a large number of locks with just one phone;
- Simple Door Handle settings, suitable for various scenarios;
- Multi-level administrator settings to help you better manage your smart buildings;
- Query unlock records anytime and anywhere, the first time to know your home security;
- The compact size fits all wooden doors and metal doors;
- FPC fingerprint reader gives you the best security experience ;
- Emergency powersupply in case of lost power;
- We can customize production according to your requirements,OEM/ODM;

## TECHNICAL PARAMETER

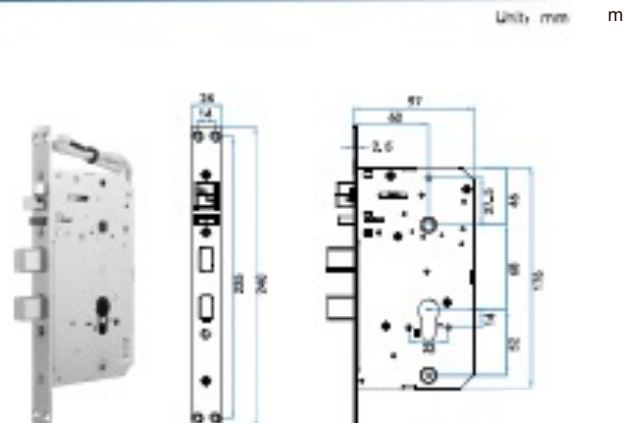
Bluetooth standard	Bluetooth 4.1ble or above	
Supportphonesystem	Android 4.3/IOS7.0 or above	
Power supply	7.4V lithium battery	
Emergencypowersupply	5V (micro USB)	
Low voltage alarm	7.2V	
Power voltage	4.5-9V	
Static current	< 153 $\mu$ A	
Working current	< 2 A ( average)	
Unlocking time	$\approx$ 1.5 seconds	
Remote control	distance is 5-15m , capacity : 15pcs	
Motor	8V standard mortise	
Keypad	16 keys. ( 0-9 , *,# , doorbell, locked)	
Key type	Touch screen key	
Password Capacity	Customized password+ permanent password	250pcs
	Dynamic password	no limited
Operating Frequency	Mifare card(13.56MHz)	

Cards Capacity	1000pcs
Unlocking way	APP , Password, fingerprint, IC card, mechanical key , ekey, face
Fingerprint module	semi-conductor fingerprint module
Fingerprint capacity	120pcs
False recognition rate	$\leq$ 0.001%
Rejection rate	$\leq$ 0.1%
Working temperature	-10 $^{\circ}$ C ~60 $^{\circ}$ C
Relative humidity	45~90%RH
Storage temperature	-30~70 $^{\circ}$ C
Storage humidity	45~90%RH
Face recognition	recognition time:0.5s ( hot ) , 1.4s ( cold ) recognition distance : 0.4m~1m , ~0.5m the best
	bio-assay : TAR : 98% FAR : 0.00001 Face recognition : TAR : 98% FAR : 0.00001
Face users	50

## PANEL MEASUREMENT



## MORTISE MEASUREMENT



# STANLEY

## 7 IN 1 SMART LOCK WITH VIDEO

Model No : **SXDL-PP002AB**  
**SXDL-PP002AG**



Colour:



Rose gold



Grey

CE FC RoHS

## PRODUCT FEATURES

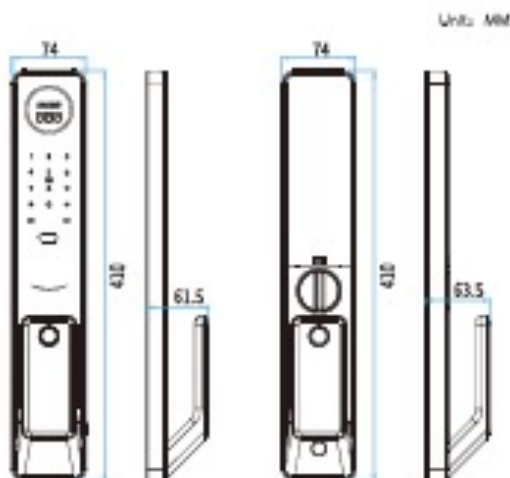
- 6 ways to unlock: 3D Face, APP, Fingerprint Unlock, Pass Code, Card, Mechanical Key Unlock;
- Visual intercom with Peep hole: you can see who is in front of your door remotely by phone or at home by screen on lock.
- No worry when no power or fire can not unlock the door inside, indoor has one mechanical handle to unlock door directly.
- Convenient APP management system, you can manage your smart lock anytime and anywhere;
- You can manage a large number of locks with just one phone;
- Multi-level administrator settings to help you better manage your smart buildings;
- Query unlock records anytime and anywhere, the first time to know your home security;
- The compact size fits all wooden doors and metal doors;
- FPC fingerprint reader gives you the best security experience ;
- We can customize production according to your requirements, OEM/ODM;

## TECHNICAL PARAMETER

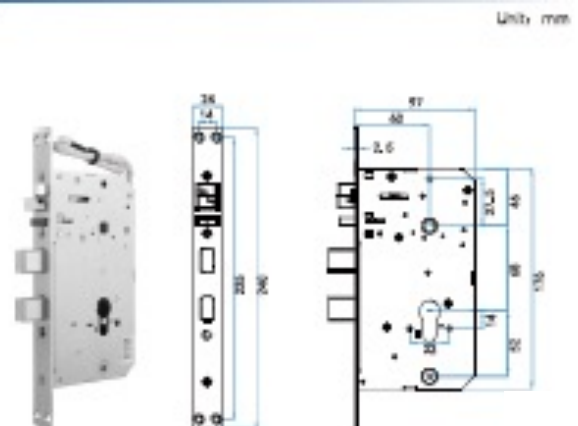
Power supply mode	7.4V Lithium battery
Support phones system	ANDROID 4.3 or IOS 7.0 or higher
Standby current	<70 microampere
Emergency power supply	5V (micro USB)
Low voltage alarm	7.2V
Power voltage	4.5-9V
Password quantity	<100 groups (No. 1 administrator, No. 2-100 user)
Working current	< 2 A ( average)
Unlocking time	≈ 1.5 seconds
Networking mode	WIFI
Applicable gate type	Wooden door/security door
Keyboard	Standard 14 keys (0-9, *# Doorbell lockout)
Applicable door thickness	45-120MM

Operating Frequency	Mifare card(13.56MHz)
Unlocking way	APP, password, fingerprint, I card, mechanical key, face recognition
Fingerprint head type	Semiconductor fingerprint head
Fingerprint capacity	≤99 groups (2-100 numbered users)
Recognition rate (FAR)	< 0.001%
True rejection rate (FRR)	< 1.0%
Operating temperature	-10 °C ~60 °C
Working humidity	45~90%RH
Storage temperature	-30~70°C
Storage humidity	45~90%RH
Number of IC cards	≤100 groups (2-100 numbered users)
Data storage type	Cloud storage
Alarm function	Anti-demolition alarm/low power alarm/system lock alarm

## PANEL MEASUREMENT



## MORTISE MEASUREMENT



Model No : SXDL-LL001AB  
SXDL-LL001AG



Colour:



Rose gold



Grey

CE FC RoHS

## PRODUCT FEATURES

- Access by TTLOCK(WIFI)APP Access, M1 Card, Fingerprint, Pass code, Mechanical Key Unlock
- TTlock WIFI/ABLE App version are available to choose. Convenient APP management system, you can manage your smart lock anytime and anywhere;
- Compatible with various mortise to fit 99% doors.
- single latch 60/70, European 5050/ 6050 / 3585/ 4585/ 6085/ 6072 / 5572
- Unique stylish thin panel, it can be fit most of the wooden, sliding doors.
- One-Touch-Access Biometric Fingerprint sensor on the reader.
- Strong and secure Aluminum alloy lock panel, Anti-corrosion and sturdy.
- Multi-level administrator settings to help you better manage your smart buildings;
- Reversible free style handle.
- Emergency powersupply in case of lost power;
- We can customize production according to your requirements,OEM/ODM;

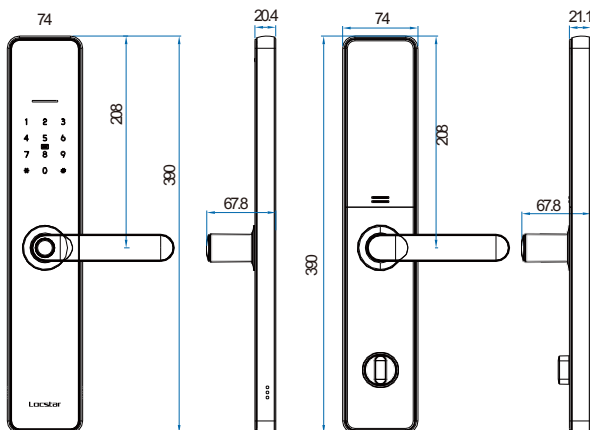
## TECHNICAL PARAMETER

<b>Support phone system</b>	Android 4.3/IOS7.0 or above	
<b>Power supply</b>	4* AA alkaline battery	
<b>Low-voltage alarm</b>	4.8V	
<b>Static current</b>	65 $\mu$ A	
<b>Working current</b>	<200 $\mu$ A	
<b>Unlocking time</b>	≈1.5 seconds	
<b>Working temperature</b>	-20 $^{\circ}$ C~70 $^{\circ}$ C	
<b>Key type</b>	Touch screen key	
<b>Password Capacity</b>	Customized password+ permanent password	150pcs
	Dynamic password	No limited

<b>Bluetooth standard</b>	Bluetooth 4.1 or above	
<b>Operating Frequency</b>	Mifare card(13.56MHz)	
<b>Cards Capacity</b>	200pcs	
<b>Unlocking way</b>	APP, Password, fingerprint, IC card, mechanical key	
<b>Motor output voltage</b>	-0.3V	
<b>Fingerprint module</b>	Semi-conductor fingerprint module	
<b>Fingerprint capacity</b>	120pcs	
<b>False recognition rate</b>	< 0.001%	
<b>Rejection rate</b>	< 1.0%	

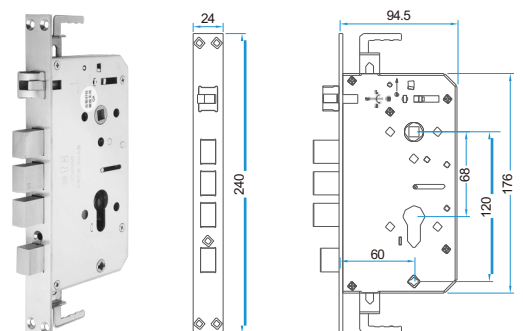
## PANEL MEASUREMENT

Unit : MM



## MORTISE MEASUREMENT

Unit : mm





Model No : SXDL-DD001



TLock APP

Colour:



● Black

## PRODUCT FEATURES

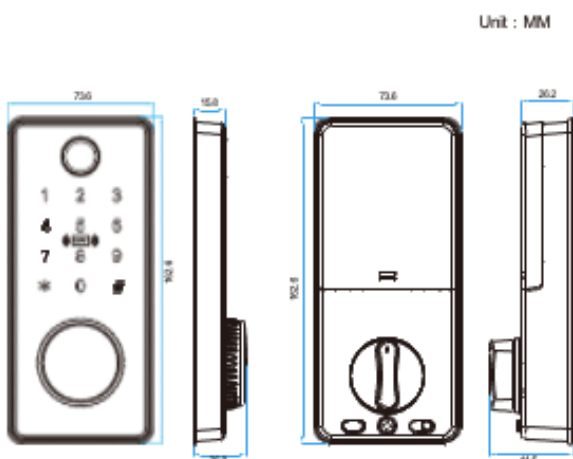
- 6 ways to unlock: TLOCK BLE APP, Fingerprint, Pass Code, Card, Mechanical Key Unlock;
- Convenient APP management system, you can manage your smart lock anytime and anywhere;
- You can manage a large number of locks with just one phone;
- Multi-level administrator settings to help you better manage your smart buildings;
- Query unlock records anytime and anywhere, the first time to know your home security;
- The compact size fits all wooden doors and metal doors;
- FPC fingerprint reader gives you the best security experience ;
- Emergency powersupply in case of lost power;
- We can customize production according to your requirements, OEM/ODM;

## TECHNICAL PARAMETER

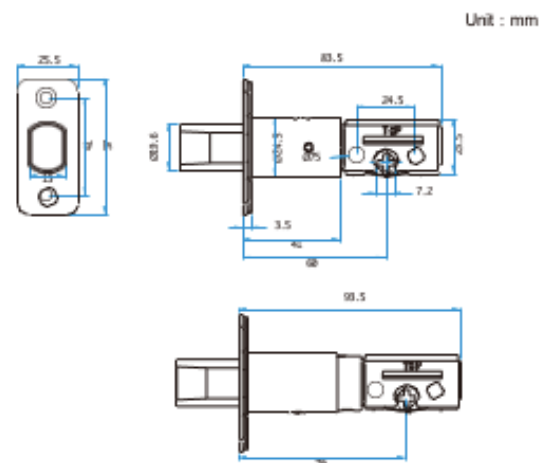
<b>Bluetooth standard</b>	Bluetooth 4.1ble or above
<b>Supported mobile phone</b>	Android 4.3 / IOS 7.0 or above
<b>Power supply mode</b>	4 alkaline dry batteries
<b>Low voltage alarm</b>	4.8V
<b>Voltage range</b>	4.5~6V
<b>Standby current</b>	65 microamps
<b>Working current</b>	Less than 200 Ma
<b>Unlocking time</b>	≈1.5 seconds
<b>Operating temperature</b>	-20~70°C
<b>Door Thickness</b>	30mm~75mm

<b>Operating Frequency</b>	Mifare card(13.56MHz)
<b>IC cards Capacity</b>	Mifare M card 200
<b>Unlocking Ways</b>	App, password, fingerprint, IC card, mechanical key
<b>Fingerprint head type</b>	Semiconductor fingerprint head
<b>Fingerprint capacity</b>	120 pieces
<b>FAR</b>	<0.001%
<b>FRR</b>	<1.0%
<b>Passwords Capacity</b>	Custom and permanent password 150. Other dynamic passwords 150

## PANEL MEASUREMENT



## MORTISE MEASUREMENT



Model No : SXDL-LL002AB  
SXDL-LL002AG



TTLock APP

Colour:



● Black

● Gold

CE FC RoHS

## PRODUCT FEATURES

- **[Keyless Smart Locks]**- 5 unlocking ways: TLock app+keyboard+fingerprint + smart card+Physical key
- **[Security and Convenient]**- Anytime, Anywhere Security and Control With WiFi Gateway (optional add-on, sold separately,remotely lock and unlock your door, set up code or simply check status from anywhere, via mobile app.
- **[3D fingerprint sensor]** Hold the handle and press the fingerprint to unlock it. 100 fingerprints can identify you in less than 1 to 1.5 seconds, and is ideal for children and the elderly.
- **[Battery-powered, external power supply and spare key]** Smart key lock (not included) powered by 4 AA batteries



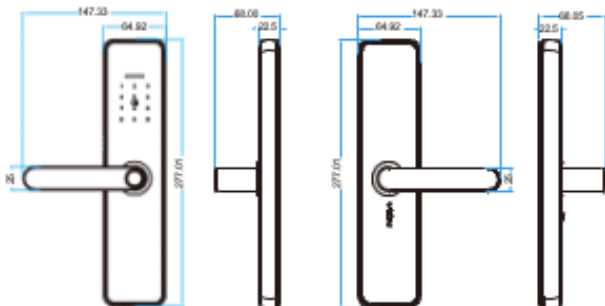
## TECHNICAL PARAMETER

<b>Bluetooth standard</b>	Bluetooth 4.1ble or above
<b>Material Made</b>	Aluminum Alloy
<b>Unlock Ways</b>	APP/ fingerprint/ password/IC card/key/Bluetooth
<b>Power Supply</b>	4.5~6.5v (4AAA batteries)
<b>Fingerprint Capacity</b>	≤300pcs (include Password/Fingerprint/cards)
<b>Low voltage alarm</b>	5V
<b>Working current</b>	250mA
<b>Standby current</b>	75uA

<b>Operating Frequency</b>	Mifare card(13.56MHz)
<b>Fingerprint Type</b>	FPC 160X160
<b>Mortise</b>	5050/3585/4585
<b>Working Temperature</b>	-20°C~70°C
<b>Working Humidity</b>	10%~95%
<b>Size</b>	277*65*22.5mm
<b>Door Thickness</b>	38mm~55mm
<b>Color</b>	Black / silver / Gold

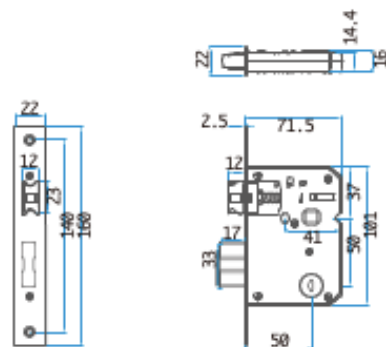
## PANEL MEASUREMENT

Unit : MM



## MORTISE MEASUREMENT

Unit : mm



Model No : SXDL-LL003AB



TTLock APP



TTHotel APP

Colour:



● Black

## PRODUCT FEATURES

- **【5-in-1 keyless Unlock ways】**:3D Biometric Fingerprint+RFID Card+Anti-peep Keypad Code+TUYA APP+Key+ Auto-Relock+Passage Mode+ Low Battery Remind- er+Voice Guide; The lock can also be remotely operated no matter where are you ,bring you an easy intelligent home life.
- **【STRONG STRUCTURE】**The whole lock body is made of Stainless steel 304,It has the advantages of anti-rust, anti-Collision ,anti-drilling, anti-prying ,long service life, sturdy and reliable
- **【HIGH SECURITY】**Anti-Fake-finger,anti-Technical-Unlocking , anti-break-in alarm,preventing high-frequency pulse unlocking,Sturdy and reliable mechanical make sure maximum security and convenience for you.
- **【STRONG APP FEATURES】**The APP enables you to unlock door via your phone, add or delete users,get Log Record that who' s entered and exactly when they did from your phone APP at anywhere, anytime,grant access for specific dates or periods, make you enjoy the latest biometric Cloud technology.
- **【Package Content】** :A:C81\*1. B: Backup door key\*2;C: Card\*2; D: Installation and Operation manual\*1

## TECHNICAL PARAMETER

<b>Bluetooth standard</b>	Bluetooth 4.1ble or above
<b>Material Made</b>	Aluminium Alloy
<b>Unlock Ways</b>	TTLOCK App,Fingerprint, Password, Card, Mechanical Key
<b>Power Supply</b>	4AA Batteries(6V)
<b>Card Capacity</b>	200pcs
<b>Finger Capacity</b>	150pcs
<b>Password Capacity</b>	300pcs
<b>Fingerprint Reader</b>	FPC Fingerprint Reader

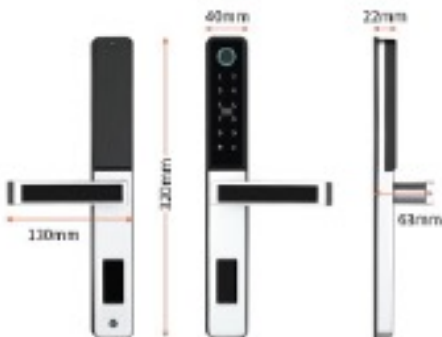
<b>Operating Frequency</b>	MF1 Card (13.56MHz)
<b>Identification Time</b>	<0.3S
<b>Low Voltage Warning</b>	Below 4.8V
<b>Working Temperature</b>	-20°C~70°C
<b>Working Humidity</b>	10%~95%
<b>Application Places</b>	Residential, Apartment, Home, Office, Airbnb
<b>Door Thickness</b>	30mm~75mm

## PANEL MEASUREMENT

## MORTISE MEASUREMENT

Unit : MM

Unit : mm



Model No : SXDL-SL001AB



TTLock APP

Colour:



● Black

## PRODUCT FEATURES

- **[Keyless Smart Locks]**- 5 unlocking ways: TLock app+keyboard+fingerprint + smart card+Physical key
- **[Security and Convenient]**- Anytime, Anywhere Security and Control With WiFi Gateway (optional add-on, sold separately,remotely lock and unlock your door, set up code or simply check status from anywhere, via mobile app.
- **[3D fingerprint sensor]** Hold the handle and press the fingerprint to unlock it. 100 fingerprints can identify you in less than 1 to 1.5 seconds, and is ideal for children and the elderly.
- **[Battery-powered, external power supply and spare key]** Smart key lock (not included) powered by 4 AA batteries

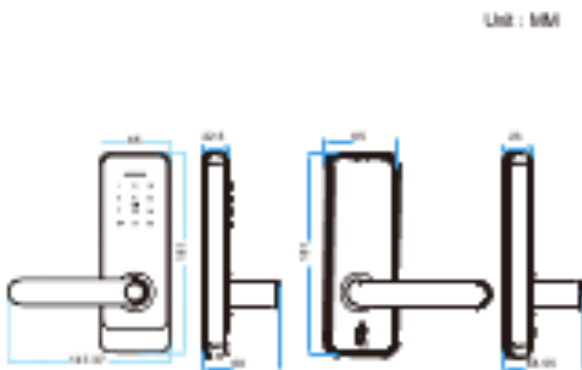


## TECHNICAL PARAMETER

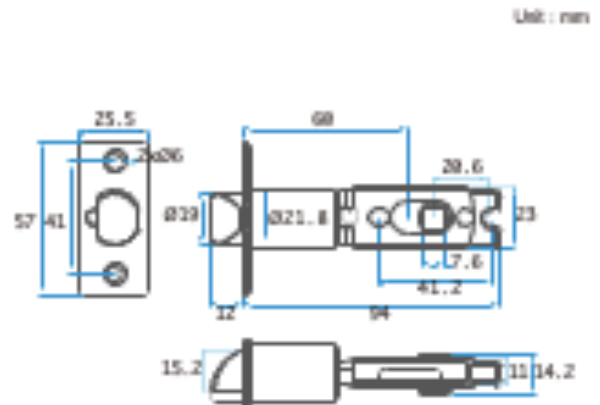
<b>Bluetooth standard</b>	Bluetooth 4.1ble or above
<b>Material Made</b>	Aluminum Alloy
<b>Unlock Ways</b>	APP/ fingerprint/ password/IC card/key/Bluetooth
<b>Power Supply</b>	4.5~6.5v (4AAA batteries)
<b>Fingerprint Capacity</b>	≤300pcs (include Password/Fingerprint/cards)
<b>Low voltage alarm</b>	5V
<b>Working current</b>	250mA
<b>Standby current</b>	75uA

<b>Operating Frequency</b>	Mifare card(13.56MHz)
<b>Fingerprint Type</b>	FPC 160X160
<b>Mortise</b>	Single Latch
<b>Working Temperature</b>	-20°C~70°C
<b>Working Humidity</b>	10%~95%
<b>Size</b>	181*65*22.5mm
<b>Door Thickness</b>	38mm~55mm
<b>Color</b>	Black and silver

## PANEL MEASUREMENT



## MORTISE MEASUREMENT





Model No : SXDL-SL002AB



TTLock APP

Colour:



● Black

## PRODUCT FEATURES

- **[Multiple unlock ways]** : App+Fingerprint+Password+Card+Manual key, WiFi remote control (requires additional gateway device).
- **[CNC procession]** : High quality end just like the phone production requirement, one by one CNC procession, not by mould batch production.
- **[Durability and stability]** : Intelligent door lock has low power alarm function. the door lock has an emergency charging port (Micro-USB),
- **[Smart Home Access]** : -Send eKeys to friends or family, manage your smartphone's to view your access history.
- **[Virtual password]** : -it easy to enter your password in the dark, while voyeuristic virtual passwords help protect the privacy of access codes.
- **[Multiple application]** : -replaces the standard single cylinder American door lock and fits right and left doors, perfect for working in different environments in individual homes, rentals, co-op Spaces, offices or stores.

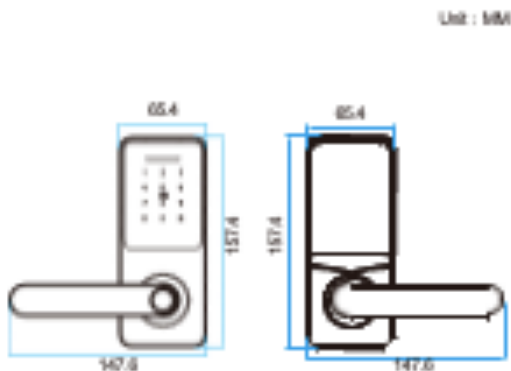
TECHNICAL

## TECHNICAL PARAMETER

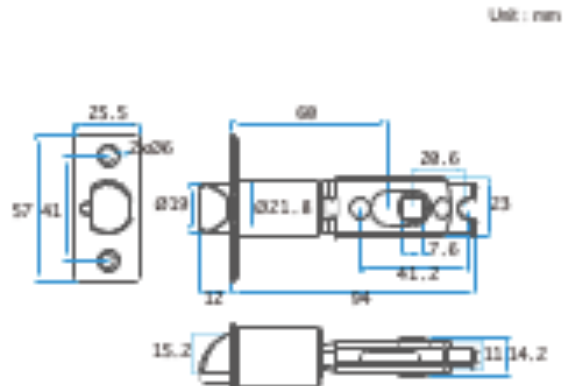
<b>Bluetooth standard</b>	Bluetooth 4.1ble or above
<b>Material Made</b>	Aluminium Alloy
<b>Unlock Ways</b>	App,Fingerprint, Password, Card, Mechanical Key
<b>Power Supply</b>	4AA Batteries(6V)
<b>Card Capacity</b>	200pcs
<b>Finger Capacity</b>	150pcs
<b>Password Capacity</b>	300pcs
<b>Fingerprint Reader</b>	FPC Fingerprint Reader

<b>Operating Frequency</b>	Mifare card(13.56MHz)
<b>Identification Time</b>	<0.3S
<b>Low Voltage Warning</b>	Below 4.8V
<b>Working Temperature</b>	-20°C~70°C
<b>Working Humidity</b>	10%~95%
<b>Application Places</b>	Residential, Apartment, Home, Office, Airbnb
<b>Door Thickness</b>	30mm~75mm

## PANEL MEASUREMENT



## MORTISE MEASUREMENT



Model No : SXDL-SL003AB



TTLock APP

Colour:



● Black

## PRODUCT FEATURES

- **[Multiple unlock ways]** : App+Fingerprint+Password+Card+Manual key, WiFi remote control (requires additional gateway device).
- **[CNC procession]** : High quality end just like the phone production requirement, one by one CNC procession, not by mould batch production.
- **[Durability and stability]** : Intelligent door lock has low power alarm function. the door lock has an emergency charging port (Micro-USB)-
- **[Smart Home Access]** : -Send eKeys to friends or family, manage your smartphone's to view your access history.
- **[Virtual password]** : -it easy to enter your password in the dark, while voyeuristic virtual passwords help protect the privacy of access codes.
- **[Multiple application]** : -replaces the standard single cylinder American door lock and fits right and left doors, perfect for working in different environments in individual homes, rentals, co-op Spaces, offices or stores.



## TECHNICAL PARAMETER

<b>Bluetooth standard</b>	Bluetooth 4.1ble or above
<b>Material Made</b>	Aluminium Alloy
<b>Unlock Ways</b>	TTLOCK App,Fingerprint, Password, Card, Mechanical Key
<b>Power Supply</b>	4AA Batteries(6V)
<b>Card Capacity</b>	200pcs
<b>Finger Capacity</b>	150pcs
<b>Password Capacity</b>	300pcs
<b>Fingerprint Reader</b>	FPC Fingerprint Reader

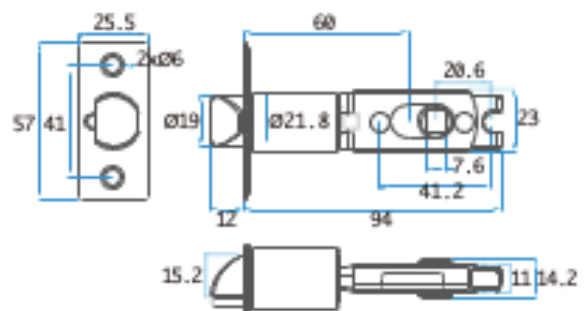
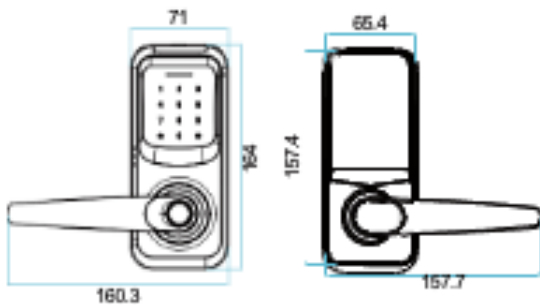
<b>Operating Frequency</b>	MF1 Card (13.56MHz)
<b>Identification Time</b>	<0.3S
<b>Low Voltage Warning</b>	Below 4.8V
<b>Working Temperature</b>	-20°C~70°C
<b>Working Humidity</b>	10%~95%
<b>Application Places</b>	Residential, Apartment, Home, Office, Airbnb
<b>Door Thickness</b>	30mm~75mm

## PANEL MEASUREMENT

## MORTISE MEASUREMENT

Unit : MM

Unit : mm



Model No : SXDL-GD001AB



TTLock APP

Colour:



● Black

## PRODUCT FEATURES

- **[Easy to install, wide range of applications]** This product is very simple to install, you don't need to punch holes at all, just external wiring and network equipment, very simple. It is very versatile and can be fitted with frameless/frameless glass doors, single/double doors, and left/right doors.
- **[Multiple unlocking methods]**-fingerprint+password+credit card+APP, as well as optional remote control, single card solution: support for various contactless smart cards (for example, add the second generation after use) ID card unlock simple, very practical, is a good helper to protect your family.
- **[Doorbell function and real-time voice alarm]** The product has doorbell function, just press the doorbell button #, you can immediately wake up the bell, but also has real-time voice alarm function, the whole process of voice navigation, easy to operate, practical, low price, absolutely suitable for your life assistant.
- **[Password Protection Design]** When you unlock with a password, you can add multiple incorrect passwords before/after entering the correct password. Press # to confirm the lock. (Anti-snooping garlic can be entered up to 30 digits.)
- **[Highly secure Smart Lock]** This smart fingerprint lock has an alarm clock lock function. When someone enters the wrong password five times in a row, the system will alarm and lock for three minutes. It also has a backup external power supply that fits the standard USB port on Android phones. Emergency power can be unlocked when the battery dies and the power fails.

## TECHNICAL PARAMETER

<b>Bluetooth standard</b>	Bluetooth 4.1ble or above
<b>False accept rate</b>	≤0.001%
<b>False reject rate</b>	≤1%
<b>Static power consumption</b>	≤120uA
<b>Fingerprint sensor</b>	semiconductor biometric identification
<b>Operating Frequency</b>	Mifare card(13.56MHz)
<b>Storage capacity</b>	fingerprint ( 100 ) card and password ( 1000groups )
<b>Power supply</b>	4pcs 1.5V AA alkaline dry batteries

<b>Emergency power supply</b>	USB Type-C
<b>Working temperature</b>	-25°C~+65°C
<b>Product weight</b>	about 1.25kg
<b>Door opening mode</b>	applicable push or pull, induction left open/right open
<b>Applicable door type</b>	glass door, aluminum door with frame, wooden door, sliding door
<b>Door type specification</b>	door gap 3 ~ 10mm a) Frame-less door with the 8~12mm thick glass, the 8mm glass needs to install the thickening plates. b) Door with the 40-70mm thick frame. (door gap 3~10mm)
<b>Unlocking methods</b>	fingerprint, password, card,temporary password Mechanical key unlocking (no key for framed door)

## PANEL MEASUREMENT



# STANLEY

## FINGERPRINT PADLOCK



SXDL-DP001S



SXDL-DP001B

### TECHNICAL PARAMETER

Lock body color: silver/black

Lock body material: zinc alloy

Product size: 76\*46\*13mm Lock beam diameter: 5mm

Net weight: 98 grams

Unlocking mode: fingerprint identification unlocking

Number of fingerprints stored: 10

Pressing times during fingerprint entry: 10 times

## GATEWAY



### TECHNICAL PARAMETER

Dimension:70\*70\*26mm

Network:Wifi2.4G

IEEE standard:802.11 b/g/n

Power interface:Type-C usb

Power input:DC 5V/500MA

Weight:40g

one gateway can afford 20m distance, around 5 rooms network.

## KEY ACCESS CARD



## TTLOCK SYSTEM

Gateway Bluetooth for different scenes



TTLock APP



**TT Lock App** is a management software for smart lock . This APP can be used to manage various types of smart locks, including door locks, parking locks, safe locks, bicycle locks, and so on. The App and the lock communicate via Bluetooth to unlock, lock, hardware upgrade, read operation record, etc. on the App. The Bluetooth key can also help open the door lock through the AI watch. Currently, the App supports Simplified Chinese, Traditional Chinese, English, Spanish, French, German, Italian, Russian, Portuguese, Serbian, Malay, Japanese, Vietnamese.

**Unlimited eKeys** : Grant or Revoke Access with our Patented Online Cloud based eKeys. eKeys can be Time/Period Based, Permanent, One Time, Cyclic or customised.

**Convenient Password** : Grant Access via Intelligent Passcodes from Anywhere in the World in Real time without the need of Internet/WiFi/GSM, Passcodes can be Time Based, Cyclic, One Time, Permanent or customised.

**Free Checking Record by APP:** Review Access Logs in Chronological order, Receive UNLOCK Notifications instantly.

**Multiple Unlocking:** Manage eKeys, Passcodes, Fingerprints, IC Cards all from within our APP.







# STANLEY



## HOME SMART LOCK

Your smart phone is  
now your key.

# STANLEY®

@ 2021 Stanley Black & Decker, Inc. STANLEY® and the STANLEY® logo are trademarks of Stanley Black & Decker, Inc. or an affiliate thereof and are used under license

**CJP MARKETING PTE LTD**  
2 GAMBAS CRESENT  
#09-14 NORDCOM II  
SINGAPORE 757044



**Website : [www.cjpl.com](http://www.cjpl.com)**  
**Email : [sales@cjpl.com](mailto:sales@cjpl.com)**

