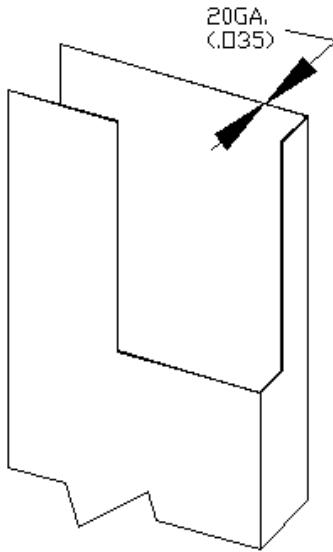




ALL METAL STAMPING, INC.

411 WEST SPRUCE, P.O. BOX 485, ABBOTSFORD, WI. 54405
PHONE: 715-223-6324 FAX: 715-223-3352
EMAIL: AllMetal@AllMetalStamping.com

When using 5" Channels



1. 5" Channels are made from 20 GA. (.035) Galvanized Steel. When sizing your doors for the opening you must take the thickness of the channel into consideration. The channel thickness at the stile edge is approximately 1/32".

2. When we machine the channels for the Device and Trim punch outs the backset measurements are computed from the outside edge of the channel to maintain the proper alignment with the strike locations on the frame. (See Attachment A). Therefore when the door is machined for the device the backset calculation must be adjusted approximately 1/32" to achieve alignment with the channel.

CONTINUED ON NEXT PAGE

3. The devices listed below have a 1-1/4" X 8" Adjustment Port in the lock stile edge of the door. We can provide Tabs welded to the channels for attachment of the Cover Plate upon installation. For the Tabs to seat properly against the door it must be machined differently than specified on the Manufacturer's Device Template (See below). If you have sufficient stile material to allow attachment of the Cover Plate directly to your door you can mark the appropriate template for NO Tabs. If you selected to have Tabs included you must alter your machining procedure as stated below. **Before you modify your machining procedure check with your UL/WHI Procedure to make sure the adjustments will not nullify your fire rating.**

DORMA (F)4100, or (F)6100 & DORMA (F)5100

Von Duprin 9847WDC(F)/9947WDC(F)

Von Duprin 9849CVCS/9949CVCS

Von Duprin 5547WDC(F)

Precision 1700/FL-1700

Sargent PP8600 & PR8600 (Lock & Strike Openings)

Precision FL2700/2700

► The machining for the Cover Plate is 1-1/4" X 8" X 1/8" deep. To allow for the Tabs the machining must be changed to 1-3/4" X 11" X 3/16" deep. (See Attachment B) The VD 5547WDC(F) has an option which uses a 12" Plate, if using this option with Tabs you need to machine for Tabs as follows: 1-3/4" X 15" X 3/16" deep.

4. Top (and Bottom) Bracket(s) can be welded in the channels listed below to allow for attachment of the CVR's. Many Door Manufacturers have sufficient top (and bottom) rail to allow attachment without the bracket(s). You must specify on the templates whether to include or exclude the bracket(s). Remember, if you select to have the bracket(s) sufficient material must be removed from the door to allow room for the bracket(s). (See Attachment C) The 5" Channels affected are:

#251 Von Duprin 9847/9947 Device

#251A Von Duprin 9849/9949 Device

#251B Von Duprin 9850/9950 Device

#252 Von Duprin 5547 Device

#253 Von Duprin 3347/3547 Device

#254 DORMA/American 4100/6100 Device

#255 Sargent Device 8600 Device

#257 Yale 2160/7160 Devices

#258 Monarch (F)17/24/18/25/XX-C Devices

#261 Corbin Russwin 5860 Device

#262 Precision 1700/FL-1700 Device

#263 Sargent PP8600 & PR8600 Device

#264 DORMA 9100 Device

#264A DORMA 9600 Device

#265 Precision FL 2700/2700 Device

#266 DORMA 5100 Device

#267 Von Duprin 3347A/3547A Device

#267A Von Duprin 3350A/3550A Device

#268 Assa Abloy WD7000/MP9800 Device

#270 Stanley QED 100 Device

#271 Hager 4500 Device

#272 Detex 7000 Series Devices

#273 Cal-Royal W77/W98CVR Device

#274 Lawrence LH8850/8650 Device

#275 Schlage LM9200 Device

#276 PDQ 6200CV(F) Device

Please find a complete set of templates included. Please destroy all older versions and use these new templates ONLY. Keep this set as your originals and make copies as necessary. When you have determined whether your Company needs the TABS and BRACKETS mark your original templates before they are distributed to the Order Writers. This will ensure your channels will be manufactured to meet your preferences.

If we can be of any assistance please contact us at your convenience.

Thanks,
Thomas E. Waggoner
Controller

Template Modification Date: 2/11/20

Document Modified 5/27/21

All Metal Stamping, Inc. Abbotsford, WI. 54405

Chronology of Changes

June 8, 2016

- We have added Template #277.5 for the Corbin Russwin FE6800 Multi-Point Lock.

May 12, 2016

- We have added Template #276 for the PDQ 6200CV(F) Concealed Vertical Rod Device.

April 26, 2016

- We have added Template #275 for the Schlage LM9200 Vertical Locking Device.

January 21, 2015

- We have added Template #251B for the Von Duprin 9850/9950 Device and we added Template #267A for the Von Duprin 3350A/3550A Device. We have also included Template #264A for the DORMA 9600 Device.

February 18, 2014

- We have added Templates #269 for the Monarch/Falcon Centerslide Device. Template #270 for the Stanley QED100 (formally Black & Decker). Template #271 for the Hager 4500 Series. Template #273 for the Cal-Royal W77CVR, and lastly #274 for the Lawrence L8850/8650.

November 3, 2008

- The first channels produced were made as 2 "L" shaped pieces which were then welded together using a 16 GA. Strip to make a one piece channel. A tool was developed in 1991 to form the channels in one piece. Since applying the strip was wasteful in both material and manpower and added almost nothing but weight to the channels a decision was made to drop the strip effective for all orders received on or after 11/3/2008.

December 18, 2007- updated 5/12/16

- Model #268 for the Sargent Series WD 7000 Concealed Vertical Lock Devices has been added to the template packet. There are 2 templates, one for LHR/RHR and the other for LH/RH devices. The template includes options for the 3 approved Trims and includes options for Top and /or Bottom Latch Brackets.

June 9, 2004

- Model #266 for the DORMA Series 5100 Concealed Vertical Rod Devices has been added to the template packet. The template includes options for Top and/or Bottom Latch Brackets and Cover Plate Tabs in the stile adjustment port.
- Model #267 for the Von Duprin Series 3347A/3547A Concealed Vertical Rod Devices has been added to the template packet as well. The template includes an option for a single Top Latch Bracket.

August 15, 2003

- Model #258 for the Monarch Series (F) 17/18-C Concealed Vertical Rod Devices. Our channels are made for compatibility to the Monarch devices shown on Monarch Template No.'s W-1300 & W-1302 ONLY. There is a ¼" difference in the location of the CenterLine of Device between the W-1300 Template and the W-1302 Template therefore it is imperative that we know which device template you are using. We have revised our templates to include a selection box for the device template you are using. We have added Model #265 for the Precision FL2700/2700 Series CVR's. This is a new series introduced by Precision. The template includes an option for Top Latch Brackets and Cover Plate Tabs in the stile adjustment port.

February 19, 2003

- We have modified the templates for the Monarch Series (F) 17/18-C Concealed Vertical Rod Devices, our Model # 258 to include an option to select Top and Bottom Latch Brackets. We have developed internal brackets, similar to those available on many other channels styles. This feature allows the installer to attach the rod brackets directly to our channel brackets. There are 2 top brackets and 1 bottom bracket installed if selected. Please be advised that if you select the bracket option that sufficient material must be removed from the top and bottom of the door to allow the channel to slide on over the door and allow room for the brackets. We recommend that the top and bottom of the door be machined 7/16" deep to allow room for the brackets. If this option is selected we will not install the Bracket Holes which had been standard to this time. If no selection is made we will assume NONE was selected.

October 1, 2002

- The outside trim on the Von Duprin templates (#251, #252, & #253) have been modified to differentiate the 376L (Lever Trim) from the 376T (Thumbturn Trim). We have changed the options to allow the Customer to request we machine the channels for a 4" X 1-1/4" Plate rather than the former Access Hole for which Von Duprin does not provide a cover plate. The Customer can obtain the needed Cover Plate directly from Von Duprin. Their Part No. is #94-387-finish. The new template allows the Customer to choose Cover Plate Tabs for attachment of the Plate. When the Von Duprin Device #5547 (#252) is selected with the 376L (Lever Trim) Von Duprin provides a 12" X 1-1/4" Plate to cover both the Access Hole and the Adjustment Port. We can machine the channels for this plate and provide Cover Plate Tabs if requested.
- The templates for the #255 (Sargent 8600), #257 (Yale 7160), #261 (Corbin Russwin 5860), and the #264 (DORMA 9100) have been modified to allow the Customer to select NO Latch Brackets, Top Brackets ONLY, or Top & Bottom Brackets. The templates for the #263 (Sargent PP & PR 8600) have been modified to allow the Customer to select Top Latch Brackets and Cover Plate Tabs. These channels now receive 2 Brackets (See Attachment C in the main Packet).



See reverse side for painting instructions

Installation Instructions

5" Channels for Concealed Vertical Rod Devices (CVR)

(See package label for Model No. and CVR Series)

1. Install the Concealed Vertical Rod Device into the door per the Manufacturer's Installation Instructions. If the channels have top and/or bottom brackets the top and/or bottom rods will have to be installed after the channel is installed.
2. Match each channel to a door making sure door bevel and channel bevel are the same. Also visually check alignment of the machined cutouts in the channel against the machining detail on the door. They should be similar.
3. Slide a channel over the edge of the matching door. The channels are designed to fit snugly. Be careful NOT to mar or damage the finish of the channel.

THINGS TO WATCH FOR:

- Does the channel have top and/or bottom brackets welded inside the channel? These brackets are designed to allow attachment of the rod brackets on the CVR. The door must be machined to allow room for these brackets in the top and/or bottom of the door. If there is interference it will be necessary to router out clearance in the top and/or bottom of the door.
 - Does the channel have a 1-1/4" X 8" cutout in the Lock Edge that has screw tabs welded into the cutout?
Make sure the channel slides all the way back on the door. If the screw tab bracket is hitting the door and NOT allowing the channel to seat snugly against the edge of the door, it will be necessary to router out clearance where the screw tabs are hitting the door.
 - Check alignment of the cutouts in the channel against the machine openings in the door. Make sure the device will function properly.
4. Some CVR Instructions require installation holes which are to be drilled upon installation. Install these holes in both the channel and door as required.
 5. Mark the location for the 4 Binder Posts & Screws. Slide channel clear and drill a minimum of 3/8" holes where marked. A 3/8" hole is necessary to allow the coin of the hole in the channel to seat itself in the door. Failure to do this will cause the channel surface to appear wavy. Slide channel back in place and secure the Binder Posts & Screws.
 6. Complete installation of the Concealed Vertical Rod Device per the Manufacturer's Installation Instructions.

Top Coating Instructions

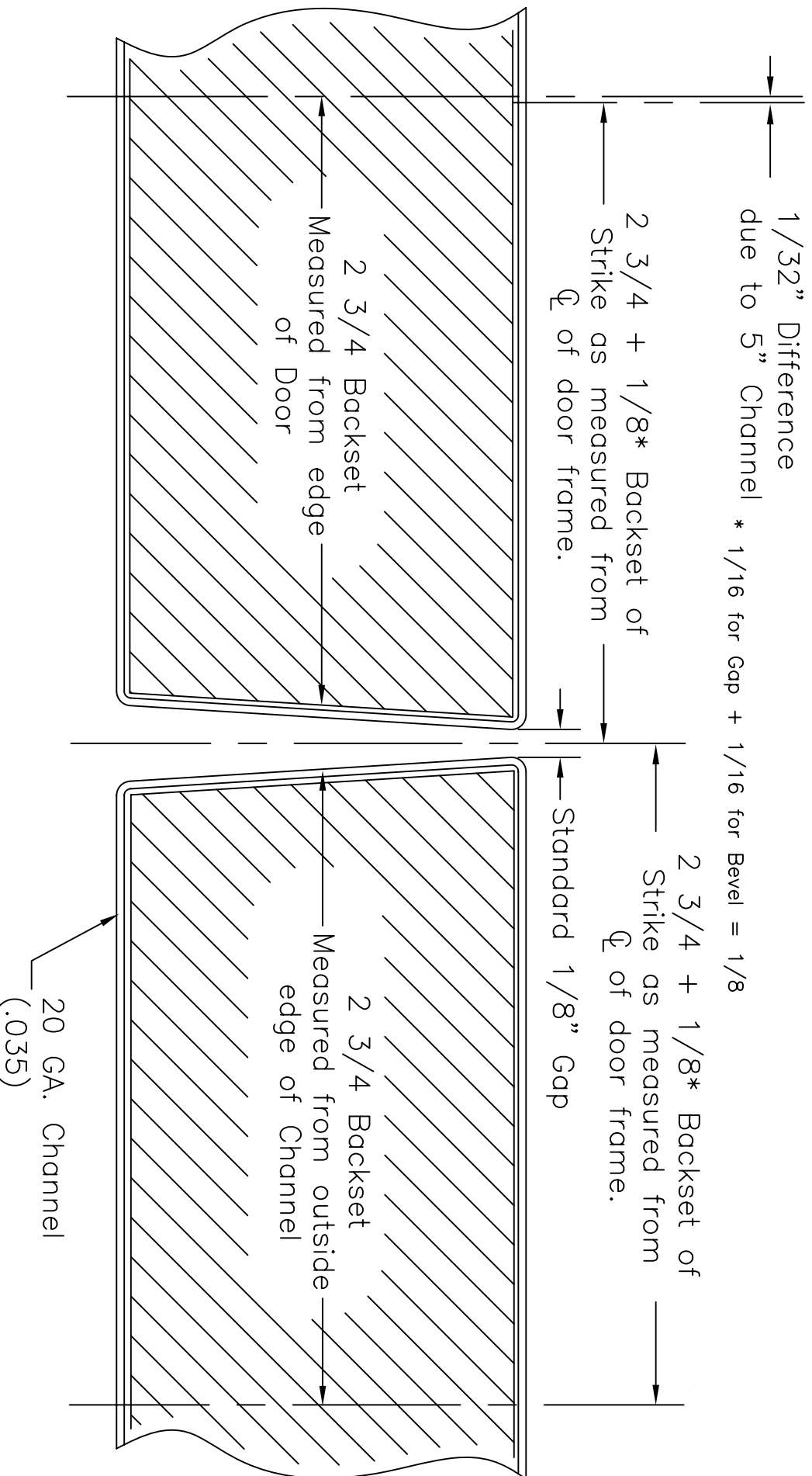
STANDARD FINISH: Beige, Gray or Dark Bronze polyester powder coating. These coatings are tough, corrosion resistant and provide a very durable surface. Special colors are lacquer, industrial enamel, or powder coatings dependent on color.

TOP COATING FIRE DOOR HARDWARE: Many top coats have good compatibility with powder coatings. Exceptions are some enamels, many latex, and water based paints. It is necessary that the surface be thoroughly sanded prior to the application of any top coat. Make sure the surface is clean and dry. To ensure compatibility always test paint a small area on a non-visible portion of the product and check for proper adhesion before proceeding.

Final finish of the product is the responsibility of the purchaser. We do not warrant the suitability of the product for any particular application.

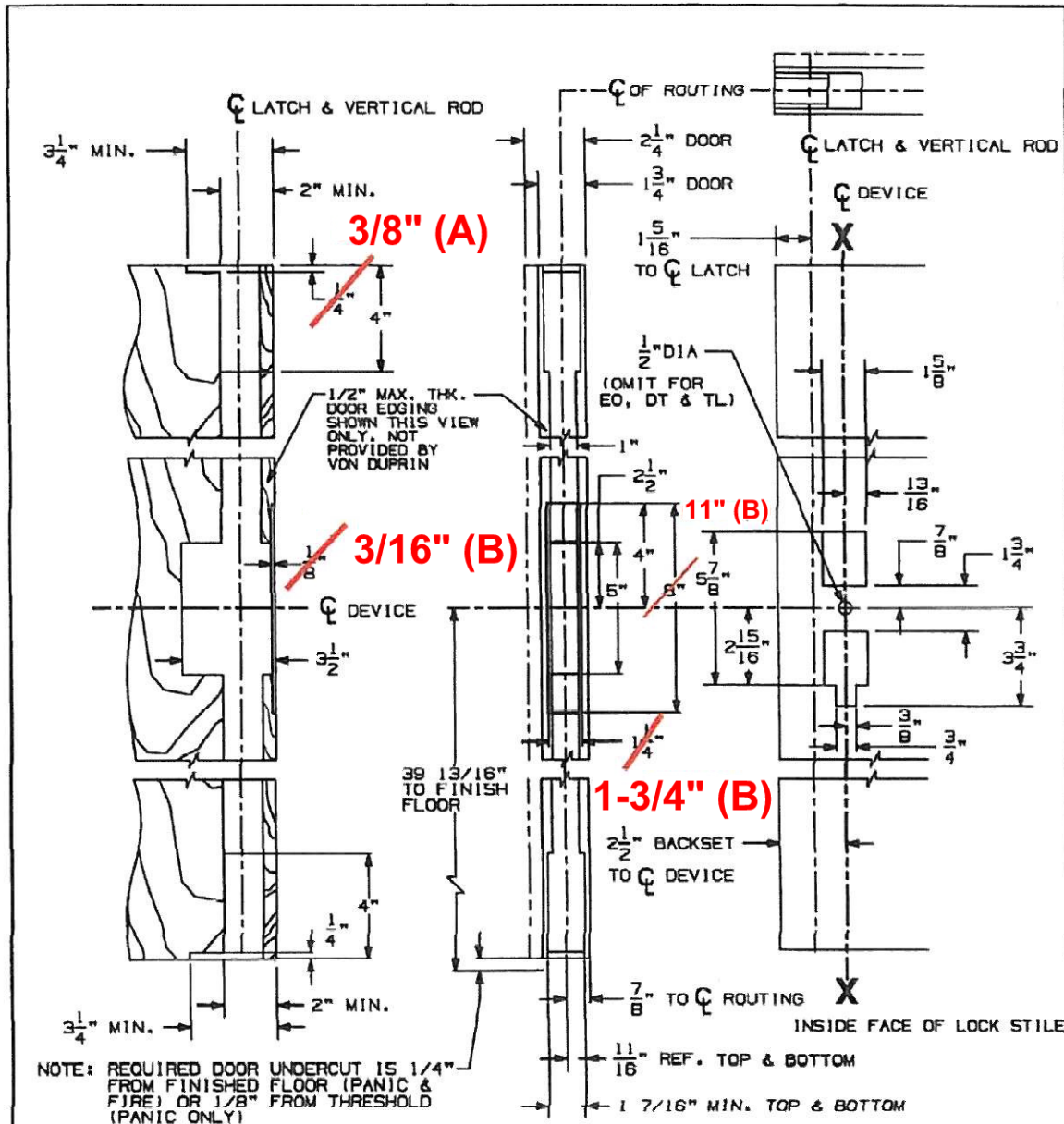
LIMITED WARRANTY: ALL METAL STAMPING, INC. WARRANTS ALL DOOR HARDWARE TO BE FREE FROM DEFECTS IN MATERIALS AND WORKMANSHIP. Purchaser assumes responsibility to verify and determine that color, finish, and quality of materials will meet required specifications. No claim shall be allowed unless Purchaser gives notice to manufacturer within 30 days from date materials are received. If color match, finish quality, or glass and cutout fit are not satisfactory, **DO NOT INSTALL. UPON INSTALLATION THIS WARRANTY ENDS. Manufacturer's only obligation shall be replacement, refinishing, or refund of the original purchase price, at our option. THESE ARE THE EXCLUSIVE REMEDIES PROVIDED, AND ALL METAL STAMPING, INC. SHALL NOT BE LIABLE FOR ANY OTHER DAMAGES, INCLUDING, ANY OTHER DIRECT, INDIRECT, INCIDENTAL OR CONSEQUENTIAL DAMAGES.** This warranty does not apply to door hardware which has been abused, altered, improperly installed, used with incompatible or inappropriate components (EX. Oversized Glass), exposed to corrosive environments, or environments for which the product is not intended. No material shall be returned without prior authorization. This warranty extends only to the original purchaser who is buying the hardware from All Metal Stamping, Inc. for purposes of resale or use in the ordinary course of their business.

ATTACHMENT A



ATTACHMENT B

- (A) to allow room for the top bracket the top of the door must be machined $\frac{3}{8}$ " deep rather than $\frac{1}{4}$ " as specified on the template.
- (B) to allow room for the cover plate tabs the door must be machined to the dimensions shown rather than those specified on the template.



NOTES:

1. MOUNTING HOLES TO BE PREPARED AT INSTALLATION ON DOOR.
2. TRIM OR CONTROL APPLICATION MAY REQUIRE ADDITIONAL PREPARATION, SEE TRIM OR CONTROL DIRECTION SHEET.

LHR APPLICATION SHOWN,
RHR APPLICATION OPPOSITE

VON DUPRIN
STD & CX98/9917WDC SERIES DEVICE
(WOOD DOOR)

INGERSOLL-RAND ®
ARCHITECTURAL HARDWARE

NOTE:

TEMPLATE NUMBER:

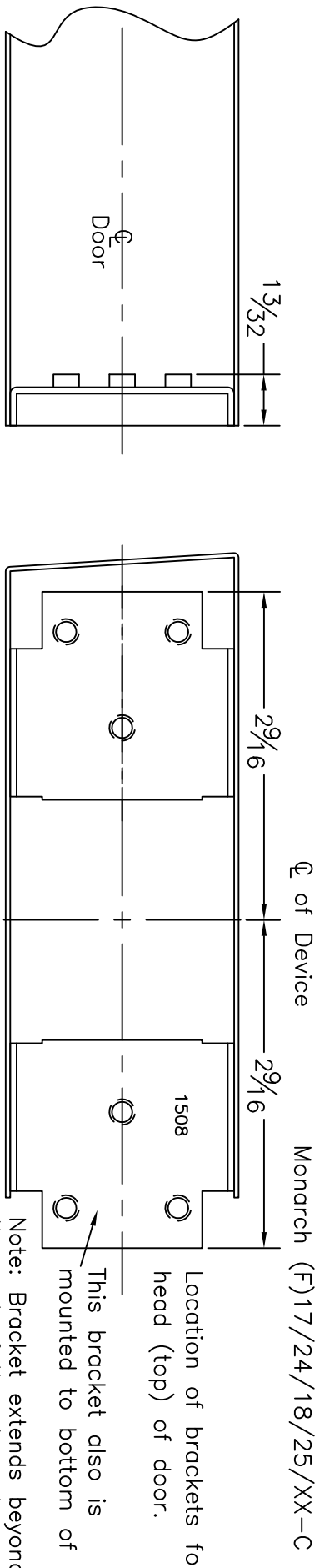
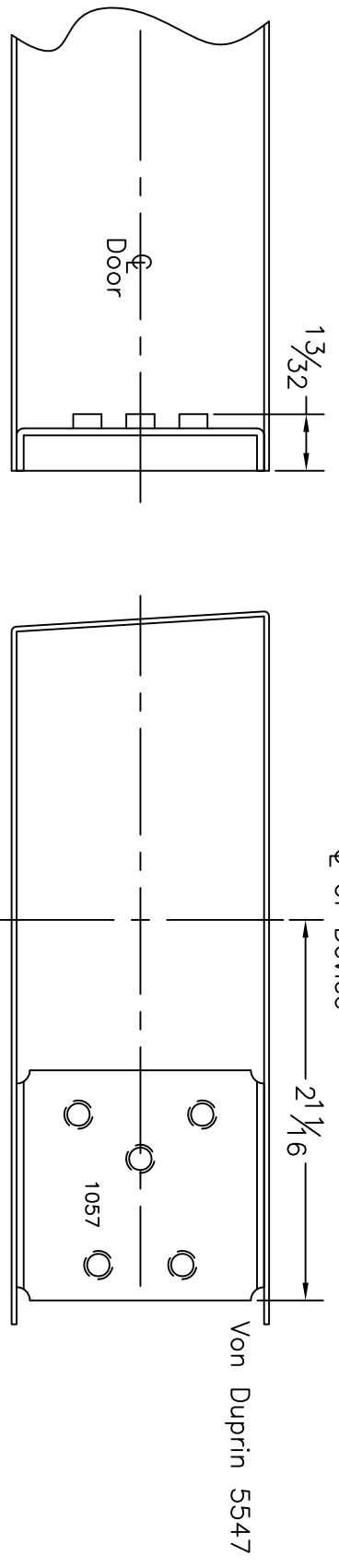
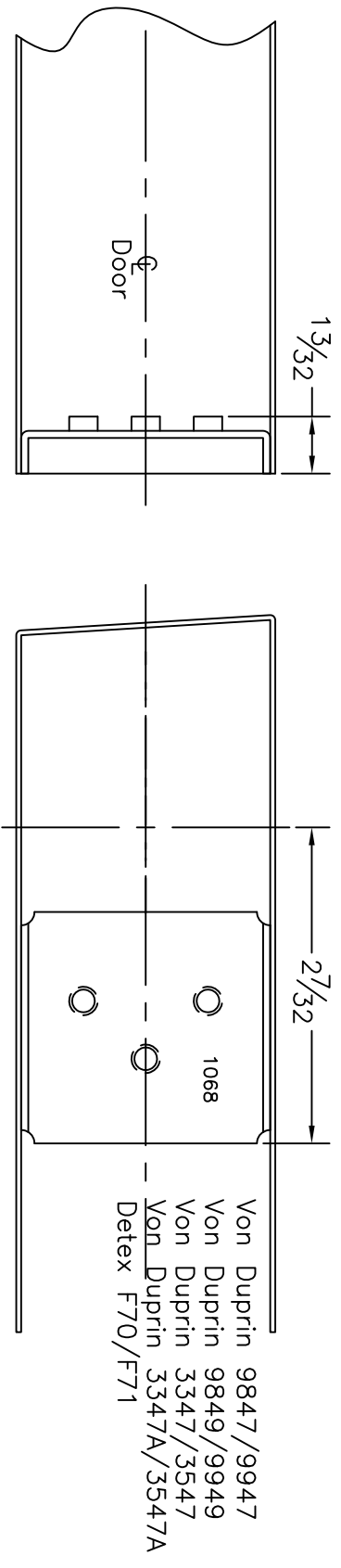
W10054_B

DATE:

10-13-98

ATTACHMENT C 5" CHANNEL BRACKETS

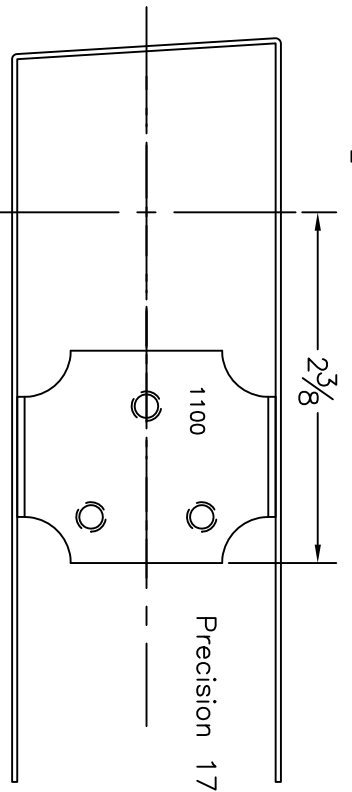
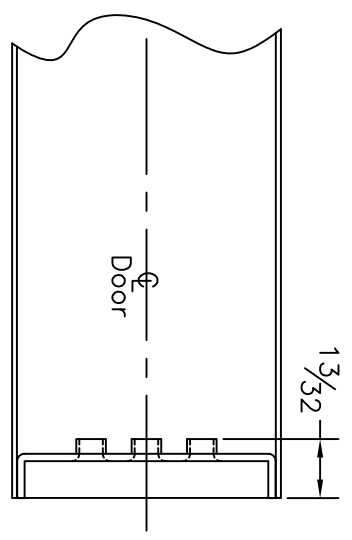
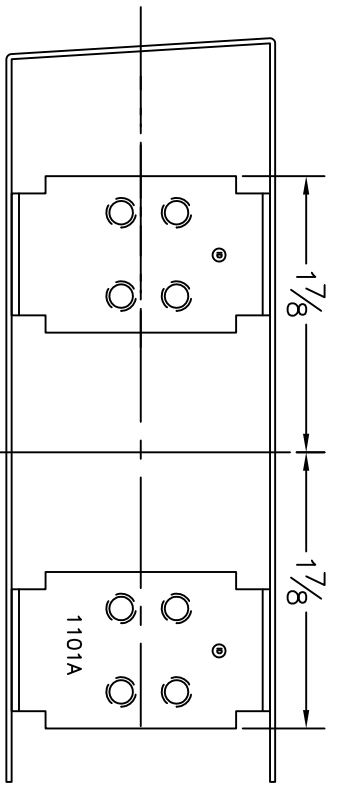
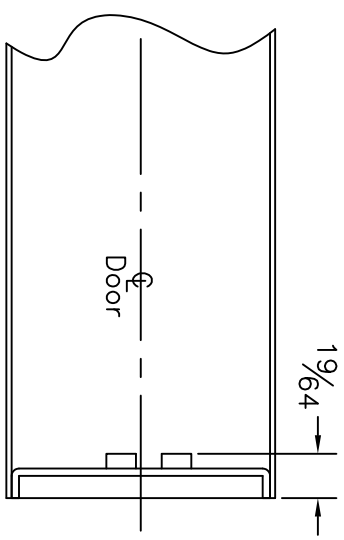
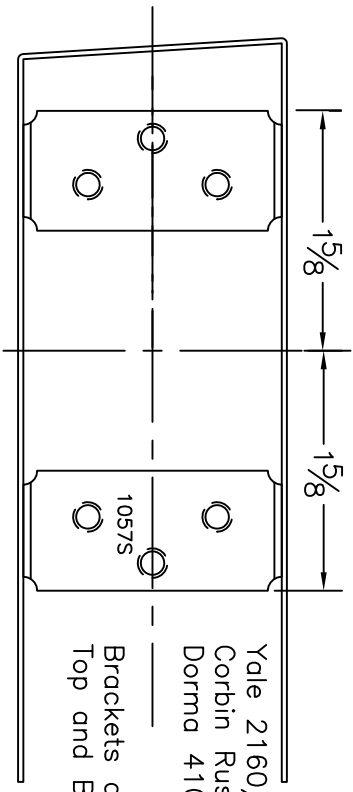
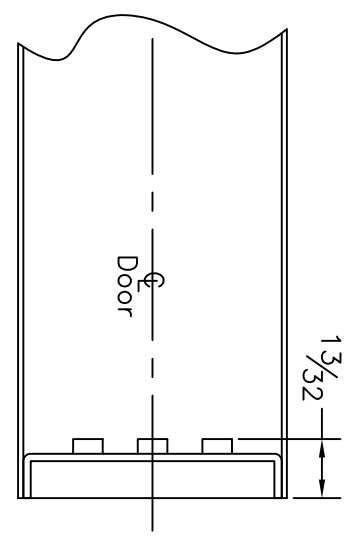
Below are views of how the Top/Bottom Brackets are mounted into the 5" Channels.



ATTACHMENT C

5" CHANNEL BRACKETS

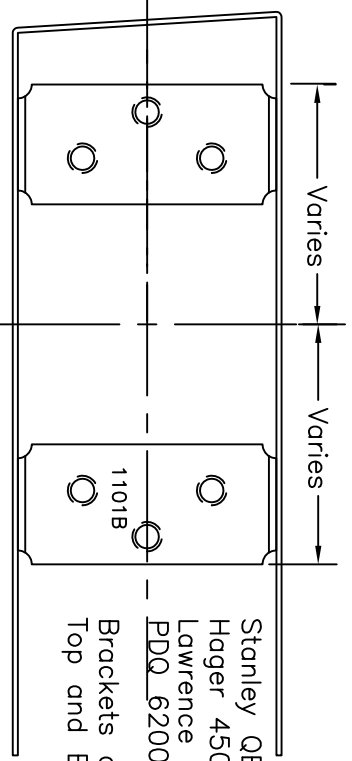
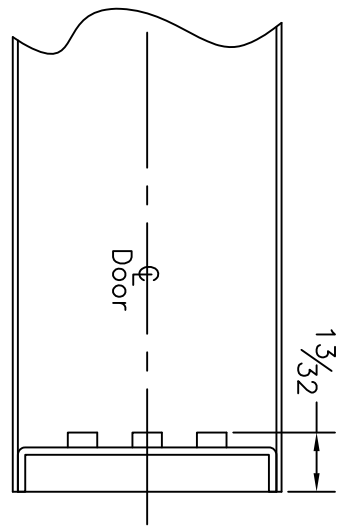
Below are views of how the Top Brackets are mounted into the 5" Channels.



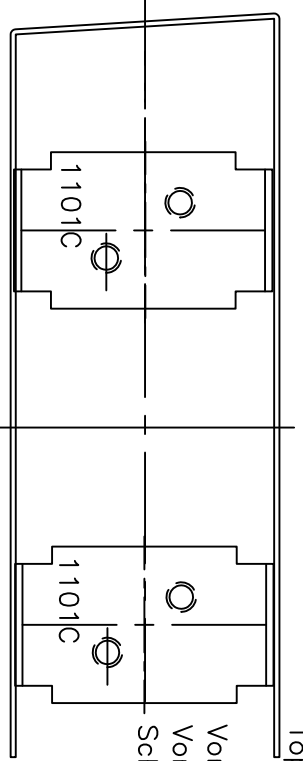
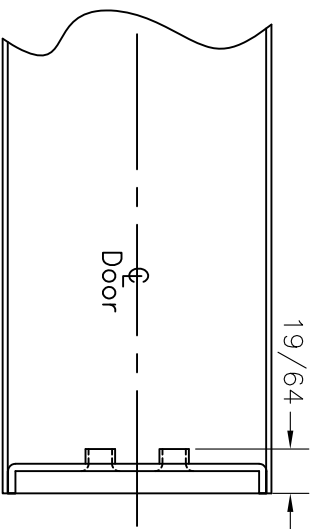
ATTACHMENT C 5" CHANNEL BRACKETS

Below are views of how the Top Brackets are mounted into the 5" Channels.

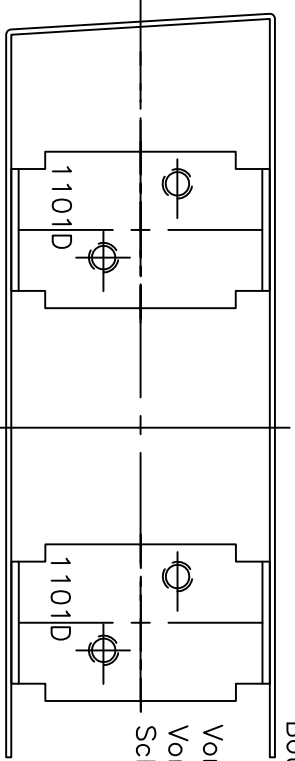
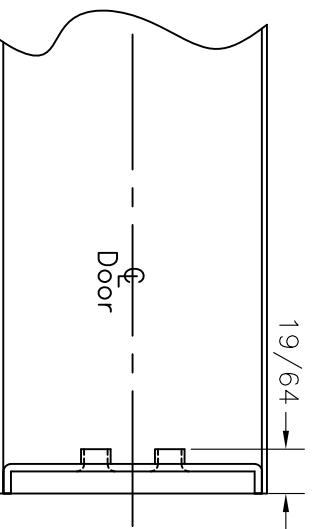
Ø of Device



Stanley QED100
Hager 4500
Lawrence LH8850/8650
PQQ 6200CV(F)
Brackets available for both
Top and Bottom of Door.



Top Brackets ONLY.
Von Duprin 3350A/3550A WDC
Von Duprin 9850/9950 WDC
Schlage LM9200 WDC



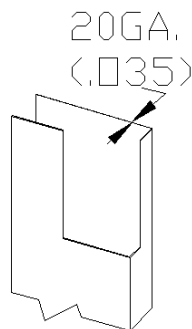
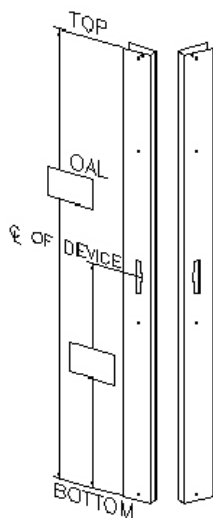
Bottom Brackets ONLY.
Von Duprin 3350A/3550A WDC
Von Duprin 9850/9950 WDC
Schlage LM9200 WDC

CONCEALED VERTICAL ROD 5" METAL CHANNELS for WOOD DOORS

MATERIAL: 20 GA. GALVANIZED STEEL POWDER PAINTED BEIGE

SPECIALS: 20 GA. SS w/#4 BRUSHED FINISH - VENEER WRAPPED

AMS Part No.	Device Manufacturer	Series
251	Von Duprin Series	9847/9947
251A	Von Duprin CVC Series	9849/9949
251B	Von Duprin CVC Series	9850/9950
252	Von Duprin Series	5547
253	Von Duprin Series	3347/3547
254	DORMA Device	4100/6100
255	Sargent Device	8600
256	Adams Rite Device	3900/8900
257	Yale Device	7100
258	Monarch/Falcon Devices	(F) 17-24-18-25-XX-C
260	Arrow Device	F3600
261	Corbin Russwin Device	5800
262	Precision Device	FL 1700/1700
263	Sargent Device	PP8600 & PR8600
264	DORMA Device	9100
264A	DORMA Device	9600
265	Precision Device	FL 2700/2700
266	DORMA Device	5100
267	Von Duprin Series	3347A/3547A
267A	Von Duprin CVC Series	3350A/3550A
268	Assa Abloy Device	WD7000/MP9800
269	Monarch/Falcon Centerslide Devices	(F) 17-24-18-25-XX-C
270	Stanley Series (Black & Decker)	QED 100
271	Hager CVR Series	4500
272	Detex CVR Series	7000
273	Cal-Royal Series	W77CVR/W98CVR
274	Lawrence Series	LH8850/8650
275	Schlage Series	LM9200
276	PDQ Series	6200CV(F)
277.5	Corbin Russwin Device	FE6800 MPL



20 GA. Galvanized Channel (.035)
Adds an additional 1/32" to the
Edge of your door.

A completed AMS Template must accompany your
order. Templates are available on our website
(www.AllMetalStamping.com)

ALL METAL STAMPING, INC.

411 W. SPRUCE STREET

P.O. BOX 485, ABBOTSFORD, WI. 54405-0485

Phone 715-223-6324

FAX 715-223-3352

10/28/14

ALL METAL STAMPING, INC., ABBOTSFORD, WI. 54405

715-223-6324

FAX: 715-223-3352

AMS USE ONLY

5" CHANNEL - VON DUPRIN CVR's

CUSTOMER: _____ DOOR #: _____

P.O.: _____ DATE: _____

M.O.: _____

ACCESSORY ITEM #: _____

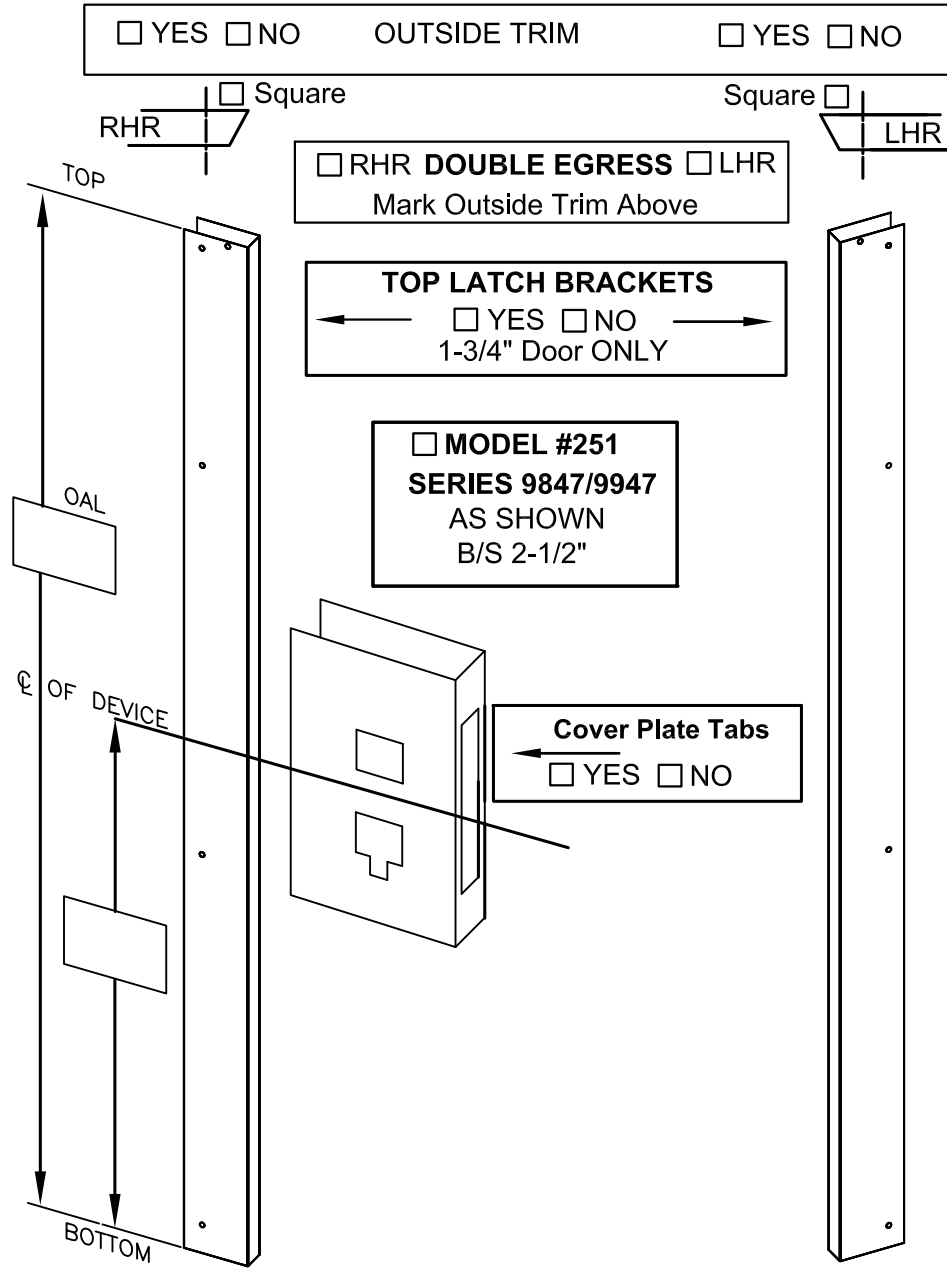
DOOR ITEM: _____ DRAWN BY: _____ DATE: _____

NO. of SETS REQ.: _____ DATE REQ.: _____

Std. Beige Special Color: _____ No Paint

1-3/4" Door 1-13/16" Door 2-1/4" Door Veneer: _____

Other _____ 20 GA. Galv. (Std.) Other _____



OUTSIDE TRIM

696/697

990TP/990

991/992
 994/996

376T
Thumbturn
Access Hole
 YES

Use VD Scalp Plate

 Cover Plate Tabs
 NO

Complete dimension above

NON-LISTED TRIM
 Template must accompany Order

10/28/14

ALL METAL STAMPING, INC., ABBOTSFORD, WI. 54405

715-223-6324

FAX: 715-223-3352

AMS USE ONLY

5" CHANNEL - VON DUPRIN CVR's

CUSTOMER: _____ DOOR #: _____

P.O.: _____ DATE: _____

M.O.: _____

ACCESSORY ITEM #: _____

DOOR ITEM: _____ DRAWN BY: _____ DATE: _____

NO. of SETS REQ.: _____ DATE REQ.: _____

Std. Beige Special Color: _____ No Paint

1-3/4" Door 1-13/16" Door 2-1/4" Door Veneer: _____

Other _____ 20 GA. Galv. (Std.) Other _____

YES NO OUTSIDE TRIM YES NO

Square

Square

RHR

LHR

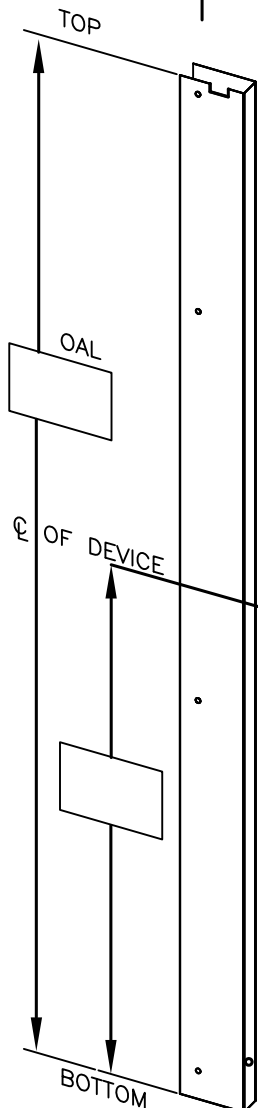
RHR **DOUBLE EGRESS** LHR
Mark Outside Trim Above

TOP LATCH BRACKETS
 YES NO
1-3/4" Door ONLY

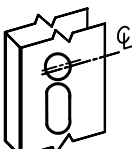
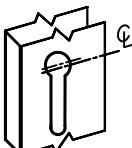
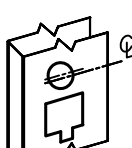
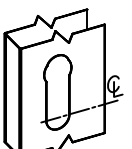

MODEL #251A
SERIES 9849/9949
Concealed Vertical Cable System
AS SHOWN
B/S 2-1/2"

Cover Plate Tabs
 YES NO

No Bottom Adj. Hole
Mark NO for LBR Applications



OUTSIDE TRIM

-  696/697
-  990TP/990
-  991/992
 994/996
-  376T
Thumbturn
Access Hole YES
Use VD Scalp Plate 
- Cover Plate Tabs NO

Complete dimension above

NON-LISTED TRIM
Template must accompany Order

1/21/15

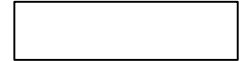
ALL METAL STAMPING, INC., ABBOTSFORD, WI. 54405

715-223-6324

FAX: 715-223-3352

AMS USE ONLY

5" CHANNEL - VON DUPRIN CVR's



CUSTOMER: _____ DOOR #: _____

P.O.: _____ DATE: _____

M.O.: _____

ACCESSORY ITEM #: _____

DOOR ITEM: _____ DRAWN BY: _____ DATE: _____

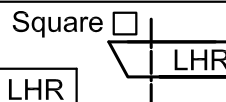
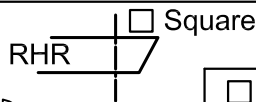
NO. of SETS REQ.: _____ DATE REQ.: _____

Std. Beige Special Color: _____ No Paint

1-3/4" Door 1-13/16" Door 2-1/4" Door Veneer: _____

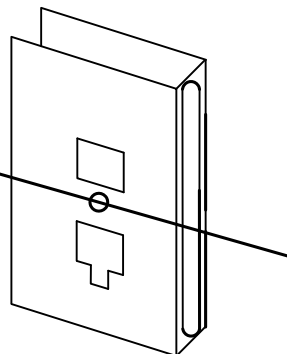
Other _____ 20 GA. Galv. (Std.) Other _____

YES NO OUTSIDE TRIM YES NO

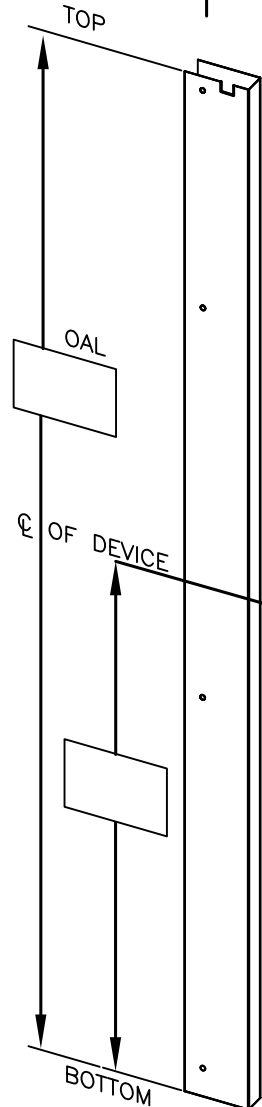


RHR **DOUBLE EGRESS** LHR
Mark Outside Trim Above

LATCH BRACKETS
 NONE
 TOP ONLY
 TOP & BOTTOM
1-3/4" Door ONLY



MODEL #251B
SERIES 9850/9950
AS SHOWN
B/S 2-3/8"



OUTSIDE TRIM

110NL
 696NL/697NL
 696TP/697TP

696TP-BE/697TP-BE

990NL 990TP

990TP-BE 996L

996L-NL 996L-BE

NON-LISTED TRIM
Template must accompany Order

1/11/18

ALL METAL STAMPING, INC., ABBOTSFORD, WI. 54405

715-223-6324

FAX: 715-223-3352

5" CHANNEL - VON DUPRIN CVR's

AMS USE ONLY

CUSTOMER: _____ DOOR #: _____

P.O.: _____ DATE: _____

M.O.: _____

ACCESSORY ITEM #: _____

DOOR ITEM: _____ DRAWN BY: _____ DATE: _____

NO. of SETS REQ.: _____ DATE REQ.: _____

Std. Beige Special Color: _____ No Paint

1-3/4" Door 1-13/16" Door 2-1/4" Door Veneer: _____

Other _____ 20 GA. Galv. (Std.) Other _____

YES NO OUTSIDE TRIM YES NO

Square RHR

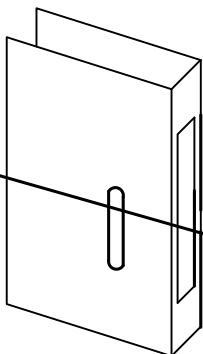
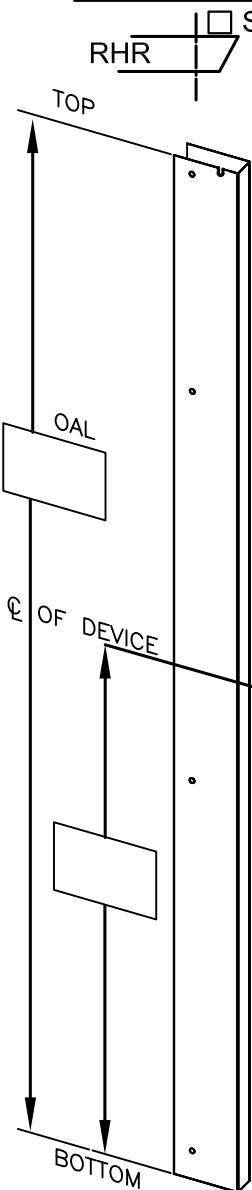
Square LHR

RHR **DOUBLE EGRESS** LHR
Mark Outside Trim Above

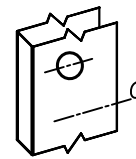
TOP LATCH BRACKETS
 YES NO
← 1-3/4" Door ONLY →

MODEL #252
SERIES 5547
AS SHOWN
B/S 2-3/8"

Cover Plate Tabs
 YES NO

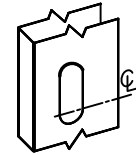


OUTSIDE TRIM

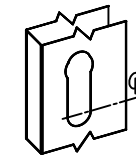


556NL

Temp. W40021
 Temp. W20041



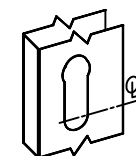
371-L
Control



376L
Lever

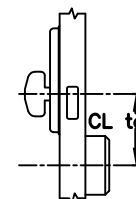
Use VD 12" Plate

Cover Plate Tabs
 YES NO



376T
Thumbturn

Access Hole
Use VD Scalp Plate



Cover Plate Tabs
 YES NO

Complete dimension above for both
376L or 376T

NON-LISTED TRIM

Template must accompany Order

10/28/14

ALL METAL STAMPING, INC., ABBOTSFORD, WI. 54405

715-223-6324

FAX: 715-223-3352

AMS USE ONLY

5" CHANNEL - VON DUPRIN CVR's

CUSTOMER: _____ DOOR #: _____

P.O.: _____ DATE: _____

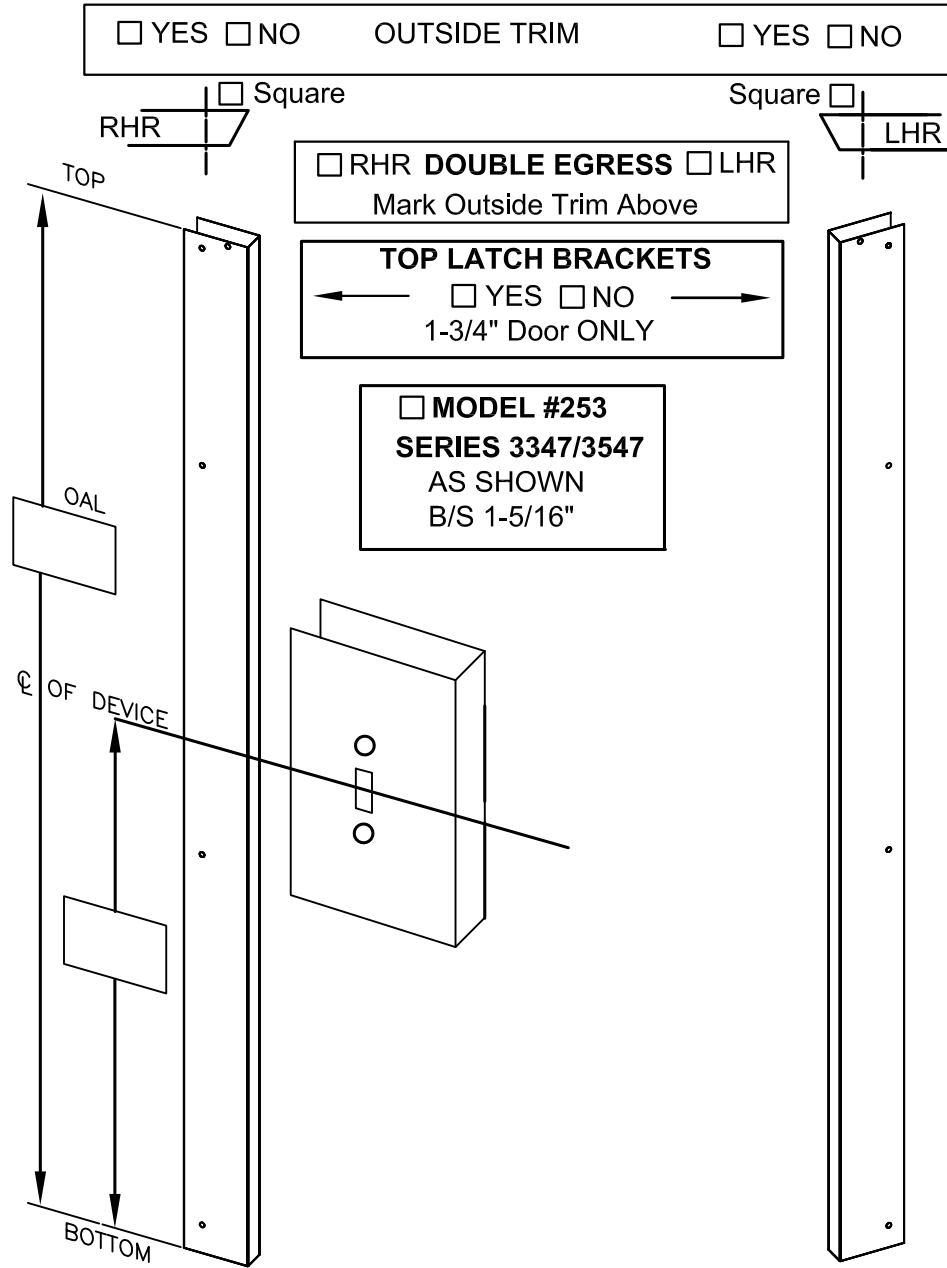
M.O.: _____

ACCESSORY ITEM #: _____

DOOR ITEM: _____ DRAWN BY: _____ DATE: _____

NO. of SETS REQ.: _____ DATE REQ.: _____

- Std. Beige Special Color: _____ No Paint
 1-3/4" Door 1-13/16" Door 2-1/4" Door Veneer: _____
 Other _____ 20 GA. Galv. (Std.) Other _____



OUTSIDE TRIM

337NL

372T/372L

376T
 Thumbturn
 Access Hole
 YES
 Use VD Scalp Plate

Cover Plate Tabs
 NO

Complete dimension above

NON-LISTED TRIM
 Template must accompany Order

10/28/14

ALL METAL STAMPING, INC., ABBOTSFORD, WI. 54405

715-223-6324

FAX: 715-223-3352

AMS USE ONLY

5" CHANNEL - DORMA/American CVR's



CUSTOMER: _____ DOOR #: _____

P.O.: _____ DATE: _____

M.O.: _____

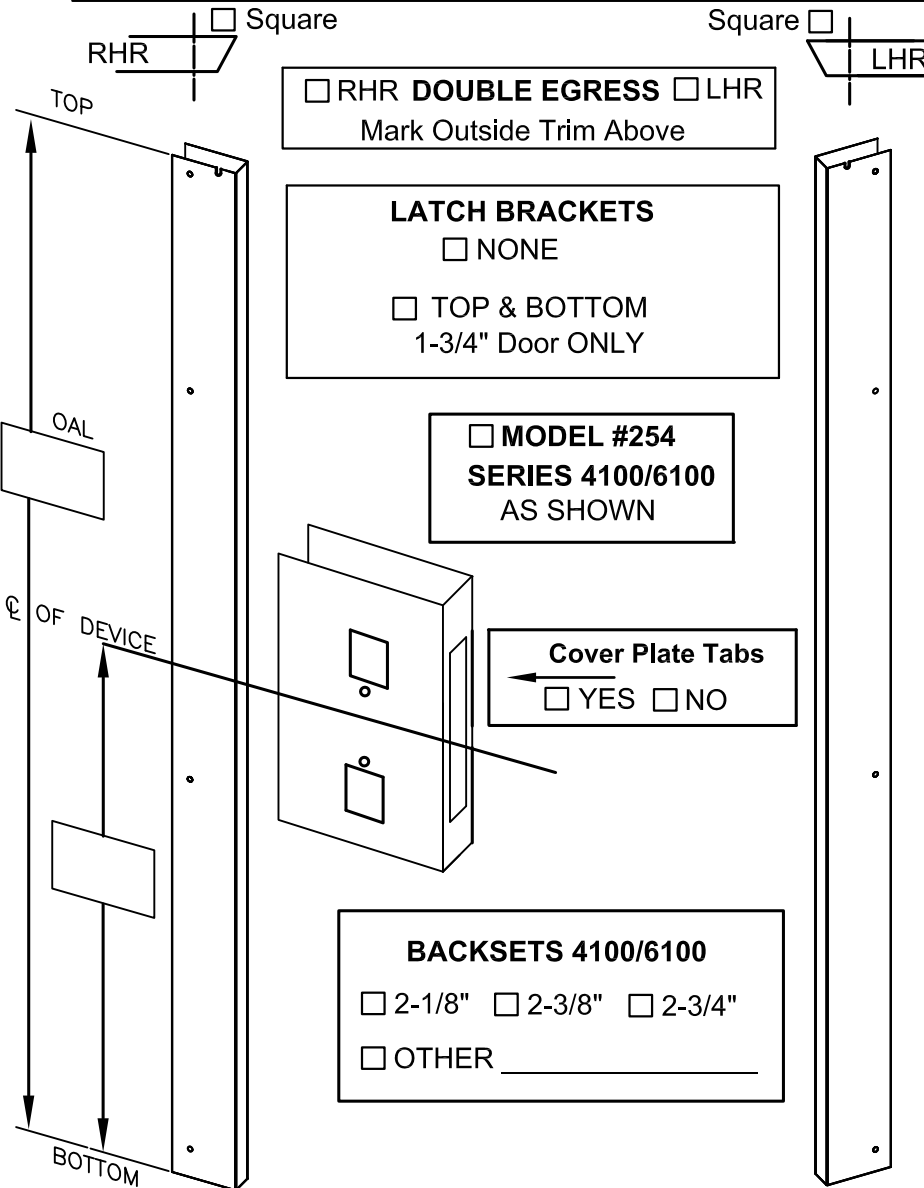
ACCESSORY ITEM #: _____

DOOR ITEM: _____ DRAWN BY: _____ DATE: _____

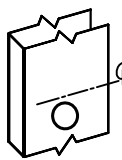
NO. of SETS REQ.: _____ DATE REQ.: _____

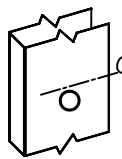
- Std. Beige Special Color: _____ No Paint
- 1-3/4" Door 1-13/16" Door 2-1/4" Door Veneer: _____
- Other _____ 20 GA. Galv. (Std.) Other _____

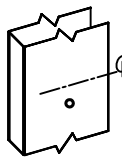
YES NO OUTSIDE TRIM YES NO

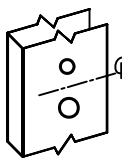


OUTSIDE TRIM

 T-1507WD

 T-1509WD

 T-1506WD



T-1505WD, T-1508WD
T-1511WD, T-1512WD

NON-LISTED TRIM
Template must accompany Order

10/28/14

ALL METAL STAMPING, INC., ABBOTSFORD, WI. 54405

715-223-6324

FAX: 715-223-3352

AMS USE ONLY

5" CHANNEL - SARGENT CVR's



CUSTOMER: _____ DOOR #: _____

P.O.: _____ DATE: _____

M.O.: _____

ACCESSORY ITEM #: _____

DOOR ITEM: _____ DRAWN BY: _____ DATE: _____

NO. of SETS REQ.: _____ DATE REQ.: _____

Std. Beige Special Color: _____ No Paint

1-3/4" Door 1-13/16" Door 2-1/4" Door Veneer: _____

Other _____ 20 GA. Galv. (Std.) Other _____

YES NO OUTSIDE TRIM YES NO

Square

Square

RHR

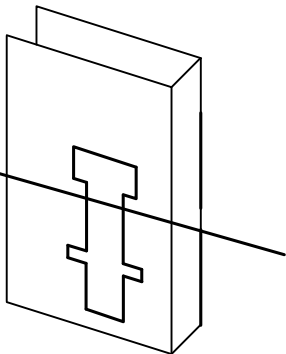
LHR

RHR **DOUBLE EGRESS** LHR
Mark Outside Trim Above

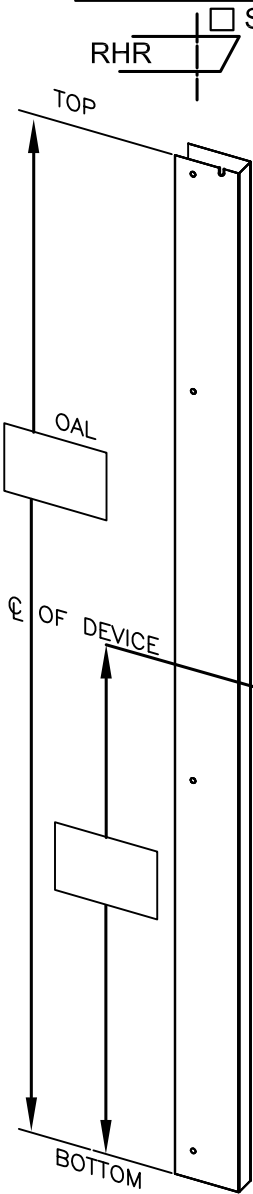
LATCH BRACKETS

NONE

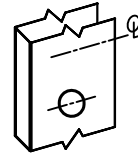
TOP ONLY
 TOP & BOTTOM
1-3/4" Door ONLY



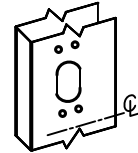
MODEL #255
SERIES 8600
AS SHOWN
B/S 2-3/4"



OUTSIDE TRIM



700-4 ET Control



106 & 113

NON-LISTED TRIM

Template must accompany Order

2/14/14

ALL METAL STAMPING, INC., ABBOTSFORD, WI. 54405

715-223-6324

FAX: 715-223-3352

AMS USE ONLY

5" CHANNEL - ADAMS RITE CVR's

CUSTOMER: _____ DOOR #: _____

P.O.: _____ DATE: _____

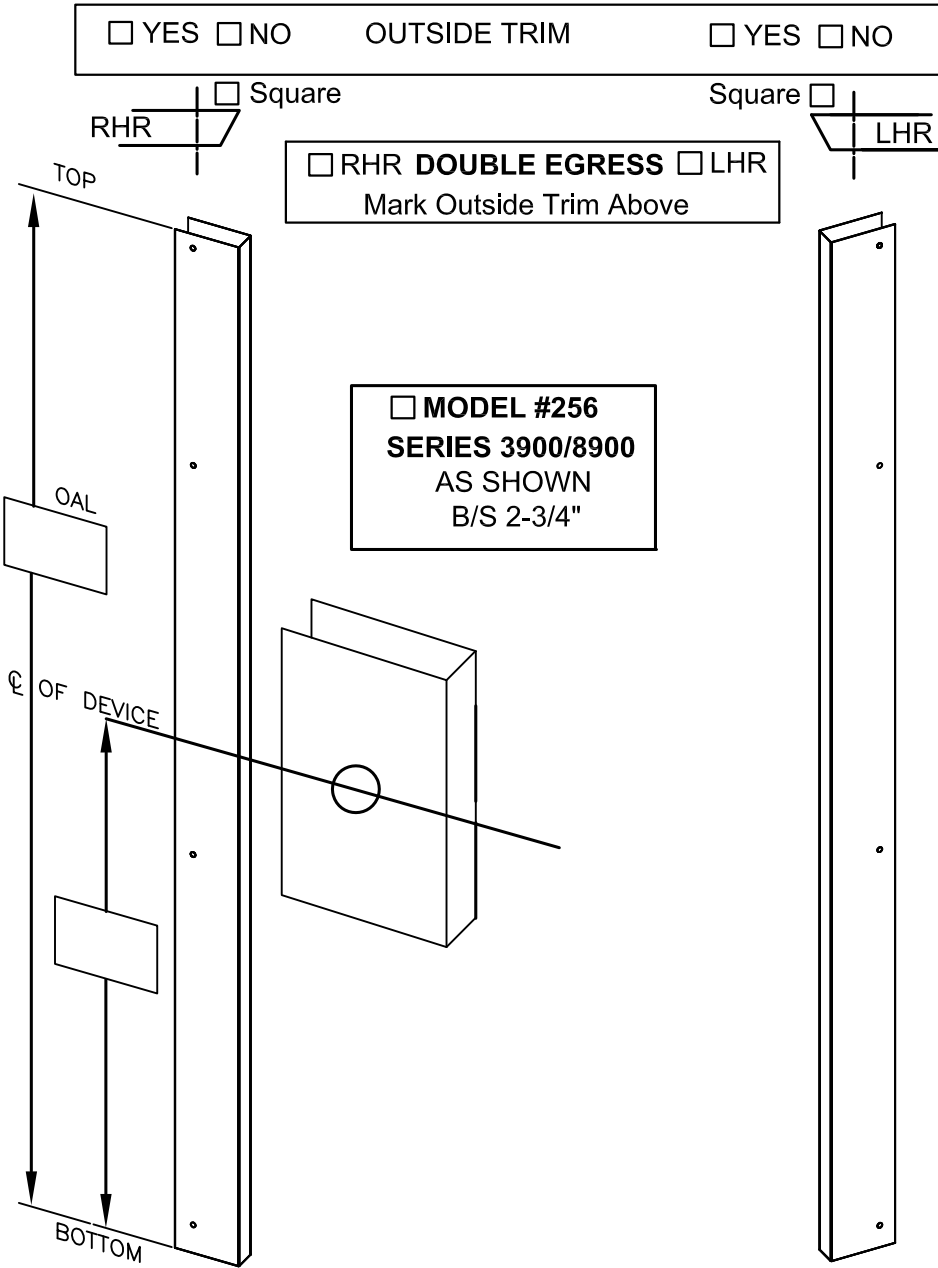
M.O.: _____

ACCESSORY ITEM #: _____

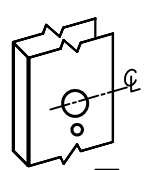
DOOR ITEM: _____ DRAWN BY: _____ DATE: _____

NO. of SETS REQ.: _____ DATE REQ.: _____

- Std. Beige Special Color: _____ No Paint
 1-3/4" Door 1-13/16" Door 2-1/4" Door Veneer: _____
 Other _____ 20 GA. Galv. (Std.) Other _____



OUTSIDE TRIM



3081/3082/3083

NON-LISTED TRIM
 Template must accompany Order

1/11/18

ALL METAL STAMPING, INC., ABBOTSFORD, WI. 54405

715-223-6324

FAX: 715-223-3352

5" CHANNEL - YALE/CORBIN RUSSWIN CVR's

AMS USE ONLY

CUSTOMER: _____ DOOR #: _____

P.O.: _____ DATE: _____

M.O.: _____

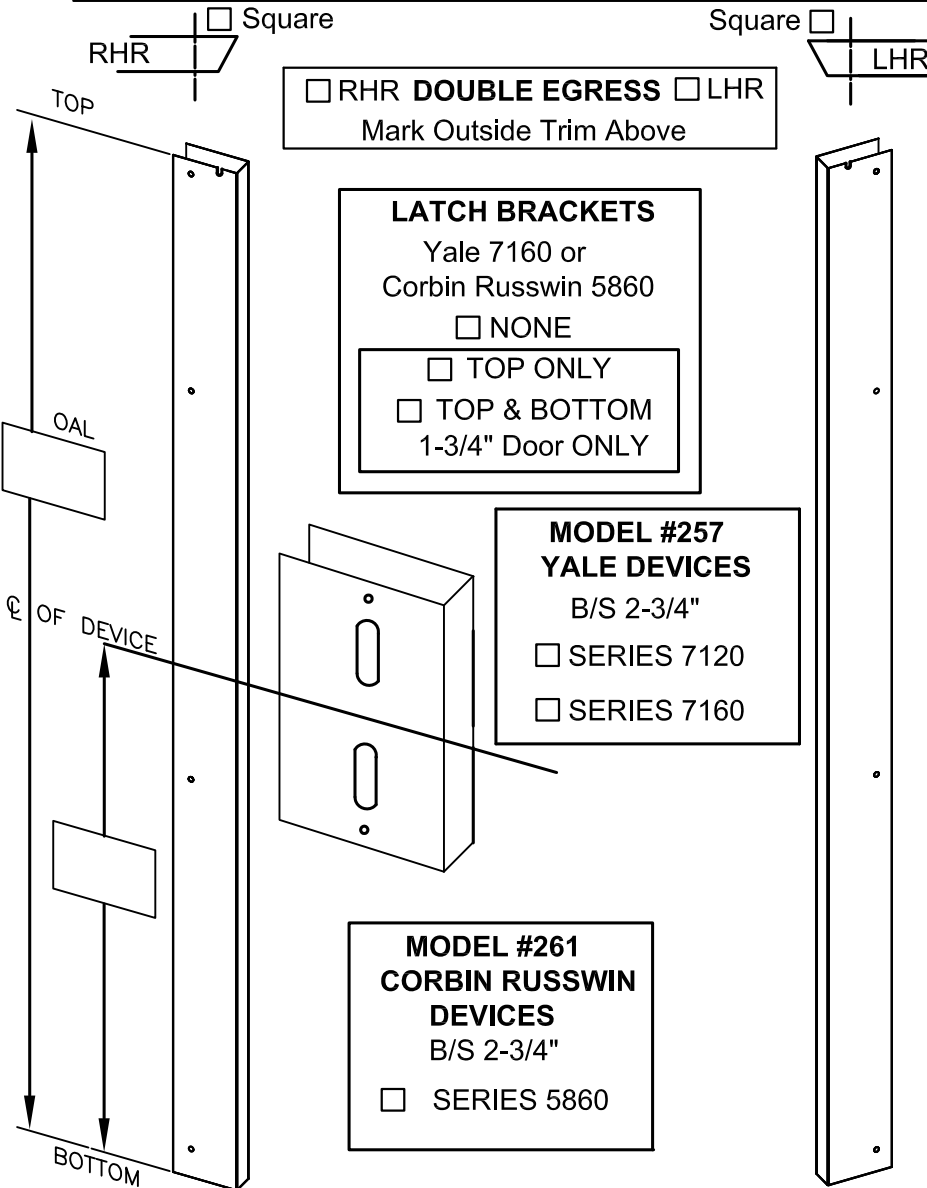
ACCESSORY ITEM #: _____

DOOR ITEM: _____ DRAWN BY: _____ DATE: _____

NO. of SETS REQ.: _____ DATE REQ.: _____

- Std. Beige Special Color: _____ No Paint
 1-3/4" Door 1-13/16" Door 2-1/4" Door Veneer: _____
 Other _____ 20 GA. Galv. (Std.) Other _____

YES NO **OUTSIDE TRIM** YES NO



OUTSIDE TRIM		
	YALE	CORBIN RUSSWIN
	<input type="checkbox"/> 521F/621F	<input type="checkbox"/> F257/F957/P957
	<input type="checkbox"/> 522F/526F <input type="checkbox"/> 603F/622F/626F	<input type="checkbox"/> 755/759/955/959
	<input type="checkbox"/> 524F/528F <input type="checkbox"/> 624F/628F	<input type="checkbox"/> 710/910
	<input type="checkbox"/> 525F/529F <input type="checkbox"/> 625F/629F	<input type="checkbox"/> 750/950
	<input type="checkbox"/> 533F <input type="checkbox"/> 633F	<input type="checkbox"/> T1355
	<input type="checkbox"/> 535F <input type="checkbox"/> 635F	<input type="checkbox"/> T1310
<input type="checkbox"/> NON-LISTED TRIM Template must accompany Order		

10/28/14

ALL METAL STAMPING, INC., ABBOTSFORD, WI. 54405

715-223-6324

FAX: 715-223-3352

AMS USE ONLY

5" CHANNEL - MONARCH/FALCON CVR's

CUSTOMER: _____ DOOR #: _____

P.O.: _____ DATE: _____

M.O.: _____

ACCESSORY ITEM #: _____

DOOR ITEM: _____ DRAWN BY: _____ DATE: _____

NO. of SETS REQ.: _____ DATE REQ.: _____

Std. Beige Special Color: _____ No Paint

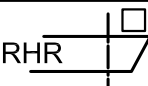
1-3/4" Door 1-13/16" Door 2-1/4" Door Veneer: _____

Other _____ 20 GA. Galv. (Std.) Other _____

YES NO **OUTSIDE TRIM**

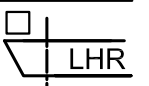
YES NO

Square



RHR

Square



LHR

RHR **DOUBLE EGRESS** LHR

Mark Outside Trim Above

If NO Bracket Selection is made. We will assume NONE is selected.

Top/Bottom Brackets or Bracket Holes

NONE

TOP ONLY

TOP & BOTTOM
1-3/4" Door ONLY

BRACKET HOLES

5/16 from Top

3/4 from Top

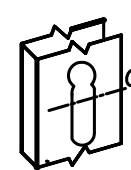
Please Check One

Series CVR (F)17/24-C
Template W-1151-a or W-1352-a

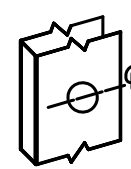
Series CVR (F)18/25/XX-C
Template W-1150-a or W-1250-a or W-1450-a

MODEL #258 SERIES
(F)17/24/18/25/XX-C
AS SHOWN
B/S 2-13/16"

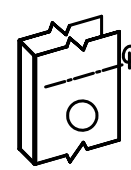
OUTSIDE TRIM



L-Control
W-2133-a
W-2356-a
W-2456-a



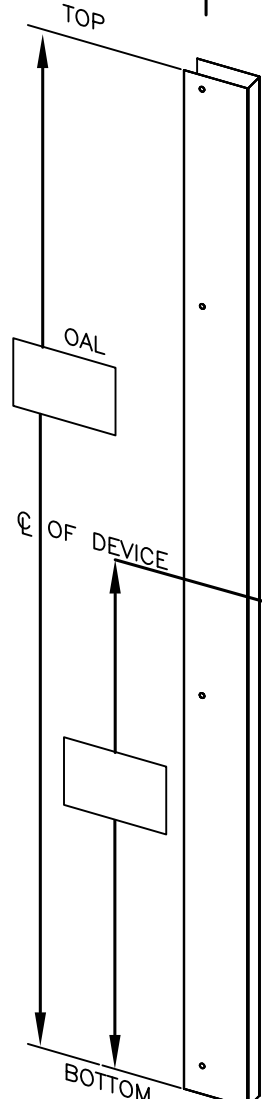
Delta Trim
W-2144-a
W-2355-a
W-2455-a



25 Series Trim
W-2201-a
W-2202-a
W-2203-a

NON-LISTED TRIM

Template must accompany Order



2/14/14

ALL METAL STAMPING, INC., ABBOTSFORD, WI. 54405

715-223-6324

FAX: 715-223-3352

AMS USE ONLY

5" CHANNEL - ARROW CVR's

CUSTOMER: _____ DOOR #: _____

P.O.: _____ DATE: _____

M.O.: _____

ACCESSORY ITEM #: _____

DOOR ITEM: _____ DRAWN BY: _____ DATE: _____

NO. of SETS REQ.: _____ DATE REQ.: _____

Std. Beige Special Color: _____ No Paint

1-3/4" Door 1-13/16" Door 2-1/4" Door Veneer: _____

Other _____ 20 GA. Galv. (Std.) Other _____

YES NO OUTSIDE TRIM YES NO

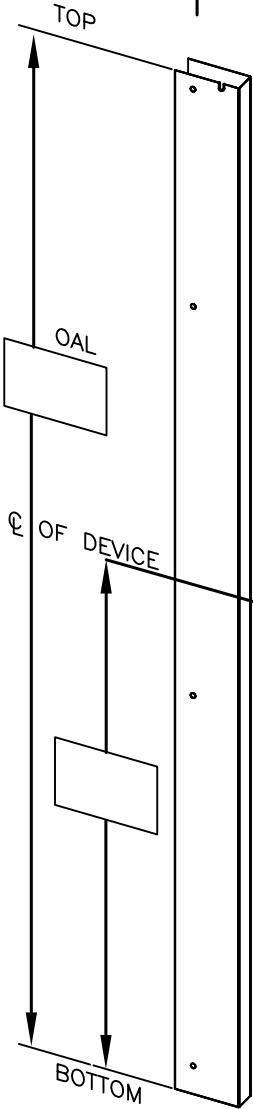
Square

Square

RHR

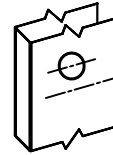
LHR

RHR **DOUBLE EGRESS** LHR
Mark Outside Trim Above

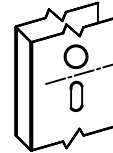


MODEL #260
SERIES F-3600
AS SHOWN
B/S 2-3/4"

OUTSIDE TRIM



411 & 412
Auxiliary Control



SL08
SL Auxiliary Control

NON-LISTED TRIM
Template must accompany Order

10/28/14

ALL METAL STAMPING, INC., ABBOTSFORD, WI. 54405

715-223-6324

FAX: 715-223-3352

AMS USE ONLY

5" CHANNEL - PRECISION CVR's

CUSTOMER: _____ DOOR #: _____

P.O.: _____ DATE: _____

M.O.: _____

ACCESSORY ITEM #: _____

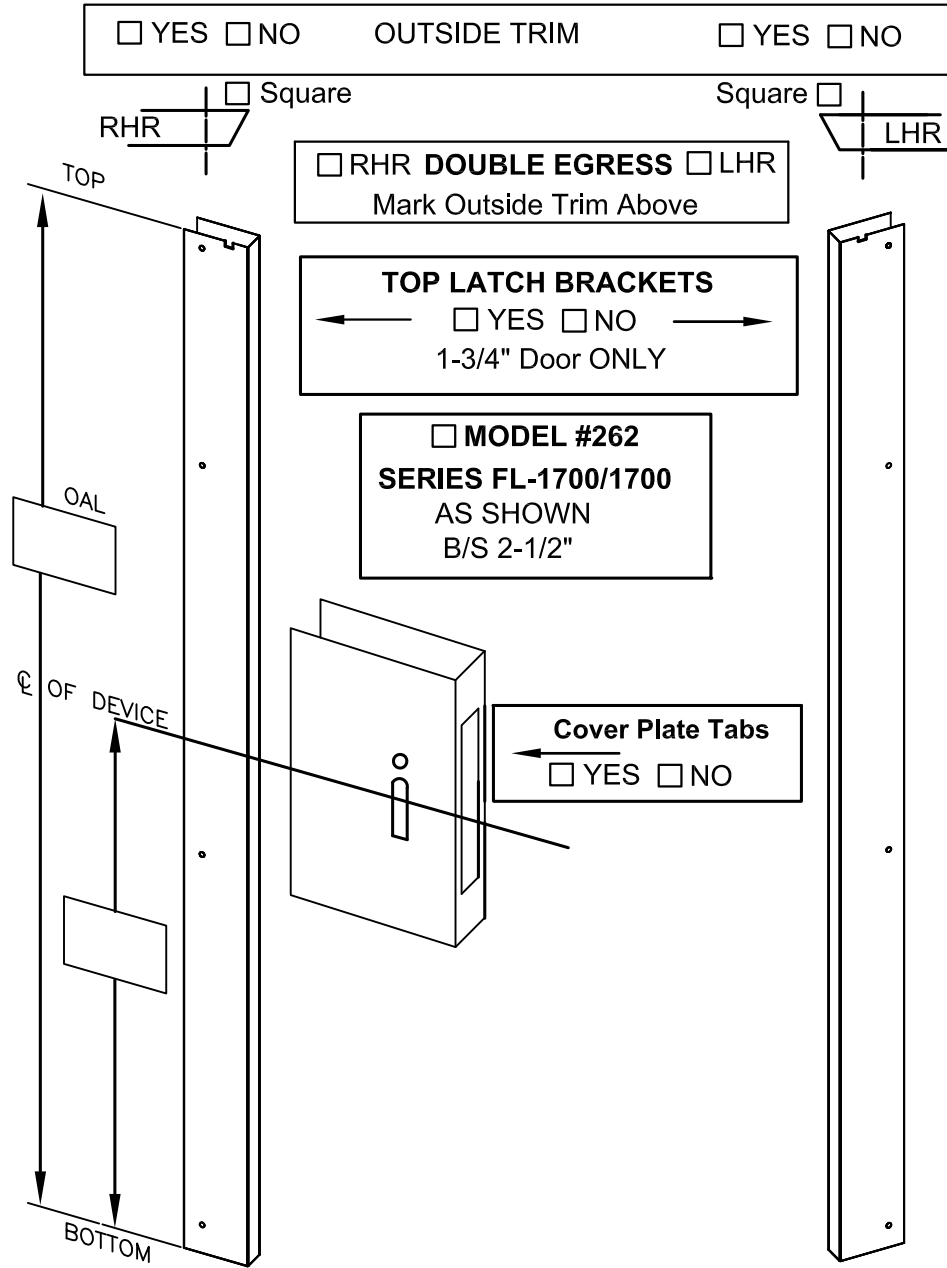
DOOR ITEM: _____ DRAWN BY: _____ DATE: _____

NO. of SETS REQ.: _____ DATE REQ.: _____

Std. Beige Special Color: _____ No Paint

1-3/4" Door 1-13/16" Door 2-1/4" Door Veneer: _____

Other _____ 20 GA. Galv. (Std.) Other _____



OUTSIDE TRIM

17 & 17C

39, 39L, V39L

NON-LISTED TRIM
 Template must accompany Order

10/28/14

ALL METAL STAMPING, INC., ABBOTSFORD, WI. 54405

715-223-6324

FAX: 715-223-3352

AMS USE ONLY

5" CHANNEL - SARGENT CVR's - LHR Lock Side

CUSTOMER: _____ DOOR #: _____

P.O.: _____ DATE: _____

M.O.: _____

ACCESSORY ITEM #: _____

DOOR ITEM: _____ DRAWN BY: _____ DATE: _____

NO. of SETS REQ.: _____ DATE REQ.: _____

Std. Beige Special Color: _____ No Paint

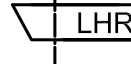
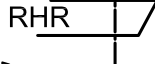
1-3/4" Door 1-13/16" Door 2-1/4" Door Veneer: _____

Other _____ 20 GA. Galv. (Std.) Other _____

YES NO OUTSIDE TRIM YES NO

Square

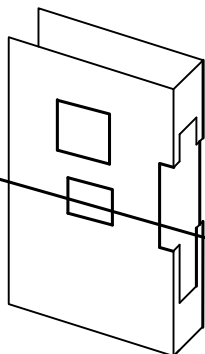
Square



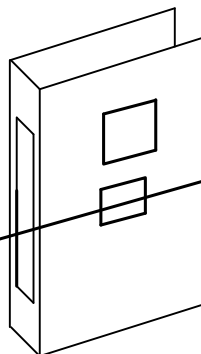
RHR **DOUBLE EGRESS** LHR
Mark Outside Trim Above

TOP LATCH BRACKETS
← YES NO →
1-3/4" Door ONLY

Cover Plate Tabs
#12-24 Tapped 7-1/4" O.C.
 YES NO



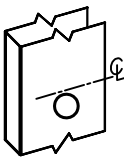
Strike Side
PR8600



Lock Side
PP8600

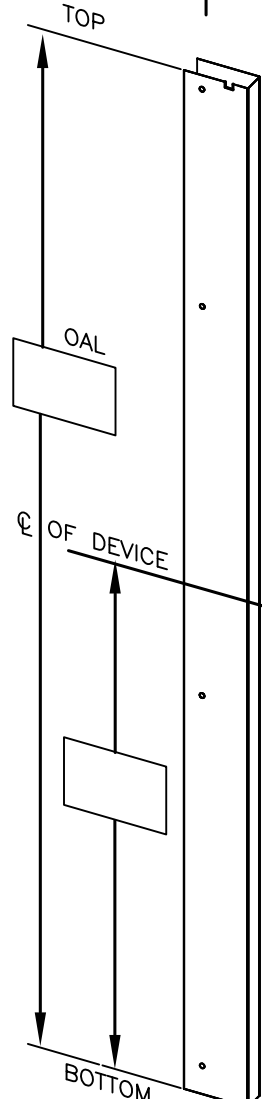
MODEL #263 LHR
SERIES #PP & PR8600
AS SHOWN
B/S 2-3/4"

OUTSIDE TRIM



700-6
ET CONTROL

NON-LISTED TRIM
Template must accompany Order



10/28/14

ALL METAL STAMPING, INC., ABBOTSFORD, WI. 54405

715-223-6324

FAX: 715-223-3352

AMS USE ONLY

5" CHANNEL - SARGENT CVR's - RHR Lock Side

CUSTOMER: _____ DOOR #: _____

P.O.: _____ DATE: _____

M.O.: _____

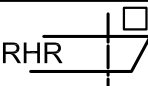
ACCESSORY ITEM #: _____

DOOR ITEM: _____ DRAWN BY: _____ DATE: _____

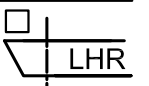
NO. of SETS REQ.: _____ DATE REQ.: _____

- Std. Beige Special Color: _____ No Paint
 1-3/4" Door 1-13/16" Door 2-1/4" Door Veneer: _____
 Other _____ 20 GA. Galv. (Std.) Other _____

YES NO **OUTSIDE TRIM** YES NO

Square


RHR

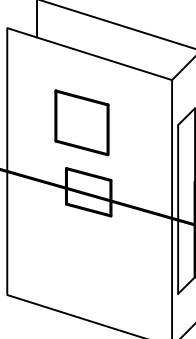
Square


LHR

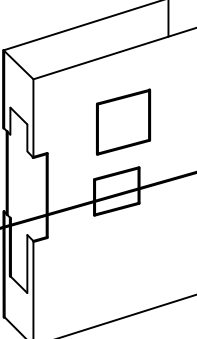
RHR **DOUBLE EGRESS** LHR
 Mark Outside Trim Above

TOP LATCH BRACKETS
 YES NO
 1-3/4" Door ONLY

Cover Plate Tabs
 #12-24 Tapped 7-1/4" O.C.
 YES NO



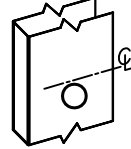
**Lock Side
PP860**



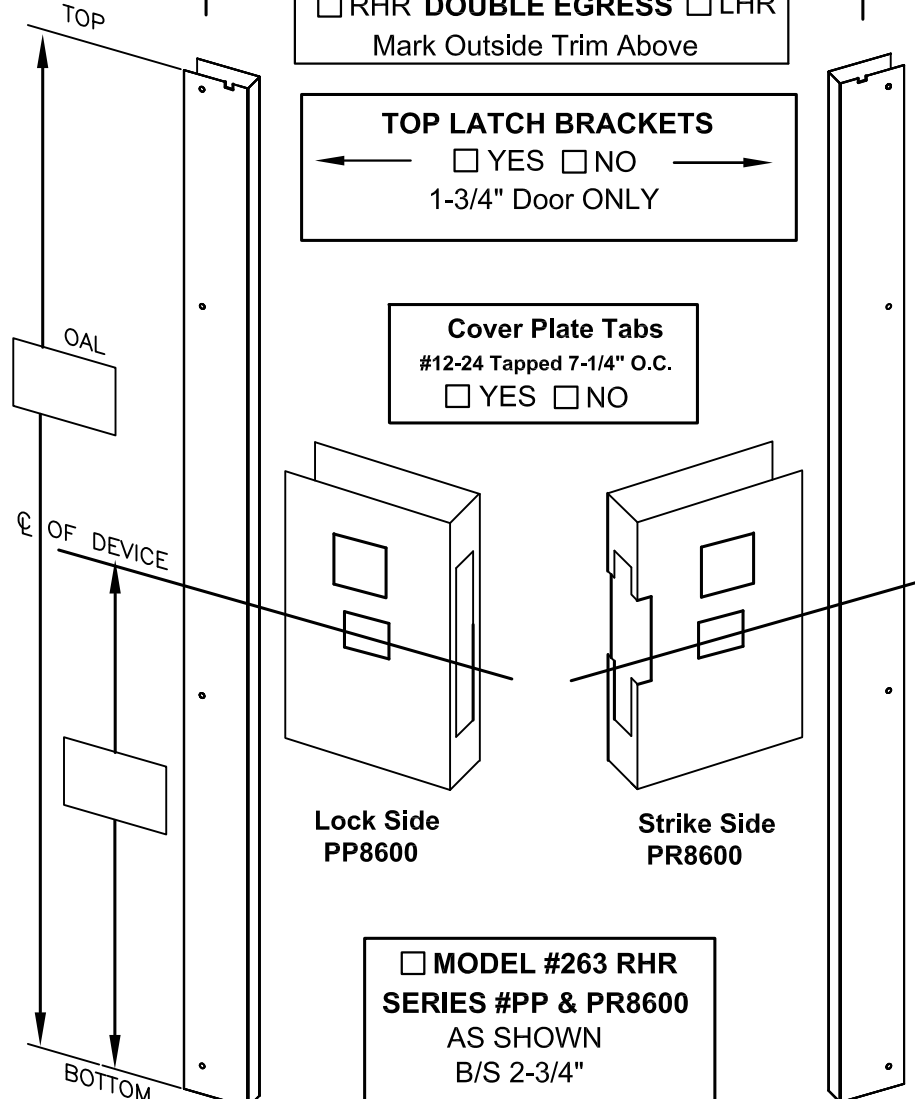
**Strike Side
PR860**

MODEL #263 RHR
SERIES #PP & PR860
 AS SHOWN
 B/S 2-3/4"

OUTSIDE TRIM


 700-6
 ET CONTROL

NON-LISTED TRIM
 Template must accompany Order



10/28/14

ALL METAL STAMPING, INC., ABBOTSFORD, WI. 54405

715-223-6324

FAX: 715-223-3352

AMS USE ONLY

5" CHANNEL - DORMA CVR's

CUSTOMER: _____ DOOR #: _____

P.O.: _____ DATE: _____

M.O.: _____

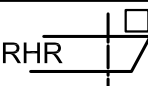
ACCESSORY ITEM #: _____

DOOR ITEM: _____ DRAWN BY: _____ DATE: _____

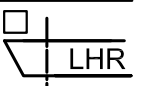
NO. of SETS REQ.: _____ DATE REQ.: _____

- Std. Beige Special Color: _____ No Paint
 1-3/4" Door 1-13/16" Door 2-1/4" Door Veneer: _____
 Other _____ 20 GA. Galv. (Std.) Other _____

YES NO **OUTSIDE TRIM** YES NO

Square


RHR

Square


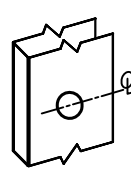
LHR

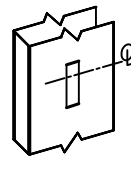
RHR **DOUBLE EGRESS** LHR
 Mark Outside Trim Above

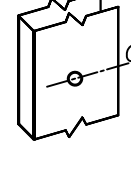
LATCH BRACKETS
 NONE
 TOP ONLY
 TOP & BOTTOM
 1-3/4" Door ONLY

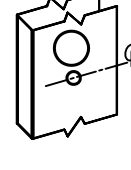
MODEL #264
SERIES 9100
 AS SHOWN
 B/S 2-3/4"

OUTSIDE TRIM

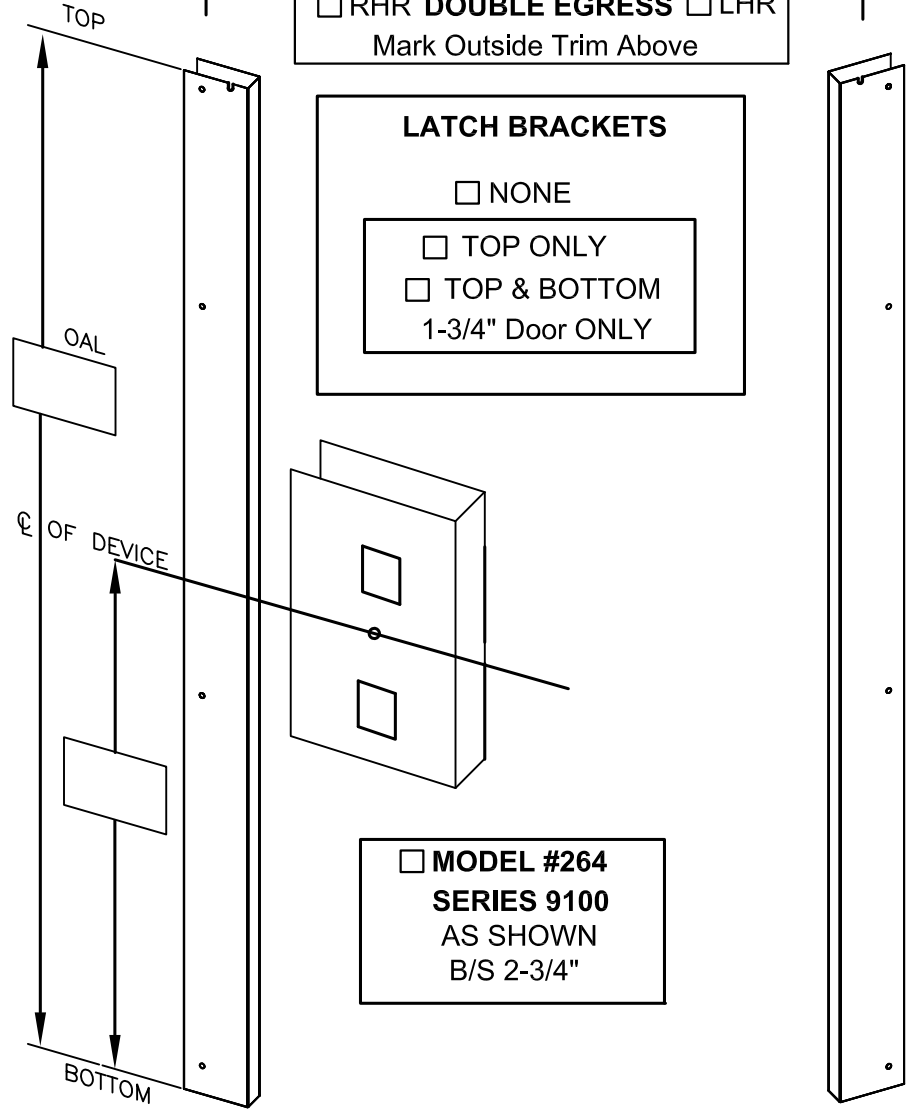

 T-9122WD


 T-9123WD


 T-9124WD


 T-9125WD

NON-LISTED TRIM
 Template must accompany Order



1/21/15

ALL METAL STAMPING, INC., ABBOTSFORD, WI. 54405

715-223-6324

FAX: 715-223-3352

AMS USE ONLY

5" CHANNEL - DORMA CVR's

CUSTOMER: _____ DOOR #: _____

P.O.: _____ DATE: _____

M.O.: _____

ACCESSORY ITEM #: _____

DOOR ITEM: _____ DRAWN BY: _____ DATE: _____

NO. of SETS REQ.: _____ DATE REQ.: _____

Std. Beige Special Color: _____ No Paint

1-3/4" Door 1-13/16" Door 2-1/4" Door Veneer: _____

Other _____ 20 GA. Galv. (Std.) Other _____

YES NO OUTSIDE TRIM YES NO

Square

Square

RHR

LHR

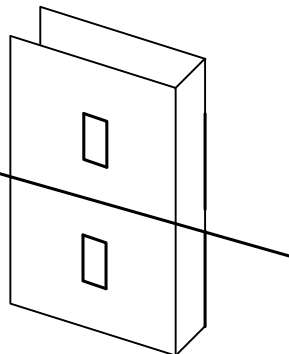
RHR **DOUBLE EGRESS** LHR
Mark Outside Trim Above

LATCH BRACKETS

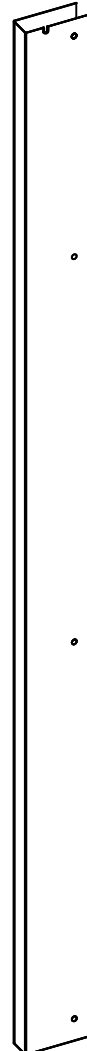
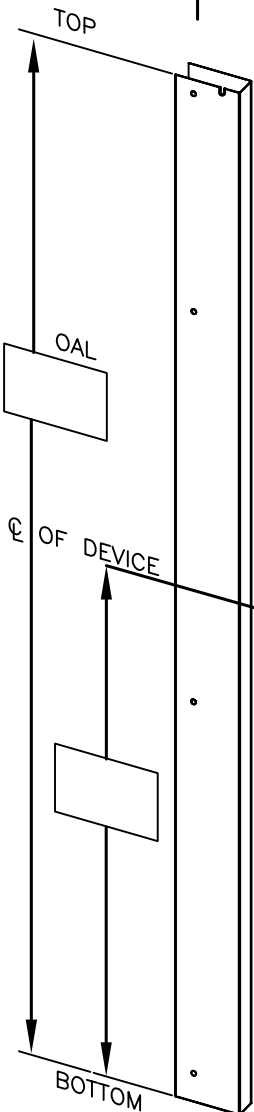
NONE

TOP ONLY

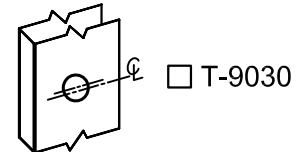
TOP & BOTTOM
1-3/4" Door ONLY



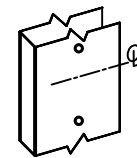
MODEL #264A
SERIES 9600
AS SHOWN
B/S 2-3/4"



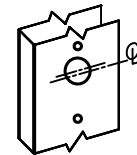
OUTSIDE TRIM



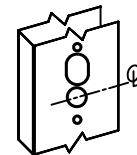
T-9030



T-9031



T-9032



T-9034

NON-LISTED TRIM

Template must accompany Order

10/28/14

ALL METAL STAMPING, INC., ABBOTSFORD, WI. 54405

715-223-6324

FAX: 715-223-3352

AMS USE ONLY

5" CHANNEL - PRECISION CVR's

CUSTOMER: _____ DOOR #: _____

P.O.: _____ DATE: _____

M.O.: _____

ACCESSORY ITEM #: _____

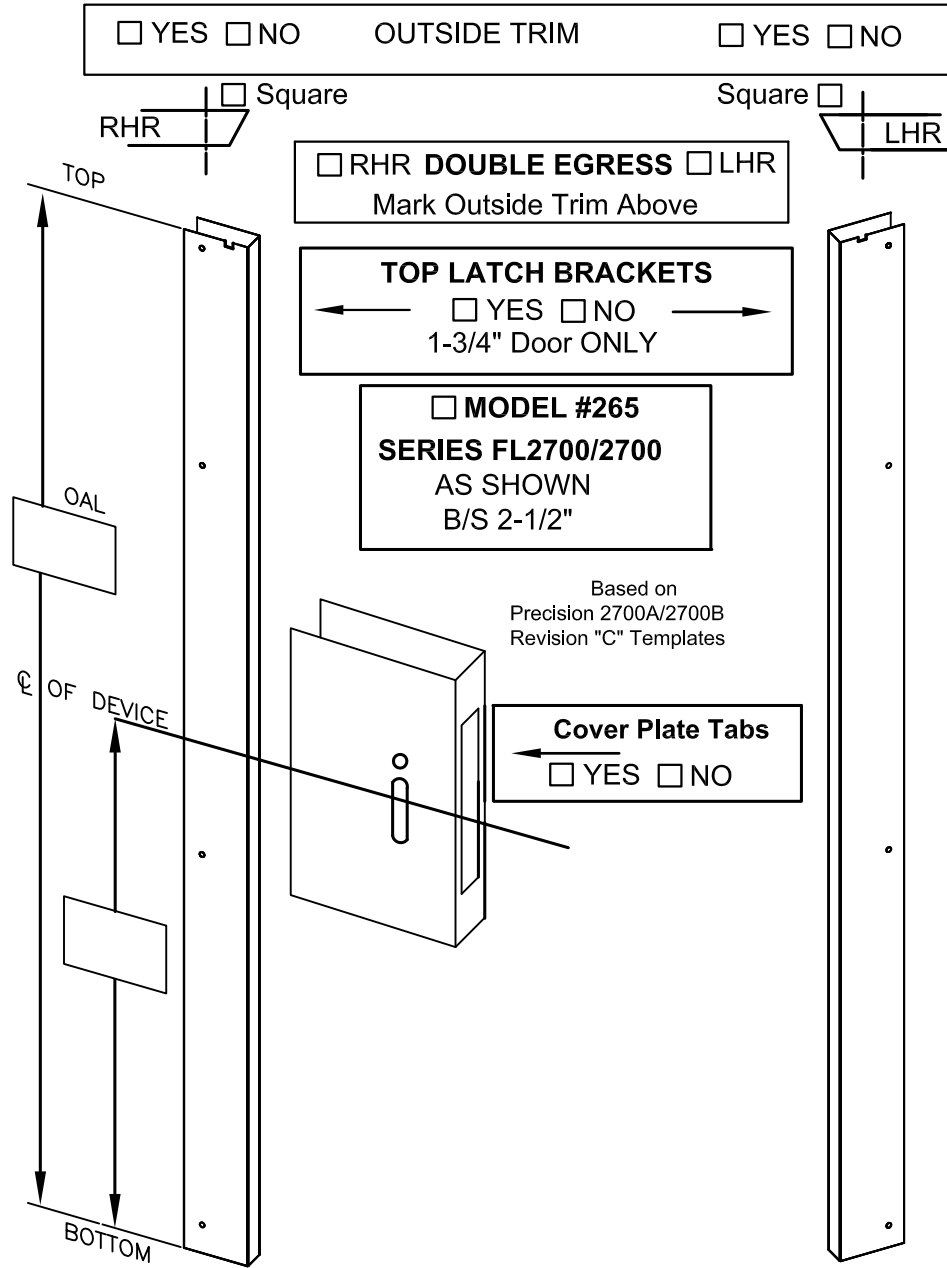
DOOR ITEM: _____ DRAWN BY: _____ DATE: _____

NO. of SETS REQ.: _____ DATE REQ.: _____

Std. Beige Special Color: _____ No Paint

1-3/4" Door 1-13/16" Door 2-1/4" Door Veneer: _____

Other _____ 20 GA. Galv. (Std.) Other _____



OUTSIDE TRIM

2001, 2002

1701, 4901
 1702, 4902
 (Not Shown)

1703, 4903

1705, 4908
 V4908

2005
 (Not Shown)

1715, 4914
 2015
 (Not Shown)

NON-LISTED TRIM
 Template must accompany Order

10/28/14

ALL METAL STAMPING, INC., ABBOTSFORD, WI. 54405

715-223-6324

FAX: 715-223-3352

AMS USE ONLY

5" CHANNEL - DORMA CVR's

CUSTOMER: _____ DOOR #: _____

P.O.: _____ DATE: _____

M.O.: _____

ACCESSORY ITEM #: _____

DOOR ITEM: _____ DRAWN BY: _____ DATE: _____

NO. of SETS REQ.: _____ DATE REQ.: _____

- Std. Beige Special Color: _____ No Paint
 1-3/4" Door 1-13/16" Door 2-1/4" Door Veneer: _____
 Other _____ 20 GA. Galv. (Std.) Other _____

YES NO **OUTSIDE TRIM**

YES NO

Square **RHR**

Square **LHR**

RHR DOUBLE EGRESS **LHR**
Mark Outside Trim Above

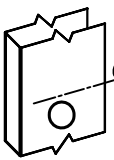
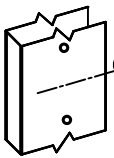
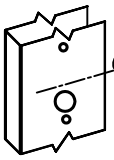
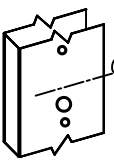
LATCH BRACKETS
 NONE
 TOP & BOTTOM
1-3/4" Door ONLY

MODEL #266
SERIES 5100
AS SHOWN

Cover Plate Tabs
 YES NO

BACKSETS 5100
 2-1/8" 2-3/8" 2-3/4"
 OTHER _____

OUTSIDE TRIM

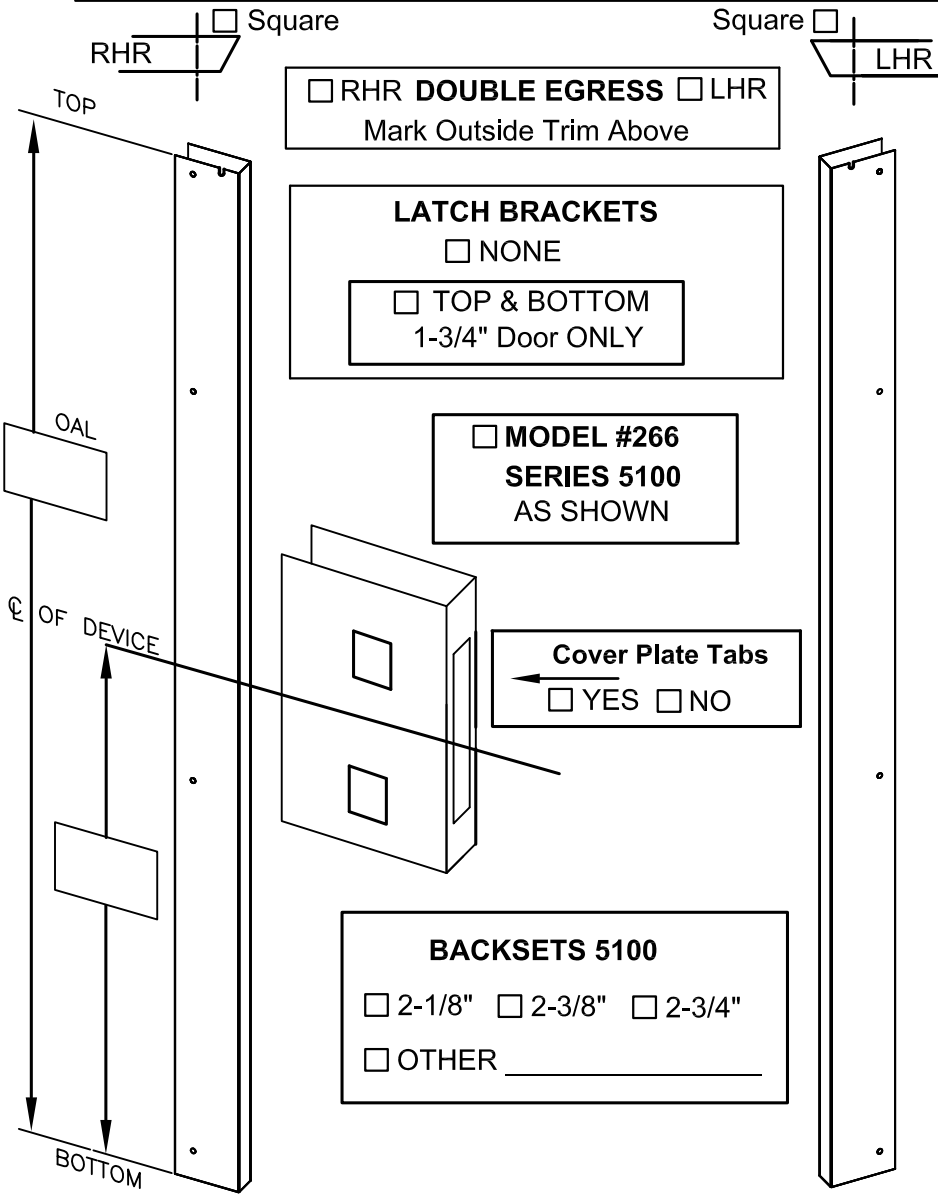
T-2016

T-2020

T-2022

T-2023

NON-LISTED TRIM
Template must accompany Order



10/28/14

ALL METAL STAMPING, INC., ABBOTSFORD, WI. 54405

715-223-6324

FAX: 715-223-3352

AMS USE ONLY

5" CHANNEL - VON DUPRIN CVR's

CUSTOMER: _____ DOOR #: _____

P.O.: _____ DATE: _____

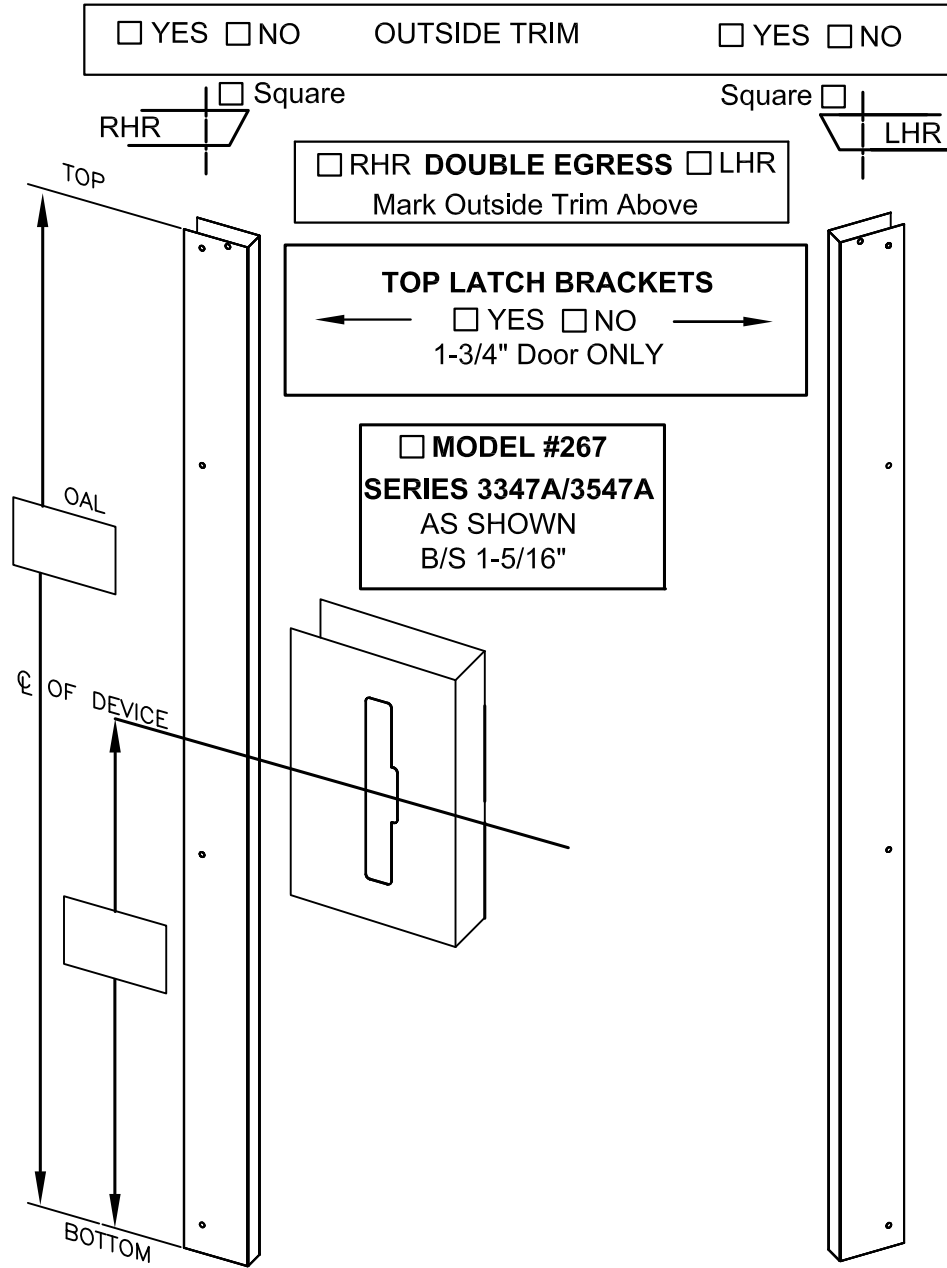
M.O.: _____

ACCESSORY ITEM #: _____

DOOR ITEM: _____ DRAWN BY: _____ DATE: _____

NO. of SETS REQ.: _____ DATE REQ.: _____

- Std. Beige Special Color: _____ No Paint
 1-3/4" Door 1-13/16" Door 2-1/4" Door Veneer: _____
 Other _____ 20 GA. Galv. (Std.) Other _____



OUTSIDE TRIM

360

376T
 Thumbturn
 Access Hole
 YES

Use VD Scalp Plate

 Cover Plate Tabs
 NO

Complete dimension above

386NL

388NL

NON-LISTED TRIM
 Template must accompany Order

1/21/15

ALL METAL STAMPING, INC., ABBOTSFORD, WI. 54405

715-223-6324

FAX: 715-223-3352

AMS USE ONLY

5" CHANNEL - VON DUPRIN CVC's



CUSTOMER: _____ DOOR #: _____

P.O.: _____ DATE: _____

M.O.: _____

ACCESSORY ITEM #: _____

DOOR ITEM: _____ DRAWN BY: _____ DATE: _____

NO. of SETS REQ.: _____ DATE REQ.: _____

Std. Beige Special Color: _____ No Paint

1-3/4" Door 1-13/16" Door 2-1/4" Door Veneer: _____

Other _____ 20 GA. Galv. (Std.) Other _____

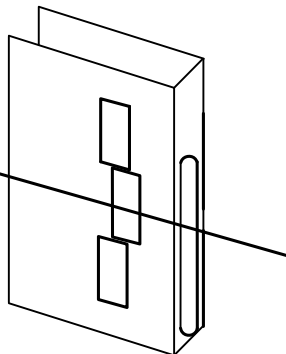
YES NO OUTSIDE TRIM YES NO

Square
RHR

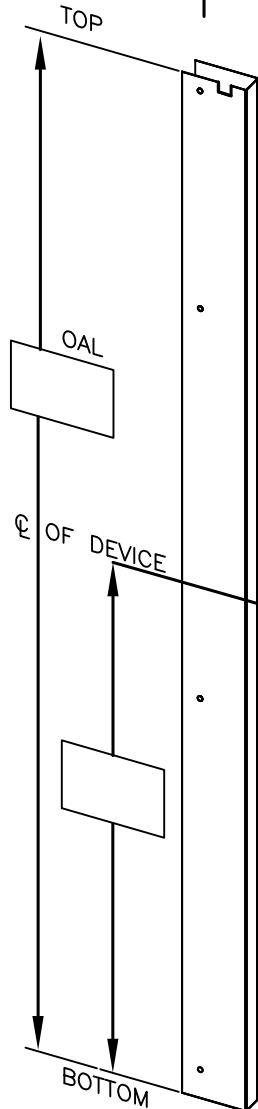
Square
LHR

RHR **DOUBLE EGRESS** LHR
Mark Outside Trim Above

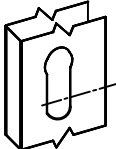
LATCH BRACKETS
 NONE
 TOP ONLY
 TOP & BOTTOM
1-3/4" Door ONLY

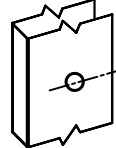


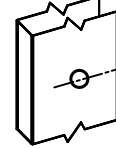
MODEL #267A
SERIES 3350A/3550A
AS SHOWN
B/S 1-1/2"

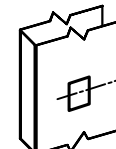


OUTSIDE TRIM

 360T/L

 360T-BE

 386NL

 388NL

NON-LISTED TRIM
Template must accompany Order

1/15/20

ALL METAL STAMPING, INC., ABBOTSFORD, WI. 54405

715-223-6324

FAX: 715-223-3352

AMS USE ONLY

5" CHANNEL - ASSA ABLOY CRL LHR/RHR

Concealed Rod Lock

CUSTOMER: _____ DOOR #: _____

P.O.: _____ DATE: _____

M.O.: _____

ACCESSORY ITEM #: _____

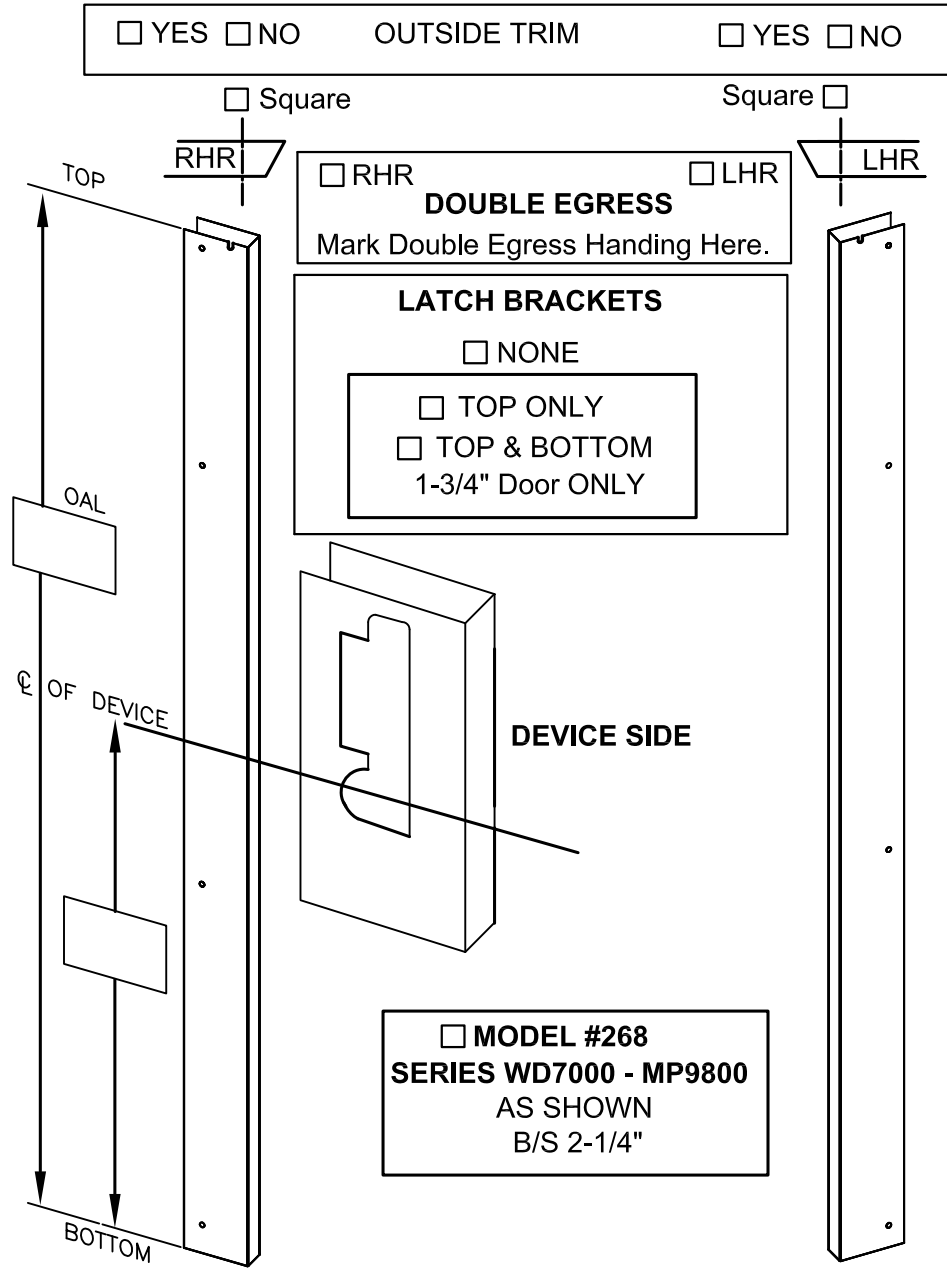
DOOR ITEM: _____ DRAWN BY: _____ DATE: _____

NO. of SETS REQ.: _____ DATE REQ.: _____

Std. Beige Special Color: _____ No Paint

1-3/4" Door 1-13/16" Door 2-1/4" Door Veneer: _____

Other _____ 20 GA. Galv. (Std.) Other _____



OUTSIDE TRIM

ET Control

ET Control
w/ Electric Latch Retraction
Sargent Template No. 4624F

AUX Control

NON-LISTED TRIM
Template must accompany Order

1/15/20

ALL METAL STAMPING, INC., ABBOTSFORD, WI. 54405

715-223-6324

FAX: 715-223-3352

AMS USE ONLY

5" CHANNEL - ASSA ABLOY CRL LH/RH

Concealed Rod Lock



CUSTOMER: _____ DOOR #: _____

P.O.: _____ DATE: _____

M.O.: _____

ACCESSORY ITEM #: _____

DOOR ITEM: _____ DRAWN BY: _____ DATE: _____

NO. of SETS REQ.: _____ DATE REQ.: _____

Std. Beige Special Color: _____ No Paint

1-3/4" Door 1-13/16" Door 2-1/4" Door Veneer: _____

Other _____ 20 GA. Galv. (Std.) Other _____

<input type="checkbox"/> YES <input type="checkbox"/> NO OUTSIDE TRIM	<input type="checkbox"/> YES <input type="checkbox"/> NO
<input type="checkbox"/> Square	<input type="checkbox"/> Square
<input type="checkbox"/> LH	<input type="checkbox"/> RH

DOUBLE EGRESS
Mark Double Egress Handing Here.

LH RH

LATCH BRACKETS

NONE

TOP ONLY
 TOP & BOTTOM
 1-3/4" Door ONLY

ET Control shown

MODEL #268
SERIES WD7000 - MP9800
 AS SHOWN
 B/S 2-1/4"

OUTSIDE TRIM

ET Control

ET Control
 w/ Electric Latch Retraction
 Sargent Template No. 4624F

AUX Control

NON-LISTED TRIM
 Template must accompany Order

6/18/15

ALL METAL STAMPING, INC., ABBOTSFORD, WI. 54405

715-223-6324

FAX: 715-223-3352

AMS USE ONLY

5" CHANNEL - MONARCH/FALCON CENTERSLIDE CVR's

CUSTOMER: _____ DOOR #: _____

P.O.: _____ DATE: _____

M.O.: _____

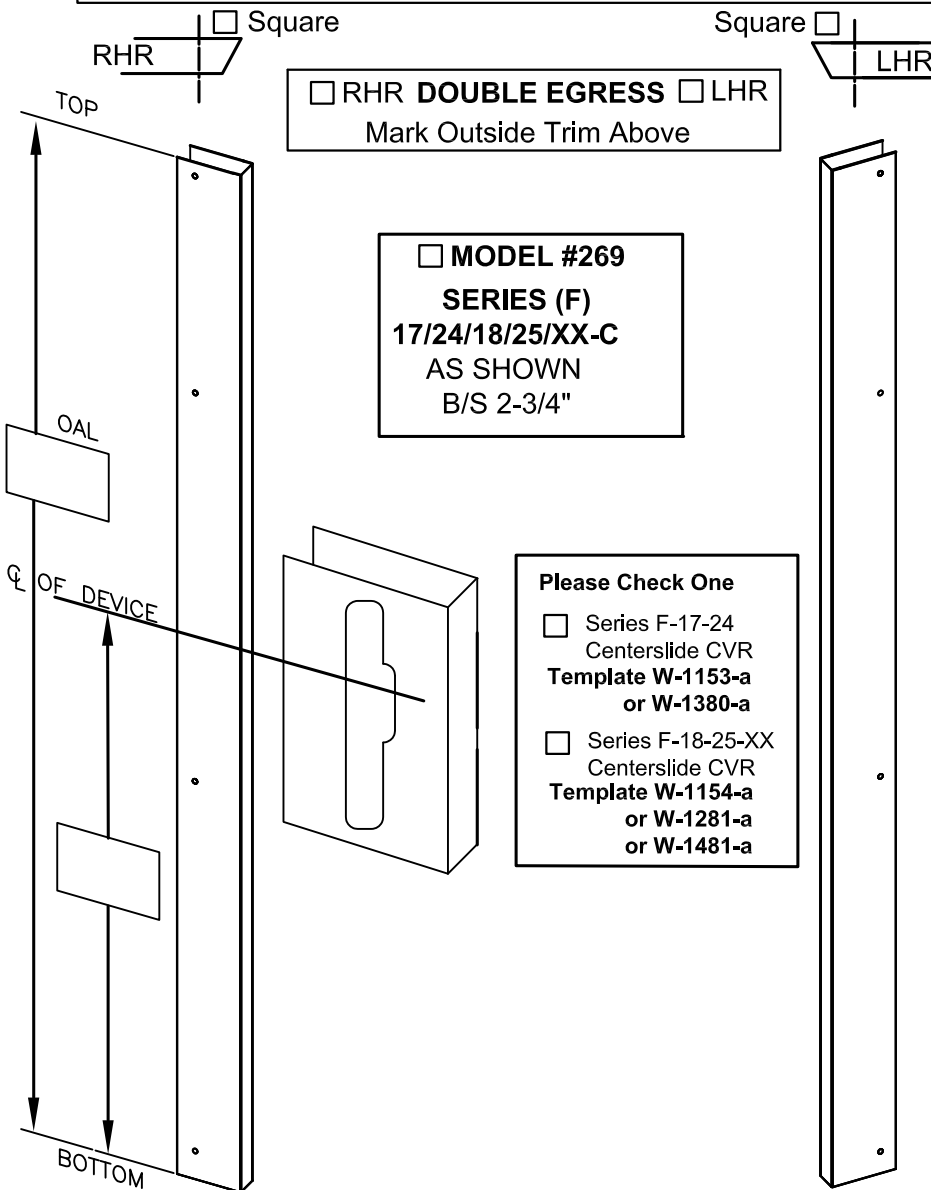
ACCESSORY ITEM #: _____

DOOR ITEM: _____ DRAWN BY: _____ DATE: _____

NO. of SETS REQ.: _____ DATE REQ.: _____

- Std. Beige Special Color: _____ No Paint
 1-3/4" Door 1-13/16" Door 2-1/4" Door Veneer: _____
 Other _____ 20 GA. Galv. (Std.) Other _____

YES NO **OUTSIDE TRIM** YES NO



RHR **DOUBLE EGRESS** LHR
 Mark Outside Trim Above

MODEL #269
SERIES (F)
17/24/18/25/XX-C
 AS SHOWN
 B/S 2-3/4"

Please Check One
 Series F-17-24
 Centerslide CVR
Template W-1153-a
 or **W-1380-a**
 Series F-18-25-XX
 Centerslide CVR
Template W-1154-a
 or **W-1281-a**
 or **W-1481-a**

OUTSIDE TRIM

L-Control
 W-2133-a
 W-2356-a
 W-2456-a

Delta Trim
 W-2144-a
 W-2355-a
 W-2455-a

25 Series Trim
 W-2201-a
 W-2202-a
 W-2203-a

NON-LISTED TRIM
Template must accompany Order

10/28/14

ALL METAL STAMPING, INC., ABBOTSFORD, WI. 54405

715-223-6324

FAX: 715-223-3352

AMS USE ONLY

5" CHANNEL - STANLEY CVR'S

formally Black & Decker



CUSTOMER: _____ DOOR #: _____

P.O.: _____ DATE: _____

M.O.: _____

ACCESSORY ITEM #: _____

DOOR ITEM: _____ DRAWN BY: _____ DATE: _____

NO. of SETS REQ.: _____ DATE REQ.: _____

Std. Beige Special Color: _____ No Paint

1-3/4" Door 1-13/16" Door 2-1/4" Door Veneer: _____

Other _____ 20 GA. Galv. (Std.) Other _____

YES NO OUTSIDE TRIM YES NO

Square

Square

RHR

LHR

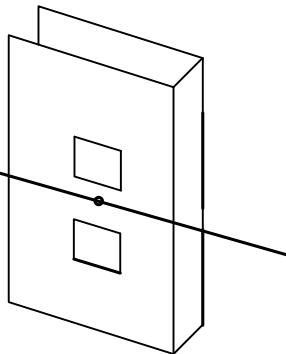
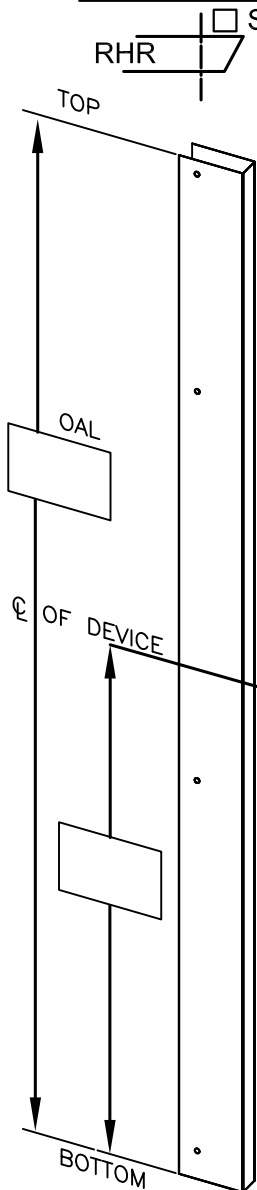
RHR **DOUBLE EGRESS** LHR
Mark Outside Trim Above

LATCH BRACKETS

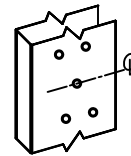
NONE

TOP ONLY
 TOP & BOTTOM
1-3/4" Door ONLY

MODEL #270
SERIES QED 100
AS SHOWN
B/S 2-1/2"



OUTSIDE TRIM



QET Lever
Trim

NON-LISTED TRIM
Template must accompany Order

10/28/14

ALL METAL STAMPING, INC., ABBOTSFORD, WI. 54405

715-223-6324

FAX: 715-223-3352

AMS USE ONLY

5" CHANNEL - HAGER CVR's

CUSTOMER: _____ DOOR #: _____

P.O.: _____ DATE: _____

M.O.: _____

ACCESSORY ITEM #: _____

DOOR ITEM: _____ DRAWN BY: _____ DATE: _____

NO. of SETS REQ.: _____ DATE REQ.: _____

- Std. Beige Special Color: _____ No Paint
 1-3/4" Door 1-13/16" Door 2-1/4" Door Veneer: _____
 Other _____ 20 GA. Galv. (Std.) Other _____

YES NO **OUTSIDE TRIM** YES NO

Square

RHR

Square

LHR

RHR **DOUBLE EGRESS** LHR
 Mark Outside Trim Above

LATCH BRACKETS
 NONE
 TOP ONLY
 TOP & BOTTOM
 1-3/4" Door ONLY

MODEL #271
SERIES 4500
 AS SHOWN
 B/S 2-7/16"

OUTSIDE TRIM

45 CE & BE

45 DT

NON-LISTED TRIM
 Template must accompany Order

10/28/14

ALL METAL STAMPING, INC., ABBOTSFORD, WI. 54405

715-223-6324

FAX: 715-223-3352

AMS USE ONLY

5" CHANNEL - DETEX CVR's

CUSTOMER: _____ DOOR #: _____

P.O.: _____ DATE: _____

M.O.: _____

ACCESSORY ITEM #: _____

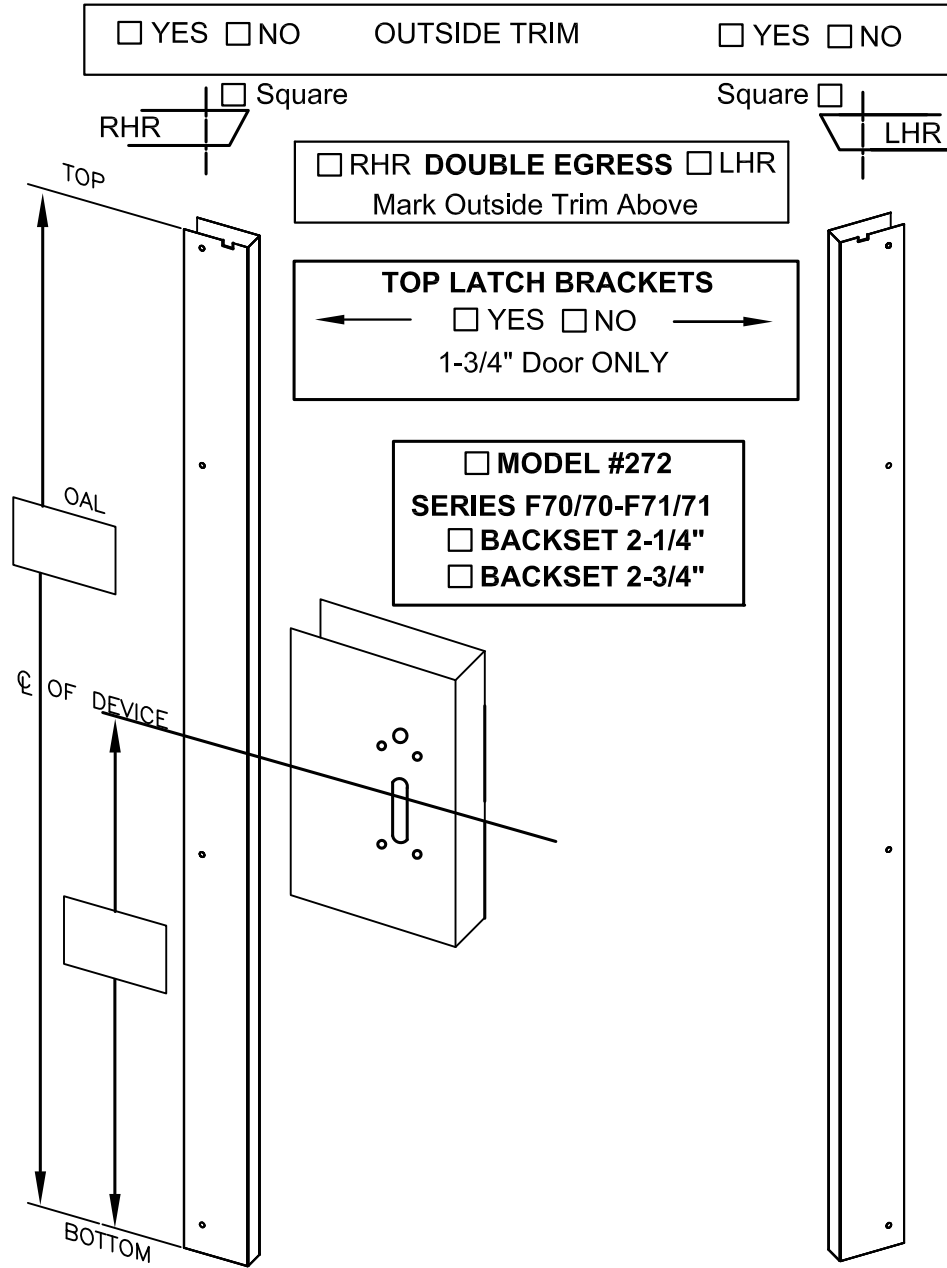
DOOR ITEM: _____ DRAWN BY: _____ DATE: _____

NO. of SETS REQ.: _____ DATE REQ.: _____

Std. Beige Special Color: _____ No Paint

1-3/4" Door 1-13/16" Door 2-1/4" Door Veneer: _____

Other _____ 20 GA. Galv. (Std.) Other _____



OUTSIDE TRIM

T1112

T1113

T2336

T1152

T1039

T1167

NON-LISTED TRIM
 Template must accompany Order

10/28/14

ALL METAL STAMPING, INC., ABBOTSFORD, WI. 54405

715-223-6324

FAX: 715-223-3352

AMS USE ONLY

5" CHANNEL - CAL-ROYAL CVR's

CUSTOMER: _____ DOOR #: _____

P.O.: _____ DATE: _____

M.O.: _____

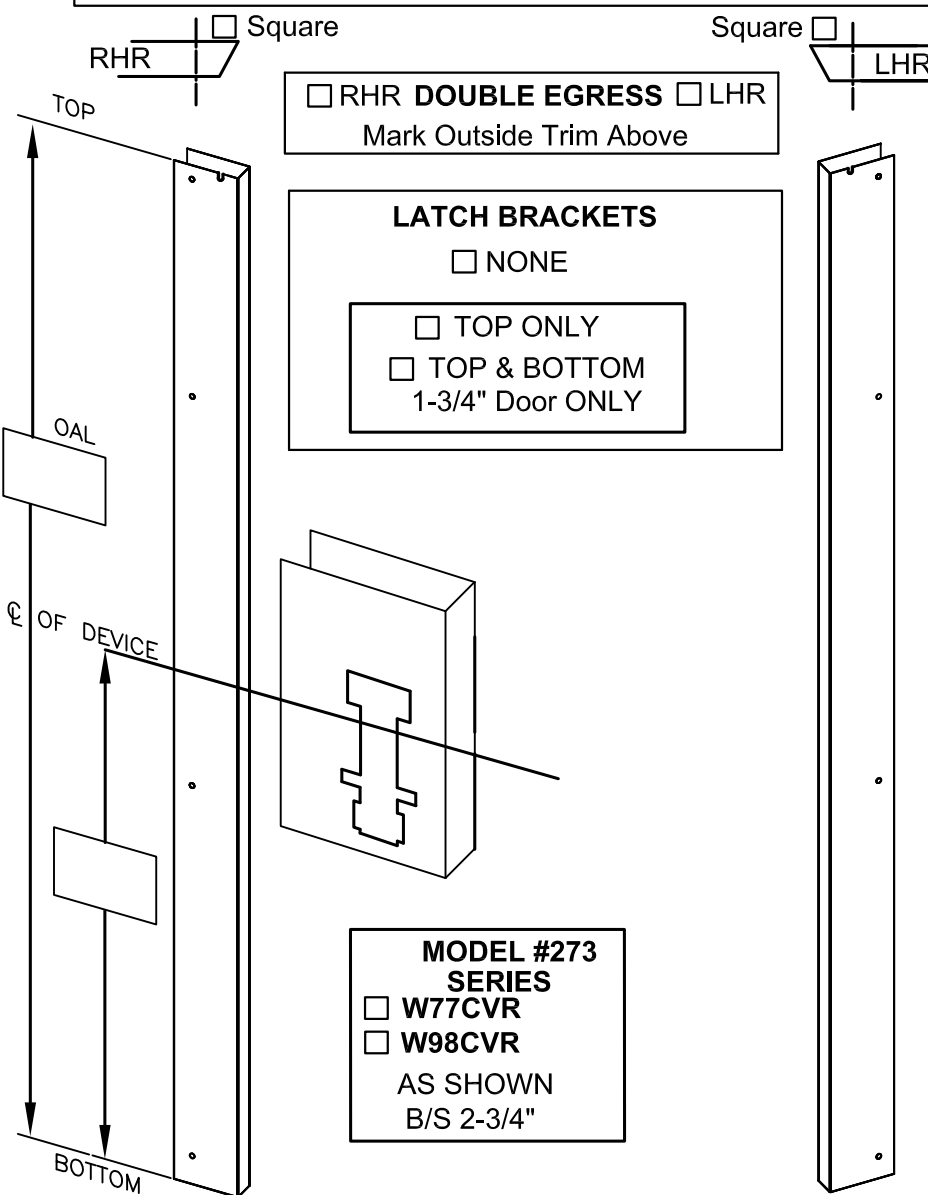
ACCESSORY ITEM #: _____

DOOR ITEM: _____ DRAWN BY: _____ DATE: _____

NO. of SETS REQ.: _____ DATE REQ.: _____

- Std. Beige Special Color: _____ No Paint
 1-3/4" Door 1-13/16" Door 2-1/4" Door Veneer: _____
 Other _____ 20 GA. Galv. (Std.) Other _____

YES NO **OUTSIDE TRIM** YES NO



OUTSIDE TRIM

Escutcheon
Lever Trim
CVRESC7700

Escutcheon
Lever Trim
CVRESC9800

NON-LISTED TRIM
 Template must accompany Order

10/28/14

ALL METAL STAMPING, INC., ABBOTSFORD, WI. 54405

715-223-6324

FAX: 715-223-3352

AMS USE ONLY

5" CHANNEL - LAWRENCE CVR'S

CUSTOMER: _____ DOOR #: _____

P.O.: _____ DATE: _____

M.O.: _____

ACCESSORY ITEM #: _____

DOOR ITEM: _____ DRAWN BY: _____ DATE: _____

NO. of SETS REQ.: _____ DATE REQ.: _____

- Std. Beige Special Color: _____ No Paint
 1-3/4" Door 1-13/16" Door 2-1/4" Door Veneer: _____
 Other _____ 20 GA. Galv. (Std.) Other _____

YES NO **OUTSIDE TRIM** YES NO

Square

RHR

Square

LHR

RHR **DOUBLE EGRESS** LHR

Mark Outside Trim Above

LATCH BRACKETS

NONE

TOP ONLY
 TOP & BOTTOM
 1-3/4" Door ONLY

MODEL #274

SERIES

LH8850/LH8650

AS SHOWN

B/S 2-7/16"

OUTSIDE TRIM

88/89L01
CE/BE/DE
Trim

88/89L01
NL Trim

NON-LISTED TRIM

Template must accompany Order

1/16/18

ALL METAL STAMPING, INC., ABBOTSFORD, WI. 54405

715-223-6324

FAX: 715-223-3352

AMS USE ONLY

5" CHANNEL - SCHLAGE CRL LHR/RHR

CUSTOMER: _____ DOOR #: _____

P.O.: _____ DATE: _____

M.O.: _____

ACCESSORY ITEM #: _____

DOOR ITEM: _____ DRAWN BY: _____ DATE: _____

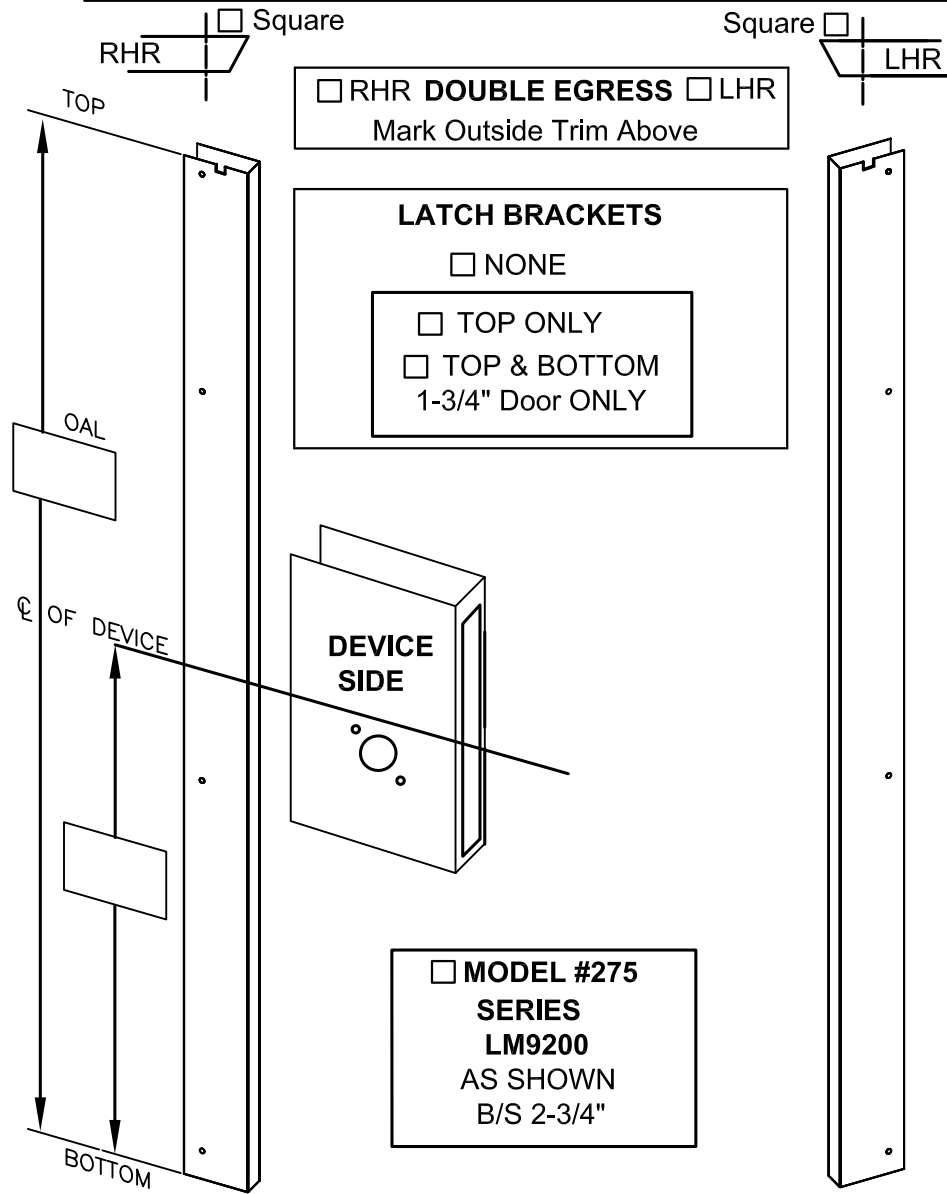
NO. of SETS REQ.: _____ DATE REQ.: _____

Std. Beige Special Color: _____ No Paint

1-3/4" Door 1-13/16" Door 2-1/4" Door Veneer: _____

Other _____ 20 GA. Galv. (Std.) Other _____

YES NO OUTSIDE TRIM YES NO



OUTSIDE TRIM

L928/L938
Trim

L927/L937
Trim

L931/L933
 L935/L941
 L939

L932
 L934/L940
 L936/L942

NON-LISTED TRIM
Template must accompany Order

1/16/18

ALL METAL STAMPING, INC., ABBOTSFORD, WI. 54405

715-223-6324

FAX: 715-223-3352

5" CHANNEL - SCHLAGE CRL LH/RH

AMS USE ONLY

CUSTOMER: _____ DOOR #: _____

P.O.: _____ DATE: _____

M.O.: _____

ACCESSORY ITEM #: _____

DOOR ITEM: _____ DRAWN BY: _____ DATE: _____

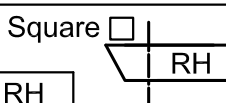
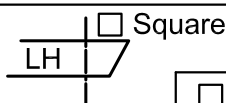
NO. of SETS REQ.: _____ DATE REQ.: _____

Std. Beige Special Color: _____ No Paint

1-3/4" Door 1-13/16" Door 2-1/4" Door
 Other _____

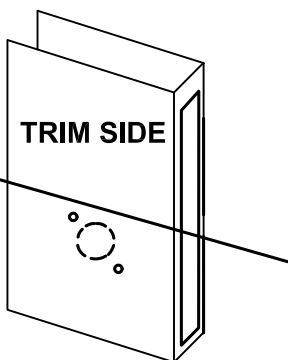
Veneer: _____
 20 GA. Galv. (Std.) Other _____

YES NO OUTSIDE TRIM YES NO

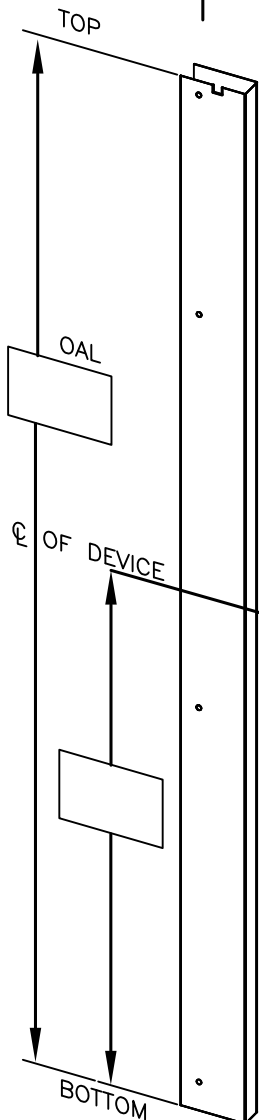


LH **DOUBLE EGRESS** RH
Mark Outside Trim Above

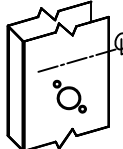
LATCH BRACKETS
 NONE
 TOP ONLY
 TOP & BOTTOM
1-3/4" Door ONLY

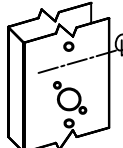


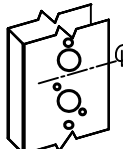
MODEL #275
SERIES
LM9200
AS SHOWN
B/S 2-3/4"

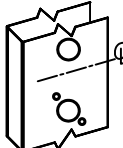


OUTSIDE TRIM

L928/L938 Trim 

L927/L937 Trim 

L931/L933
 L935/L941
 L939 

L932
 L934/L940
 L936/L942 

NON-LISTED TRIM
Template must accompany Order

5/12/16

ALL METAL STAMPING, INC., ABBOTSFORD, WI. 54405

715-223-6324

FAX: 715-223-3352

AMS USE ONLY

5" CHANNEL - PDQ CVR'S



CUSTOMER: _____ DOOR #: _____

P.O.: _____ DATE: _____

M.O.: _____

ACCESSORY ITEM #: _____

DOOR ITEM: _____ DRAWN BY: _____ DATE: _____

NO. of SETS REQ.: _____ DATE REQ.: _____

Std. Beige Special Color: _____ No Paint

1-3/4" Door 1-13/16" Door 2-1/4" Door Veneer: _____

Other _____ 20 GA. Galv. (Std.) Other _____

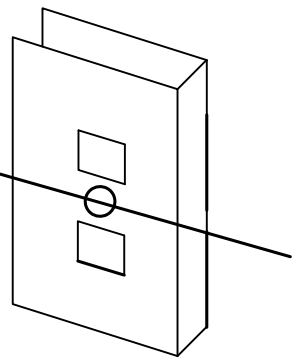
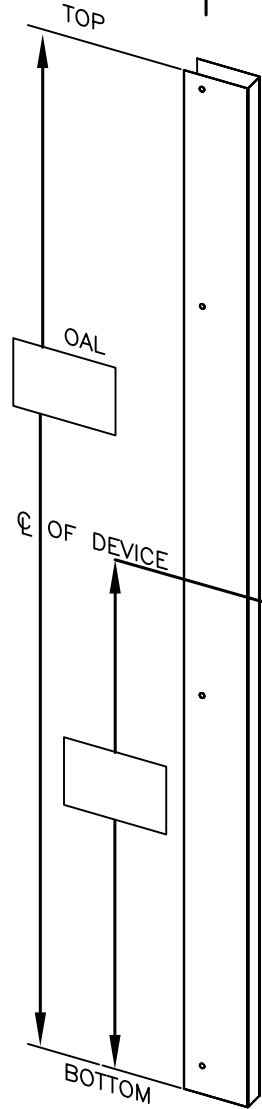
YES NO OUTSIDE TRIM YES NO

Square RHR Square LHR

RHR **DOUBLE EGRESS** LHR
Mark Outside Trim Above

LATCH BRACKETS
 NONE
 TOP ONLY
 TOP & BOTTOM
1-3/4" Door ONLY

MODEL #276
SERIES 6200CV(F)
AS SHOWN
B/S 2-3/4"



OUTSIDE TRIM

- 629LPEKFH/ 6EN Esc. Trim
- 629LPEKXEH Esc. Trim
- 6EW Esc. Esc. Trim
- 629/6S Sectional Trim
- 629GPK/ 6GW05 GripTrim
- 629GPG/ 6GW02 Grip Trim
- 629PUK/ 6P01 Plate & Pull Trim

NON-LISTED TRIM
Template must accompany Order

8/3/16

ALL METAL STAMPING, INC., ABBOTSFORD, WI. 54405

715-223-6324

FAX: 715-223-3352

AMS USE ONLY

5" CHANNEL - Corbin Russwin Multi Point Lock For Single Swing Doors

CUSTOMER: _____ DOOR #: _____

P.O.: _____ DATE: _____

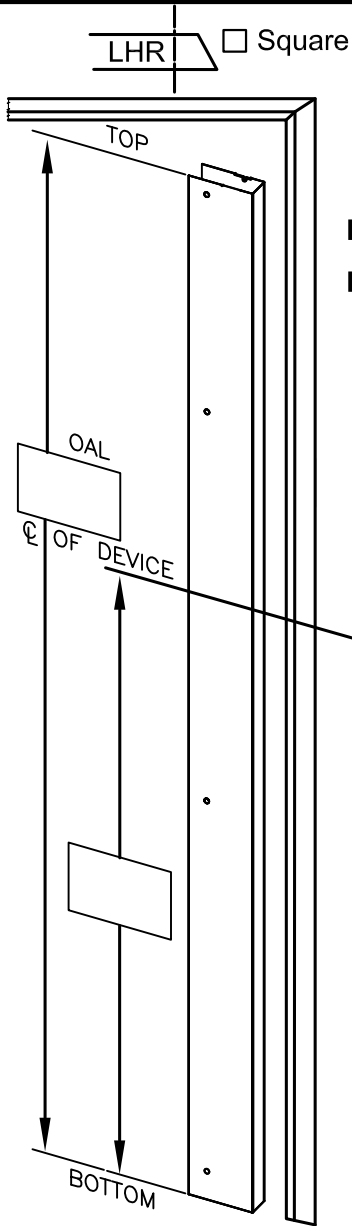
M.O.: _____

ACCESSORY ITEM #: _____

DOOR ITEM: _____ DRAWN BY: _____ DATE: _____

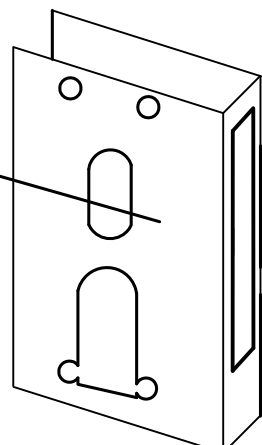
DATE REQ.: _____

- Std. Beige Special Color: _____ No Paint
- 1-3/4" Door 1-13/16" Door 2-1/4" Door Veneer: _____
- Other _____ 20 GA. Galv. (Std.) Other _____



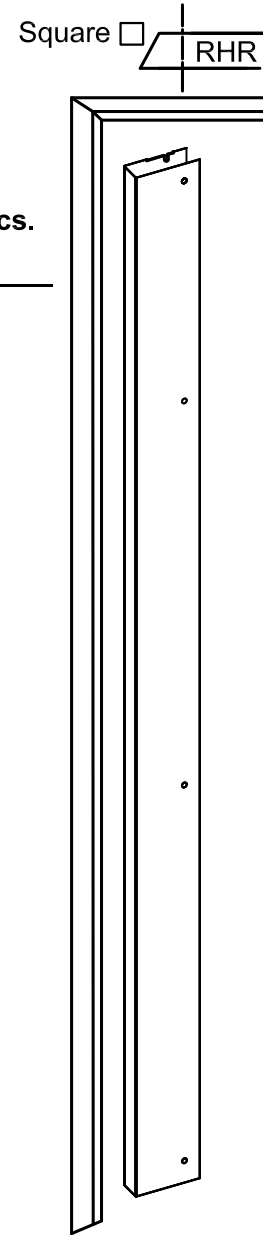
No. of Pcs. No. of Pcs.
LHR _____ RHR _____

Secured Side of Door



Wide Side. Key Side of Door.

MODEL #277.5
SERIES FE6800
AS SHOWN
B/S 2-3/4"



OPTIONS

Secured Side

FE6855 Classroom

Unsecured Side

FE6810 Passage or Closet

FE6880 Lever with Blank Plate

NON-LISTED OPTION
Template must accompany Order

FE6855 Classroom

FE6810 Passage or Closet

FE6880 Lever with Blank Plate

8/3/16

ALL METAL STAMPING, INC., ABBOTSFORD, WI. 54405

715-223-6324

FAX: 715-223-3352

AMS USE ONLY

5" CHANNEL - Corbin Russwin Multi Point Lock For Single Swing Doors

CUSTOMER: _____ DOOR #: _____

P.O.: _____ DATE: _____

M.O.: _____

ACCESSORY ITEM #: _____

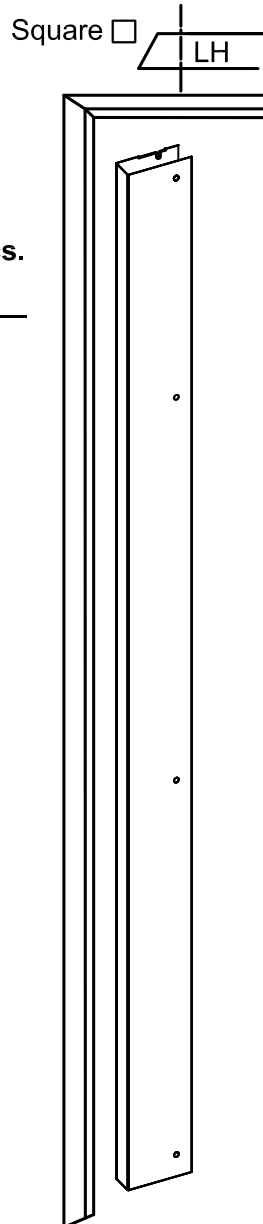
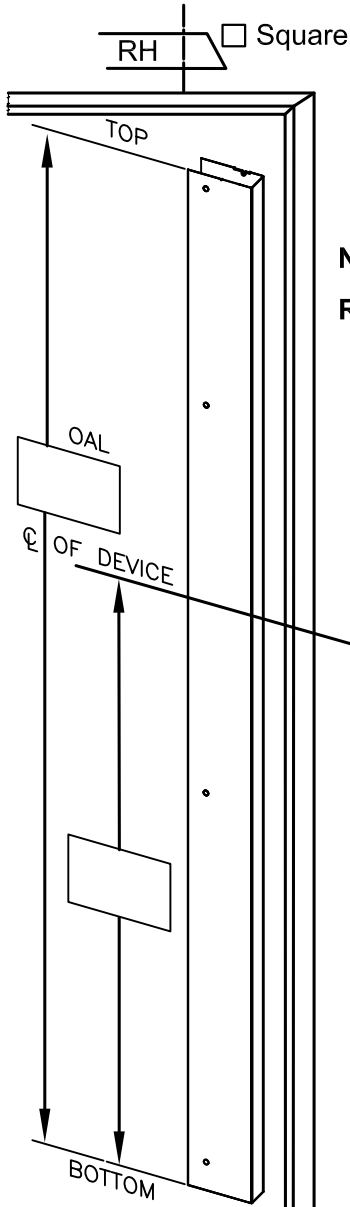
DOOR ITEM: _____ DRAWN BY: _____ DATE: _____

DATE REQ.: _____

Std. Beige Special Color: _____ No Paint

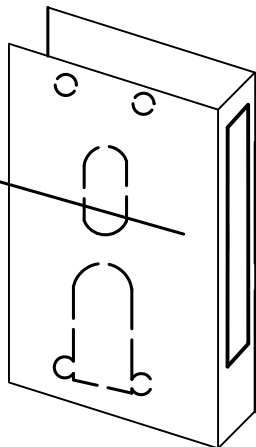
1-3/4" Door 1-13/16" Door 2-1/4" Door
 Other _____

Veneer: _____
 20 GA. Galv. (Std.) Other _____



No. of Pcs. No. of Pcs.
RH _____ LH _____

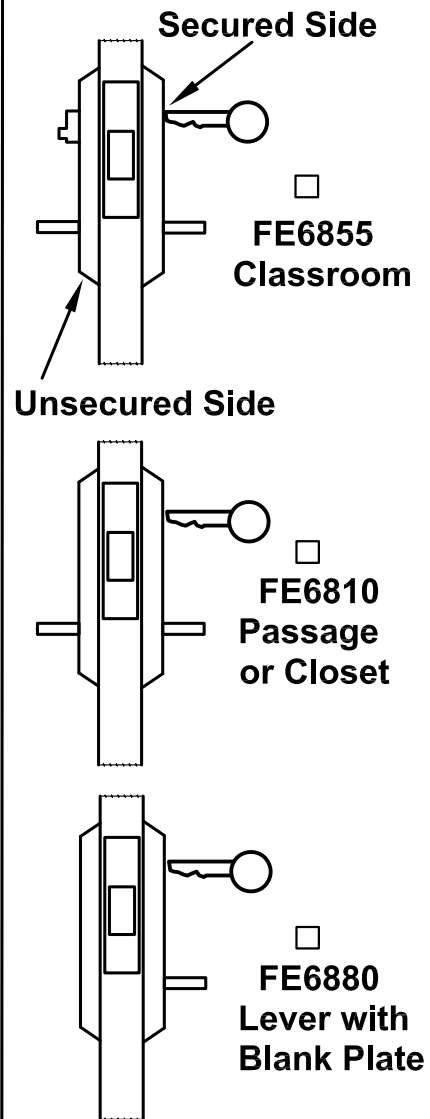
Unsecured Side of Door



Wide Side. Non-keyed Side of Door.

MODEL #277.5
SERIES FE6800
AS SHOWN
B/S 2-3/4"

OPTIONS



NON-LISTED OPTION
Template must accompany Order

#250 DOOR EDGE w/5" LEGS - LH/RHR ACTIVE

CUSTOMER: _____

DOOR #: _____

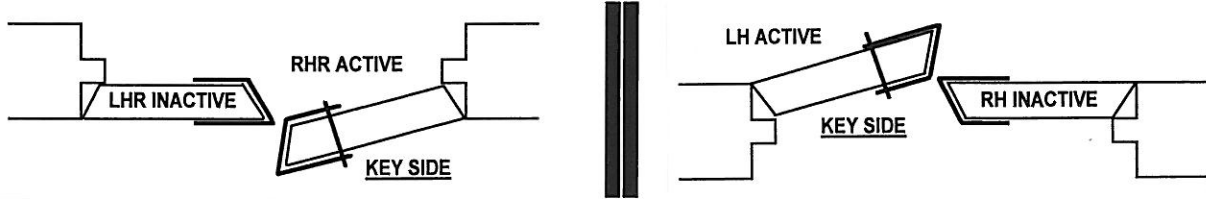
P.O.: _____ DATE: _____

M.O.: _____

ACCESSORY ITEM #: _____ DOOR ITEM: _____

NO. of SETS REQ.: _____ DATE REQ.: _____ DRAWN BY: _____ DATE: _____

STD. BEIGE SPECIAL COLOR: _____ NO PAINT VENEER: _____



SQUARE ←----- MARK FOR SQUARE CHANNEL -----> SQUARE

DOOR SIZE:

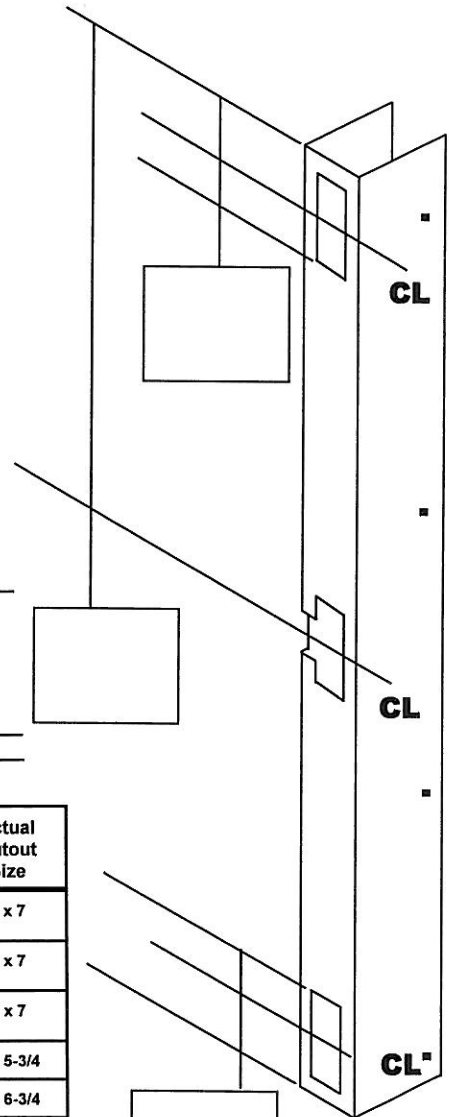
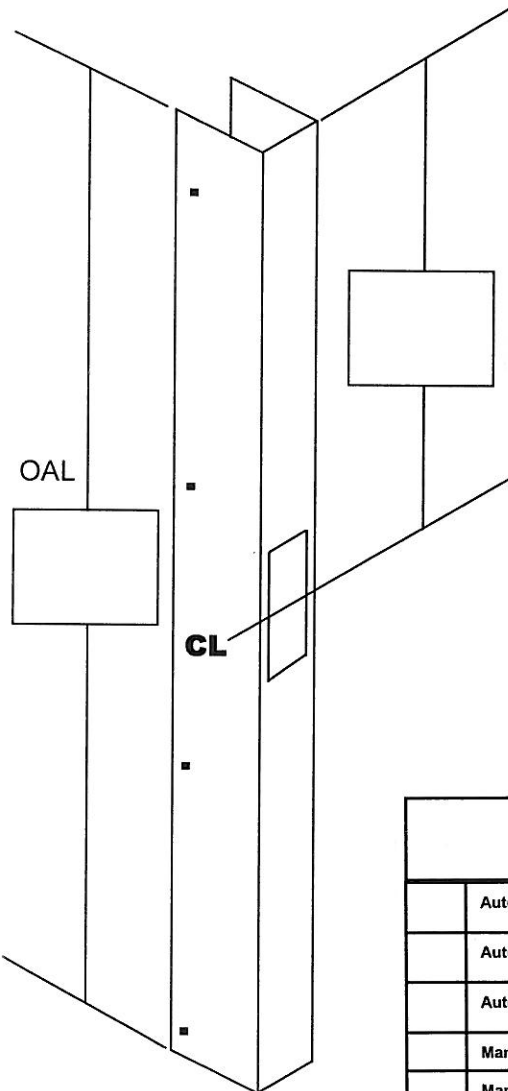
- 1-3/4"
- 1-13/16"
- 2-1/4"
- _____
OTHER

LOCK

- 1-1/8 X 2-1/4
- 1-1/4 X 8
- TEMPLATE # _____

STRIKE

- 4-7/8 X 1-1/4 w/3-3/8 LIP
- 2-3/4 X 1-1/8 w/1-1/2 LIP
- TEMPLATE # _____



FLUSHBOLTS			Actual Cutout Size
Auto. 356	1 x 8-1/8 w/1/4 radius		1 x 7
Automatic	1 x 8-1/2 w/1/4 radius		1 x 7
Automatic	1 x 9 w/1/4 radius		1 x 7
Manual 358	1 x 6-3/4 w/sq. corners		1 x 5-3/4
Manual	1 x 6-3/4 w/sq. 12",24",etc. rod		1 x 6-3/4
Other			

#250 DOOR EDGE w/5" LEGS - RH/LHR ACTIVE

CUSTOMER: _____

DOOR #: _____

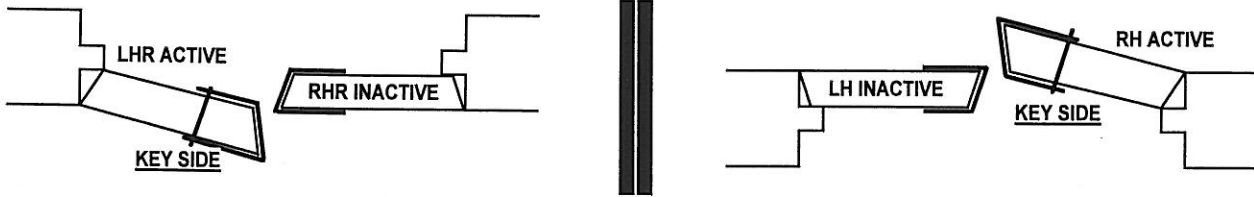
P.O.: _____ DATE: _____

M.O.: _____

ACCESSORY ITEM #: _____ DOOR ITEM: _____

NO. of SETS REQ.: _____ DATE REQ.: _____ DRAWN BY: _____ DATE: _____

STD. BEIGE SPECIAL COLOR: _____ NO PAINT VENEER: _____



SQUARE ←----- MARK FOR SQUARE CHANNEL -----> SQUARE

DOOR SIZE:

1-3/4"

1-13/16"

2-1/4"

_____ OTHER _____

LOCK

1-1/8 X 2-1/4

1-1/4 X 8

TEMPLATE # _____

STRIKE

4-7/8 X 1-1/4 w/3-3/8 LIP

2-3/4 X 1-1/8 w/1-1/2 LIP

TEMPLATE # _____

FLUSHBOLTS		Actual Cutout Size
Auto. 356	1 x 8-1/8 w/1/4 radius	1 x 7
Automatic	1 x 8-1/2 w/1/4 radius	1 x 7
Automatic	1 x 9 w/1/4 radius	1 x 7
Manual 358	1 x 6-3/4 w/sq. corners	1 x 5-3/4
Manual	1 x 6-3/4 w/sq. 12", 24", etc. rod	1 x 6-3/4
Other		

1/1/2023

ALL METAL STAMPING, INC., ABBOTSFORD, WI. 54405

715-223-6324

FAX: 715-223-3352

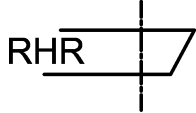
AMS USE ONLY

5" CHANNEL - FIRE PINS for CVR's

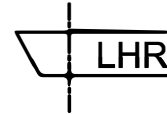
CUSTOMER: _____

P.O.: _____ DATE: _____

DRAWN BY: _____ DATE: _____



RHR **DOUBLE EGRESS** LHR



Fire Pin Holes are clearance holes ONLY.

We will make both holes the dimension of the largest hole specified.

For 1" & 7/8" holes specified
We will make both holes 1" dia.

For 5/8" & 9/16" holes specified
We will make both holes 5/8" dia.

