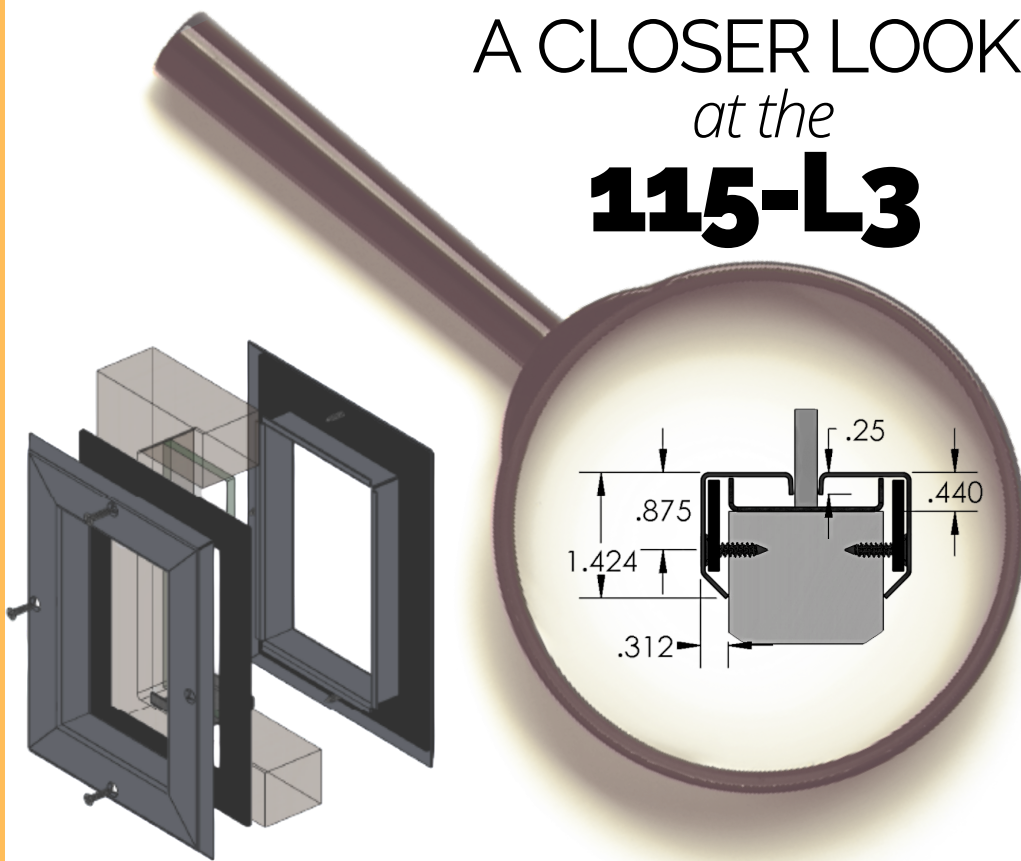


# A CLOSER LOOK at the **115-L3**



## WHY CHOOSE THE L3?



### Easy, 1-Person Installation

Fasten one half of the frame to the door. Place the glass & secure the other half, DONE!



### Location of Lead

Protection is not limited by the orientation of lead in the door.



### Wider Pocket, More Versatility

A pocket range of 1/4" - 1-7/16" allows the L3 to perform in a variety of applications.



### Cost-Saving Benefits

Based on a cost comparison, customers saved an average of 10% when choosing the L3 vs the L2.



Get an even  
**CLOSER LOOK**

at how the **L3** can save YOU money-

**Contact us** for a quote today!



[ams@allmetalstamping.com](mailto:ams@allmetalstamping.com)



[allmetalstamping.com](http://allmetalstamping.com)



715.223.6324

